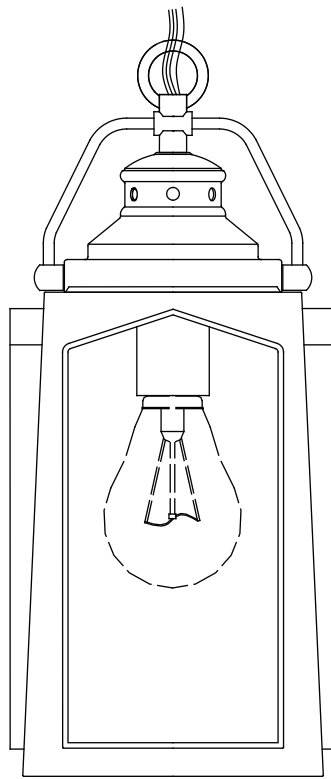


USE AND CARE GUIDE

1-LIGHT OUTDOOR PENDANT



Questions, problems, missing parts? Before returning to the store,
call Home Decorators Collection Customer Service
8 a.m. - 7 p.m., EST, Monday - Friday, 9 a.m. - 6 p.m., EST, Saturday

1-800-986-3460

HOMEDEPOT.COM/HOMEDECORATORS

THANK YOU

We appreciate the trust and confidence you have placed in Home Decorators Collection through the purchase of this 1-light outdoor pendant. We strive to continually create quality products designed to enhance your home. Visit us online to see our full line of products available for your home improvement needs. Thank you for choosing Home Decorators Collection!

Table of Contents

Table of Contents.....	2	Tools Required.....	3
Safety Information.....	2	Hardware Included.....	3
Warranty.....	2	Package Contents.....	4
What is Covered.....	2	Installation.....	5
What is Not Covered.....	2	Care and Cleaning.....	7
Pre-installation.....	3	Troubleshooting.....	7
Planning Installation.....	3		

Safety Information



WARNING: Carefully read and understand the information given in this manual before beginning the assembly and installation of the product. Failure to do so could lead to electric shock, fire, or other injuries which could be hazardous or even fatal.

NOTICE:

Suitable for wet locations.



WARNING: Be sure the electricity to the wires you are working on is shut off. Either remove the fuse or turn off the circuit breaker.

NOTICE: The luminaires shall be installed by a qualified electrician or person who is familiar with the luminaires.

NOTICE: Changes or modifications not expressly approved by the party responsible for compliance could void the user's authority to operate the product.

Warranty

WHAT IS COVERED

The manufacturer warrants this lighting fixture to be free from defects in materials and workmanship for a period of five (5) years from date of purchase. This warranty applies only to the original consumer purchaser and only to products used in normal use and service. If this product is found to be defective, the manufacturer's only obligation, and your exclusive remedy, is the repair or replacement of the product at the manufacturer's discretion, provided that the product has not been damaged through misuse, abuse, accident, modifications, alterations, neglect, or mishandling.

WHAT IS NOT COVERED

This warranty shall not apply to any product that is found to have been improperly installed, set-up, or used in any way not in accordance with the instructions supplied with the product. This warranty shall not apply to a failure of the product as a result of an accident, misuse, abuse, negligence, alteration, faulty installation, or any other failure not relating to faulty material or workmanship. This warranty shall not apply to the finish on any portion of the product, such as surface discoloration and/or weathering, as this is considered normal wear and tear.

The manufacturer does not warrant and specifically disclaims any warranty, whether express or implied, of fitness for a particular purpose, other than the warranty contained herein. The manufacturer specifically disclaims any liability and shall not be liable for any consequential or incidental loss or damage, including but not limited to any labor/expense costs involved in the replacement or repair of said product.

Contact the Customer Service Team at 1-800-986-3460 or visit HOMEDEPOT.COM/HOMEDECORATORS.

Pre-Installation

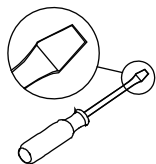
PLANNING INSTALLATION

Read all instructions before installation. Before starting the installation of this fixture or the removal of a previous fixture, disconnect the power by turning off the circuit breaker or by removing the fuse at the fuse box. To avoid damaging this product, assemble it on a soft, non-abrasive surface such as carpet or cardboard.



NOTE: Keep your receipt and these instructions for proof of purchase.

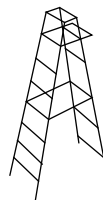
TOOLS REQUIRED



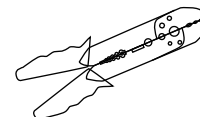
Flathead Screwdriver



Phillips Screwdriver



Ladder



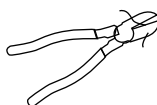
Wire Strippers



Pliers



Electrical Tape



Wire Cutters

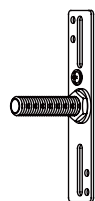


Safety Glasses

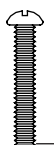
HARDWARE INCLUDED



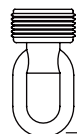
NOTE: Hardware not shown to actual size.



AA



BB



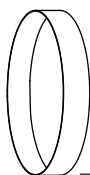
CC



DD



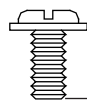
EE



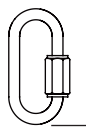
FF



GG



HH

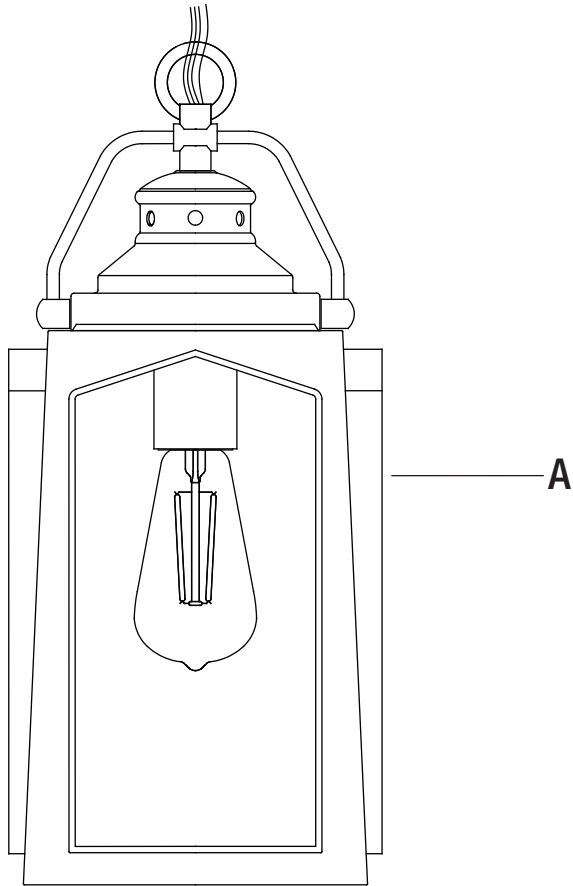


II

Part	Description	Quantity
AA	Cross Bar	1
BB	Outlet Box Screw	2
CC	Screw Collar Loop (preassembled to Cross Bar (AA))	1
DD	Ring (preassembled to Cross Bar (AA))	1
EE	Chain	1
FF	Canopy	1
GG	Wire Connector	3
HH	Ground Screw	1
II	Quick Link (attached to each end of the Chain (EE))	2

Pre-Installation (continued)

PACKAGE CONTENTS

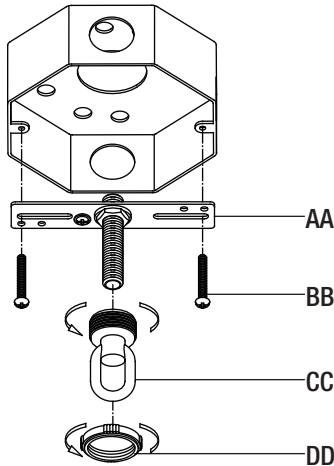


Part	Description	Quantity
A	Fixture	1

Installation

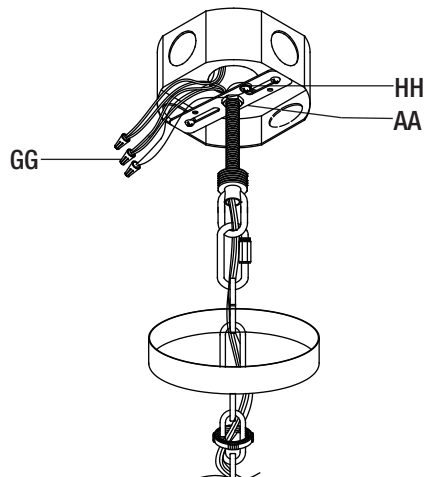
1 Attaching the cross bar to the outlet box

- Remove the Ring (DD) and the Screw Collar Loop (CC) from the preassembled threaded nipple on the Cross Bar (AA).
- Mount the Cross Bar (AA) to the outlet box (not included) using the two Outlet Box Screws (BB).



3 Connecting the electrical wires

- Wrap the ground wire from the fixture around the Ground Screw (HH) on the Cross Bar (AA).
- Connect the ground wire from the fixture to the ground wire from the outlet box.
- Connect the smooth wire (marked) from the fixture to the black supply wire.
- Connect the ridged wire (unmarked) from the fixture to the white supply wire.
- Cover the three connections using the three Wire Connectors (GG). Wrap the three wire connections with electrical tape for a more secure connection.
- Position the wires back inside the outlet box.

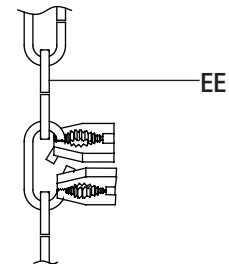


2 Attaching the chain

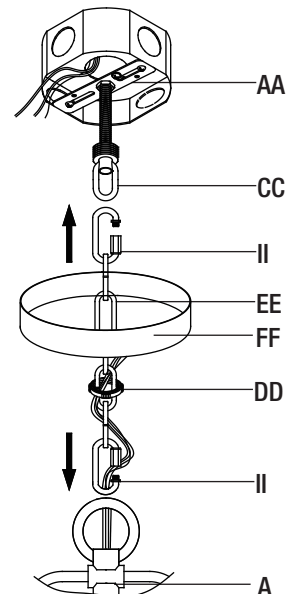
- Attach the Screw Collar Loop (CC) to the threaded nipple of the Cross Bar (AA).
- Shorten the Chain (EE) length to the desired hanging length by using pliers (not included) to pull open the chain link at each end of the section of Chain (EE) to be removed.
- Unlink each end of the unwanted section from the Chain (EE) by unhooking the opened link from the remaining Chain (EE).
- Use the open chain link on the end of the remaining Chain (EE), relink it by hooking it to the end of the Chain (EE) attached to the fixture, and use pliers to reclose the opened chain link.



NOTE: If adjusting the chain length, consider using a soft cloth between the pliers and the chain links to avoid damaging the finish of the Chain (EE). The top and bottom Quick Link (II) of Chain (EE) are required.



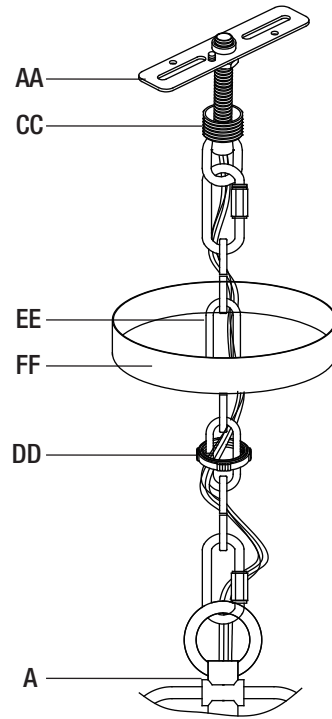
- Pass the Chain (EE) through the Canopy (FF) and the Ring (DD).
- Attach one end of the Chain (EE) to the Screw Collar Loop (CC) using the Quick Link (II).
- Weave the fixture wire and the fixture ground wire from the Fixture (A) through the Quick Link (II), the Chain (EE), the Ring (DD), the Canopy (FF), the Quick Link (II), the Screw Collar Loop (CC), and the threaded nipple on the Cross Bar (AA).
- Attach the bottom end of the Chain (EE) to the Fixture (A) using the Quick Link (II).



Installation (continued)

4 Securing the canopy

- Tighten the Ring (DD) onto the Screw Collar Loop (CC) to secure the Canopy (FF) over the Cross Bar (AA).

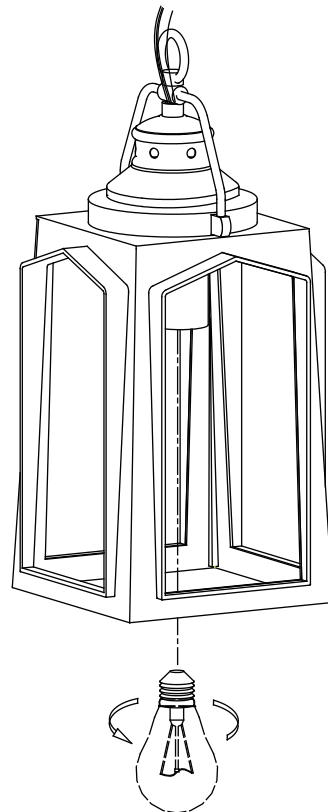


5 Installing the bulb

- Screw the bulb (not included) into the socket.



NOTE: Use 60-watt max. medium-base bulbs or equivalent energy-saving bulbs (sold separately).



Care and Cleaning

- Clean the fixture with a soft, dry cloth.
- Do not use any cleaners with chemicals, solvents or harsh abrasives.



CAUTION: Before attempting to clean the fixture, disconnect the power to the fixture by turning the breaker off or removing the fuse from the fuse box.

Troubleshooting

Problem	Possible cause	Solution
The fixture will not light.	The power is off.	Ensure the power supply is On.
	The circuit breaker is off.	Ensure the circuit breaker is in the On position.
The fuse blows or the circuit breaker trips when the light is turned on.	The wires are crossed or the power wire is grounding out.	Check the wire connections. Contact a qualified electrician or call the Customer Service Team at 1-800-986-3460.

HOME DECORATORS COLLECTION

Questions, problems, missing parts? Before returning to the store,
call Home Decorators Collection Customer Service
8 a.m. - 7 p.m., EST, Monday - Friday, 9 a.m. - 6 p.m., EST, Saturday

1-800-986-3460

HOMEDEPOT.COM/HOMEDECORATORS

Retain this manual for future use.