

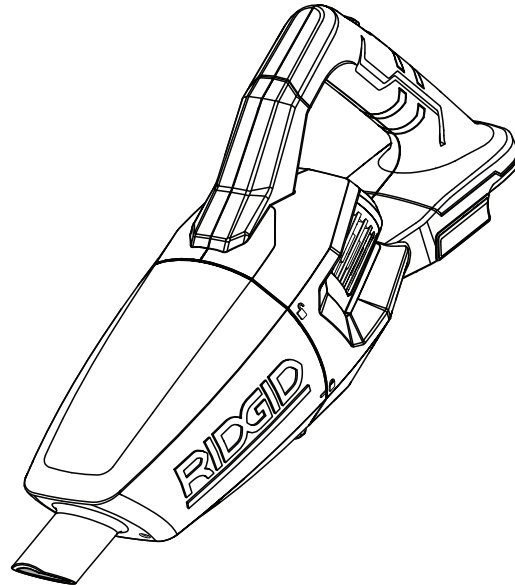


OPERATOR'S MANUAL

MANUEL D'UTILISATION MANUAL DEL OPERADOR

18 VOLT HAND VAC ASPIRATEUR À MAIN 18 V ASPIRADORA DE MANO 18 V

R860902



To register your RIDGID® product, please visit:
<http://register.RIDGID.com>

Pour enregistrer votre produit de RIDGID®, s'il vous plaît la visite :
<http://register.RIDGID.com>

Para registrar su producto de RIDGID®, por favor visita:
<http://register.RIDGID.com>

TABLE OF CONTENTS

- Important Safety Instructions2-3
- Symbols..... 4
- Assembly5
- Operation.....5-6
- Maintenance.....6
- Illustrations 7
- Parts Ordering/ServiceBack page

TABLE DES MATIÈRES

- Instructions importantes concernant la sécurité2-3
- Symboles..... 4
- Assemblage.....5
- Utilisation.....5-6
- Entretien6
- Illustrations 7
- Commande de pièces/dépannagePage arrière

ÍNDICE DE CONTENIDO

- Importantes instrucciones de seguridad2-3
- Símbolos 4
- Armado.....5
- Funcionamiento.....5-6
- Mantenimiento.....6
- Ilustraciones 7
- Pedidos de repuestos/servicio..... Pág. posterior

⚠ WARNING:

To reduce the risk of injury, the user must read and understand the operator's manual before using this product.

⚠ AVERTISSEMENT :

Pour réduire les risques de blessures, l'utilisateur doit lire et veiller à bien comprendre le manuel d'utilisation avant d'utiliser ce produit.

⚠ ADVERTENCIA:

Para reducir el riesgo de lesiones, el usuario debe leer y comprender el manual del operador antes de usar este producto.

SAVE THIS MANUAL FOR FUTURE REFERENCE

CONSERVER CE MANUEL POUR FUTURE RÉFÉRENCE

GUARDE ESTE MANUAL PARA FUTURAS CONSULTAS

IMPORTANT SAFETY INSTRUCTIONS

SAVE THESE INSTRUCTIONS

When using an electrical appliance, basic precautions should always be followed, including the following:

WARNING!

READ AND UNDERSTAND ALL INSTRUCTIONS. Failure to follow all instructions listed below, may result in electric shock, fire and/or serious personal injury.

READ ALL INSTRUCTIONS BEFORE USING THIS APPLIANCE

WARNING:

To reduce the risk of electric shock **DO NOT** expose to rain. Store indoors.




- **Do not** use without dust bowl or filter in place.
 - **Use extra care when using on stairs.**
 - **Do not** use to pick up hard objects such as nails, screws, coins, etc. Damage or injury could result.
 - **Do not** incinerate this appliance even if it is severely damaged. The batteries can explode in a fire.
 - **Hand vac does not have to be plugged into an electrical outlet, therefore it is always in operating condition.** Be aware of possible hazards when using the hand vac or when changing accessories.
 - **Use this product only with batteries and chargers listed in tool/appliance/battery pack/charger correlation supplement 988000-302.**
 - **When battery pack is not in use, keep it away from other metal objects like: paper clips, coins, keys, nails, screws, or other small metal objects that can make a connection from one terminal to another.** Shorting the battery terminals together may cause sparks, burns, or a fire.
 - **Always remove battery pack from your tool when you are assembling parts, making adjustments, cleaning, or when not in use.** Removing battery pack will prevent accidental starting that could cause serious personal injury.
 - **Do not use a battery pack that is damaged or modified.** Damaged or modified batteries may exhibit unpredictable behavior resulting in fire, explosion or risk of injury.
 - **Do not modify or attempt to repair a battery pack that has been damaged.**
 - **Batteries can explode in the presence of a source of ignition, such as excessive heat or a pilot light.** To reduce the risk of serious personal injury, never use any cordless product in the presence of an open flame or temperature above 265°F. An exploded battery can propel debris and chemicals. If exposed, flush with water immediately.
 - **Prevent unintentional starting. Ensure the switch is in the off-position before connecting to power source and/or battery pack, picking up or carrying the product.** Carrying battery products with your finger on the switch or energizing battery products that have the switch on invites accidents.
 - **Under abusive conditions, liquid may be ejected from the battery; avoid contact. If contact accidentally occurs, flush with water. If liquid contacts eyes, additionally seek medical help.** Liquid ejected from the battery may cause irritation or burns.
- **Dress properly. Do not wear loose clothing or jewelry. Contain long hair. Keep your hair, loose clothing, fingers, and all parts of the body and clothing, away from openings and moving parts.** Loose clothes, jewelry, or long hair can be caught in internal moving parts.
 - **Do not overreach. Keep proper footing and balance at all times.** Proper footing and balance enables better control of the hand vac in unexpected situations. Do not use on a ladder or unstable support.
 - **Use safety equipment.** Dust mask must be used for appropriate conditions.
 - **Do not** allow children to operate hand vac or play with hand vac as a toy. Close attention is necessary when used by or near children.
 - **Use this hand vac ONLY for its intended use as described in this manual.** Use only the attachments recommended in this manual.
 - **If hand vac is not working properly, has been dropped, damaged, left outdoors, or dropped into water, return to your nearest service center.**
 - **Do not** handle charger plug or hand vac with wet hands.
 - **Do not** put any objects in ventilation openings. Do not use with any opening blocked. Keep openings free of dust, lint, hair, and anything that may reduce air flow.
 - **NEVER** vacuum materials that are burning or smoking, such as hot coals, cigarette butts, matches, burning or smoking ashes, etc.
 - **DO NOT** use to pick up flammable or combustible liquids, such as gasoline, or use in areas where they may be present.

IMPORTANT SAFETY INSTRUCTIONS







- **Protect your lungs. Wear a face or dust mask if the operation is dusty.** Following this rule will reduce the risk of serious personal injury.
- **Check for misalignment or binding of moving parts, breakage of parts, and any other condition that may affect the hand vac's operation. If damaged, have the hand vac serviced before using.** Many accidents are caused by poorly maintained hand vacs.
- **Use only accessories that are recommended by the manufacturer for your model.** Accessories that may be suitable for one hand vac may create a risk of injury when used on another hand vac.
- **Do not let gasoline, oils, petroleum-based products, etc., come in contact with plastic parts.** They contain chemicals that can damage, weaken, or destroy plastic.
- **Have servicing performed by a qualified repair person using only identical replacement parts.** This will ensure that the safety of the product is maintained.
- **This product contains no serviceable parts.**
- **Save these instructions. Refer to them frequently and use them to instruct others who may use this hand vac. If you loan someone this hand vac, loan them these instructions also.**

SYMBOLS

The following signal words and meanings are intended to explain the levels of risk associated with this product.

SYMBOL	SIGNAL	MEANING
	DANGER:	Indicates a hazardous situation, which, if not avoided, will result in death or serious injury.
	WARNING:	Indicates a hazardous situation, which, if not avoided, could result in death or serious injury.
	CAUTION:	Indicates a hazardous situation, that, if not avoided, may result in minor or moderate injury.
	NOTICE:	(Without Safety Alert Symbol) Indicates information considered important, but not related to a potential injury (e.g. messages relating to property damage).

Some of the following symbols may be used on this product. Please study them and learn their meaning. Proper interpretation of these symbols will allow you to operate the product better and safer.

SYMBOL	NAME	DESIGNATION/EXPLANATION
	Safety Alert	Indicates a potential personal injury hazard.
	Read Operator's Manual	To reduce the risk of injury, user must read and understand operator's manual before using this product.
	Wet Conditions Alert	Do not expose to rain or use in damp locations.
	Long Hair	Risk of long hair being drawn into air inlet.
	Dust Bowl	Do not run unit while dust bowl is unsecured.
	Recycle Symbol	This product uses lithium-ion (Li-ion) batteries. Local, state or federal laws may prohibit disposal of batteries in ordinary trash. Consult your local waste authority for information regarding available recycling and/or disposal options.
V	Volts	Voltage
min	Minutes	Time
—	Direct Current	Type or a characteristic of current
n_0	No Load Speed	Rotational speed, at no load
.../min	Per Minute	Revolutions, strokes, surface speed, orbits etc., per minute

ASSEMBLY

WARNING:

Do not use this product if it is not completely assembled or if any parts appear to be missing or damaged. Use of a product that is not properly and completely assembled or with damaged or missing parts could result in serious personal injury.

WARNING:

Do not attempt to modify this product or create accessories or attachments not recommended for use with this product. Any such alteration or modification is misuse and could result in a hazardous condition leading to possible serious personal injury.

If any parts are damaged or missing, please call 1-866-539-1710 for assistance.

OPERATION

WARNING:

Do not allow familiarity with this product to make you careless. Remember that a careless fraction of a second is sufficient to inflict serious injury.

WARNING:

Always remove battery pack from the tool when you are assembling parts, making adjustments, cleaning, or when not in use. Removing battery pack will prevent accidental starting that could cause serious personal injury.

WARNING:

Do not use any attachments or accessories not recommended by the manufacturer of this product. The use of attachments or accessories not recommended can result in serious personal injury.

APPLICATIONS

You may use this product for the following purpose:

- Light-duty vacuuming of dry surfaces
- Household cleaning

INSTALLING/REMOVING BATTERY PACK

See Figure 1, page 7.

- Place the battery pack in the hand vac. Align the raised ribs on the battery pack with grooves in hand vac's battery port.
- Make sure the latches on each side of the battery pack snap in place and that the battery pack is secured in the hand vac before beginning operation.
- Locate the latches on the side of the battery pack and depress both sides to release the battery pack from the hand vac.

STARTING/STOPPING THE VACUUM

See Figure 2, page 7.

- **To start the vacuum:** slide the ON/OFF switch up until ON is displayed.
- **To stop the vacuum:** slide the ON/OFF switch down until OFF is displayed.

REMOVING/REATTACHING THE DUST BOWL

See Figure 3, page 8.

The dust bowl should be checked, emptied, and cleaned periodically for maximum dust collection.

NOTE: For best results, always empty the dust bowl before vacuuming.

To remove:

- Remove the battery pack.
- Twist the dust bowl counterclockwise until the line sits at the UNLOCK icon to release the lock. Pull the dust bowl forward to remove it.

To reattach:

- Align the raised tabs on the dust bowl with the slots on the body of the vacuum, then push the two sections together.

NOTE: Make sure the air filter assembly is securely attached in the vacuum housing. The air filter assembly must be correctly in place for the vacuum to operate.

- Turn the dust bowl clockwise until the line sits at the LOCK icon. The lock will catch and secure the dust bowl.

USING THE ATTACHMENTS

See Figure 4, page 8.

- Remove the battery pack.
- Insert the attachment onto the opening of the vacuum port, making sure the attachment is firmly in place.
- To remove, pull attachment from vacuum.

OPERATION

The vacuum attachments are designed for the following applications:

- The floor nozzle is used to vacuum large flat dry surfaces.

- The extension tube is used as an extension to any of the attachments.
- The crevice nozzle is used to vacuum narrow, hard to reach places.

MAINTENANCE

This product contains no serviceable parts.

GENERAL MAINTENANCE

Avoid using solvents when cleaning plastic parts. Most plastics are susceptible to damage from various types of commercial solvents and may be damaged by their use. Use clean cloths to remove dirt, dust, oil, grease, etc.

WARNING:

Do not at any time let brake fluids, gasoline, petroleum-based products, penetrating oils, etc., come in contact with plastic parts. Chemicals can damage, weaken or destroy plastic which could result in serious personal injury.

CLEANING/REPLACING THE FILTER

See Figure 5-6, page 8.

Clean the air filter assembly periodically to maintain best performance of the vacuum. If you notice a reduction in suction power or a change in the sound of the unit during use, the air filter assembly should also be cleaned.

To clean the air filter assembly:

- Remove the battery pack.
 - Remove the dust bowl.
 - Remove the pre-filter screen from the body of the vacuum. Twist counterclockwise to release it from the housing slots.
 - Remove the air filter by pulling it straight off the filter frame.
 - Shake or lightly brush any dust off both the screen and the filter. Rinse if necessary.
 - Empty the dust bowl; rinse if necessary.
 - Once the filter and screen are completely dry, place the filter back into place.
 - Insert the pre-filter screen over the filter in the housing. Turn clockwise to secure it in the notches.
- NOTE:** Make sure the tab on top of the pre-screen filter seats in the opening in the vacuum housing. The air filter assembly must be correctly in place for the vacuum to operate.
- Reinstall dust bowl.

**NOTE: ILLUSTRATIONS BEGIN ON PAGE 7
AFTER FRENCH AND SPANISH LANGUAGE SECTIONS.**

**This product has a 90-Day Satisfaction Guarantee Policy,
as well as a Three-year Limited Warranty.
For Warranty and Policy details, please go to
www.RIDGID.com or call (toll free) 1-866-539-1710.**

INSTRUCTIONS IMPORTANTES CONCERNANT LA SÉCURITÉ

CONSERVER CES INSTRUCTIONS

L'utilisation d'un appareil électrique demande d'observer en tout temps des précautions élémentaires, dont celles-ci :

AVERTISSEMENT !

LIRE ATTENTIVEMENT TOUTES LES INSTRUCTIONS. Le non-respect de toutes les instructions ci-dessous peut entraîner un choc électrique, un incendie et/ou des blessures graves.

LIRE TOUTES LES INSTRUCTIONS AVANT D'UTILISER CET APPAREIL

AVERTISSEMENT :

Pour réduire le risque de choc électrique, **NE PAS** exposer l'appareil à la pluie. L'entreposer à l'intérieur.




- **Ne pas** insérer dans les ouïes d'aération. Ne pas utiliser si des ouvertures sont obstruées. Veiller à ce que les ouvertures ne soient jamais obstruées par de la poussière, de la peluche, des cheveux ou quoi que ce soit risquant de réduire le flux d'air.
- **NE JAMAIS** utiliser l'aspirateur pour ramasser des charbons ardents, des mégots de cigarettes, des allumettes, des cendres brûlantes ou fumantes, etc.
- **NE PAS** utiliser l'appareil pour aspirer des liquides inflammables ou combustibles comme de l'essence ou dans des endroits où de tels produits peuvent se trouver.
- **Ne pas** utiliser l'aspirateur sans la coupe à poussière et le filtre.
- **Redoubler de prudence lors de l'utilisation dans des escaliers.**
- **Ne pas** aspirer des objets durs tels que clous, vis, pièces de monnaie, etc. ce qui pourrait entraîner des blessures.
- **Ne pas** incinérer cet appareil, même s'il est fortement endommagé. Les piles peuvent exploser si elles sont jetées au feu.
- **Un aspirateur à main sans fil n'ayant pas besoin d'être branché sur une prise secteur, il est toujours en état de fonctionnement.** Tenir compte des dangers possibles pendant l'utilisation de l'aspirateur et du changement d'accessoire.
- **Utiliser ce produit seulement avec la piles et le chargeurs indiqués dans le supplément de raccordement pour chargeur/outils/piles/appareil n° 988000-302.**
- **Lorsque le bloc-piles n'est pas en usage, le tenir à l'écart d'articles métalliques tels que : les attaches trombones, pièces de monnaie, clés, clous, vis et autres petits objets métalliques risquant d'établir le contact entre les deux bornes.** La mise en court-circuit des bornes de piles peut causer des étincelles, des brûlures ou un incendie.
- **Toujours retirer le bloc-piles de l'outil au moment d'assembler des pièces, d'effectuer des réglages et de procéder au nettoyage, ou lorsque l'outil n'est pas utilisé.** Le fait de retirer le bloc-piles permet d'empêcher un démarrage accidentel pouvant entraîner des blessures graves.
- **Ne pas utiliser un bloc-piles endommagé ou modifié.** Le bris ou la modification du bloc-piles peut causer un comportement imprévisible et causer un incendie, une explosion ou des blessures.
- **Porter des vêtements appropriés. Ne porter ni vêtements amples ni bijoux. Confiner les cheveux longs. Garder les cheveux, les vêtements amples, les doigts ainsi que toutes les parties du corps et des vêtements à l'écart des ouvertures et des pièces en mouvement.** Les vêtements amples, bijoux et cheveux longs peuvent se prendre dans les pièces en mouvement.
- **Ne pas travailler hors de portée. Toujours se tenir bien campé et en équilibre.** Une bonne tenue et un bon équilibre permettent de mieux contrôler l'aspirateur à main en cas de situation imprévue. Ne pas utiliser le produit sur une échelle ou un support instable.
- **Utiliser l'équipement de sécurité.** Un masque filtrant doit être porté dans les environnements poussiéreux.
- **Ne pas** laisser les enfants utiliser l'aspirateur à main ou s'en servir comme un jouet. Porter une attention particulière lorsque des enfants se trouvent à proximité.
- **Utiliser cet aspirateur à main SEULEMENT pour les applications pour lesquelles il est conçu, selon les instructions de ce manuel.** Utiliser exclusivement les accessoires recommandés dans ce manuel.
- **Si l'aspirateur à main ne fonctionne pas correctement, est tombé, a été endommagé, laissé à l'extérieur ou immergé, le retourner au centre de réparations le plus proche.**
- **Ne pas** manipuler la prise du chargeur ou l'aspirateur avec des mains mouillées.

INSTRUCTIONS IMPORTANTES CONCERNANT LA SÉCURITÉ







- **Ne pas modifier ou tenter de réparer un bloc-piles ayant été endommagé.**
- **Les piles peuvent exploser en présence d'une source d'allumage comme une chaleur excessive ou une flamme d'allumage.** Afin de réduire les risques de blessures graves, ne jamais utiliser de produits sans fil en présence d'une flamme nue ou à une température supérieure à 129,4 °C (265 °F). Une pile qui explose peut projeter des débris et des produits chimiques. En cas d'exposition, rincer immédiatement avec de l'eau.
- **Éviter les démarrages accidentels. S'assurer que le commutateur est en position d'arrêt avant de brancher l'outil.** Porter un outil avec le doigt sur son commutateur ou brancher un outil dont le commutateur est en position de marche peut causer un accident.
- **En cas d'usage abusif, du liquide peut s'échapper des piles. Éviter tout contact avec ce liquide. En cas de contact accidentel, rincer immédiatement les parties atteintes avec de l'eau. En cas d'éclaboussure dans les yeux consulter un médecin.** Le liquide s'échappant des piles peut causer des irritations ou des brûlures.
- **Protection respiratoire. Porter un masque facial ou un masque anti-poussière si le travail produit de la poussière.** Le respect de cette règle réduira les risques de blessures graves.
- **Vérifier qu'aucune pièce mobile n'est mal alignée ou bloquée, qu'aucune pièce n'est brisée et s'assurer qu'aucun autre problème ne risque d'affecter le bon fonctionnement de l'outil. En cas de dommages, faire réparer l'outil avant de l'utiliser de nouveau.** Plusieurs accidents sont causés par des produits mal entretenus.
- **Utiliser exclusivement les accessoires recommandés par le fabricant pour le modèle d'outil.** Des accessoires appropriés pour un outil peuvent être dangereux s'ils sont utilisés avec un autre.
- **Ne jamais laisser de liquides tels que, l'essence, les produits à base de pétrole, les huiles pénétrantes, etc., entrer en contact avec les pièces en plastique.** Ces liquides contiennent chimiques susceptibles d'endommager, d'affaiblir ou de détruire le plastique.
- **Demander à un réparateur qualifié d'effectuer la réparation en utilisant des pièces de rechange identiques.** Ceci assurera la bonne sécurité du produit réparé.
- **Aucune pièce de ce produit ne peut être réparée par l'utilisateur.**
- **Conserver ces instructions. Les consulter fréquemment et les utiliser pour instruire les autres utilisateurs éventuels. Si cet aspirateur à main est prêté, il doit être accompagné de ces instructions.**

SYMBOLES

Les termes de mise en garde suivants et leur signification ont pour but d'expliquer le degré de risques associé à l'utilisation de ce produit.

SYMBOLE	SIGNAL	SIGNIFICATION
	DANGER :	Indique une situation dangereuse qui, si elle n'est pas évitée, aura pour conséquences des blessures graves ou mortelles.
	AVERTISSEMENT :	Indique une situation dangereuse qui, si elle n'est pas évitée, pourrait entraîner des blessures graves ou mortelles.
	ATTENTION :	Indique une situation dangereuse qui, si elle n'est pas évitée, pourrait entraîner des blessures légères ou de gravité modérée.
	AVIS :	(Sans symbole d'alerte de sécurité) Indique les informations jugées importantes sans toutefois représenter un risque de blessure (ex. : messages concernant les dommages matériels).

Certains des symboles ci-dessous peuvent être utilisés sur produit. Veiller à les étudier et à apprendre leur signification. Une interprétation correcte de ces symboles permettra d'utiliser produit plus efficacement et de réduire les risques.

SYMBOLE	NOM	DÉSIGNATION / EXPLICATION
	Symbole d'alerte de sécurité	Indique un risque de blessure potentiel.
	Lire manuel d'utilisation	Pour réduire les risques de blessures, l'utilisateur doit lire et veiller à bien comprendre le manuel d'utilisation avant d'utiliser ce produit.
	Avertissement concernant l'humidité	Ne pas exposer à la pluie ou l'humidité.
	Cheveux longs	Risque que les cheveux longs soient aspirés dans l'entrée d'air.
	Coupe à poussière	Ne pas actionner lorsque le coupe à poussière n'est pas verrouillé.
	Symbole de recyclage	Ce produit utilise les piles de lithium-ion (Li-ion). Les réglementations locales ou gouvernementales peuvent interdire de jeter les piles dans les ordures ménagères. Consulter les autorités locales compétentes pour les options de recyclage et/ou l'élimination.
V	Volts	Tension
min	Minutes	Temps
—	Courant continu	Type ou caractéristique du courant
n_0	Vitesse à vide	Vitesse de rotation à vide
.../min	Par minute	Tours, coups, vitesse périphérique, orbites, etc., par minute

ASSEMBLAGE

AVERTISSEMENT :

Ne pas utiliser le produit s'il n'est pas complètement assemblé ou si des pièces semblent manquantes ou endommagées. L'utilisation d'un produit dont l'assemblage est incorrect ou incomplet ou comportant des pièces endommagées ou absentes représente un risque de blessures graves.

AVERTISSEMENT :

Ne pas essayer de modifier cet outil ou de créer des pièces et accessoires non recommandés. De telles altérations ou modifications sont considérées comme un usage abusif et peuvent créer des conditions dangereuses, risquant d'entraîner des blessures graves.

Si des pièces manquent ou sont endommagées, veuillez appeler au 1-866-539-1710 pour obtenir de l'aide.

UTILISATION

AVERTISSEMENT :

Ne pas laisser la familiarité avec l'outil faire oublier la prudence. Ne pas oublier qu'une fraction de seconde d'inattention peut entraîner des blessures graves.

AVERTISSEMENT :

Toujours retirer la bloc-pile de l'outil au moment d'assembler des pièces, d'effectuer des réglages et de procéder au nettoyage, ou lorsque l'outil n'est pas utilisé. Si cette précaution n'est pas prise, des objets peuvent être projetés dans les yeux et causer des lésions graves.

AVERTISSEMENT :

Ne pas utiliser d'outils ou accessoires non recommandés par le fabricant pour cet outil. L'utilisation de pièces et accessoires non recommandés peut entraîner des blessures graves.

APPLICATIONS

Cet outil ne doit être utilisé que pour les applications listées ci-dessous.

- Nettoyage léger des surfaces sèches
- Nettoyage de domestique

INSTALLATION/RETRAIT DU BLOC-PILES

Voir la figure 1, page 7.

- Insérer le bloc-piles dans l'aspirateur. Aligner les nervures en saillie du bloc-piles sur les rainures du logement de l'aspirateur.
- S'assurer que ses deux loquets latéraux s'engagent correctement et vérifier que le bloc est solidement assujetti avant d'utiliser l'aspirateur.
- Appuyer sur les deux loquets se trouvant sur les côtés du bloc-piles pour le séparer de l'aspirateur..25

MISE EN MARCHÉ/ARRÊT DE L'ASPIRATEUR

Voir la figure 2, page 7.

- **Pour démarrer l'aspirateur :** Glisser l'interrupteur de MARCHÉ/ARRÊT jusqu'à ce que MARCHÉ s'affiche.
- **Pour arrêter l'aspirateur :** glisser l'interrupteur de MARCHÉ/ARRÊT jusqu'à ce qu'ARRÊT s'affiche.

RETRAIT/REMISE EN PLACE DE LA COUPE À POUSSIÈRE

Voir la figure 3, page 8.

La coupe à poussière doit être examinée, vidée et nettoyée régulièrement pour obtenir une efficacité maximum.

NOTE : Pour de meilleurs résultats, toujours vider le récipient à poussière avant de basculer le commutateur en position aspiration.

Pour les retirer :

- Retirer le bloc-pile.
- Tourner la coupe à poussière dans le sens antihoraire jusqu'à ce que la ligne repose sur l'icône de DÉVERROUILLAGE pour libérer le verrou. Tirer la coupe à poussière vers l'avant pour l'enlever.

Pour réinstallez :

- Aligner les languettes surélevées de la coupe à poussière sur les fentes du corps de l'aspirateur, puis pousser les deux sections ensemble.
NOTE : Vérifier que l'ensemble de filtre à air est bien attaché au boîtier de l'aspirateur. L'ensemble de filtre à air doit être correctement positionné pour que l'aspirateur fonctionne.
- Tourner la coupe à poussière dans le sens horaire jusqu'à ce que la ligne repose sur l'icône de VERROUILLAGE. Le verrou attrapera et sécurisera la coupe à poussière.

UTILISATION DES ACCESSOIRES

Voir la figure 4, page 8.

- Retirer le bloc-pile.
- Insérer l'accessoire dans l'orifice d'aspiration, en s'assurant qu'il est bien fixé.
- Pour le retirer, tirer l'accessoire de l'aspirateur.

UTILISATION

Les accessoires de l'aspirateur sont conçus pour les applications suivantes :

- Utiliser le suceur pour plancher pour passer l'aspirateur sur des surfaces étendues plates sèches.

- Le rallonge de tube sert d'extension pour n'importe quel accessoire de l'aspirateur.
- Le suceur plat étroit permet également de nettoyer des zones étroites difficiles d'accès.

ENTRETIEN

Aucune pièce de ce produit ne peut être réparée par l'utilisateur.

ENTRETIEN GÉNÉRAL

Éviter d'utiliser des solvants pour le nettoyage des pièces en plastique. La plupart des matières plastiques peuvent être endommagées par divers types de solvants du commerce. Utiliser un chiffon propre pour éliminer la saleté, la poussière, l'huile, la graisse, etc.

AVERTISSEMENT :

Ne jamais laisser de liquides tels que le fluide de freins, l'essence, les produits à base de pétrole, les huiles pénétrantes, etc., entrer en contact avec les pièces en plastique. Les produits chimiques peuvent endommager, affaiblir ou détruire le plastique, ce qui peut entraîner des blessures graves.

LIMPIE O REEMPLACE EL FILTRO

Voir la figure 6, page 8.

Nettoyer l'assemblage du filtre à air périodiquement pour maintenir la meilleure performance de l'aspirateur. Si vous remarquez une réduction dans la puissance de succion ou un changement dans le son de l'appareil pendant l'usage, vous devriez aussi nettoyer l'assemblage du filtre à air.

Pour nettoyer l'assemblage du filtre à air :

- Retirer le bloc-piles.
 - Retirer le coupe à poussière.
 - Enlever l'ensemble de filtre à air du l'aspirateur. Tourner dans le sens antihoraire pour dégager des fentes du boîtier.
 - Enlever le filtre à air directement du cadre du filtre en tirant dessus.
 - Secouer la grille et le filtre à air pour en faire tomber la poussière ou les brosser légèrement. Le rincer si nécessaire.
 - Vider filtre et nettoyer le support et la coupe à poussière; le rincer si nécessaire.
 - Dès que le filtre et l'écran sont complètement secs, remettre le filtre en place.
 - Insérer l'écran du préfiltre sur le filtre dans le boîtier. Tourner dans le sens horaire pour le sécuriser dans les encoches.
- NOTE :** S'assurer que la languette sur le dessus de l'ensemble de filtre à air s'enclenche dans l'ouverture du logement de l'aspirateur. L'ensemble de filtre à air doit être correctement positionné pour que l'aspirateur fonctionne.
- Réinsérer le bol à poussière.

NOTE : ILLUSTRATIONS COMMENÇANT SUR LA PAGE 7 APRÈS LA SECTION ESPAÑOL.

Ce produit est accompagné d'une politique de satisfaction de 90 jours et d'une garantie limitée de trois (3) ans. Pour obtenir les détails de la garantie et de la politique, visiter le site www.RIDGID.com ou appeler (sans frais) au 1-866-539-1710.

IMPORTANTES INSTRUCCIONES DE SEGURIDAD

GUARDE ESTAS INSTRUCCIONES

Al utilizar un aparato eléctrico, deben seguirse ciertas precauciones básicas, como las siguientes:

¡ADVERTENCIA!

LEA Y COMPRENDA TODAS LAS INSTRUCCIONES. El incumplimiento de las instrucciones señaladas abajo puede causar descargas eléctricas, incendios y lesiones serias.

LEA TODAS LAS INSTRUCCIONES ANTES DE USAR ESTE APARATO

ADVERTENCIA:

Para reducir el riesgo de una descarga eléctrica **NO** exponga la unidad a la lluvia. Guárdela en el interior.




- **NUNCA** aspire materiales con brasas calientes, colillas de cigarrillos, fósforos, cenizas candentes o humeantes, etc.
- **NO** utilice la unidad para recoger líquidos inflamables o combustibles, como la gasolina, ni la utilice en lugares donde pueda haber presentes dichos líquidos.
- **No** use la unidad sin el colector de polvo y el filtro en su lugar.
- **Tenga cuidado extremo al utilizar la unidad en escaleras.**
- **No** use la unidad para recoger objetos duros como clavos, tornillos, monedas, etc. Pueden producirse daños o lesiones
- **No** incinere este aparato, incluso si está dañado seriamente. Pueden estallar y quedar envueltas en fuego las baterías.
- **La aspiradora de mano no tiene que estar enchufada en una toma de corriente, para estar siempre en condiciones de funcionamiento.** Esté consciente de los posibles peligros cuando esté usando la aspiradora de mano o cuando esté cambiando los accesorios de la misma.
- **Usar este producto únicamente con la baterías y el cargador indicados en el folleto de la herramienta/aparato/paquete de baterías/cargador complementario 988000-302.**
- **Cuando no esté usando el paquete de baterías, manténgala alejado de todo objeto metálico como: clips, monedas, llaves, clavos, tornillos y otros objetos metálicos pequeños que puedan establecer conexión entre ambas terminales.** Establecer una conexión directa entre las dos terminales puede causar chispas, quemaduras o incendios.
- **Siempre retire el paquete de baterías de la herramienta cuando esté ensamblando partes, realizando ajustes, limpiando o cuando ésta no esté en uso.** Si retira el paquete de baterías, evitará arranques accidentales que podrían provocar lesiones graves.
- **No utilice un paquete de baterías que esté dañado o modificado.** Las baterías dañadas o modificadas pueden tener un funcionamiento impredecible que provoque incendios, explosiones o riesgo de lesiones.
- **No modifique o intente reparar un paquete de baterías que esté dañado.**
- **Vístase de manera apropiada. No use ropas holgadas ni joyas. Recójase el cabello si está largo. Mantenga el cabello, la ropa holgada, los dedos y todas las partes del cuerpo o la ropa alejados de las aberturas y las piezas móviles.** Las ropas holgadas, las joyas y el cabello largo pueden engancharse en las piezas internas móviles.
- **No estire el cuerpo para alcanzar mayor distancia. Mantenga una postura firme y buen equilibrio en todo momento.** La postura firme y el buen equilibrio permiten un mejor control de la aspiradora de mano en situaciones inesperadas. No utilice la unidad al estar en una escalera o en un soporte inestable.
- **Use equipo de seguridad.** Se debe usar mascarilla contra el polvo en las condiciones que así lo requieran.
- **No** permita que ningún niño utilice o juegue con la aspiradora de mano como si fuera un juguete. Debe tenerse extrema precaución cuando se use al lado de o cerca de niños.
- **Utilice esta aspiradora de mano SOLAMENTE para los fines especificados en este manual.** Solamente utilice accesorios recomendados en este manual.
- **Si la aspiradora de mano no está funcionando adecuadamente,** se dejó caer, se dañó, se dejó a la intemperie, o se dejó caer dentro del agua, regrésela al centro de servicio más cercano.
- **No** manipule la clavija del cargador o la aspiradora de mano con las manos mojadas.
- **No** ponga ningún objeto en las aberturas de ventilación. No use la unidad con ninguna abertura bloqueada. Mantenga las aberturas libres de polvo, pelusa, pelo y cualquier cosa que pueda reducir el flujo de aire.

IMPORTANTES INSTRUCCIONES DE SEGURIDAD







- **Las baterías pueden explotar en presencia de una fuente de ignición, como el calor excesivo o una luz guía.** Para reducir el riesgo de lesiones personales graves, nunca use un producto inalámbrico en presencia de una llama abierta o a una temperatura superior a los 129,4 °C (265 °F). Una batería que explotó puede expulsar escombros y productos químicos. Si ha quedado expuesto a la explosión de una batería, lávese de inmediato con agua.
- **Evite un arranque accidental de la unidad. Asegúrese de que el interruptor esté en la posición de apagado antes de conectar la herramienta.** Portar las herramientas eléctricas con el dedo en el interruptor, o conectarlas con el interruptor puesto, propicia accidentes.
- **Si se maltratan las baterías, puede derramarse líquido de las mismas; evite todo contacto con éste. En caso de contacto, lávese con agua. Si el líquido llega a tocar los ojos, además busque atención médica.** El líquido de las baterías puede causar irritación y quemaduras.
- **Protéjase los pulmones. Use una careta o mascarilla contra el polvo si la operación genera mucho polvo.** Con el cumplimiento de esta regla se reduce el riesgo de lesiones corporales serias.
- **Revise para ver si hay desalineación o atoramiento de piezas móviles, ruptura de piezas o toda otra condición que pueda afectar el funcionamiento de la aspiradora. Si se daña la herramienta, llévela a servicio antes de volver a utilizarla.** Numerosos accidentes son causados por herramientas mal cuidadas.
- **Sólo utilice accesorios recomendados por el fabricante para cada modelo en particular.** Accesorios que pueden ser adecuados para una aspiradora pueden significar un riesgo de lesiones si se emplean con otra aspiradora.
- **No permita que gasolina, aceites, productos a base de petróleo, etc., lleguen a tocar las piezas de plástico.** Dichos productos contienen compuestos químicos que pueden dañar, debilitar o destruir el plástico.
- **Verifique que un técnico de reparación calificado haga el mantenimiento usando solo repuestos idénticos.** De esta manera se mantiene la seguridad del product.
- **Este producto no contiene piezas que puedan repararse.**
- **Guarde estas instrucciones. Consúltelas con frecuencia y empléelas para instruir a otras personas que puedan utilizar esta aspiradora de mano. Si presta a alguien esta aspiradora de mano, facilítele también las instrucciones.**

SÍMBOLOS

Las siguientes palabras de señalización y sus significados tienen el objeto de explicar los niveles de riesgo relacionados con este producto.

SÍMBOLO	SEÑAL	SIGNIFICADO
	PELIGRO:	Indica una situación peligrosa, la cual, si no se evita, causará la muerte o lesiones serias.
	ADVERTENCIA:	Indica una situación peligrosa, la cual, si no se evita, podría causar la muerte o lesiones serias.
	PRECAUCIÓN:	Indica una situación peligrosa, la cual, si no se evita, podría causar lesiones menores o leves.
	AVISO:	(Sin el símbolo de alerta de seguridad) Indica la información que se considera importante, pero no relacionada con lesiones potenciales (por ej. en relación a daños a la propiedad).

Es posible que se empleen en este producto algunos de los siguientes símbolos. Le suplicamos estudiarlos y aprender su significado. Una correcta interpretación de estos símbolos le permitirá utilizar mejor y de manera más segura el producto.

SÍMBOLO	NOMBRE	DENOMINACIÓN/EXPLICACIÓN
	Alerta de seguridad	Indica un peligro posible de lesiones personales.
	Lea el manual del operador	Para reducir el riesgo de lesiones, el usuario debe leer y comprender el manual del operador antes de usar este producto.
	Alerta de condiciones húmedas	No exponga la unidad a la lluvia ni la use en lugares húmedos.
	Cabello largo	Riesgo de que el cabello largo quede atrapado en la entrada de aire.
	Colector de polvo	No utilice la unidad hasta mientras no esté asegurada la colector de polvo.
	Símbolo de reciclado	Este producto utiliza baterías de iones de litio (Li-ion). Es posible que algunas leyes municipales, estatales o federales prohíban desechar las baterías en la basura normal. Consulte a las autoridades reguladoras de desechos para obtener información en relación con las alternativas de reciclado y desecho disponibles.
V	Volts	Voltaje
min	Minutos	Tiempo
==	Corriente continua	Tipo o característica de corriente
n ₀	Velocidad en vacío	Velocidad de rotación, en vacío
.../min	Por minuto	Revoluciones, carreras, velocidad superficial, órbitas, etc., por minuto

ARMADO

ADVERTENCIA:

No use este producto si no está totalmente ensamblado o si alguna pieza falta o está dañada. El uso de un producto que no está adecuadamente y completamente ensamblado o posee partes dañadas o faltantes puede resultar en lesiones personales graves.

Si hay piezas dañadas o faltantes, le suplicamos llamar al 1-866-539-1710, donde le brindaremos asistencia.

FUNCIONAMIENTO

ADVERTENCIA:

No permita que su familiarización con las herramientas lo vuelva descuidado. Tenga presente que un descuido de un instante es suficiente para causar una lesión grave.

ADVERTENCIA:

Siempre retire el paquete de baterías de la herramienta cuando esté ensamblando partes, realizando ajustes, limpiando o cuando ésta no esté en uso. Retirando el paquete de baterías se evita arrancar accidentalmente la unidad, lo cual puede causar lesiones serias.

ADVERTENCIA:

No utilice ningún aditamento o accesorio no recomendado por el fabricante de esta producto. El empleo de aditamentos o accesorios no recomendados podría causar lesiones serias.

APLICACIONES

Esta producto puede emplearse para los fines siguientes:

- Limpieza liviana con aspiradora de superficies secas
- Limpieza de doméstico

INSTALACIÓN/DESMONTAR DEL PAQUETE DE BATERÍAS

Vea la figura 1, página 7.

- Coloque el paquete de baterías en la aspiradora de mano. Alinee las costillas realzada exterior del paquete de baterías con las ranuras interior del receptáculo para baterías de la aspiradora de mano.
- Asegúrese de que los pestillos situados en ambos lados del paquete de baterías entren completamente en su lugar, y de que el paquete quede bien fijo en la aspiradora de mano antes de empezar a utilizar éste.

ADVERTENCIA:

No intente modificar este producto ni crear aditamentos o accesorios que no estén recomendados para usar con este producto. Dichas alteraciones o modificaciones constituyen un uso indebido y podrían provocar una situación de riesgo que cause posibles lesiones personales graves.

- Oprima los pestillos situados en ambos lados del paquete de baterías para soltar éste de la aspiradora de mano.

ENCENDIDO Y APAGADO DE LA ASPIRADORA

Vea la figura 2, página 7.

- **Para encender la aspiradora:** deslice el interruptor de ENCENDIDO/APAGADO hacia arriba hasta ver ON (ENCENDIDO).
- **Para apagar la aspiradora:** deslice el interruptor de ENCENDIDO/APAGADO hacia abajo hasta ver OFF (APAGADO).

DESMONTAJE Y MONTAJE DEL COLECTOR DE POLVO

Vea la figura 3, página 8.

El colector de polvo debe revisarse, vaciarse y limpiarse periódicamente para lograr la máxima captación de polvo.

NOTA: Para obtener mejores resultados, siempre vacíe el colector de polvo antes de cambiar entre aspiración.

Para desmontaje:

- Retire el paquete de baterías.
- Gire el colector de polvo hacia la izquierda hasta que la línea quede en el ícono de desbloqueo para liberar la pieza. Empuje el colector de polvo hacia delante para retirarlo.

Para montaje:

- Alinee las lengüetas levantadas del colector de polvo con las ranuras del cuerpo de la aspiradora y, luego, empuje las dos secciones para unir las.

NOTA: Asegúrese de que el conjunto del filtro de aire quede colocado de forma segura en la carcasa de la aspiradora. El conjunto del filtro de aire debe estar correctamente posicionado para que funcione la aspiradora.

- Gire el colector de polvo hacia la derecha hasta que la línea quede en el ícono de bloqueo. El bloqueo trabará el colector de polvo.

FUNCIONAMIENTO

EMPLEO DE LOS ADITAMENTOS

Vea la figura 4, página 8.

- Retire el paquete de baterías.
- Inserte el accesorio en la apertura de la abertura para aspiración, asegurándose de que el accesorio esté firme en su lugar.
- Para extraerlo, tire del accesorio de la aspiradora.

Los aditamentos de la aspiradora están diseñados para las siguientes aplicaciones:

- La boquilla para pisos se utiliza para aspirar superficies grandes y planas.
- El tubo de extensión se utiliza como una extensión para cualquiera de los aditamentos de la aspiradora.
- La boquilla para hendiduras se utiliza para aspirar en lugares angostos de difícil acceso.

MANTENIMIENTO

Este producto no contiene piezas que puedan repararse.

MANTENIMIENTO GENERAL

Evite el empleo de solventes al limpiar piezas de plástico. La mayoría de los plásticos son susceptibles a diferentes tipos de solventes comerciales y pueden resultar dañados. Utilice paños limpios para eliminar la suciedad, el polvo, el aceite, la grasa, etc.

ADVERTENCIA:

No permita en ningún momento que fluidos para frenos, gasolina, productos a base de petróleo, aceites penetrantes, etc., lleguen a tocar las piezas de plástico. Las sustancias químicas pueden dañar, debilitar o destruir el plástico, lo cual a su vez puede producir lesiones corporales serias.

LIMPIEZA/REEMPLAZAR DEL FILTRO

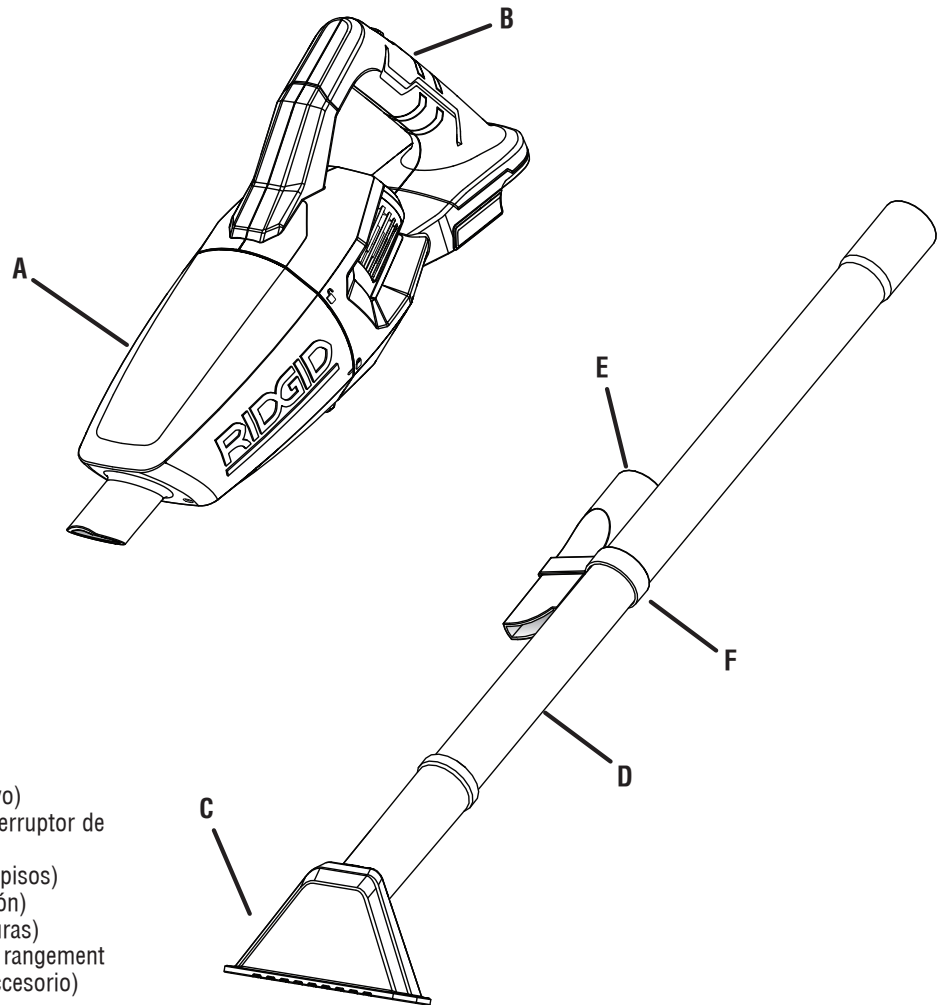
Vea las figuras 5 y 6, página 8.

Limpie el conjunto del filtro de aire periódicamente para lograr el mejor rendimiento de la aspiradora. Si nota una reducción en la potencia de succión o un cambio en el sonido de la unidad durante el uso, también debe limpiar el conjunto del filtro de aire.

Para limpiar el conjunto del filtro de aire, haga lo siguiente:

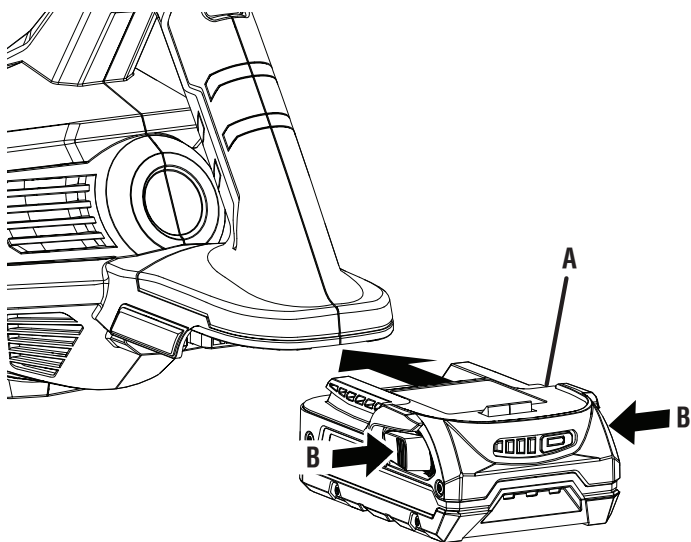
- Retire el paquete de baterías.
 - Retire el colector de polvo.
 - Extraiga el conjunto del filtro de aire de la aspiradora. Gire hacia la izquierda para liberar la pieza de las ranuras de la carcasa.
 - Retire el filtro de aire tirando hacia fuera del marco del filtro.
 - Sacuda o cepille levemente todo el polvo de la pantalla y del filtro. Enjuague si es necesario.
 - Vacíe el colector de polvo; enjuague si es necesario.
 - Una vez que el filtro y el tamiz estén completamente secos, vuelva a colocar el filtro en su lugar.
 - Inserte el tamiz del prefiltro sobre el filtro en la carcasa. Gire hacia la derecha para asegurar la pieza en las muescas.
- NOTA:** Asegúrese de que la lengüeta de la parte superior del conjunto del filtro de aire se asiente en la apertura del alojamiento de la aspiradora. El conjunto del filtro de aire debe estar correctamente posicionado para que funcione la aspiradora.
- Reinstalación el tazón de polvo.

Este producto tiene una política de satisfacción garantizada de 90 días y una garantía limitada de tres años. Para obtener detalles sobre la garantía y la política de satisfacción garantizada, diríjase a www.RIDGID.com o llame sin cargo al 1-866-539-1710.



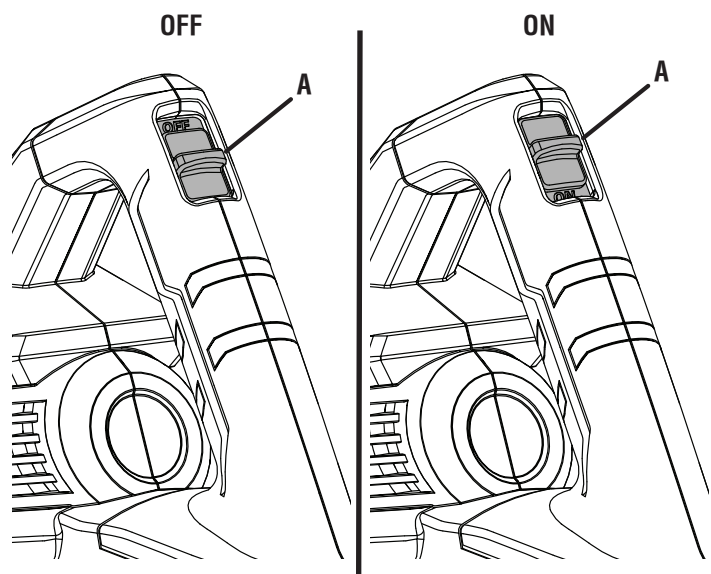
- A - Dust bowl (réceptier à poussière, colector de polvo)
- B - On/off switch (commutateur de marche/arrêt, interruptor de encendido/apagado)
- C - Floor nozzle (suceur pour plancher, boquilla para pisos)
- D - Extension tube (rallonge de tube, tubo de extensión)
- E - Crevice nozzle (suceur plat, boquilla para hendiduras)
- F - Attachment storage clip (dispositif de fixation pour rangement d'accessoire, sujetador de almacenamiento del accesorio)

Fig. 1



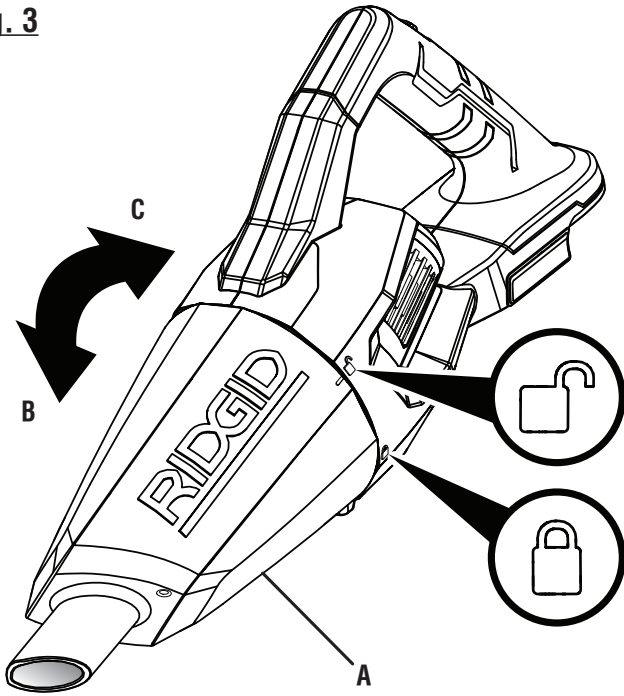
- A - Battery pack (bloc-pile, paquete de batería)
- B - Depress latches to release battery pack (appuyer sur les loquets pour libérer le bloc-pile, para soltar el paquete de baterías oprima los pestillos)

Fig. 2



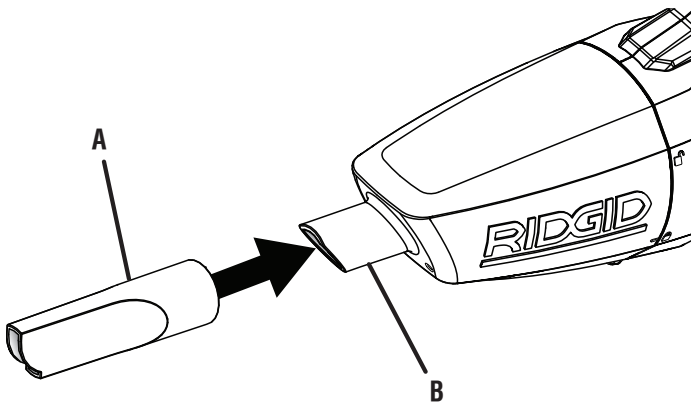
- A - On/off switch (commutateur de marche/arrêt, interruptor de encendido/apagado)

Fig. 3



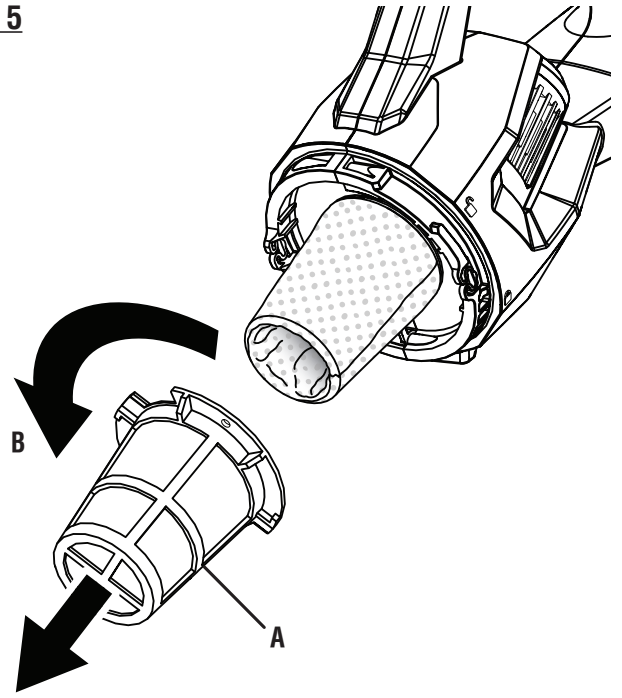
A - Dust bowl (réceptier à poussière, colector de polvo)
B - To remove (pour enlever, para quitar)
C - To attach (pour fixer, para conectar)

Fig. 4



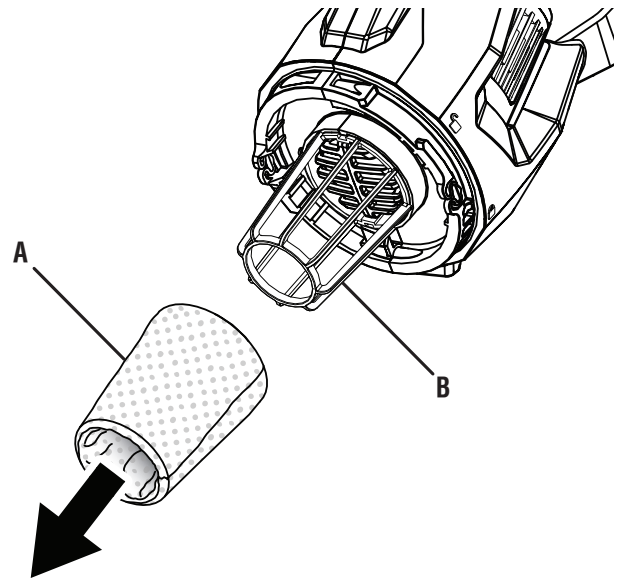
A - Crevice nozzle (suceur plat, boquilla para hendiduras)
B - Vacuum port (orifice d'aspiration, abertura para aspiración)

Fig. 5



A - Pre-filter screen (grille du préfiltre, pantalla del prefiltro)
B - To remove (pour enlever, para quitar)

Fig. 6



A - Air filter (filtre à air, filtro de aire)
B - Air filter support (support de filtre à air, soporte del filtro de aire)

OPERATOR'S MANUAL

MANUEL D'UTILISATION

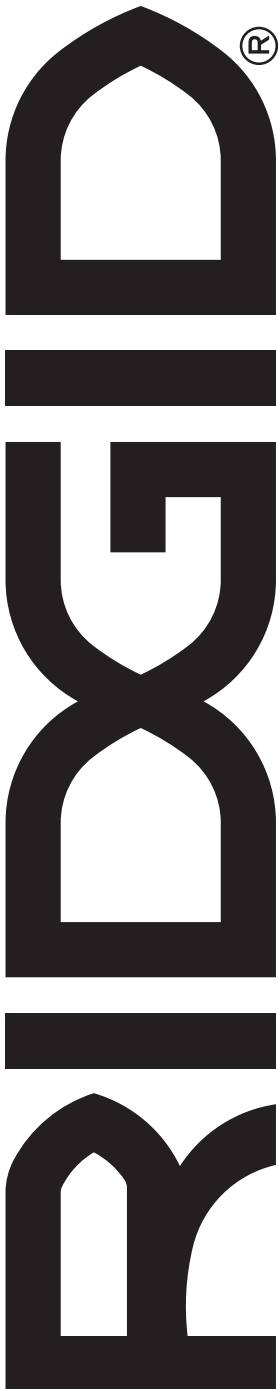
MANUAL DEL OPERADOR

18 VOLT HAND VAC

ASPIRATEUR À MAIN 18 V

ASPIRADORA DE MANO 18 V

R860902



Customer Service Information:

For parts or service, do not return this product to the store. Contact your nearest RIDGID® authorized service center. Be sure to provide all relevant information when you call or visit. For the location of the authorized service center nearest you, please call 1-866-539-1710 or visit us online at www.RIDGID.com.

MODEL NO. _____ SERIAL NO. _____

Service après-vente :

Pour acheter des pièces ou pour un dépannage, ne pas retourner ce produit au magasin. Contacter le centre de réparations RIDGID® agréé le plus proche. Veiller à fournir toutes les informations pertinentes lors de tout appel téléphonique ou visite. Pour obtenir l'adresse du centre de réparations agréé le plus proche, téléphoner au 1-866-539-1710 ou visiter notre site www.RIDGID.com.

NO. DE MODÈLE _____ NO. DE SÉRIE _____

Información sobre servicio al consumidor:

Para piezas de repuesto o servicio, no devuelva este producto a la tienda. Comuníquese con el centro de servicio autorizado de productos RIDGID® de su preferencia. Asegúrese de proporcionar todos los datos pertinentes al llamar o al presentarse personalmente. Para obtener información sobre el centro de servicio autorizado más cercano a usted, le suplicamos llamar al 1-866-539-1710 o visitar nuestro sitio en la red mundial, en la dirección www.RIDGID.com.

NÚM. DE MODELO _____ NÚM. DE SERIE _____

ONE WORLD TECHNOLOGIES, INC.

P.O. Box 1427
Anderson, SC 29622 USA
1-866-539-1710 ■ www.RIDGID.com

RIDGID is a registered trademark of RIDGID, Inc., used under license.