

MK-101 TILE SAW PARTS LIST

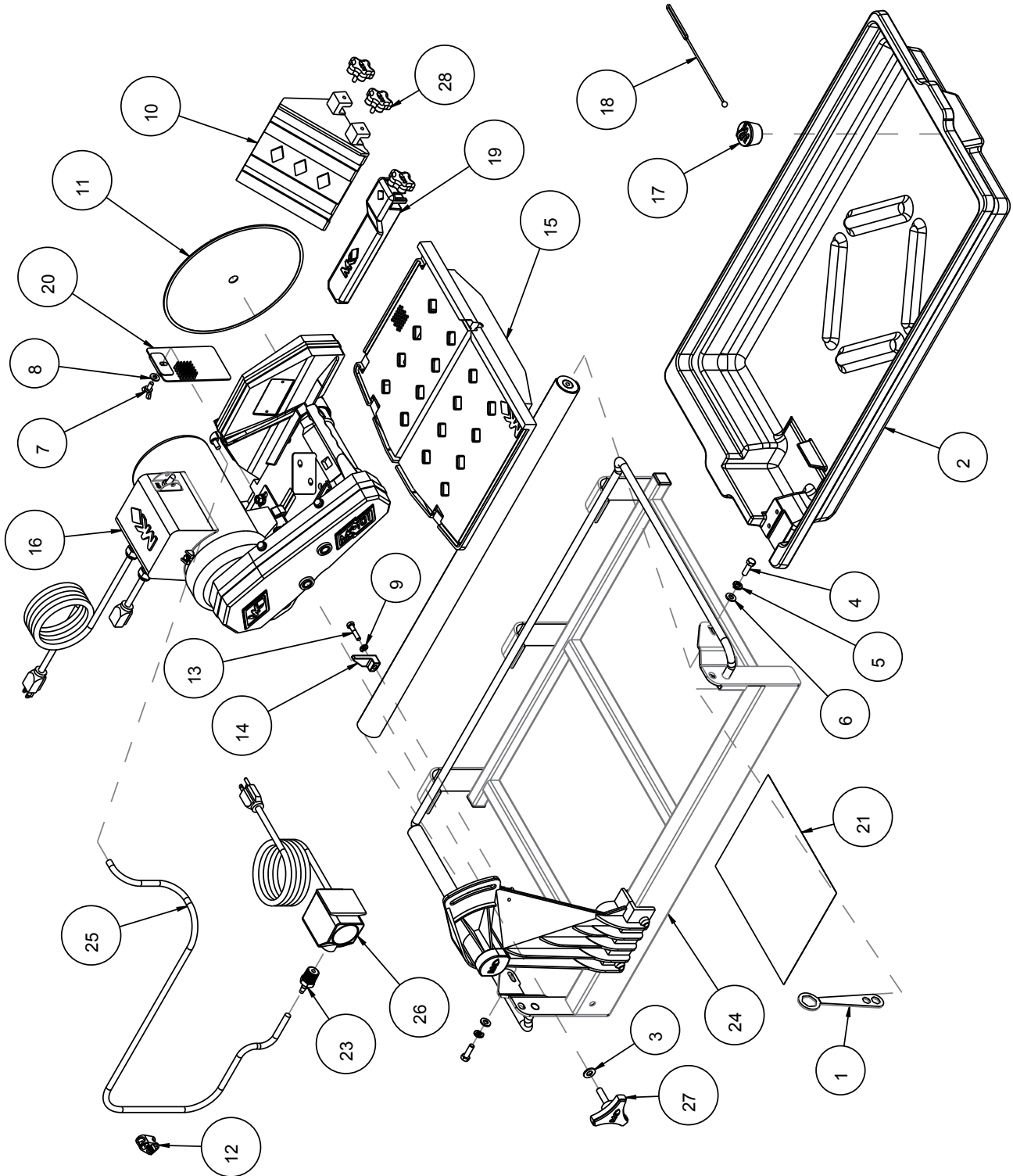


Part # 151991

Revision 118	03.2021
Manual Part# 153754	

Caution: Read all safety and operating instructions before using this equipment. This owner's manual **MUST** accompany the equipment at all times.

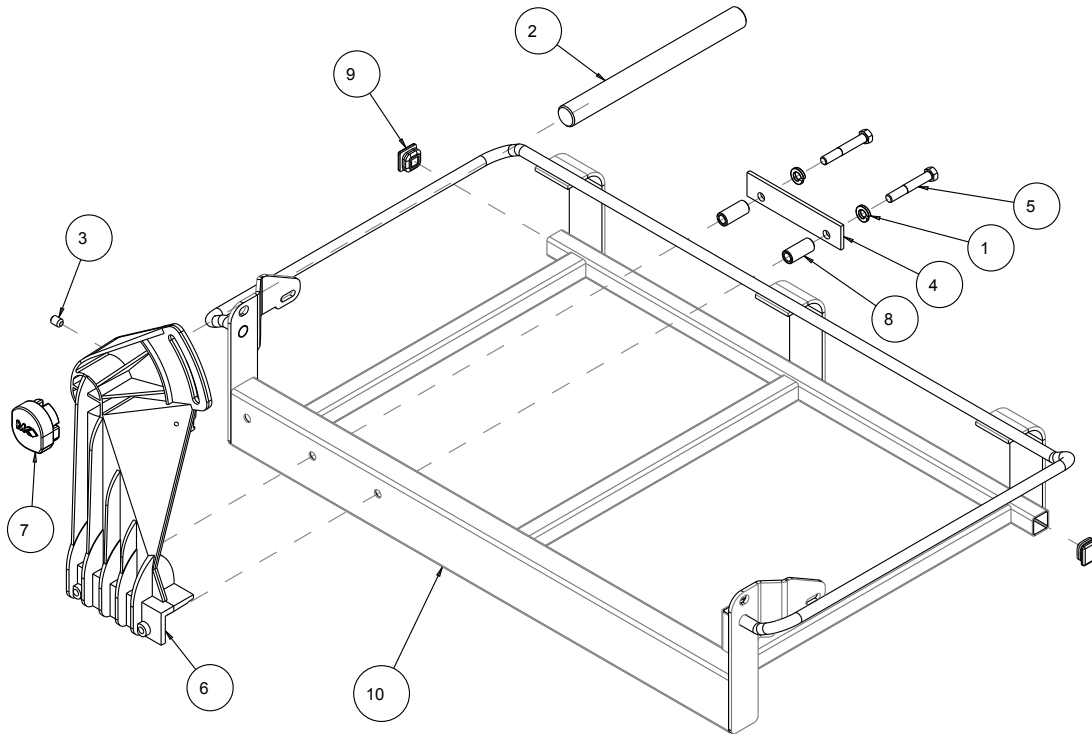
MK-101 SAW P/N 151991



MK-101 SAW P/N 151991

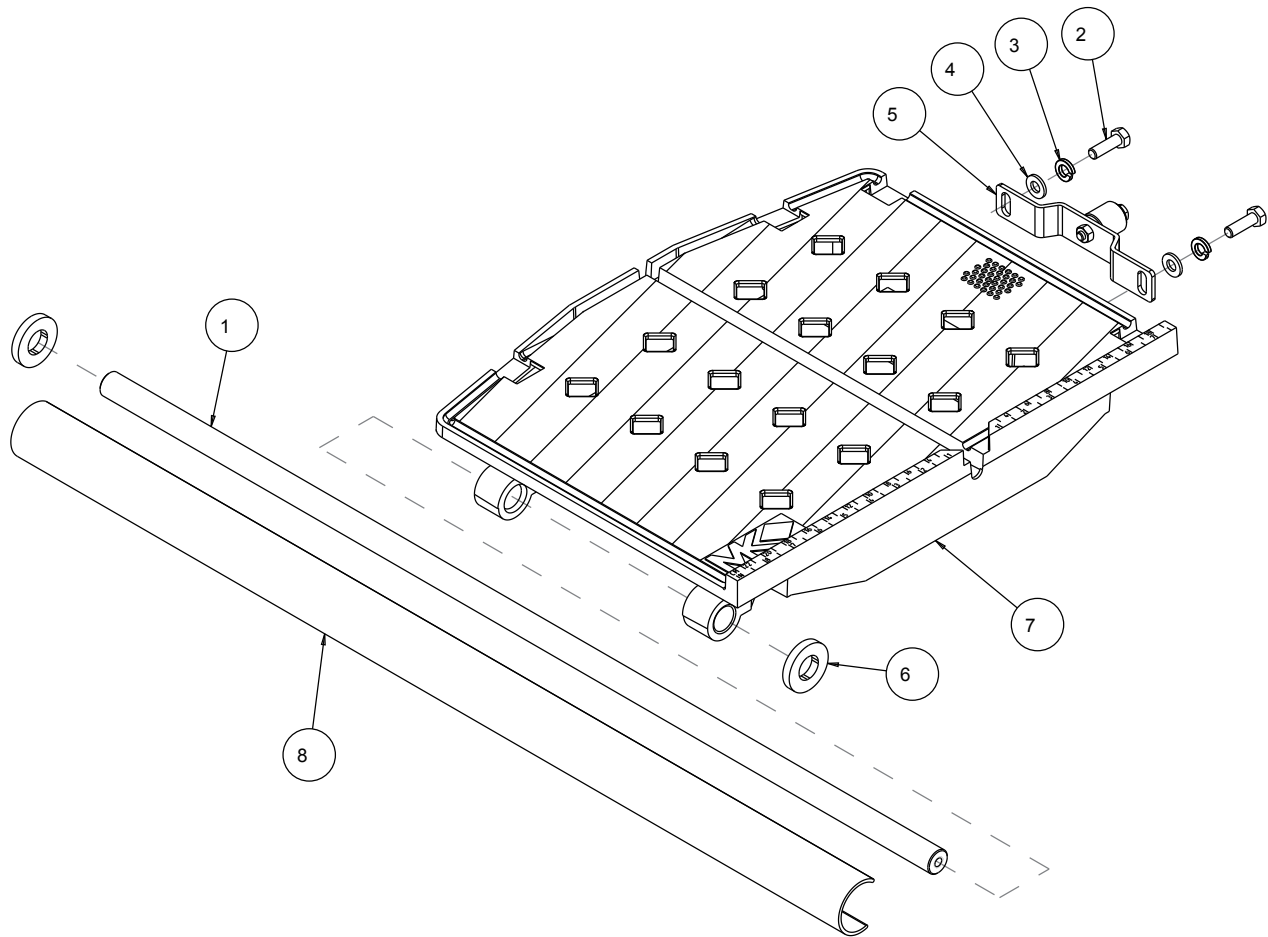
Item	Description	Part #	Qty
1	WRENCH, TILE SAW NUT 15/16	134684	1
2	PAN, PLASTIC MK-101	150634	1
3	WASHER, FLAT, SAE, 3/8	150923	1
4	SCREW, HEX HD, 5/6 - 18 X 1	151743	2
5	WASHER, LOCK, SPLIT, 15/16	151747	2
6	WASHER, FLAT, SAE, 5/16	151754	2
7	SCREW, WING, 1/4 20 X 1/2	151888	1
8	WASHER, FLAT, SAE, 1/4	151915	1
9	WASHER, LOCK, SPLIT 1/4	152591	1
10	CASTING, ACC BULLNOSE LRG - COMP	153201	1
11	MK-100 10 X 060 X 5/8	154380	1
12	CLAMP, HOSE, 1/4 - 1/2 FLOW	154394	1
13	SCREW, HEX HD 1/4 - 20 X 1-1/4	157145	1
14	STOP, CUTTING HEAD	157728	1
15	ASSY, DC TABLE, MK-101	158477	1
16	ASSY, DC CUTTING HEAD, MK-101	158478	1
17	DRAIN PLUG, W/RING	159529	1
18	STRAP, 9" DRAIN PLUG	159530	1
19	RIP GUIDE, LARGE DIE CAST	159751	1
20	GUARD, SPLASH	160310	1
21	SHEET, WARNING LABELS, TILE SAW	166012	1
22	ASSY, CARTON, MK-101	166621	1
23	ADAPTER, 1/2 NPT X 1/4 BARB	168261	1
24	ASSY, FRAME & POST, MK-101	170476	1
25	HOSE, VINYL, 1/4 X 3/8 (6.0')	132951	1
26	PUMP, WATER 115V/60HZ UL/CSA	151271-VP	1
27	KNOB, TRI PLASTIC MK-660 1 - 1/2	156770-02	1
28	KNOB, RUBBER, 1/4 - 20 X 3/4" LONG	159428-1	2

FRAME ASSEMBLY P/N 170476



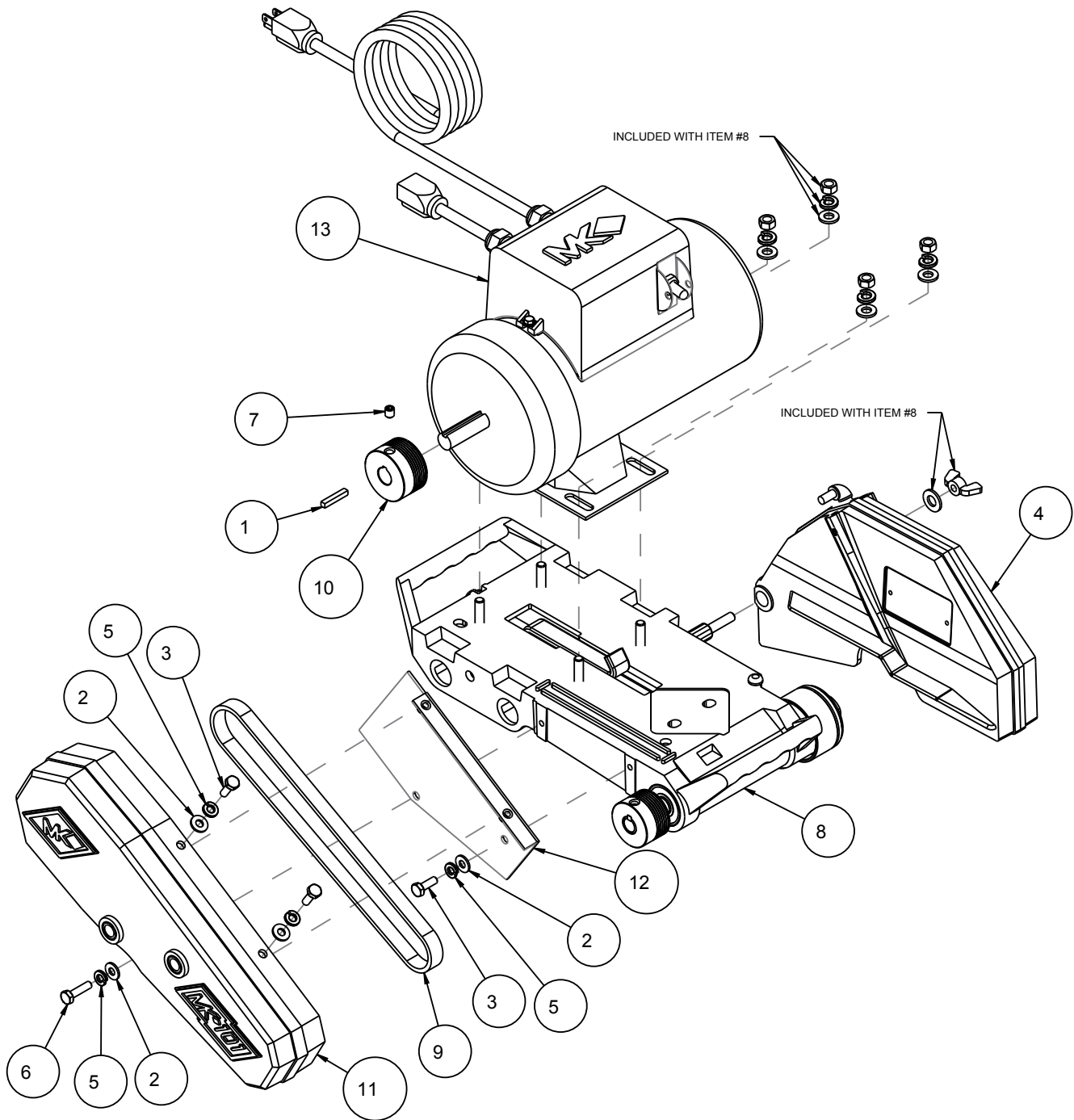
Item	Description	Part #	Qty
1	WASHER, LOCK, SPLIT, 3/8	150925	2
2	SHAFT, 10.63 PIVOT	153254	1
3	SCREW, SET, SOC, CUPT, 3.8 - 16 X 1/2	153710	1
4	PLATE, PRESSURE	155671	1
5	SCREW, 3/8 16 X 2 -1/2 HEX HEAD CAP	156030	2
6	CASTING, POST, DC, 101 MKRED-COMP	158438	1
7	POST COVER, PLASTIC	160157	1
8	SPACER, 5.8 X .385 X 1.4	160654	2
9	PLUG, PLASTIC, 1 SQ- 14 - 20 GA	160727-1	2
10	FRAME, 10" TILE SAW, 18" RIP	168021	1

TABLE ASSEMBLY P/N 158477



Item	Description	Part #	Qty
1	BAR, GUIDE PLATED MK-101	134759	1
2	SCREW, HEX HD, 5/16 - 18 X 1	151743	2
3	WASHER, LOCK, SPLIT, 5/16	151747	2
4	WASHER, FLAT, SAE, 5/16	151754	2
5	ASSY, WHEEL BRKT TSAW	151756	1
6	SPACER, GUIDE BAR COVER, COMMON	152393	2
7	CASTING, TABLE MK-100 COMP	157660	1
8	COVER, GUIDE BAR, 120 DEG	158403	1

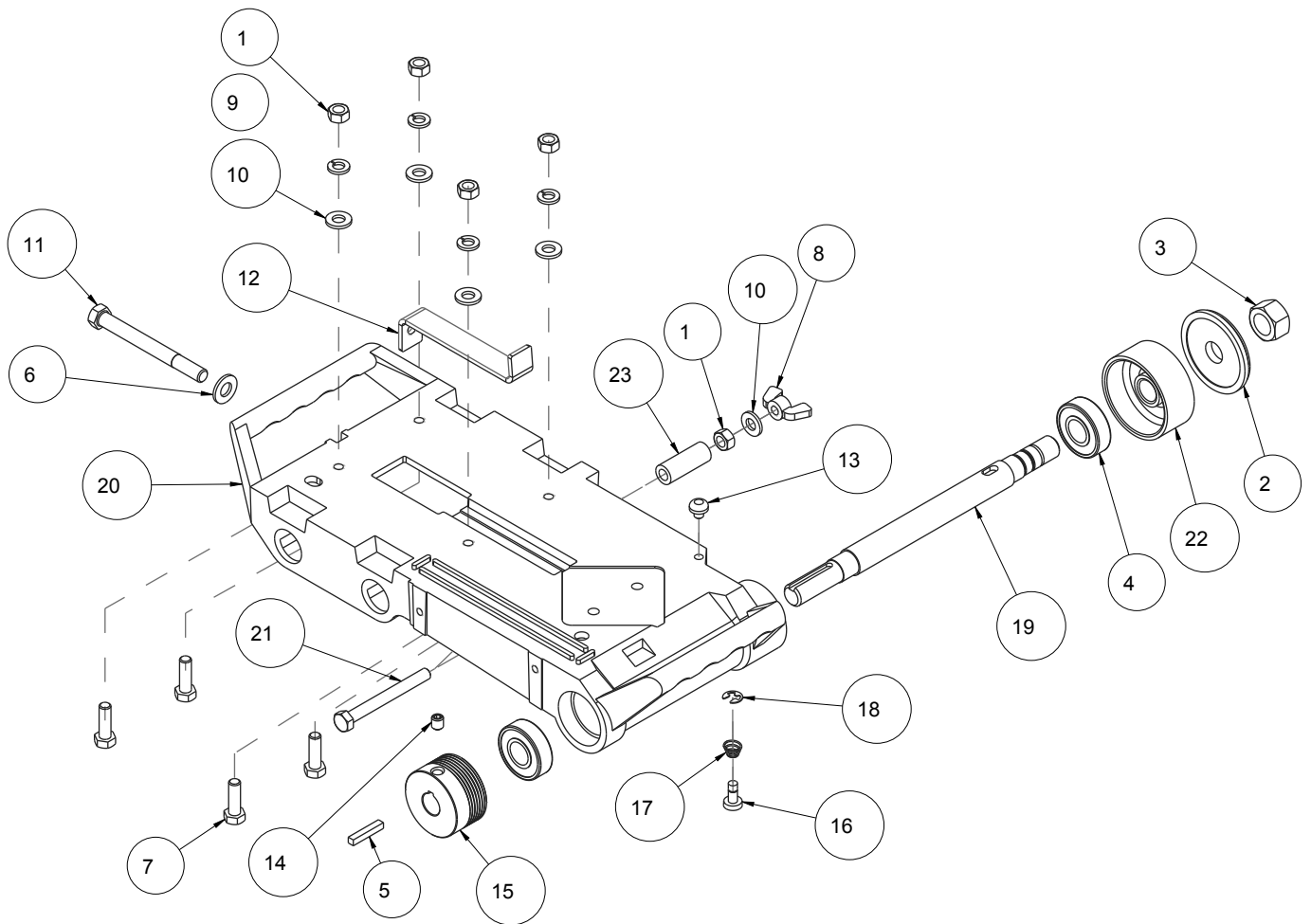
CUTTING HEAD ASSEMBLY P/N 158478



CUTTING HEAD ASSEMBLY P/N 158478

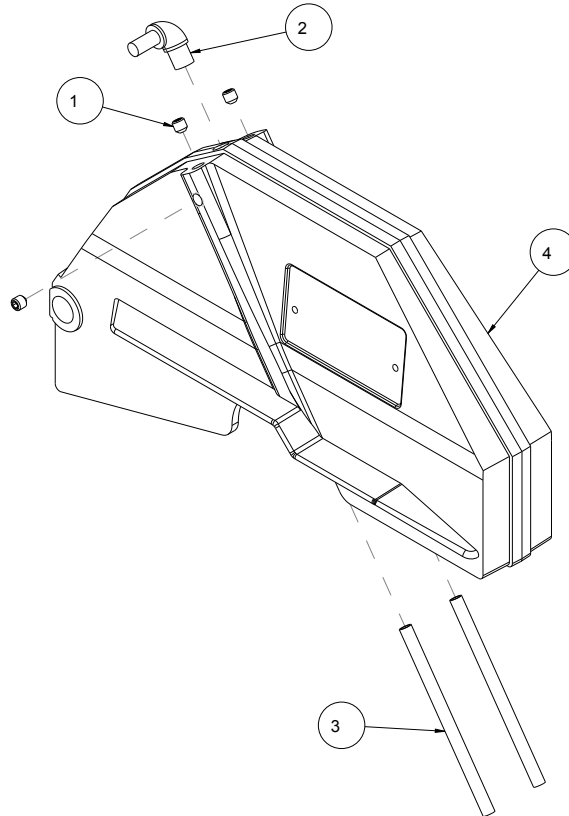
Item	Description	Part #	Qty
1	KEY, 3/16 SQ X 1-1/8	150344	1
2	WASHER, 1/4 SAE FLAT	151915	4
3	SCREW, HEX HD, 1/4 -20 X 3/4	152370	3
4	ASSY, BLADE GUARD, 101	152582	1
5	WASHER, 1/4 SPLIT LOCK	152591	4
6	SCREW, HEX HD TAP, 1/4 - 20 X 1	152676	1
7	SCREW, 5/16 -18 X 3/8 SOCKET HEAD SET	157083	1
8	ASSY, SBU, CUTTING HEAD MK-101	158191	1
9	BELT, 6J260	158194	1
10	PULLEY, 6J19 X 5/8 BORE	158199	1
11	CASTING, 101 BELT GUARD-COMP	158319-01	1
12	BRACKET, INNER BELTGUARD	158611	1
13	MTR, 1-1/2 HP, 115V, 60HZ-VP	168022G	1

SUB HEAD ASSEMBLY P/N 158191

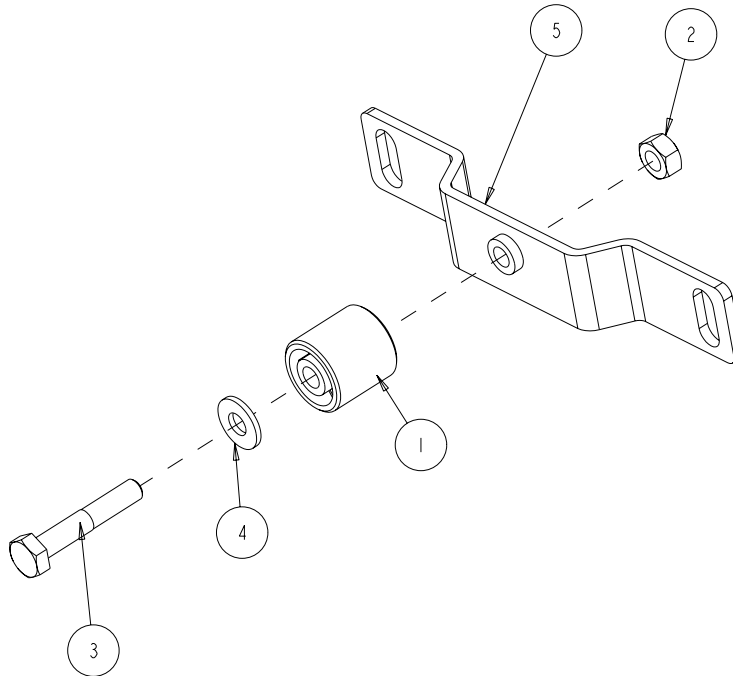


SUB HEAD ASSEMBLY P/N 158191

ITEM #	DESCRIPTION	PART #	QTY.
1	NUT, HEX, 5/16-18	101196	5
2	FLANGE, OUTER, 2-3/8	135830	1
3	NUT, HEX, 5/8-18	135848	1
4	BEARING, BALL, 17X40X12mm	137711	2
5	KEY, 3/16 SQ x 1-1/8	150344	1
6	WASHER, FLAT, SAE, 3/8	150923	1
7	SCREW,HEX HD,5/16-18X1	151743	4
8	NUT, WING, NYLK, 5/16-18	151746	1
9	WASHER,LOCK,SPLIT,5/16	151747	4
10	WASHER,FLAT,SAE,5/16	151754	5
11	SCREW, 3/8-16 X 3 3/4 HEX HD CAP	152504	1
12	STRAP, MTR ADJ. MK101/1080	152673	1
13	BUMPER, RUBBER, 1/2 DIA	152674	1
14	SCREW,SET,KNR CUP,5/16-18X3/8	157083	1
15	PULLEY, 6J19 X 5/8 BORE	158199	1
16	BUTTON, SHAFT LOCK	158200	1
17	SPRING, BLADE SHAFT LOCK	158201	1
18	RING, 1/4 E-STYLE RETAINING	158202	1
19	SHAFT, BLADE, 100/101	158222	1
20	CASTING,10" CTTG HEAD - COMP	158224	1
21	SCREW,HEX HD,TAP,5/16-18X3	162473	1
22	FLANGE, 2-3/8 INNER	162758	1
23	SPACER, 9/16X5/16X1.5, PLAS	170824	1

BLADE GUARD ASSEMBLY P/N 152582

Item	Description	Part #	Qty
1	SCREW, 5/16 - 18 X 1/2 SOCKET HD SET	152607	3
2	ELBOW, 1/8MNPT X 1/4 BARB, 90 DEG	154652	1
3	TUBE, WATER	155389	2
4	CASTING, 101 BLD GUARD-DC-COMP	162481	1

ROLLER WHEEL ASSEMBLY P/N 151756

Item	Description	Part #	Qty
1	WHEEL, ROLLER	151799	1
2	NUT, HEX, 1/4 - 20	151893	1
3	SCREW, HEX HEAD 1/4 - 20 X 1-1/2"	151914	1
4	WASHER, 1/4 SAE FLAT	151915	1
5	BRACKET, ROLLER WHEEL	154021	1



MK Diamond Products, Inc.

MK Diamond Products, Inc.
1315 Storm Parkway
Torrance, CA 90501

Toll-Free: (800) 421-5830
Phone: (310) 539-5221
Fax: (310) 539-5158
www.mkdiamond.com