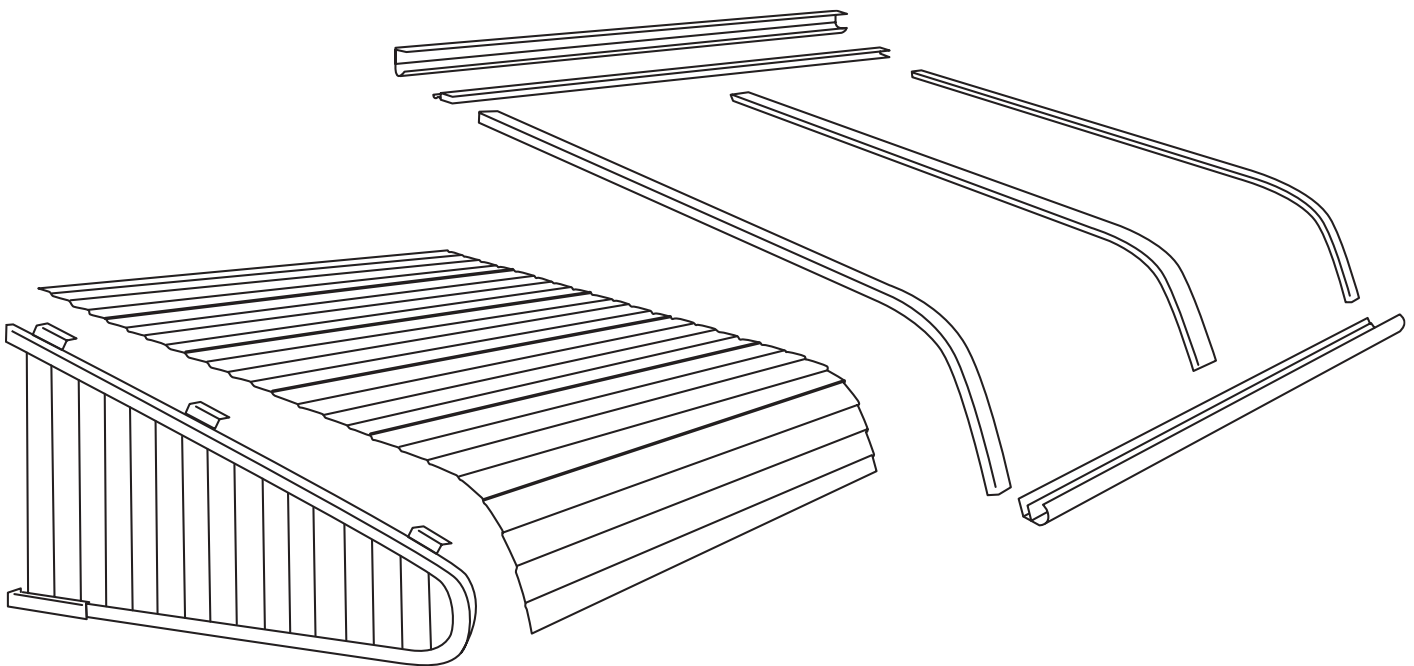


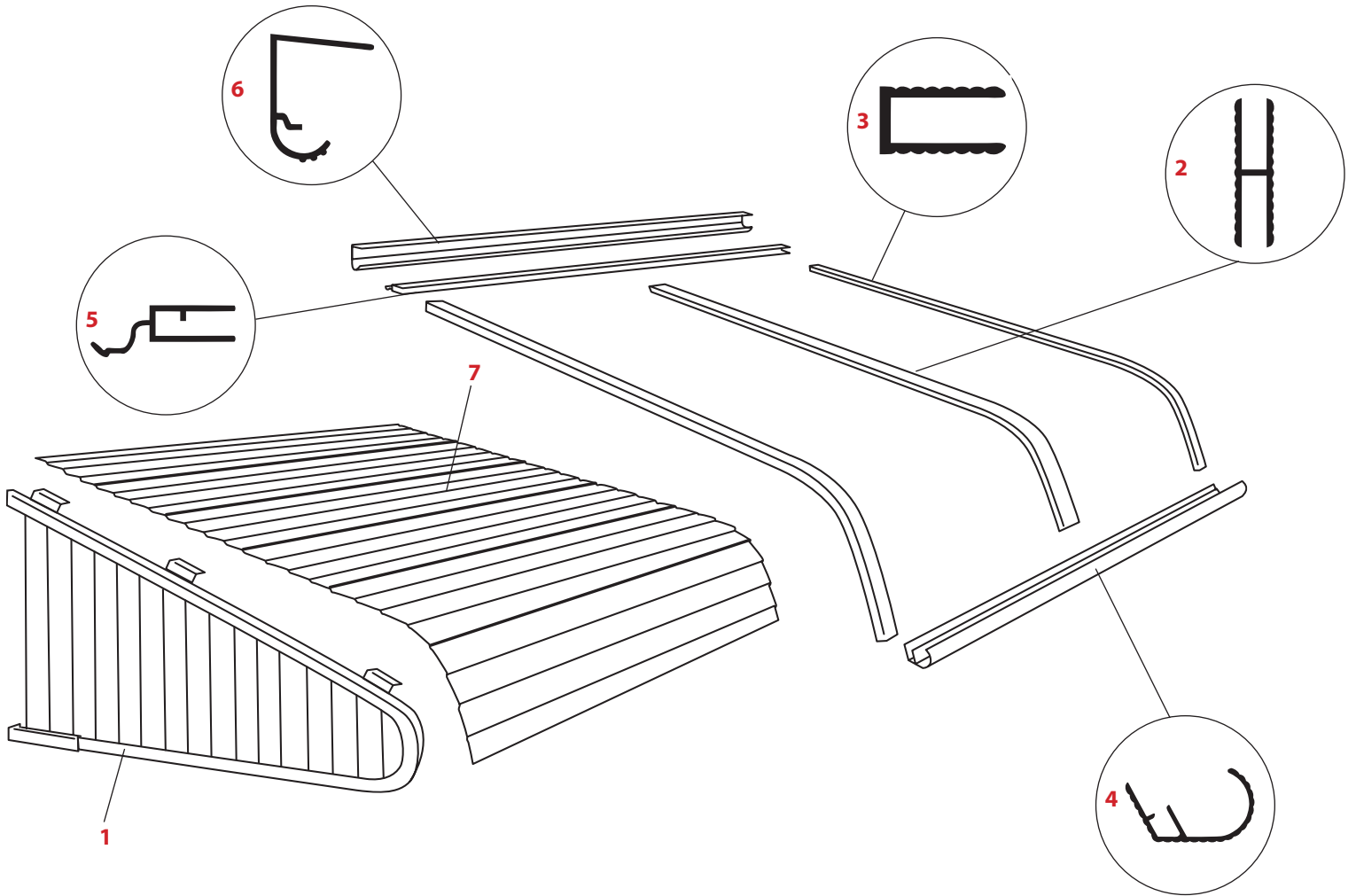
# Replacement Parts

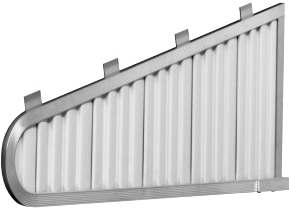


## SERIES 1500 ALUMINUM DOOR CANOPY *with sidewings*




# Series 1500



Series 1500	SIDEWING (each)		CATEGORY: Accessories — SUBCATEGORY: Sidewings		
1	SKU #	Model #	Description	(S) Length	(L)*
	SW1504	4	Sidewing includes Connector # CONNECTOR	18 1/2"	18 1/2"
	SW1505	5		25"	24"
	SW1506	6		31 1/4"	30"
	SW1507	7		37"	35 1/2"
	SW1508	8		43 1/2"	42"
	SW1509	9		48 1/2"	48"
	SW1510	10		55 1/2"	53 1/2"

\* S is for Standard Mount; L is for Low Mount.

Series 1500	CENTER RAFTERS (each)		CATEGORY: Extrusion — SUBCATEGORY: Rafter	
<b>2</b>	SKU #	Model #	Description	Length
	CRAFTERS1504-AC-MILL	4	Aluminum Center Rafters <i>Mill Finish</i>	24"
	CRAFTERS1505-AC-MILL	5		30"
	CRAFTERS1506-AC-MILL	6		36 1/4"
	CRAFTERS1507-AC-MILL	7		42 3/8"
	CRAFTERS1508-AC-MILL	8		48 5/8"
	CRAFTERS1509-AC-MILL	9		54 5/8"
	CRAFTERS1510-AC-MILL	10		60 1/4"
Series 1500	EDGE RAFTERS (each)		CATEGORY: Extrusion — SUBCATEGORY: E-Rafter	
<b>3</b>	SKU #	Model #	Description	Length
	ERAFTERS1504-AC-MILL	4	Aluminum Edge Rafters <i>Mill Finish</i>	24 5/8"
	ERAFTERS1505-AC-MILL	5		30 5/8"
	ERAFTERS1506-AC-MILL	6		36 5/8"
	ERAFTERS1507-AC-MILL	7		42 13/16"
	ERAFTERS1508-AC-MILL	8		49"
	ERAFTERS1509-AC-MILL	9		55 1/8"
	ERAFTERS1510-AC-MILL	10		60 5/8"
Series 1500	FRONT GUTTER (per inch)		CATEGORY: Extrusion — SUBCATEGORY: Gutter	
<b>4</b>	SKU #	Model #	Description	Width
	FG2500	N/A	Aluminum Front Gutter <i>Mill Finish</i>	2"
Series 1500	CANOPY TOP TRIM (per inch)		CATEGORY: Extrusion — SUBCATEGORY: Top Trim	
<b>5</b>	SKU #	Model #	Description	Width
	NNE16689-241-MILL	N/A	Aluminum Canopy Top Trim <i>Mill Finish</i>	1 1/2"
Series 1500	MOUNTING BAR		CATEGORY: Extrusion — SUBCATEGORY: Mounting Bar	
<b>6</b>	SKU #	Model #	Description	Width
	NNE16688-241-MILL	N/A	Aluminum Mounting Bar <i>Mill Finish</i>	1 1/4"

Series 1500		AWNING SLAT 6"		CATEGORY: Extrusion — SUBCATEGORY: Slat	
7		SKU #	Model #	Description	Width
		WIDE_SLAT_COLORNAME	N/A	Awning Slat <i>White, Almond, Sandalwood, Brick Red, Burgundy, Brown, Fern Green, Evergreen, Bedford Blue, Slate Blue, Graystone, Black</i>	6 1/2"
Series 1500		INTERLOCK CLIP (each)		CATEGORY: Hardware — SUBCATEGORY: SS Clips	
		SKU #	Model #	Description	Length
		FG47770-R1	N/A	Interlock Clip <i>Stainless Steel</i>	N/A
Series 1500		2-INCH PAN PHILLIPS SCREWS (each)		CATEGORY: Hardware — SUBCATEGORY: Mounting Screw	
		SKU #	Model #	Description	Length
		H0110344	N/A	12x 2-inch Pan Phillips Screw <i>Zinc</i>	2"
Series 1500		3/8-INCH HEX HEAD SCREWS (each)		CATEGORY: Hardware — SUBCATEGORY: Assembly Screw	
		SKU #	Model #	Description	Length
		SIDEWINGSCREWS	N/A	#6 x 3/8" Hex Head Screw <i>Stainless Steel</i>	3/8"
Series 1500		SIDEWING CONNECTOR (each)		CATEGORY: Brackets — SUBCATEGORY: Sidewing	
		SKU #	Model #	Description	Size
		CONNECTOR	N/A	Aluminum Sidewing Connector <i>Mill Finish</i>	2 1/4" tall by 1 3/4" wide
Series 1500		ADJUSTABLE WALL BRACKET (pair)		CATEGORY: Brackets — SUBCATEGORY: Adj. Wall Brkt.	
		SKU #	Model #	Description	Length
		ADJWALLBRKT-AB-MILL	N/A	Adjustable Wall Bracket for Sidewing	5"
Series 1500		CANOPY EXTRUDED HAT SECTION		CATEGORY: Extrusion — SUBCATEGORY: Hat	
		SKU #	Model #	Description	Size
		HAT	N/A	Aluminum Canopy Extruded Hat Section <i>Mill Finish</i>	3 1/8" wide by 2" tall