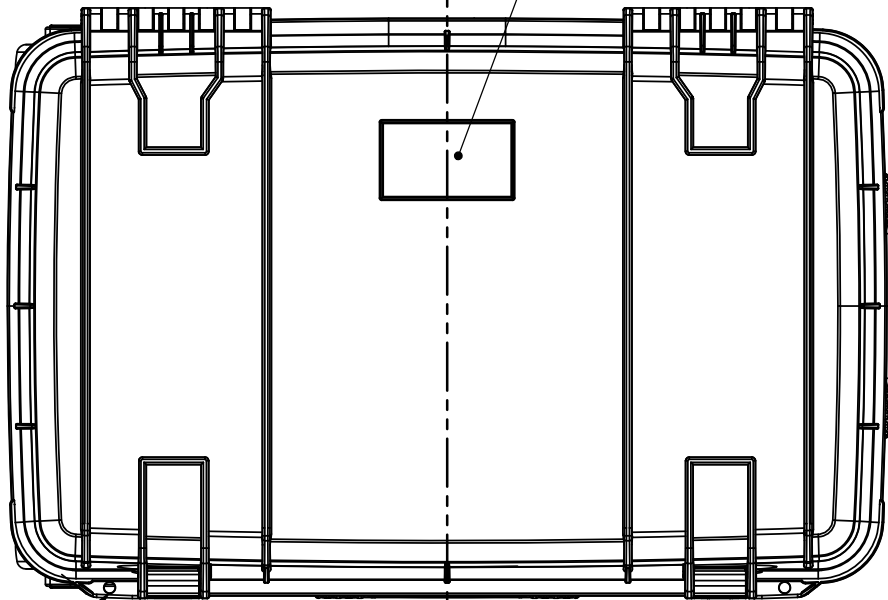


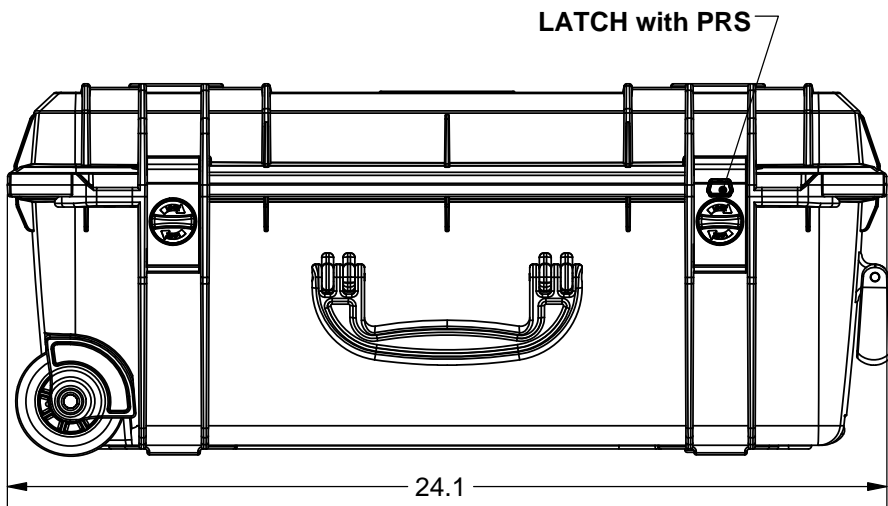
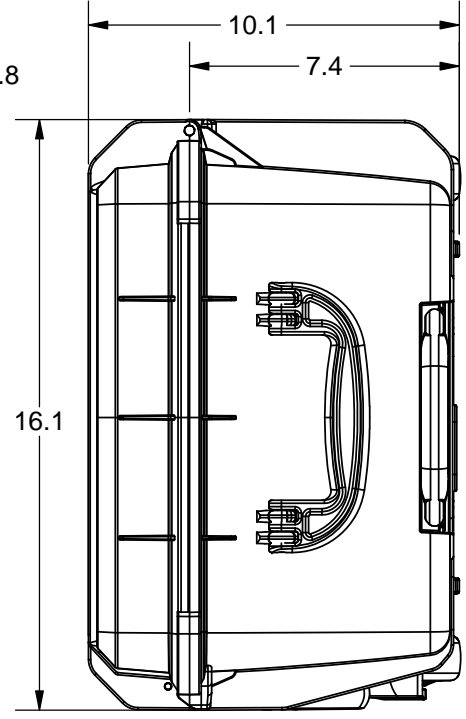
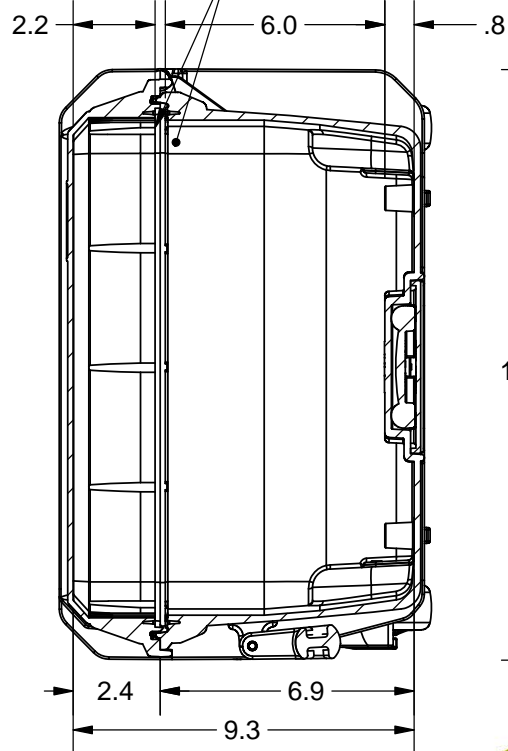
To bottom of
perimeter flange
for optional panel

for 3.5" X 2" label

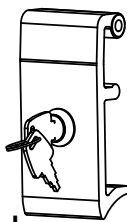


A

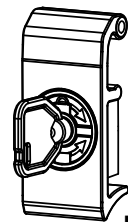
A



latch with
metal lock



latch with
plastic lock



Optional latches
must be specified at
time of order.
See note 2

NOTES:

- 1) Max. usable inside dimensions are:
22 1/8" X 13 1/2" X 8 1/2" (9 5/16" bottom of boss)
(22.1" X 13.5" X 8.5")
- 2) With Metal Lock Latches p/n SE920ML
and Plastic Lock Latches p/n SE920PL
are optional.
- 3) Bosses on bottom use a 1/4
self tapping screw.