

Freestanding Ranges

FFGF3054T D/S/W/B

30" Gas



Signature Features

One-Touch Self Clean

Your oven cleans itself - so you don't have to. Self clean options available in 2- and 3-hour cycles.

Quick Boil

Get meals on the table faster with our 17,000 BTU burner — water boils faster than the traditional setting.

Continuous Corner-to-Corner Grates

Move heavy pots and pans without lifting with continuous corner-to-corner grates.

Sealed Gas Burners

Enjoy easier cleanup and a burner that stays looking great.

Product Dimensions

Height (Max.)	47"
Width	29-7/8"
Depth (Including Handle)	29-1/4"

More Easy-To-Use Features

Electronic Kitchen Timer

Times up to 12 hours.

Store-More™ Storage Drawer

With the Store-More™ Storage Drawer, you will have extra space to store your cookware.

Delay Clean

Set the oven to begin cleaning on your schedule.

Built with American Pride

Designed, engineered and assembled in the U.S.A.

Low Simmer Burner

Perfect for cooking delicate foods and sauces.

Auto Shut-Off

As an extra safety measure, the oven will automatically shut off after 12 hours.

Color-Coordinated Oven Door with Extra-Large Window

Our extra-large oven window makes it easier to check on the status of your dish without having to open the oven door.

Timed Cook Option

Lets you set the oven to begin cooking at a predetermined time.

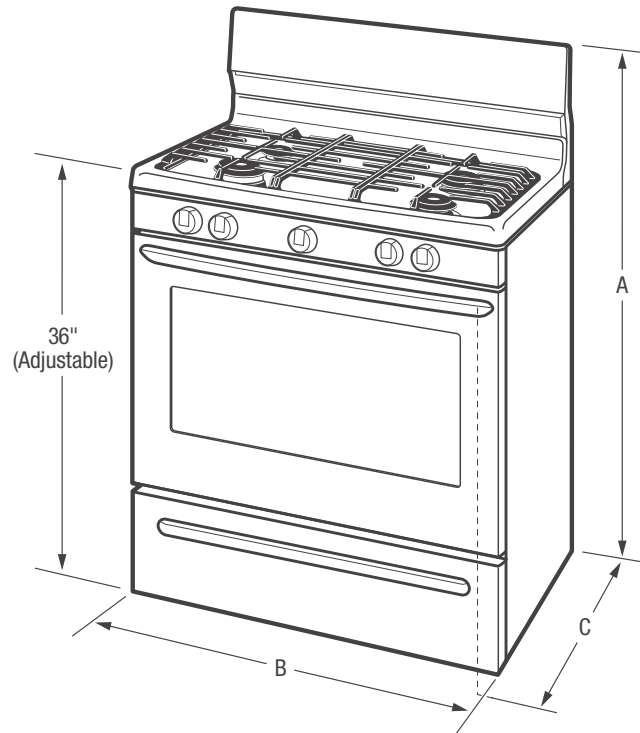
LP Gas Conversion Option

Available in:



Burners	BTU
Right Front	17,000
Right Rear	5,000
Left Front	9,500
Left Rear	12,000
Center Extra Zone	9,500

Features	
Oven Control/Timing System	Ready-Select® Controls
Surface Type	Black Porcelain (D/S), Color-Coordinated Porcelain (W/B)
Sealed Gas Burners	Yes
Grates	Continuous Cast Iron with Black Matte Finish
Window	Extra-Large
Exterior Door Finish	Black Stainless Steel (D), Stainless Steel (S), Color-Coordinated (W/B)
Handle Design	Black Stainless Steel (D), Stainless Steel (S), Color-Coordinated (W/B)
Exterior Finish (Side Panels)	Black (D/S), Color-Coordinated (W/B)
Convection System	
Oven Cleaning System	Self Clean
Drawer Functionality	Storage
Oven Controls	
Bake	Yes
Broil	Variable
Add-a-Minute	
Delay Bake	Yes
Self-Clean	2-, 3-Hour
Quick Clean Option	Yes
Delay Clean	Yes
Kitchen Timer	Yes
Timed Cook Option	Yes
Auto Oven Shut-Off	12 Hours
Oven Lock-Out	Yes
Cooktop Features	
Right Front Burner (BTU)	17,000
Right Rear Burner (BTU)	5,000
Left Front Burner (BTU)	9,500
Left Rear Burner (BTU)	12,000
Center Extra Zone Burner (BTU)	9,500
Oven Features	
Capacity (Cu. Ft.)	5.0
Oven Light	1
Hidden Bake	
Rack Configuration	2 Standard
Baking System	Even Baking Technology
Broiling System	Vari-Broil™ Hi/Lo
Bake Burner/Broil Burner (BTU)	18,000/13,500
Optional Accessories	
LP Gas Conversion Kit	PN# GRLP4
Specifications	
Oven Interior (H x W x D)	18-5/8" x 24-3/8" x 19-1/8"
Power Supply Connection Location	Middle Bottom Rear
Gas Supply Connection Location	Right Bottom Rear
Voltage Rating	120V/60Hz/5A
Amps @ 120 Volts	5
Shipping Weight (Approx.)	185 Lbs.



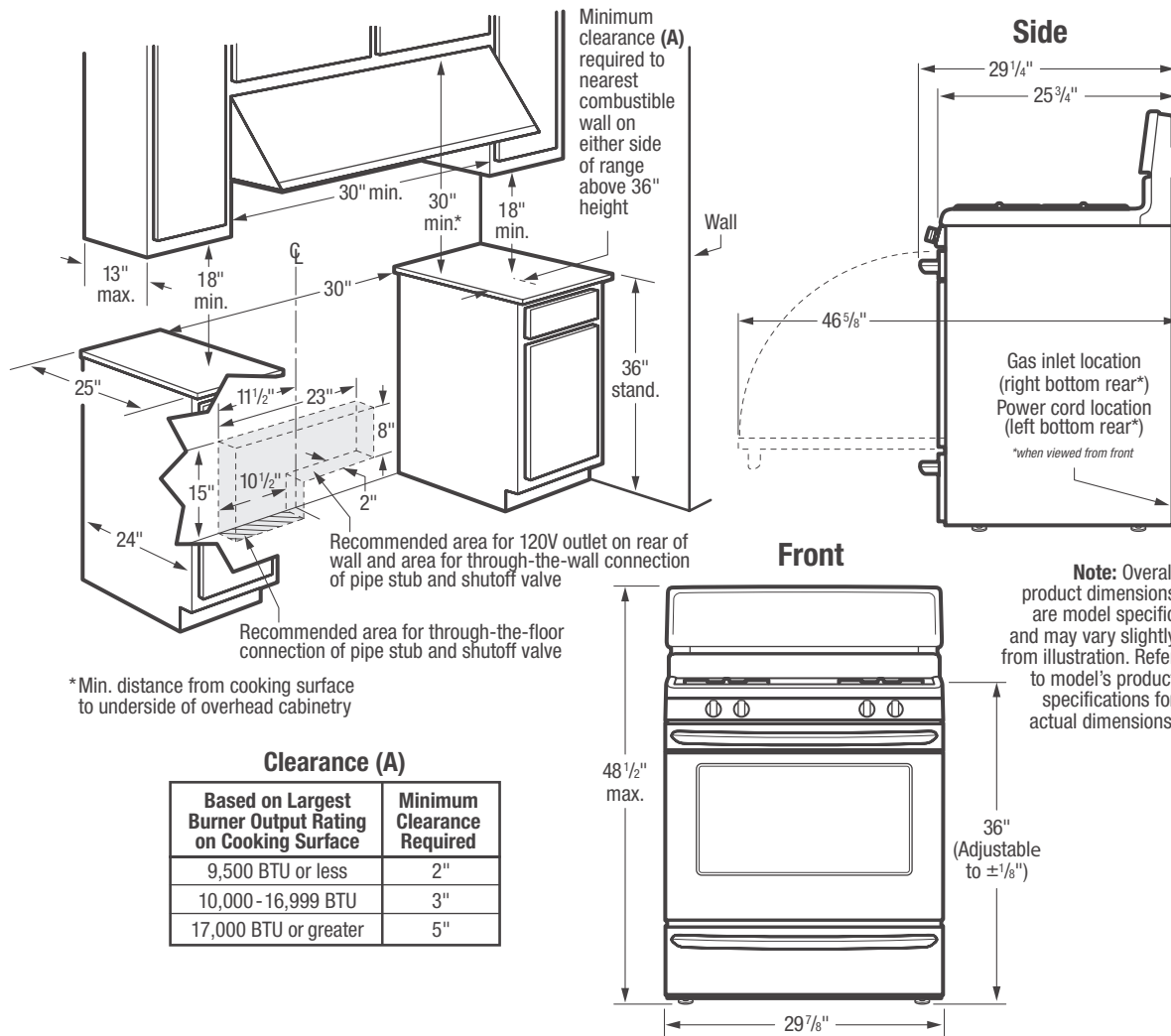
NOTE: For planning purposes only. Always consult local and national electric and gas codes. Refer to Product Installation Guide for detailed installation instructions on the web at frigidaire.com.



Product Dimensions	
A - Height (Max.)	47"
B - Width	29-7/8"
C - Depth (Including Handle)	29-1/4"
Depth with Door Open 90°	46-9/16"

Cabinet Cutout Dimensions	
Height (Standard)	36"
Width (Min.)	30"
Depth (Min.)	24"

Accessories information available on the web at frigidaire.com



Note: Overall product dimensions are model specific and may vary slightly from illustration. Refer to model's product specifications for actual dimensions.

Freestanding Range Specifications

- Product Shipping Weight (approx.) - 185 Lbs.
- Voltage Rating - 120V/60 Hz/5 Amps
- Amps @ 120 Volts = 5 Amps
- Always consult local and national electric and gas codes.
- Make sure wall coverings around range can withstand heat generated by range.
- Linoleum or any other synthetic floor covering located beneath range, must be capable of withstanding minimum heat of 90°F above room temperature without shrinking, warping or discoloring. Insulating pad or 1/4"-thick plywood required between range and a carpeted floor.
- Do not obstruct flow of combustion air at oven vent nor around base or beneath lower front panel of range. Range requires fresh air for proper burner combustion.
- Do not install range beneath any downward-blowing, overhead vent hood or air curtain.
- Range ships with 3/4" factory regulator.
- Range is LP Gas convertible. (Optional LP Gas Conversion Kit available.)
- Floor beneath range MUST be solid and level.

- Overhead cabinetry should not exceed a 13" maximum depth.
- Absolute minimum horizontal distance between overhead cabinets installed to either side of appliance must be no less than maximum width of appliance.
- Range can be installed flush to wall with 0" minimum rear clearance.
- Minimum clearance required (from edge of rangetop to nearest combustible wall on either side of range above 36" height) is based on largest burner output rating on cooking surface.
- To reduce risk of fire when using overhead cabinetry, install range hood that projects horizontally a recommended minimum of 5" beyond bottom of cabinets.
- Follow all dimension requirements provided to prevent property damage, potential fire hazard, and incorrect countertop and cabinet cuts.

Note: For planning purposes only. Refer to Product Installation Guide on the web at frigidaire.com for detailed instructions.

Optional Accessories

- LP Gas Conversion Kit - (PN# GRLP4).

