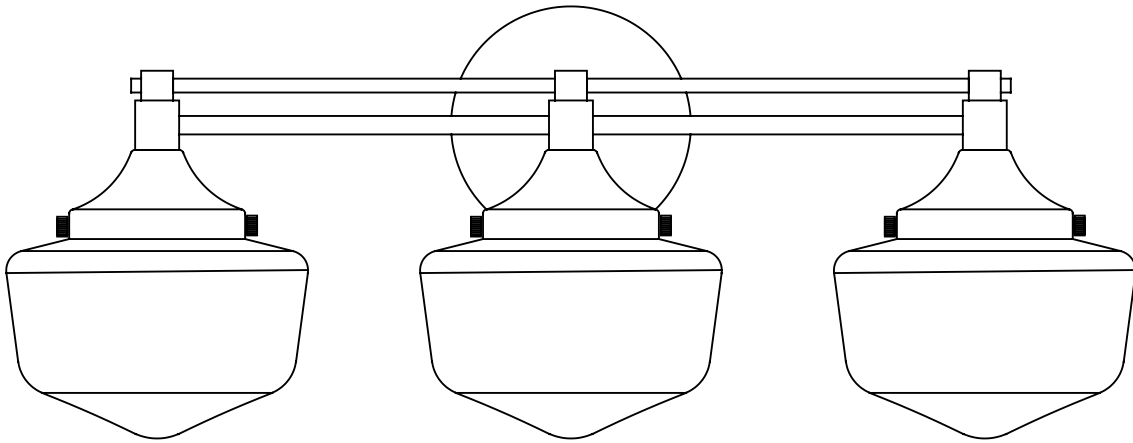


ASSEMBLY INSTRUCTIONS

MAYBRY VANITY LIGHT 3LT



Questions, problems, missing parts? Before returning to the store,
call Home Decorators Collection Customer Service
8 a.m. - 7 p.m., EST, Monday - Friday, 9 a.m. - 6 p.m., EST, Saturday

1-800-986-3460

HOMEDEPOT.COM/HOMEDECORATORS
HOMEDEPOT.CA

THANK YOU

We appreciate the trust and confidence you have placed in Home Decorators Collection through the purchase of this lamp. We strive to continually create quality products designed to enhance your home. Visit us online to see our full line of products available for your home improvement needs. Thank you for choosing Home Decorators Collection!

Table of Contents

Table of Contents	2	Tools Required	3
Safety Information	2	Package Contents	4
Warranty	2	Installation	5
What is Covered	2	Consumer Responsibilities	6
What is Not Covered	2	Maintenance	6
Pre-Installation	3	Troubleshooting	6
Planning Installation	3		

Safety Information



INSTRUCTIONS

- Before starting installation of this fixture or removal of a previous fixture, disconnect the power by turning off the circuit breaker or by removing the fuse at the fuse box.
- Consult a qualified electrician if you have any electrical questions or need to replace the driver.
- If you have any non-electrical questions about this fixture, please contact our Customer Service Team at 1-800-986-3460 or HOMEDEPOT.COM/HOMEDECORATORS or HOMEDEPOT.CA



WARNING

- **WARNING:** Disconnect the power prior to removing or installing a light fixture.

Warranty

WHAT IS COVERED

The manufacturer warrants this lighting fixture to be free from defects in materials and workmanship for a period of five (5) years from date of purchase. This warranty applies only to the original consumer purchaser and only to products used in normal use and service. If this product is found to be defective, the manufacturer's only obligation, and your exclusive remedy, is the repair or replacement of the product at the manufacturer's discretion, provided that the product has not been damaged through misuse, abuse, accident, modifications, alterations, neglect or mishandling.

WHAT IS NOT COVERED

This warranty shall not apply to any product that is found to have been improperly installed, set-up, or used in any way not in accordance with the instructions supplied with the product. This warranty shall not apply to a failure of the product as a result of an accident, misuse, abuse, negligence, alteration, or faulty installation, or any other failure not relating to faulty material or workmanship.

This warranty shall not apply to the finish on any portion of the product, such as surface and/or weathering, as this is considered normal wear and tear.

The manufacturer does not warrant and specially disclaims any warranty, whether expressed or implied, of fitness for a particular purpose, other than the warranty contained herein. The manufacturer specifically disclaims any liability and shall not be liable for any consequential or incidental loss or damage, including but not limited to any labor/expense costs involved in the replacement or repair of said product.

Contact the Customer Service Team at 1-800-986-3460 or visit HOMEDEPOT.COM/HOMEDECORATORS or HOMEDEPOT.CA.

Pre-Installation

PLANNING INSTALLATION

Read all instructions before assembly and installation. Before starting installation of the fixture or removal of a previous fixture, disconnect the power by turning off the circuit breaker or by removing the fuse at the fuse box. To avoid damaging this product, assemble it on a soft, non-abrasive surface such as carpet or cardboard.

TOOLS REQUIRED



Safety goggles



Screw driver



Ladder



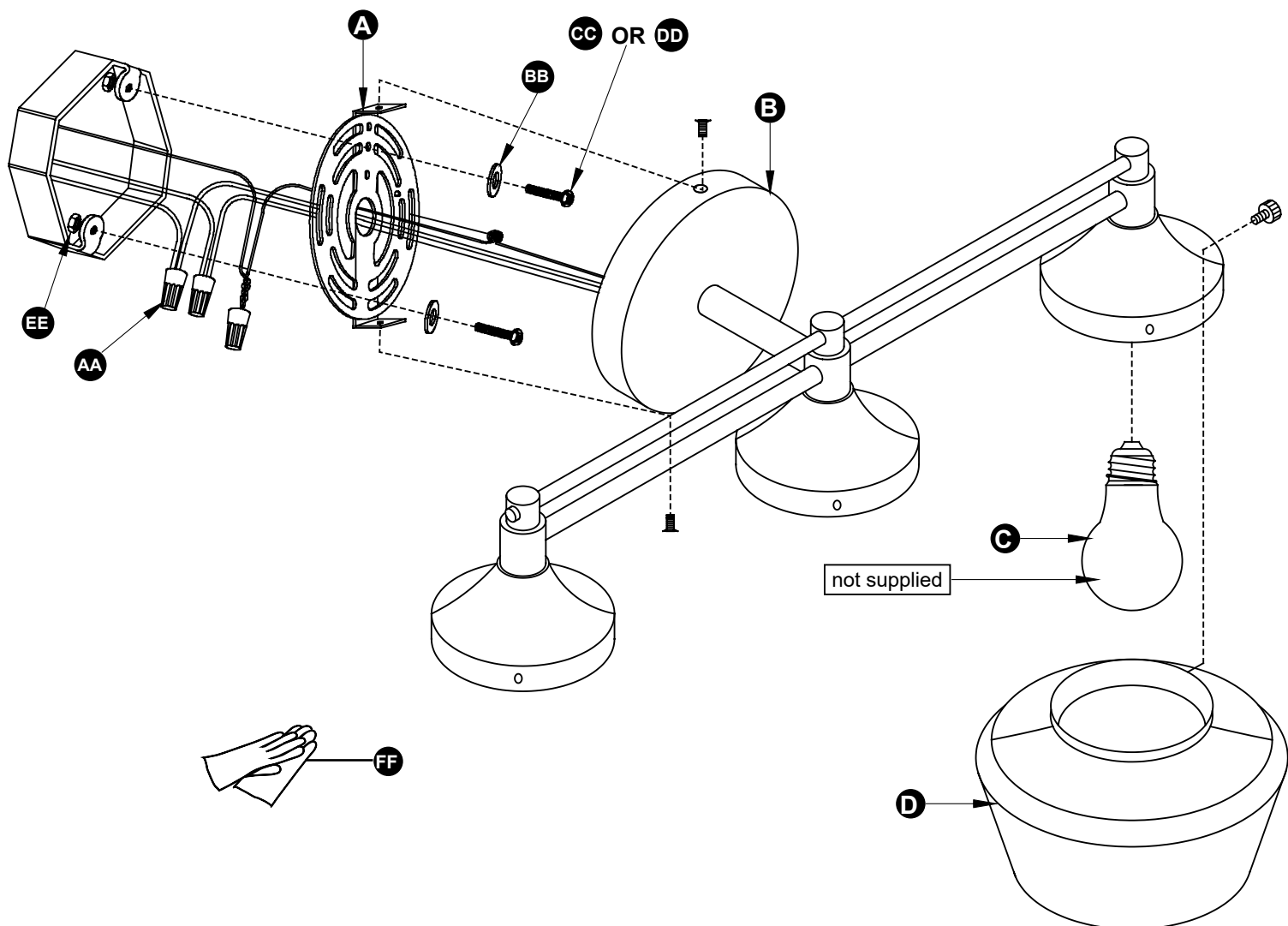
Wire cutter



Wire stripper

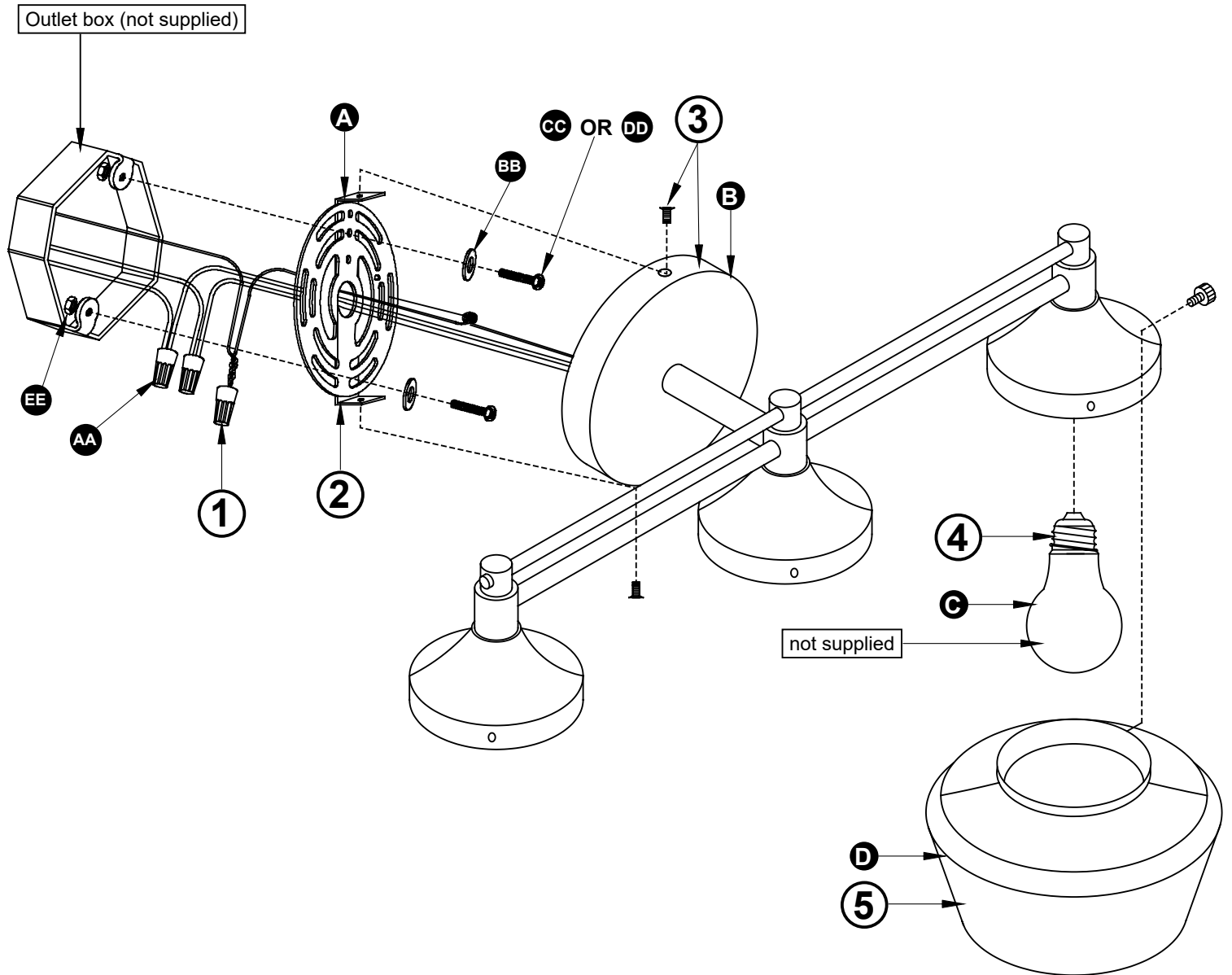
Pre-Installation (continued)

PACKAGE CONTENTS



Part	Description	Quantity
A	Mounting plate	1
B	Back plate	1
C	Bulb (not supplied)	3
D	Diffuser	3
AA	Twist-cap connector	3
BB	Washer	2
CC	Bolt	2
DD	Bolt	2
EE	Nut	2
FF	Glove	1

Installation



- ❑ Connect the lamp's neutral (N) and live (L) wires to your own, using the twist-cap connectors (AA). Fix the lamp's grounding wire to the mounting plate (A) by wrapping it around the grounding bolt, and then tightening the grounding bolt. Connect the lamp's grounding wire to your main grounding wire with a twist-cap connector (AA). Safely stuff the wires inside your outlet box.
- ❑ Install the mounting plate (A) to your outlet box with washers (BB), screws (CC / DD) and nuts (EE).
- ❑ Install the back plate (B) to the mounting plate (A) with provided bolts. Strongly tighten the bolts.
- ❑ Carefully install the bulbs (C) onto the lamp.
- ❑ Uninstall the bolts from the lamp, install the diffusers (D) onto the lamp with the provided bolts.

CAUTION: RISK OF FIRE, USE 3x MAX 60 WATTS, TYPE A E26 INCANDESCENT LAMP OR 3x MAX 7 WATTS TYPE A E26 LISTED SBLED LAMP.

Consumer Responsibilities

- Home Decorators Collection's lamps products will remain beautiful for many years if you properly care for them.
- Home Decorators Collection does not recommend the use of harsh abrasive cleansers on any of its products. Harsh cleansers will damage the finish of your lamp.

Maintenance

- Never use abrasive cleaners or strong bleach, scrapers, metallic brushes, or other objects or any products which can graze or tarnish surfaces.
- Use a dry or slightly dampened clean cloth and wipe the surface of the fixture.
- Disconnect power to the fixture by turning off the circuit breaker or by removing the fuse at the fuse box.

Troubleshooting

Problem	Correction
The light will not turn on.	<ul style="list-style-type: none">• Make sure the power supply is on.• Test or replace the switch.• Check the wiring.
The fuse blows or circuit breaker trips when light is turned on.	Check the wire connections.

**HOME
DECORATORS
COLLECTION®**

**Questions, problems, missing parts? Before returning to the store, call
Home Decorators Collection Customer Service.
8 a.m. - 7 p.m., EST, Monday - Friday, 9a.m. - 6 p.m., EST, Saturday**

1-800-986-3460

**HOMEDEPOT.COM/HOMEDECORATORS
HOMEDEPOT.CA**

Retain this manual for future use.