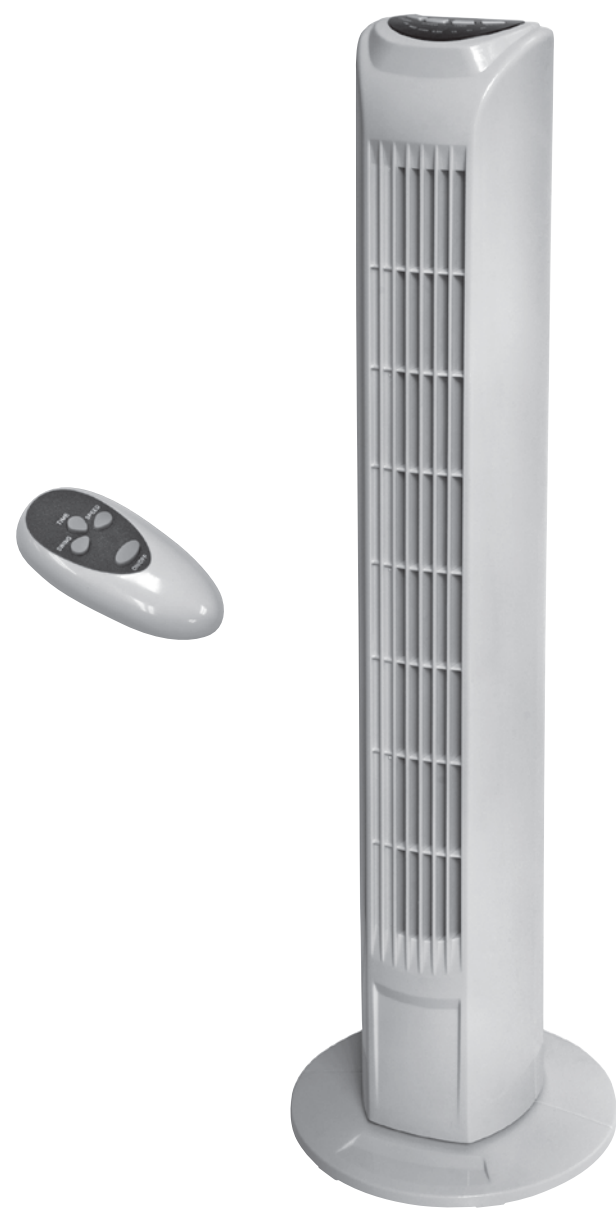


# COMFORT ZONE®

Model #CZTFR1



## Tower Fan with Remote

### Features:

- ON/OFF Switch with 3 Speed Settings
- Adjustable 7.5-hour Timer
- High Performance Centrifugal Blades
- Wide Area Oscillation
- Space Saving Design
- 120V A.C. / 60Hz.



Black border shows page size and should not print

### INTENDED USE:

This product is intended for indoor residential and office use only, not for industrial or other commercial applications. Use only with electrical wiring that is in good working order and that meets applicable codes and ordinances. If you have any questions whether your wiring is adequate, consult a qualified electrician.

This appliance is not intended for use by persons (including children) with reduced physical, sensory or mental capabilities, or lack of experience and knowledge, unless they have been given supervision or instruction concerning use of the appliance by a person responsible for their safety.

While using your fan, you should follow the IMPORTANT INSTRUCTIONS listed below. As part of those instructions, we have used the word **WARNING** to indicate the level of hazard: **WARNING** indicates a hazard which, if not avoided, could result in injury or death.

### IMPORTANT INSTRUCTIONS

As with all electrical appliances, basic safety precautions should always be followed to reduce the risk of electric shock, fire, or injury to persons, including the following precautions:

- Read all the instructions before using this fan.
- Use this fan only as described in this manual. Any other use not recommended by the manufacturer may cause electrical shock, fire or injury to persons.
- Do not operate the fan with a damaged power cord or after the fan malfunctions or has been dropped in any manner.
- Use of extreme caution is necessary when any fan is used by or near children, disabled persons or pets and whenever the fan is left operating unattended.
- Do not place the fan on a small, unlevel, uneven or any surface which might allow fan to tip or fall.
- For proper operation, fan should be placed on a smooth, non-combustible surface.
- Always unplug fan when not in use.
- Do not operate the fan with blade guards or any safety device removed.
- Avoid the use of extension cords due to risk of fire. If an extension cord must be used, the cord must be minimum 14 AWG and rated not less than 1875 watts.
- Do not run power cord under carpeting. Do not cover cord with throw rugs, runners or the like. Arrange cord away from traffic area where it will not be tripped over.
- Do not insert or allow any object to enter any openings on the fan. Doing so may cause electric shock and/or fire hazard.

Please Save These Instructions

### WARNING: SHOCK HAZARD

Use your fan only in dry environments. This fan is not

intended for use in a bathroom, laundry area, or similar locations, near sinks, washing machines, swimming pools or other sources of water. Never locate fan where it may fall into a bathtub or other water receptacle. Do not use in damp environments such as flooded basements.

### WARNING: HOT SURFACES

Do not touch fan motor when in use. This motor is hot when in use, to avoid burns, do not let bare skin touch hot surfaces.

### WARNING: FIRE HAZARD

Fans have arcing or sparking parts inside. Do not use near combustible materials or flammable gases or sources of heat. DO NOT USE in areas where gasoline, paint or flammable materials are used or stored. To prevent a possible fire, do not block air intakes or exhaust in any manner. Do not insert or allow foreign objects to enter any ventilation or exhaust opening as this may cause an electric shock, fire, or damage the fan.

### WARNING: ELECTRICAL SHOCK HAZARD

Do not use with damaged cord or plug. Use with adequate electrical system that is up to code.

CAUTION-TO PREVENT ELECTRIC SHOCK, this appliance has a two prong plug that must be inserted into a matching properly grounded outlet to reduce the risk of electrical shock. This fan has a polarized plug (one blade is wider than the other). To reduce the risk of electric shock, this plug is designed to fit a polarized outlet only one way. If the plug does not fit fully into the outlet, reverse the plug. If the plug still does not fit, contact a qualified electrician. Do not attempt to defeat this safety feature.

This product employs overload protection (fuse). A blown fuse indicates an overload or short-circuit situation. If the fuse blows, unplug the product from the outlet. Replace the fuse as per the user servicing instructions (follow product marking for proper fuse rating) and check the product. If the replacement fuse blows, a short-circuit may be present and the product should be discarded or returned to an authorized service facility for examination and/or repair.

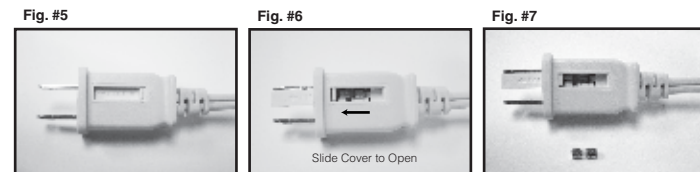
DO NOT operate any fan with a damaged cord or plug or after fan malfunctions, has been dropped or damaged in any manner. Do not operate fan with a broken blade, safety cage or any visual imperfections. For repairs covered under warranty, see warranty statement. For all other repairs contact Comfort Zone's® Customer Service by telephone or mail for information and assistance.

Black border shows page size and should not print

DO NOT run power cord under carpeting. DO NOT cover cord with throw rugs, runners or the like. Arrange cord away from traffic area where it will not be tripped over. Avoid the use of extension cords due to risk of fire. If an extension cord must be used, the cord must be minimum 14 AWG and rated not less than 1875 watts. Do not use an extension cord unless the plug can be completely inserted into its receptacle. Unplug the fan when not in use. Do not operate fan with its ventilation obstructed.

### FUSE REPLACEMENT:

1. Grasp plug and remove from the receptacle or other outlet device. Do not unplug by pulling on cord.
2. Open fuse cover by sliding open fuse access cover on top of attachment plug towards blades. See Fig. #6.
3. Remove fuse carefully. Use a small tool to pry the end of the fuse from holder cavity. Be careful not to break glass window.
4. Replace fuse. WARNING: Risk of fire. Replace fuse only with identical 2.5 Amp, 125 Volt fuse (3.6mm x 10mm). Be sure fuse is properly seated within its cavity.
5. Close fuse cover by sliding it back to its original closed position.



### USAGE:

**FAN OPERATION:** Always operate the fan in the upright position following all instructions and recommendations listed in this manual **FAN LOCATION:** Place the fan in the area of the room that will provide proper fan cooling. **FAN CONNECTION:** Plug fan directly into 120 volt A.C., 60 Hz wall outlet. Be sure plug fits tightly in outlet. A loose connection may cause overheating and damage to the plug or fan. **NOTE:** To prevent overloading a circuit, do not plug the fan into a circuit that is servicing other electrical needs.

**TURNING FAN ON/OFF:** Place fan on stable level surface. Plug fan into proper polarized outlet. To start the fan press ON/OFF button. Press ON/OFF button again to turn fan off. Unplug fan when not in use.

**FAN SPEED:** Press SPEED button to desired fan speed (1, 2 or 3).

**OSCILLATION FEATURE:** This fan can oscillate from side to side for full room coverage. To use this feature press the SWING button on the Control Panel while using any fan speed or while using the timer function.

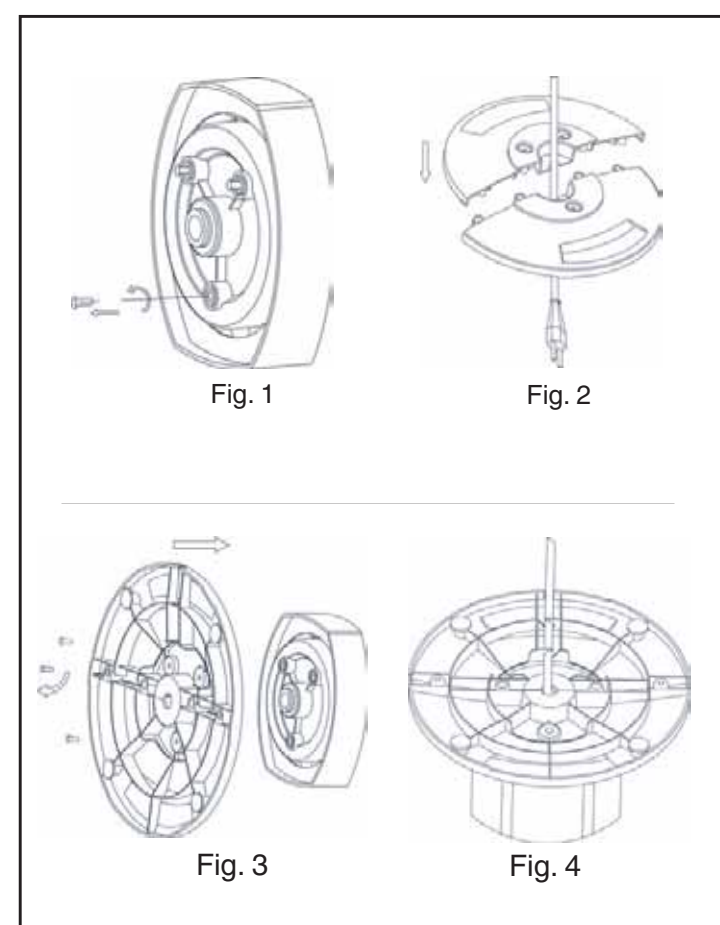
**TIMER FEATURE:** The timer function is designed to work using oscillation or any fan speed. With a fan speed chosen press the TIME button. Each time the TIME button is pressed additional time duration lights illuminate. Simply add the value of the lights and it is your set time. To turn the timer function off, press the TIME button continuously until all the lights are off.



**FAN BASE ASSEMBLY:** Simple assembly is required to use this fan.

1. Remove and save the pre-installed screws from the underside of the fan, see Fig.1.
2. Assemble the two pieces of the base with power wire passing through the center, see Fig. 2.
3. Place assembled base onto the bottom of the tower fan and align the screw openings to the open screw holes from Step #1. Screw down base using screws saved earlier.
4. Place wire through wire holders as shown in Fig. 4.

**REMOTE CONTROL:** Place 2ea. AAA size batteries in the remote control. Use the buttons on the remote as you would with the top control panel. Point the remote control towards the control panel for the sensor to receive a signal.



### CARE AND MAINTENANCE

**CLEANING:** CAUTION-Before cleaning the fan be sure to disconnect power cord from the plug. Clean the grill surface with a clean damp cloth. Do not use harsh chemical or abrasive cleaners. DO NOT IMMERSE THE FAN OR ANY WIRES IN WATER. Replace front grill before fan use. Allow fan to dry completely before use. Periodic grill cleaning with a vacuum will prevent dust build up. The motor is sealed and does not require any interior maintenance, cleaning or lubrication.

**MAINTENANCE:** The Internal motor bearings are permanently lubricated at the factory and do not require any additional lubrication.

### LIMITED WARRANTY

Products manufactured by Comfort Zone are warranted to the original consumer to be free of defects in material and workmanship for twelve (12) months from the original date of purchase. The warranty does not cover products modified outside our factory, damage or failure caused by acts of God, abuse, misuse, abnormal usage, faulty installation, failure to follow suggested maintenance procedures enclosed with this product (as defined by Magnuson-Moss Warranty-Federal Trade Commission Improvement Act) This unit is guaranteed to the original retail purchaser against defects in quality or workmanship for a period of one year from the date of original purchase. If this unit fails because of a manufacturing defect within 30 days of purchase, return the unit, with your receipt, to the retailer. After 30 days, but within the warranty period, if the unit was purchased within the continental United States, return it, freight prepaid, to Comfort Zone, for repair or replacement. If the unit was purchased outside the continental United States, return the unit to the place of purchase. This warranty does not cover damage due to accidents, operation on other than 120 volts, 60 hertz, AC, current, or any other abuse. All implied warranties, including the warranties of merchantability and of fitness of purpose, if applicable, are hereby limited in duration to the period of one year from the date of original retail purchase. Some States do not allow limitations on how long an implied warranty lasts, so the above limitations may not apply to you. Incidental or consequential damages arising from a breach of either express or implied warranties are hereby disclaimed and excluded. Some states do not allow the exclusion of limitation of incidental or consequential damages, so this limitation or exclusion may not apply to you.

This warranty gives you specific legal rights, and you may also have other rights which vary from state to state. No informal dispute settlement mechanisms are available. This limited warranty is given in lieu of all other warranties.

Manufactured by:  
Comfort Zone  
324A Half Acre Rd.  
Cranbury, NJ 08512 USA  
800-221-6895  
www.comfortzonefans.com

Black border shows page size and should not print