



REGISTER YOUR TOOLS
<http://register.ryobitools.com>
 1-800-525-2579

OPERATOR'S MANUAL
MANUEL D'UTILISATION
MANUAL DEL OPERADOR
18 VOLT OSCILLATING
MULTI-TOOL
OSCILLANT OUTIL
POLYVALENT 18 V
OSCILANTE
MULTI-HERRAMIENTAS 18 V
PBLMT50

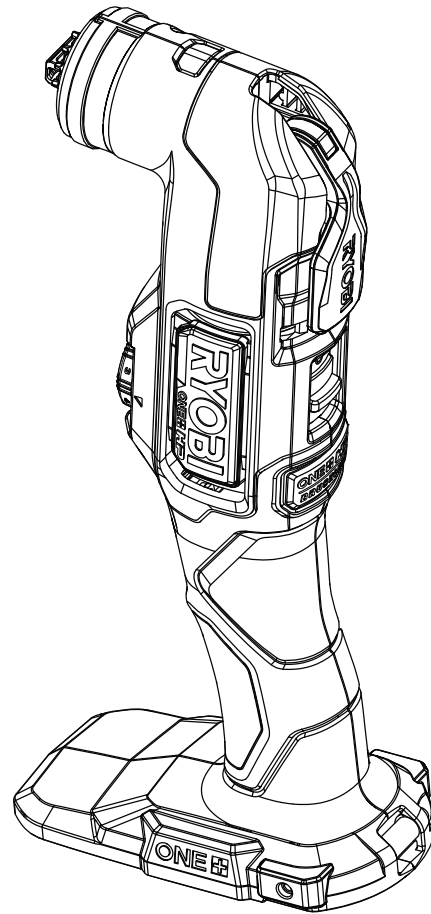


TABLE OF CONTENTS

- General Power Tool Safety Warnings.....2-3
- Multi-Tool Safety Warnings3-4
- Symbols.....4-5
- Features.....5
- Assembly.....5
- Operation.....6-8
- Maintenance.....8
- Troubleshooting.....8
- Illustrations.....9
- Parts Ordering and Service Back page

TABLE DES MATIÈRES

- Avertissements de sécurité générales relatives aux outils électriques..... 2-3
- Avertissements de sécurité relatifs au outil polyvalent.....4
- Symboles.....5
- Caractéristiques5
- Assemblage.....6
- Utilisation 6-8
- Entretien8
- Dépannage.....8
- Illustrations9
- Commande de pièces et dépannage Page arrière

ÍNDICE DE CONTENIDO

- Advertencias de seguridad para herramientas eléctrica 2-3
- Advertencias de seguridad para multi-herramientas.....4
- Símbolos5
- Características5
- Armado.....6
- Funcionamiento..... 6-8
- Mantenimiento8
- Corrección de problemas.....8
- Ilustraciones9
- Pedidos de piezas y servicio..... Pág. posterior

⚠ WARNING: To reduce the risk of injury, the user must read and understand the operator's manual before using this product.

⚠ AVERTISSEMENT : Pour réduire les risques de blessures, l'utilisateur doit lire et veiller à bien comprendre le manuel d'utilisation avant d'employer ce produit.

⚠ ADVERTENCIA: Para reducir el riesgo de lesiones, el usuario debe leer y comprender el manual del operador antes de usar este producto.

SAVE THIS MANUAL FOR FUTURE REFERENCE

CONSERVER CE MANUEL POUR FUTURE RÉFÉRENCE

GUARDE ESTE MANUAL PARA FUTURAS CONSULTAS

GENERAL POWER TOOL SAFETY WARNINGS

WARNING

Read all safety warnings, instructions, illustrations and specifications provided with this power tool. Failure to follow all instructions listed below may result in electric shock, fire and/or serious injury.

Save all warnings and instructions for future reference. The term “power tool” in the warnings refers to your mains-operated (corded) power tool or battery-operated (cordless) power tool.

WORK AREA SAFETY

- **Keep work area clean and well lit.** Cluttered or dark areas invite accidents.
- **Do not operate power tools in explosive atmospheres, such as in the presence of flammable liquids, gases or dust.** Power tools create sparks which may ignite the dust or fumes.
- **Keep children and bystanders away while operating a power tool.** Distractions can cause you to lose control.

ELECTRICAL SAFETY

- **Power tool plugs must match the outlet. Never modify the plug in any way. Do not use any adapter plugs with earthed (grounded) power tools.** Unmodified plugs and matching outlets will reduce risk of electric shock.
- **Avoid body contact with earthed or grounded surfaces, such as pipes, radiators, ranges and refrigerators.** There is an increased risk of electric shock if your body is earthed or grounded.
- **Do not expose power tools to rain or wet conditions.** Water entering a power tool will increase the risk of electric shock.
- **Do not abuse the cord. Never use the cord for carrying, pulling or unplugging the power tool. Keep cord away from heat, oil, sharp edges or moving parts.** Damaged or entangled cords increase the risk of electric shock.
- **When operating a power tool outdoors, use an extension cord suitable for outdoor use.** Use of a cord suitable for outdoor use reduces the risk of electric shock.
- **If operating a power tool in a damp location is unavoidable, use a ground fault circuit interrupter (GFCI) protected supply.** Use of a GFCI reduces the risk of electric shock.
- **Use this product only with batteries and chargers listed in tool/appliance/battery pack/charger correlation supplement 987000-432.**

PERSONAL SAFETY

- **Stay alert, watch what you are doing and use common sense when operating a power tool. Do not use a power tool while you are tired or under the influence of drugs, alcohol or medication.** A moment of inattention while operating power tools may result in serious personal injury.

- **Use personal protective equipment. Always wear eye protection.** Protective equipment such as dust mask, non-skid safety shoes, hard hat, or hearing protection used for appropriate conditions will reduce personal injuries.
- **Prevent unintentional starting. Ensure the switch is in the off-position before connecting to power source and/or battery pack, picking up or carrying the tool.** Carrying power tools with your finger on the switch or energizing power tools that have the switch on invites accidents.
- **Remove any adjusting key or wrench before turning the power tool on.** A wrench or a key left attached to a rotating part of the power tool may result in personal injury.
- **Do not overreach. Keep proper footing and balance at all times.** This enables better control of the power tool in unexpected situations.
- **Dress properly. Do not wear loose clothing or jewelry. Keep your hair, clothing and gloves away from moving parts.** Loose clothes, jewelry or long hair can be caught in moving parts.
- **If devices are provided for the connection of dust extraction and collection facilities, ensure these are connected and properly used.** Use of dust collection can reduce dust-related hazards.
- **Do not let familiarity gained from frequent use of tools allow you to become complacent and ignore tool safety principles.** A careless action can cause severe injury within a fraction of a second.
- **Do not wear loose clothing or jewelry.** Contain long hair. Loose clothes, jewelry, or long hair can be drawn into air vents.
- **Do not use on a ladder or unstable support.** Stable footing on a solid surface enables better control of the power tool in unexpected situations.

POWER TOOL USE AND CARE

- **Do not force the power tool. Use the correct power tool for your application.** The correct power tool will do the job better and safer at the rate for which it was designed.
- **Do not use the power tool if the switch does not turn it on and off.** Any power tool that cannot be controlled with the switch is dangerous and must be repaired.
- **Disconnect the plug from the power source and/or remove the battery pack, if detachable, from the power tool before making any adjustments, changing accessories, or storing power tools.** Such preventive safety measures reduce the risk of starting the power tool accidentally.
- **Store idle power tools out of the reach of children and do not allow persons unfamiliar with the power tool or these instructions to operate the power tool.** Power tools are dangerous in the hands of untrained users.

GENERAL POWER TOOL SAFETY WARNINGS

- **Maintain power tools and accessories.** Check for misalignment or binding of moving parts, breakage of parts and any other condition that may affect the power tool's operation. If damaged, have the power tool repaired before use. Many accidents are caused by poorly maintained power tools.
- **Keep cutting tools sharp and clean.** Properly maintained cutting tools with sharp cutting edges are less likely to bind and are easier to control.
- **Use the power tool, accessories and tool bits etc. in accordance with these instructions, taking into account the working conditions and the work to be performed.** Use of the power tool for operations different from those intended could result in a hazardous situation.
- **Keep handles and grasping surfaces dry, clean and free from oil and grease.** Slippery handles and grasping surfaces do not allow for safe handling and control of the tool in unexpected situations.

BATTERY TOOL USE AND CARE

- **Recharge only with the charger specified by the manufacturer.** A charger that is suitable for one type of battery pack may create a risk of fire when used with another battery pack.
- **Use power tools only with specifically designated battery packs.** Use of any other battery packs may create a risk of injury and fire.
- **When battery pack is not in use, keep it away from other metal objects, like paper clips, coins, keys, nails,**

screws or other small metal objects, that can make a connection from one terminal to another. Shorting the battery terminals together may cause burns or a fire.

- **Under abusive conditions, liquid may be ejected from the battery; avoid contact. If contact accidentally occurs, flush with water. If liquid contacts eyes, additionally seek medical help.** Liquid ejected from the battery may cause irritation or burns.
- **Do not use a battery pack or tool that is damaged or modified.** Damaged or modified batteries may exhibit unpredictable behavior resulting in fire, explosion, or risk of injury.
- **Do not expose a battery pack or tool to fire or excessive temperature.** Exposure to fire or temperature above 265° F may cause explosion.
- **Follow all charging instructions and do not charge the battery pack or tool outside the temperature range specified in the instructions.** Charging improperly or at temperatures outside the specified range may damage the battery and increase the risk of fire.

SERVICE

- **Have your power tool serviced by a qualified repair person using only identical replacement parts.** This will ensure that the safety of the power tool is maintained.
- **Never service damaged battery packs.** Service of battery packs should only be performed by the manufacturer or authorized service providers.

MULTI-TOOL SAFETY WARNINGS

- **Hold the power tool by insulated gripping surfaces, when performing an operation where the cutting accessory may contact hidden wiring.** Cutting accessory contacting a “live” wire may make exposed metal parts of the power tool “live” and could give the operator an electric shock.
- **Use clamps or another practical way to secure and support the workpiece to a stable platform.** Holding the work by hand or against your body leaves it unstable and may lead to loss of control.
- **Know your power tool. Read operator's manual carefully. Learn its applications and limitations, as well as the specific potential hazards related to this power tool.** Following this rule will reduce the risk of electric shock, fire, or serious injury.
- **Always wear eye protection with side shields marked to comply with ANSI Z87.1 when assembling parts, operating the tool, or performing maintenance.** Following this rule will reduce the risk of serious personal injury.




- **Protect your lungs. Wear a face or dust mask if the operation is dusty.** Following this rule will reduce the risk of serious personal injury.
- **Protect your hearing. Wear hearing protection during extended periods of operation.** Following this rule will reduce the risk of serious personal injury.
- **Battery tools do not have to be plugged into an electrical outlet; therefore, they are always in operating condition. Be aware of possible hazards when not using your battery tool or when changing accessories.** Following this rule will reduce the risk of electric shock, fire, or serious personal injury.
- **Do not place battery tools or their batteries near fire or heat.** This will reduce the risk of explosion and possibly injury.
- **Do not crush, drop or damage battery pack. Do not use a battery pack or charger that has been dropped or received a sharp blow.** A damaged battery is subject to explosion. Properly dispose of a dropped or damaged battery immediately.

MULTI-TOOL SAFETY WARNINGS






- **Batteries can explode in the presence of a source of ignition, such as a pilot light.** To reduce the risk of serious personal injury, never use any cordless product in the presence of open flame. An exploded battery can propel debris and chemicals. If exposed, flush with water immediately.
- **Do not charge battery tool in a damp or wet location. Do not use, store, or charge battery packs or products in locations where the temperature is less than 50°F or more than 100°F.** Do not store outside or in vehicles.
- **Under extreme usage or temperature conditions, battery leakage may occur. If liquid comes in contact with your skin, wash immediately with soap and water. If liquid gets into your eyes, flush them with clean water for at least 10 minutes, then seek immediate medical attention.** Following this rule will reduce the risk of serious personal injury.
- **Save these instructions.** Refer to them frequently and use them to instruct others who may use this tool. If you loan someone this tool, loan them these instructions also.

SYMBOLS

The following signal words and meanings are intended to explain the levels of risk associated with this product.

SYMBOL	SIGNAL	MEANING
	DANGER:	Indicates a hazardous situation, which, if not avoided, will result in death or serious injury.
	WARNING:	Indicates a hazardous situation, which, if not avoided, could result in death or serious injury.
	CAUTION:	Indicates a hazardous situation, that, if not avoided, may result in minor or moderate injury.
	NOTICE:	(Without Safety Alert Symbol) Indicates information considered important, but not related to a potential injury (e.g. messages relating to property damage).

Some of the following symbols may be used on this product. Please study them and learn their meaning. Proper interpretation of these symbols will allow you to operate the product better and safer.

SYMBOL	NAME	DESIGNATION/EXPLANATION
	Safety Alert	Indicates a potential personal injury hazard.
	Read Operator's Manual	To reduce the risk of injury, user must read and understand operator's manual before using this product.
	Eye Protection	Always wear eye protection with side shields marked to comply with ANSI Z87.1.
	Wet Conditions Alert	Do not expose to rain or use in damp locations.
	Recycle Symbol	This product uses lithium-ion (Li-ion) batteries. Local, state or federal laws may prohibit disposal of batteries in ordinary trash. Consult your local waste authority for information regarding available recycling and/or disposal options.

SYMBOLS

Some of the following symbols may be used on this product. Please study them and learn their meaning. Proper interpretation of these symbols will allow you to operate the product better and safer.

SYMBOL	NAME	DESIGNATION/EXPLANATION
V	Volts	Voltage
min	Minutes	Time
==	Direct Current	Type or a characteristic of current
n_0	No Load Speed	Rotational speed, at no load
.../min	Per Minute	Revolutions, strokes, surface speed, oscillations etc., per minute

FEATURES

PRODUCT SPECIFICATIONS

Speed (OPM) 10,000–20,000/min
 Oscillation 3.6 degrees

ASSEMBLY

WARNING:

Do not use this product if it is not completely assembled or if any parts appear to be missing or damaged. Use of a product that is not properly and completely assembled or with damaged or missing parts could result in serious personal injury.

WARNING:

Do not attempt to modify this product or create accessories or attachments not recommended for use with this product. Any such alteration or modification is misuse and could result in a hazardous condition leading to possible serious personal injury.

If any parts are damaged or missing, please call 1-800-525-2579 for assistance.

OPERATION

WARNING:

Do not allow familiarity with this product to make you careless. Remember that a careless fraction of a second is sufficient to inflict serious injury.

WARNING:

Always remove battery pack from the tool when you are assembling parts, making adjustments, cleaning, or when not in use. Removing battery pack will prevent accidental starting that could cause serious personal injury.

WARNING:

Always wear eye protection with side shields marked to comply with ANSI Z87.1. Failure to do so could result in objects being thrown into your eyes and other possible serious injuries.

WARNING:

Do not use any attachments or accessories not recommended by the manufacturer of this product. The use of attachments or accessories not recommended can result in serious personal injury.

APPLICATIONS

You may use this product for the purposes listed below:

- Cutting wood, drywall, plastic
- Detailed sanding
- Using accessories identified as compatible with this multi-tool

THERMAL PROTECTIVE DEVICE

If the motor becomes overheated, the LED will flash and the motor will automatically cut off. If this happens, release the switch trigger and let the motor cool.

NOTE: The tool will not operate until the motor cools.

LED LIGHT

The LED light, located on the front of the tool, illuminates when the switch is placed in the ON (I) position.

WARNING:

Before installing the battery pack, always check to be sure it is not in the ON (I) position. Failure to ensure that it is not in the OFF (O) position could result in accidental starting of the tool resulting in possible serious injury.

ON/OFF SWITCH

See Figure 1, page 9.

- **To turn the multi tool on:** Slide the switch button to the ON (I) position.
- **To turn the multi tool off:** Slide the switch button to the OFF (O) position.

WARNING:

Battery tools are always in operating condition. Place the tool in the **OFF** position when not in use or carrying at your side.

VARIABLE SPEED DIAL

See Figure 2, page 9.

The variable speed dial, located on the bottom of the tool, allows the multi tool to operate at different speeds. The maximum speed can be adjusted before or during operation.

- The tool is in the **LOW** position when the variable speed dial is turned fully clockwise to “1” position.

NOTE: You should feel the dial click into the detent when the dial is turned.

- Continue turning the dial counterclockwise to select higher speeds.
- Turn the dial clockwise to decrease speed.
- Slide the switch to the ON (I) position to begin operation.

NOTE: Running at low speeds under constant usage may cause the tool to become overheated. If this occurs, cool the tool by running it without a load and at full speed.

INSTALLING/REMOVING BATTERY PACK

See Figure 3, page 9.

- Make sure the switch is in the OFF (O) position
- Insert the battery pack into the battery port as shown.
- Make sure the latches on the battery pack snaps into place and the battery pack is secured in the product before beginning operation.
- Depress the latches to release and remove the battery pack.

For complete charging instructions, see the operator’s manuals for your battery pack and charger.

OPERATION

INSTALLING ACCESSORIES

See Figures 4 - 6, page 10.

- Remove the battery pack.
- Lift the blade release lever to the raised position.
- Continue to lift the blade release lever to the unlocked position, releasing the locking clamp.
NOTE: It is normal to feel additional resistance when moving the blade release lever to the unlocked position.
- Slide the locking clamp and open it to the unlocked position as shown.
- Place the accessory on the multi tool head so that the openings on the accessory's mounting base fit onto the raised parts of the head.
- Close the locking clamp and slide it back to its locked position.
- Lower the blade release lever to lock the accessory onto the base. Be sure it is in the locked position before use.

NOTE: If the locking clamp is not centered on the blade base before attempting to lock the blade release lever, the locking clamp will return to its unlocked position. Make sure the locking clamp is in its locked position before using the multi tool.

WARNING:

Do not wear loose clothing or jewelry when operating this tool. They could get caught in moving parts causing serious injury. Keep head away from tool and work area. Hair could be drawn into tool causing serious injury.

WARNING:

Unsecured work could be thrown towards the operator, causing injury.

WARNING:

Keep hands away from blades. Do not reach beneath work or around or over the blade while blade is moving. Do not attempt to remove cut material when blade is moving.

CUTTING

See Figure 7, page 10.

- Mark the line of cut clearly.
- Hold the tool firmly in front of and clearly away from you. Make sure blade is clear of any foreign material.
- Slide the on/off switch to the ON (I) position to start the cutting action. Allow the blade to come to full speed, then move the blade into the work.
- To cut, keep the teeth of the blade in the workpiece surface and move the back of the tool slowly in a constant sideways motion.

NOTE: If the line and writing on the blade looks blurry when in use, you are using the correct amount of pressure. If they become clear, you are using too much force.

NOTICE:

Do not force. Use only enough pressure to keep the saw cutting. Let the blade and saw do the work. Use of excessive pressure will cause strong vibrations to the tool, which may result in broken blades and cause premature wear to the tool's motor.

SANDPAPER SELECTION

Selecting the correct size grit and type sandpaper is an extremely important step in achieving a high quality sanded finish. Aluminum oxide, silicon carbide, and other synthetic abrasives are best for power sanding. Natural abrasives, such as flint and garnet are too soft for economical use in power sanding.

In general, coarse grit will remove the most material and finer grit will produce the best finish in all sanding operations. The condition of the surface to be sanded will determine which grit will do the job. If the surface is rough, start with a coarse grit and sand until the surface is uniform. Medium grit may then be used to remove scratches left by the coarser grit and finer grit used for finishing of the surface. Always continue sanding with each grit until surface is uniform.

OPERATION

SANDING

See Figure 8, page 10.

Install the detail sanding backing pad and attach desired sandpaper. Hold tool in front and away from you, keeping it clear of the workpiece. Start the tool and let the motor build to its maximum speed, then gradually lower on the work with a slight forward movement. Move the tool slowly over workpiece using forward and backward or side to side strokes. Upon completion of sanding operation, always remove tool from workpiece before turning it off.

Do not force. The weight of the unit supplies adequate pressure, so let the sandpaper and tool do the work. Applying additional pressure only slows the motor, rapidly wears sandpaper, and greatly reduces tool speed. Excessive pressure will overload the motor causing possible damage from motor overheating and can result in inferior work. Any finish or resin on wood may soften from the frictional heat. Do not allow sanding on one spot too long as tool's rapid action may remove too much material, making the surface uneven.

MAINTENANCE

WARNING:

When servicing, use only identical replacement parts. Use of any other part could create a hazard or cause product damage.

GENERAL MAINTENANCE

Avoid using solvents when cleaning plastic parts. Most plastics are susceptible to damage from various types of commercial solvents and can be damaged by their use. Use clean cloths to remove dirt, dust, oil, grease, etc.

TROUBLESHOOTING

LED LIGHT FUNCTIONS

TOOL STATUS	LED LIGHT SCENARIO	ACTION REQUIRED
Normal	Solid Light (No Flashes)	No Action Needed
Low Battery	3 Flashes	Replace Battery
Excessive Force	6 Flashes	Wait 5 Seconds
Over Temperature	9 Flashes	Let Tool Cool Off

*More than 9 flashes will result in the need to remove the battery and reinsert a few minutes later.

**ILLUSTRATIONS START ON PAGE 9 AFTER
FRENCH AND SPANISH LANGUAGE SECTIONS.**

AVERTISSEMENTS DE SÉCURITÉ GÉNÉRALES RELATIVES AUX OUTILS ÉLECTRIQUES



AVERTISSEMENT

Lire les avertissements de sécurité, les instructions et les précisions et consulter les illustrations fournis avec cet outil électrique. Le fait de ne pas se conformer à l'ensemble des consignes présentées ci-dessous risque d'entraîner des décharges électriques, un incendie et/ou des blessures graves.

Conserver les avertissements et les instructions à des fins de référence ultérieure. Le terme « outil électrique », utilisé dans tous les avertissements ci-dessous désigne tout outil fonctionnant sur secteur (câblé) ou sur piles (sans fil).

SÉCURITÉ DU LIEU DE TRAVAIL

- **Garder le lieu de travail propre et bien éclairé.** Les endroits encombrés ou sombres sont propices aux accidents.
- **Ne pas utiliser d'outils électriques dans des atmosphères explosives, par exemple en présence de liquides, gaz ou poussières inflammables.** Les outils électriques produisent des étincelles risquant d'enflammer les poussières ou vapeurs.
- **Garder les enfants et badauds à l'écart pendant l'utilisation d'un outil électrique.** Les distractions peuvent causer une perte de contrôle.

SÉCURITÉ ÉLECTRIQUE

- **Les fiches des outils électriques doivent correspondre à la prise secteur utilisée. Ne jamais modifier la fiche, de quelque façon que ce soit. Ne jamais utiliser d'adaptateurs de fiche avec des outils mis à la terre.** Les fiches et prises non modifiées réduisent le risque de choc électrique.
- **Éviter tout contact du corps avec des surfaces mises à la terre, telles que tuyaux, radiateurs, cuisinières et réfrigérateurs.** Le risque de choc électrique est accru lorsque le corps est mis à la terre.
- **Ne pas exposer les outils électriques à l'eau ou l'humidité.** La pénétration d'eau dans ces outils accroît le risque de choc électrique.
- **Ne pas maltraiter le cordon d'alimentation. Ne jamais utiliser le cordon d'alimentation pour transporter l'outil et ne jamais débrancher ce dernier en tirant sur le cordon. Garder le cordon à l'écart de la chaleur, de l'huile, des objets tranchants et des pièces en mouvement.** Un cordon endommagé ou emmêlé accroît le risque de choc électrique.
- **Pour les travaux à l'extérieur, utiliser un cordon spécialement conçu à cet effet.** Utiliser un cordon conçu pour l'usage extérieur pour réduire les risques de choc électrique.
- **S'il est nécessaire d'utiliser l'outil électrique dans un endroit humide, employer un dispositif interrupteur**

de défaut à la terre (GFCI). L'utilisation d'un GFCI réduit le risque de décharge électrique.

- **Utiliser ce produit seulement avec la piles et le chargeurs indiqués dans le supplément de raccordement pour chargeur/outils/piles/appareil n° 987000-432.**

SÉCURITÉ PERSONNELLE

- **Rester attentif, prêter attention au travail et faire preuve de bon sens lors de l'utilisation de tout outil électrique. Ne pas utiliser cet outil en état de fatigue ou sous l'influence de l'alcool, de drogues ou de médicaments.** Un moment d'inattention pendant l'utilisation d'un outil électrique peut entraîner des blessures graves.
- **Utiliser l'équipement de sécurité. Toujours porter une protection oculaire.** L'équipement de sécurité, tel qu'un masque filtrant, de chaussures de sécurité, d'un casque ou d'une protection auditive, utilisé dans des conditions appropriées réduira le risque de blessures.
- **Éviter les démarrages accidentels. S'assurer que le commutateur est en position d'arrêt avant de brancher l'outil.** Porter un outil avec le doigt sur son commutateur ou brancher un outil dont le commutateur est en position de marche peut causer un accident.
- **Retirer les clés de réglage avant de mettre l'outil en marche.** Une clé laissée sur une pièce rotative de l'outil peut causer des blessures.
- **Ne pas travailler hors de portée. Toujours se tenir bien campé et en équilibre.** Ceci permettra de mieux contrôler l'outil en cas de situation imprévue.
- **Porter une tenue appropriée. Ne porter ni vêtements amples, ni bijoux. Garder les cheveux, les vêtements et les gants à l'écart des pièces en mouvement.** Les vêtements amples, bijoux et cheveux longs peuvent se prendre dans les pièces en mouvement.
- **Si les outils sont équipés de dispositifs de dépoussiérage, s'assurer qu'ils sont connectés et correctement utilisés.** L'usage de ces dispositifs de dépoussiérage peut réduire les dangers présentés par la poussière.
- **Malgré votre expérience acquise par l'utilisation fréquente des outils, soyez toujours vigilant et respectez les principes de sécurité relatifs aux outils.** Il s'agit d'une fraction de seconde pour qu'un geste irréfléchi puisse causer de graves blessures.
- **Ne porter ni vêtements amples, ni bijoux. Attacher ou couvrir les cheveux longs.** Les vêtements amples, bijoux et cheveux longs peuvent se prendre dans les ouïes d'aération.
- **Ne pas utiliser l'outil sur une échelle ou un support instable.** Une bonne tenue et un bon équilibre permettent de mieux contrôler l'outil en cas de situation imprévue.

AVERTISSEMENTS DE SÉCURITÉ GÉNÉRALES RELATIVES AUX OUTILS ÉLECTRIQUES

UTILISATION ET ENTRETIEN DES OUTILS ÉLECTRIQUES

- **Ne pas forcer l'outil. Utiliser l'outil approprié pour l'application.** Un outil approprié exécutera le travail mieux et de façon moins dangereuse s'il est utilisé dans les limites prévues.
- **Ne pas utiliser l'outil si le commutateur ne permet pas de le mettre en marche ou de l'arrêter.** Tout outil qui ne peut pas être contrôlé par son commutateur est dangereux et doit être réparé.
- **Débrancher l'outil et/ou retirer le bloc-piles avant d'effectuer des réglages, de changer d'accessoire ou de remiser l'outil.** Ces mesures de sécurité préventives réduisent les risques de démarrage accidentel de l'outil.
- **Ranger les outils motorisés hors de la portée des enfants et ne laisser personne n'étant pas familiarisé avec l'outil ou ces instructions utiliser l'outil.** Dans les mains de personnes n'ayant pas reçu des instructions adéquates, les outils sont dangereux.
- **Entretenir les outils motorisés et accessoires. Vérifier qu'aucune pièce mobile n'est mal alignée ou bloquée, qu'aucune pièce n'est brisée et s'assurer qu'aucun autre problème ne risque d'affecter le bon fonctionnement de l'outil. En cas de dommages faire réparer l'outil avant de l'utiliser de nouveau.** Beaucoup d'accidents sont causés par des outils mal entretenus.
- **Garder les outils bien affûtés et propres.** Des outils correctement entretenus et dont les tranchants sont bien affûtés risquent moins de se bloquer et sont plus faciles à contrôler.
- **Utiliser l'outil, les accessoires et embouts, etc. conformément à ces instructions pour les applications pour lesquelles ils sont conçus, en tenant compte des conditions et du type de travail à exécuter.** L'usage d'un outil motorisé pour des applications pour lesquelles il n'est pas conçu peut être dangereux.
- **Gardez les poignées et les surfaces de prise sèches, propres et exemptes d'huile et de graisse.** Des poignées et des surfaces de prise glissantes empêchent la manipulation et le contrôle sécuritaires de l'outil dans des circonstances imprévues.

UTILISATION ET ENTRETIEN DE LA PILE

- **Ne recharger qu'avec l'appareil spécifié par le fabricant.** Un chargeur approprié pour un type de pile peut créer un risque d'incendie s'il est utilisé avec un autre type de pile.
- **Utiliser exclusivement le bloc-pile spécifiquement indiqué pour l'outil.** L'usage de tout autre bloc peut créer un risque de blessures et d'incendie.
- **Lorsque le bloc-piles n'est pas en usage, le garder à l'écart d'articles tels qu'attaches trombones, pièces de monnaie, clous, vis ou autres petits objets métalliques risquant d'établir le contact entre les deux bornes.** La mise en court-circuit des bornes de piles peut causer des étincelles, des brûlures ou un incendie.
- **En cas d'usage abusif, du liquide peut s'échapper des piles. Éviter tout contact avec ce liquide. En cas de contact accidentel, rincer immédiatement les parties atteintes avec de l'eau. En cas d'éclaboussure dans les yeux consulter un médecin.** Le liquide s'échappant des piles peut causer des irritations ou des brûlures.
- **Ne pas utiliser un bloc-piles ou un outil endommagé ou modifié.** Les piles endommagées ou modifiées peuvent produire un comportement imprévisible pouvant provoquer un incendie, une explosion ou des blessures.
- **Ne pas exposer le bloc-piles ou l'outil près d'un incendie ou à une température extrême.** L'exposition à un incendie ou à une température supérieure à 130 °C (265 °F) représente un risque d'explosion.
- **Suivre toutes les instructions afférentes à la recharge et ne pas recharger le bloc-piles ou l'outil hors des températures spécifiées dans les instructions.** Une recharge incorrecte ou hors des températures spécifiées peut endommager la pile et augmenter les risques de feu.

DÉPANNAGE




- **Les réparations doivent être confiées à un technicien qualifié, utilisant exclusivement des pièces identiques à celles d'origine.** Ceci assurera le maintien de la sécurité de l'outil.
- **Ne réparez jamais de blocs-piles endommagés.** Seuls le fabricant et les fournisseurs de service autorisés doivent effectuer la réparation ou l'entretien des blocs-piles.

AVERTISSEMENTS DE SÉCURITÉ RELATIFS AU OUTIL POLYVALENT






- **Tenir l'outil par ses surfaces de préhension isolées lors des opérations pendant lesquelles l'accessoire de coupe peut entrer en contact avec du câblage caché.** Le contact d'un accessoire de coupe avec un fil sous tension « électrifie » les pièces métalliques exposées de l'outil et peut électrocuter l'utilisateur.
- **Utiliser des serre-joints ou un autre système approprié pour maintenir fermement la pièce sur une surface stable.** Une pièce tenue à la main ou contre son corps le rend instable et peut causer une perte de contrôle.
- **Apprendre à connaître l'outil. Lire attentivement le manuel d'utilisation. Apprendre les applications et les limites de l'outil, ainsi que les risques spécifiques relatifs à son utilisation.** Le respect de cette consigne réduira les risques d'incendie, de choc électrique et de blessures graves.
- **Toujours porter une protection oculaire munie d'écrans latéraux certifiée conforme à la norme ANSI Z87.1 lors du montage des pièces, du fonctionnement de l'outil ou au moment de l'entretien.** Le respect de cette règle réduira les risques de blessures graves.
- **Protection respiratoire. Porter un masque facial ou un masque antipoussière si le travail produit de la poussière.** Le respect de cette consigne réduira les risques de blessures graves.
- **Protection auditive. Porter une protection auditive lors de l'utilisation prolongée.** Le respect de cette règle réduira les risques de blessures graves.
- **Les outils fonctionnant sur piles n'ayant pas besoin d'être branchés sur une prise secteur, ils sont toujours en état de fonctionnement. Tenir compte des dangers possibles lorsque l'outil n'est pas en usage et lors du remplacement des piles.** Le respect de cette consigne réduira les risques d'incendie, de choc électrique et de blessures graves.
- **Ne pas placer les outils électriques sans fil ou leurs piles à proximité de flammes ou d'une source de chaleur.** Ceci réduira les risques d'explosion et de blessures.
- **Ne pas écraser, faire tomber ou endommager le bloc-piles. Ne jamais utiliser un bloc-piles ou un chargeur qui est tombé, a été écrasé, a reçu un choc violent ou a été endommagé de quelque façon que ce soit.** Une pile endommagée risque d'exploser. Éliminer immédiatement toute pile endommagée, selon une méthode appropriée.
- **Les piles peuvent exploser en présence d'une source d'allumage, telle qu'une veilleuse.** Pour réduire les risques de blessures graves, ne jamais utiliser un appareil sans fil, quel qu'il soit, en présence d'une flamme vive. En explosant, une pile peut projeter des débris et des produits chimiques. En cas d'exposition, rincer immédiatement les parties atteintes avec de l'eau.
- **Ne pas recharger un outil fonctionnant sur piles dans un endroit humide ou mouillé. Ne pas utiliser, remiser ou charger le bloc-piles ou produits dans des emplacements où la température est inférieure 10 °C (50 °F) à ou supérieure à 38 °C (100 °F).** Ne pas ranger l'outil à l'extérieur ou dans un véhicule.
- **Si l'outil est utilisé de façon intensive ou sous des températures extrêmes, des fuites de pile peuvent se produire. En cas de contact du liquide avec la peau, rincer immédiatement la partie atteinte avec de l'eau. En cas d'éclaboussure dans les yeux, les rincer à l'eau fraîche pendant au moins 10 minutes, puis contacter immédiatement un médecin.** Le respect de cette règle réduira les risques de blessures graves.
- **Conserver ces instructions.** Les consulter fréquemment et les utiliser pour instruire les autres utilisateurs éventuels. Si cet outil est prêté, il doit être accompagné de ces instructions.

SYMBOLES

Les termes de mise en garde suivants et leur signification ont pour but d'expliquer le degré de risques associé à l'utilisation de ce produit.

SYMBOLE	SIGNAL	SIGNIFICATION
	DANGER :	Indique une situation dangereuse qui, si elle n'est pas évitée, aura pour conséquences des blessures graves ou mortelles.
	AVERTISSEMENT :	Indique une situation dangereuse qui, si elle n'est pas évitée, pourrait entraîner des blessures graves ou mortelles.
	ATTENTION :	Indique une situation dangereuse qui, si elle n'est pas évitée, pourrait entraîner des blessures légères ou de gravité modérée.
	AVIS :	(Sans symbole d'alerte de sécurité) Indique les informations jugées importantes sans toutefois représenter un risque de blessure (ex. : messages concernant les dommages matériels).

Certains des symboles ci-dessous peuvent être utilisés sur produit. Veiller à les étudier et à apprendre leur signification. Une interprétation correcte de ces symboles permettra d'utiliser produit plus efficacement et de réduire les risques.

SYMBOLE	NOM	DÉSIGNATION / EXPLICATION
	Symbole d'alerte de sécurité	Indique un risque de blessure potentiel.
	Lire manuel d'utilisation	Pour réduire les risques de blessures, l'utilisateur doit lire et veiller à bien comprendre le manuel d'utilisation avant d'utiliser ce produit.
	Protection oculaire	Toujours porter une protection oculaire avec écrans latéraux certifiée conforme à la norme ANSI Z87.1.
	Avertissement concernant l'humidité	Ne pas exposer à la pluie ou l'humidité.
	Symbole de recyclage	Ce produit utilise les piles de lithium-ion (Li-ion). Les réglementations locales ou gouvernementales peuvent interdire de jeter les piles dans les ordures ménagères. Consulter les autorités locales compétentes pour les options de recyclage et/ou l'élimination.
V	Volts	Tension
min	Minutes	Temps
==	Courant continu	Type ou caractéristique du courant
n_0	Vitesse à vide	Vitesse de rotation à vide
.../min	Par minute	Tours, coups, vitesse périphérique, oscillations, etc., par minute

CARACTÉRISTIQUES

PRODUCT SPECIFICATIONS

Vitesse (OPM)..... 10 000-20 000 / minute
 Oscillation.....3,6 degrés

ASSEMBLAGE

AVERTISSEMENT :

Ne pas utiliser le produit s'il n'est pas complètement assemblé ou si des pièces semblent manquantes ou endommagées. L'utilisation d'un produit dont l'assemblage est incorrect ou incomplet ou comportant des pièces endommagées ou absentes représente un risque de blessures graves.

AVERTISSEMENT :

Ne pas essayer de modifier cet outil ou de créer des pièces et accessoires non recommandés. De telles altérations ou modifications sont considérées comme un usage abusif et peuvent créer des conditions dangereuses, risquant d'entraîner des blessures graves.

Si des pièces manquent ou sont endommagées, veuillez appeler au 1-800-525-2579 pour obtenir de l'aide.

UTILISATION

AVERTISSEMENT :

Ne pas laisser la familiarité avec l'outil faire oublier la prudence. Ne pas oublier qu'une fraction de seconde d'inattention peut entraîner des blessures graves.

AVERTISSEMENT :

Toujours retirer la bloc-pile de l'outil au moment d'assembler des pièces, d'effectuer des réglages et de procéder au nettoyage, ou lorsque l'outil n'est pas utilisé. Si cette précaution n'est pas prise, des objets peuvent être projetés dans les yeux et causer des lésions graves.

AVERTISSEMENT :

Toujours porter une protection oculaire munie d'écrans latéraux certifiée conforme à la norme ANSI Z87.1 ainsi qu'une protection auditive. Si une opération dégage de la poussière, porter également un masque anti-poussière.

AVERTISSEMENT :

Ne pas utiliser d'outils ou accessoires non recommandés par le fabricant pour cet outil. L'utilisation de pièces et accessoires non recommandés peut entraîner des blessures graves.

APPLICATIONS

Cet outil ne doit être utilisé que pour les applications listées ci-dessous :

- Découpe du bois, de la cloison sèche et du plastique
- Ponçage de détail
- Utilisation d'accessoires compatibles avec cet outil polyvalent

DISPOSITIVO DE PROTECCIÓN TÉRMICA

La base pour entraînement est équipée d'un dispositif de protection thermique. Lorsque le moteur surchauffe, la lampe à DEL clignotera et le moteur s'arrêtera automatiquement. Si cela se produit, déclencher la gâchette et laisser refroidir le moteur.

NOTE : L'outil ne fonctionnera pas tant que le moteur n'est pas refroidi.

LAMPE À DEL

La lampe à DEL, située à l'avant de l'outil, éclaire quand l'interrupteur de marche/arrêt à la position MARCHE (I).

AVERTISSEMENT :

Avant l'installation du bloc-piles, toujours s'assurer que le interrupteur est ARRÊT (O). Le non-respect de cette précaution peut causer un démarrage accidentel de la lampe, entraînant des blessures graves.

INTERRUPTEUR MARCHÉ / ARRÊT

Voir la figure 1, page 9.

- **Pour allumer l'outil polyvalent :** Glisser le bouton de l'interrupteur en position MARCHE (I).
- **Pour arrêter l'outil polyvalent :** Glisser le bouton de l'interrupteur en position ARRÊT (O).

AVERTISSEMENT :

Les outils à batteries sont toujours en état de fonctionnement. Veiller à ce que le commutateur se trouve en position ARRÊT (O), quand l'outil n'est pas utilisé ou lors du transport.

UTILISATION

CADRAN DE VITESSE VARIABLE

Voir la figure 2, page 9.

Le cadran de vitesse variable situé sur le dessous de l'outil permet à l'outil polyvalent de fonctionner à différentes vitesses. Il est possible de régler la vitesse maximale avant ou pendant l'opération.

- L'outil se trouve en position **BASSE**, quand le cadran de vitesse variable est entièrement tourné dans le sens horaire jusqu'à la position « 1 ».

NOTE : Un déclic se ressent dans la détente lorsque le cadran est tourné.

- Continuer à tourner le cadran dans le sens antihoraire pour sélectionner des vitesses plus élevées.
- Tourner le cadran dans le sens horaire pour réduire la vitesse.
- Glisser l'interrupteur en position **MARCHE (I)** pour commencer l'opération.

NOTE : L'outil peut surchauffer s'il fonctionne continuellement à vitesse basse. Si c'est le cas, refroidir l'outil en le tournant sans charge à pleine vitesse.

INSTALLATION/RETRAIT DU BLOC-PILES

Voir la figure 3, page 9.

- S'assurer que le commutateur est en position **ARRÊT (O)**.
- Insérer la pile dans l'outil comme illustré.
- S'assurer que les loquets de chaque côté de la pile s'enclenchent en place et que la pile est bien fixée à l'outil avant de mettre l'outil en marche.
- Relâcher les loquets pour retirer le bloc-piles.

Pour prendre connaissance des consignes de chargement, consulter le manuel d'utilisation des piles et des chargeurs.

INSTALLATION DES ACCESSOIRES

Voir les figures 4 à 6, page 10.

- Retirer le bloc-piles.
- Soulever le levier de dégagement de la lame jusqu'à la position levée.
- Continuer à soulever le levier de dégagement de la lame jusqu'à la position déverrouillée, relâchant ainsi la bride de verrouillage.

NOTE : Il est normal de ressentir de la résistance lorsque le levier de dégagement de la lame est placé en position déverrouillée.

- Glisser la bride de verrouillage et l'ouvrir jusqu'à la position déverrouillée, comme il est illustré.
- Placer la lame sur la tête de l'outil polyvalent, de sorte que les ouvertures se trouvant sur la base de fixation de la lame s'ajustent aux parties levées de la tête.
- Fermer la bride de verrouillage et la glisser dans sa position verrouillée.
- Abaisser le levier de dégagement de la lame pour verrouiller la lame sur la base. Vérifier qu'elle est en position verrouillée avant l'utilisation.

NOTE : Si, avant de tenter de verrouiller le levier de dégagement de la lame, la bride de verrouillage n'est pas centrée sur la base de la lame, elle reviendra dans sa position déverrouillée. S'assurer que la bride de verrouillage est en position verrouillée avant d'utiliser l'outil polyvalent.

AVERTISSEMENT :

Ne porter ni vêtements amples ni bijoux au moment d'utiliser l'outil. Ceux-ci risquent d'être happés par des pièces en mouvement et ainsi occasionner des blessures graves. Garder la tête à l'écart de l'outil et de la surface de travail. Les cheveux risquent d'être happés par l'outil et ainsi occasionner des blessures graves.

AVERTISSEMENT :

Une pièce non assujettie risque d'être projetée vers l'opérateur et de le blesser.

AVERTISSEMENT :

Garder les mains à l'écart des lames. Ne pas mettre les mains sous la pièce à travailler, ni autour ou au-dessus de la lame lorsqu'elle est en mouvement. Ne pas essayer de retirer une pièce coupée pendant que la lame est en rotation.

COUPE

Voir la figure 7, page 10.

- Marquer clairement la ligne de coupe.
- Tenir la scie fermement, bien à l'écart du corps. S'assurer que la lame se trouve à l'écart de tout objet étranger.
- Glisser l'interrupteur de marche/arrêt à la position **(I)** (**MARCHE**) pour mettre la lame en mouvement. Laisser la lame atteindre sa vitesse maximale, puis la déplacer sur la pièce à travailler.
- Pour procéder à la coupe, garder les dents de la lame dans la surface de travail et déplacer lentement l'arrière de l'outil en un mouvement latéral constant.

NOTE : Si la ligne et l'inscription sur la lame semblent floues pendant l'utilisation, cela signifie que le niveau de pression est adéquat. Si ces éléments deviennent clairs, cela signifie qu'une force excessive est exercée.

AVIS :

Ne pas forcer l'outil. Appliquer suffisamment de pression pour poursuivre la coupe. Laisser la lame et la scie faire leur travail. Le fait d'exercer une pression excessive provoque de fortes vibrations sur l'outil, ce qui peut entraîner le bris des lames et causer l'usure prématurée du moteur.

UTILISATION

CHOIX DE PAPIER DE VERRE

Le choix de la taille de grain et du type de papier de verre est essentiel pour l'obtention d'un fini de qualité. L'usage d'aluminium, de carbure de silicium et d'autres abrasifs synthétiques est recommandé pour les ponceuses électriques. Les abrasifs naturels, tels que le silex et le grenat sont trop tendres pour un usage économique avec les ponceuses électriques.

En général, les grains les plus grossiers sont utilisés pour enlever la plus grande partie du matériau, et les grains les plus fins pour obtenir le meilleur fini possible. L'état de la surface à poncer détermine la taille de grain à utiliser. Si la surface est rugueuse, commencer avec un grain grossier pour la rendre uniforme. Un grain moyen peut ensuite être employé pour supprimer les rayures laissées par le grain grossier, avant d'utiliser le grain le plus fin pour obtenir une surface lisse. Toujours poncer avec chaque grain jusqu'à ce que la surface soit uniforme.

PONÇAGE

Voir la figure 8, page 10.

Installez le plateau porte-disque abrasif de finition et attachez la feuille de papier abrasif. Tenir l'outil devant soi, loin du corps, sans la laisser toucher la pièce à poncer. Mettre l'outil en marche et laisser le moteur parvenir à pleine vitesse. Abaisser lentement l'outil sur la pièce, avec un léger mouvement vers l'avant. Déplacer lentement l'outil avec un mouvement d'arrière en avant.

Ne pas forcer l'outil. Le poids de l'outil procure une pression adéquate. Il convient donc de laisser le papier de verre et l'outil effectuer le travail. Une pression supplémentaire ne fait que ralentir le moteur, user rapidement le papier de verre et réduire considérablement la vitesse du ponçage. Une pression excessive surcharge le moteur, qui risque d'être endommagé par une surchauffe et nuit à la qualité des résultats. Tout fini ou toute résine se trouvant sur le bois peut fondre sous la chaleur créée par la friction. Ne pas tenir l'outil trop longtemps au même endroit car elle agit rapidement et pourrait enlever trop de matériau, laissant une surface inégale.

ENTRETIEN



AVERTISSEMENT :

Utiliser exclusivement des pièces d'origine pour les réparations. L'usage de toute autre pièce pourrait créer une situation dangereuse ou endommager l'produit.

ENTRETIEN GÉNÉRAL

Éviter d'utiliser des solvants pour le nettoyage des pièces en plastique. La plupart des matières plastiques peuvent être endommagées par divers types de solvants du commerce. Utiliser un chiffon propre pour éliminer la saleté, la poussière, l'huile, la graisse, etc.

DÉPANNAGE

FONCTIONS DES TÉMOINS DEL

ÉTAT DE L'OUTIL	SCÉNARIO DES LUMIÈRES DEL	ACTION REQUISE
Normale	Lumière continue (aucun clignotement)	Aucune action requise
Pile faible	3 clignotement	Remplacer la pile
Force excessive	6 clignotement	Attendres 5 secondes
Température excessive	9 clignotement	Laisser l'outil se refroidir

* Si le nombre de clignotements est supérieur à neuf, il faudra retirer le bloc-piles et le réinsérer quelques minutes plus tard.

**ILLUSTRATIONS COMMENÇANT SUR 9
DE PAGE APRÈS LA SECTION ESPAGNOL.**

ADVERTENCIAS DE SEGURIDAD GENERALES PARA LA HERRAMIENTA ELÉCTRICA

ADVERTENCIA:

Lea todas las advertencias, instrucciones, ilustraciones y especificaciones proporcionadas con esta herramienta eléctrica. No seguir las instrucciones indicadas a continuación puede provocar descargas eléctricas, incendios o lesiones graves.

Guarde todas las advertencias e instrucciones para consultarlas en el futuro. El término “herramienta eléctrica” en las advertencias se refiere a las herramientas eléctricas que funcionan con corriente (con cordón) o las que funcionan con batería (inalámbricas).

ÁREA DE TRABAJO

- **Mantenga limpia y bien iluminada el área de trabajo.** Un área de trabajo mal despejada o mal iluminada propicia accidentes.
- **No utilice herramientas motorizadas en atmósferas explosivas, como las existentes alrededor de líquidos, gases y polvos inflamables.** Las herramientas eléctricas generan chispas que pueden encender el polvo y los vapores inflamables.
- **Mantenga alejados a los niños y circunstancias al maniobrar una herramienta eléctrica.** Toda distracción puede causar la pérdida del control de la herramienta.

SEGURIDAD ELÉCTRICA

- **Las clavijas de las herramientas eléctricas deben corresponder a las tomas de corriente donde se conectan. Nunca modifique la clavija de ninguna forma. No utilice ninguna clavija adaptadora con herramientas eléctricas dotadas de contacto a tierra.** Conectando las clavijas originales en las tomas de corriente donde corresponden se disminuye el riesgo de una descarga eléctrica.
- **Evite el contacto del cuerpo con las superficies de objetos conectados a tierra, como las tuberías, radiadores, estufas y refrigeradores.** Existe un mayor riesgo de descargas eléctricas si el cuerpo está haciendo tierra.
- **No exponga las herramientas eléctricas a la lluvia ni a condiciones de humedad.** La introducción de agua en una herramienta eléctrica aumenta el riesgo de descargas eléctricas.
- **No maltrate el cordón eléctrico. Nunca utilice el cordón para trasladar, desconectar o tirar de la herramienta eléctrica. Mantenga el cordón lejos del calor, aceite, bordes afilados y piezas móviles.** Los cordones eléctricos dañados o enredados aumentan el riesgo de descargas eléctricas.
- **Al utilizar una herramienta eléctrica a la intemperie, use un cordón de extensión apropiado para el exterior.**

Usando un cordón adecuado para el exterior se disminuye el riesgo de descargas eléctricas.

- **Si debe operar una herramienta en lugares húmedos, use un suministro protegido por un interruptor de circuito con pérdida a tierra (GFCI).** El uso de un GFCI reduce el riesgo de descargas eléctricas.
- **Usar este producto únicamente con la baterías y el cargadores indicados en el folleto de la herramienta/aparato/paquete de baterías/cargador complementario 987000-432.**

SEGURIDAD PERSONAL

- **Permanezca alerta, preste atención a lo que esté haciendo y aplique el sentido común al utilizar herramientas eléctricas. No utilice la herramienta eléctrica si está cansado o se encuentra bajo los efectos de alguna droga, alcohol o medicamento.** Un momento de inatención al utilizar una herramienta eléctrica puede causar lesiones corporales serias.
- **Utilice protección el equipo otros. Siempre póngase protección ocular.** El uso de equipo protector como mascarilla para el polvo, calzado de seguridad, casco y protección para los oídos en las circunstancias donde corresponda disminuye el riesgo de lesiones.
- **Evite que la herramienta se active accidentalmente. Asegúrese de que el interruptor esté en la posición de apagado antes de conectar la herramienta a un suministro de corriente o de colocar un paquete de baterías.** Transportar herramientas eléctricas con el dedo en el interruptor o enchufar herramientas eléctricas que tienen el interruptor encendido puede ocasionar accidentes.
- **Retire toda llave o herramienta de ajuste antes de encender la herramienta eléctrica.** Toda llave o herramienta de ajuste dejada en una pieza giratoria de la herramienta eléctrica puede causar lesiones.
- **No estire el cuerpo para alcanzar mayor distancia. Mantenga una postura firme y buen equilibrio en todo momento.** De esta manera se logra un mejor control de la herramienta eléctrica en situaciones inesperadas.
- **Vístase adecuadamente. No vista ropas holgadas ni joyas. Mantenga el cabello, la ropa y los guantes alejados de las piezas móviles.** Las ropas holgadas y las joyas, así como el cabello largo, pueden engancharse en las piezas móviles.
- **Si se suministran dispositivos para conectar mangueras de extracción y captación de polvo, asegúrese de que éstas estén bien conectadas y se usen correctamente.** El uso de la captación de polvo puede reducir los peligros relacionados con éste.
- **No permita que la familiaridad obtenida por el uso frecuente de las herramientas lo vuelva complaciente e ignore los principios de seguridad de las herramientas.** Una acción descuidada puede causar lesiones graves en una fracción de segundo.

ADVERTENCIAS DE SEGURIDAD GENERALES PARA LA HERRAMIENTA ELÉCTRICA

- **No vista ropas holgadas ni joyas. Recójase el cabello si está largo.** Las ropas holgadas y las joyas, así como el cabello largo, pueden resultar atraídas hacia el interior de las aberturas de ventilación.
- **No utilice la unidad al estar en una escalera o en un soporte inestable.** Una postura estable sobre una superficie sólida permite un mejor control de la herramienta eléctrica en situaciones inesperadas.

EMPLEO Y CUIDADO DE LA HERRAMIENTA ELÉCTRICA

- **No fuerce la herramienta eléctrica. Utilice la herramienta eléctrica adecuada para cada trabajo.** La herramienta eléctrica adecuada efectúa mejor y de manera más segura el trabajo, si además se maneja a la velocidad para la que está diseñada.
- **No utilice la herramienta si el interruptor no enciende o no apaga.** Cualquier herramienta eléctrica que no pueda controlarse con el interruptor es peligrosa y debe repararse.
- **Desconecte el enchufe de la fuente de alimentación o retire el paquete de baterías, si es desmontable, de la herramienta eléctrica antes de realizar ajustes, cambiar accesorios o almacenar herramientas eléctricas.** Tales medidas preventivas de seguridad reducen el riesgo de poner en marcha accidentalmente la herramienta.
- **Guarde las herramientas eléctricas desocupadas fuera del alcance de los niños y no permita que las utilicen personas no familiarizadas con las mismas o con estas instrucciones.** Las herramientas eléctricas son peligrosas en manos de personas no capacitadas en el uso de las mismas.
- **Mantenimiento de las herramientas eléctricas y accesorios. Revise para ver si hay desalineación o atoramiento de piezas móviles, ruptura de piezas o toda otra condición que pueda afectar el funcionamiento de la herramienta eléctrica. Si está dañada la herramienta eléctrica, permita que la reparen antes de usarla.** Numerosos accidentes son causados por herramientas eléctricas mal cuidadas.
- **Mantenga las herramientas de corte afiladas y limpias.** Las herramientas de corte bien cuidadas y con bordes bien afilados, tienen menos probabilidad de atascarse en la pieza de trabajo y son más fáciles de controlar.
- **Use la herramienta eléctrica, los accesorios, las brocas, etc. según estas instrucciones, teniendo en cuenta las condiciones de trabajo y la tarea que se va a realizar.** Si se utiliza la herramienta eléctrica para operaciones diferentes de las indicadas podría originar una situación peligrosa.

- **Mantenga los mangos y superficies de agarre limpias y libres de aceite y grasa.** Los mangos y superficies de agarre resbalosas no permiten la manipulación y control seguro de la herramienta en situaciones inesperadas.

EMPLEO Y CUIDADO DE LA HERRAMIENTA DE BATERÍAS

- **Sólo cargue el paquete de baterías con el cargador especificado por el fabricante.** Un cargador adecuado para un tipo paquete de baterías puede significar un riesgo de incendio si se emplea con un paquete de baterías diferente.
- **Utilice las herramientas eléctricas sólo con los paquetes de baterías específicamente indicados.** El empleo de paquetes de baterías diferentes puede presentar un riesgo de incendio.
- **Cuando no esté utilizándose el paquete de baterías, manténgalo lejos de otros objetos metálicos, como clips, monedas, llaves, clavos, tornillos o otros objetos metálicos, pequeños que puedan establecer conexión entre ambas terminales.** Establecer una conexión directa entre las dos terminales de las baterías puede causar quemaduras o incendios.
- **Si se maltratan las baterías, puede derramarse líquido de las mismas; evite todo contacto con éste. En caso de contacto, lávese con agua. Si el líquido llega a tocar los ojos, además busque atención médica.** El líquido de las baterías puede causar irritación y quemaduras.
- **No utilice un paquete de baterías o una herramienta que esté dañado o modificado.** Las baterías dañadas o modificadas pueden tener un funcionamiento impredecible que provoque incendios, explosiones o riesgo de lesiones.
- **No exponga el paquete de baterías o una herramienta al fuego o a temperaturas excesivas.** La exposición al fuego o a temperatura sobre los 130 °C (265 °F) puede provocar explosiones.
- **Siga todas las instrucciones de carga y no cargue el paquete de baterías ni la herramienta fuera del rango de temperaturas especificado en las instrucciones.** Si realiza la carga en forma incorrecta o fuera de las temperaturas del rango especificado puede dañar la batería y aumentar el riesgo de incendios.

SERVICIO




- **Permita que un técnico de reparación calificado preste servicio a la herramienta eléctrica, y sólo con piezas de repuesto idénticas.** De esta manera se mantiene la seguridad de la herramienta eléctrica.
- **Nunca repare paquetes de baterías dañados.** La reparación de paquetes de baterías solo puede ser realizada por el fabricante o proveedores de servicio autorizados.

ADVERTENCIAS DE SEGURIDAD PARA MULTI-HERRAMIENTAS






- **Sujete las herramientas eléctricas por las superficies aisladas de sujeción al efectuar una operación en la cual la herramienta de corte pueda entrar en contacto con cables ocultos o con su propio cordón eléctrico.** Todo contacto de una herramienta con un cable cargado carga las piezas metálicas expuestas de la herramienta y da una descarga eléctrica al operador.
- **Utilice prensas o cualquier otro medio práctico de asegurar y sostener la pieza de trabajo en una plataforma segura.** Sostener la pieza con la mano o contra el cuerpo es inestable y puede causar una pérdida de control.
- **Familiarícese con su herramienta eléctrica. Lea cuidadosamente el manual del operador. Aprenda sus usos y limitaciones, así como los posibles peligros específicos de esta herramienta eléctrica.** Con el cumplimiento de esta regla se reduce el riesgo de una descarga eléctrica, incendio o lesión seria.
- **Siempre use protección ocular con laterales protectores con la marca de cumplimiento con la norma ANSI Z87.1 al ensamblar piezas, utilizar la herramienta o llevar a cabo tareas de mantenimiento.** Con el cumplimiento de esta regla se reduce el riesgo de lesiones corporales serias.
- **Protéjase los pulmones. Use una careta o mascarilla contra el polvo si la operación genera mucho polvo.** Con el cumplimiento de esta regla se reduce el riesgo de lesiones serias.
- **Protéjase los oídos. Durante períodos prolongados de utilización del producto, póngase protección para los oídos.** Con el cumplimiento de esta regla se reduce el riesgo de lesiones corporales serias.
- **No se necesita conectar a una toma de corriente las herramientas de baterías; por lo tanto, siempre están en condiciones de funcionamiento. Esté consciente de los posibles peligros cuando no esté usando la herramienta de baterías o cuando esté cambiando los accesorios de la misma.** Con el cumplimiento de esta regla se reduce el riesgo de una descarga eléctrica, incendio o lesión corporal seria.
- **No coloque herramientas de baterías ni las baterías mismas cerca del fuego o del calor.** De esta manera se reduce el riesgo de explosiones y de lesiones.
- **No aplaste, deje caer o dañe de baterías. Nunca utilice una batería o cargador que se ha caído, aplastado, recibido un golpe contundente o ha sido dañado(a) de alguna manera.** Las baterías dañadas pueden sufrir explosiones. Deseche de inmediato toda batería que haya sufrido una caída o cualquier daño.
- **Las baterías pueden explotar en presencia de fuentes de inflamación, como los pilotos de gas.** Para reducir el riesgo de lesiones serias, nunca use un producto inalámbrico en presencia de llamas expuestas. La explosión de una batería puede lanzar fragmentos y compuestos químicos. Si ha quedado expuesto a la explosión de una batería, lávese de inmediato con agua.
- **No cargue herramientas de baterías en lugares mojados o húmedos. No lo utilice, guarde o cargue la paquete de baterías o la unidad en lugares donde la temperatura sea inferior a 10 °C (50 °F) o superior a 38 °C (100 °F).** No guarde la herramienta a la intemperie ni en el interior de vehículos.
- **En condiciones extremas de uso o temperatura las baterías pueden emanar líquido. Si el líquido llega a tocarle la piel, lávese de inmediato con agua y jabón. Si le entra líquido en los ojos, láveselos con agua limpia por lo menos 10 minutos, y después busque de inmediato atención médica.** Con el cumplimiento de esta regla se reduce el riesgo de lesiones corporales serias.
- **Guarde estas instrucciones.** Consúltelas con frecuencia y empléelas para instruir a otras personas que puedan utilizar esta herramienta. Si presta a alguien esta herramienta, facilítele también las instrucciones.

SÍMBOLOS

Las siguientes palabras de señalización y sus significados tienen el objeto de explicar los niveles de riesgo relacionados con este producto.

SÍMBOLO	SEÑAL	SIGNIFICADO
	PELIGRO:	Indica una situación peligrosa, la cual, si no se evita, causará la muerte o lesiones serias.
	ADVERTENCIA:	Indica una situación peligrosa, la cual, si no se evita, podría causar la muerte o lesiones serias.
	PRECAUCIÓN:	Indica una situación peligrosa, la cual, si no se evita, podría causar lesiones menores o leves.
	AVISO:	(Sin el símbolo de alerta de seguridad) Indica la información que se considera importante, pero no relacionada con lesiones potenciales (por ej. en relación a daños a la propiedad).

Es posible que se empleen en este producto algunos de los siguientes símbolos. Le suplicamos estudiarlos y aprender su significado. Una correcta interpretación de estos símbolos le permitirá utilizar mejor y de manera más segura el producto.

SÍMBOLO	NOMBRE	DENOMINACIÓN/EXPLICACIÓN
	Alerta de seguridad	Indica un peligro posible de lesiones personales.
	Lea el manual del operador	Para reducir el riesgo de lesiones, el usuario debe leer y comprender el manual del operador antes de usar este producto.
	Protección ocular	Siempre póngase protección ocular con protección lateral con la marca de cumplimiento de la norma ANSI Z87.1.
	Alerta de condiciones húmedas	No exponga la unidad a la lluvia ni la use en lugares húmedos.
	Símbolo de reciclado	Este producto utiliza baterías de iones de litio (Li-ion). Es posible que algunas leyes municipales, estatales o federales prohíban desechar las baterías en la basura normal. Consulte a las autoridades reguladoras de desechos para obtener información en relación con las alternativas de reciclado y desecho disponibles.
V	Volts	Voltaje
min	Minutos	Tiempo
==	Corriente continua	Tipo o característica de corriente
n ₀	Velocidad en vacío	Velocidad de rotación, en vacío
.../min	Por minuto	Revoluciones, carreras, velocidad superficial, oscilaciones, etc., por minuto

CARACTERÍSTICAS

PRODUCT SPECIFICATIONS

Velocidad (OPM)..... 10 000-20 000/min
 Oscilaciones3,6 grados

ARMADO

ADVERTENCIA:

No use este producto si no está totalmente ensamblado o si alguna pieza falta o está dañada. El uso de un producto que no está adecuadamente y completamente ensamblado o posee partes dañadas o faltantes puede resultar en lesiones personales graves.

ADVERTENCIA:

No intente modificar este producto ni crear aditamentos o accesorios que no estén recomendados para usar con este producto. Dichas alteraciones o modificaciones constituyen un uso indebido y podrían provocar una situación de riesgo que cause posibles lesiones personales graves.

Si hay piezas dañadas o faltantes, le suplicamos llamar al 1-800-525-2579, donde le brindaremos asistencia.

FUNCIONAMIENTO

ADVERTENCIA:

No permita que su familiarización con las herramientas lo vuelva descuidado. Tenga presente que un descuido de un instante es suficiente para causar una lesión grave.

ADVERTENCIA:

Siempre retire el paquete de baterías de la herramienta cuando esté ensamblando partes, realizando ajustes, limpiando o cuando ésta no esté en uso. Retirando el paquete de baterías se evita arrancar accidentalmente la unidad, lo cual puede causar lesiones serias.

ADVERTENCIA:

Use siempre protección ocular con protección lateral con la marca de cumplimiento de la norma ANSI Z87.1 junto con protección auditiva. Si no cumple esta advertencia, los objetos que salen despedidos pueden producirle lesiones serias en los ojos.

ADVERTENCIA:

No utilice ningún aditamento o accesorio no recomendado por el fabricante de esta producto. El empleo de aditamentos o accesorios no recomendados podría causar lesiones serias.

APLICACIONES

Esta producto puede emplearse para los fines siguientes:

- Cortar madera, yeso, plástico
- Lijado detallado
- Uso de accesorios identificados como compatibles con este multiherramienta

DISPOSITIVO DE PROTECCIÓN TÉRMICA

El base de alimentación viene equipado con un dispositivo de protección térmica. Si el motor se sobrecalienta, el LED titilará y el motor se detendrá automáticamente. Si esto ocurre, suelte el gatillo del interruptor y permita que el motor se enfríe.

NOTA: La herramienta no funcionará hasta que el motor se haya enfriado.

DIODO LUMINISCENTE

La luz LED, ubicada al frente de la herramienta, ilumina cuando se presiona el interruptor a la posición de encendido (I).

ADVERTENCIA:

Antes instalación del paquete de baterías, siempre verifique que el interruptor esté en la posición de apagado (O). Si no se asegura de que no esté puesto el seguro de encendido, puede causarse un arranque accidental del herramienta, y por consecuencia posibles lesiones serias. No asegure el interruptor en la posición de encendido para trabajos en los cuales pueda necesitarse detener súbitamente el herramienta.

INTERRUPTORE DE ENCENDIDO/APAGADO

Vea la figura 1, página 9.

- **Para encender la multiherramienta:** Deslice el botón interruptor a la posición de encendido (I).
- **Para apagar la multiherramienta:** Deslice el botón interruptor a la posición de apagado (O).

ADVERTENCIA:

Las herramientas de pilas siempre están en condiciones de funcionamiento. Asegúrese de que el interruptor esté en posición de APAGADO (OFF) (O) cuando no use la herramienta o la transporte a su lado.

FUNCIONAMIENTO

SELECTOR DE VELOCIDAD VARIABLE

Vea la figura 2, page 9.

El selector de velocidad variable, ubicado en la parte inferior de la herramienta, permite que la multiherramienta funcione a diferentes velocidades. La velocidad máxima se puede ajustar antes o durante el funcionamiento.

- La herramienta estará en la posición **BAJA** cuando gire el selector de velocidad variable completamente hacia la derecha a la posición "1".

NOTA: Sentirá que el selector encaja en el retén cuando lo gire.

- Siga girando el selector hacia la izquierda para seleccionar velocidades más altas.
- Gire el selector hacia la derecha para disminuir la velocidad.
- Deslice el interruptor a la posición de encendido (**I**) para comenzar la operación.

NOTA: El funcionamiento a baja velocidad con un uso constante puede hacer que la herramienta se sobrecaliente. Si esto ocurre, enfríe la herramienta ejecutándola sin carga y a máxima velocidad.

INSTALACIÓN/DESMONTAR DEL PAQUETE DE BATERÍAS

Vea la figura 3, página 9.

- Asegúrese de que el interruptor esté en la posición de apagado (**O**).
- Coloque el paquete de baterías en el producto como se muestra.
- Asegúrese de que los pestillos situados a ambos lados del paquete de baterías entren completamente en su lugar con un chasquido y de que el paquete quede bien asegurado en la herramienta antes de comenzar a utilizarla.
- Oprima los pestillos para extraer el paquete de baterías.

Para obtener instrucciones específicas de carga, lea el manual del operador que se incluye con el cargador y la batería.

INSTALACIÓN DE LOS ACCESORIOS

Vea las figuras 4 a 6, page 10.

- Retire el paquete de baterías.
- Levante la palanca de liberación de la hoja a la posición elevada.
- Continúe levantando la palanca de liberación de la hoja a la posición de desbloqueo y suelte la abrazadera de bloqueo.
NOTA: Es normal sentir una resistencia adicional al mover la palanca de liberación de la hoja a la posición desbloqueada.
- Deslice la abrazadera de bloqueo y ábrala a la posición desbloqueada como se muestra en la imagen.
- Coloque la hoja en el cabezal de la multiherramienta de modo que las aberturas de la base de montaje de la hoja encajen en las partes elevadas del cabezal.
- Cierre la abrazadera de bloqueo y deslícela de nuevo a la posición bloqueada.

- Baje la palanca de liberación de la hoja para bloquear la hoja en la base. Asegúrese de que esté en la posición bloqueada antes de usarla.

NOTA: Si la abrazadera de bloqueo no está centrada en la base de la hoja antes de intentar bloquear la palanca de liberación de la hoja, la abrazadera de bloqueo volverá a la posición desbloqueada. Asegúrese de que la abrazadera de bloqueo esté en la posición bloqueada antes de usar la herramienta múltiple.

ADVERTENCIA:

No use ropa holgada ni joyas cuando opere esta herramienta. Estas podrían quedar atrapadas en las piezas en movimiento, lo cual podría provocar lesiones graves. Mantenga la cabeza alejada de la herramienta y del área de trabajo. El cabello podría enredarse en la herramienta, lo cual podría provocar lesiones graves.

ADVERTENCIA:

Si no se asegura la pieza de trabajo, puede salir lanzada hacia el operador y causarle lesiones.

ADVERTENCIA:

Mantenga las manos alejadas de las hojas. No pase la mano por debajo de la pieza de trabajo ni por encima ni alrededor de la hoja cuando esta se encuentra en movimiento. No intente retirar el material cortado cuando la hoja se encuentra en movimiento.

CORTE

Vea la figura 7, page 10.

- Marque claramente la línea de corte.
- Sostenga firmemente la sierra al frente y bien alejada de usted. Asegúrese de que la hoja de la sierra esté lejos de todo objeto extraño.
- Lleve el interruptor de encendido/apagado a la posición de encendido (**I**) para iniciar el movimiento de corte. Deje que la hoja alcance la velocidad máxima; luego, mueva la hoja hacia la pieza de trabajo.
- Para cortar, mantenga los dientes de la hoja en la superficie de trabajo y desplace lentamente la parte posterior de la herramienta con un movimiento lateral constante.

NOTA: Si la línea y la escritura en la hoja se ven borrosas mientras están en uso, está usando la presión adecuada. Si se pueden ver con claridad, está usando demasiada fuerza.

AVISO:

No fuerce la herramienta. Solo use la presión suficiente para permitir que la sierra siga cortando. Deje que la hoja y la sierra hagan el trabajo. El exceso de presión generará fuertes vibraciones en la herramienta. Estas vibraciones pueden romper las hojas y causar un desgaste prematuro del motor de la herramienta.

FUNCIONAMIENTO

CÓMO SELECCIONAR EL PAPEL DE LIJA

La selección del papel de lija del tipo adecuado y del grano de tamaño correcto es un paso importante en el logro de un lijado con acabado de alta calidad. Los abrasivos de óxido de aluminio, de carburo de silicón y otros productos sintéticos son los mejores para el lijado con herramientas eléctricas. Los abrasivos naturales, como el polvo de pedernal y de granate, son demasiado suaves para utilizarse de manera económica en el lijado con herramienta eléctrica.

En general, el grano grueso elimina más material, y el grano fino produce mejor acabado en todas las operaciones de lijado. El estado de la superficie por lijar determina cuál grano es el más adecuado. Si la superficie está áspera, comience con un grano grueso y lijela hasta que quede uniforme. El grano mediano puede utilizarse para eliminar rasguños producidos por el grano grueso, y el grano fino puede utilizarse para acabar la superficie. Siempre continúe lijando con cada grano hasta que esté uniforme la superficie.

LIJADO

Veá la figura 8, página 10.

Instale la almohadilla de respaldo para lijado detallado y hojas de lija deseada. Sostenga la herramienta al frente y lejos de usted, sin que toque la pieza de trabajo. Arranque la herramienta y deje que el motor alcance la velocidad deseada. Gradualmente baje la herramienta a la superficie de trabajo con un leve movimiento hacia adelante. Mueva lentamente la unidad, con un movimiento hacia adelante y hacia atrás.

No fuerce la herramienta. El peso de la unidad proporciona una presión suficiente, por lo tanto deje el trabajo a la herramienta y al papel de lija. Si se aplica presión adicional se aminora la marcha del motor, se gasta con mayor rapidez el papel de lija y se reduce notablemente la velocidad de la herramienta. Una presión excesiva recarga el motor y puede dañarlo debido al recalentamiento del mismo, y puede incluso producirse un trabajo de calidad inferior. Todo acabado o resina presente en la madera puede suavizarse debido al calentamiento generado por la fricción. No lije demasiado tiempo en un mismo lugar, ya que la rápida acción de la herramienta puede desprender demasiado material, dejando desigual la superficie.

MANTENIMIENTO



ADVERTENCIA:

Al dar servicio a la unidad, sólo utilice piezas de repuesto idénticas. El empleo de piezas diferentes podría causar un peligro o dañar el producto.

MANTENIMIENTO GENERAL

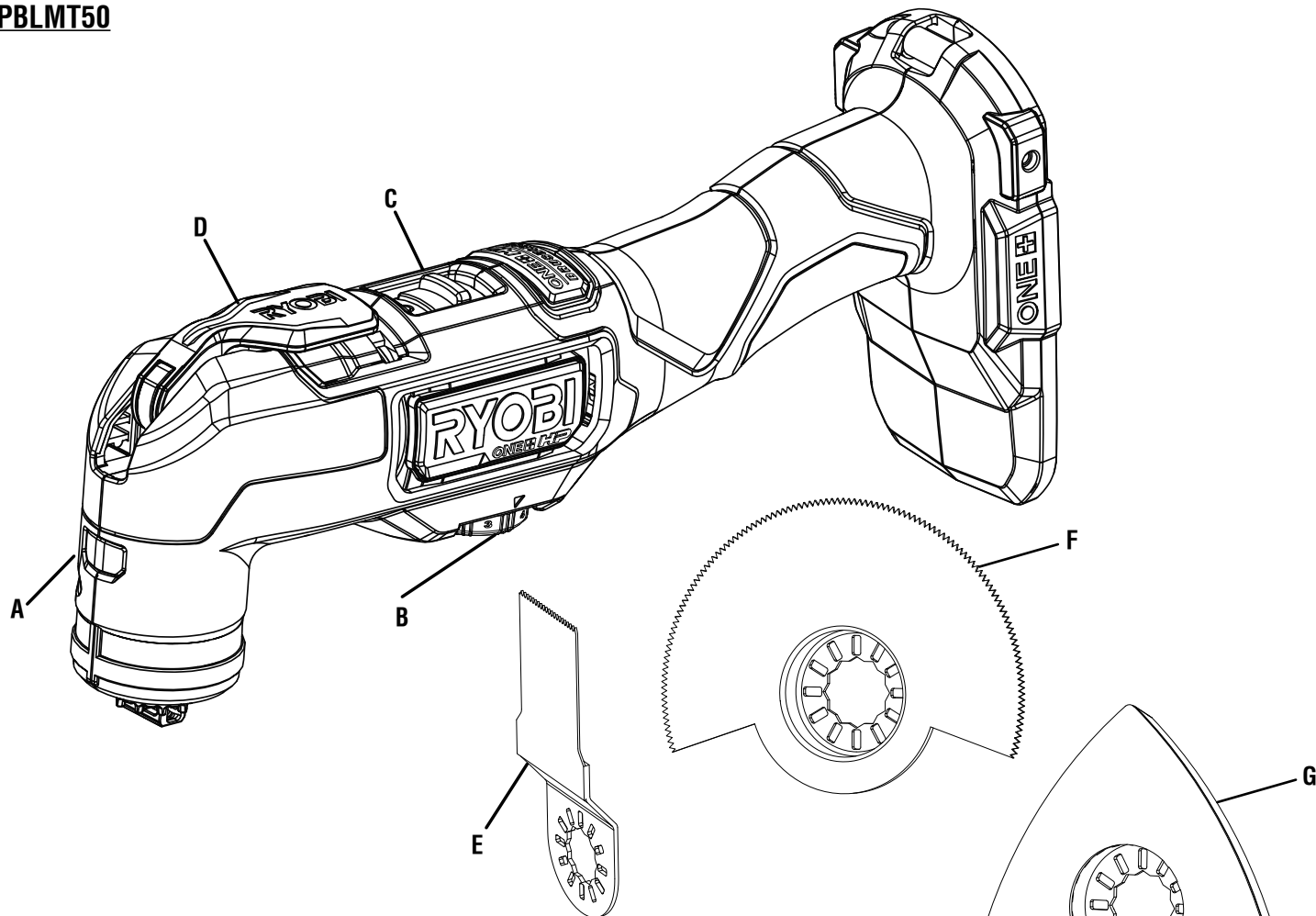
Evite el empleo de solventes al limpiar piezas de plástico. La mayoría de los plásticos son susceptibles a diferentes tipos de solventes comerciales y pueden resultar dañados. Utilice paños limpios para eliminar la suciedad, el polvo, el aceite, la grasa, etc.

CORRECCIÓN DE PROBLEMAS

FUNCIONES DE LAS LUCES LED

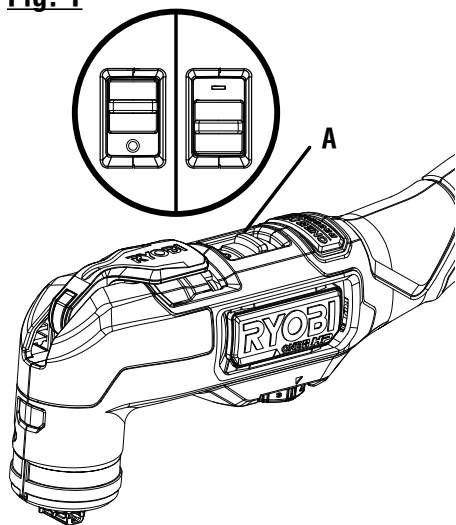
ESTADO DE LA HERRAMIENTA	ESCENARIO DE LUZ LED	ACCIÓN REQUERIDA
Normal	Luz sólida (sin destellos)	No se requiere ninguna acción
Batería baja	3 destellos	Reemplace la batería
Fuerza excesiva	6 destellos	Espere de 5 segundos
Temperatura excesiva	9 destellos	Deje que la herramienta se enfríe

*Más de 9 destellos significan que deberá quitar la batería y volver a insertarla unos minutos más tarde.



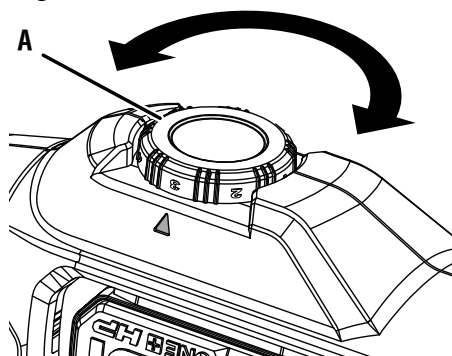
- A - LED light (lampes à del, diodo lumineux)
- B - Variable speed dial (cadran de vitesse variable, selector de velocidad variable)
- C - On/off switch (interrupteur de marche/arrêt, interruptor de encendido/apagado)
- D - Blade release lever (relever pour lever la lame, palanca de liberación de la hoja)
- E - Wood blade (lame de bois, hoja de madera)
- F - Segment saw blade (lame de scie segmentaire, hoja de sierra segmentada)
- F - Detail sanding backing pad (plateau porte-disque abrasif de finition, almohadilla de respaldo para lijado detallado)

Fig. 1



- A - On/off switch (interrupteur de marche/arrêt, interruptor de encendido/apagado)

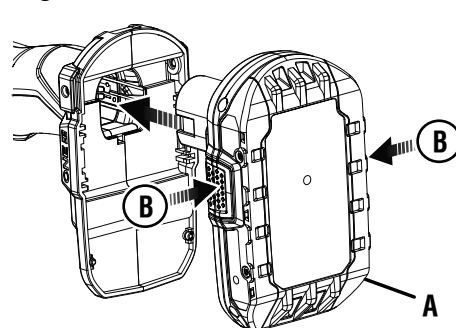
Fig. 2



- SPEED SETTINGS (LOW TO HIGH) = 1-6**
- RÉGLAGES DE VITESSE (BASSE À ÉLEVÉE) = 1-6**
- CONFIGURACIÓN DE VELOCIDADES (BAJA A ALTO) = 1-6**

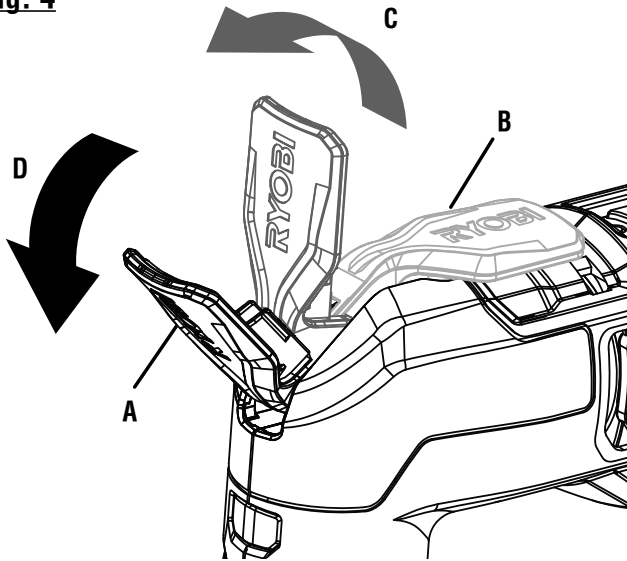
- A - Variable speed dial (cadran de vitesse variable, selector de velocidad variable)

Fig. 3



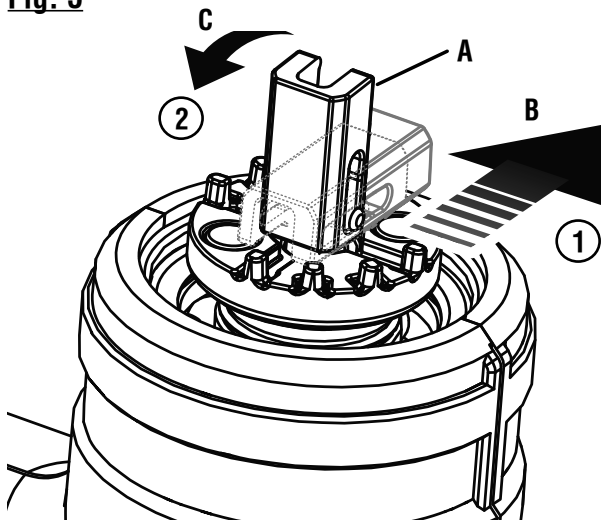
- A - Battery pack (bloc-pile, paquete de batería)
- B - Depress latches to release battery pack (appuyer sur le loquets pour libérer le bloc-pile, para soltar el paquete de batería oprima el pestillos)

Fig. 4



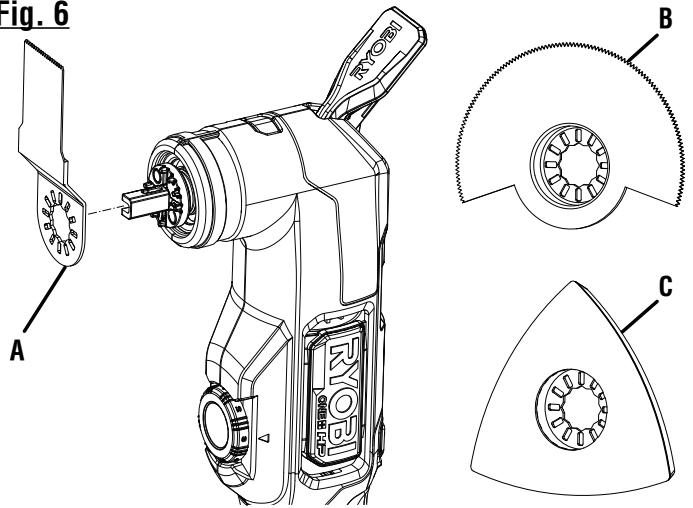
- A - Blade release lever (relever pour lever la lame, palanca de liberación de la hoja)
- B - Locked position (position verrouillée, posición de bloqueo)
- C - Raised position (position levée, posición elevada)
- D - Unlocked position (position déverrouillée, posición de desbloqueo)

Fig. 5



- A - Locking clamp (bride de verrouillage, abrazadera de bloqueo)
- B - Slide clamp to unlock (glisser la bride de verrouillage pour déverrouiller, deslice la abrazadera de bloqueo)
- C - Raise to open (soulever pour ouvrir, levantar para abrir)

Fig. 6



- A - Wood blade (lame de bois, hoja de madera)
- B - Segment saw blade (lame de scie segmentaire, hoja de sierra segmentada)
- C - Detail sanding backing pad (plateau porte-disque abrasif de finition, almohadilla de respaldo para lijado detallado)

Fig. 7

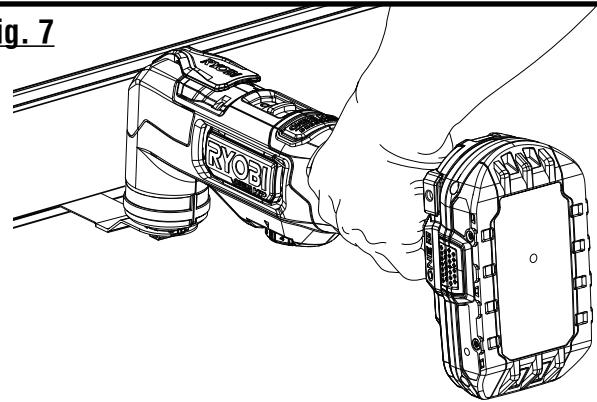


Fig. 8

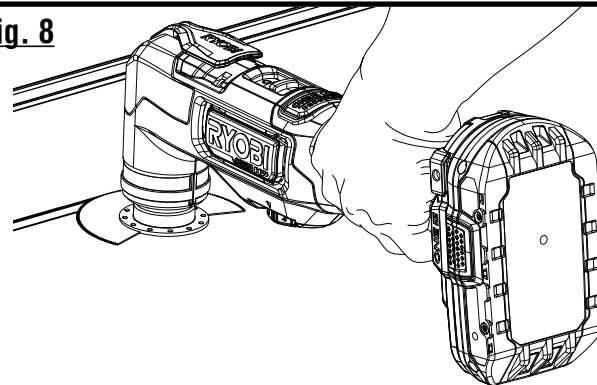
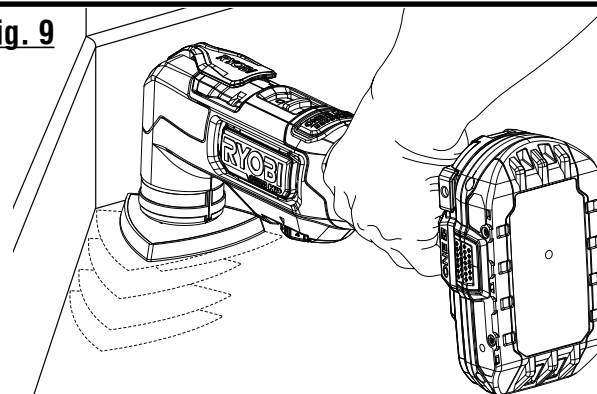


Fig. 9





OPERATOR'S MANUAL/18 VOLT OSCILLATING MULTI-TOOL
MANUEL D'UTILISATION/OSCILLANT OUTIL POLYVALENT 18 V
MANUAL DEL OPERADOR/OSCILANTE MULTI-HERRAMIENTAS 18 V
PBLMT50

To request service, purchase replacement parts,
locate an Authorized Service Center or obtain Customer or Technical Support:
Visit **www.ryobitools.com** or call **1-800-525-2579**

If any parts or accessories are damaged or missing, do not return this product to the store.
Call **1-800-525-2579** for immediate service.

Please obtain your model and serial number from the product data plate.
This product is covered under a 3-year limited Warranty. Proof of purchase is required.

MODEL NUMBER* _____ SERIAL NUMBER _____

**Model number on product may have additional letters at the end. These letters designate manufacturing information and should be provided when calling for service.*

RYOBI is a registered trademark of Ryobi Limited and is used pursuant to a license granted by Ryobi Limited.

Pour faire une demande de réparations ou obtenir des pièces de rechange, trouver un
Centre de réparations agréé pour obtenir un soutien technique ou le Service à la clientèle :
Visiter **www.ryobitools.com** ou en téléphonant au **1-800-525-2579**

Si des pièces ou accessoires sont manquantes ou endommagées, ne pas retourner
ce produit au magasin. Appeler immédiatement au **1-800-525-2579** pour obtenir de l'aide.

Inscrire les numéros de modèle et de série inscrits sur la plaque d'identification du produit.
Ce produit est couvert par une garantie limitée de trois (3) ans. Une preuve d'achat est exigée.

NUMÉRO DE MODÈLE* _____ NUMÉRO DE SÉRIE _____

**Le numéro de modèle sur le produit peut contenir des lettres supplémentaires à la fin. Ces lettres désignent les informations du fabricant et doivent être fournies lors d'un appel de demande de service.*

RYOBI est une marque déposée de Ryobi Limited et est utilisée en vertu d'une licence accordée par Ryobi Limited.

Para obtener servicio, comprar piezas de repuesto, localizar un centro
de servicio autorizado y obtener Servicio o Asistencia Técnica al Consumidor:
Visite **www.ryobitools.com** o llame al **1-800-525-2579**

Si hay alguna pieza ou accesorios dañada o faltante, no devuelva este producto a la tienda.
Llame al **1-800-525-2579** para servicio técnico inmediato.

Obtenga su modelo y número de serie de la placa de datos del producto.
Este producto está cubierto con una garantía limitada de 3 años. Se solicita prueba de la compra.

NÚMERO DE MODELO* _____ NÚMERO DE SERIE _____

**El número de modelo que figura en el producto podría tener letras adicionales al final. Estas designan información de fabricación y deben suministrarse cuando llame para obtener asistencia o servicio.*

RYOBI es una marca registrada de Ryobi Limited y se utiliza conforme a una licencia otorgada por Ryobi Limited.

ONE WORLD TECHNOLOGIES, INC.

P.O. Box 1288, Anderson, SC 29622 • Phone 1-800-525-2579
États-Unis, Téléphone 1-800-525-2579 • USA, Teléfono 1-800-525-2579

www.ryobitools.com