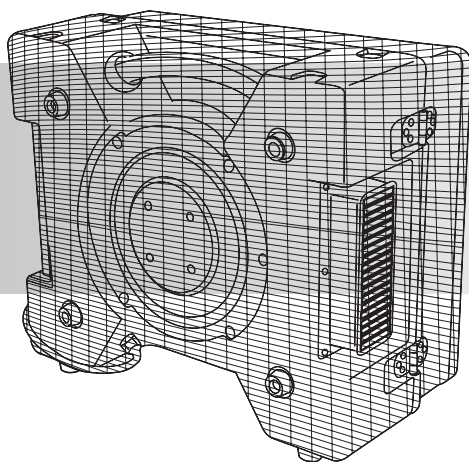


RA-650

HEPA AIR SCRUBBER



RA-650





RA-650

HEPA AIR SCRUBBER

Read all warnings and instructions before using this unit.

The B-Air® RA-650 HEPA Air Scrubber is a portable filtration system that removes airborne particles including mold, pet dander, dust, pollen, drywall dust, and other miscellaneous debris as small as 0.3 microns. The RA-650 utilizes up to 3 stages of filtration including a pre-filter, optional 2nd stage, and a HEPA filter. The RA-650 will create cleaner air in any environment. The pre-filter and second stage filter capture larger particles and the HEPA filter captures smaller particles.

Warnings!

- Do not move or carry the RA-650 while it is operating. When the RA-650 is operating, the powerful airflow can cause unpredictable movement.
- NEVER allow children to play with or around the RA-650.
- Do not alter or modify your RA-650 in any way. Use only replacement parts authorized by B-Air®. Modifications or use of unauthorized parts could create a hazard and will void your warranty.
- Store the RA-650 in a clean, dry environment. Do not store outdoors or allow water inside the unit's motor. If the motor becomes wet, allow it to thoroughly dry before use.
- The RA-650 should never be operated near water as it will create a risk of serious injury from electrical shock. Handle unit with care to avoid causing damage or injury.
- The RA-650 should always be operated on a flat surface. Do not operate where unit could fall, or on slippery surfaces, as this could increase the chance of injury, fire, or electrical shock.
- Keep all liquids from being drawn into the RA-650 and never operate unit without factory installed safety inlet and outlet grills in place.
- Do not use the RA-650 near combustible gas, or hot air as unit could melt and cause a fire or electrical hazard.
- Do not take the RA-650 apart or repair it unless you are qualified to do so. Never repair or service unit while RA-650 is plugged in.
- Make sure the air intake and outlet are free from all materials and away from obstructions, as any restrictions may cause the RA-650 to overheat and cause a shock or fire hazard.
- Unplug the RA-650 before performing any service or changing filters.
- Do not stack more than 2 units high in order to avoid a tipping hazard – falling equipment can cause bodily harm.



RA-650

HEPA AIR SCRUBBER

Operation

- 1) Place the RA-650 upright on a level and stable surface with the handle up.
- 2) Remove the dust cover.
- 3) Plug the RA-650 into a grounded 115 volt grounded outlet with the correct voltage and amperage. For maximum protection against electrical shock, ALWAYS use a circuit that is protected by a ground fault circuit interrupter. If you are unsure about the outlet, check with a qualified electrician or service person. Do not use an adapter or extension cord.
- 4) To switch the unit on, locate the control panel and turn the variable speed switch clockwise to the desired speed setting.
- 5) Operate unit until area is clear of unwanted contaminants or until filters need to be changed. The control panel has a filter change light which illuminates when the HEPA filter needs to be changed. See section on changing filters for instructions.

Auxiliary/GFCI Outlet/Daisy Chain

You can interconnect ("daisy-chain") up to three RA-650's to customize your air filtration needs. The GFCI will "trip" if it detects a sudden "ground fault," or overload and interrupt the electric current. When the GFCI "trips," unplug the unit and look for potential hazards such as standing water, frayed cords, or anything that would cause a dangerous electrical problem. If such a situation exists, plug the RA-650 into a different outlet and then push the "reset" button which is located between the 2 outlets on the GFCI. If the unit will not operate check the circuit breaker section below.

Unit Specifications

Certifications	C-ETL-US
Motor Rating	.33 hp
Power	115 Volts, 60 Hz
Current	2.5 amps
CFM	250-500
Pre-Filter	G4
Prime-Filter	H13 (Made in Germany)

Specifications are subject to change without notice.



Circuit Breaker Switch

The RA-650 is equipped with a circuit breaker switch to protect the RA-650. The switch is located directly above the GFCI outlet and cuts off power to the unit when it detects an unsafe amount of electricity passing through the unit. If the switch “trips,” unplug the unit and look for potential hazards or anything that may be creating an overload situation. “Reset” breaker by pushing button in and continue normal operation.

Changing Filters

Warning! Contaminated Hazard

Always wear NIOSH compliant protective gear when changing filters and dispose of used filters according to your local regulations.

Filters should be changed after every remediation job and whenever the filter change indicator light comes on. The unit should also be cleaned after each job to prevent cross-contamination.

Make sure the unit is dry before installing clean filters.

To change filters:

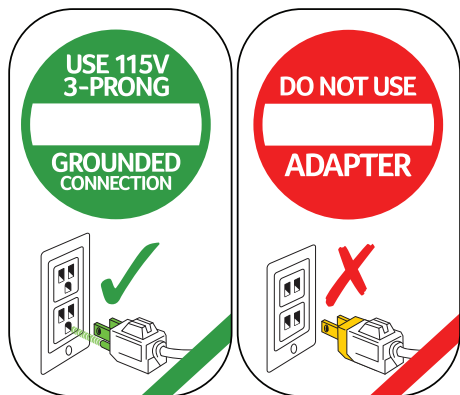
- 1) Unplug the RA-650
- 2) Open door by releasing sliding latches outward, away from the RA-650 body.
- 3) Remove used filters and install new filters.
- 4) Latch door closed and plug the unit in a grounded outlet before operating.

Warning!

For the safe operation of this machine follow the instructions given in this booklet and the training provided. Failure to do so can result in personal injury and/or damage to machine and property!

DO NOT OPERATE MACHINE IN AN EXPLOSIVE ENVIRONMENT!

NOTE: In Canada, the use of a temporary adapter is not permitted by the Canadian Electrical Code.



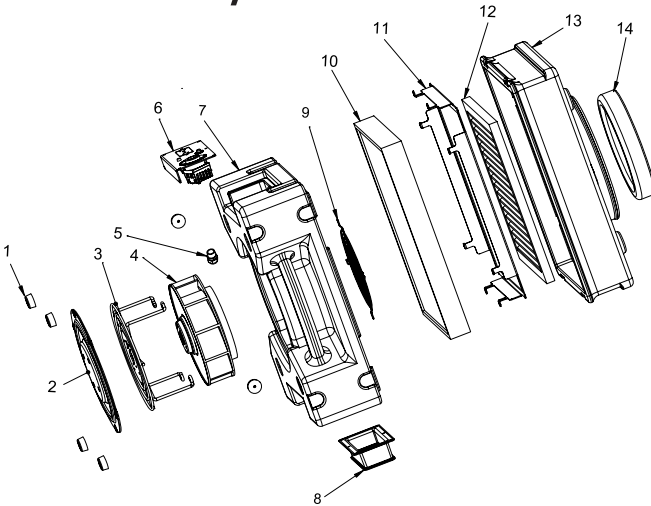


Troubleshooting

Problem	Possible Cause/Solution
RA-650 does not turn on	<ul style="list-style-type: none">• Switch not turned on-turn• Circuit breaker or GFCI has tripped-push reset button• No power to scrubber-make sure unit is plugged in; check power supply• Faulty switch-replace
RA-650 starts and then shuts off	<ul style="list-style-type: none">• Obstructed inlet/outlet - remove obstruction• Faulty motor - replace
RA-650 vibrates	<ul style="list-style-type: none">• Motor shaft is bent - replace motor• Fan blade is bent - replace• Excessive dirt built up on fan blade - clean by wiping with a slightly damp cloth
RA-650 change light illuminated	<ul style="list-style-type: none">• HEPA filter needs replacement - replace• Air intake restricted - remove restriction or bends/kinks in ducting
Motor makes noises, but RA-650 won't turn on	<ul style="list-style-type: none">• Damaged/faulty motor or motor shaft - replace• Broken/loose wire to capacitor - tighten• Damaged/faulty capacitor - replace• Damaged housing/fan; fan will not spin - replace housing or fan wheel• Motor shaft set screw holding fan wheel is loose - tighten



Unit Assembly



	Description	Part Number	Quantity
1	Rubber Feet	RP-01	10
2	Motor Cover	RP-02	1
3	Motor Mounting Bracket	RP-03	1
4	Motor 115V/60Hz	RP-04	1
4-1	Motor 220V/50Hz	RP-04-1	1
5	Cord Lock	RP-05	1
6	Switch Cover	RP-06	1
6-1	Variable Speed Switch	RP-07	1
6-2	GFCI	GFI-02	1
6-3	Circuit Breaker	RP-08	1
6-4	Timer	CM-30	1
7	Main Housing	RP-9-C	1
8	Exhaust Flange	RP-10	1
9	Intake Grill	RP-11	1
10	HEPA Filter	AR-1-HP	1
11	Filter Securement Bracket	RP-12	1
12	Pre-Filter	AR-2-FP	1
13	Housing Lid	RP-13-C	1
14	Intake Plug	RP-14	1
15	Optional Carbon Filter	AR-C-FP	1



RA-650

HEPA AIR SCRUBBER

LIMITED MANUFACTURER'S WARRANTY

The manufacturer warrants that goods sold to the original user shall be free from defects in material and workmanship as follows:

1-year parts and labor on the entire unit.

DAY 1-30: A unit that fails within the first 15 days after the sale to an end-user may be eligible to be replaced with a new unit at the sole discretion of the manufacturer. All transportation costs will be covered for the customer.

DAY 30-YEAR 1: A unit that fails between 15 and 365 days after sale will have parts and labor charges covered under warranty, but transportation charges are to be paid by the customer. Transportation costs include travel charges by repair personnel, or shipping charges to move the unit to and from a repair location.

The manufacturer will not be responsible for:

1. Useful filter life / replacement filters.
2. Damage due to failure to perform normal maintenance as outlined in the Instruction Manual.
3. Failure to start due to voltage conditions, blown fuses, open circuit breakers, or any other damages due to the inadequacy or interruption of electrical services.
4. Damage or repairs needed as a consequence of any misapplication, abuse, neglect, unauthorized alteration, improper servicing, or operation, including operation outside the voltage and frequency limitations as stated on the unit rating plate.
5. Damage as a result of flooding (immersion), fires, lightning, freezing of residual water, corrosive environment, or other conditions beyond the control of the manufacturer.
6. Reimbursement for warrantable replacement parts not supplied by the manufacturer.
7. Shipping damage, or damage as a result of abuse in transporting the unit.

The manufacturer does not warrant that the goods sold are merchantable or fit for any particular purpose, and makes no warranties other than as stated in this section.

All other warranties, guaranties, or representations, express or implied, by operation of law or otherwise, are expressly disclaimed.

If circumstance warrants, the manufacturer may opt to refund the purchase price of such goods. Where applicable, as indicated above, the manufacturer will pay return transportation charges on returned goods not exceeding the transportation charges applicable to ship from original destination unless the returned goods are free from defect and conform to specifications. Be sure to review this instruction booklet. Returned goods which are found by the manufacturer to be free from defect and to conform to specifications shall be held for Purchaser's shipping instructions, which shall be furnished promptly upon request.

The manufacturer's liability shall in no event extend beyond replacement, repair or refund of the purchase price and shall not be liable under any circumstances for special, contingent, incidental or consequential damages, nor for losses, damages, or expenses directly or indirectly arising from the use of the goods, including without limitation, warehousing, labor, handling and service charges, die, equipment, or machine breakage, nor for costs, lost profits or loss of good will. The use of substitute parts and/or filters in this product voids all warranties and performance claims. The remedies set forth herein are exclusive.

Any replacement parts supplied under warranty will be warranted for the balance of the product's warranty.

Establishing the proof of purchase date for warranty purposes is the responsibility of the end-use customer, failing which, the effective date will be based upon the date of manufacture plus thirty (30) days. Retain your bill of sale as proof of purchase.

For warranty information and assistance contact B-Air® at 877.800.2247 or email warranty@b-air.com.

RA-650

HEPA AIR SCRUBBER



B-AIR.COM

DESIGNED & ENGINEERED
IN CALIFORNIA

550 S. Ayon Avenue
Azusa, California 91702

Local: 626.385.3300

Fax: 626.385.3307

877.800.BAIR

WATER DAMAGE RESTORATION DIVISION