

# WATER-FLEX® STAINLESS STEEL WATER HEATER CONNECTOR

3/4" Female Pipe Thread x 1" Female Pipe Thread



*Peace of Mind for the Professional Plumber*

## TECHNICAL DATA

**DESCRIPTION:** WATER-FLEX® Stainless Steel Corrugated Water Heater Connectors- 3/4" FIP x 1" FIP

**CONSTRUCTION:**

**Tube-** Corrugated Stainless Steel  
**Metal Nuts -** Nickel Plated Brass Alloy  
**Washer -** Rubber

**TECHNICAL SPECIFICATIONS: Working Pressure -** 180 PSI

**Burst Pressure -** 1850 PSI

**Working Temperature -** 40° F to 180° F

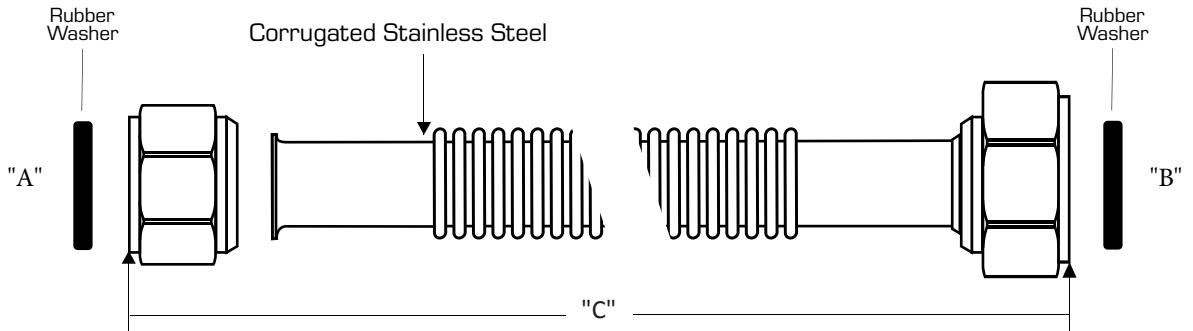
**Max Temperature -** 180° F

Connectors are lead free and contain a weighted average lead content of ≤ 0.25%.

PART#	"A"	"B"	"C"	Master	Pack	UPC
0437512	3/4" FIP	1" FIP	12"	25	Bulk	091712001638
0437515	3/4" FIP	1" FIP	15"	25	Bulk	091712001652
0437518	3/4" FIP	1" FIP	18"	25	Bulk	091712441274
0437524	3/4" FIP	1" FIP	24"	25	Bulk	091712441298

**MADE IN:** Eastman Factory in China

## ROUGH IN DRAWING



**ALL DIMENSIONS SHOWN ARE NOMINAL**