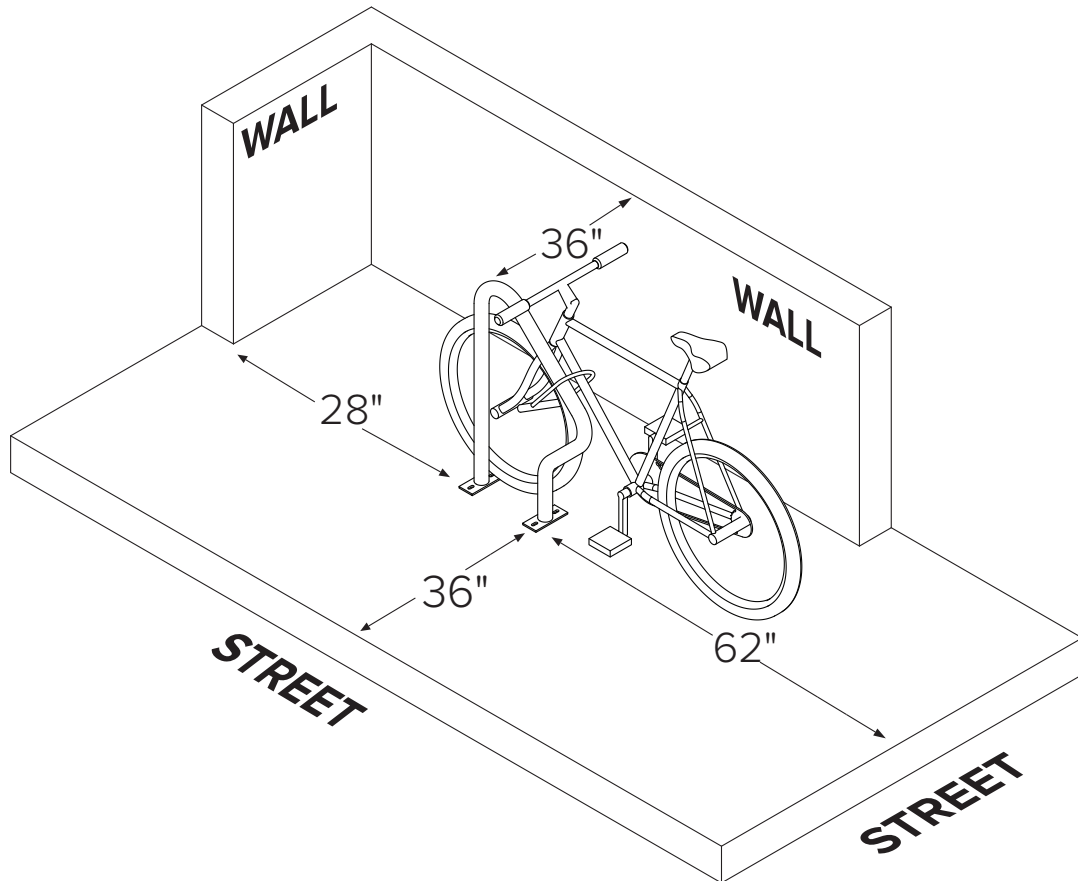


SWERVE RACK

Setbacks



DERO
A PLAYCORE Company

www.dero.com | 1-888-337-6729

SWERVE RACK

Installation Instructions – Surface Mount

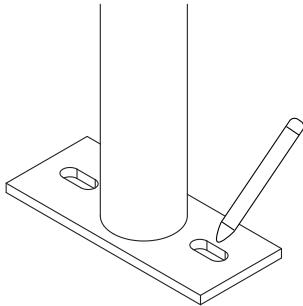
TOOLS NEEDED

Tape Measure
Marker or Pencil
Masonry Drill Bit
Drill (Hammer drill recommended)
Hammer
Wrench 9/16"
Level

RECOMMENDED BASE MATERIAL

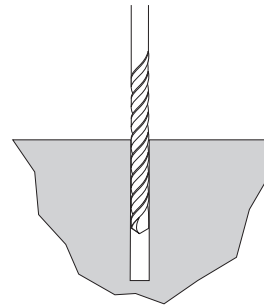
Solid concrete is the best base material for installation. To ensure the proper anchors are shipped with your rack, ask your Dero Rack representative which anchor is appropriate for your application. Be sure nothing is underneath the base material that could be damaged by drilling.

1



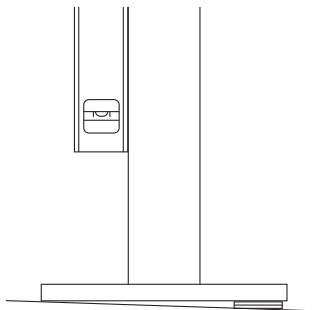
Place the rack in the desired location. Use a marker or pencil to outline the holes of the flange onto the base material.

2



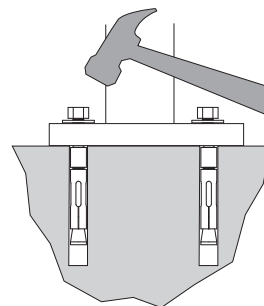
Drill the holes in accordance with the specifications shipped with the anchors. Make sure the holes are at least 3" away from any cracks in the base material.

3



Use washers to level rack if necessary.

4



Tap in anchors and follow your specific anchor instructions provided with the rack.



DERO
A PLAYCORE Company

www.dero.com | 1-888-337-6729

SWERVE RACK

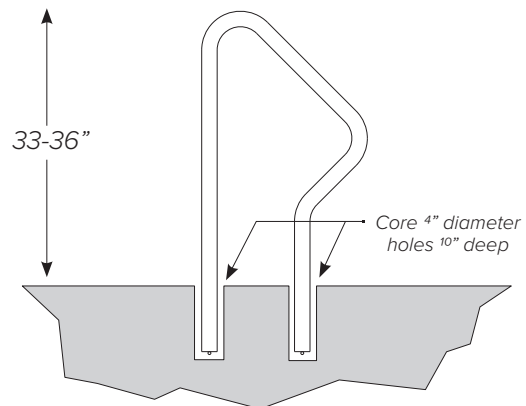
Installation Instructions – In Ground Mount

TOOLS NEEDED

Level	Hole coring machine with 4" bit
Cement mixing tub	Access to water hose
Shovel	Materials to build brace (see "Install Tip" at bottom of page)
Trowel	

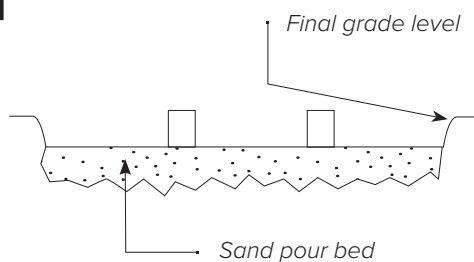
INSTALLING INTO EXISTING SIDEWALK

Core holes no less than 3" diameter (4" recommended) and 10" deep into sidewalk. Fill holes with Por-Rok or epoxy grout. Place Swerve Rack into holes, making sure the rack is level. 33"-36" of the Swerve Rack should remain above the surface. If the Swerve Rack is less than 33" high, it will not support the bike adequately. Make sure the rack is level and held in place until the grout has set.



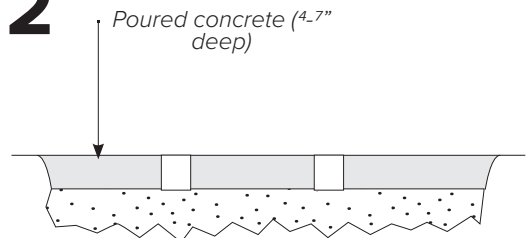
INSTALLING INTO A NEW SIDEWALK

1



Place corrosion resistant sleeve (min. 4" inside diameter) in sand pour bed in exact location where rack will be installed. Make sure top of sleeve is at same level as desired finished concrete surface. Fill sleeve with sand to keep it in place and prevent it from filling with concrete.

2



Pour concrete and allow to cure.



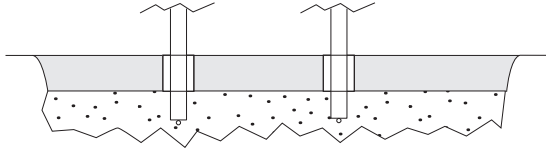
DERO
A PLAYCORE Company

www.dero.com | 1-888-337-6729

SWERVE RACK

Installation Instructions – In Ground Mount

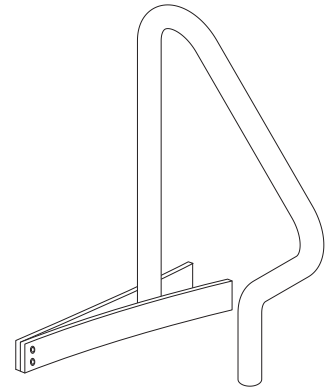
3



After appropriate cure time, dig out sand from sleeves and insert racks, making sure they are level and at the appropriate height. Pour in Por-Rok or epoxy grout and allow to set.

INSTALL TIP

An easy way to brace the Swerve Rack while the grout sets is to bolt two 1x4" boards together at one end and clamp them onto the legs of the Swerve Rack like a clothes pin.



DERO
A PLAYCORE Company

www.dero.com | 1-888-337-6729

SWERVE RACK

Rail Mounted Options

RAIL MOUNTED SWERVE RACKS

Rail mounted Swerve Racks are standard foot mounted Swerve Racks attached with bolts to a rail as in the diagram at left. Rail mounted racks provide more flexibility than other mounting options while providing the same degree of security.

Rail mounted Swerve Racks can be left freestanding, or they can be anchored to the ground using several anchors. This option allows for easier snow removal and sweeping. Installation of Rail mounted Swerves is also much less expensive than embedding the racks into the ground.

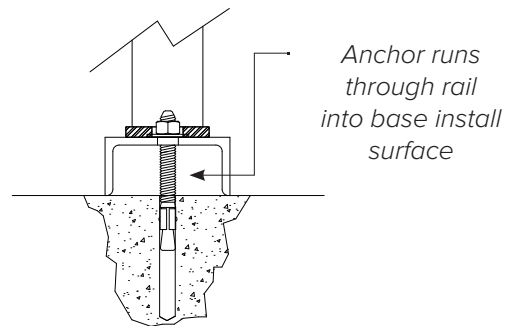
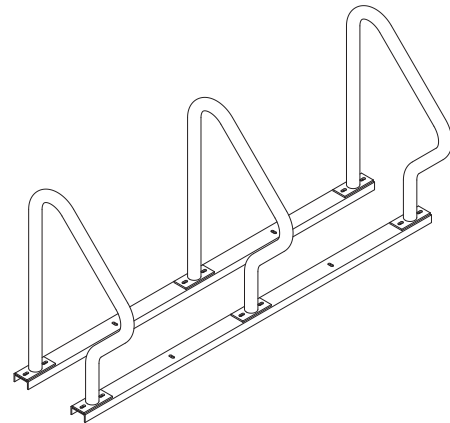
* Note: Though racks may be painted, the rails will remain with only a galvanized finish

ADVANTAGES:

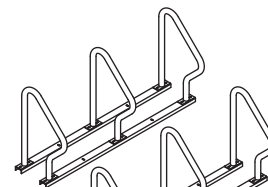
- Easier and inexpensive installation
- Can be left freestanding or anchored to the ground
- Easier to remove for sweeping and snow removal

APPLICATIONS:

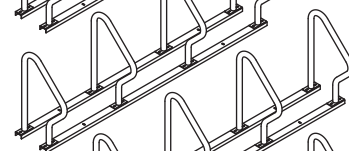
- Installation to pavers
- Asphalt Installations
- Ground, dirt, or mulch
- Situations where the rack needs to be moved occasionally



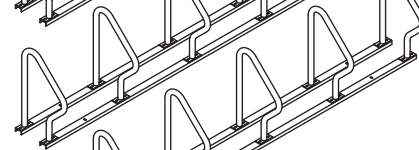
3 Unit Rack
76" Long
Parks 6 Bikes



4 Unit Rack
108" Long
Parks 8 Bikes



5 Unit Rack
146" Long
Parks 10 Bikes



6 Unit Rack
181" Long
Parks 12 Bikes



DERO
A PLAYCORE Company

www.dero.com | 1-888-337-6729

SWERVE RACK

Installation Instructions

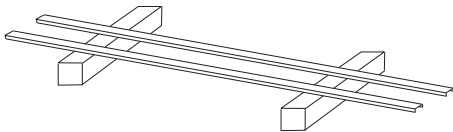
TOOLS NEEDED

9/16" Socket set
Two 4"x4"x28" (or larger) blocks
4 bolts, nuts and washers for every Swerve (included with rack). If using a tamper resistant nuts, install two tamper resistant nuts with each rack.

ANCHORING THE RAILS

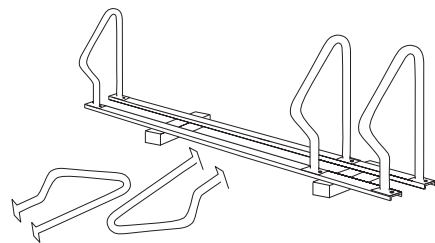
To anchor the rails to concrete, place 3.75" wedge anchor through holes in the rail into the concrete. Secure with nut.

1



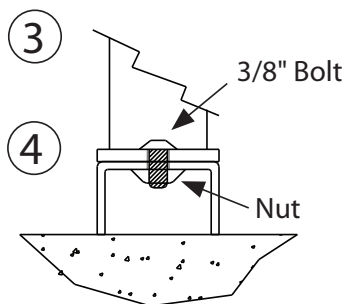
Lay out the two channel beams where the rack will be placed. Place the two beams on top of the two blocks of wood so that the open part of the channel faces the ground.

2



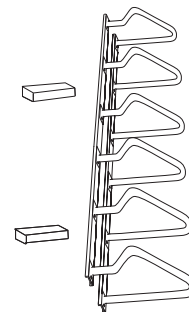
Place Swerve Racks on beams so holes in rack flanges line up with beam slots

3



Put bolts through Swerve Rack flange holes and beams so bolt head faces up. HAND tighten the nuts using new flange nuts.

4



Once nuts are on, tip assembled rack over and use a 9/16" socket to tighten nuts. Before fully tightening nuts, make sure the racks are straight on beams. If using tamper resistant nuts, use access tool to tighten nuts. Do not overtighten the tamper resistant nuts. Tip rack upright.



DERO
A PLAYCORE Company

www.dero.com | 1-888-337-6729