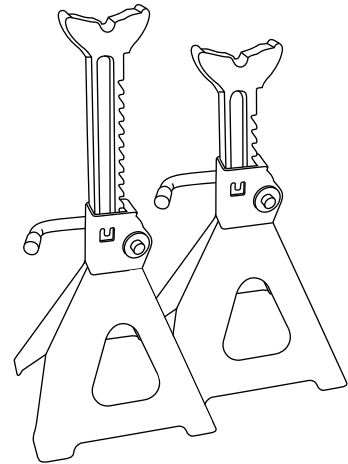
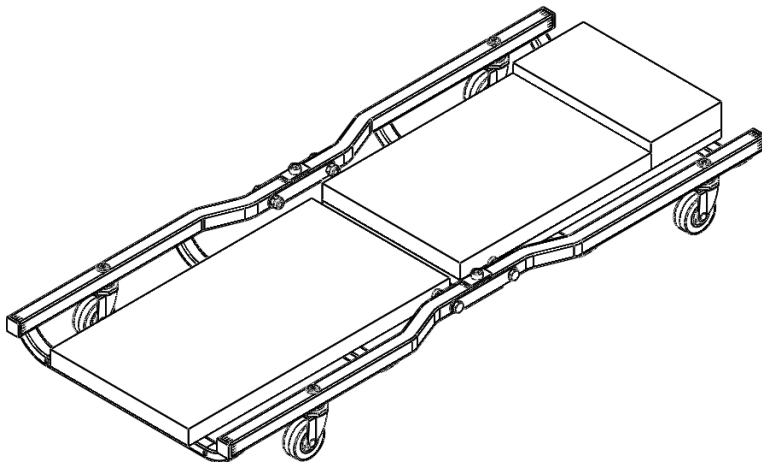
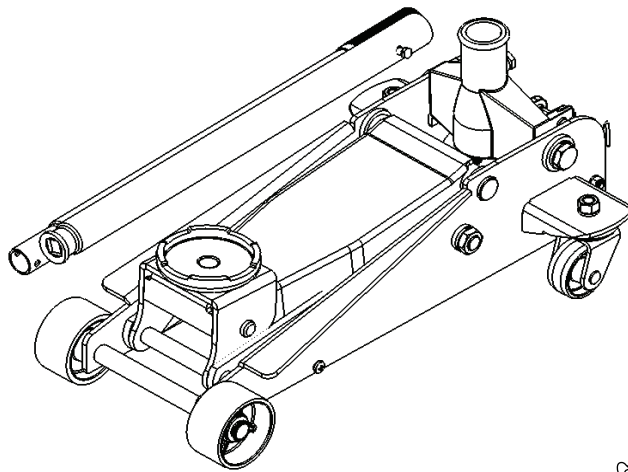




Garage in a Box

G-4630JSC

Operating Instructions & Parts Manual



This is the safety alert symbol. It is used to alert you to potential personal injury hazards. Obey all safety messages that follow this symbol to avoid possible injury or death.

SAFETY and GENERAL INFORMATION

Save these instructions. For your safety, read, understand, and follow the information provided with and on this jack before using. The owner and operator of this equipment shall have an understanding of this jack and safe operating procedures before attempting to use. The owner and operator shall be aware that use and repair of this product may require special skills and knowledge. Instructions and safety information shall be conveyed in the operator's native language before use of this jack is authorized. If any doubt exists as to the safe and proper use of this jack, remove from service immediately.

Inspect before each use. Do not use if broken, bent, cracked or damaged parts are noted. Any jack that appears damaged in any way, or operates abnormally shall be removed from service immediately. If the jack has been or suspected to have been subjected to a shock load (a load dropped suddenly, unexpectedly upon it), immediately discontinue use until jack has been checked by a factory authorized service center (contact distributor or manufacturer for list of authorized service centers). It is recommended that an annual inspection be done by qualified personnel. Labels and Operator's Manuals are available from manufacturer.

PRODUCT DESCRIPTION

Pro-Lift Garage in a Box comes with a 3 Ton Floor Jack, 3 Ton Jack Stand pair, and a detachable creeper. Floor Jacks are designed to lift, but not support one end of a vehicle. This Floor Jack must be used in conjunction with the pair of Jack Stands provided. The Jack Stands are used in pairs to support one end of the vehicle. The Wheel Chock are design to prevent inadvertent rolling of the vehicle while lifting and support, however they should not be used as a support device. The Creeper is intended to support and move along a smooth level surface.

SPECIFICATIONS

| Description | Rated Capacity | Base Dimensions (L x W) | Min. Height | Max. Height |
|--------------|----------------|-------------------------|-------------|-------------|
| Service Jack | 3 Ton | 24-3/16" x 13 | 5-1/2" | 18-1/2" |
| Jack Stand | 3.0 Ton | 7-5/8" x 6-7/8" | 11-5/16" | 16-3/4" |
| Creeper | 300 lbs | 36" x 15-1/2 | 4-1/8" | - |

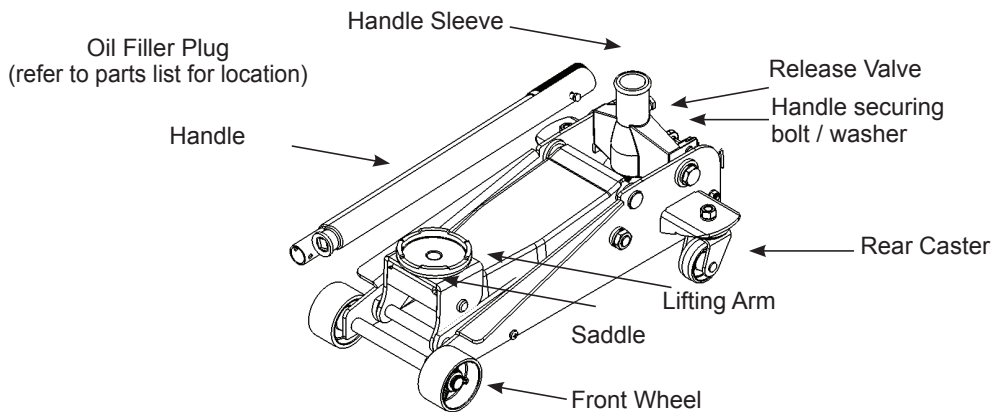


Figure 1 - Typical Floor Jack Nomenclature

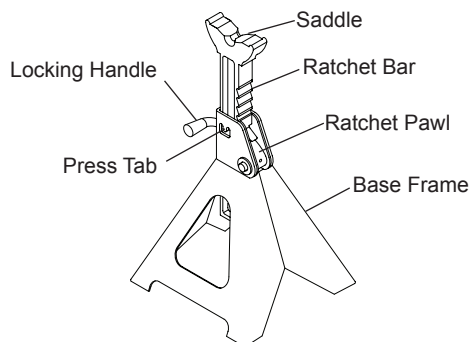


Figure 2 - Typical Jack Stand Nomenclature

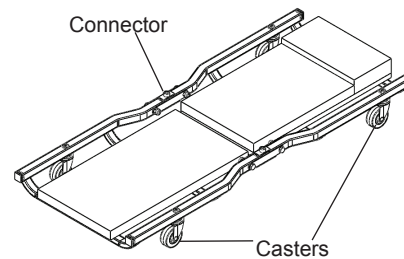


Figure 3 - Detachable Creeper Nomenclature

Floor Jack


Preparation


Before Use

1. Verify that the product and the application are compatible, if any doubt call Customer Support @ (816) 891-6390.
2. Before using this product, read the owner's manual completely and familiarize yourself thoroughly with the product, its components and recognize the hazards associated with its use.
3. To familiarize yourself with basic operation, use the stamped end of the provided handle to engage and turn the release valve:
 - a. Clockwise until firm resistance is felt to further thread engagement. This is the '**CLOSED**' release valve position used to **raise** the load.
 - b. Counter-clockwise, but no more than 1/2 full turn from the closed position.
This is the '**OPEN**' release valve position used to **lower** the load.
4. With saddle fully lowered and release valve fully closed, pump the operating handle. If lift arm responds immediately, jack is ready for use. If jack does not respond, follow Bleeding/Venting Trapped Air instruction below.
5. Check to ensure that jack rolls freely (if so equipped) and that the pump operates smoothly before putting into service. Replace worn or damaged parts and assemblies with factory Authorized Replacement Parts only. Contact the manufacturer or distributor of this product for a list of factory authorized service centers (see page 5, Replacement Parts List). Lubricate as instructed in Maintenance Section.

Bleeding / Venting Trapped Air

With the release valve in the OPEN position (3b above) and with saddle fully lowered, locate and remove the oil filler plug. Insert the handle into the handle sleeve; then pump 6 to 8 full strokes. This will help release any pressurized air which may be trapped within the reservoir. Oil level should be even with the bottom of the oil filler plug hole. Reinstall the oil filler plug.

|  WARNING |
|--|
| <ul style="list-style-type: none">• Study, understand, and follow all instructions before operating this device.• Do not exceed rated capacity.• Use only on hard, level surface.• Lifting device only. Immediately after lifting, support the vehicle with appropriate means.• Do not move or dolly the vehicle while on the jack.• Lift only on areas of the vehicle as specified by the vehicle manufacturer.• No alterations shall be made to this product.• Failure to heed these markings may result in personal injury and/or property damage. |

|  WARNING |
|---|
|  |
| <p>To avoid crushing and related injuries:</p> <ul style="list-style-type: none">• Never work on, under or around a load supported only by hydraulic jack.• Always use adequately rated jack stands.• Chock each unlifted tire in both directions.• Do not use this device to lift, level, lower, support nor move a house, mobile home, travel trailer, camper or any building structure.• Be alert and sober when using this product. Do not operate under the influence of drugs or alcohol. |

OPERATION

Lifting

1. Follow the vehicle manufacturer's recommended guidelines for lifting. Engage the emergency brake and chock each unlifted wheel in both directions to prevent inadvertent vehicle movement.
2. Close the release valve by turning the handle clockwise until firm resistance is felt.
3. Refer to the vehicle manufacturer owner's manual to locate approved lifting points on the vehicle. Center jack saddle under lift point.
4. Verify lift point, pump handle until saddle contacts lift point. To lift, pump handle until load reaches desired height.
5. Transfer the load to appropriately rated jack stands.

Lowering

⚠ WARNING: *Clear all tools and personnel before lowering vehicle. Open release valve slowly. The further the pump handle is turned counter-clockwise, the faster the load will descend. Maintain control of load at all times.*

1. Raise load high enough to clear the jack stands.
2. Remove jack stands carefully.
3. Turn handle counter-clockwise, but no more than 1/2 full turn. *If the load fails to lower:*
 - a. Use another jack to raise the vehicle high enough to reinstall jack stands.
 - b. Remove the malfunctioning jack and then the jack stands.
 - c. Use the functioning jack to lower the vehicle.
4. After removing jack from under the vehicle, fully lower the saddle to reduce ram exposure to rust and contamination.

MAINTENANCE

NOTICE: *Use premium quality hydraulic jack oil. Avoid mixing different types of fluid and NEVER use brake fluid, turbine oil, transmission fluid, motor oil or glycerin. Improper fluid can cause premature failure of the jack and the potential for sudden and immediate loss of load.*

Adding oil

1. With saddle fully lowered set jack in its upright, level position. Remove vent screw.
2. Fill with oil until ~3/16" above the inner cylinder as seen from the oil filler hole. Reinstall vent screw.

Changing oil

For best performance and longest life, replace the complete fluid supply at least once per year.

1. With saddle fully lowered, remove vent screw.
2. Lay the jack on its side and drain the fluid into a suitable container.

NOTICE: *Dispose of hydraulic fluid in accordance with local environmental regulations.*

3. Fill with oil until ~3/16" above the inner cylinder as seen from the oil filler hole. Reinstall vent screw.

Lubrication

A periodic coating of light lubricating oil to pivot points, axles and hinges will help to prevent rust and assure that wheels, casters and pump assemblies move freely.

Cleaning

Periodically check the pump piston and ram for signs of rust or corrosion. Clean as needed and wipe with an oily cloth.

NOTICE: *Do not use sandpaper or abrasive material on ram and pump piston surfaces.*

Storage

When not in use, store the jack with saddle fully lowered.

TROUBLESHOOTING

| Symptom | Possible Causes | Corrective Action |
|---|---|--|
| Jack will not lift load | <ul style="list-style-type: none"> • Release valve not tightly closed • Load is too heavy | <ul style="list-style-type: none"> • Ensure release valve tightly closed • Consider higher capacity jack |
| Jack will lift, but not maintain pressure | <ul style="list-style-type: none"> • Release valve not tightly closed • Hydraulic unit malfunction | <ul style="list-style-type: none"> • Ensure release valve tightly closed • Discontinue use, contact Pro-Lift technical service |
| Jack will not lower after unloading | <ul style="list-style-type: none"> • Reservoir overfilled • Linkages binding • Fluid level low | <ul style="list-style-type: none"> • Drain fluid to proper level • Clean and lubricate moving parts • Ensure proper fluid level |
| Poor lift performance | <ul style="list-style-type: none"> • Fluid level low • Air trapped in system | <ul style="list-style-type: none"> • Ensure proper fluid level • Refer to Bleeding/Venting Trapped Air procedure on page 3 |
| Will not lift to full extension | <ul style="list-style-type: none"> • Fluid level low | <ul style="list-style-type: none"> • Ensure proper fluid level |

REPLACEMENT PARTS

Not all components of the jack are replacement items, but are illustrated as reference for location and position in the assembly sequence. When ordering parts, please give the Model number, part number and parts description. Call or write for current pricing: Customer Support, 10939 N. Pomona Ave., Kansas City, MO 64153.

Phone (816) 891-6390, Fax (816) 891-6599

MODEL G-4630

| Item | Part No. | Description | Quantity |
|------|----------|------------------------------|----------|
| 1 | G-4630-1 | Front Wheel Assembly | 2 |
| 2 | G-4630-2 | Rear Caster Assembly | 2 |
| 3 | G-4630-3 | Saddle | 1 |
| 4 | G-4630-4 | Oil Filler Plug | 1 |
| 5 | G-4630-5 | Handle | 1 |
| 6 | G-4630-6 | Return Spring, Handle Sleeve | 1 |
| 7 | G-4630-7 | Bolt | 1 |
| -- | | Label(s) | 1 |
| -- | | Owner's Manual | 1 |

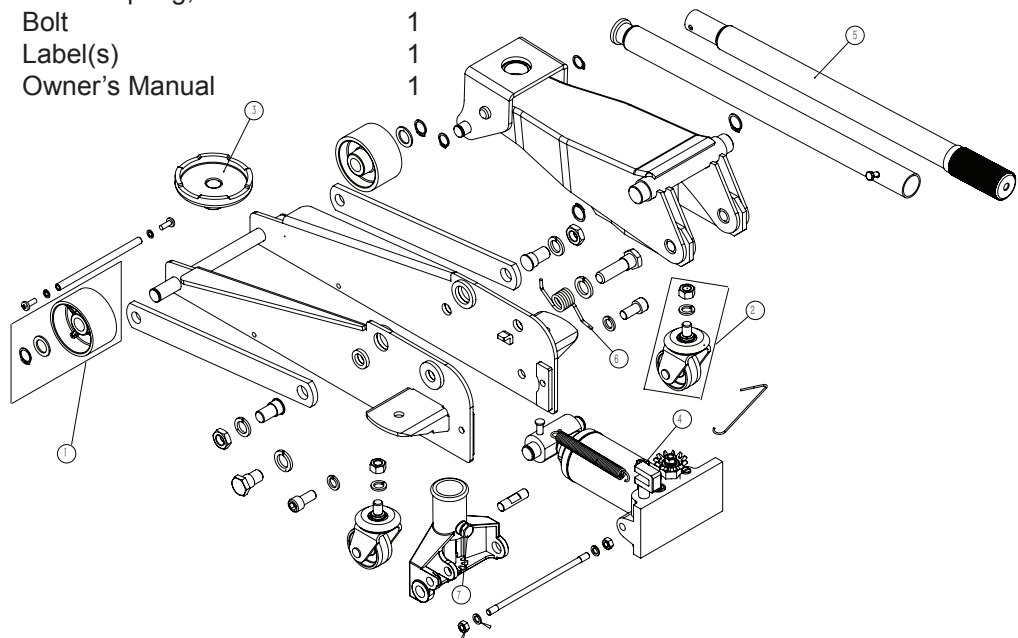


Figure 4 - Replacement Parts Illustration

Jack Stands

PREPARATION

1. Before using this product, read the owner's manual and familiarize yourself thoroughly with the product and the hazards associated with its improper use.
2. Inspect stands before each use. Do not use if bent, broken or cracked components are noted. Ensure that all parts move freely.
3. Verify the product and your application are compatible. If in doubt, contact Pro-Lift Customer Support @ (816) 891-6390.
4. Install ratchet bar into frame. Ratchet portion of bar must be aligned with ratchet pawl (stopper).
5. Move the ratchet bar to its lowest position by raising the locking handle, releasing the ratchet pawl, and guiding the bar downward.
6. Ratchet bar/collar lock is accomplished by bending the press tab (Fig.1) inward using a suitable hammer and punch. This will prevent inadvertent loss of the ratchet bar.
7. Always check the vehicle owners or service manual for location of proper lift and support points.

WARNING

- Study, understand, and follow all instructions before operating the device.
- Do not exceed rated capacity.
- Use only on hard, level surface.
- Center load on saddle.
- Use as a matched pair only.
- Stands are not to be used to simultaneously support both ends of a vehicle.
- No alterations shall be made to this product.
- Failure to heed these markings may result in personal injury and/or property damage.


WARNING



To avoid crushing and related injuries: NEVER work on, under or around a load supported only by a hydraulic jack. ALWAYS use adequately rated jack stands.

OPERATION

Supporting a load

-  **WARNING:** Use only on areas of the vehicle specified by the vehicle manufacturer. Use only on vehicles whose support points are compatible with the saddle of these jack stands. Incompatibility may result in structural damage to the vehicle and/or jack stand. Structural damage to either may result in sudden and unexpected loss of load height.

1. Adjust height by pulling up on ratchet bar.
2. Locking handle weight should secure the ratchet bar in desired position. To confirm this, push down on the locking handle. Ensure locking handle and ratchet bar are secure before loading.
3. Carefully position jack stands so that load is centered on saddle.
4. Slowly lower the vehicle onto the stands.
5. Ensure vehicle is secure before working on, around or under. Use wheel chocks on all unlifted wheels in both directions to prevent inadvertent movement.

Lowering load

-  **WARNING:** Clear all tools and personnel before lowering load.

1. Using suitable jack, raise vehicle clear of stands.
2. Release locking handle and adjust ratchet bar to lowest position.
3. Remove stands, then lower vehicle.

MAINTENANCE

Periodically inspect both stands. Ensure all parts move freely. Do not apply oil or grease to any portion of this product. If rust appears, sand affected area and cover with suitable utility paint. Please note that there are no replacement parts applicable to this equipment. Replacement stands must be purchased as a matched pair.

Storage

Store stands in upright position and in a clean, dry area.

Detachable Creeper

⚠ WARNING: *Study, understand and follow all instructions before assembling this garage creeper. Do not exceed the rated capacity. Do not stand on this garage creeper or use it as a cart. Stop using immediately if any parts are missing, loose or broken. Always use this garage creeper on a smooth, hard, level surface. Always ensure that the vehicle you are under is supported correctly and safely.*



Assembly

1. Insert 4 swivel casters into the holes in the metal frame of the foam padded creeper so that the swivel casters make contact with the floor.
2. Fix each caster to the frame by tightening the lock nut with the supplied hex key and wrench.
3. Connect the two sections of the creeper together by inserting them into the supplied connectors. Ensure that the retaining holes are aligned.
4. Insert the locking bolts and nuts through the four holes, tighten the locking bolts and nuts with the supplied hex key and wrench.

Maintenance

1. Periodically inspect for corrosion, damage, cracking, bent or missing parts. Stop using the creeper immediately if any of these conditions are found. Rectify before using.
2. Do not expose to prolonged wet or corrosive conditions.
3. Clean all surfaces after each use with a dry clean cloth only. Store in a dry, protected environment.
4. Keep work area clean. Cluttered work area invite injury.
5. Failure to heed this warning may result in personal injury and/or property damage.

ONE YEAR LIMITED WARRANTY

For a period of one (1) years from date of purchase, **SFA Companies, Inc.** will repair or replace, at its option, without charge, any of its products which fails due to a defect in material or workmanship, or which fails to conform to any implied warranty not excluded hereby.

Performance of any obligation under this warranty may be obtained by returning the warranted product, freight prepaid, to **SFA Companies, Inc.** Warranty Service Department, 10939 N. Pomona Ave., Kansas City, MO 64153.

Except where such limitations and exclusions are specifically prohibited by applicable law, (1) the CONSUMER'S SOLE AND EXCLUSIVE REMEDY SHALL BE THE REPAIR OR REPLACEMENT OF DEFECTIVE PRODUCTS AS DESCRIBED ABOVE, and (2) **SFA Companies, Inc.** SHALL NOT BE LIABLE FOR ANY CONSEQUENTIAL OR INCIDENTAL DAMAGE OR LOSS WHATSOEVER, and (3) THE DURATION OF ANY AND ALL EXPRESSED AND IMPLIED WARRANTIES, INCLUDING WITHOUT LIMITATION, ANY WARRANTIES OF MERCHANTABILITY AND FITNESS FOR A PARTICULAR PURPOSE, IS LIMITED TO A PERIOD OF TWO (2) YEARS FROM DATE OF PURCHASE.

Some states do not allow limitations on how long an implied warranty lasts, so the above limitation may not apply to you. Some states do not allow the exclusion or limitation of incidental or consequential damages, so the above limitation or exclusion may not apply to you. This warranty gives you specific legal rights, and you may also have other rights which vary from state to state.



SFA Companies, Inc.
10939 N. Pomona Ave.
Kansas City, MO 64153
Phone (816)891-6390, Fax (816)891-6599