



ContractorExpressCabinets®

KITCHEN & BATH CABINETS

Quick Ship | Ships in 5 Days or Less to Jobsite

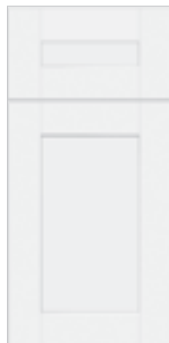


Vesper White



SPECIFICATION GUIDE

- Ships in 5 Days or Less to Jobsite
- Plywood Cabinetry
- Soft Close Doors & Drawers
- Dovetail Doors and Drawers
- Meets HUD Standards



Vesper White



Veiled Gray



Vessel Blue



Valiant Onyx

ContractorExpressCabinets.com

HomerDesignTools.com

Exclusively at



For use with 20/20 catalogs: CEXPRESS, CEXPRES2

ContractorExpressCabinets.com 866-474-0035



ContractorExpressCabinets®

Kitchen & Bath Cabinetry

Limited Lifetime Warranty

Ideal Cabinetry® (warrantor) warrants to the original consumer purchaser, that all products manufactured or supplied by warrantor will be free from defects in material and workmanship. This warranty is for your lifetime as long as you own the cabinetry, on product used for Residential Purposes only and is not transferable to subsequent owners. Proof of Purchase is required.

This warranty does not cover damage resulting from normal wear, accident, misuse or lack of reasonable and necessary maintenance and service; nor does it warranty the improper installation or unauthorized repair, alteration, or modification or defects in the product when the product is installed. This warranty is limited to the repair or replacement of the defective part at the sole discretion of warrantor. Warranty is limited to Contractor Express Cabinets branded products excluding all electrical components: Excluded items may carry separate warranties as provided directly by the manufacturer of these products.

It is our option to provide repair parts or replace with functionally equivalent product. Return of product may be required for replacements. Such repair parts or replacement shall be at warrantor's expense, but customer shall bear all other expenses, including, but not limited to, cost of removal, transportation, re-installation, communication and any special service required by customer such as, overtime labor, etc.

Natural woods and finishes vary in color, grain pattern and exhibit color changes over time. Cabinets may darken or lighten with age due to exposure to certain environmental conditions including but not limited to sunlight, moisture, household cleaners, smoke, etc. Painted cabinets may show cracking at seams. These variations are considered the natural characteristics of the material and finishes and are not covered under this warranty.

In the event of a warranted product performance issue, submit request including proof of purchase documentation, specific description of warranty issue (include photos) in writing to:

Warranty Department
210 Century Boulevard
Bartow, FL 33830

Due to nature of materials and finishes Ideal Cabinetry cannot guarantee warranty replacement will be an exact match.

Ideal Cabinetry reserves the right to alter design, specifications and material without obligation to make changes to product previously manufactured.

EXCEPT TO THE EXTENT PROVIDED BY APPLICABLE LAW, ALL IMPLIED WARRANTIES, INCLUDING WARRANTIES OF MERCHANTABILITY AND FITNESS FOR A PARTICULAR PURPOSE, ARE LIMITED IN DURATION TO THE SHORTER OF THE PERIOD PROVIDED BY LAW OR THE PERIOD OF THIS WARRANTY, AND UNDER NO CIRCUMSTANCE SHALL HOME DECORATORS COLLECTION BE LIABLE FOR INCIDENTAL OR CONSEQUENTIAL DAMAGES SUSTAINED IN CONNECTION WITH THE PRODUCT. THE EXPRESS WARRANTY ABOVE CONSTITUTES THE ENTIRE WARRANTY AND IS IN LIEU OF ALL OTHERS EXPRESSED OR IMPLIED.

Some states do not allow the exclusion or limitation of incidental or consequential damages, or limitation on how long an implied warranty lasts, therefore, the above limitations or exclusions may not apply to you. This warranty gives you specific legal rights, and you may also have other rights, which vary from state to state.

INDEMNITY

Ideal Cabinetry shall not be liable for either its failure to perform or its delays in performance hereunder arising out of or resulting from causes beyond its control, including but not limited to, acts of God, acts of Representation, acts of Government, wars, fires, floods, epidemics, quarantine, strike, freight embargoes, weather or default by suppliers due to any such causes.

Table of Contents



Valiant Onyx



Veiled Gray

- Door Styles 2-3
- Cabinet Construction 4
- Finished End..... 5
- Wall Cabinets 6-8
- Base Cabinets 9-10
- Tall Cabinets 11
- Vanity Cabinets..... 12
- Accessories..... 13
- Decorative Molding 14
- Decorative Hardware..... 14
- Cabinet Frame & Opening Dimensions 15-17

PLEASE NOTE: Line drawings are artistic representations of products for general dimensioning purposes. These should not be relied upon for accurate product appearance. Please consult the website or a designer if you have any questions or specific design requirements. Photography is for illustration purposes. Actual colors may vary slightly due to the printing process. We recommend ordering a sample door to see the color and finish you like for yourself.

Contractor Express is Available Through:

- Quote Center (search Contractor Express)
- Order Up (search Contractor Express)

pro.hdckitchens.com



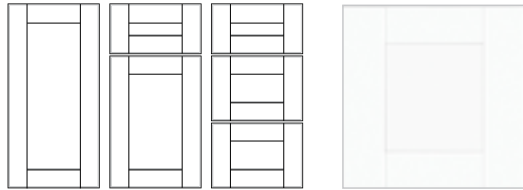
homedepot.com



Vinyl Shaker Door Styles



Xpress Vesper White (XVW)



- 3/4" thick vinyl clad MDF recessed panel doors with flat melamine back
- 3/4" thick vinyl clad MDF recessed panel drawer fronts with flat melamine back
- Soft close hinges & full extension drawers with soft close
- Decorative hardware required

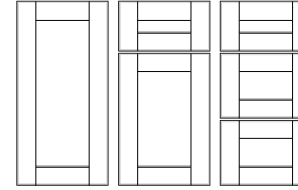


BUY NOW

Vinyl Shaker Door Styles



Xpress Vessel Blue (XVB)*



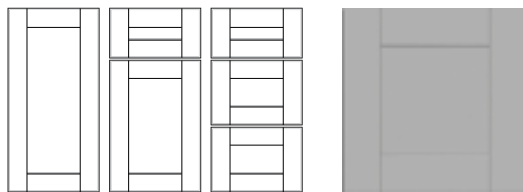
- 3/4" thick vinyl clad MDF recessed panel doors with flat white melamine back
- 3/4" thick vinyl clad MDF recessed panel drawer fronts with flat white melamine back
- Soft close hinges & full extension drawers with soft close
- Decorative hardware required



BUY NOW



Xpress Veiled Gray (XVG)



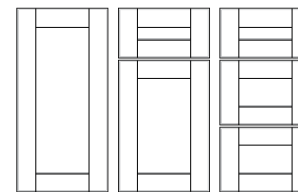
- 3/4" thick vinyl clad MDF recessed panel doors with flat melamine back
- 3/4" thick vinyl clad MDF recessed panel drawer fronts with flat melamine back
- Soft close hinges & full extension drawers with soft close
- Decorative hardware required



BUY NOW



Xpress Valiant Onyx (XVO)*



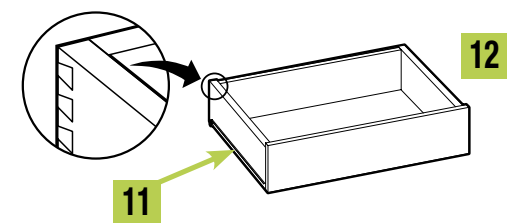
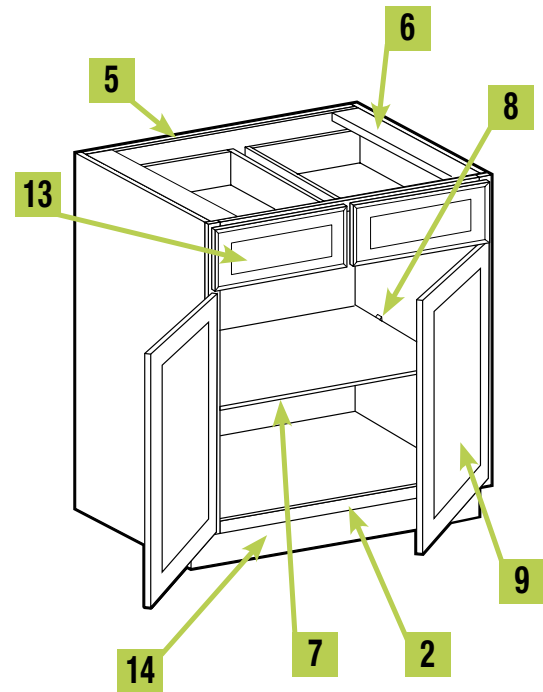
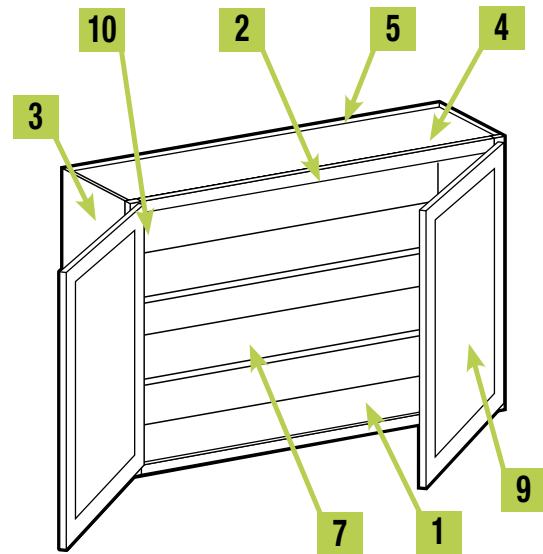
- 3/4" thick vinyl clad MDF recessed panel doors with flat white melamine back
- 3/4" thick vinyl clad MDF recessed panel drawer fronts with flat white melamine back
- Soft close hinges & full extension drawers with soft close
- Decorative hardware required



BUY NOW

*Back of door and drawer front feature a white finish

All of our door styles feature solid wood painted face frames. As with any painted wood surface, expansion and contraction with changes in climate may cause fractures in the paint surface at joints. This is an acceptable characteristic and will vary based on climate conditions. In addition, there may be a slight color shift over time due to continued exposure to both natural and artificial light.



1	INTERIOR	Natural birch laminate provides a durable, wipe clean finish.
2	FACE FRAME	1½" wide x ¾" thick solid hardwood pocket screwed.
3	END PANELS	½" thick CARB2 plywood, exterior laminate is color matched to the face frame.
4	FLOOR & CEILING	½" thick CARB2 plywood, both sides captured by end panels.
5	BACK PANELS	½" thick CARB2 plywood with natural birch laminate interior and raw exterior. The 'clipped' back panels on Wall Angle and Easy Reach Corner cabinets will be ¼" plywood.
6	"I-BEAM" SUPPORTS	½" thick CARB2 plywood, full depth braces provide stability and support for countertop attachment.
7	ADJUSTABLE SHELVES	¾" thick CARB2 plywood finished with natural birch laminate and matching edgebanding. Base and wall adjustable shelves are full depth.
8	SHELF SUPPORTS	Clear, high strength plastic with locking top tab to prevent shelf tip. Provides easy shelf adjustment.
9	DOORS	Stylish, full-overlay doors. See pages 2-3 for details.
10	HINGES	Fully concealed 110° opening Soft Close hinges with 6-way adjustment for ease of alignment.
11	RUNNERS/ GLIDES	Drawers feature smooth gliding, full extension, ball bearing runners with Soft Closing shocks that engage when drawer is 1" from closed. Runners are rated for 100lb static and 75lb dynamic loads.
12	DRAWERS	5/8" thick finger jointed hardwood four sided dovetail box construction, finished with a clear top coat and a ¼" thick captured plywood floor.
13	DRAWER FRONTS	Stylish full overlay drawer fronts. See pages 2-3 for details. For Standard kitchen base cabinets, the drawer front is 8" high. For drawer base cabinets, the top drawer front is 8" high and the bottom two drawer fronts are 10 ½" high.
14	INTEGRAL TOE KICK	½" thick plywood secured between end panels. Provides solid backing for installation of Matching Toe Kick (MTK8) or other materials such as ceramic, vinyl, etc.



Specifications subject to change without notice.



PLAY
DESIGN TIP



Standard End Panels are ½" thick CARB2 plywood. Exterior laminate matches face frame finish.

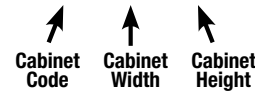


Laundry Ensemble Shown in Valiant Onyx

WALL CABINET CODING

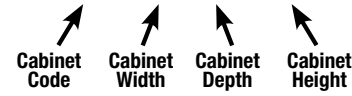
STANDARD (12" DEEP)

W 30 30



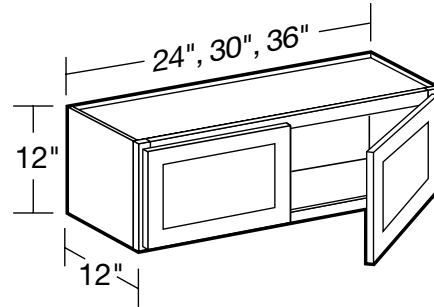
REFRIGERATOR (24" DEEP)

W 36 24 18



- All wall cabinets are 12" deep unless otherwise noted. Refrigerator wall cabinets are 24" deep.
- Cabinet depth does not include door thickness
- Products are available in all door styles unless stated otherwise
- Standard cabinet exterior is color matched to face frame
- Soft close hinges

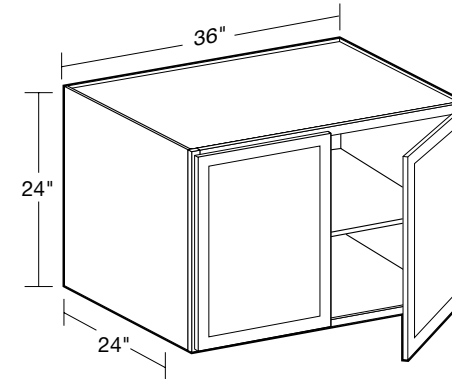
12" High Double Door



**W2412
W3012
W3612**

- No adjustable shelf

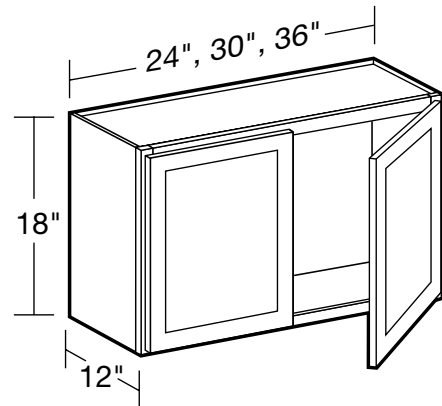
24" High x 24" Deep Double Door



W362424

- One adjustable shelf
- Must be supported from back and both sides

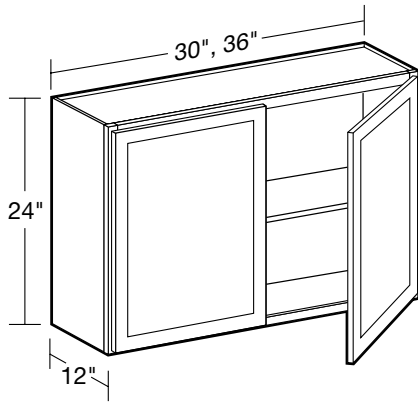
18" High Double Door



**W2418
W3018
W3618**

- No adjustable shelf

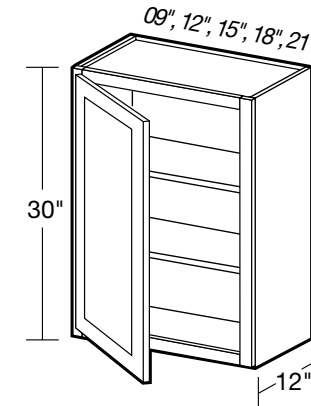
24" High Double Door



**W3024
W3624**

- One adjustable shelf

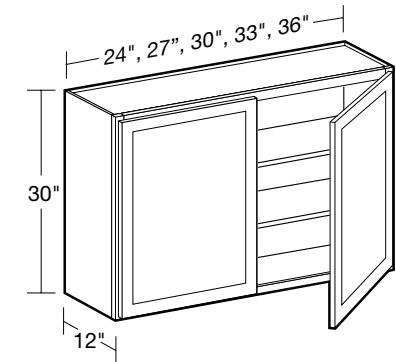
30" High Single Door



**W0930L
W1230L
W1530L
W1830L
W2130L**

- Two adjustable shelves
- Cabinet can be rotated to become right hinged

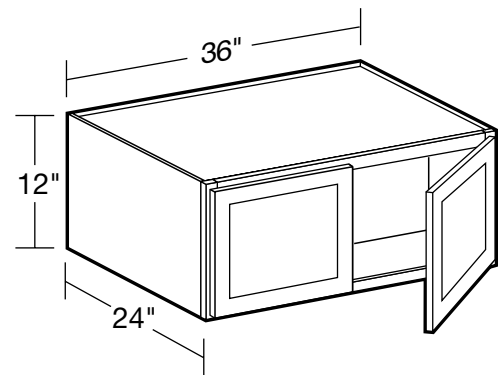
30" High Double Door



**W2430
W2730
W3030
W3330
W3630**

- Two adjustable shelves

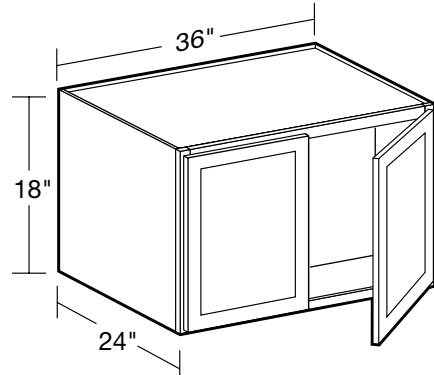
12" High x 24" Deep Double Door



W362412

- No adjustable shelf
- Must be supported from back and both sides

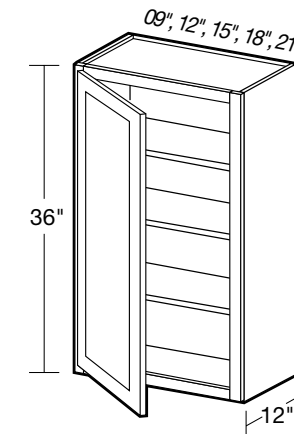
18" High x 24" Deep Double Door



W362418

- No adjustable shelf
- Must be supported from back and both sides

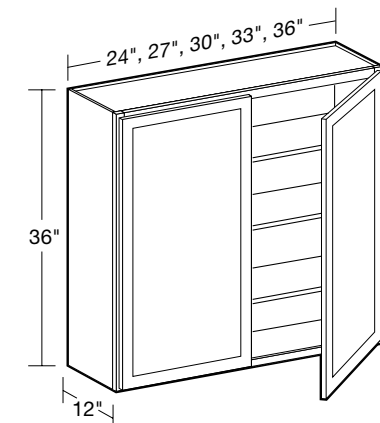
36" High Single Door



**W0936L
W1236L
W1536L
W1836L
W2136L**

- Three adjustable shelves
- Cabinet can be rotated to become right hinged

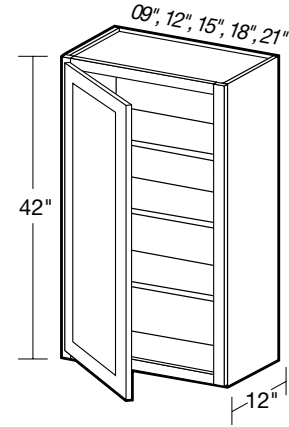
36" High Double Door



**W2436
W2736
W3036
W3336
W3636**

- Three adjustable shelves

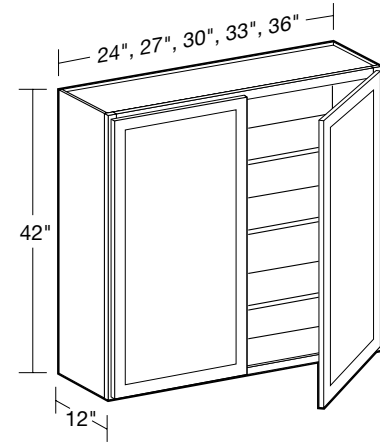
42" High Single Door



W0942L
W1242L
W1542L
W1842L
W2142L

- Three adjustable shelves
- Cabinet can be rotated to become right hinged

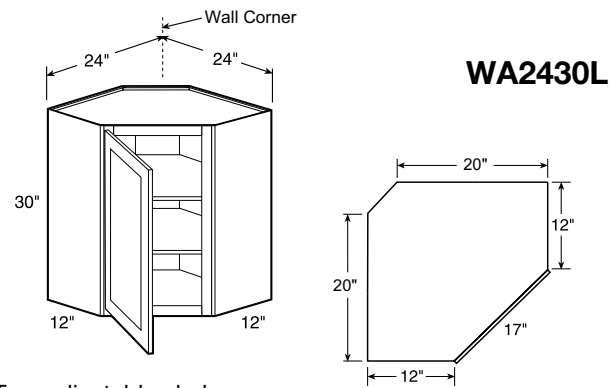
42" High Double Door



W2442
W2742
W3042
W3342
W3642

- Three adjustable shelves

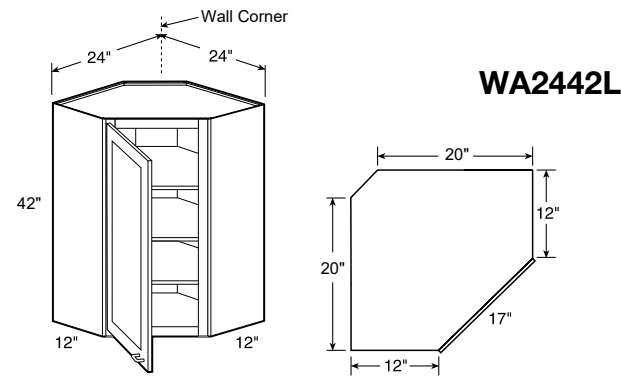
30" High Wall Angle



WA2430L

- Two adjustable shelves
- Clip corner back provides clearance for installation
- Clip corner back is 1/4" plywood
- Cabinet can be rotated to become right hinged

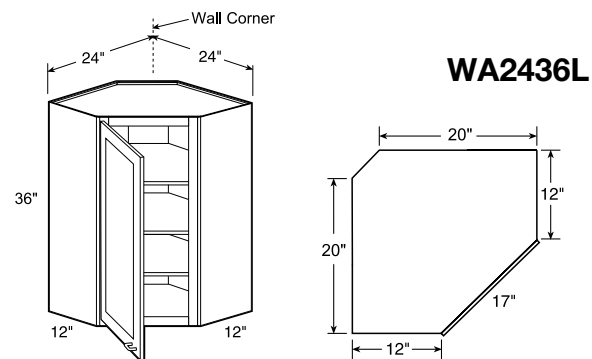
42" High Wall Angle



WA2442L

- Three adjustable shelves
- Clip corner back provides clearance for installation
- Clip corner back is 1/4" plywood
- Cabinet can be rotated to become right hinged

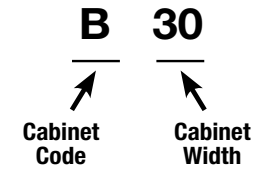
36" High Wall Angle



WA2436L

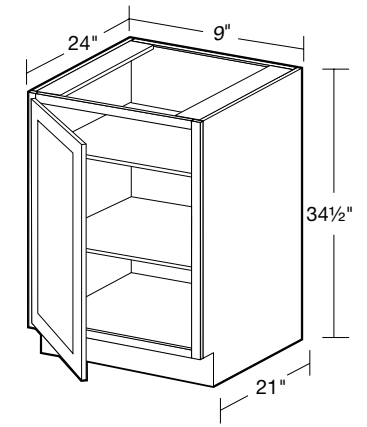
- Three adjustable shelves
- Clip corner back provides clearance for installation
- Clip corner back is 1/4" plywood
- Cabinet can be rotated to become right hinged

BASE CABINET CODING



- Standard Base Cabinets are 24" deep and 34 1/2" high
- Cabinet depth does not include door thickness
- Products are available in all door styles unless stated otherwise
- Standard cabinet exterior is color matched to face frame
- Base cabinets are shipped with an unfinished toekick. Finished toekicks in MDF must be ordered separately and field installed.
- Soft close hinges & full extension drawers with soft close

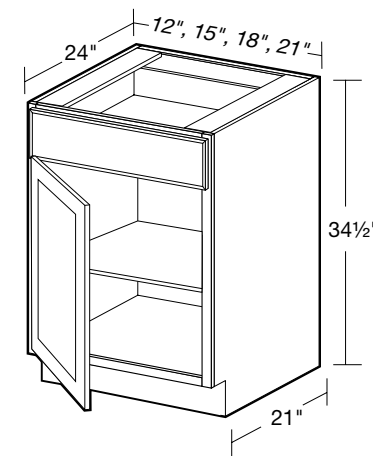
24" Deep Single Full Height Door



B09FHL

- Two full-depth adjustable shelves

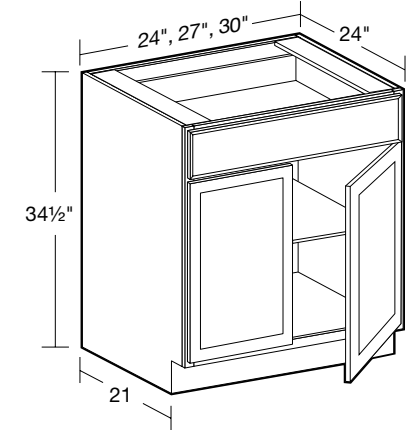
24" Deep Single Door



B12L
B15L
B18L
B21L

- One full-depth adjustable shelf

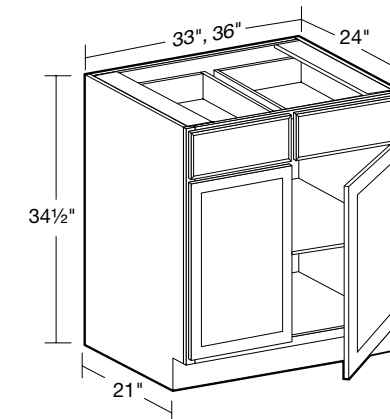
24" Deep Double Door



B24
B27
B30

- One full-depth adjustable shelf

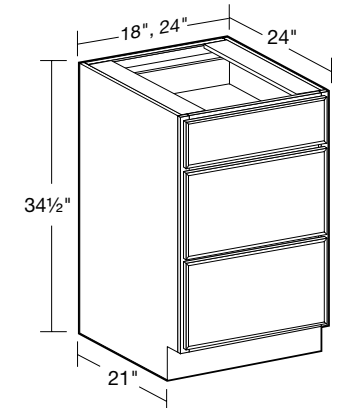
24" Deep Double Door



B33
B36

- One full-depth adjustable shelf

24" Deep Base - 3 Drawers

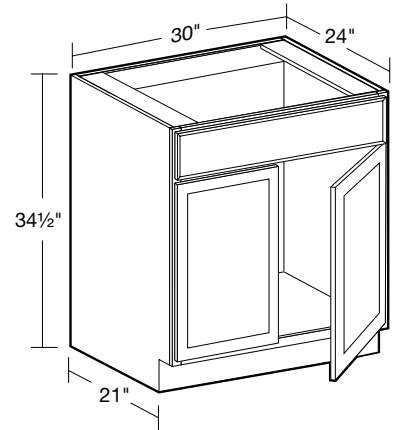


BD18
BD24

- One standard top drawer
- Two deep drawers

Base Cabinets

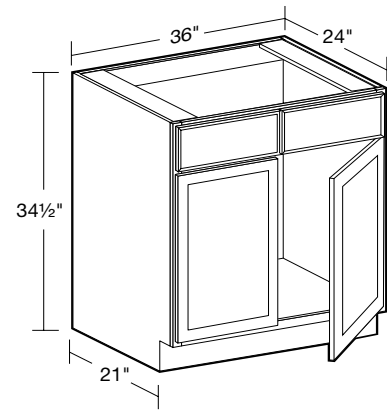
24" Deep Sink Base



SB30

- No shelf, false drawer front
- May also be used as drop-in cooktop base

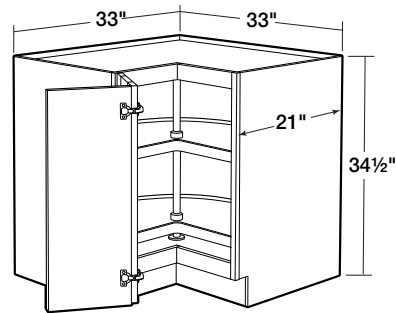
24" Deep Sink Base



SB36

- No shelf, two false drawer fronts
- May also be used as drop-in cooktop base

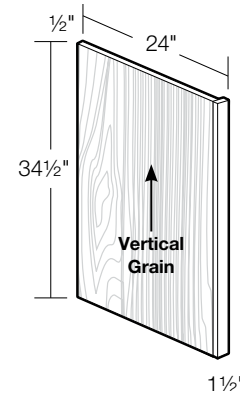
36" Easy Reach Super Suzan



EZR3621LSS

- Polymer, pie-cut independently revolving shelves
- Doors open 170 degrees for easy access
- Cabinet requires 36" of space
- Cabinet face frame will need to be pulled so it lines up with adjacent cabinet face frames
- **SOFT CLOSE DOOR (SCD) OPTION NOT AVAILABLE**

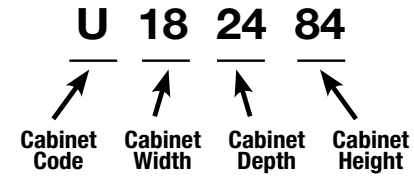
24" Deep End Panel with 1 1/2" wide Filler



BP1.5

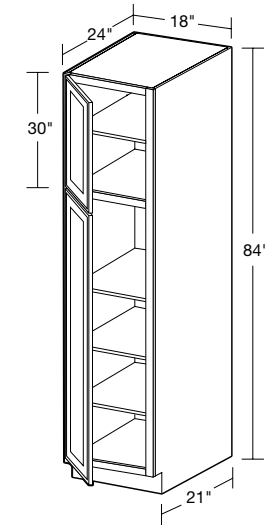
- 1 1/2" wide filler included
- Filler is 3/4" thick vinyl wrapped MDF
- Panel and filler supplied loose for field assembly
- Reversible, may be installed left or right
- 1/2" thick plywood panel finished with laminate color matched to cabinetry face frame
- Top and bottom of filler unfinished
- Filler can be trimmed down by 5/8" on jobsite

TALL CABINET CODING



- Standard Tall Cabinets are 24" deep
- Add door thickness for total cabinet depth
- Products are available in all door styles unless stated otherwise
- Standard cabinet exterior is color matched to face frame
- Soft close hinges

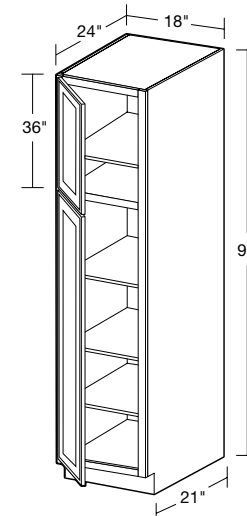
24" Deep Two Door Utility



U182484L

- One fixed shelf dividing upper and lower doors, four adjustable shelves

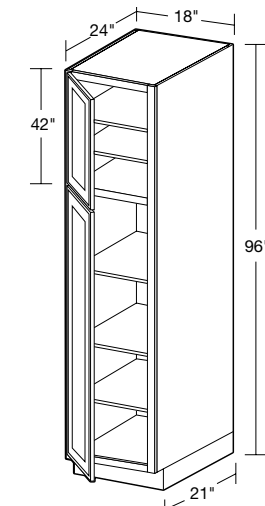
24" Deep Two Door Utility



U182490L

- One fixed shelf dividing upper and lower doors, four adjustable shelves

24" Deep Two Door Utility

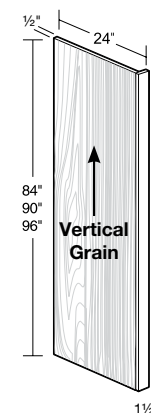


U182496L

- One fixed shelf dividing upper and lower doors, five adjustable shelves
- * Loose toe kick box for ease of installation

NOTE: Loose toe kick box will have a finished side, but will have a seam at bottom

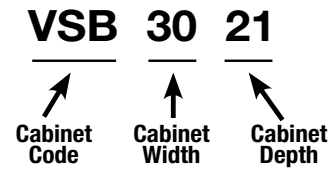
24" Deep Refrigerator Panel with 1 1/2" wide Filler



RP1.596

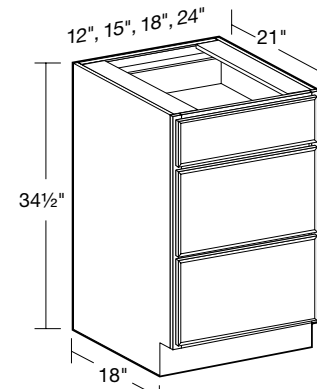
- 1 1/2" wide filler included
- Filler is 3/4" thick vinyl wrapped MDF
- Panel and filler supplied loose for field assembly
- Reversible, may be installed left or right
- 1/2" thick plywood panel finished with laminate color matched to cabinetry face frame
- Filler can be trimmed down by 5/8" on jobsite

VANITY CABINET CODING



- Standard Vanity Base Cabinets are 21" deep and 34½" high
- Cabinet depth does not include door thickness
- Custom Depths are available where indicated. Use Standard Base Cabinet coding to order as specified.**
- Products are available in all door styles unless stated otherwise
- Standard cabinet exterior sides are color matched to face frame
- Soft close unless otherwise stated

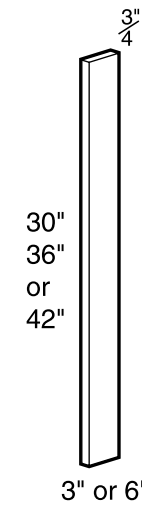
21" Deep Vanity Base Drawer



**STANDARD
21" DEPTHS**
VBD1221*
VBD1521
VBD1821
VBD2421

- One standard drawer
- Two deep drawers
- * Maximum drawer handle width for drawers is 4" wide for raised panel styles, 5½" wide for recessed panel styles.

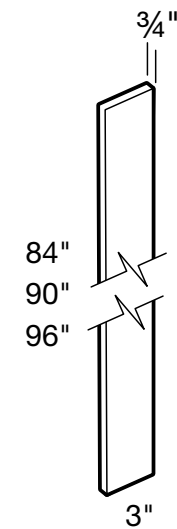
Filler Strips



**FS30
FS42
FS630**

- 3/4" thick vinyl wrapped MDF
- Face and sides finished
- NOTE: Thick dark lines indicate finished edges**

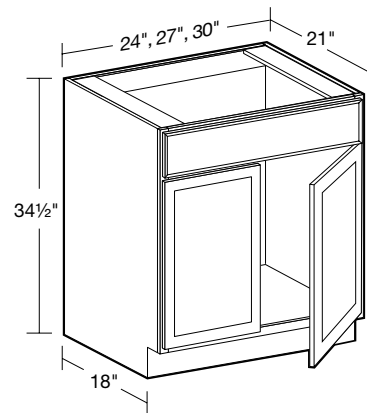
Tall Filler Strips



**FS84
FS90
FS96**

- 3/4" thick vinyl wrapped MDF
- Face and sides finished
- NOTE: Thick dark lines indicate finished edges**

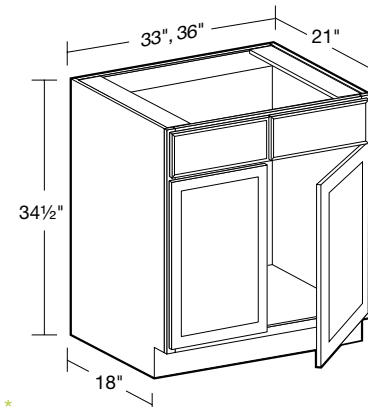
21" Deep Double Door Vanity Sink Base



**STANDARD
21" DEPTHS**
VSB2421
VSB2721
VSB3021

- No shelf
- False drawer front

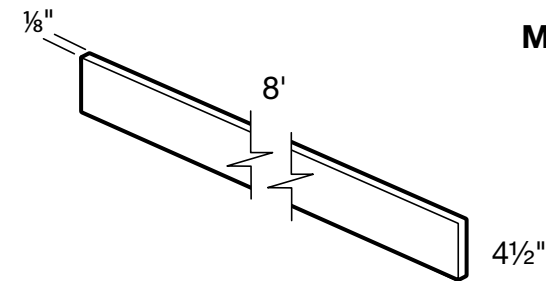
21" Deep Double Door Vanity Sink Base



**STANDARD
21" DEPTHS**
VSB3321
VSB3621

- No shelf, two false fronts

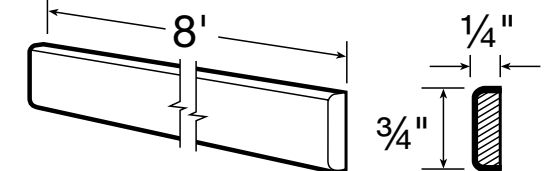
8' Finished Toe Kick – Matches Frame Color



MTK8

- 1/8" thick plywood finished with laminate color matched to cabinetry face frame
- Field modified and installed
- NOTE: Thick dark lines indicate finished edges**

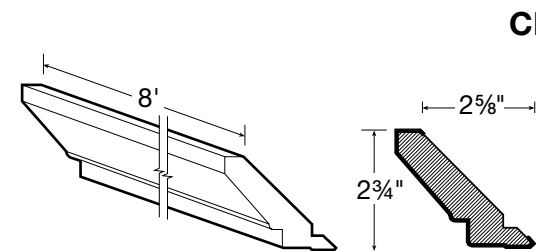
Batten Molding



BM8

- 1/4" thick solid wood
- NOTE: Thick dark lines indicate finished edges**

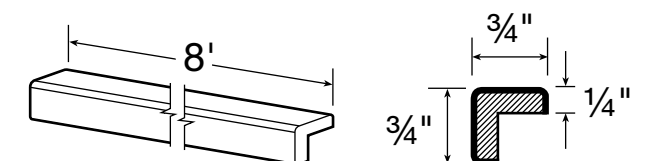
Contemporary Crown Molding



CMV8

- 3/4" thick solid MDF
- NOTE: Thick dark lines indicate finished edges**

Outside Corner Molding



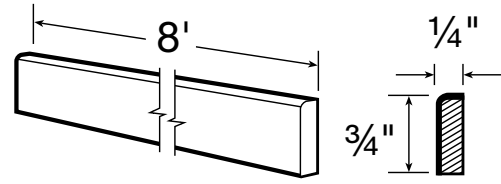
OSC8

- 3/4" thick solid wood
- NOTE: Thick dark lines indicate finished edges**

Molding/Decorative Hardware

Scribe Molding

SM8



- 1/4" thick solid wood

NOTE: Thick dark lines indicate finished edges

DH45-100 - 6 15/16" Euro Pull
3-13/16" center (96mm)



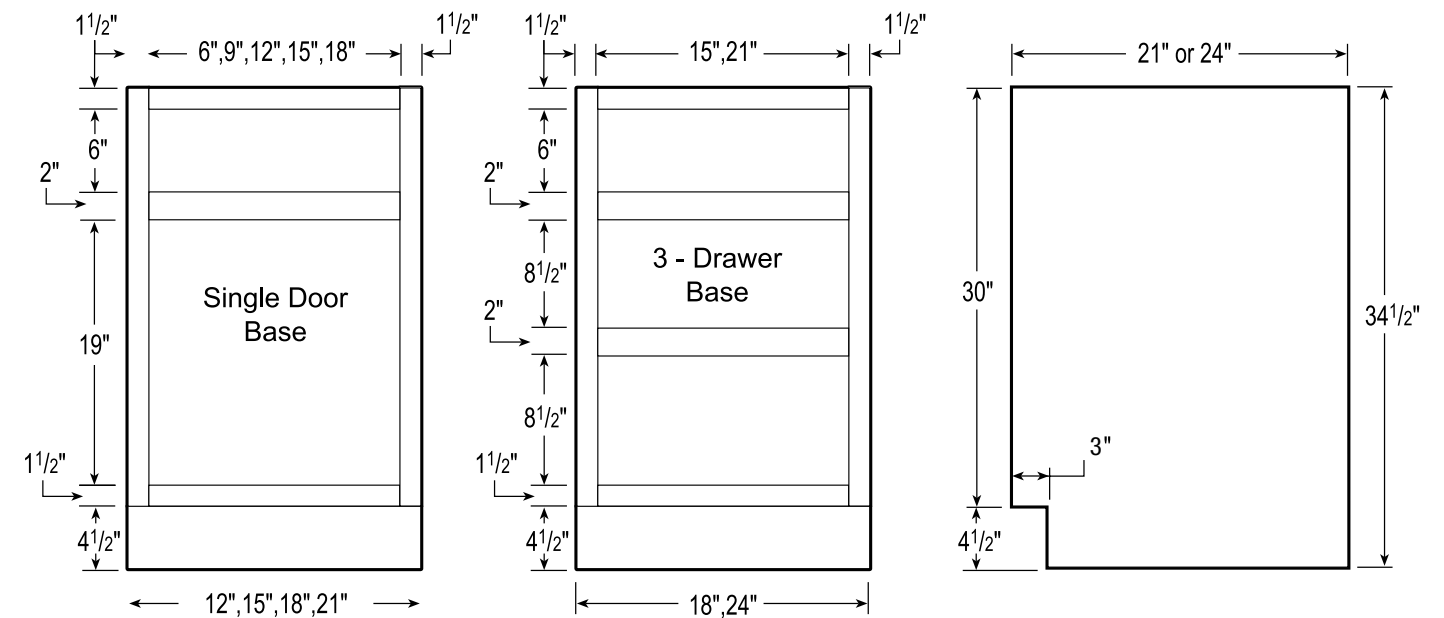
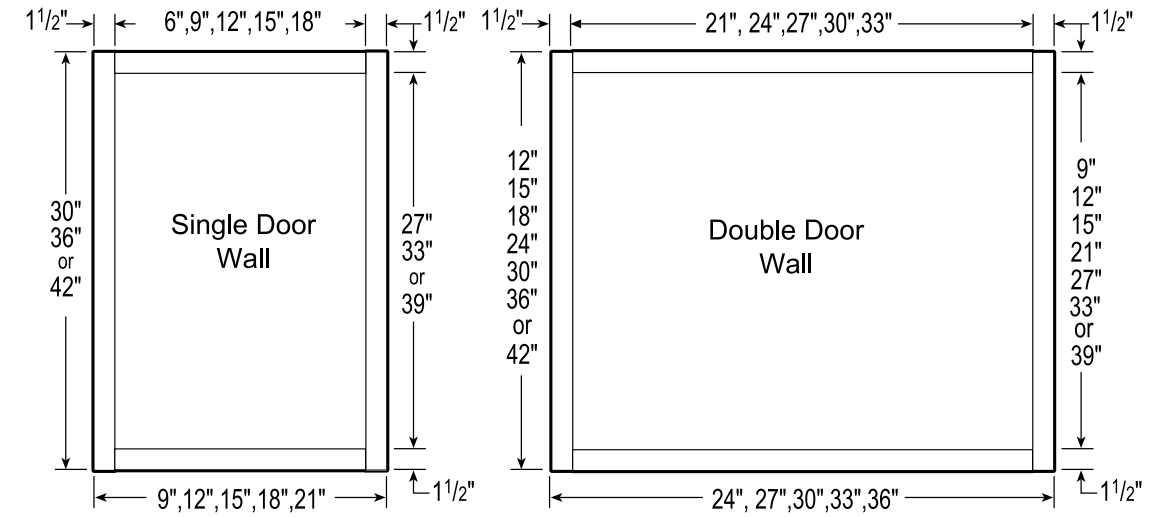
- Euro railing pull
- Brushed nickel

DESIGN TIP: Make sure to double check the length of drawer/door to ensure pull will fit the cabinet

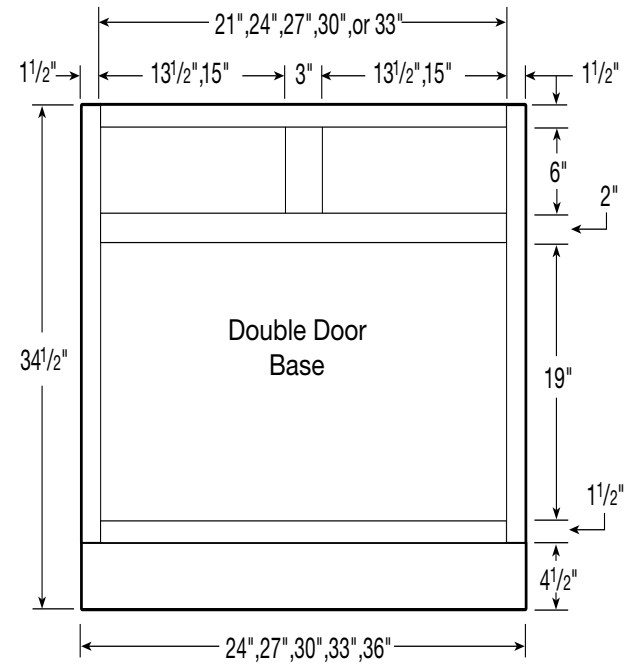


Vesper White

Cabinet Frame & Opening Dimensions



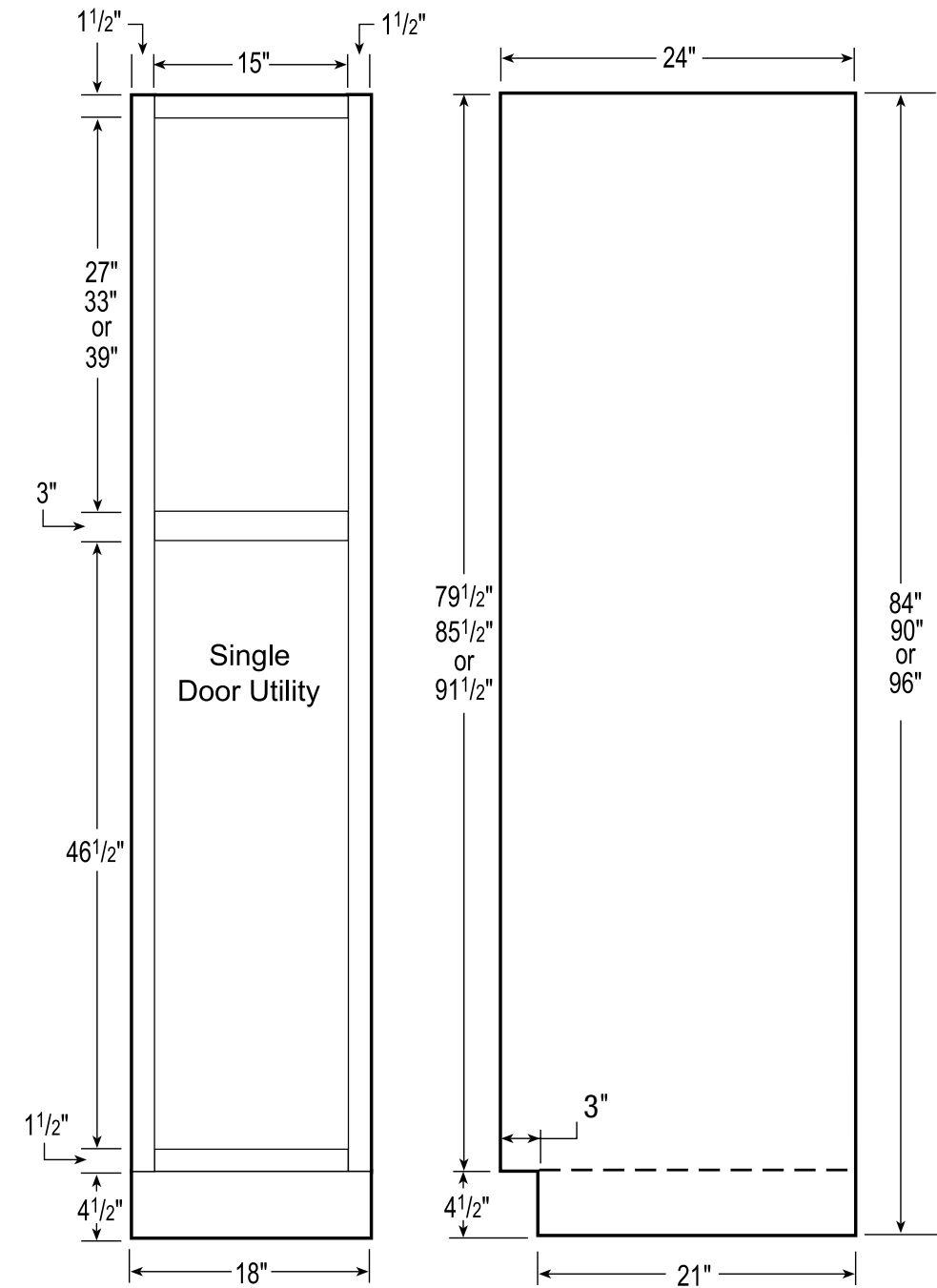
Cabinet Frame & Opening Dimensions



NOTE: B27, B30 have full width drawers

DRAWER BOX INSIDE DIMENSIONS						
CABINET	SHALLOW DRAWER			DEEP DRAWER		
	HEIGHT	DEPTH	WIDTH	HEIGHT	DEPTH	WIDTH
B12	4-3/8"	19-11/16"	6-7/8"	N/A	N/A	N/A
VBD1221	4-3/8"	16-11/16"	6-7/8"	6-3/4"	16-11/16"	6-7/8"
B15	4-3/8"	19-11/16"	9-7/8"	N/A	N/A	N/A
VBD1521	4-3/8"	16-11/16"	9-7/8"	6-3/4"	16-11/16"	9-7/8"
B18, BD18	4-3/8"	19-11/16"	12-7/8"	6-3/4"	19-11/16"	12-7/8"
VBD1821	4-3/8"	16-11/16"	12-7/8"	6-3/4"	16-11/16"	12-7/8"
B21	4-3/8"	19-11/16"	15-7/8"	N/A	N/A	N/A
B24, BD24	4-3/8"	19-11/16"	18-7/8"	6-3/4"	19-11/16"	18-7/8"
B27	4-3/8"	19-11/16"	21-7/8"	N/A	N/A	N/A
B30	4-3/8"	19-11/16"	24-7/8"	N/A	N/A	N/A
B33	4-3/8"	19-11/16"	11-1/4"	N/A	N/A	N/A
B36	4-3/8"	19-11/16"	12-7/8"	N/A	N/A	N/A

Cabinet Frame & Opening Dimensions



NOTE: 96" TALL CABINETS ARE SUPPLIED WITH LOOSE TOE KICK BOX



ContractorExpressCabinets®



Veiled Gray

QUICK SHIP - SHIPS IN 5 DAYS OR LESS TO JOBSITE

Have Questions? Need Design Help?

 ContractorExpressCabinets.com  homerdesigntools.com  866-474-0035

Monday-Friday 9 A.M. to 8 P.M. EST | Saturday 9 A.M. to 6 P.M. EST

January 2023

KCMA

CARB2 compliant



CE-SPECBOOK-0123