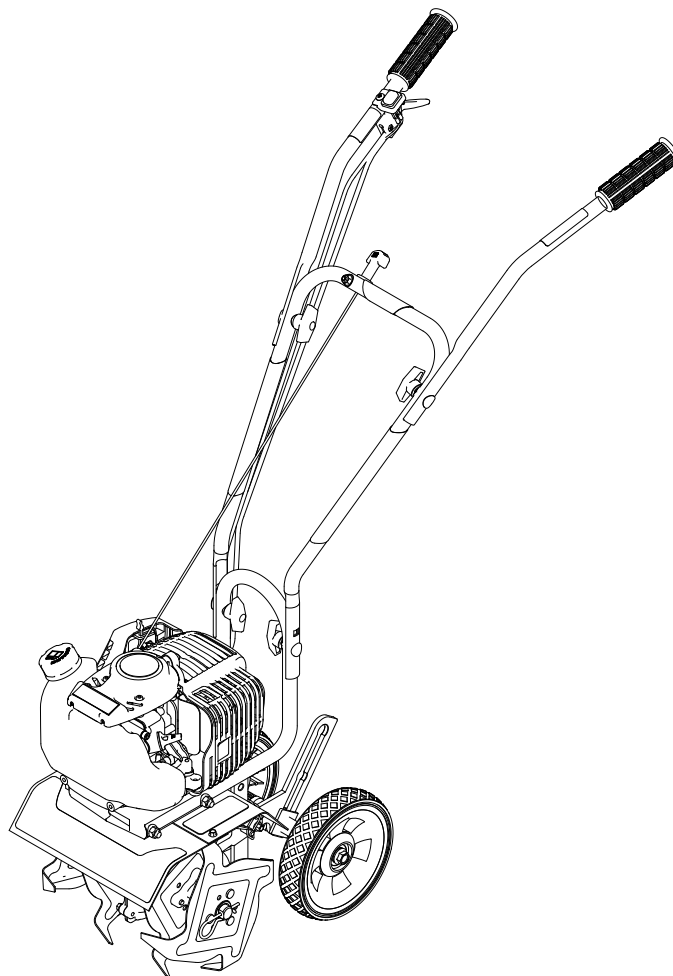




Operator's Manual
Original Operating Instructions
Manuel de l'utilisateur
Manual del operador
MC440
4-Cycle Cultivator
Motobineuse 4 temps
Cultivador de 4 ciclos

SN



Includes Model:
Inclut le modèle, Incluye el modelo

12802

Get parts online at
Pièces détachées en ligne à
Obtenga piezas en línea en
www.GetEarthquake.com



P/N: 23437
ECN: 11480
REV2: 01/10/17
© 2017 Ardisam, Inc.
All Rights Reserved
Tous droits réservés
Todos los derechos reservados

INTRODUCTION

Congratulations on your investment in quality. Thank you for purchasing a 4-cycle cultivator from *Earthquake*®. We have worked to ensure that this cultivator meets the highest standards for usability and durability. With proper care, your cultivator will provide many years of service.

Please read this entire manual before installation and use. *Earthquake* reserves the right to change, alter or improve the product and this document at any time without prior notice.

CONTENTS

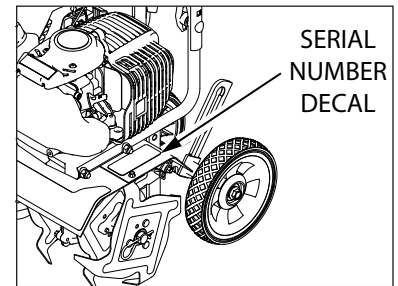
Registration	2
Warnings and Safety Precautions.....	3-7
Features/Specifications	8
Unpacking and Assembly	9
Operation	9-13
Maintenance & Storage.....	13-15
Troubleshooting and Repair.....	15-16
Parts Breakdown.....	17-21
15073 Border-Edger Kit Installation.....	22
DK43 Dethatcher Kit Installation	23
Warranty	24

FEDERAL EMISSIONS INFORMATION

Earthquake warrants to the retail purchaser, that this small, off-road engine was designed, built and equipped to conform at the time of initial sale to all applicable regulations of the U.S. Environmental Protection Agency (EPA).

REGISTRATION AND SERVICE

Record the engine model number and serial number in the space provided for easy reference when ordering parts or requesting technical support. Excluding emissions-related warranty items, the warranty is valid only if the completed registration is received by Ardisam within 30 days of purchase. **(SEE WARRANTY SECTION FOR MORE INFORMATION.)** You can register your warranty online by visiting www.getearthquake.com, or by mailing it to: Ardisam, 1160 Eighth Avenue, Cumberland, WI 54829. If you do not have a computer, call our customer service department at (800) 345-6007 Mondays through Fridays from 8 a.m. to 5 p.m. CST.



OWNERSHIP RECORDS		
Owner's Name:		
Owner's Address:		
City:	State/Province:	Zip Code/Postal Code:
Model Number:	Serial Number:	
Date of Purchase:		
Notes:		

This manual may contain information for several models. Read and keep this manual for future reference. This manual contains important information on SAFETY, ASSEMBLY, OPERATION, AND MAINTENANCE. The owner must be certain that all the product information is included with the unit. This information includes the MANUAL, the REPLACEMENT PARTS and the WARRANTIES. This information must be included to make sure state laws and other laws are followed. This manual should remain with the product even if it is resold.

WARNINGS AND SAFETY PRECAUTIONS

OWNER'S RESPONSIBILITY

Accurate assembly and safe and effective use of the machine is the owner's responsibility.

- Read and follow all safety instructions.
- Carefully follow all assembly instructions.
- Maintain the machine according to directions and schedule included in this *Earthquake* operator's manual.
- Ensure that anyone who uses the machine is familiar with all controls and safety precautions.

SPECIAL MESSAGES

Your manual contains special messages to bring attention to potential safety concerns, machine damage as well as helpful operating and servicing information. Please read all the information carefully to avoid injury and machine damage.

NOTE: *General information is given throughout the manual that may help the operator in the operation or service of the machine.*



This symbol points out important safety instructions which if not followed could endanger your personal safety. Read and follow all instructions in this manual before attempting to operate this equipment.

BEFORE OPERATING ENGINE:

Please read this section carefully. Read entire operating and maintenance instructions for this product. Failure to follow instructions could result in serious injury or death. Operate the machine according to the safety instructions outlined here and inserted throughout the text. Anyone who uses this machine must read the instructions and be familiar with the controls.

Intended Use / Foreseeable Misuse

IMPORTANT: This is a motorized rotary cultivator that works the soil by means of rotating tines. It is pedestrian-controlled, but not self-propelled, with a gasoline-fueled internal combustion engine to power the tines. It shall not be used for any other purpose.



NOTICE

NOTICE INDICATES YOUR EQUIPMENT CAN BE DAMAGED IF THE SAFETY INSTRUCTIONS THAT FOLLOW THIS SIGNAL WORD ARE NOT OBEYED.



CAUTION

CAUTION INDICATES A HAZARD WHICH, IF NOT AVOIDED, COULD RESULT IN PERSONAL INJURY AND/OR PROPERTY DAMAGE.



WARNING

WARNING INDICATES A HAZARD WHICH, IF NOT AVOIDED, COULD RESULT IN DEATH OR SERIOUS INJURY AND/OR PROPERTY DAMAGE.



DANGER

DANGER INDICATES A HAZARD WHICH, IF NOT AVOIDED, WILL CERTAINLY RESULT IN DEATH OR SERIOUS INJURY AND/OR PROPERTY DAMAGE.

IMPORTANT

IMPORTANT INDICATES HELPFUL INFORMATION FOR PROPER ASSEMBLY, OPERATION, OR MAINTENANCE OF YOUR EQUIPMENT.



WARNING

CALIFORNIA PROPOSITION 65 WARNING

ENGINE EXHAUST FROM THIS PRODUCT CONTAINS CHEMICALS KNOWN TO THE STATE OF CALIFORNIA TO CAUSE CANCER, BIRTH DEFECTS, OR OTHER REPRODUCTIVE HARM.



WARNING

YOU MUST READ, UNDERSTAND AND COMPLY WITH ALL SAFETY AND OPERATING INSTRUCTIONS IN THIS MANUAL BEFORE ATTEMPTING TO SETUP AND OPERATE YOUR MACHINE.

FAILURE TO COMPLY WITH ALL SAFETY AND OPERATING INSTRUCTIONS CAN RESULT IN LOSS OF MACHINE CONTROL, SERIOUS PERSONAL INJURY TO YOU AND/OR BYSTANDERS, AND RISK OF EQUIPMENT AND PROPERTY DAMAGE. THE TRIANGLE IN THE TEXT SIGNIFIES IMPORTANT CAUTIONS OR WARNINGS WHICH MUST BE FOLLOWED.

GENERAL SAFETY RULES

- Read, understand, and follow all instructions on the machine and in the manual(s). Be thoroughly familiar with the controls and the proper use of the machine before starting.
- Use this equipment for its intended purpose only.
- Familiarize yourself with all of the safety and operating decals on this equipment and on any of its attachments or accessories.
- Do not put hands or feet near or under rotating parts.
- Only allow responsible individuals who are familiar with the instructions to operate the machine. Do not allow children to operate this machine. Do not allow adults to operate the machine without proper instruction.
- Thoroughly inspect the area where the machine is to be used and remove all foreign objects. Your equipment can propel small objects at high speed causing personal injury or property damage. Stay away from breakable objects, such as house windows, automobiles, greenhouses, etc.
- Wear appropriate clothing such as a long-sleeved shirt or jacket. Also wear long trousers or slacks. Do not wear shorts. Never wear sandals, sneakers or open shoes, and never operate the machine with bare feet.
- Do not wear loose clothing or jewelry. They can get caught in moving parts. Always keep hands, feet, hair and loose clothing away from any moving parts on engine and machine.
- Always wear safety goggles or safety glasses with side shields when operating the machine to protect your eyes from foreign objects which can be thrown from the unit. Always wear a protective hearing device.
- Always wear work gloves and sturdy footwear. Wear footwear that will improve footing on slippery surfaces. Leather work shoes or short boots work well for most people. These will protect the operator's ankles and shins from small sticks, splinters, and other debris.
- It is advisable to wear protective headgear to prevent the possibility of being struck by small flying particles, or being struck by low hanging branches, twigs, or other objects which may be unnoticed by the operator.
- Do not operate the machine without proper guards or other safety protective devices in place.
- See manufacturer's instructions for proper operation and installation of accessories. Only use accessories approved by the manufacturer.
- Operate only in daylight or good artificial light.
- Do not operate product when fatigued or under the influence of alcohol, drugs or other medication which can cause drowsiness or affect your ability to operate this machine safely.
- Never operate machine in wet grass. Always be sure of your footing; keep a firm hold on the handle and walk; never run.
- Watch for traffic when operating cultivator near, or when crossing roads.
- If the equipment should start to vibrate abnormally, stop the engine (motor), flip the ON/OFF switch to the **OFF** position. Check immediately for cause. Vibration is generally a warning of trouble. If the noise or vibrations of the machine increase, stop immediately and perform an inspection.
- Never leave the machine unattended when the engine is running. Flip the ON/OFF switch to the **OFF** position.
- Regularly inspect the machine. Make sure parts are not bent, damaged or loose.
- Temperature of muffler and nearby areas may exceed 150° F (65° C). Allow muffler and engine areas to cool before touching. Never pick up or carry the machine while the engine is running.
- Prolonged exposure to noise and vibration from gasoline engine-powered equipment should be avoided. Take intermittent breaks and/or wear ear protection from engine noise as well as heavy work gloves to reduce vibration in the hands.
- Keep all screws, nuts and bolts tight.
- Do not transport the machine from one place to another with the engine running.
- When moving the packaged machine, always do so with a partner.
- Check local regulations for age restrictions on use of this machine.

PRODUCT-SPECIFIC SAFETY RULES

- Do not cultivate above underground utilities, including water lines, gas lines, electric cables, or pipes. Do not operate the machine on terrain/soil with large rocks and foreign objects which can damage the equipment.
- After striking a foreign object, stop the engine. Flip the ON/OFF switch to the **OFF** position. Inspect the machine for damage. If damaged, repair before starting and operating the machine.
- The tines of the cultivator should not rotate when the engine is idling. If it does rotate when engine is idling, contact *Earthquake* customer service for instruction.
- If an object becomes lodged in the tines, flip the ON/OFF switch to the **OFF** position, allow to cool before attempting to remove the foreign object.
- The clutch will transfer maximum power after about two hours of normal operation. During this break-in period clutch slippage may occur. The clutch should be kept free of oil or other moisture for efficient operation.

 **DANGER**

ENGINES GIVE OFF CARBON MONOXIDE, AN ODORLESS, COLORLESS, POISONOUS GAS. CARBON MONOXIDE MAY BE PRESENT EVEN IF YOU DO NOT SMELL OR SEE ANY ENGINE EXHAUST. BREATHING CARBON MONOXIDE CAN CAUSE NAUSEA, FAINTING OR DEATH, IN ADDITION TO DROWSINESS, DIZZINESS AND CONFUSION.

IF YOU EXPERIENCE ANY OF THESE SYMPTOMS, SEEK FRESH AIR AND MEDICAL ATTENTION IMMEDIATELY.

ENGINE SAFETY PRECAUTIONS

If your product comes with a separate engine manual, be sure to read and follow all safety and warning precautions outlined there, in addition to any in this manual.

Preventing Carbon Monoxide Poisoning

- Always start and run engine outdoors. Do not start or run engine in an enclosed area, even if doors or windows are open.
- Never try to ventilate engine exhaust indoors. Carbon monoxide can reach dangerous levels very quickly.
- Never run engine outdoors where exhaust fumes may be pulled into a building.
- Never run engine outdoors in a poorly ventilated area where the exhaust fumes may be trapped and not easily taken away. (Examples include: in a large hole or areas where hills surround your working area.)
- Never run engine in an enclosed or partially enclosed area. (Examples include: buildings that are enclosed on one or more sides, under tents, car ports or basements.)
- Always run the engine with the exhaust and muffler pointed in the direction away from the operator.
- Never point the exhaust muffler towards anyone. People should always be many feet away from the operation of the engine and its attachments.
- Do not change the engine governor settings or over-speed the engine.

Gasoline Fires and Handling Fuel Safely

Use extra care in handling gasoline and other fuels. They are flammable and vapors are explosive.

- When storing extra fuel be sure that it is in an appropriate container and away from any fire hazards.
- Prevent fire and explosion caused by static electric discharge. Use only nonmetal, portable fuel containers approved by the Underwriter's Laboratory (U.L.) or the American Society for Testing & Materials (ASTM).

 **CAUTION**

HOT GASES ARE A NORMAL BY-PRODUCT OF A FUNCTIONING INTERNAL COMBUSTION ENGINE. FOLLOW ALL SAFETY INSTRUCTIONS TO PREVENT BURNS AND FIRES.

 **WARNING**

NEVER ALTER OR MODIFY THE ENGINE FROM THE FACTORY. SERIOUS INJURY OR DEATH MAY OCCUR IF ENGINE IS MODIFIED OR ALTERED.

WHEN WORKING ON OR REPLACING PARTS FOR THE ENGINE OR PRODUCT, YOU MUST ALWAYS FLIP THE ON/OFF SWITCH TO THE OFF POSITION.

- Always fill fuel tank outside in a well ventilated area. Never fill your fuel tank with fuel indoors. (Examples include: basement, garage, barn, shed, house, porch, etc.) Never fill tank near appliances with pilot lights, heaters, or other ignition sources. If the fuel has to be drained, this should be done outdoors. The drained fuel should be stored in a container specifically designed for fuel storage or it should be disposed of carefully.
- Never remove the fuel cap or add fuel with the engine running. Stop engine and allow to cool before filling.
- Never drain fuel from engine in an enclosed area.
- Always wipe up excess (spilled) fuel from engine before starting. Clean up spilled fuel immediately. If fuel is spilled, do not start the engine but move product and fuel container from area. Clean up spilled fuel and allow to evaporate and dry after wiping and before starting.
- Allow fuel fumes/vapors to escape from the area before starting engine.
- Test the fuel cap for proper installation before starting and using engine.
- Always run the engine with fuel cap properly installed on the engine.
- Never smoke while refilling engine fuel tank.
- Do not store engine with fuel in fuel tank indoors. Fuel and fuel vapors are highly explosive.

- Never siphon fuel by mouth to drain fuel tank.
- Always have an adult fill the fuel tank and never allow children to fill the engine.
- Never allow an adult or anyone under the influence of drugs or alcohol to fill engine.
- When storing gasoline or equipment with fuel in the tank, store away from furnaces, stoves, water heaters or other appliances that have a pilot light or other ignition source because they can ignite gasoline vapors.

BURNS AND FIRES

The muffler, muffler guard and other parts of the engine become extremely hot during the operation of the engine. These parts remain extremely hot after the engine has stopped.

Prevention of Burns and Fires

- Never remove the muffler guard from the engine.
- Never touch the muffler guard because it is extremely hot and will cause severe burns.
- Never touch parts of the engine that become hot after operation.
- Always keep materials and debris away from muffler guard and other hot parts of the engine to avoid fires.

CHILDREN AND BYSTANDERS

Tragic accidents can occur if the operator is not alert to the presence of children and/or bystanders. Never assume that others will remain where you last saw them.

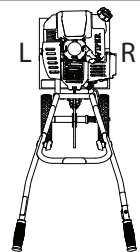
- Keep the area of operation clear of all persons, especially small children and pets. Keep children under the watchful care of a responsible adult.
- Be alert and turn machine off if children enter the area.
- Before and while moving backwards, look behind and down for small children.
- Never allow children to operate the machine.
- Use extra care when approaching blind corners, shrubs, trees, or other objects that may obscure vision.

SERVICE

- Always stop the engine whenever you leave the equipment, before cleaning, repairing or inspecting the unit. Engine should be turned off and cool. Never make adjustments or repairs with the engine (motor) running. Flip the ON/OFF switch to the **OFF** position to prevent accidental starting.
- Always wear eye protection when you make adjustments or repairs.
- Keep all nuts and bolts tight and keep equipment in good condition.
- Never tamper with safety devices. Check their proper operation regularly.
- When servicing or repairing the machine, do not tip the machine over or up unless specifically instructed to do so in this manual. Service and repair procedures can be done with the machine in an upright position. Some procedures will be easier if the machine is lifted on a raised platform or working surface.
- To reduce fire hazard, keep machine free of grass, leaves or other debris build-up. Clean up oil or fuel spillage. Allow machine to cool before storing.
- Stop and inspect the equipment if you strike an object. Repair, if necessary, before restarting.
- Clean and replace safety and instruction decals as necessary.
- Inspect machine before storage. When not in use, flip the ON/OFF switch to the **OFF** position and store indoors in a dry place locked or otherwise inaccessible to children.
- Use only original equipment parts from *Earthquake*, including all nuts and bolts.

NOTICE

THE RIGHT AND LEFT SIDES OF YOUR CULTIVATOR ARE DETERMINED FROM THE OPERATING POSITION AS YOU FACE THE DIRECTION OF FORWARD TRAVEL.



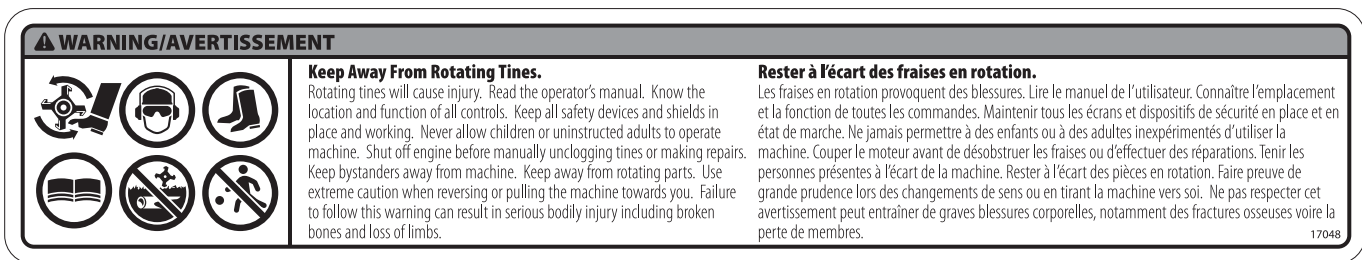
SAFETY DECALS

This cultivator has been designed and manufactured to provide you with the safety and reliability you would expect from an industry leader in outdoor power equipment manufacturing.

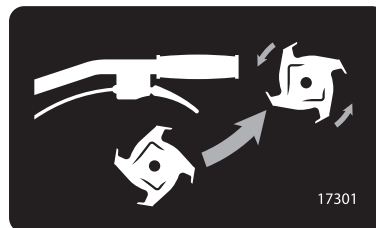
Reading this manual and the safety instructions it contains will provide you with the necessary basic knowledge to operate this equipment safely and effectively. We have placed a safety decal on the cultivator to remind you of some of this important information while you are operating the unit.

These important safety decals are illustrated below, and are shown here to help familiarize you with the location and content of the safety messages you will see as you perform normal cultivating operations. Please review these decals now, and if you have any questions regarding its meaning or how to comply with these instructions, reread the complete safety instruction text in this manual.

Should a decal become unreadable because of being worn, faded, or otherwise damaged during the use of your cultivator, please use the part number information provided to order a replacement label. Customers can order by calling *Earthquake* customer service. These decals are easily applied, and will act as a constant visual reminder to you, and others who may use the equipment, to follow the safety instructions necessary for safe, effective operation of your cultivator.



Part No. 17048
Cultivator Warning Decal - Tine Shield

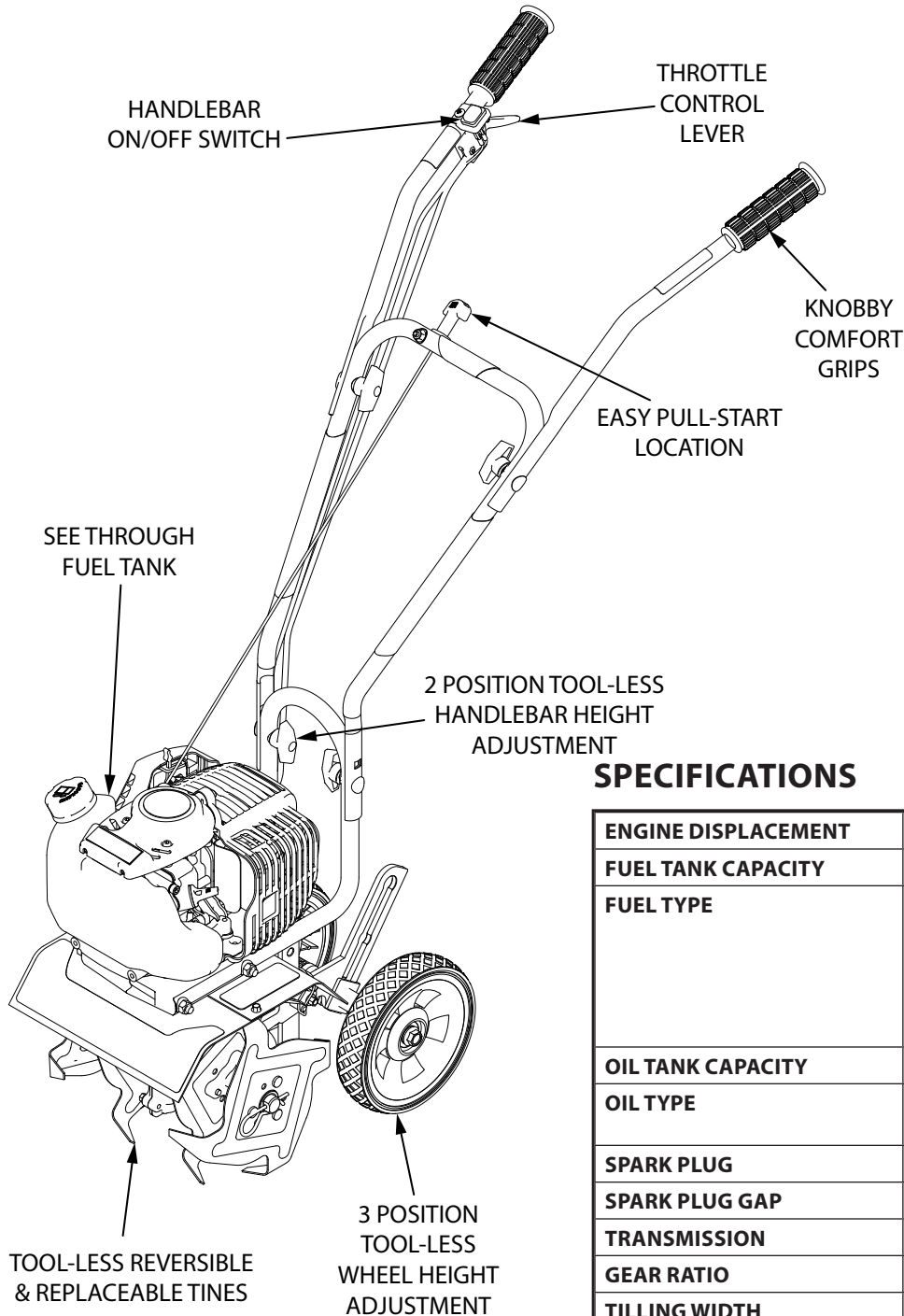


Part No. 17301
Throttle Control Decal - Right Handlebar



Part No. 17918
Free Hand Safe Starting Location Decal - Left Handlebar

FEATURES



SPECIFICATIONS

ENGINE DISPLACEMENT	40cc
FUEL TANK CAPACITY	0.75 L
FUEL TYPE	Minimum 87 octane gasoline with low ethanol content NOTE: If using an ethanol blended fuel, a fuel stabilizer, mixed to manufacturer specifications, is recommended
OIL TANK CAPACITY	3.72 fl-oz
OIL TYPE	OIL VIPER 4 CYCLE (p/n 13235) 10W-30
SPARK PLUG	NGK CMR6A
SPARK PLUG GAP	0.024 inch
TRANSMISSION	Bronze gear drive
GEAR RATIO	32:1
TILLING WIDTH	6 inch min. - 10 inch max.
TILLING DEPTH	8 inch max.
TINE SPEED	288 rpm max.
WHEEL SIZE	7.0 inch dia. x 1.375 inch wide
WEIGHT OF UNIT	33 lb
ASSEMBLED SIZE	33.6 x 17.8 x 40.6 inch

UNPACKING AND ASSEMBLY

UNPACK CULTIVATOR

- Carefully lift the cultivator out of the box, remove any packing material and cut any ties holding the handlebar pieces to the cultivator assembly.
- Find parts packet. Parts packet contains:
 - 4 - T-Handle Nuts (4640)
 - 4 - Curved Washers (4641)
 - 4 - Saddle Bolts (4642)

ASSEMBLY

- Stand the cultivator assembly upright with tines and wheels on a level surface. Wheels should be set in the lowest position (See page 12 for wheel adjustment instructions). **DO NOT** place the cultivator on a high surface where it can fall and cause property damage or personal injury.
- Using two T-handle nuts, two saddle bolts, and two curved washers, attach the middle handlebar to the lower handlebar that is already connected to the cultivator assembly (**SEE FIGURE 1**). Make sure the pull cord is in the center of the middle handle bar when attaching. The middle handlebar can be installed in one of two positions, one high and one low. **DO NOT** overtighten the T-handle nuts.
- Attach the upper right and left handlebars to the middle handlebar using the two remaining T-handle nuts, saddle bolts, and curved washers (**SEE FIGURE 1**). **DO NOT** overtighten the T-handle nuts.
- The drag stake is shipped with point facing upwards. Before using, remove lock pin and turn the drag stake around so the point is directed in the downward position facing towards the tines. Re-insert lock pin. **SEE FIGURE 2**

OPERATION

PREPARING ENGINE FOR STARTING

GAS AND OIL

NOTE: Engine is shipped from factory without oil. You must add engine oil before starting engine. If engine is started without oil, engine may be damaged beyond repair and will not be covered by warranty.

Quality

To operate the engine, we recommend using VIPER brand 4-cycle oil (13235), included with each new cultivator, or an equivalent 10W-30 engine oil to ensure that the engine operates correctly throughout the life of the engine. Use straight unleaded premium gasoline, low/no ethanol blends recommended.

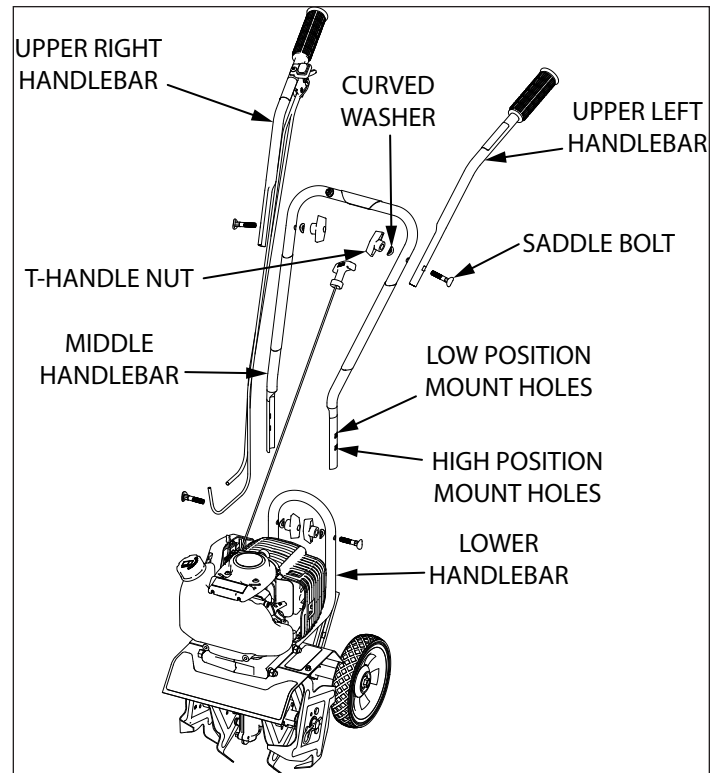


FIGURE 1

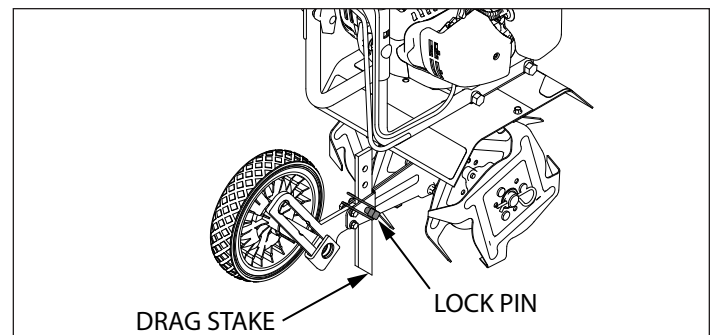


FIGURE 2

Checking and Adding Oil

Be sure the engine is located on a level surface before checking or refilling oil. Proper position for checking oil level or refilling oil is face down, with the gas tank of the cultivator down on a horizontal surface. **SEE FIGURE 3**

NOTICE

ENGINE MUST BE TIPPED FORWARD WITH FUEL TANK DOWN WHEN CHECKING OIL LEVEL OR FILLING WITH OIL. FAILURE TO DO SO CAN RESULT IN OVERFILLING THE ENGINE WITH OIL WHICH WILL IMPAIR THE ENGINE'S PERFORMANCE. ONLY CHECK OIL AFTER LETTING MACHINE SIT FOR FIVE MINUTES.

1. Clean around oil fill area.
2. Unscrew dipstick and wipe clean with cloth.
3. Reinsert dipstick (must be fully threaded for accurate reading).
4. Unscrew and check dipstick. If no oil shows on the dipstick, refill so that the oil level appears between the low and high marks on the dipstick. **SEE FIGURE 3**
5. Change oil if contaminated.

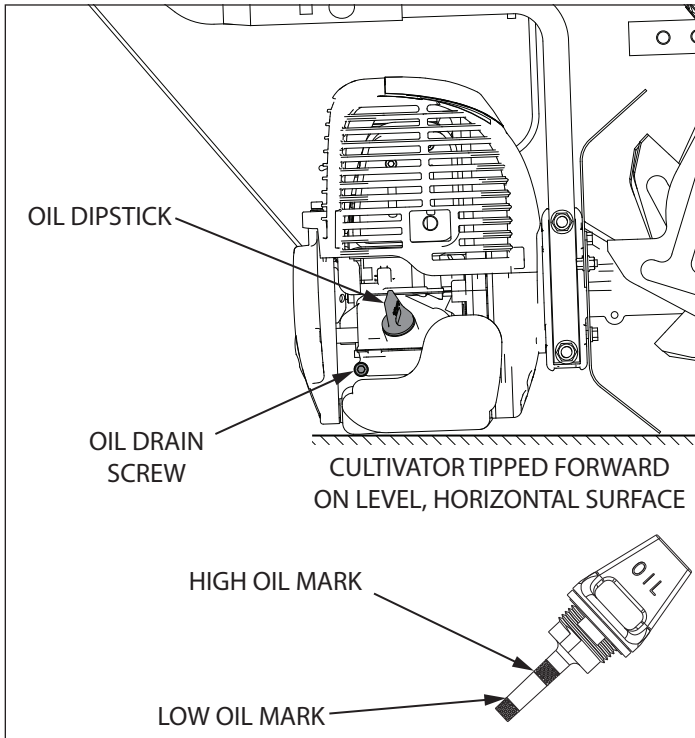


FIGURE 3

Filling Fuel Tank

1. Shut-off engine and allow engine to completely cool before refilling the fuel tank.
2. Move to a well ventilated area, outdoors, away from flames and sparks.
3. Clean debris from area around the fuel cap.
4. Loosen fuel cap slowly. Prevent the cap from coming in contact with dirt or debris.
5. Carefully add fuel without spilling.
6. Do not fill fuel tank completely full, allow space for fuel to expand.
7. Immediately replace fuel cap and tighten. Wipe off spilled fuel and allow to dry before starting engine.

! DANGER

ENGINE IS SHIPPED FROM FACTORY WITHOUT OIL. YOU MUST ADD ENGINE OIL BEFORE STARTING ENGINE. IF ENGINE IS STARTED WITHOUT OIL, ENGINE MAY BE DAMAGED BEYOND REPAIR AND WILL NOT BE COVERED BY WARRANTY.

NEVER STORE ENGINE WITH FUEL IN THE TANK INDOORS. FUEL AND FUEL VAPORS ARE HIGHLY FLAMMABLE.

ONLY AN ADULT MUST ALWAYS HANDLE AND FILL THE ENGINE WITH FUEL.

ALWAYS HANDLE GAS IN A WELL VENTILATED AREA, OUTDOORS, AWAY FROM FLAMES OR SPARKS.

DO NOT START ENGINE IF FUEL IS SPILLED. WIPE OFF EXCESS FUEL AND ALLOW TO DRY. REMOVE ENGINE FROM AREA TO AVOID SPARKS.

NOTICE

DO NOT SPRAY WATER ON OR NEAR THE ELECTRONICS OF THE CULTIVATOR AS THIS MAY RESULT IN DAMAGE TO THE ELECTRICAL COMPONENTS.

OPERATION TIPS

1. The clutch will transfer maximum power after about two hours of normal operation. During this break-in period clutch slippage may occur. The clutch should be kept free of oil and other moisture for efficient operation.
2. Cultivate without placing excessive body weight on the unit. The cultivator operates most efficiently with the weight of the unit itself.
3. Never run engine indoors. Exhaust fumes are deadly.

STARTING AND STOPPING ENGINE

- Move the engine to a well ventilated area, outdoors, to prevent carbon monoxide poisoning.
- Move to an area away from flames or sparks, to avoid ignition of vapors if present.
- Remove all debris from air cleaner holes and gas cap to ensure proper air flow.
- If it is the first time starting the cultivator, make sure the included 4-cycle oil has been poured into the oil fill area.

COLD ENGINE START:

Starting engine for first time or after engine has cooled off or after running out of fuel.

1. Move choke lever to **CHOKE** position. **SEE FIGURE 4**

NOTE: *CHOKE position is defined by moving the choke lever as far to the right, towards gas tank, as possible.*

2. Prime unit until primer hose is filled with gas.

NOTE: *When using the primer bulb, allow the bulb to return completely to its original position between pushes.*

3. Push **ON/OFF** switch to the **ON** position.
4. Hold handle bar firmly. Grasp starter handle and pull out slowly until it pulls slightly harder. Without letting the starter handle retract, pull rope with a rapid full arm stroke. Let it return to its original position slowly. Repeat this step every time the starter rope is pulled until unit fires or runs.

NOTE: *If engine fails to start after 5-6 pulls, push primer 1 time and pull starter rope again.*

5. After engine starts running, move choke lever to **HALF CHOKE** position until unit runs smoothly.

NOTE: *Half choke is defined when the choke lever is between CHOKE and RUN positions. SEE FIGURE 4*

6. Move choke lever to **RUN** position and squeeze throttle to desired speed. **SEE FIGURE 4**

NOTE: *Run at full throttle when possible. Do not let unit idle for extended periods of time.*

7. To stop engine, push **ON/OFF** switch to **OFF** position.

HOT/WARM ENGINE START:

1. Begin with Step 3 of Cold Engine Starting.
2. If engine does not fire, refer to Step 1 of Cold Engine Starting.

TO STOP ENGINE:

Push the **ON/OFF** switch to the **OFF** position.

DANGER

DO NOT ATTEMPT TO START ENGINE IN THE FOLLOWING WAYS:

- **DO NOT USE STARTING FLUID.**
- **DO NOT SPRAY FLAMMABLE LIQUIDS OR VAPORS INTO AIR CLEANER, CARBURETOR, OR SPARK PLUG CHAMBER.**
- **DO NOT REMOVE SPARK PLUG AND ATTEMPT TO START ENGINE. FLAMMABLE FUEL CAN SPRAY OUT & IGNITE FROM A SPARK FROM SPARK PLUG.**

CAUTION

MAKE SURE THE UNIT IS IN A STABLE POSITION BEFORE PULLING THE STARTER HANDLE.

WHEN THE UNIT STARTS TO FIRE OR RUN, RETURN BOTH HANDS TO THE HANDLEBAR POSITION TO MAINTAIN CONTROL AND STABILITY OF THE UNIT.

IF ENGINE FAILS TO START AFTER FOLLOWING STARTING PROCEDURES, PLEASE CONTACT OUR CUSTOMER SERVICE DEPARTMENT AT 800-345-6007.

STARTER ROPE CAN CAUSE AN UNANTICIPATED JERK TOWARD ENGINE. PLEASE FOLLOW INSTRUCTIONS TO AVOID INJURY.

NEVER LEAVE ENGINE RUNNING WHILE UNATTENDED. TURN OFF AFTER EVERY USE.

NEVER CARRY CULTIVATOR FROM ONE LOCATION TO ANOTHER WHILE ENGINE IS RUNNING.

ALWAYS WEAR A PROTECTIVE HEARING DEVICE.

DO NOT START ENGINE IF FUEL IS SPILLED. WIPE OFF EXCESS FUEL AND ALLOW TO DRY.

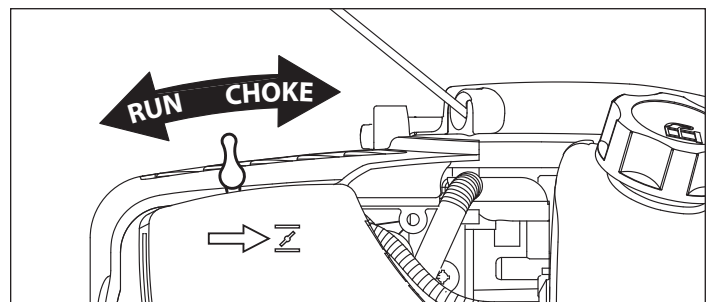


FIGURE 4
ADJUSTING WHEELS AND DRAG STAKE

The wheels on the cultivator can be adjusted to one of three positions. The **LOW** wheel position is used for transporting the cultivator across a smooth level surface while the engine is not running. The **HIGH** and **HIGHEST** wheel positions are used when cultivating in soil and help stabilize the unit when cultivating at different depths. (**SEE FIGURE 5**)

To adjust wheels up or down (**SEE FIGURES 6 AND 7**):

1. Pull the locking metal sleeve against the spring, away from the vertical guide until it releases from one of the three notched positions in the vertical guide.
2. Slide the wheel set up or down to the desired position, and release the locking metal sleeve until it locks into desired notch in the vertical guide.

The drag stake is used to help regulate cultivating depth and control the cultivator from leaping forward during operation. Resistance to forward motion is greatest when the drag stake is set in its lowest position allowing for deeper cultivation.

To adjust the drag stake (SEE FIGURE 7):

1. Pull the lock pin out of the drag stake mount hole.
2. Position the drag stake so the pointed tip is directed downward.
3. Insert the lock pin into the hole that achieves desired depth.

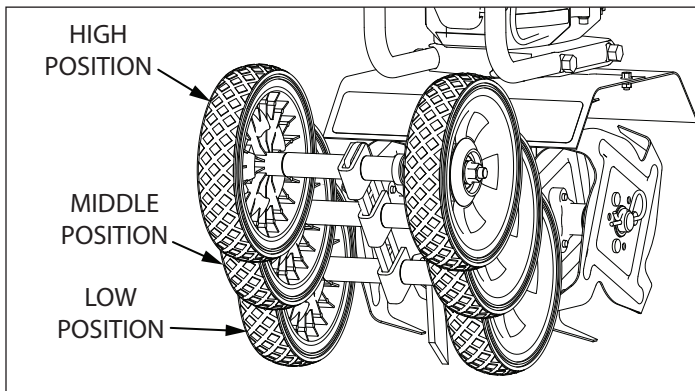


FIGURE 5

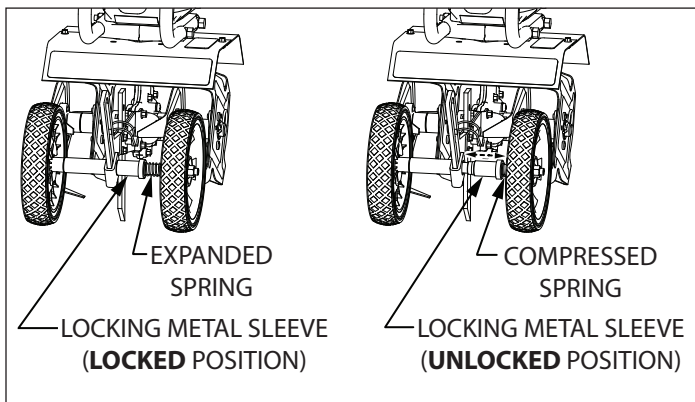


FIGURE 6

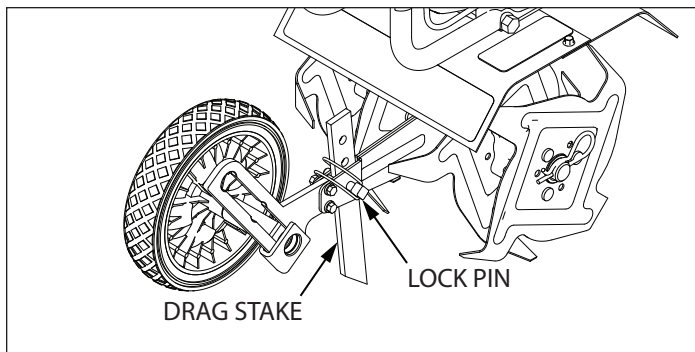


FIGURE 7

TINE REMOVAL AND INSTALLATION

To Remove Tines (SEE FIGURE 8)

1. Remove the hairpins from each end of the tine shaft.
2. Slide the four tines off the shaft.

To Install Tines

1. First slide the inside tines onto each end of the tine shaft. One inside tine is stamped with a **B** and the other is stamped with a **C**.
2. Slide the outside tine **A** and tine **D** onto each end of the shaft next. The tines should be installed in the correct order so that they are positioned left to right **A, B, C, D**, as viewed from the user's position on the MC440. Make sure that the hub collars on both the right and left pairs of tines face each other so that there is adequate spacing between the tine blades. **SEE FIGURE 8**
3. Insert the hairpins into the holes at each end of the tine shaft to lock the tines into place.

NOTE: Tines can be reversed so the pointed tip of the tines are directed forward - for more aggressive digging. In this arrangement, tines are positioned left to right **D, C, B, A** as viewed from the user's position

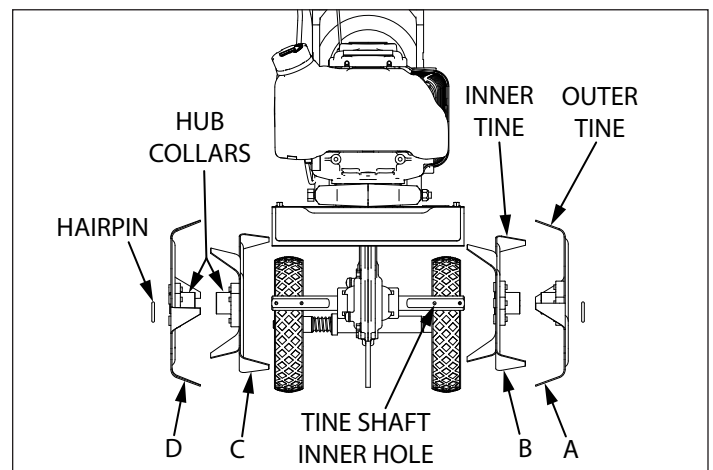


FIGURE 8

NOTE: To reduce cultivating width from 10" to 6", remove both outer tines and reinsert hairpins through the two inner holes on the tine shaft to secure both inner tines in place.

*Scan this QR code with your smartphone for helpful hints and tips for using your cultivator. www.getearthquake.com

You may need to get a QR Code® reader from your smartphone app store. Data rates may apply.



MAINTENANCE AND STORAGE

STEPS FOR WORKING ON EQUIPMENT

1. Flip the ON/OFF switch to the **OFF** position. **SEE FIGURE 9**
2. Replace or repair the part on the cultivator.
3. Check all parts that were repaired, or removed during repair, that they are secure and fit correctly.

NOTE: All repair parts must come from the factory. Never replace parts that are not specifically designed for the cultivator.

CULTIVATOR MAINTENANCE

1. Keep all screws, nuts, and bolts tight.
2. For cold weather operation, store the unit in a cool environment. Transferring the unit from a cold to a warm place can cause the build up of harmful condensation.

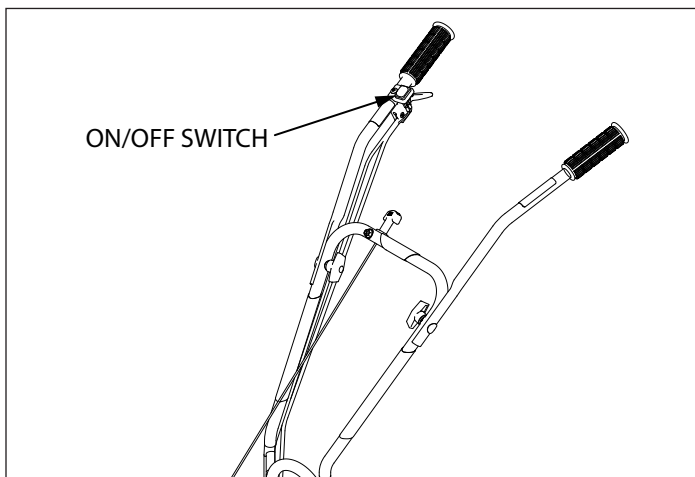


FIGURE 9

ENGINE MAINTENANCE

Refer to engine emission warranty included with your product for maintenance schedule.

Good maintenance is essential for safe, economical, and trouble-free operation. It will also help reduce air pollution. To help you properly care for your engine, the following pages include a maintenance schedule, routine inspection procedures, and simple maintenance procedures using basic hand tools. Other service tasks that are more difficult, or require special tools, are best handled by professionals and are normally performed by a technician or other qualified mechanic.

Maintenance, replacement or repair of the emissions control devices and systems may be performed by any non-road engine repair establishment or individuals. However, items must be serviced by an authorized dealer to obtain "no charge" emissions control warranty service.

WARNING

PRACTICE SAFETY AT ALL TIMES. ENGINE MUST BE TURNED OFF AND ALLOWED TO COOL BEFORE ATTEMPTING ANY MAINTENANCE OR REPAIR.

TO PREVENT ACCIDENTAL STARTING:

- **ENGINE MUST BE TURNED OFF AND COOL BEFORE CHECK AND ADJUSTING ENGINE OR EQUIPMENT.**
- **TEMPERATURE OF MUFFLER AND NEARBY AREAS MAY EXCEED 150° F (65° C). AVOID THESE AREAS.**
- **CHECK CULTIVATOR OFTEN FOR LOOSE NUTS AND BOLTS. KEEP THESE ITEMS TIGHTENED.**
- **NEVER STORE ENGINE WITH FUEL IN THE TANK INSIDE A BUILDING. POTENTIAL SPARKS MAY BE PRESENT FOR IGNITION OF FUEL AND FUEL VAPORS.**
- **ONLY AN ADULT MUST DO MAINTENANCE AND REPAIR ON ENGINE AND CULTIVATOR.**

NOTICE

PROPER POSITION FOR CHECKING OIL LEVEL OR REFILLING OIL IS FACE DOWN, WITH THE FUEL TANK OF THE CULTIVATOR DOWN ON A HORIZONTAL SURFACE. SEE FIGURE 3 ON PAGE 10. FAILURE TO MAINTAIN THIS POSITION CAN RESULT IN OVER FILLING THE ENGINE WITH OIL WHICH WILL IMPAIR THE ENGINE'S PERFORMANCE. ONLY CHECK OIL AFTER LETTING MACHINE SIT FOR FIVE MINUTES.

LUBRICATION

Choose engine oil that meets or surpasses the latest API service classification. For temperatures higher than 32° F, use 10W-30 motor oil. Use SAE 5W-30 if temperatures are below 32° F.

OIL MAINTENANCE

After the first five hours of operating a new Viper engine the oil should be replaced, and every 50 hours of operating time thereafter. The oil should be changed every 25 hours if used under severe conditions, such as in high temperatures or under heavy loads. Check oil periodically; do not overfill!

CHANGING OIL

Be sure the engine is not operating and is located on a level surface before checking or refilling oil. Engine should be warm for easy removal of oil.

STEPS FOR CHANGING OIL

1. Flip the ON/OFF switch to the **OFF** position.

2. Unscrew oil drain screw and empty oil into suitable oil container. (SEE FIGURE 3 on PAGE 10) Dispose of oil properly.
3. Reinsert drain screw and remove oil dipstick.
4. Fill with appropriate oil to "FULL" or top line of dipstick (SEE FIGURE 3 on page 10).
5. Reinsert dipstick or oil fill cap and tighten.

SPARK PLUG

The recommended spark plug is a NGK CMR6A. For maintenance and care of the spark plug go online to www.getearthquake.com for instructions or call *Earthquake* customer service.

CARBURETOR

Never tamper with factory setting of the carburetor.

COOLING FINS

Cooling fins, air inlets and linkages must be free from any debris before each use.

AIR FILTER

Never run engine without air cleaner properly installed. Added wear and engine failure may occur if air cleaner is not installed on engine.

Service air cleaner every 3 months or after 20 hours of operation. Clean filter daily in extremely dusty conditions.

Steps for Replacing and Cleaning Air Filter

1. Before removing the air filter cover, move the choke lever to the **CHOKE** position.
2. To remove air filter cover, unscrew the cover bolt with a screw driver and gently pop out the front latch tab. The cover then can be slid off the back latch tabs and away from the engine. **SEE FIGURE 10**
3. Remove the foam filter and fiber filter elements. Replace with a new fiber filter and a new oiled foam filter (**SEE FIGURE 11**), or clean the original foam and fiber filters with warm water and mild soap. Remember to thoroughly oil the foam filter with 30 or 40 weight motor oil and squeeze out any excess oil before reinstalling it. Make sure to press the foam filter evenly into place over the fiber filter to ensure that the foam is fully seated into its sealed position.
4. Replace the air filter cover by first connecting the back latch tabs then swinging the cover, making sure the foam filter block stays fully seated and in its proper position, and connect the front latch tab so that it is secured into place.
5. Screw the cover bolt back into place. Check that the cover is securely attached by pulling slightly on the cover. If the cover doesn't move when pulled, it is secure.

DANGER

TO AVOID INJURY OR DEATH, NEVER SIPHON FUEL BY MOUTH.

NEVER STORE CULTIVATOR WITH FUEL IN THE FUEL TANK INSIDE AN ENCLOSED AREA OR BUILDING.

NOTICE

NEVER TWIST AIR FILTERS WHEN CLEANING. ALWAYS PRESS.

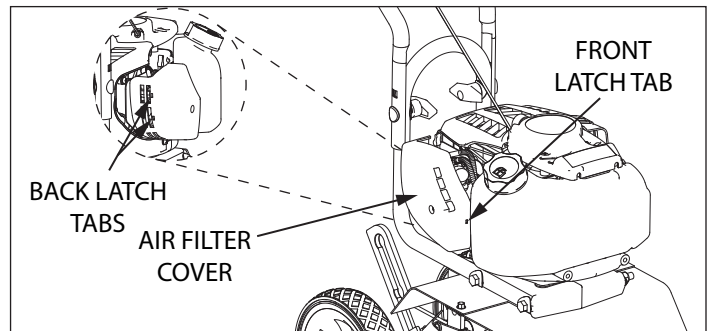


FIGURE 10

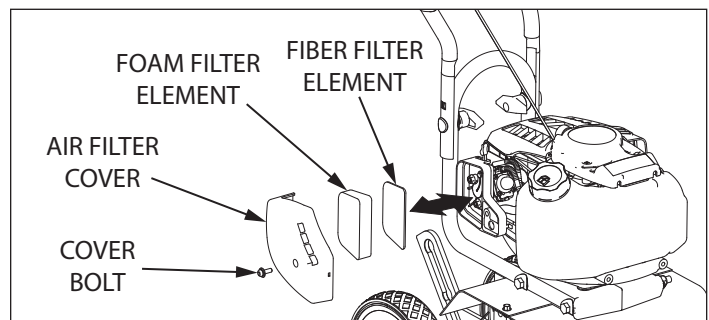


FIGURE 11

TRANSPORTING YOUR CULTIVATOR

1. After using the cultivator, and before transporting it in a truck bed, check that the gas cap is screwed on (clockwise) tightly. The gas cap will not leak during transporting if gas cap is tight. Never transport engine inside an enclosed space within a vehicle. Fuel or fuel vapors may ignite causing serious injury or death.
2. If fuel is present in the fuel tank, transport in an open vehicle in an upright position.
3. If an enclosed vehicle must be used, remove the fuel into an approved red fuel container. **DO NOT** siphon by mouth.
4. Wipe away any spilled fuel from engine and cultivator. Allow to dry.
5. Run the engine to use up the fuel in the carburetor and fuel

tank. Always run engine in a well ventilated area.

6. Fuel cap should be screwed down tightly before transporting your cultivator in a vehicle.

LONG-TERM STORAGE

If your cultivator will not be used for more than one month, prepare it for long-term storage.

Steps for Long-Term Storage

1. Mix an appropriate amount of fuel stabilizer to fresh gasoline, in the ratio recommended on the stabilizer packaging. Run the engine for five minutes to distribute the stabilizer mixture throughout the fuel system. This will prevent gum, varnish and corrosion build up in your fuel system during long-term storage for up to 12 months.
2. Remove all debris from cultivator tines and engine.
3. Store cultivator by placing it on a level surface, resting on the fuel tank and tine shield. **SEE FIGURE 12**

TROUBLESHOOTING AND REPAIR

At *Earthquake*, we build quality and durability into the design of our products; but no amount of careful design by us, and careful maintenance by you, can guarantee a repair-free life for your *Earthquake* cultivator. Most repairs will be minor, and easily fixed by following the suggestions in the troubleshooting guide in this section.

The guide will help you pinpoint the causes of common problems and identify remedies.

For more complicated repairs, you may want to rely on your retailer, an authorized service center or *Earthquake*. *Earthquake* will make the necessary repairs if a service center is not available. A parts breakdown is located toward the end of this manual.

We will always be glad to answer any questions you have, or help you find suitable assistance. To order parts or inquire about warranty, call or e-mail us using the contact information found in this section.

ORDERING REPLACEMENT PARTS

Parts can be obtained from the store where the cultivator was purchased or direct from the factory. To order parts visit www.getearthquake.com or call 1-800-345-6007.

For other general questions, you can e-mail us at info@getearthquake.com.

Please include the following information with your order:

- 1) Part numbers
- 2) Part description
- 3) Quantity
- 4) Model number and serial number

SPARE PARTS

Only use approved *Earthquake* service parts.

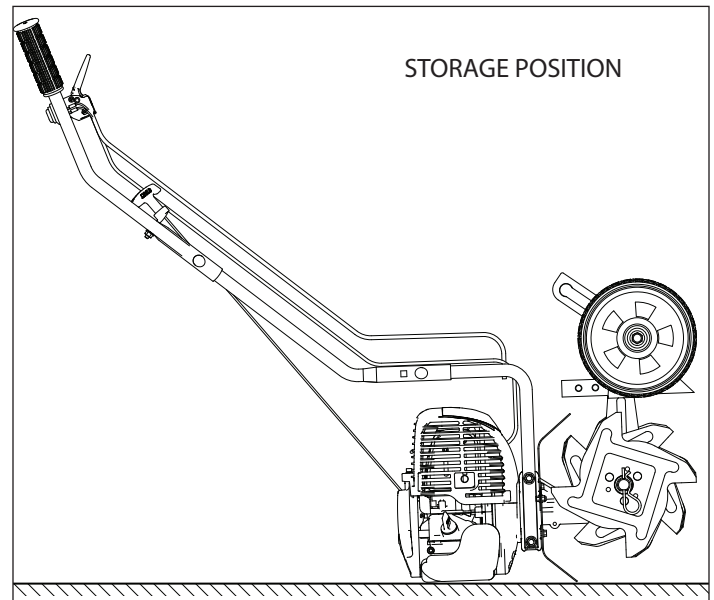
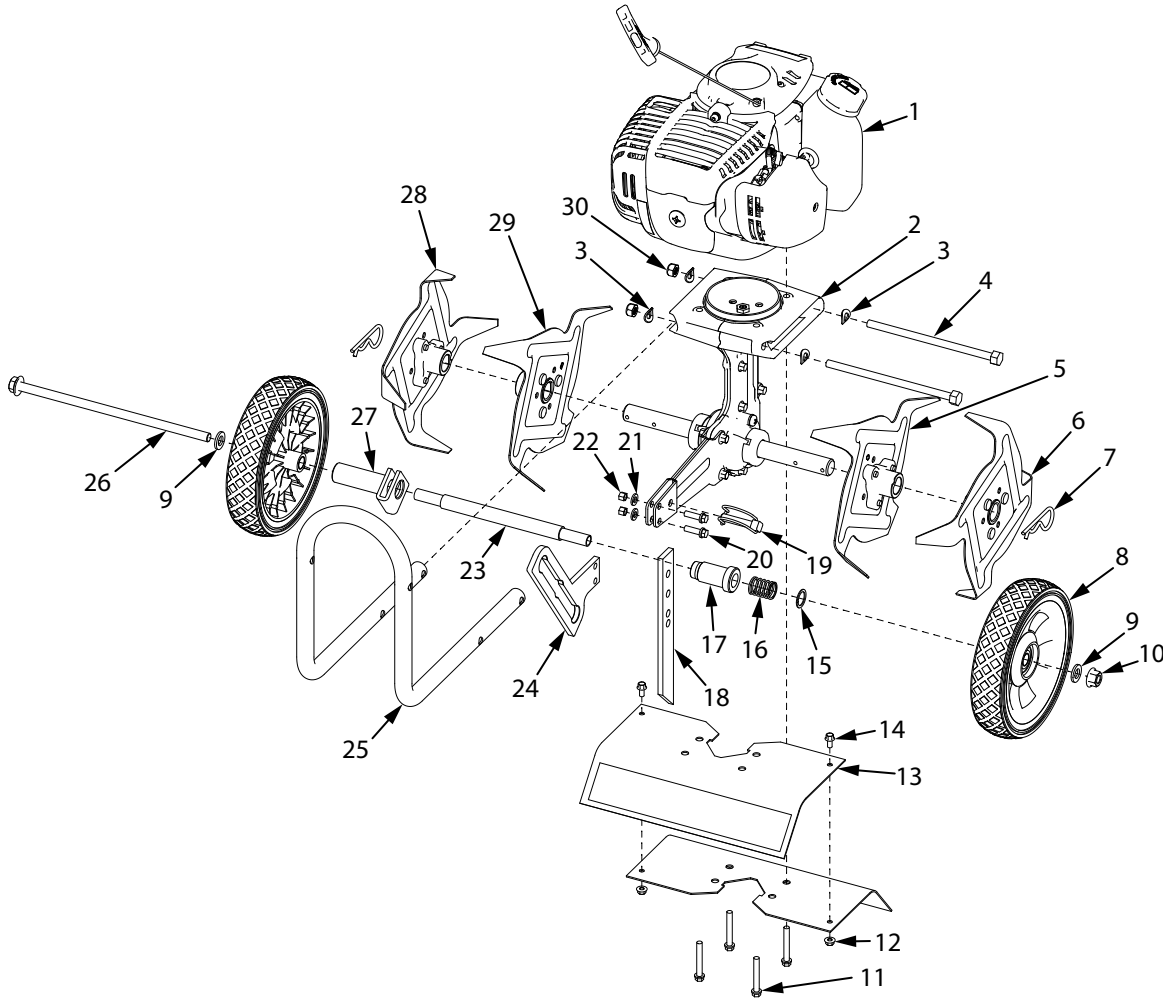


FIGURE 12

TROUBLESHOOTING GUIDE

PROBLEM	POSSIBLE CAUSE	REMEDY/ACTION
Engine will not start	1. Ignition switch in off position	1. Flip switch to ON position
	2. Spark plug wire disconnected	2. Connect spark plug wire to spark plug
	3. Out of fuel	3. Refuel
	4. Spark plug wet, faulty or improperly gapped	4. Clean, replace or gap spark plug
	5. Fuel line hose not positioned in bottom of fuel tank	5. Push fuel line down into fuel in fuel tank
Engine runs rough, floods during operation	1. Dirty air filter	1. Clean or replace air filter
	2. Choke partially engaged	2. Turn off choke
	3. Carburetor out of adjustment	3. Call customer service
Engine is hard to start	1. Stale fuel	1. Drain old fuel and replace with fresh. Use fuel stabilizer at end of season
	2. Spark plug wire loose	2. Make sure spark wire is securely attached to spark plug
	3. Dirty carburetor	3. Clean carburetor, use fuel stabilizer, new gas can
Engine misses or lacks power	1. Clogged fuel tank	1. Remove and clean fuel tank
	2. Clogged air filter	2. Clean or replace air filter
	3. Carburetor out of adjustment or bad	3. Call customer service
	4. Spark plug wet, faulty or improperly gapped	4. Clean, replace or gap spark plug
Engine runs, then quits	1. Gas cap not venting	1. Clean or replace gas cap, check vent
	2. Plugged fuel filter	2. Clean or replace fuel filter
	3. Carburetor out of adjustment or bad	3. Call customer service
Engine revs too high	1. Carburetor out of adjustment	1. Call customer service
Tines turn at idle	1. Idle speed too high	1. Adjust idle speed lower
	2. Broken clutch spring	2. Replace clutch
Recoil hard to pull	1. Oil in combustion chamber	1. Remove spark plug and dry out chamber

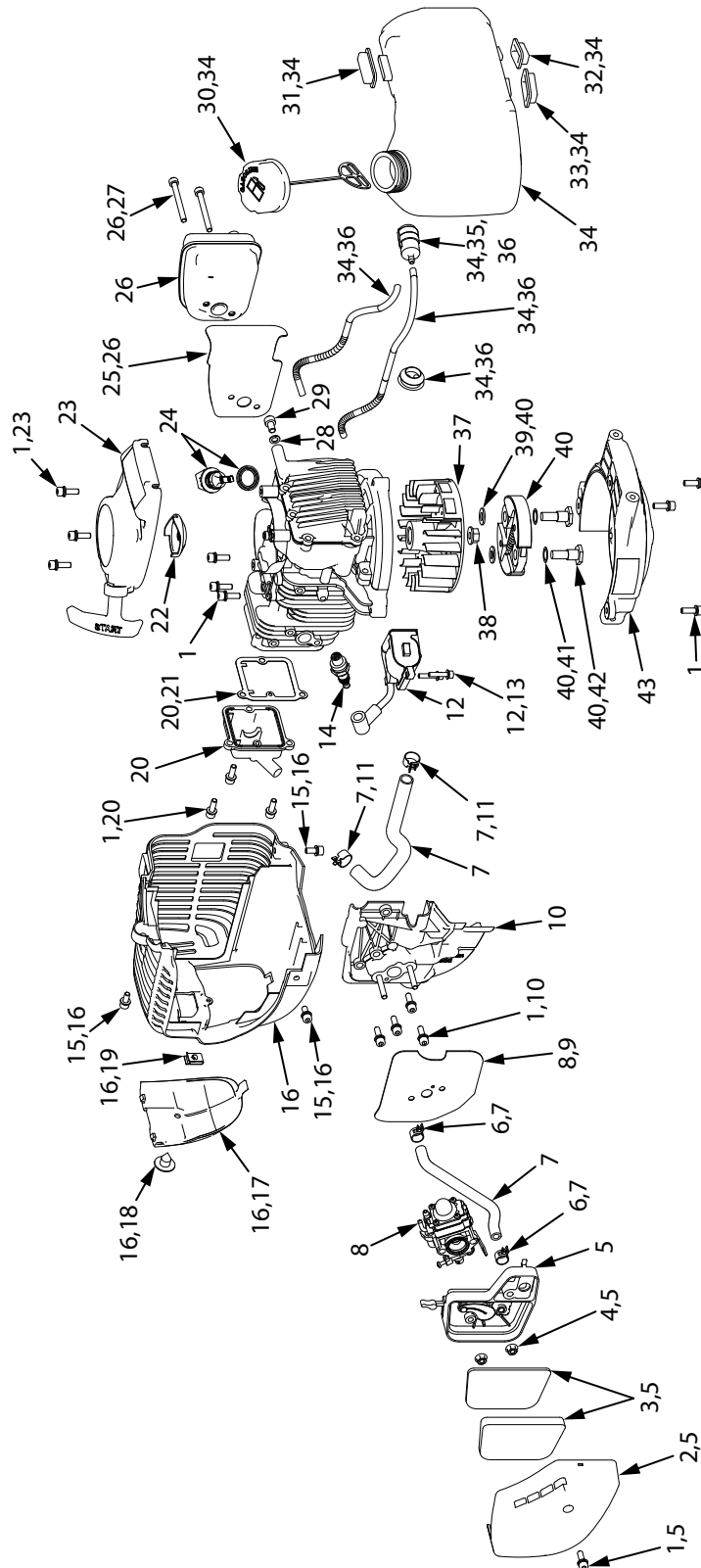
ILLUSTRATED PARTS BREAKDOWN - Hood & Tines Parts Explosion & Parts List



KEY	PART #	DESCRIPTION	QTY.
1	23491	ENGINE 40CC 4-CYCLE	1
2	26013	TRANSMISSION ASSEMBLY	1
3	4641	CURVED WASHER M8	4
4	46141	BOLT M8 X 1.25 X 160 MM	2
5	4602	TINE C ASSEMBLY	1
6	4604	TINE D ASSEMBLY	1
7	4652	HAIRPIN 5/8 X 3/4 IN	2
8	13189	WHEEL 180 X 38 MM GREY	2
9	2431	WASHER M10 X 20 X 2 MM	2
10	13048	LOCK NUT M10 X 1.5 FLANGE	1
11	4625	BOLT M6 X 1.0 X 42 MM FLANGE	4
12	400020	LOCK NUT M5 X 0.8 MM FLANGE	2
13	23441	TINE SHIELD WITH WARNING	2
14	176	BOLT M5 X 0.8 X 10 MM FLANGE	2
15	13230	WASHER 16 X 21 X 1 MM	1

KEY	PART #	DESCRIPTION	QTY.
16	4685	WHEEL LOCK SPRING	1
17	4684	WHEEL LOCK TUBE	1
18	4600	DRAG STAKE	1
19	18039	LOCK PIN 8 X 40 MM	1
20	46142	BOLT M6 X 1.0 X 20 MM FLANGE	2
21	W1200117	WASHER M6 X 12 X 1 MM	2
22	4650	NUT M6 X 1.0 NYLOCK	2
23	4674	WHEEL AXLE TUBE	1
24	4673	WHEEL HOLDER	1
25	12811	LOWER HANDLEBAR	1
26	4687	BOLT M10 X 1.5 X 225 MM FLANGE	1
27	4678	WHEEL GUIDE TUBE	1
28	4601	TINE A ASSEMBLY	1
29	4603	TINE B ASSEMBLY	1
30	400023	NUT M8 X 1.25 NYLOCK	2

ILLUSTRATED PARTS BREAKDOWN - Engine Parts Explosion

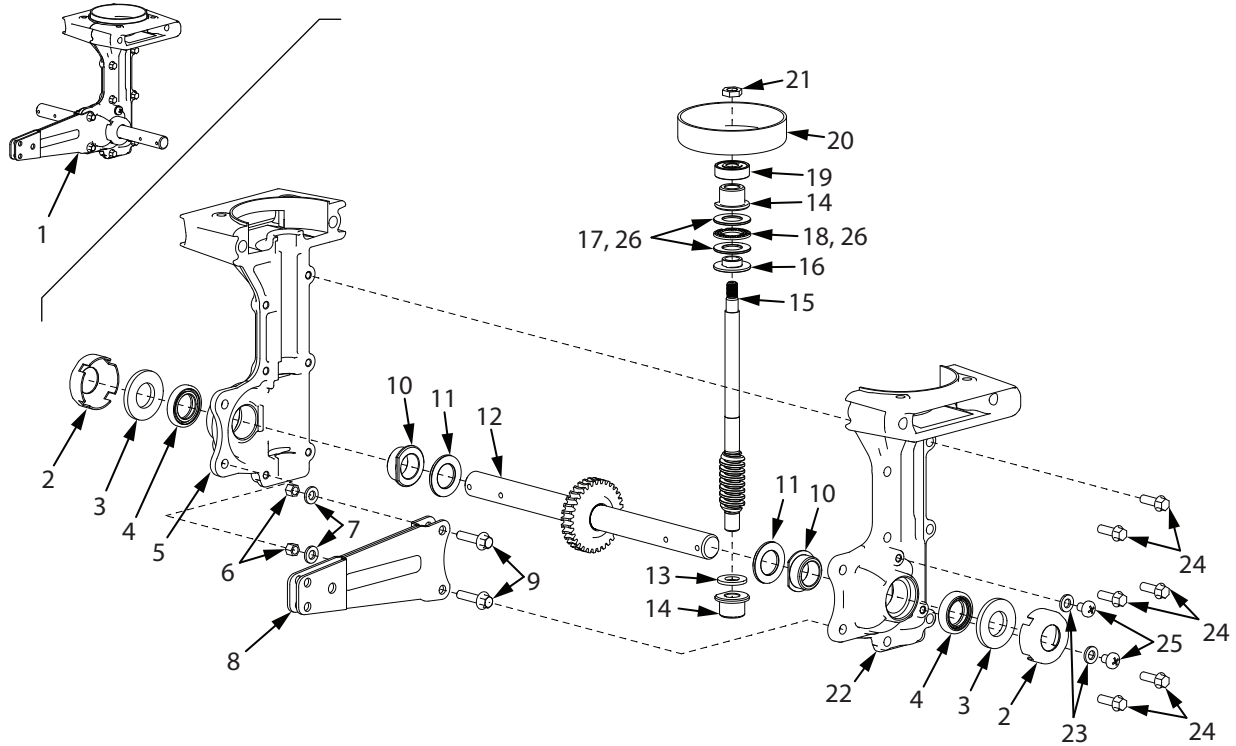


ILLUSTRATED PARTS BREAKDOWN - Engine Parts List

KEY	PART #	DESCRIPTION	QTY.
1	26205	BOLT M5 X 0.8 X 16 MM W/WASHER	17
2	13197	AIR FILTER COVER	1
3	26996	KIT AIR FILTER ELEMENTS	1
4	400020	LOCK NUT M5 X 0.8 MM FLANGE	2
5	13363	AIR FILTER KIT	1
6	23271	HOSE CLAMP CRANKCASE	2
7	13394	BREATHER HOSES KIT	1
8	13329	CARBURETOR KIT	1
9	13299	CARBURETOR GASKET	1
10	13390	CARBURETOR INSULATOR KIT	1
11	13395	HOSE CLAMP VALVE COVER	2
12	13400	IGNITION COIL KIT	1
13	26866	BOLT M4 X 0.7 X 20 MM W/WASHER	2
14	13243	SPARK PLUG NGK CMR6A	1
15	26867	BOLT M5 X 0.8 X 12 MM W/WASHER	3
16	18497	ENGINE SHROUD KIT	1
17	11043	SHROUD CAP SPARK PLUG ACCESS	1
18	11044	SCREW 3/16 X 1/2 IN PHILLIPS	1
19	22631	CLIP NUT 3/16 IN	1
20	13298	VALVE COVER KIT	1
21	13324	GASKET VALVE COVER	1
22	13244	RECOIL CLUTCH	1

KEY	PART #	DESCRIPTION	QTY.
23	13342	RECOIL ASSEMBLY	1
24	13393	OIL CAP WITH O-RING	1
25	13202	HEAT SHIELD MUFFLER	1
26	13391	MUFFLER KIT	1
27	13181	BOLT M5 X 0.8 X 50 MM SOCKET	2
28	13320	WASHER M6 X 10 X 1 MM	1
29	19919	BOLT M6 X 1.0 X 10 SOCKET	1
30	19236	GAS CAP SELF VENTING	1
31	13295	RUBBER GAS TANK HOLDER TOP	1
32	13296	RUBBER GAS TANK HOLDER LEFT	1
33	13297	RUBBER GAS TANK HOLDER RIGHT	1
34	13388	GAS TANK KIT	1
35	17992	FUEL FILTER ALUMINUM CORE	1
36	13308	FUEL LINES KIT	1
37	13241	FLYWHEEL	1
38	300337	LOCK NUT M8 X 1.25 FLANGE	1
39	300462	WASHER 8.4 X 15.8 X 1.6 MM	2
40	11235	CLUTCH KIT	1
41	300449	WAVE WASHER 10 X 15 X 0.25 MM	2
42	300450	BOLT M8 X 1.25 X 25MM SHOULDER	2
43	26868	MOUNT RING AND SHROUD	1

ILLUSTRATED PARTS BREAKDOWN - Transmission Parts Explosion & Parts List

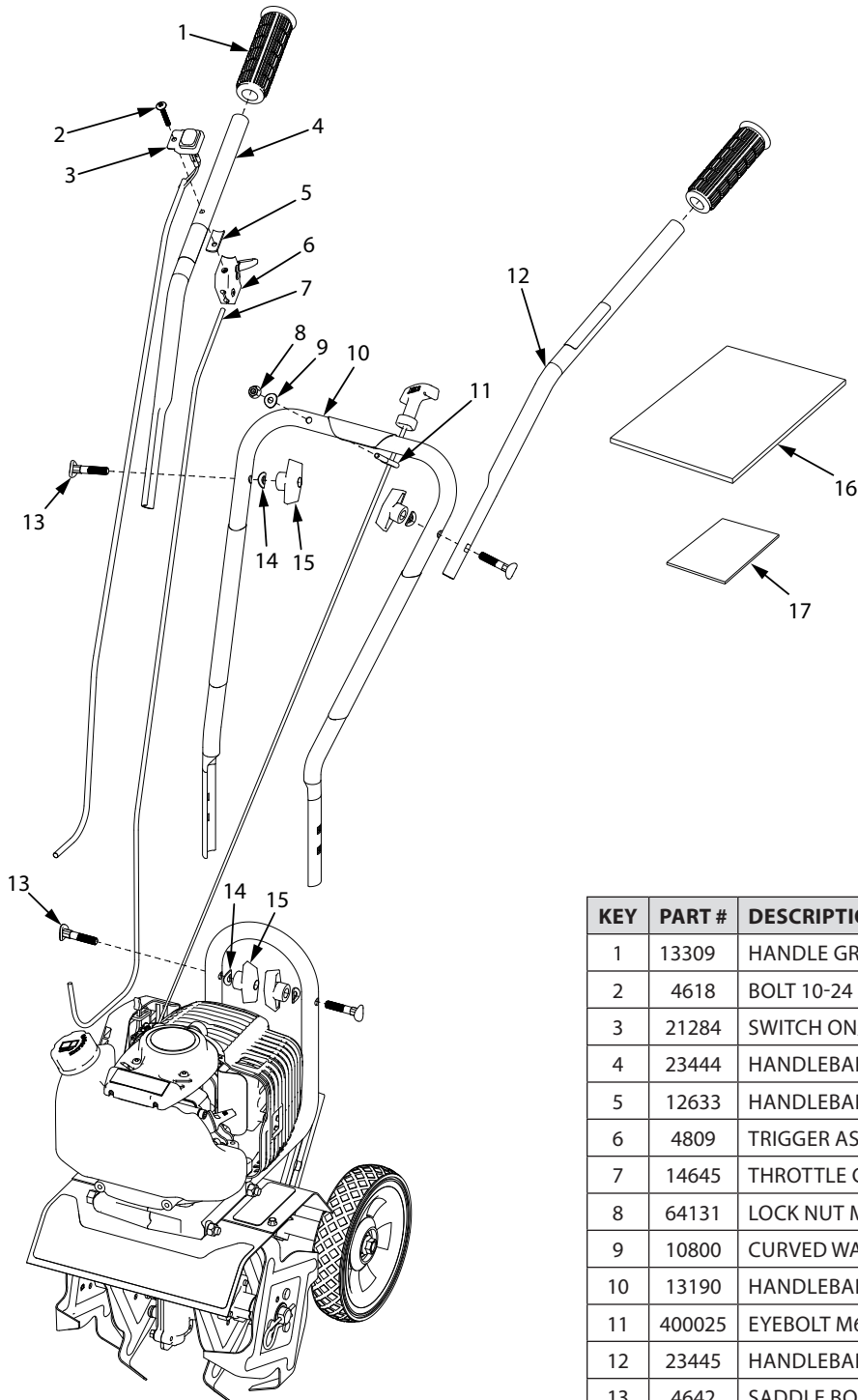


KEY	PART #	DESCRIPTION	QTY.
1	26013	TRANSMISSION ASSEMBLY	1
2	46144	DUST CAP	2
3	4606	FIBER WASHER	2
4	4646	TINE SHAFT SEAL	2
5*	---	TRANSMISSION CASTING LEFT	1
6	4650	NUT M6 NYLOCK	2
7	W1200117	WASHER M6 X 12 X 1 MM	2
8	4633	WHEEL & DRAG STAKE MOUNT	1
9	13600	BOLT M6 X 1.0 X 25 HEX FLANGE	2
10	25159	TINE SHAFT BUSHING STEEL	2
11	4610	TINE SHAFT SHIM	2
12	4651	GEAR AND TINE SHAFT ASSY	1
13	4616	BUSHING SPACER	1

KEY	PART #	DESCRIPTION	QTY.
14	4614	DRIVE SHAFT BUSHING BRONZE	2
15	21953	DRIVE SHAFT	1
16	4617	THRUST BEARING REDUCER	1
17	4618	THRUST WASHER	2
18	4619	THRUST BEARING CAGE	1
19	4623	BALL BEARING 9 X 26 X 8 MM	1
20	300414	CLUTCH DRUM	1
21	4620	JAM NUT M8	1
22*	---	TRANSMISSION CASTING RIGHT	1
23	26997	WASHER M6 X 12 X 1 MM CU	2
24	4647	BOLT M6 X 1.0 X 18 HEX FLANGE	6
25	13447	BOLT M6 X 1.0 X 8 PHILLIPS	2
26	4615	KIT THRUST BEARING SET	1

* PURCHASE TRANSMISSION ASSEMBLY 26013

ILLUSTRATED PARTS BREAKDOWN - Handlebar Parts Explosion & Parts List



KEY	PART #	DESCRIPTION	QTY.
1	13309	HANDLE GRIP TEXTURED	2
2	4618	BOLT 10-24 X 1-1/4 IN PHILLIPS	1
3	21284	SWITCH ON/OFF WIRE ASSEMBLY	1
4	23444	HANDLEBAR UPPER RIGHT W/WARNING	1
5	12633	HANDLEBAR RUBBER PAD 15 X 28.5 MM	1
6	4809	TRIGGER ASSEMBLY SHORT THROW	1
7	14645	THROTTLE CABLE	1
8	64131	LOCK NUT M6 X 1.0 FLANGE	1
9	10800	CURVED WASHER M6	1
10	13190	HANDLEBAR MIDDLE	1
11	400025	EYEBOLT M6 X 1.0 X 12 MM	1
12	23445	HANDLEBAR UPPER LEFT W/WARNING	1
13	4642	SADDLE BOLT M8 X 1.25	4
14	4641	CURVED WASHER M8	4
15	4640	T-HANDLE NUT M8 X 1.25	4
16	23438	MANUAL PARTS BAG	1
17	12621	HARDWARE PARTS BAG	1

15073 BORDER-EDGER KIT INSTALLATION (OPTIONAL ACCESSORY)

The Border-Edger Kit is a useful tool for making clean cuts in the lawn along the borders of gardens, flower beds, walkways, and driveways for a well manicured look. To install the Border-Edger Kit, do the following:

INSTALLATION

1. Make sure the cultivator is not running by turning the ON/OFF switch to the **OFF** position.
2. Remove the hairpins from both sides of the tine shaft.
3. Remove the cultivating tines from the shaft.
4. Remove the drag stake and lock pin from the unit.
5. Store the tines and save the (2) hairpins; they will be used on the Border-Edger Kit.
6. Slide the border-edger tine onto either side of the tine shaft. Make sure that the hub collar of the border-edger tine faces outward, away from the transmission of the cultivator. **SEE FIGURE 13**
7. Take the (2) hairpins saved in *Step 4* and insert them through the inner and outer holes in the tine shaft on each side of the border-edger tine to secure the tine blade in place on the shaft. **SEE FIGURE 13**
8. Slide the border-edger wheel onto the opposite side of the tine shaft as far as it will go.
9. Insert the remaining (1) hairpin, that came with the kit, through the inner hole to secure the wheel. **SEE FIGURE 13**
10. Set the cultivator wheels to the **HIGHEST** (top) position. **SEE FIGURE 5 (PAGE 12)**

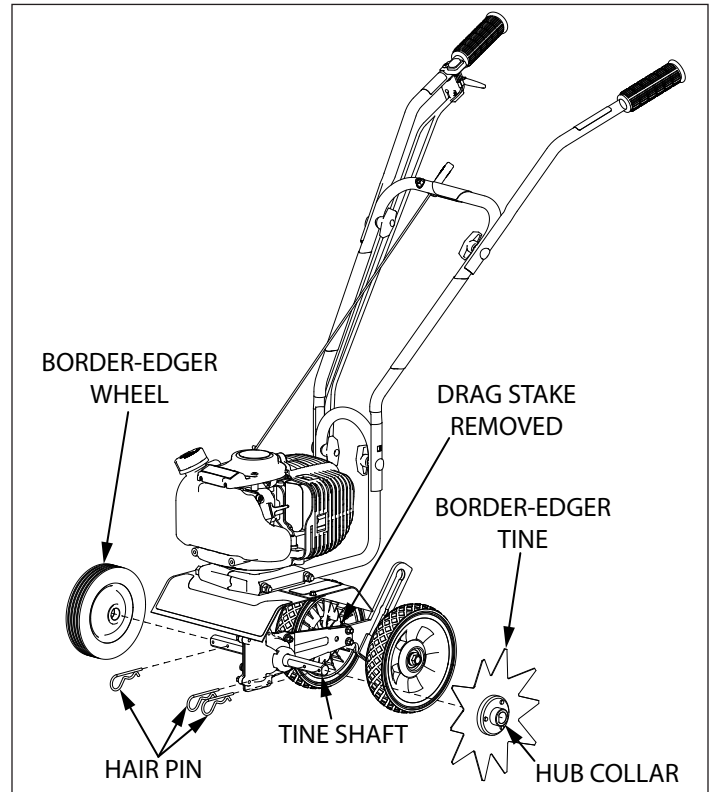


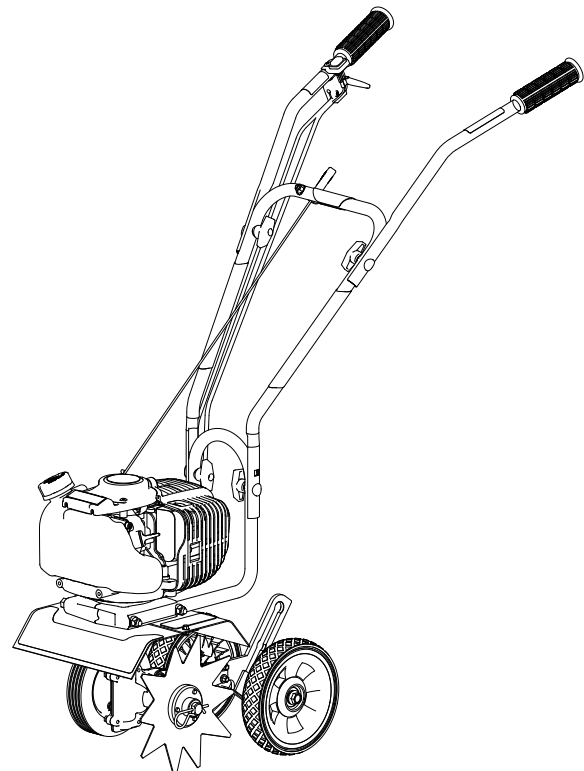
FIGURE 13

PARTS BREAKDOWN

ITEM NO.	PART NO.	DESCRIPTION	QTY.
1	15009	BORDER-EDGER TINE	1
2	46131	BORDER-EDGER WHEEL	1
3	46134	HAIRPIN	1

CAUTION

BE AWARE THAT THE CULTIVATOR COULD UNEXPECTEDLY BOUNCE UPWARD, OR JUMP FORWARD IF THE TINE STRIKES CONCRETE, PAVEMENT, OR OTHER HARD SURFACES OR HARD OBSTACLES BURIED UNDER GROUND.



DK43 DETHATCHER KIT INSTALLATION (OPTIONAL ACCESSORY)

The Dethatcher Kit is very effective for lifting away the excessive matted layers of thatch that can prevent moisture, oxygen and nutrients from penetrating the soil and can harbor disease and insects. Use in Spring, Summer, and Fall to bring life and color back to your lawn.

1. Turn the ON/OFF switch to the **OFF** position. Remove the cultivating tines or other working tools and the drag stake.
2. Unscrew mount bolts/nuts that connect the wheel bracket to the drag stake mount and set wheel bracket aside.
SEE FIGURE 14
3. Slide dethatcher shield over the unit's tine shield from the rear of the unit and secure using bolts and nuts. **SEE FIGURES 14 & 15**
4. Secure the lower part of the dethatcher shield to the drag stake mount using the lock pin. **SEE FIGURE 14 & 15**
5. Install wheel extension plate (4676) using additional bolts (46142) and nuts (4650). Make sure wheel extension is facing the correct direction. (The side, with the two holes flush to the edge, connects to the drag stake mount) **SEE FIGURE 14**
 - a. Attach the wheel extension to the drag stake mount with mount bolts and nuts from unit.
 - b. Attach the wheel bracket to the wheel extension with bolts and nuts included with the Dethatcher Kit.
6. Slide the Left and Right Dethatcher Assemblies onto the tine shaft making sure the Right Assembly is installed on the right side and Left Assembly is installed on the left side as defined from the user's position. **SEE FIGURE 16**
7. Secure dethatcher assemblies using the two hairpins (46134) from the Dethatcher Kit through the inner holes of the tine shaft. **SEE FIGURE 16**

NOTE: The drag stake must NOT be used when using the dethatcher kit.

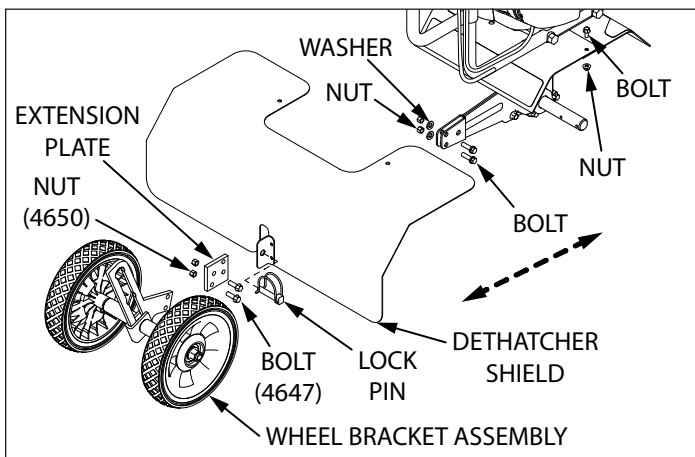


FIGURE 14

ITEM NO.	PART NO.	DESCRIPTION	QTY.
1	46134	HAIR PIN	2
2	4647	BOLT M6 X 1.0 X18 HEX FLANGE	2
3	4650	NUT M6 NYLOCK	2
4	4676	EXTENSION PLATE DETHATCHER	1
5	4707	DETHATCHER ASSEMBLY LEFT	1
6	4708	DETHATCHER ASSEMBLY RIGHT	1
7	4710	DETHATCHER SHIELD	1

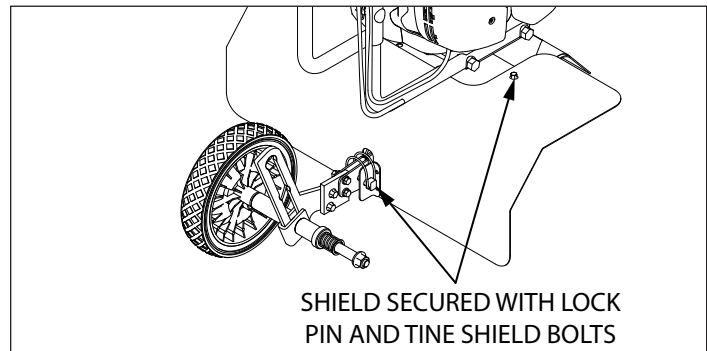


FIGURE 15

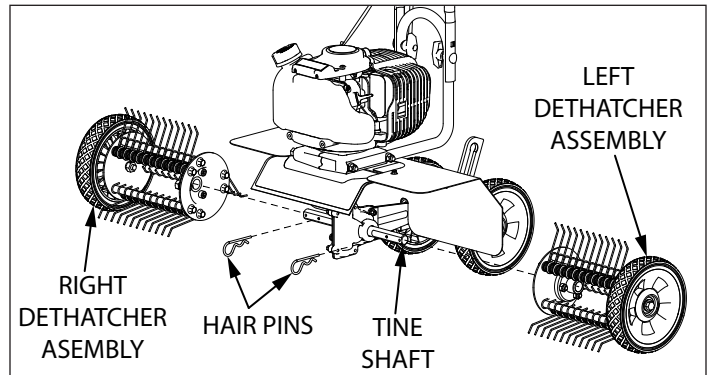
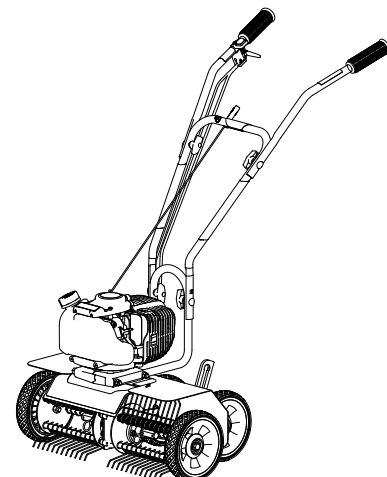


FIGURE 16





WARRANTY TERMS AND CONDITIONS

Ardisam, Inc. (Ardisam) warrants this cultivator under a five-year limited warranty to be free from defects in the material or workmanship or both for a period not exceeding sixty consecutive months from the date of original purchase by the first retail consumer or first commercial end user. This warranty does not apply to the engine mounted on the product. Refer to EPA warranty for engine warranty details. "Consumer use," means personal recreational use by a retail consumer. "Commercial use," or "commercial application" means all other uses, including use for commercial, income producing or rental purposes. Once a product has experienced commercial use, it shall thereafter be considered as a commercial use product for the purpose of this warranty. This warranty applies to the original owner that provides a proof of purchase. This warranty is not transferable. The warranty period begins on the date of purchase by the first retail consumer or commercial end user, and continues for the sixty month consecutive period thereafter. Any unit used in a commercial application is covered for a period of 90 days after purchase by the first commercial end user. For the warranty to be valid, the product must be registered online within 30 days of purchase, or the warranty card must be filled out and received by Ardisam within 30 days of purchase. Ardisam shall not be obligated for transportation charges that result from repair or replacement under the terms of this warranty. Transportation charges are the sole responsibility of the purchaser.

This warranty excludes tines due to normal wear, wear items such as wheels, grips and cables, routine maintenance items such as filter elements, o-rings, seals, lubricants, and tune-ups, rotating parts, accessory parts such as tillage furrowers, edger kits, and dethatcher kits, running the cultivator on straight gasoline or with a fuel:oil ratio other than 50:1. Negligent use such as using the cultivator for a purpose other than for which it was designed and manufactured, continued use of cultivator after sudden change in vibration, using the cultivator in violation of local codes, ordinances and good trade practices voids this warranty. *These warranties apply only to products which have not been subjected to negligent use, abuse, misuse, overload, improper installation, alteration, accident, acts of God (or other events beyond Ardisam's control) lightning, vandalism, unauthorized parts, or if repairs have been performed at a non-authorized service facility. These warranties shall not cover damage from normal wear and tear, normal maintenance parts and services, or improper installation, operation, storage, or maintenance; nor operating the equipment above recommended maximums as stated in this manual and the accompanying engine manual.

This limited warranty applies to defects in the material or workmanship of the product only. There is no other express warranty. Implied warranties, including those of merchantability and fitness for a particular purpose, are limited to one year from purchase, or to the extent permitted by law. All other implied warranties are excluded. Liability for incidental or consequential damages are excluded to the extent exclusion is permitted by law. Ardisam does not assume, and does not authorize any other person to assume for Ardisam, any liability in connection with the sale of Ardisam products. **To be at "No Charge," warranty work must be sent directly to and performed by Ardisam or an Ardisam Authorized Warranty Service Facility.** To obtain warranty service and/or replacement instructions, contact the Ardisam Customer Service Department at 800-345-6007. If you choose to ship your product to Ardisam for warranty repair, you must first have prior approval from Ardisam by calling the Ardisam Customer Service Department for a return material authorization number (RMA#). Under these circumstances, all items must be shipped prepaid. Ardisam will, in its discretion, at no charge, repair or replace any defective part to which this warranty applies. Ardisam retains the right to change models, specifications and price without notice. Ardisam shall not be obligated to ship any repair or replacement product to any location outside of the United States of America or Canada. Some states and countries do not allow the limitations on how long an implied warranty lasts, or the exclusion or limitation of incidental or consequential damages, so the above limitation may not apply to you. This warranty gives you specific legal rights, and you may also have other rights which vary from state to state and country to country.

INTRODUCTION

Nous vous félicitons pour votre investissement dans la qualité. Merci d'avoir acheté une motobineuse 4 temps *Earthquake*®. Nous avons veillé à ce que ce cultivateur respecte les normes les plus élevées en matière d'utilisabilité et de durabilité. Moyennant des soins corrects, elle offrira de nombreuses années de service fiable.

Veillez lire ce manuel en entier avant de l'installer et de l'utiliser. *Earthquake* se réserve le droit de changer, modifier ou améliorer ce produit et cette documentation à tout moment sans préavis.

SOMMAIRE

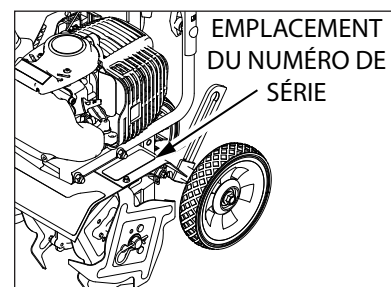
Enregistrement.....	1
Avertissements et mesures de précaution.....	2-6
Caractéristiques/Données techniques	7
Déballage et assemblage	8
Fonctionnement.....	8-11
Entretien et entreposage.....	12-14
Dépannage et réparation.....	14-15
Pièces détachées	16-20
Installation du kit coupe-bordure 15073.....	21
Installation du kit scarificateur DK43	22
Garantie	23

INFORMATIONS FÉDÉRALES RELATIVES AUX ÉMISSIONS

Earthquake garantit à l'acheteur de détail d'origine que ce petit moteur non routier a été conçu, fabriqué et équipé de manière à se conformer, au moment de la vente initiale, aux règlements en vigueur de l'U.S. Environmental Protection Agency (EPA).

ENREGISTREMENT ET SERVICE APRÈS-VENTE

Consigner le numéro de modèle et le numéro de série du moteur dans l'espace prévu pour y accéder facilement lors des commandes de pièces détachées ou demandes d'assistance technique. À l'exception des articles couverts par la garantie sur le contrôle des émissions, la garantie est valable uniquement si l'enregistrement dûment rempli est reçu par Ardisam dans les 30 jours après l'achat. **(POUR PLUS DE RENSEIGNEMENTS, VOIR LA SECTION SUR LA GARANTIE.)** L'enregistrement de la garantie peut se faire en ligne à www.getearthquake.com ou par courrier à : Ardisam, 1160 Eighth Avenue, Cumberland, WI 54829, États-Unis. En l'absence d'ordinateur, appeler notre service après-vente au (800) 345-6007 du lundi au vendredi de 8h00 à 17h00 HNC.



RENSEIGNEMENTS SUR LE PROPRIÉTAIRE		
Nom du propriétaire :		
Adresse du propriétaire :		
Ville :	État/Province :	Code postal :
Numéro de modèle :	Numéro de série :	
Date d'achat :		
Notes :		

Le présent manuel peut contenir des informations concernant plusieurs modèles. Lire ce manuel et le conserver pour toute consultation ultérieure. Ce manuel contient des renseignements importants sur la SÉCURITÉ, l'ASSEMBLAGE, l'UTILISATION et l'ENTRETIEN. Le propriétaire doit veiller à ce que toute la documentation pertinente accompagne le produit. Cette documentation comprend le MANUEL, la NOMENCLATURE DES PIÈCES et les GARANTIES. Cette documentation doit être incluse pour assurer le respect des réglementations en vigueur. Ce manuel doit rester avec le produit même s'il est revendu.v

AVERTISSEMENTS ET MESURES DE PRÉCAUTION

RESPONSABILITÉ DU PROPRIÉTAIRE

L'assemblage correct et l'utilisation sûre et efficace de la machine relèvent de la responsabilité du propriétaire.

- Lire et suivre toutes les instructions de sécurité.
- Suivre avec attention toutes les instructions d'assemblage.
- Entretenir la machine conformément aux instructions et au calendrier figurant dans le manuel de l'utilisateur *Earthquake*.
- S'assurer que quiconque utilise la machine est familiarisé avec toutes les commandes et mesures de précaution.

MESSAGES SPÉCIAUX

Ce manuel contient des messages spéciaux attirant l'attention sur des problèmes de sécurité et dommages potentiels à la machine, ainsi que des informations utiles sur le fonctionnement et l'entretien. Veiller à lire toutes ces informations avec attention pour éviter les blessures et les dommages à la machine.

REMARQUE : Des informations générales sont fournies à travers ce manuel pouvant aider l'opérateur dans l'utilisation ou l'entretien de la machine.



Ce symbole signale des instructions de sécurité importantes qui doivent être respectées pour ne pas mettre en danger la sécurité des personnes. Lire et respecter toutes les instructions du manuel avant de tenter de faire fonctionner cet appareil.

AVANT DE FAIRE FONCTIONNER LE MOTEUR :

Veiller à lire cette section avec attention. Lire l'ensemble des instructions d'utilisation et d'entretien de ce produit. Pour écarter les risques de blessure grave ou de mort, veiller à respecter toutes les instructions. Utiliser la machine conformément aux instructions de sécurité fournies ici et tout au long du manuel. Quiconque utilise cette machine doit lire les instructions et être familiarisé avec les commandes.

Emploi prévu / emploi détourné prévisible

IMPORTANT : Ceci est une motobineuse rotative motorisée qui travaille le sol au moyen de fraises en rotation. Elle se conduit à pied mais n'est pas autotractée et comporte un moteur à combustion interne à essence qui entraîne les fraises. Elle ne doit être utilisée à aucune autre fin.



AVIS

AVIS INDIQUE QUE VOTRE ÉQUIPEMENT PEUT ÊTRE ENDOMMAGÉ SI LES INSTRUCTIONS DE SÉCURITÉ QUI SUIVENT CE MOT DU SIGNAL NE SONT PAS OBLIGÉES.



ATTENTION

ATTENTION INDIQUE UN RISQUE QUI, SI NON ÉVITÉ, PEUT ENTRAÎNER DES BLESSURES ET / OU DES DOMMAGES MATÉRIELS.



AVERTISSEMENT

AVERTISSEMENT INDIQUE UN RISQUE QUI, SI NON ÉVITÉ, PEUT ENTRAÎNER LA MORT OU DES BLESSURES GRAVES ET / OU DES DOMMAGES MATÉRIELS.



DANGER

UN DANGER INDIQUE UN RISQUE QUI, SI NON ÉVITÉ, PEUT ENTRAÎNER DES BLESSURES GRAVES OU DES BLESSURES GRAVES ET / OU DES DOMMAGES MATÉRIELS.

IMPORTANT

IMPORTANT INDIQUE LES RENSEIGNEMENTS UTILES POUR L'ASSEMBLAGE, L'UTILISATION OU L'ENTRETIEN DE VOTRE APPAREIL.



AVERTISSEMENT

AVERTISSEMENT PROPOSITION 65 DE CALIFORNIE

L'ÉCHAPPEMENT DU MOTEUR DE CE PRODUIT CONTIENT DES SUBSTANCES CHIMIQUES DÉCLARÉES RESPONSABLES DE CANCER, MALFORMATIONS CONGÉNITALES OU AUTRES ANOMALIES DE LA REPRODUCTION PAR L'ÉTAT DE CALIFORNIE.



AVERTISSEMENT

VEILLER À LIRE, À COMPRENDRE ET À RESPECTER TOUTES LES INSTRUCTIONS DE SÉCURITÉ ET D'UTILISATION FIGURANT DANS CE MANUEL AVANT DE TENTER D'INSTALLER ET DE FAIRE FONCTIONNER LA MACHINE.

TOUT MANQUEMENT À OBSERVER LES INSTRUCTIONS DE SÉCURITÉ ET D'UTILISATION PEUT PROVOQUER DES BLESSURES CORPORELLES GRAVES POUR L'UTILISATEUR ET D'AUTRES PERSONNES PRÉSENTES ET DES DÉGÂTS MATÉRIELS. LE TRIANGLE DANS LE TEXTE SIGNIFIE QUE DES MISES EN GARDES ET AVERTISSEMENTS IMPORTANTS DOIVENT ÊTRE SUIVIS.

CONSIGNES GÉNÉRALES DE SÉCURITÉ

Lire, comprendre et respecter toutes les instructions figurant sur la machine et dans le(s) manuel(s). Veiller à bien se familiariser avec les commandes et la bonne utilisation de la machine avant de la démarrer.

- Utiliser ce matériel exclusivement aux fins prévues.
- Veiller à se familiariser avec tous les autocollants de sécurité et d'exploitation apposés sur ce matériel et sur tous ses outils ou accessoires.
- Ne pas placer les mains ni les pieds sous ou à proximité d'une pièce en rotation.
- Permettre l'utilisation de la machine uniquement à des personnes responsables familiarisées avec les instructions. Ne pas laisser d'enfant utiliser cette machine. Ne pas laisser d'adulte utiliser cette machine sans instruction appropriée.
- Examiner avec soin la zone où la machine doit être utilisée et éliminer tous les objets étrangers. Ce matériel peut projeter violemment de petits objets et provoquer des dégâts matériels ou des blessures graves. Rester à l'écart des objets fragiles tels que les fenêtres de maison, automobiles, serres, etc.
- Porter une tenue adaptée, notamment un blouson ou une chemise à manches longues. Porter également un pantalon long. Ne pas porter de pantalon court. Ne jamais porter de sandales, chaussures de sport ni chaussures ouvertes et ne jamais utiliser la machine pieds nus.
- Ne pas porter de vêtements flottants ni de bijoux. Ils peuvent être happés par les pièces en mouvement. Toujours tenir les mains, les pieds, les cheveux et les vêtements amples à l'écart de toute pièce en mouvement du moteur et de la machine.
- Toujours porter des lunettes à coques ou des lunettes de sécurité à écrans latéraux durant la marche de la machine pour protéger les yeux des objets étrangers susceptibles d'être projetés par la machine. Toujours porter une protection auditive.
- Toujours porter des gants de travail et des chaussures robustes. Porter des chaussures offrant une bonne adhérence sur les surfaces glissantes. Les chaussures de chantier ou bottines en cuir conviennent généralement bien. Elles protègent les chevilles et les tibias de l'opérateur contre les petits bouts de bois, écharde et autres débris.
- Il est conseillé de porter une protection de la tête contre les projections de terre et petits cailloux et pour éviter de heurter les branches basses et autres objets auxquels l'opérateur n'aurait pas prêté attention.
- Ne pas utiliser la machine si tous les carters de protection et autres dispositifs de sécurité ne sont pas en place.
- Voir les instructions du fabricant concernant l'utilisation et la pose d'accessoires. Utiliser exclusivement des accessoires homologués par le fabricant.
- Travailler uniquement durant la journée ou sous une bonne lumière artificielle.
- Ne pas utiliser ce produit alors qu'on est fatigué ou sous l'emprise de l'alcool, de drogues ou de médicaments susceptibles de provoquer une somnolence ou d'altérer la capacité à utiliser la machine en toute sécurité.

- Ne jamais utiliser la machine dans de l'herbe mouillée. Veiller à toujours avoir le pied ferme; tenir fermement la poignée et marcher avec la machine; ne jamais courir.
- Prendre garde à la circulation lors de l'utilisation de la motobineuse à proximité d'une chaussée ou en traversant une rue.
- Si le matériel commence à vibrer de façon anormale, arrêter le moteur, mettre l'interrupteur Marche/Arrêt en position **Arrêt**. Rechercher immédiatement la cause. Les vibrations signalent généralement un problème. Si le bruit ou les vibrations de la machine augmentent, arrêter immédiatement et contrôler la machine.
- Ne jamais laisser la machine sans surveillance avec le moteur en marche. Mettre l'interrupteur Marche/Arrêt en position **Arrêt**.
- Contrôler régulièrement la machine. Vérifier qu'aucune pièce n'est déformée, endommagée ni desserrée.
- La température du silencieux et des surfaces voisines peut dépasser 65 °C (150 °F). Laisser le silencieux et les surfaces du moteur refroidir avant de les toucher. Ne jamais soulever ni porter la machine avec le moteur en marche.
- L'exposition prolongée au bruit et aux vibrations produites par du matériel à moteur à essence doit être évitée. Faire des pauses intermittentes et/ou porter une protection auditive contre le bruit du moteur, ainsi que des gants de travail épais pour réduire les vibrations dans les mains.
- Maintenir tous les boulons, vis et écrous bien serrés.
- Ne pas transporter la machine d'un endroit à l'autre avec le moteur en marche.
- Si la machine est emballée, toujours la déplacer avec l'aide d'une autre personne.
- Consulter la réglementation en vigueur concernant les restrictions d'âge pour l'utilisation de cette machine.

CONSIGNES DE SÉCURITÉ PROPRES AU PRODUIT

- Ne pas biner au-dessus de canalisations souterraines, notamment conduites d'eaux, conduites de gaz, câbles électriques ou autres tuyaux. Ne pas utiliser la machine dans un sol contenant de grosses roches et autres objets étrangers susceptibles d'endommager le matériel.
- Après avoir heurté un objet étranger, couper le moteur. Mettre l'interrupteur Marche/Arrêt en position **Arrêt**. Contrôler l'état de la machine. En cas de dommages, réparer avant de démarrer et d'utiliser la machine.
- Les fraises de la motobineuse ne doivent pas tourner lorsque le moteur est au ralenti. Si elles tournent avec le moteur au ralenti, obtenir des instructions auprès du service après-vente *Earthquake*.
- Si un objet s'est logé dans les fraises, mettre l'interrupteur Marche/Arrêt en position **Arrêt** et laisser refroidir avant de tenter de déloger l'objet étranger.
- L'embrayage transfère un maximum de couple au bout de deux heures de marche normale. Durant cette phase de rodage, il est possible que l'embrayage patine. Pour fonctionner correctement, l'embrayage doit être gardé à l'abri d'huile ou autre forme d'humidité.

! DANGER

LES MOTEURS DÉGAGENT DU MONOXYDE DE CARBONE, UN GAZ TOXIQUE INODORE ET INCOLORE. DU MONOXYDE DE CARBONE PEUT ÊTRE PRÉSENT MÊME SI ON NE PEUT NI SENTIR NI VOIR DE GAZ D'ÉCHAPPEMENT DU MOTEUR. L'INHALATION DE MONOXYDE DE CARBONE PEUT PROVOQUER LA NAUSÉE, LA PERTE DE CONSCIENCE, VOIRE LA MORT, EN PLUS D'UN ÉTAT DE SOMNOLENCE, D'ÉTOURDISSEMENT ET DE CONFUSION.

EN PRÉSENCE DE L'UN QUELCONQUE DE CES SYMPTÔMES, SORTIR À L'AIR FRAIS ET OBTENIR IMMÉDIATEMENT DES SOINS MÉDICAUX.

MESURES DE PRÉCAUTIONS CONCERNANT LE MOTEUR

Si le produit est fourni avec manuel séparé pour le moteur, veiller à bien le lire et à suivre toutes les mises en garde et mesures de précaution qu'il contient, en plus de celles de ce manuel.

Empêcher l'intoxication au monoxyde de carbone

- Toujours démarrer et faire tourner le moteur à l'extérieur. Ne pas démarrer ni faire tourner le moteur dans un espace fermé, même avec des portes ou des fenêtres ouvertes.
- Ne jamais essayer de ventiler l'échappement du moteur à l'intérieur. Le monoxyde de carbone peut atteindre des niveaux dangereux très rapidement.
- Ne jamais faire fonctionner le moteur à l'extérieur à un endroit où les fumées d'échappement peuvent être aspirées dans un bâtiment.
- Ne jamais faire fonctionner le moteur à l'extérieur dans un endroit mal aéré où les fumées d'échappement peuvent être piégées et difficiles à dissiper (exemples : fond de fouille ou aires de travail entourées de collines).
- Ne jamais faire tourner le moteur dans un endroit fermé ou partiellement fermé (exemples : bâtiments fermés sur un ou plusieurs côtés, tente, abri à voiture ou sous-sol).
- Toujours faire fonctionner le moteur avec l'échappement et le silencieux pointés dans la direction opposée à l'opérateur.
- Ne jamais pointer le silencieux d'échappement vers quiconque. Les personnes présentes doivent toujours se tenir à bonne distance de la machine et de ses outils en marche.
- Ne pas modifier les réglages du régulateur de moteur et ni faire tourner le moteur en surrégime.

Feux d'essence et manipulation du carburant

Faire preuve de beaucoup de prudence pour manipuler l'essence et autres carburants. Ils sont inflammables et leurs vapeurs sont explosives.

- Veiller à bien entreposer le carburant de réserve dans un bidon approprié et à l'écart de tout risque d'incendie.
- Empêcher les incendies et explosions causés par une

! ATTENTION

LES GAZ CHAUDS SONT UN SOUS-PRODUIT NORMAL DE LA MARCHÉ D'UN MOTEUR À COMBUSTION INTERNE. SUIVRE TOUTES LES INSTRUCTIONS DE SÉCURITÉ POUR ÉVITER LES BRÛLURES ET LES INCENDIES.

! AVERTISSEMENT

NE JAMAIS ALTÉRER NI MODIFIER LE MOTEUR TEL QU'IL EST LIVRÉ DE L'USINE. LA MODIFICATION OU L'ALTÉRATION DU MOTEUR PEUT ENTRAÎNER DES BLESSURES GRAVES OU LA MORT.

AVANT DE TRAVAILLER SUR LE MOTEUR OU LA MACHINE OU DE CHANGER DES PIÈCES, VEILLER À TOUJOURS METTRE L'INTERRUPTEUR MARCHÉ/ARRÊT EN POSITION ARRÊT.

décharge d'électricité statique. Utiliser exclusivement des bidons à carburant portables non métalliques homologués par Underwriter's Laboratory (U.L.) ou par l'American Society for Testing & Materials (ASTM).

- Toujours faire le plein du réservoir d'essence à l'extérieur, dans un endroit bien aéré. Ne jamais remplir le réservoir à l'intérieur (exemples : sous-sol, garage, grange, remise, maison, véranda, etc.). Ne jamais remplir le réservoir près d'appareils à veilleuse, réchauffeurs et autres sources d'inflammation. Si le réservoir doit être vidangé, le faire à l'extérieur. Le carburant vidangé doit être conservé dans un bidon spécifiquement conçu pour le carburant ou il doit être éliminé avec précaution.
- Ne jamais ouvrir le bouchon du réservoir ni ajouter du carburant avec le moteur en marche. Couper le moteur et le laisser refroidir avant de refaire le plein.
- Ne jamais vidanger le carburant du moteur dans un endroit fermé.
- Toujours essuyer l'excédent (débordement) de carburant de la surface du moteur avant de démarrer. Nettoyer immédiatement tout carburant déversé par accident. En cas de déversement accidentel, ne pas démarrer le moteur mais éloigner la machine et le bidon de carburant. Nettoyer le carburant déversé et le laisser s'évaporer et sécher après avoir essuyé et avant de démarrer.
- Laisser les vapeurs de carburant s'échapper de la zone avant de démarrer le moteur.
- Vérifier que le bouchon du réservoir est correctement en place avant de démarrer le moteur.
- Toujours faire fonctionner le moteur avec le bouchon de réservoir correctement fermé.
- Ne jamais fumer durant le remplissage du réservoir de carburant.
- Ne pas entreposer le moteur à l'intérieur avec du carburant dans le réservoir. Le carburant et ses vapeurs sont très

explosifs.

- Ne jamais verser de carburant directement depuis le réservoir du moteur.
- Ne jamais siphonner le carburant par la bouche pour vidanger le réservoir.
- Toujours faire remplir le réservoir de carburant par un adulte, jamais par un enfant.
- Ne jamais laisser une personne sous l'emprise de l'alcool ou de drogues faire le plein du moteur.
- Entreposer l'essence ou une machine avec du carburant dans le réservoir à l'écart de chaudières, poêles, chauffe-eau et autres appareils électroménagers comportant une veilleuse ou autre source d'inflammation susceptible d'enflammer les vapeurs d'essence.

BRÛLURES ET FEUX

Le silencieux, le protège-silencieux et d'autres pièces du moteur deviennent extrêmement chaudes durant la marche du moteur. Ces pièces restent très chaudes après l'arrêt du moteur.

Prévention des brûlures et des feux

- Ne jamais démonter le protège-silencieux du moteur.
- Ne jamais toucher le protège-silencieux parce qu'il est extrêmement chaud et provoquerait des blessures graves.
- Ne jamais toucher des pièces du moteur qui deviennent chaudes après la marche.
- Toujours tenir tous matériaux et débris à l'écart du protège-silencieux et autres pièces chaudes du moteur pour écarter les risques de feu.

ENFANTS ET AUTRES PERSONNES PRÉSENTES

Il peut se produire des accidents tragiques si l'opérateur n'est pas conscient de la présence d'enfants et/ou autres personnes. Ne jamais supposer que les autres personnes resteront toujours au même endroit.

- Éloigner tout le monde de la zone de travail, en particulier les jeunes enfants et les animaux. Confier la surveillance des enfants à un adulte responsable.
- Rester alerte et couper la machine si des enfants entrent dans la zone de travail.
- Avant et durant les déplacements à reculons, regarder derrière soi et vers le bas.
- Ne jamais laisser d'enfant utiliser la machine.
- Faire preuve de beaucoup de prudence à l'approche de virages sans visibilité, de buissons, d'arbres et autres obstacles à la visibilité.

ENTRETIEN

- Toujours couper le moteur avant de s'éloigner de la machine,

de la nettoyer, la réparer ou la contrôler. Le moteur doit être à l'arrêt et froid. Ne jamais effectuer de réglage ou de réparation avec le moteur en marche. Mettre l'interrupteur Marche/Arrêt en position **Arrêt** pour éviter les démarrages accidentels.

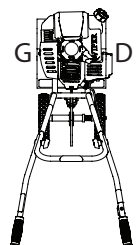
- Toujours porter une protection oculaire pour effectuer des réglages ou des réparations.
- Maintenir tous les écrous et boulons bien serrés et le matériel en bon état.
- Ne jamais modifier des dispositifs de sécurité. Contrôler régulièrement leur bon fonctionnement.
- Lors de l'entretien ou des réparations, ne pas basculer ni retourner la machine sauf sur instruction spécifique dans ce manuel. Les procédures d'entretien et de réparation peuvent se faire avec la machine en position verticale. Certaines procédures sont plus faciles à effectuer si la machine est sur une plateforme surélevée ou un plan de travail.
- Pour réduire le risque d'incendie, éviter toute accumulation d'herbes, de feuilles et autres débris sur la machine. Nettoyer les déversements d'huile ou de carburant. Laisser la machine refroidir avant de la ranger.
- Couper le moteur et contrôler le matériel après avoir heurté un objet. Effectuer les réparations nécessaires avant de redémarrer.
- Nettoyer et remplacer les autocollants de sécurité et d'instruction comme il se doit.
- Contrôler la machine avant de l'entreposer. Lorsqu'elle n'est pas utilisée, mettre l'interrupteur Marche/Arrêt en position **Arrêt** et entreposer la machine à l'intérieur dans un endroit sec verrouillé ou normalement inaccessible aux enfants.
- Utiliser exclusivement des pièces d'origine *Earthquake* d'origine, y compris tous les écrous et boulons.

AVIS

LES CÔTÉS DROIT ET GAUCHE DE LA MOTOBINEUSE SONT DÉFINIS À PARTIR DE LA POSITION DE CONDUITE ALORS QU'ON FAIT FACE À LA DIRECTION DE DÉPLACEMENT VERS L'AVANT.

LE MOTEUR 2 TEMPS UTILISE UN MÉLANGE ESSENCE-HUILE DANS LA PROPORTION 50:1.

NE PAS UTILISER D'ESSENCE PURE NON MÉLANGÉE SOUS PEINE D'ENDOMMAGER LE MOTEUR.



AUTOCOLLANTS DE SÉCURITÉ

Ce cultivateur est conçue et fabriquée pour offrir toute la sécurité et la fiabilité qu'on est en droit d'attendre d'un leader du marché de l'outillage motorisé pour travaux extérieurs.

Le présent manuel et les instructions de sécurité qu'il contient fournissent les connaissances de base nécessaires pour utiliser ce matériel efficacement et en toute sécurité. Nous avons apposé un autocollant de sécurité sur la motobineuse pour rappeler certaines de ces informations importantes à l'opérateur durant l'utilisation de la machine.

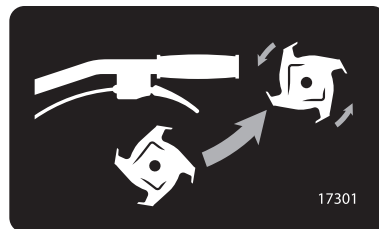
Les illustrations ci-dessous ont pour objet de familiariser l'opérateur avec l'emplacement et le contenu de ces importants autocollants de sécurité, visibles durant l'exploitation normale de la motobineuse. Veiller à les passer en revue maintenant et, en cas de doute concernant leur signification ou le respect de ces instructions, relire complètement les instructions de sécurité du manuel.

Si un autocollant devient illisible en raison de son usure, sa décoloration ou autre dommage subi pendant l'utilisation ce cultivateur, utiliser le numéro de référence indiqué pour commander une étiquette de rechange. Elles peuvent être commandées auprès du service après-vente *Earthquake*. Ces autocollants sont faciles à appliquer et constituent, pour les utilisateurs de la machine, un rappel visuel constant à respecter les mesures de précaution nécessaires à une exploitation sécuritaire et efficace de la motobineuse.

⚠ WARNING/AVERTISSEMENT	
	<p>Keep Away From Rotating Tines. Rotating tines will cause injury. Read the operator's manual. Know the location and function of all controls. Keep all safety devices and shields in place and working. Never allow children or uninstructed adults to operate machine. Shut off engine before manually unclogging tines or making repairs. Keep bystanders away from machine. Keep away from rotating parts. Use extreme caution when reversing or pulling the machine towards you. Failure to follow this warning can result in serious bodily injury including broken bones and loss of limbs.</p>
	<p>Rester à l'écart des fraises en rotation. Les fraises en rotation provoquent des blessures. Lire le manuel de l'utilisateur. Connaître l'emplacement et la fonction de toutes les commandes. Maintenir tous les écrans et dispositifs de sécurité en place et en état de marche. Ne jamais permettre à des enfants ou à des adultes inexpérimentés d'utiliser la machine. Couper le moteur avant de déboucher les fraises ou d'effectuer des réparations. Tenir les personnes présentes à l'écart de la machine. Rester à l'écart des pièces en rotation. Faire preuve de grande prudence lors des changements de sens ou en tirant la machine vers soi. Ne pas respecter cet avertissement peut entraîner de graves blessures corporelles, notamment des fractures osseuses voire la perte de membres.</p>
	17048

Référence 17048

Autocollant d'avertissement de cultivateur - Bouclier



Référence 17301

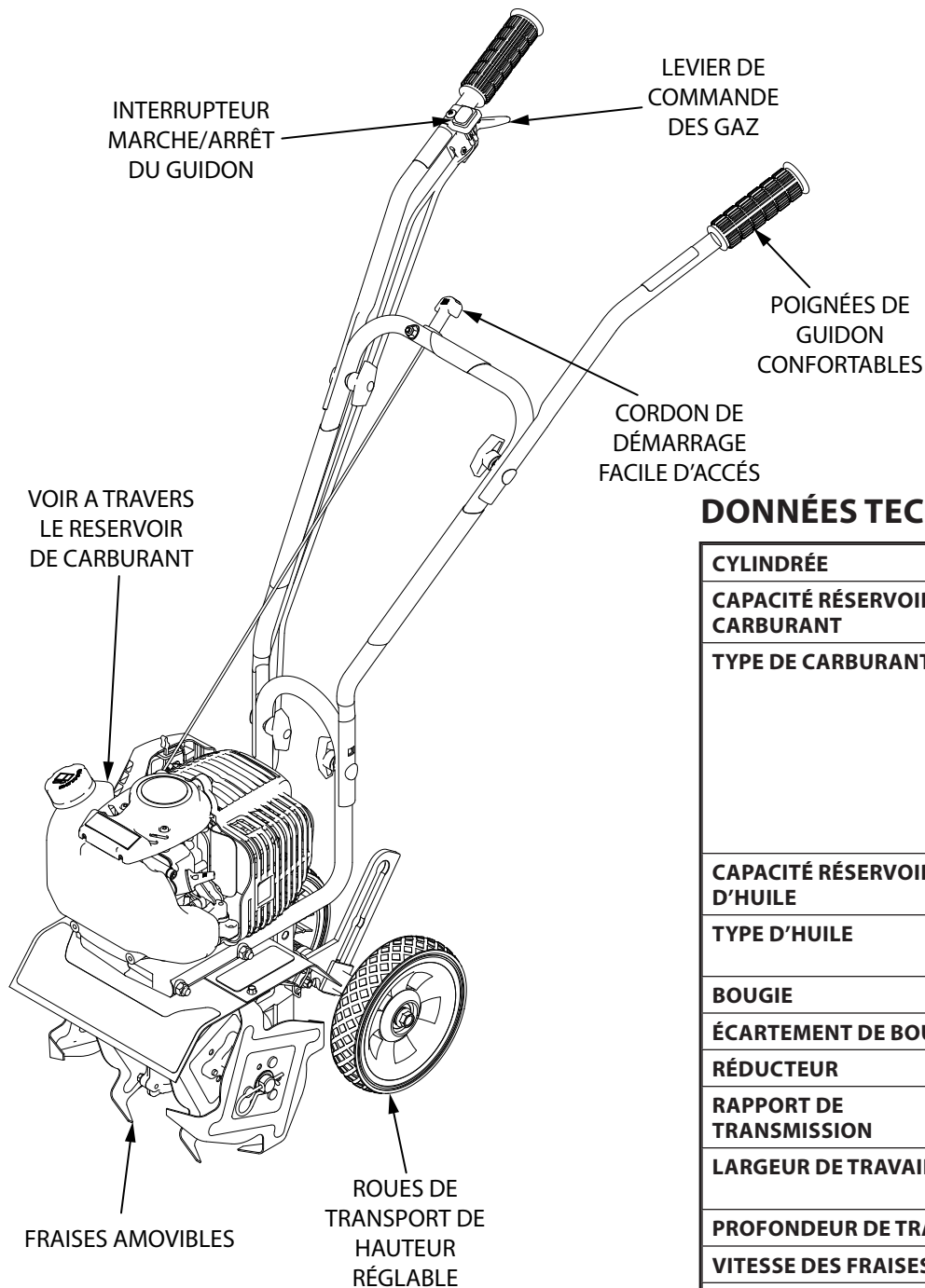
Décalque de commande des gaz - Guidon droit



Référence 17918

Emplacement de départ à main sécurisé -
Autocollant gauche

CARACTÉRISTIQUES



DONNÉES TECHNIQUES

CYLINDRÉE	40 cc
CAPACITÉ RÉSERVOIR DE CARBURANT	0,75 l
TYPE DE CARBURANT	Esence d'indice d'octane 87 au minimum FAIBLE éthanol REMARQUE : Si une essence contenant de l'éthanol est utilisée, il est conseillé d'ajouter un stabilisateur de carburant dans les proportions spécifiées par le fabricant
CAPACITÉ RÉSERVOIR D'HUILE	11 cl (3,72 onces)
TYPE D'HUILE	HUILE VIPER 4 TEMPS (réf. 13235) 10W-30
BOUGIE	NGK CMR6A
ÉCARTEMENT DE BOUGIE	0,6 mm
RÉDUCTEUR	TRANSMISSION PAR ENGRENAGES
RAPPORT DE TRANSMISSION	32:1
LARGEUR DE TRAVAIL	15 cm (6 po) min. - 25 cm (10 po) max.
PROFONDEUR DE TRAVAIL	20 cm (8 po) maximum
VITESSE DES FRAISES	288 tr/min
DIMENSIONS DES ROUES	Dia. 18 cm x 3,8 cm (7,1 po x 1,5 po)
POIDS UNITAIRE	15 kg (33 lb)
DIMENSIONS L x L x H cm (po)	85 cm x 45 cm x 103 cm (33,6 po x 17,8 po x 40,6 po)

DÉBALLAGE ET ASSEMBLAGE

DÉBALLAGE DE LA CULTIVATEUR

1. Soulever la motobineuse avec précaution hors de la caisse, enlever tous les matériaux d'emballage et couper toutes les attaches qui maintiennent les pièces du guidon sur la motobineuse.
2. Trouver le paquet de pièces. Le paquet de pièces contient :
 - 4 - Écrous à bouton en té (4640)
 - 4 - Rondelles incurvées (4641)
 - 4 - Vis de serrage à oreilles (4642)

ASSEMBLAGE

1. Poser la cultivateur en position verticale avec les fraises et les roues sur une surface de niveau. Les roues doivent être réglées sur leur position la plus basse (voir les instructions de réglage des roues à la page 12). **NE PAS** placer la motobineuse sur une surface élevée d'où elle peut chuter et provoquer des dégâts matériels ou des blessures corporelles.
2. Avec deux écrous à bouton en té, deux vis de serrage à oreilles et deux rondelles incurvées, attacher l'arceau de guidon intermédiaire à l'arceau de guidon inférieur, qui est déjà raccordé à la motobineuse (**VOIR FIGURE 1**). S'assurer que le cordon de lanceur est au centre de l'arceau intermédiaire lors du montage. L'arceau de guidon intermédiaire peut être monté en position haute ou basse. **NE PAS** serrer excessivement les écrous à bouton en té.
3. Attacher les branches droite et gauche du guidon à l'arceau de guidon intermédiaire avec les deux écrous à bouton en té, vis à oreilles et rondelles incurvées restants (**VOIR FIGURE 1**). **NE PAS** serrer excessivement les écrous à bouton en té.
4. La barre de traînée est livrée avec la pointe vers le haut. Avant utilisation, retirer la cheville d'arrêt et retourner la barre de traînée de façon à ce que la pointe soit dirigée vers le bas et face aux fraises. Remettre la cheville d'arrêt en place. **VOIR FIGURE 2**.

FONCTIONNEMENT

PRÉPARATION DU MOTEUR POUR LE DÉMARRAGE

ESSENCE ET HUILE

REMARQUE : Le moteur est livré de l'usine sans huile. De l'huile moteur doit y être ajoutée avant de le démarrer. Si le moteur est démarré sans huile, il peut être endommagé de façon irréparable et il ne sera pas couvert par la garantie.

Qualité

Nous conseillons d'utiliser l'huile 4 temps de marque VIPER (13235), fournie avec chaque MC440 neuve, ou une huile moteur 10W-30 équivalente pour assurer un bon fonctionnement du moteur tout au long de sa durée de service. Utiliser une essence sans plomb de qualité, de préférence contenant peu ou pas d'éthanol.

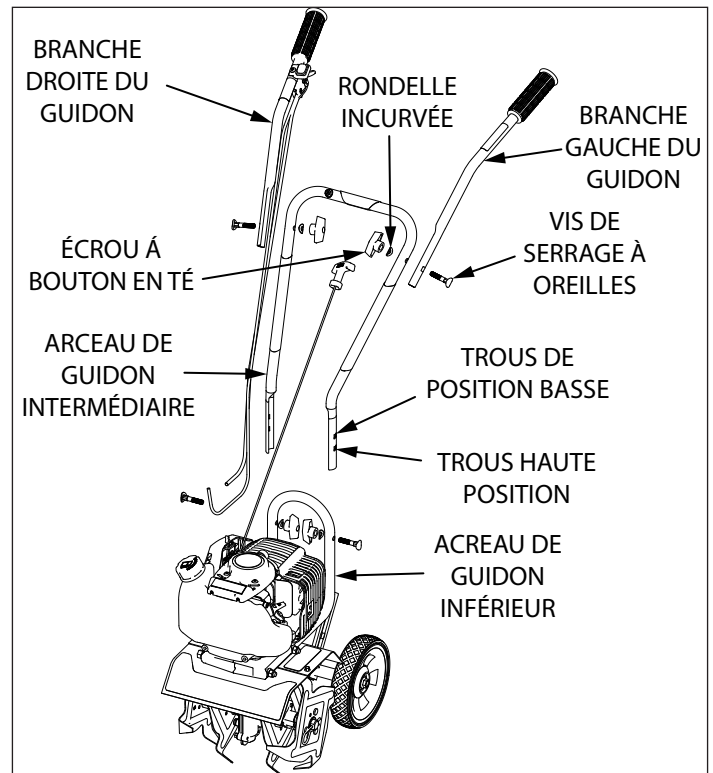


FIGURE 1

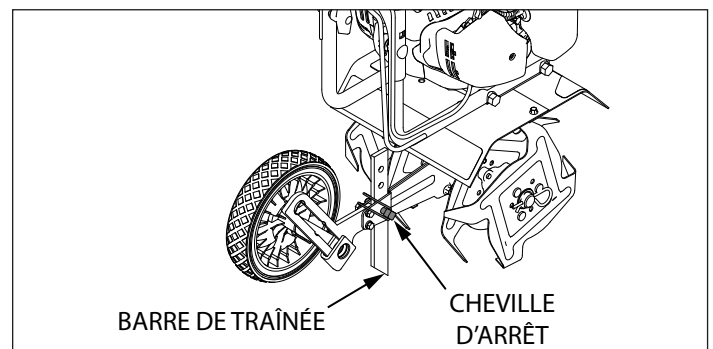


FIGURE 2

Contrôler et compléter le niveau d'huile

S'assurer que le moteur est posé sur une surface de niveau avant de contrôler ou de compléter le niveau d'huile. La position correcte de la machine pour contrôler ou compléter le niveau d'huile est face à terre, avec le réservoir d'essence de la MC440 en bas sur une surface horizontale. **VOIR FIGURE 3**.

AVIS

LE MOTEUR DOIT ÊTRE BASCULÉ VERS L'AVANT AVEC LE RÉSERVOIR D'ESSENCE EN BAS POUR CONTRÔLER OU COMPLÉTER LE NIVEAU D'HUILE AFIN D'ÉCARTER LE RISQUE D'UN REMPLISSAGE EXCESSIF D'HUILE POUVANT ALTÉRER LE FONCTIONNEMENT DU MOTEUR. VÉRIFIEZ L'HUILE APRÈS L'ARRÊTEMENT DE LA MACHINE LORS DE CINQ MINUTES.

1. Nettoyer le pourtour de l'orifice de remplissage.
2. Dévisser la jauge d'huile et l'essuyer avec un chiffon.
3. Remettre la jauge en place (elle doit être vissée à fond pour produire une mesure exacte).
4. Dévisser et contrôler la jauge. S'il n'y a pas d'huile sur la jauge, compléter le niveau d'huile jusqu'entre les repères bas et haut de la jauge. **VOIR FIGURE 3.**
5. Changer l'huile si elle est sale.

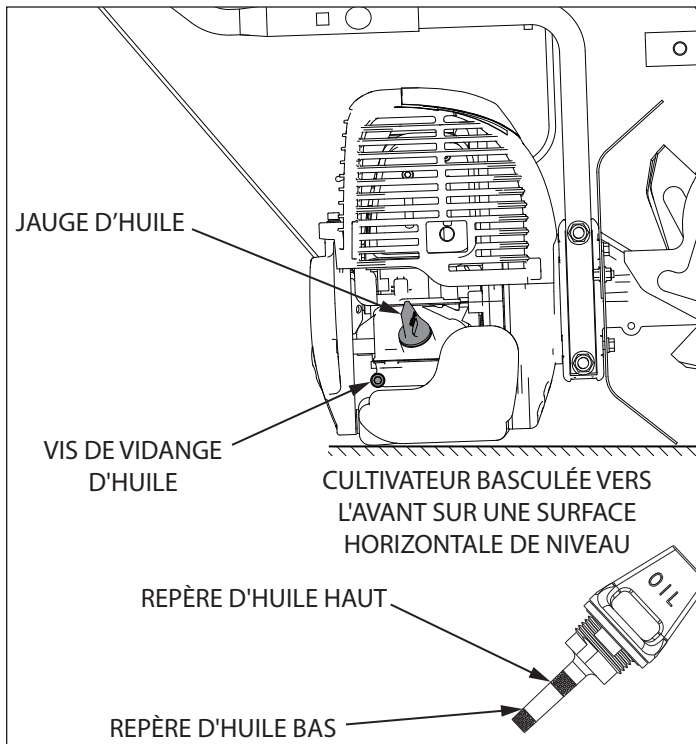


FIGURE 3

Remplissage du réservoir de carburant

1. Couper le moteur et laisser le moteur refroidir complètement avant de refaire le plein du réservoir.
2. Se placer dans un endroit bien aéré, à l'extérieur, à l'écart de flammes et d'étincelles.
3. Nettoyer les saletés autour du bouchon de réservoir.
4. Desserrer lentement le bouchon de réservoir. Empêcher le bouchon de toucher de la saleté ou des matières étrangères.
5. Verser le carburant avec précaution sans en renverser.
6. Ne pas remplir complètement le réservoir, prévoir de l'espace pour la dilatation du carburant.
7. Remettre immédiatement le bouchon de réservoir en place et le serrer. Essuyer tout carburant déversé et laisser sécher avant de démarrer le moteur.

! DANGER

LE MOTEUR EST LIVRÉ DE L'USINE SANS HUILE. DE L'HUILE MOTEUR DOIT Y ÊTRE AJOUTÉE AVANT DE LE DÉMARRER. SI LE MOTEUR EST DÉMARRÉ SANS HUILE, IL PEUT ÊTRE ENDOMMAGÉ DE FAÇON IRRÉPARABLE ET IL NE SERA PAS COUVERT PAR LA GARANTIE.

NE JAMAIS ENTREPOSER LE MOTEUR À L'INTÉRIEUR AVEC DU CARBURANT DANS LE RÉSERVOIR. LE CARBURANT ET SES VAPEURS SONT TRÈS INFLAMMABLES.

SEUL UN ADULTE DEVRA MANIPULER L'ESSENCE ET FAIRE LE PLEIN DU RÉSERVOIR.

TOUJOURS MANIPULER L'ESSENCE DANS UN ENDROIT BIEN AÉRÉ, À L'EXTÉRIEUR, À L'ÉCART DE FLAMMES OU D'ÉTINCELLES.

NE PAS DÉMARRER LE MOTEUR EN CAS DE DÉVERSEMENT ACCIDENTEL DE CARBURANT. ESSUYER LE CARBURANT DÉVERSÉ ET LAISSER SÉCHER. ÉLOIGNER LE MOTEUR DE LA ZONE POUR ÉVITER LES ÉTINCELLES.

AVIS

NE PAS PULVÉRISER D'EAU SUR OU À PROXIMITÉ DE LA PARTIE ÉLECTRONIQUE DE LA MOTOBINEUSE CAR CELA PEUT ENDOMMAGER LES COMPOSANTS ÉLECTRIQUES.

CONSEILS D'UTILISATION

1. L'embrayage transfère un maximum de couple au bout de deux heures de marche normale. Durant cette phase de rodage, il est possible que l'embrayage patine. Pour fonctionner correctement, l'embrayage doit être gardé à l'abri d'huile et autre forme d'humidité.
2. Biner sans peser trop lourdement sur la machine. La MC440 fonctionne plus efficacement sous son propre poids seulement.
3. Ne jamais faire tourner le moteur à l'intérieur. Les fumées d'échappement sont mortelles.

DÉMARRER ET ARRÊTER LE MOTEUR

- Placer le moteur dans un endroit bien aéré, à l'extérieur, pour éviter toute intoxication au monoxyde de carbone.
- Se tenir à l'écart de toutes flammes ou étincelles pour écarter le risque d'inflammation des vapeurs.
- Éliminer tous les débris des orifices de l'épurateur d'air et du bouchon de carburant pour assurer un écoulement d'air correct.
- S'il s'agit du premier démarrage de la MC440, s'assurer que l'huile 4 temps fournie a été versée dans l'orifice de remplissage d'huile.

DÉMARRAGE À FROID :

Démarrage du moteur pour la première fois, après que le moteur a refroidi ou après une panne de carburant.

1. Placer le levier du volet de départ en position **ÉTRANGLÉ**. **VOIR FIGURE 4.**

REMARQUE : La position **ÉTRANGLÉ** correspond au déplacement du levier de départ à fond vers la droite, vers le réservoir d'essence.

2. Amorcer la machine jusqu'à ce que le tuyau d'amorçage soit rempli de carburant.

REMARQUE : Lors de l'utilisation de la poire d'amorçage, laisser la poire revenir complètement dans sa position initiale entre deux pressions.

3. Placer l'interrupteur **Marche/Arrêt** en position **Marche**.
4. Tenir fermement la barre de poignée. Saisir la poignée du lanceur et tirer lentement jusqu'à sentir un légère résistance. Sans laisser le lanceur se rétracter, tirer le cordon à fond d'un mouvement rapide du bras. Le laisser revenir lentement à sa position de repos. Répéter cette opération jusqu'à ce que la machine démarre.

REMARQUE : Si le moteur ne démarre pas au bout de 5 à 6 tractions, appuyer 1 fois sur la poire d'amorçage et tirer une nouvelle fois sur le cordon.

5. Une fois que le moteur est en marche, ramener le levier de départ en position **SEMI-ÉTRANGLÉ** jusqu'à ce que le moteur tourne à un régime stable.

REMARQUE : La position **SEMI-ÉTRANGLÉ** correspond à l'engagement du levier entre **ÉTRANGLÉ** et **MARCHE**. **VOIR FIGURE 4.**

6. Placer le levier de départ en position **MARCHE** et serrer la commande des gaz jusqu'à la position souhaitée. **VOIR FIGURE 4.**

REMARQUE : Faire tourner le moteur à pleins gaz autant que possible. Ne pas le laisser au ralenti pendant des durées prolongées.

7. Pour arrêter le moteur, enfoncer l'interrupteur **Marche/Arrêt** jusqu'en position **Arrêt**.

DÉMARRAGE MOTEUR TIÈDE/CHAUD :

1. Continuer à l'étape 3 du démarrage à froid.
2. Si le moteur ne démarre pas, se reporter à l'étape 1 du démarrage à froid.

POUR ARRÊTER LE MOTEUR :

Mettre l'interrupteur **Marche/Arrêt** en position **Arrêt**.



DANGER

NE PAS TENTER DE DÉMARRER LE MOTEUR DES FAÇONS SUIVANTES :

- **NE PAS UTILISER DE LIQUIDE DE DÉMARRAGE.**
- **NE PAS PULVÉRISATION DE LIQUIDES OU VAPEURS INFLAMMABLES DANS L'ÉPURATEUR D'AIR, LE CARBURATEUR OU LE LOGEMENT DE BOUGIE.**
- **NE PAS RETIRER LA BOUGIE ET TENTER DE DÉMARRER LE MOTEUR. DU CARBURANT PEUT GICLER HORS DU MOTEUR ET ÊTRE ENFLAMMÉ PAR UNE ÉTINCELLE OU PAR LA BOUGIE.**



ATTENTION

S'ASSURER QUE LA MACHINE EST EN POSITION STABLE AVANT DE TIRER SUR LA POIGNÉE DU LANCEUR.

EN CAS D'ALLUMAGE OU DE DÉMARRAGE DU MOTEUR, RAMENER LES DEUX MAINS SUR LE GUIDON POUR MAINTENIR LE CONTRÔLE ET LA STABILITÉ DE LA MACHINE.

SI LE MOTEUR NE DÉMARRE PAS APRÈS LA PROCÉDURE DE DÉMARRAGE, COMMUNIQUER AVEC NOTRE SERVICE APRÈS-VENTE AU 800-345-6007.

LE CORDON DU LANCEUR PEUT PROVOQUER UNE BRUSQUE TRACTION INATTENDUE EN DIRECTION DU MOTEUR. SUIVRE LES INSTRUCTIONS POUR ÉVITER TOUTE BLESSURE.

NE JAMAIS LAISSER LE MOTEUR EN MARCHÉ SANS SURVEILLANCE. LE COUPER APRÈS CHAQUE UTILISATION.

NE JAMAIS PORTER LA MOTOBINEUSE D'UN ENDROIT À UN AUTRE AVEC LE MOTEUR EN MARCHÉ.

TOUJOURS PORTER UNE PROTECTION AUDITIVE.

NE PAS DÉMARRER LE MOTEUR EN CAS DE DÉVERSEMENT ACCIDENTEL DE CARBURANT. ESSUYER LE CARBURANT DÉVERSÉ ET LAISSER SÉCHER.

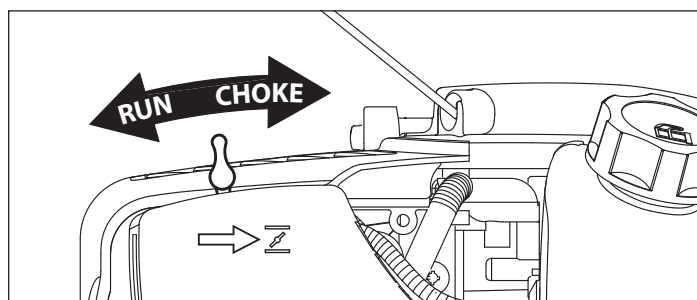


FIGURE 4

RÉGLAGE DES ROUES ET DE LA BARRE DE TRAÎNÉE

Les roues de la MC440 comportent trois positions de réglage. La position **BASSE** des roues s'utilise pour transporter la motobineuse sur une surface lisse et de niveau avec le moteur à l'arrêt. Les positions **HAUTE** et **TRÈS HAUTE** des roues s'utilisent lors du binage pour stabiliser la machine à différentes profondeurs de travail (**VOIR FIGURE 5**).

Pour régler les roues vers le haut ou le bas (VOIR FIGURES 6 ET 7) :

1. Tirer la douille métallique de verrouillage contre le ressort, à l'écart du guide vertical de façon à la dégager de l'une des trois encoches de position dans le guide vertical.

2. Faire coulisser les roues vers le haut ou le bas jusqu'à la position souhaitée puis relâcher la douille métallique de verrouillage pour l'engager dans l'encoche correspondante du guide vertical.

La barre de traînée s'utilise pour contrôler la profondeur de binage et empêcher la MC440 de faire des bonds en avant durant l'utilisation. La résistance à la marche avant est la plus grande lorsque la barre de traînée est réglée dans sa position la plus basse, permettant un binage plus en profondeur.

Pour régler la barre de traînée (VOIR FIGURE 7) :

1. Tirer la cheville hors du trou de fixation de la barre de traînée.
2. Placer la barre de traînée avec la pointe dirigée vers le bas.
3. Enfiler la cheville dans le trou qui correspond à la profondeur souhaitée.

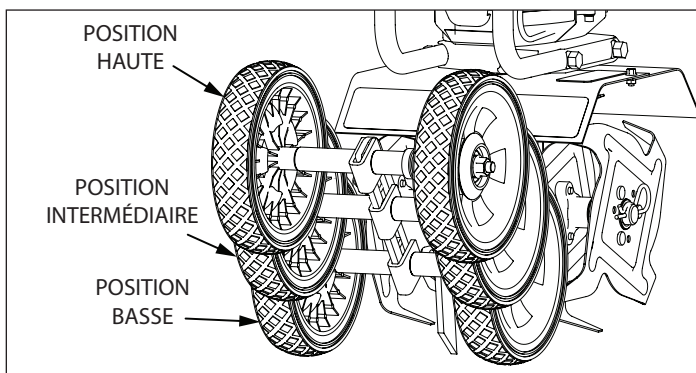


FIGURE 5

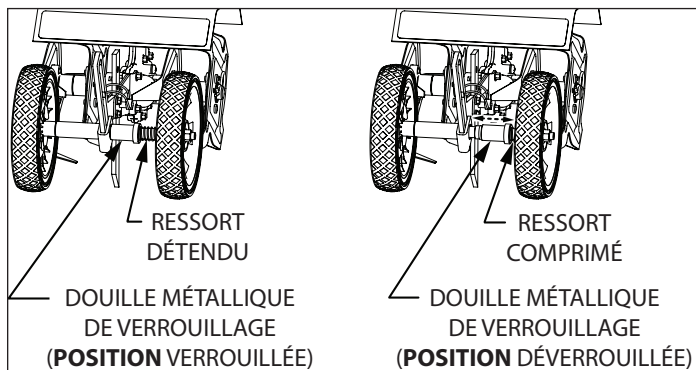


FIGURE 6

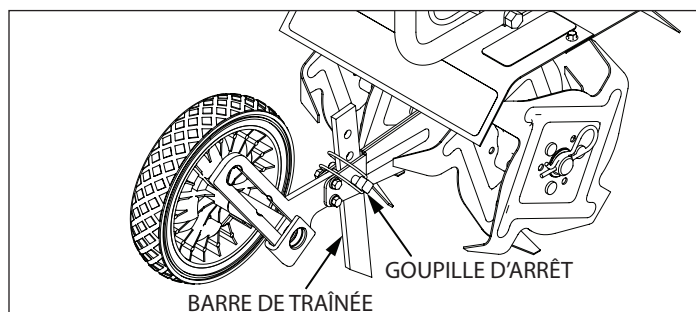


FIGURE 7

DÉPOSE ET POSE DES FRAISES

Déposer les fraises (VOIR FIGURE 8)

1. Retirer les goupilles en épingle de chaque extrémité de l'arbre de fraises.
2. Glisser les quatre fraises hors de l'arbre.

Poser les fraises

1. Enfiler d'abord les fraises intérieures sur les deux côtés de l'arbre de fraises. L'une des fraises intérieures est estampée d'un **B** et l'autre d'un **C**.
2. Enfiler ensuite les fraises extérieures **A** et **D** sur les deux côtés de l'arbre de fraises. Les fraises doivent être posées dans l'ordre **A, B, C, D** de gauche à droite lorsqu'elles sont vues depuis la position de conduite de la MC440. Vérifier que les colliers de moyeu sur les paires droite et gauche de fraises sont face à face de manière à créer un espacement suffisant entre les couteaux. **VOIR FIGURE 8.**
3. Enfiler les goupilles en épingle dans les trous à chaque extrémité de l'arbre pour bloquer les fraises en place.

REMARQUE : Les fraises peuvent être inversées de façon à tourner les pointes de fraises vers l'avant, pour produire un binage plus vigoureux. Dans cette configuration, les fraises sont placées dans l'ordre **D, C, B, A** de gauche à droites vues depuis la position de conduite.

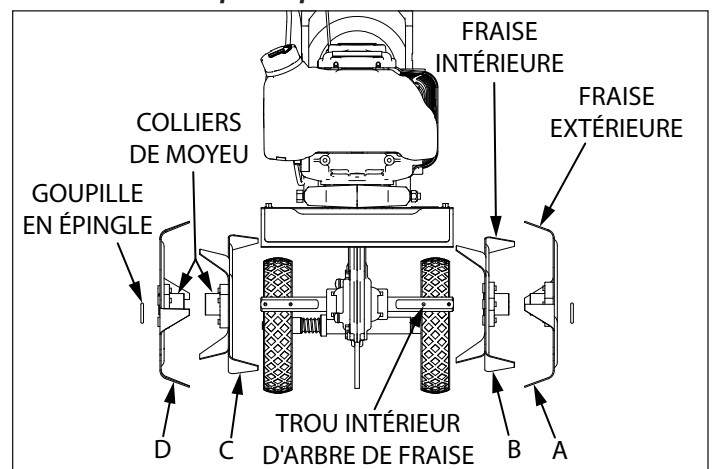


FIGURE 8

REMARQUE : Pour réduire la largeur de binage de 25 cm à 15 cm (10 po à 6 po), retirer les deux fraises extérieures et placer les goupilles en épingle dans les deux trous intérieurs de l'arbre de fraises de façon à bloquer les deux fraises intérieures.

* Numérisez ce code QR avec votre smartphone pour obtenir des conseils et astuces utiles pour l'utilisation de votre cultivateur. www.getearthquake.com

Vous devrez peut-être obtenir un lecteur QR Code® à partir de votre magasin d'applications pour smartphones. Des tarifs de données peuvent s'appliquer.



ENTRETIEN ET ENTREPOSAGE

TRAVAILLER SUR LA MACHINE

1. Mettre l'interrupteur Marche/Arrêt en position **Arrêt**.
VOIR FIGURE 9
2. Remplacer ou réparer la pièce défectueuse sur la MC440.
3. Contrôler toutes les pièces réparées ou déposées durant la réparation pour vérifier qu'elles sont correctement fixées.

REMARQUE : Toutes les pièces réparées doivent provenir de l'usine. Ne jamais utiliser de pièces de rechange qui ne sont pas spécifiquement conçues pour la motobineuse.

ENTRETIEN DE LA MC440

1. Le carter de réducteur est rempli de graisse à l'usine. Il est conseillé de faire ouvrir le carter par un technicien d'entretien qualifié une fois par an pour contrôler le niveau de graisse. Compléter le niveau avec de la graisse de type molybdène uniquement s'il est plus bas que le sommet des pignons. **NE PAS TROP REMPLIR!**
2. Maintenir tous les boulons, vis et écrous bien serrés.
3. Pour une utilisation par temps froid, entreposer la machine dans un endroit frais. Le transfert de la machine du froid au chaud peut provoquer l'accumulation d'une condensation préjudiciable.

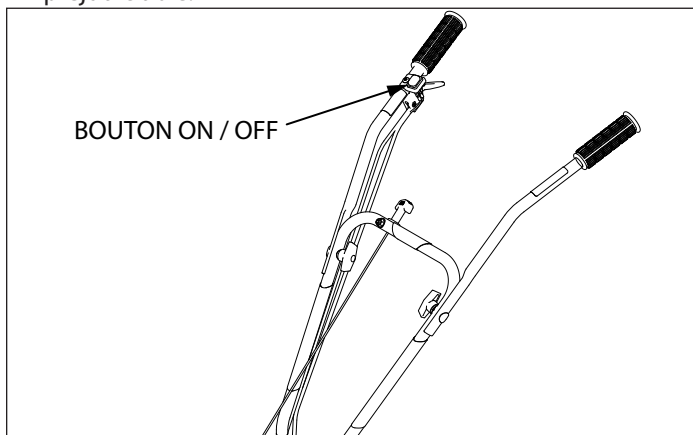


FIGURE 9

ENTRETIEN DU MOTEUR

Reportez-vous à la garantie d'émission du moteur fournie avec votre produit pour le calendrier d'entretien.

Un bon entretien est indispensable à un fonctionnement sûr, économique et sans panne de la machine. Cela réduit également la pollution de l'air. Pour assurer des soins corrects du moteur, les pages suivantes comportent un calendrier d'entretien, des instructions de contrôle courant et des instructions d'entretien élémentaire au moyen d'outils à mains de base. Il est préférable de confier à des professionnels les tâches d'entretien ou de réparation plus difficiles ou nécessitant un outillage spécial et qui sont normalement effectuées par un technicien ou autre mécanicien qualifié.



AVERTISSEMENT

S'ATTACHER EN PERMANENCE À LA SÉCURITÉ. COUPER LE MOTEUR ET LE LAISSER REFROIDIR AVANT TOUTE OPÉRATION D'ENTRETIEN OU DE RÉPARATION.

POUR ÉVITER LES DÉMARRAGES INTÉMPÊSTIFS :

- **COUPER LE MOTEUR ET LE LAISSER REFROIDIR AVANT TOUT CONTRÔLE OU RÉGLAGE DU MOTEUR OU DU MATÉRIEL.**
- **LA TEMPÉRATURE DU SILENCIEUX ET DES SURFACES VOISINES PEUT DÉPASSER 65 °C (150 °F). ÉVITER DE TOUCHER CES SURFACES.**
- **VÉRIFIER LE SERRAGE DES ÉCROUS ET BOULONS DE LA MOTOBINEUSE. VEILLER À LES MAINTENIR BIEN SERRÉS.**
- **NE JAMAIS ENTREPOSER LE MOTEUR AVEC DU CARBURANT DANS LE RÉSERVOIR À L'INTÉRIEUR D'UN BÂTIMENT. CELA PRÉSENTE UN RISQUE D'INFLAMMATION DU CARBURANT OU DE SES VAPEURS PAR DES ÉTINCELLES POTENTIELLES.**
- **SEUL UN ADULTE DEVRA EFFECTUER L'ENTRETIEN ET LES RÉPARATIONS DE LA MOTOBINEUSE.**

AVIS

LA POSITION CORRECTE DE LA MACHINE POUR CONTRÔLER OU COMPLÉTER LE NIVEAU D'HUILE EST FACE À TERRE, AVEC LE RÉSERVOIR D'ESSENCE DE LA MC440 EN BAS SUR UNE SURFACE HORIZONTALE. VOIR FIGURE 3 À LA PAGE 10. TOUTE AUTRE POSITION PEUT ENTRAÎNER UN REMPLISSAGE EXCESSIF D'HUILE POUVANT ALTÉRER LE FONCTIONNEMENT DU MOTEUR. VÉRIFIEZ L'HUILE APRÈS L'ARRÊTEMENT DE LA MACHINE LORS DE CINQ MINUTES.

L'entretien, le remplacement et la réparation des dispositifs et systèmes de contrôle des émissions peuvent être effectués par tout mécanicien ou atelier de réparation de moteurs non routiers. Toutefois, ces éléments doivent être confiés à un concessionnaire agréé pour bénéficier d'un service sous garantie de contrôle des émissions « sans frais ».

Le calendrier d'entretien s'applique à des conditions normales d'utilisation. Si le moteur est utilisé dans des conditions inhabituelles, notamment une exploitation soutenue sous forte charge ou température élevée ou des conditions exceptionnellement humides ou poussiéreuses, obtenir des conseils relatifs à ces besoins et emplois particuliers auprès du concessionnaire.

GRAISSAGE

Choisir une huile moteur conforme ou supérieure à la classe de service API la plus récente. Pour les températures supérieures à 0 °C (32 °F), utiliser de l'huile moteur 10W-30. Utiliser de l'huile SAE 5W-30 aux températures inférieures à 0 °C.

ENTRETIEN DU CIRCUIT D'HUILE

L'huile d'un moteur Viper neuf doit être changée au bout des cinq premières heures de marche puis toutes les 50 heures de marche par la suite. L'huile doit être changée toutes les 25 heures en cas d'utilisation sous des conditions difficiles, telles qu'aux hautes températures ou sous des charges élevées. Contrôler le niveau régulièrement, ne pas trop remplir!

CHANGER L'HUILE

S'assurer que le moteur est à l'arrêt et posé sur une surface de niveau avant de contrôler ou de compléter le niveau d'huile. Un moteur chaud est préférable pour faciliter la vidange d'huile.

CHANGEMENT DE L'HUILE

1. Mettre l'interrupteur Marche/Arrêt en position **Arrêt**.
2. Dévisser la vis de vidange d'huile et vidanger l'huile dans un récipient approprié (**VOIR FIGURE 3 à la page 10**). Éliminer l'huile comme il se doit.
3. Remettre la vis de vidange en place et retirer la jauge d'huile.
4. Remplir d'une huile appropriée jusqu'au repère FULL ou haut de la jauge (**VOIR FIGURE 3 à la page 10**).
5. Remettre la jauge ou le capuchon d'huile en place et serrer.

BOUGIE

La bougie recommandée est une NGK CMR6A. Voir les instructions d'entretien de la bougie en ligne à www.getearthquake.com ou appeler le service après-vente Earthquake.

CARBURATEUR

Ne jamais modifier le réglage d'usine du carburateur.

AILETTES DE REFROIDISSEMENT

Les ailettes de refroidissement, les entrées d'air et les tringles doivent être nettoyées de toute saleté avant chaque utilisation.

FILTRE À AIR

Ne jamais faire fonctionner le moteur sans l'épurateur d'air en place. Une usure additionnelle et la défaillance du moteur sont possibles si l'épurateur d'air n'est pas monté sur le moteur.

Effectuer l'entretien de l'épurateur d'air tous les 3 mois ou après 20 heures de marche. Nettoyer le filtre chaque jour en cas de conditions extrêmement poussiéreuses.

Changement et nettoyage du filtre à air (filtre de type bloc de mousse)

1. Avant de déposer le couvercle de filtre à air, mettre le levier de départ en position **ÉTRANGLÉ**.
2. Pour déposer le couvercle de filtre à air, dévisser la vis du couvercle avec un tournevis et dégager avec précaution la patte de fermeture avant. Le couvercle peut alors être dégagé

des pattes de fermeture arrière et retiré du moteur. **VOIR FIGURE 10.**

3. Retirer le filtre en mousse et les éléments filtrants en fibres. Les remplacer par un filtre en fibres neuf et un filtre en mousse neuf huilé (**VOIR FIGURE 11**) ou nettoyer les filtres en fibres et en mousse existants à l'eau tiède et au savon doux. Penser à huiler soigneusement le filtre en mousse avec de l'huile moteur d'indice 30 ou 40 et essorer tout excédent d'huile avant de le remettre en place. Veiller à bien appuyer uniformément sur le filtre en mousse sur le filtre en fibres pour s'assurer que la mousse est complètement engagée de façon étanche dans son logement.
4. Pour remettre le couvercle de filtre à air en place, engager d'abord les pattes arrière puis rabattre le couvercle en s'assurant que le bloc de mousse reste en position correcte et engager la patte de fermeture avant pour fermer le bloquer en place.
5. Revisser la vis du couvercle. Tirer légèrement sur le couvercle pour vérifier qu'il est solidement fixé. Le couvercle est bien fixé s'il ne bouge pas lorsqu'on tire dessus.



ATTENTION

POUR ÉCARTER LES DANGERS DE BLESSURE OU DE MORT, NE JAMAIS SIPHONNER LE CARBURANT PAR LA BOUCHE.

NE JAMAIS ENTREPOSER LA MOTOBINEUSE AVEC DU CARBURANT DANS LE RÉSERVOIR À L'INTÉRIEUR D'UN BÂTIMENT OU D'UN LOCAL FERMÉ.

AVIS

NE JAMAIS VRILLER LES FILTRES À AIR DURANT LEUR NETTOYAGE. TOUJOURS LES PRESSER.

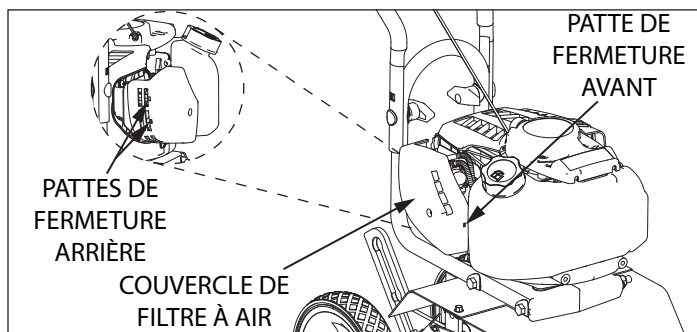


FIGURE 10
TRANSPORT DE LA MC440

1. Après avoir utilisé la motobineuse et avant de la transporter sur un plateau de camion, vérifier que le bouchon d'essence est bien serré (sens des aiguilles d'une montre). Le bouchon d'essence ne fuit pas durant le transport s'il est bien serré. Ne jamais transporter le moteur dans un espace fermé à l'intérieur d'un véhicule. Le carburant ou ses vapeurs peuvent s'enflammer et provoquer des blessures graves ou la mort.
2. S'il y a du carburant dans le réservoir, transporter la machine dans un véhicule ouvert en position verticale.

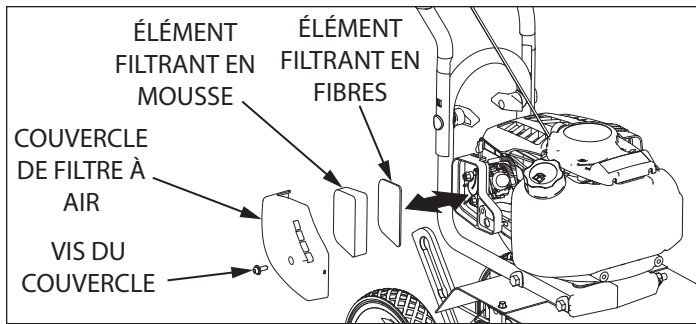


FIGURE 11

3. Si un véhicule fermé doit être utilisé, transférer le carburant dans un bidon d'essence rouge homologué. **NE PAS** siphonner par la bouche.
4. Essuyer tout déversement de carburant sur le moteur et la motobineuse. Laisser sécher.
5. Faire tourner le moteur pour consommer le reste de carburant présent dans le carburateur et le réservoir. Toujours faire tourner le moteur dans un endroit bien aéré.
6. Le bouchon d'essence doit être vissé hermétiquement avant de transporter la MC440 dans un véhicule.

ENTREPOSAGE DE LONGUE DURÉE

Si la MC440 ne doit pas être utilisée pendant un mois ou plus, la préparer pour l'entreposage à long terme.

Préparation à l'entreposage de longue durée

1. Mélanger une quantité appropriée de stabilisateur de carburant, tel que STA-BIL®, à de l'essence fraîche, dans la proportion recommandée sur l'emballage du stabilisateur. Faire tourner le moteur pendant cinq minutes pour distribuer le mélange avec stabilisateur à travers le circuit de carburant. Cela évite les dépôts gommeux, le vernis et la corrosion dans le circuit de carburant durant l'entreposage à long terme jusqu'à 12 mois.
2. Éliminer toutes les saletés des fraises et du moteur de la motobineuse.
3. Magasin pratiquant en le plaçant sur une surface plane, reposant sur le réservoir de carburant et tige bouclier. **VOIR**

FIGURE 12

DÉPANNAGE ET RÉPARATION

Chez *Earthquake*, nous intégrons la qualité et la durabilité dans la conception de nos produits; mais toute la conception soignée et tout l'entretien attentionné ne sauraient garantir une existence totalement exempte de réparation de cette machine *Earthquake*. La majorité des problèmes sont mineurs et aisément résolus en suivant les indications du guide de dépannage qui suit.

Ce guide aide à diagnostiquer les causes des problèmes les plus courants et à identifier leurs solutions.

Pour les réparations plus compliquées, il est préférable de s'adresser au revendeur, à un centre de réparation agréé ou à *Earthquake*. *Earthquake* effectuera les réparations nécessaires si aucun centre de réparation n'est disponible. Une liste des pièces détachées est fournie vers la fin de ce manuel.

Nous sommes toujours heureux de répondre à toute question ou d'aider à trouver l'assistance qui convient. Pour commander des pièces ou se renseigner sur la garantie, communiquer avec nous par téléphone ou par courriel en utilisant les coordonnées fournies dans cette section.

COMMANDE DE PIÈCES DE RECHANGE

Les pièces peuvent s'obtenir dans le magasin où la MC440 a été achetée ou directement auprès de l'usine. Pour commander des pièces, visiter www.getearthquake.com ou appeler le 1-800-345-6007.

Pour les questions plus générales, envoyer un courriel à info@getearthquake.com.

Veiller à joindre les renseignements suivants à la commande :

- 1) Référence des pièces
- 2) Description des pièces
- 3) Quantité
- 4) Numéro de modèle et numéro de série

PIÈCES DE RECHANGE

Utiliser exclusivement des pièces de rechange *Earthquake* homologuées.

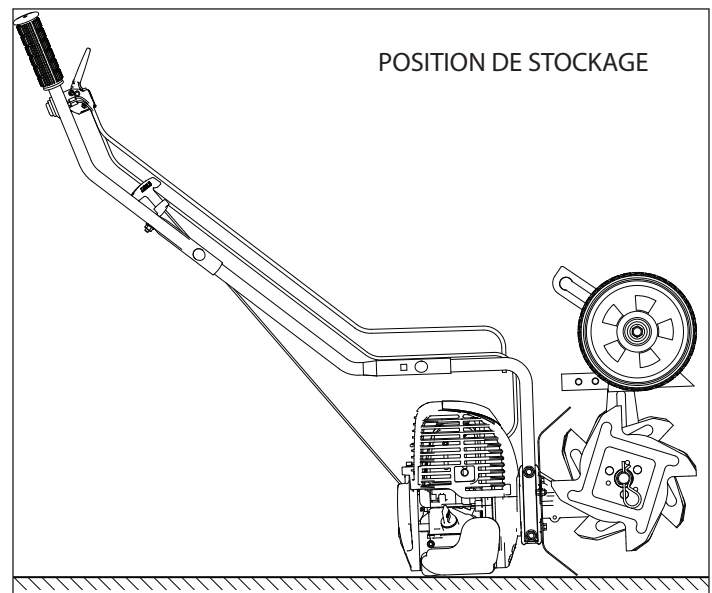


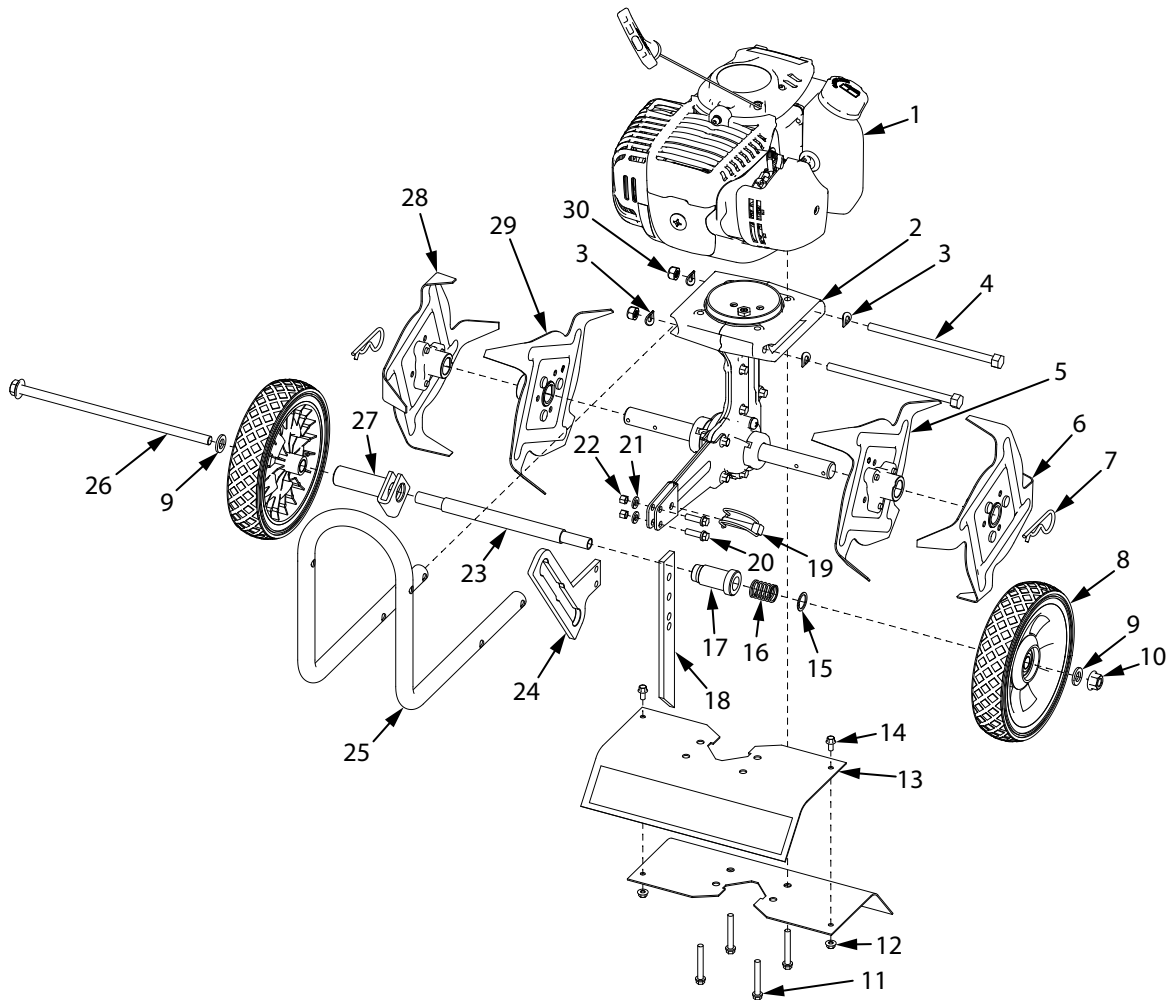
FIGURE 12

GUIDE DE DÉPANNAGE

PROBLÈME	CAUSE POSSIBLE	SOLUTION/ACTION
Le moteur ne démarre pas	1. Interrupteur d'alimentation en position d'arrêt	1. Mettre l'interrupteur en position MARCHE
	2. Câble de bougie débranché	2. Brancher le câble sur la bougie
	3. Panne d'essence	3. Refaire le plein
	4. Bougie humide, défectueuse ou d'écartement incorrect	4. Nettoyer, changer ou régler la bougie
	5. Tuyau de carburant pas placé au fond du réservoir	5. Pousser le tuyau de carburant vers le bas dans le réservoir
Le moteur a des ratés et se noie durant la marche	1. Filtre à air sale	1. Nettoyer ou changer le filtre à air
	2. Levier de départ partiellement engagé	2. Désengager le levier de départ
	3. Le carburateur est déréglé	3. Appelez le service clientèle
Le moteur est difficile à démarrer	1. Carburant vicié	1. Vidanger le carburant usagé et le remplacer par du frais. Utiliser du stabilisateur de carburant en fin de saison
	2. Câble de bougie lâche	2. Vérifier que le câble de bougie est solidement engagé sur la bougie
	3. Carburateur sale	3. Nettoyer le carburateur, utiliser du stabilisateur d'essence et un bidon neuf
Le moteur a des ratés ou manque de puissance	1. Réservoir de carburant obstrué	1. Démontez et nettoyez le réservoir
	2. Filtre à air encrassé	2. Nettoyer ou changer le filtre à air
	3. Carburateur déréglé ou défectueux	3. Appelez le service clientèle
	4. Bougie humide, défectueuse ou d'écartement incorrect	4. Nettoyer, changer ou régler la bougie
Le moteur tourne, puis cale	1. Bouchon de réservoir étanche à l'air	1. Nettoyer ou changer le bouchon d'essence, contrôler le reniflard
	2. Filtre à carburant obstrué	2. Nettoyer ou changer le filtre à carburant
	3. Carburateur déréglé ou défectueux	3. Appelez le service clientèle
Régime moteur trop élevé	1. Le carburateur est déréglé	1. Appelez le service clientèle
Les fraises tournent au ralenti	1. Régime de ralenti trop élevé	1. Baisser le régime de ralenti
	2. Ressort d'embrayage cassé	2. Remplacer l'embrayage
Démarrage est difficile à tirer	1. Il y a de l'huile dans la chambre de combustion	1. Retirer la bougie et sécher la chambre

Appeler le service après-vente Earthquake au 800-345-6007 pour tout besoin d'assistance supplémentaire.

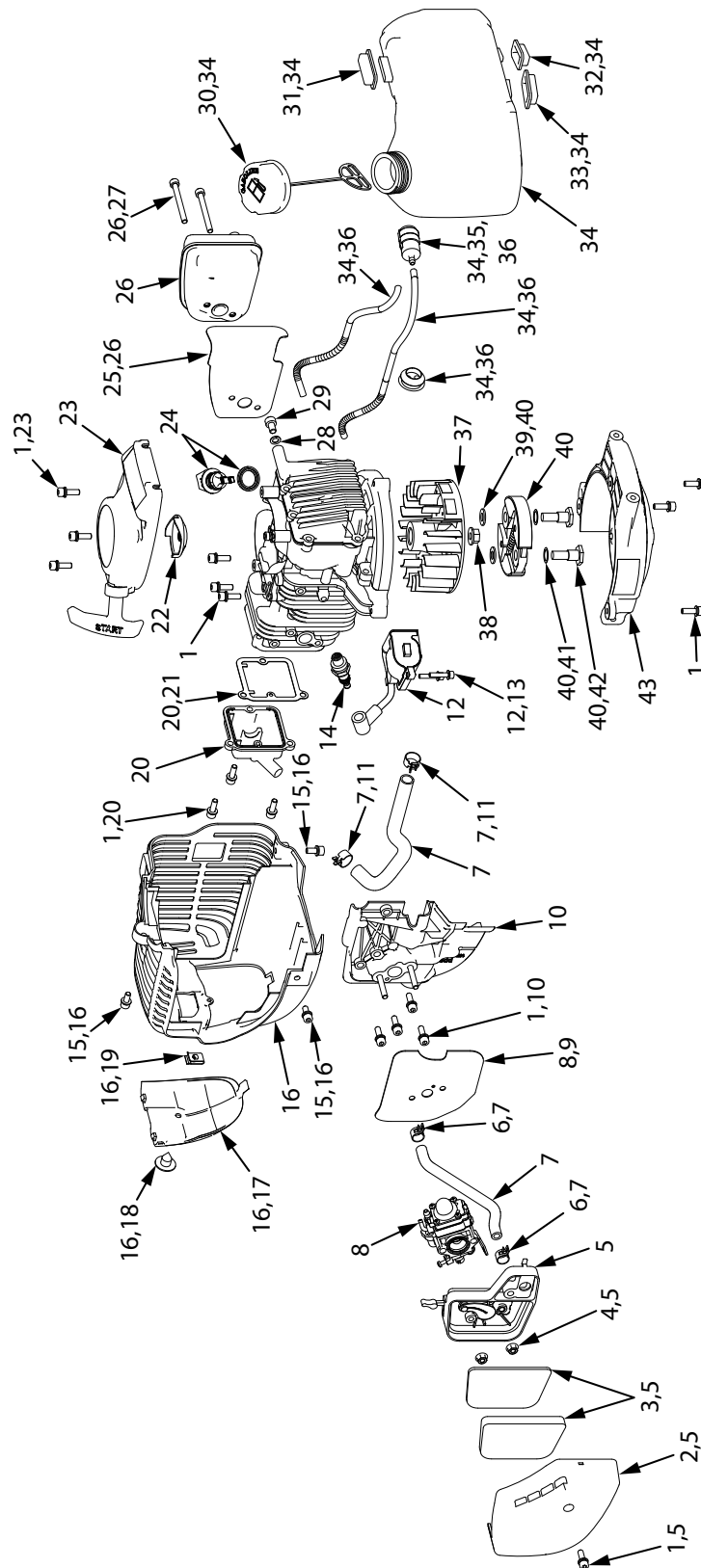
VUE ÉCLATÉE DU CAPOT ET DES FRAISES



REP.	RÉF.	DESCRIPTION	QTÉ
1	23491	MOTEUR 4 TEMPS OHV 40 CC	1
2	26013	RÉDUCTEUR	1
3	4641	RONDELLE INCURVÉE M8	4
4	46141	VIS M8 X 1,25 X 160 MM	2
5	4602	FRAISE C	1
6	4604	FRAISE D	1
7	4652	GOUPILLE EN ÉPINGLE 5/8-3/4	2
8	13189	ROUE 180 X 38 MM GRIS	2
9	2431	RONDELLE PLATE M10 X 20 X 2	2
10	13048	ÉCROU M10 X 1,5	1
11	4625	VIS À BRIDE M6 X 1,0 X 42	4
12	400020	ÉCROU-FREIN M5 X 0,8	2
13	23441	GARDE-BOUE	2
14	176	VIS M5 X 0,8 X 10	2
15	13230	RONDELLE 21 MM X 16 MM X 1 MM	1

REP.	RÉF.	DESCRIPTION	QTÉ
16	4685	RESSORT DE VERROUILLAGE DE ROUES	1
17	4684	DOUILLE DE VERROUILLAGE DE ROUES	1
18	4600	BARRE DE TRAÎNÉE	1
19	18039	CHEVILLE D'ARRÊT RAPIDE M8 X 40	1
20	46142	VIS M6 X 1,0 X 20	2
21	W1200117	RONDELLE PLATE M6 X 12 X 1 MM	2
22	4650	ÉCROU M6 X 1,0	2
23	4674	AXE TUBULAIRE DE ROUES	1
24	4673	PORTE-ROUES	1
25	12811	ARCEAU DE GUIDON INFÉRIEUR	1
26	4687	VIS M10 X 1,5 X 225 MM	1
27	4678	GUIDE D'AXE DE ROUES	1
28	4601	FRAISE A	1
29	4603	FRAISE B	1
30	400023	ÉCROU M8 NYLOC	2

VUE ÉCLATÉE DU MOTEUR

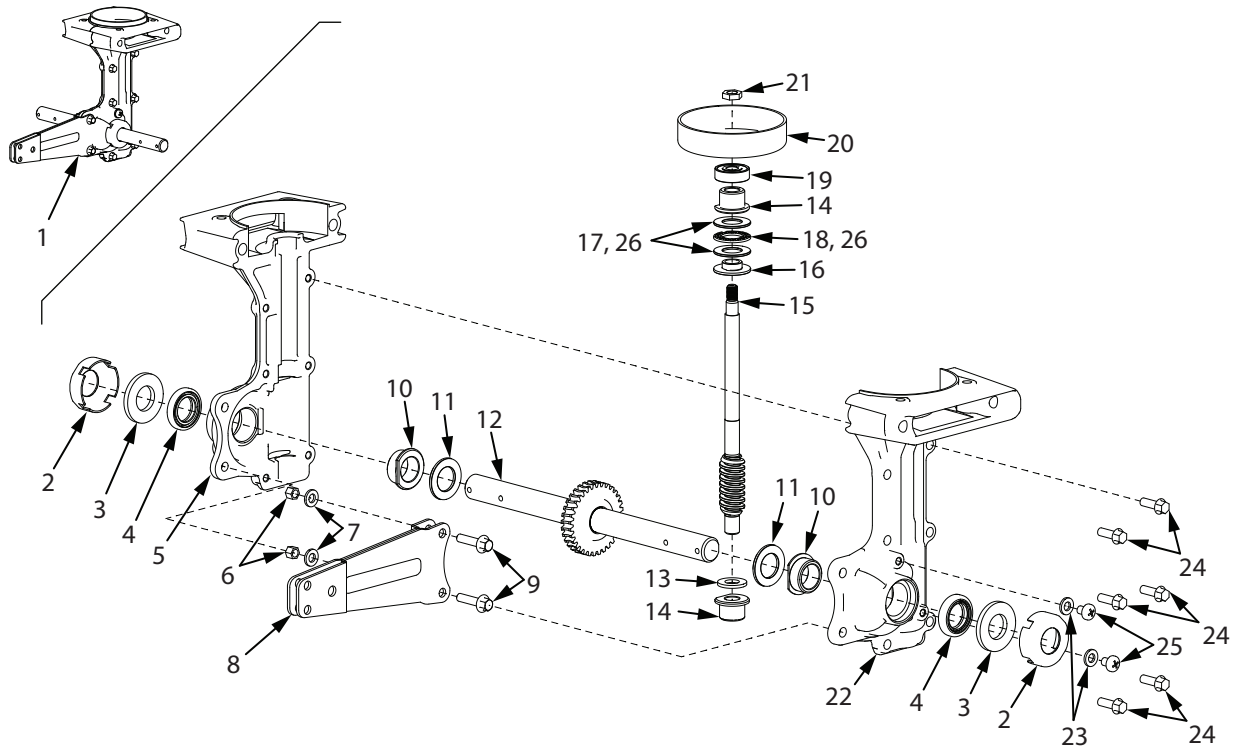


NOMENCLATURE DES PIÈCES DU MOTEUR

REP.	RÉF.	DESCRIPTION	QTÉ
1	26205	VIS M5 X 0,8 X 16 MM AVEC RONDELLE	17
2	13197	COUVERCLE DE FILTRE À AIR	1
3	26996	KIT D'ÉLÉMENTS DE FILTRAGE D'AIR	1
4	400020	ÉCROU-FREIN M5 X 0,8 HHF GR 8.8	2
5	13363	KIT FILTRE À AIR	1
6	23271	TUYAU DE RENIFLARD CRANKCASE	2
7	13394	KIT TUYAUX DE RENIFLARD	1
8	13329	KIT CARBURATEUR	1
9	13299	JOINT DE CARBURATEUR	1
10	13390	KITE SUPPORT DE CARBURATEUR	1
11	13395	TUYAU DE RENIFLARD COUVERCLE DE SOUPAPES	2
12	13400	KIT BOBINE D'ALLUMAGE	1
13	26866	VIS M4 X 0,7 X 20 MM AVEC RONDELLE	2
14	13243	BOUGIE NGK CMR6A	1
15	26867	VIS M5 X 0,8 X 12 MM AVEC RONDELLE	3
16	18497	KIT DE COUVERTURE MOTEUR	1
17	11043	COUVERCLE D'ACCÈS À BOUGIE D'ALLUMAGE	1
18	11044	VIS 4.76 X 12.7 MM	1
19	22631	ÉCROU 4.76 MM	1
20	13298	KIT COUVERCLE DES SOUPAPES	1
21	13324	JOINT DE COUVERCLE DES SOUPAPES	1
22	13244	EMBAYAGE DE LANCEUR	1
23	13342	LANCEUR À CORDON	1

REP.	RÉF.	DESCRIPTION	QTÉ
24	13393	KIT BOUCHON D'HUILE AVEC JOINT TORIQUE	1
25	13202	BOUCLIER THERMIQUE DE SILENCIEUX	1
26	13391	KIT SILENCIEUX	2
27	13181	VIS M5 X 0,8 X 50 MM	1
28	13320	RONDELLE M6 X 10 MM X 1 MM	1
29	19919	VIS M6 X 1,0 X 10 MM	1
30	19236	BOUCHON DE RÉSERVOIR RENIFLARD	1
31	13295	ATTACHE CAOUTCHOUC DE RÉSERVOIR SUPÉRIEURE	1
32	13296	ATTACHE CAOUTCHOUC DE RÉSERVOIR INFÉRIEURE GAUCHE	1
33	13297	ATTACHE CAOUTCHOUC DE RÉSERVOIR INFÉRIEURE DROITE	1
34	13388	KIT RÉSERVOIR D'ESSENCE AVEC CONDUITE	1
35	17992	FILTRE À CARBURANT	1
36	13308	KIT CONDUITES DE CARBURANT	1
37	13241	VOLANT D'INERTIE	1
38	300337	ÉCROU M8 X 1,25 MM	2
39	300462	RONDELLE 15,8 X 8,4 X 1,6 MM	1
40	11235	KIT EMBRAYAGE OD VIPER 76,76 MM	2
41	300449	RONDELLE ÉLASTIQUE M8	2
42	300450	VIS M8 X 1,25 X 25 MM À ÉPAULEMENT 10MM	1
43	26868	COIFFE ET ANNEAU DE FIXATION	1

VUE ÉCLATÉE DU RÉDUCTEUR

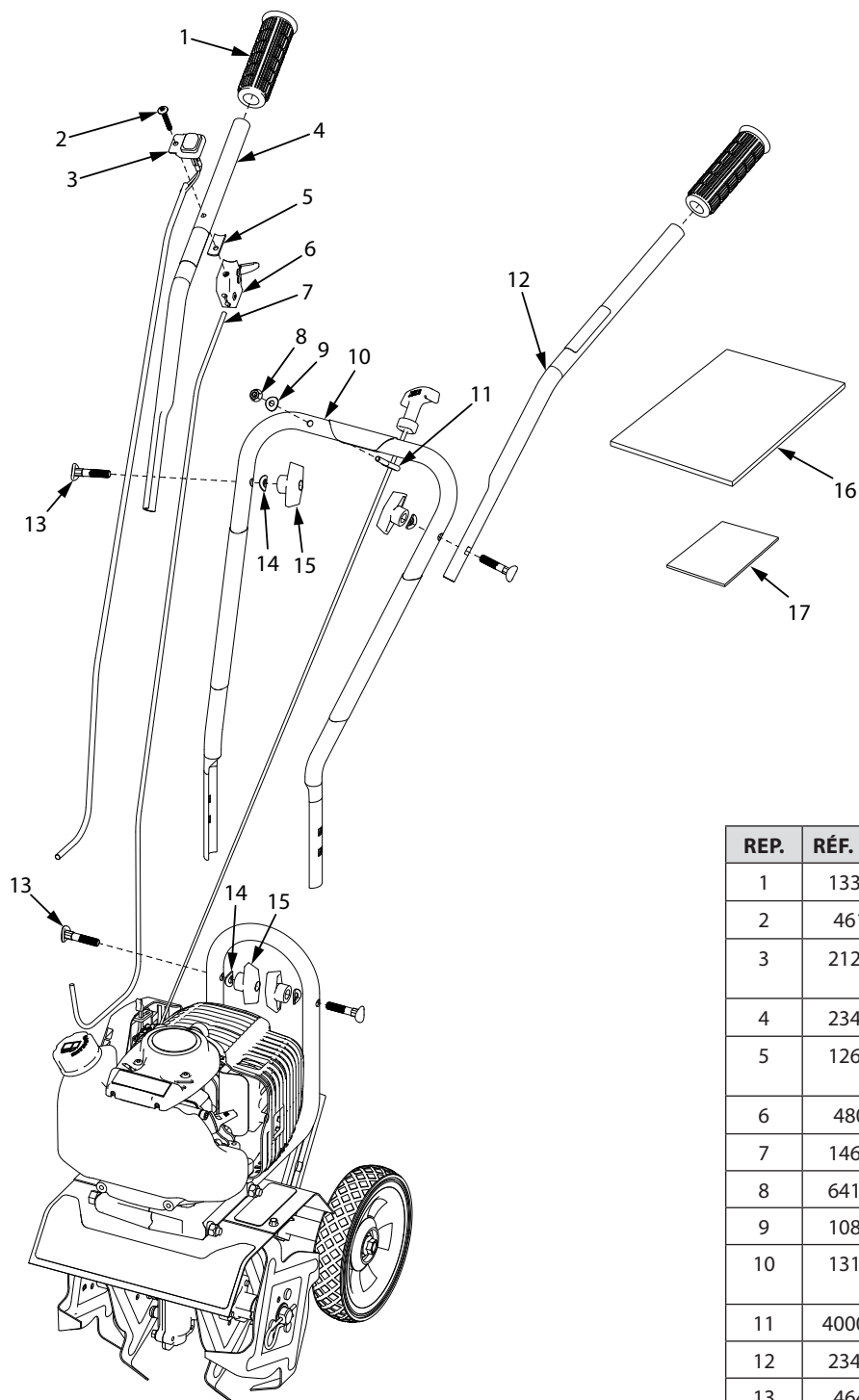


REP.	RÉF.	DESCRIPTION	QTÉ
1	26013	RÉDUCTEUR COMPLET	1
2	46144	CAPUCHON ANTIPOUSSIÈRE	2
3	4606	RONDELLE EN FIBRE	2
4	4646	JOINT D'ARBRE DE FRAISES	2
5*	---	DEMI-CARTER DE RÉDUCTEUR GAUCHE	1
6	4650	ÉCROU-FREIN À BAGUE NYLON M6	2
7	W1200117	RONDELLE M6 X 12 X 1 MM	2
8	4633	SUPPORT DE ROUES ET BARRE DE TRAINÉE	1
9	13600	VIS M6 X 1,0 X 25 HEX À EMBASE	2
10	25159	BAGUE D'ARBRE DE FRAISES, ACIER	2
11	4610	RONDELLE D'ÉPAISSEUR D'ARBRE DE FRAISES	2
12	4651	ARBRE DE FRAISES AVEC PIGNON	1
13	4616	BAGUE D'ESPACEMENT	1

REP.	RÉF.	DESCRIPTION	QTÉ
14	4614	BAGUE D'ARBRE D'ENTRAÎNEMENT, BRONZE	2
15	21953	ARBRE D'ENTRAÎNEMENT	1
16	4617	PALIER DE BUTÉE DE RÉDUCTEUR	1
17	4618	RONDELLE DE BUTÉE	2
18	4619	CAGE DE PALIER DE BUTÉE	1
19	4623	ROULEMENT À BILLES 9 X 26 X 8 MM	1
20	300414	TAMBOUR D'EMBRAYAGE	1
21	4620	CONTRE-ÉCROU M8	1
22*	---	DEMI-CARTER DE RÉDUCTEUR DROIT	1
23	26997	LAVEUSE À CUIVRE M6 X 12 X 1 MM	2
24	4647	VIS M6 X 1,0 X 18 HEX À EMBASE	6
25	13447	VIS M6 X 1,0 X 8 PHILLIPS	2
26	4615	NÉCESSAIRE PALIERS DE BUTÉE	1

* ACHETER LE RÉDUCTEUR COMPLET 26013

VUE ÉCLATÉE DU GUIDON



REP.	RÉF.	DESCRIPTION	QTÉ
1	13309	POIGNÉE À TEXTURE BOSSELÉE	2
2	4618	VIS 10-24 X 1-1/4	1
3	21284	CÂBLE D'INTERRUPTEUR MARCHÉ/ ARRÊT	1
4	23444	BRANCHE DE GUIDON DROITE, GRISE	1
5	12633	TAMPON CAOUTCHOUC DE GUIDON 15 MM X 28,5 MM	1
6	4809	DISPOSITIF DE DÉCLENCHEMENT COURT	1
7	14645	CÂBLE DE COMMANDE DES GAZ	1
8	64131	ÉCROU M6 X 1,0	1
9	10800	RONDELLE INCURVÉE M6	1
10	13190	ARCEAU DE GUIDON INTERMÉDIAIRE, GRIS	1
11	400025	BOULON À CŒIL M6 X 12 X 25	1
12	23445	BRANCHE DE GUIDON GAUCHE, GRISE	1
13	4642	VIS DE SERRAGE À OREILLES	4
14	4641	RONDELLE	4
15	4640	ÉCROU À BOUTON EN TÉ	4
16	23438	MANUEL D'INSTRUCTIONS PIÈCES SAC	1
17	12621	PIÈCES DE QUINCAILLERIE	1

INSTALLATION DU NÉCESSAIRE COUPE-BORDURE 15073 (ACCESSOIRE EN OPTION)

Le coupe-bordure est un outil utile pour réaliser des coupes nettes de la pelouse le long des bordures de jardins, des plate-bandes, des allées et des voies de garage afin de produire une apparence impeccable. Le nécessaire coupe-bordure s'installe de la façon suivante :

INSTALLATION

1. Pour s'assurer que la motobineuse n'est pas en marche, placer l'interrupteur MARCHE/ARRÊT en position **ARRÊT**.
2. Retirer les goupilles en épingle des deux côtés de l'arbre de fraises.
3. Retirer les fraises de l'arbre.
4. Retirer la barre de trainée et la goupille d'arrêt de la machine.
5. Ranger les fraises et conserver les deux (2) goupilles en épingle, elle sont utilisées avec le coupe-bordure.
6. Enfiler la fraise coupe-bordure sur un côté ou sur l'autre de l'arbre de fraises. S'assurer que le collier de moyeu de la fraise coupe-bordure soit vers l'extérieur, du côté opposé au réducteur. **VOIR FIGURE 13**
7. Enfiler les deux (2) goupilles en épingle conservées à l'étape 4 dans les trous intérieur et extérieur de l'arbre de fraises de part et d'autre de la fraise coupe-bordure pour la tenir en place sur l'arbre. **VOIR FIGURE 13**
8. Enfiler la roue de coupe-bordure à fond sur le côté opposé de l'arbre de fraises.
9. Enfiler la goupille en épingle restante, celle fournie avec le nécessaire, dans le trou intérieur pour attacher la roue. **VOIR FIGURE 13**
10. Régler les roues de la motobineuse dans la position **LA PLUS HAUTE**. **VOIR FIGURE 5 (PAGE 11)**.

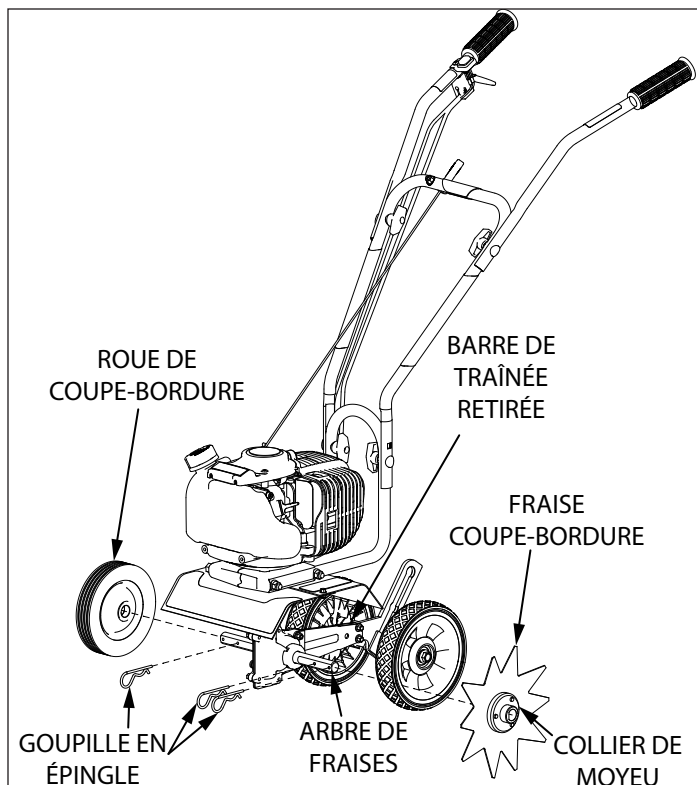


FIGURE 13

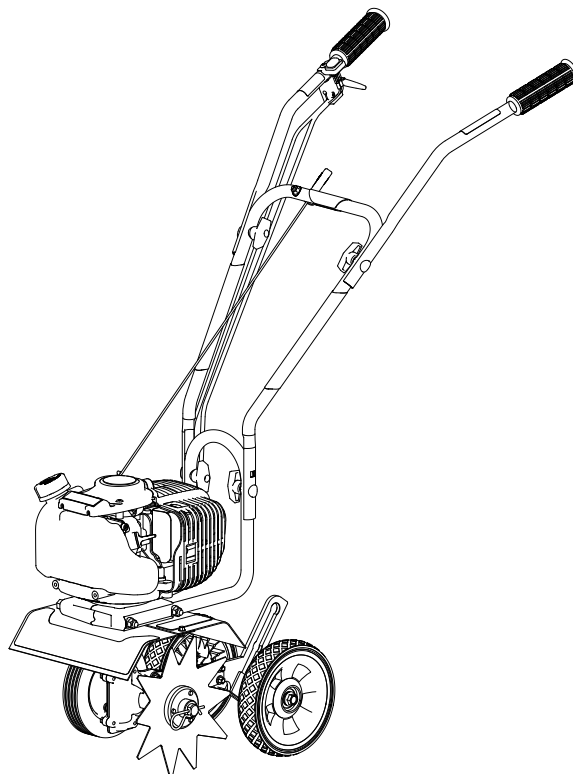
LISTE DES PIÈCES

REPÈRE	N° RÉF.	DESCRIPTION	QTÉ
1	15009	FRAISE COUPE-BORDURE	1
2	46131	ROUE DE COUPE-BORDURE	1
3	46134	GOUPILLE EN ÉPINGLE	1



ATTENTION

LA MOTOBINEUSE PEUT ÊTRE PROJETÉE VERS LE HAUT OU FAIRE UN BOND EN AVANT DE FAÇON INATTENDUE SI LES FRAISES HEURTENT DU BÉTON, DE LA CHAUSSEE OU D'AUTRES SURFACES DURES OU OBSTACLES DURS ENTERRÉS.



INSTALLATION DU NÉCESSAIRE SCARIFICATEUR DK43 (ACCESSOIRE EN OPTION)

Le scarificateur est un outil très efficace pour arracher les couches excessives de chaume qui peuvent empêcher l'humidité, l'oxygène et les substances nutritives de pénétrer la terre et peuvent abriter des maladies et des insectes. Utiliser au printemps, en été et à l'automne pour redonner vie et couleurs à la pelouse.

1. Mettre l'interrupteur MARCHE/ARRÊT en position **ARRÊT**. Retirer les fraises de binage ou autre outil éventuel et la barre de traînée.
2. Dévisser les vis et écrous de fixation du support de roues sur la monture de barre de traînée et mettre le support de roue de côté. **VOIR FIGURE 14**
3. Enfiler le capot de scarificateur sur le garde-boue de la machine par l'arrière et l'attacher avec des vis et des écrous. **VOIR FIGURES 14 ET 15**
4. Fixer la partie inférieure du capot de scarificateur au support de barre de traînée à l'aide de la goupille d'arrêt. **VOIR FIGURES 14 ET 15**
5. Poser la plaque de rallonge de roue (4676) à l'aide des vis (46142) et écrous (4650) supplémentaires. S'assurer que la rallonge de roue est dans le bon sens (le côté avec les deux trous le long du bord se raccorde à la monture de barre de traînée). **VOIR FIGURE 14**
 - a. Attacher la rallonge de roue à la monture de barre de traînée avec les vis et écrous de la machine.
 - b. Attacher le support de roue à la rallonge de roue avec les vis et écrous fournis avec le nécessaire scarificateur.
6. Enfiler les éléments de scarificateur droit et gauche sur l'arbre de fraises en veillant à placer l'élément droit du côté droit et l'élément gauche du côté gauche, vu depuis la position de conduite. **VOIR FIGURE 16**
7. Attacher les éléments de scarificateur en plaçant les deux goupilles en épingle (46134) fournies avec le nécessaire dans les trous intérieurs de l'arbre de fraises. **VOIR FIGURE 16**

REMARQUE: La barre de traînée ne doit PAS être utilisée avec le scarificateur.

REPÈRE	N° RÉF.	DESCRIPTION	QTÉ
1	46134	GOUIPILLE EN ÉPINGLE	2
2	4647	VIS M6 X 1,0 X 18 TÊTE HEX À EMBASE	2
3	4650	ÉCROU-FREIN À BAGUE NYLON M6	2
4	4676	PLAQUE DE RALLONGE SCARIFICATEUR	1
5	4707	SCARIFICATEUR GAUCHE	1
6	4708	SCARIFICATEUR DROIT	1
7	4710	CAPOT DE SCARIFICATEUR	1

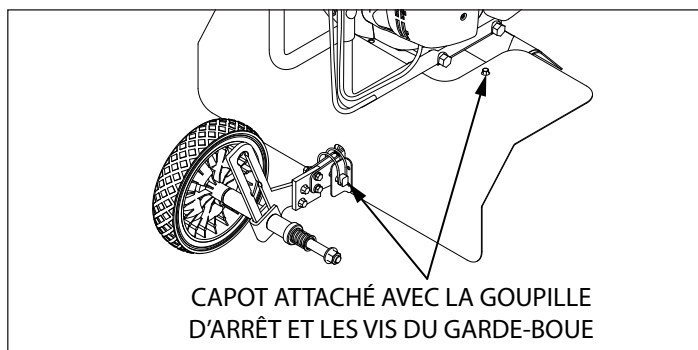


FIGURE 15

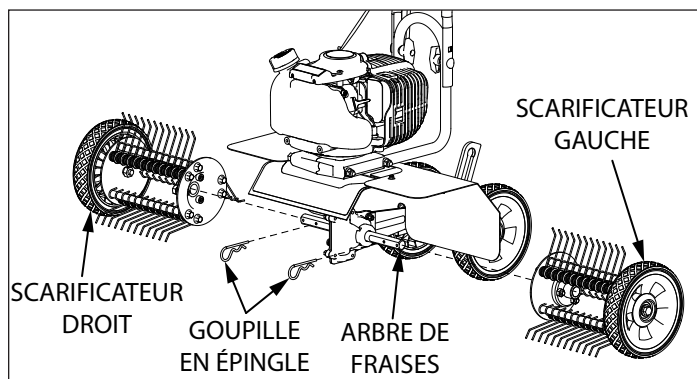


FIGURE 16

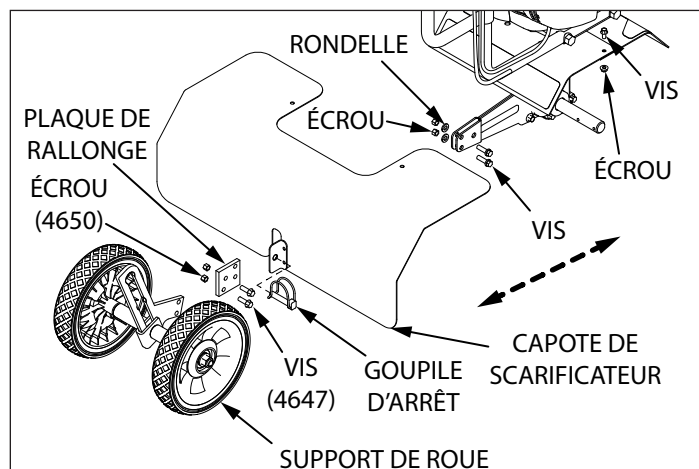
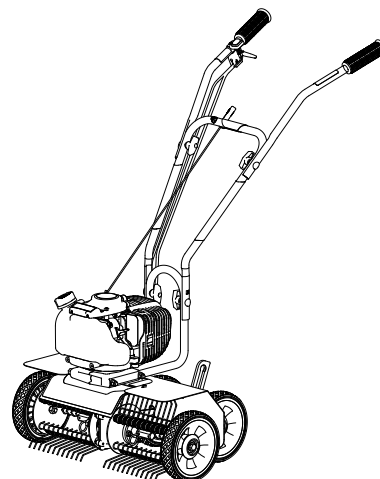


FIGURE 14





MODALITÉS ET CONDITIONS DE LA GARANTIE

Ardisam, Inc. (Ardisam) couvre cette motobineuse par une garantie limitée de cinq ans pièces et main-d'œuvre pendant une durée maximale de soixante mois consécutifs à compter de la date de l'achat initial par le premier acheteur au détail ou utilisateur commercial. La présente garantie ne s'applique pas au moteur monté sur le produit. Se reporter à la garantie EPA pour les détails de la garantie du moteur. L'« usage grand public » fait référence à une utilisation personnelle à des fins récréatives par un acheteur au détail. L'« usage commercial », ou « application commerciale », correspond à toutes les autres utilisations, notamment à des fins commerciales, lucratives ou de location. Une fois que le produit a fait l'objet d'un usage commercial, il sera toujours considéré par la suite comme étant un produit à usage commercial pour les besoins de la garantie. Cette garantie s'applique au propriétaire original qui fournit une preuve d'achat. La présente garantie n'est pas transférable. La période de garantie débute à la date d'achat par le premier acheteur au détail ou utilisateur commercial et s'étend ensuite sur une durée de soixante mois consécutifs. Tout article utilisé dans le cadre d'une activité commerciale est couvert pendant une durée de 90 jours après l'achat par le premier utilisateur commercial. Pour que la garantie soit valable, le produit doit être enregistré en ligne dans les 30 jours après l'achat ou la carte de garantie doit être remplie et reçue par Ardisam dans les 30 jours après l'achat. Ardisam n'est sous aucune obligation d'assumer des frais de transport liés à une réparation ou un échange en vertu de la présente garantie. L'acheteur assume l'entière responsabilité des frais de transport.

La présente garantie exclut les frais pour des raisons d'usure normale, les pièces d'usure telles que les roues, poignées et câbles, les articles d'entretien courant tels que les éléments filtrants, joints toriques, joints d'étanchéité, lubrifiants et mises au point, les pièces tournantes, les pièces accessoires telles que charrues-buttes, nécessaires coupe-bordure et nécessaires scarificateurs, et l'utilisation de la motobineuse avec de l'essence pure ou un mélange essence-huile dans une proportion autre que 50:1. L'emploi abusif, notamment l'utilisation de la motobineuse à des fins autres que celles pour lesquelles elle a été conçue et fabriquée, la poursuite de l'utilisation de la motobineuse après un changement soudain dans les vibrations, l'utilisation de la motobineuse en infraction avec les codes et réglementations en vigueur et les bonnes pratiques commerciales invalident la présente garantie. *Ces garanties s'appliquent uniquement à des produits qui n'ont pas subi une utilisation négligente, abusive ou détournée, une surcharge, une installation incorrecte, une altération, un accident, la foudre, une catastrophe naturelle (ou autres événements échappant au contrôle d'Ardisam), du vandalisme, des pièces non homologuées, l'utilisation d'une source d'alimentation incorrecte ou des réparations effectuées par un service de réparation non agréé. Ces garanties ne couvrent pas les dommages liés à l'usure normale, aux pièces et services d'entretien normaux, à la foudre; ni une installation, une exploitation, un entreposage ou un entretien incorrects; ni une exploitation du matériel au-delà des maxima recommandés tels qu'ils figurent dans le présent manuel et dans le manuel du moteur joint.

La présente garantie limitée s'applique aux défauts de pièces et main-d'œuvre du produit seulement. Il n'existe aucune autre garantie expresse. Les garanties implicites, y compris celles de qualité marchande et d'adaptation à un emploi particulier, sont limitées à un an à compter de la date d'achat ou dans la mesure prévue par la loi. Toutes les autres garanties implicites sont exclues. La responsabilité de dommages indirects ou accessoires est exclue dans la mesure où l'exclusion est autorisée par la loi. Ardisam n'assume aucune responsabilité, et n'autorise personne à assumer au nom d'Ardisam une quelconque responsabilité, en rapport avec la vente des produits Ardisam. **Pour être effectués « sans frais », les travaux sous garantie doivent être confiés directement à Ardisam ou à un centre de service de garantie Ardisam.** Pour recourir aux services de réparation ou de remplacement sous garantie, s'adresser au service après-vente d'Ardisam au 800-345-6007. Avant d'envoyer le produit à Ardisam pour une réparation sous garantie, l'accord préalable d'Ardisam doit être obtenu en appelant notre service après-vente pour recevoir un numéro d'autorisation de renvoi de matériel (RMA#). Sous ces circonstances, tous les articles doivent être envoyés en port payé. Ardisam, à son entière discrétion, réparera ou remplacera sans frais toute pièce défectueuse à laquelle s'applique la présente garantie. Ardisam se réserve le droit de modifier les modèles, les caractéristiques et les prix sans préavis. Ardisam n'est sous aucune obligation d'expédier un produit réparé ou échangé à une quelconque adresse en dehors des États-Unis d'Amérique et du Canada. Certains pays et provinces n'autorisent pas la limitation de la durée d'une garantie implicite, ni l'exclusion ou la limitation des dommages indirects ou accessoires, par conséquent les limites ci-dessus peuvent ne pas s'appliquer à vous. La présente garantie vous accorde des droits juridiques particuliers et vous pouvez jouir d'autres droits susceptibles de varier d'une province ou d'un pays à l'autre.

INTRODUCCIÓN

Felicitaciones por su inversión en calidad. Gracias por adquirir el cultivador de 4 ciclos de *Earthquake*®. Hemos trabajado para asegurar que este cultivador cumpla con los más altos estándares de uso y durabilidad. Con el cuidado adecuado, su cultivador le proporcionará muchos años de servicio.

Lea el manual completo antes de la instalación y uso. *Earthquake* se reserva el derecho de cambiar, alterar o mejorar el producto y este documento en cualquier momento y sin previo aviso.

CONTENIDOS

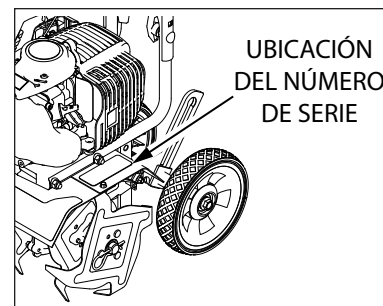
Registro.....	1
Advertencias y precauciones de seguridad.....	2-6
Características y especificaciones.....	7
Desempaque y montaje.....	8
Funcionamiento.....	8-12
Mantenimiento y almacenamiento.....	12-14
Solución de problemas y reparación.....	15-16
Lista detallada de piezas.....	17-21
Instalación del kit de bordeadora 15073.....	22
Instalación del kit de escarificador DK43.....	23
Garantía.....	24

LA INFORMACIÓN FEDERAL SOBRE EMISIONES

Earthquake garantiza al comprador minorista que este pequeño motor todo terreno se diseñó, fabricó y equipó para cumplir, al momento de la venta inicial, todas las normas vigentes de la Agencia de Protección Ambiental (EPA, Environmental Protection Agency) de EE. UU.

INSCRIPCIÓN Y SERVICIO

Registre el número de modelo y número de serie del motor en el espacio que se proporciona para facilitar su consulta cuando solicite piezas o asistencia técnica. Con excepción de los elementos de la garantía relacionados con las emisiones, la garantía es válida solo si Ardisam recibe la inscripción llena dentro de 30 días a partir de la compra. **(PARA OBTENER MÁS INFORMACIÓN, CONSULTE LA SECCIÓN DE GARANTÍA).** Puede inscribir su garantía en línea en www.getearthquake.com, o enviarla por correo a: Ardisam, 1160 Eighth Avenue, Cumberland, WI 54829. Si no tiene una computadora, comuníquese con el Departamento de Servicio al Cliente al (800) 345-6007 de lunes a viernes, desde las 8:00 a.m. a las 5:00 p.m. CST.



REGISTROS DE PROPIEDAD		
Nombre del propietario:		
Dirección del propietario:		
Ciudad:	Estado o provincia:	Código postal:
Número de modelo:	Número de serie:	
Fecha de la adquisición:		
Notas:		

Es posible que este manual contenga información para varios modelos. Lea y conserve este manual para futuras consultas. Este manual contiene información importante sobre SEGURIDAD, MONTAJE, FUNCIONAMIENTO Y MANTENIMIENTO. El propietario debe asegurarse de que toda la información del producto venga incluida con la unidad. Esta información incluye el MANUAL, las PIEZAS DE REPUESTO y las GARANTÍAS. Esta información debe estar incluida para asegurarse de que se cumplan las leyes estatales y otras leyes. Este manual debe permanecer con el producto, aunque se venda.

ADVERTENCIAS Y PRECAUCIONES DE SEGURIDAD

RESPONSABILIDAD DEL PROPIETARIO

Es de responsabilidad del propietario realizar un ensamble preciso y seguro, y darle un uso eficaz a la máquina.

- Lea y siga todas las instrucciones de seguridad.
- Siga cuidadosamente todas las instrucciones de ensamble.
- Realizar mantenimiento a la máquina de acuerdo con las indicaciones y el programa que se incluye en este manual del operador de *Earthquake*.
- Asegurarse de que las personas que usen la máquina estén familiarizadas con todos los controles y las precauciones de seguridad.

MENSAJES ESPECIALES

Su manual contiene mensajes especiales para llamar su atención respecto de posibles problemas de seguridad o daños a la máquina, al igual que información útil de operación y mantenimiento. Lea cuidadosamente toda la información para evitar lesiones y daños a la máquina.

NOTA: *En el manual se entrega información general que puede ser útil para el operador para la operación o mantenimiento de la máquina.*



Este símbolo indica instrucciones importantes de seguridad que si no se siguen, podrían poner en peligro su seguridad personal. Lea y siga las instrucciones de este manual antes de intentar operar este equipo.

ANTES DE OPERAR EL MOTOR:

Lea cuidadosamente esta sección. Lea todas las instrucciones de operación y mantenimiento de este producto. Si no sigue las instrucciones, se pueden producir lesiones graves o la muerte. Opere la máquina de acuerdo con las instrucciones de seguridad que se describen aquí y que se encuentran insertas en el texto. Toda persona que use esta máquina debe leer las instrucciones y estar familiarizada con los controles.

Uso previsto o uso incorrecto previsible

IMPORTANTE: Este es un cultivador giratorio motorizado que trabaja el suelo mediante dientes giratorios. Es un producto de control personal, sin autopropulsión, con motor de combustión interna a gasolina para impulsar los dientes. No se usará para ningún otro propósito.



AVISO

AVISO INDICA QUE SU EQUIPO PUEDE SER DAÑADO SI NO SE OBEDECEN LAS INSTRUCCIONES DE SEGURIDAD QUE SIGUEN ESTA PALABRA DE SEÑAL.



PRECAUCIÓN

PRECAUCIÓN INDICA QUE SI NO SE SIGUEN LAS INSTRUCCIONES DE SEGURIDAD A CONTINUACIÓN DE ESTA PALABRA DE SEÑALIZACIÓN, USTED O EL EQUIPO PUEDEN RESULTAR DAÑADOS.



ADVERTENCIA

ADVERTENCIA INDICA UN PELIGRO QUE, SI NO SE EVITA, PUEDE PROVOCAR LA MUERTE, LESIONES GRAVES O DAÑOS A LA PROPIEDAD.



PELIGRO

EL PELIGRO INDICA UN PELIGRO QUE, SI NO SE EVITA, DETERMINARÁ DETERMINAMENTE LA MUERTE O DAÑOS GRAVES Y / O DAÑOS A LA PROPIEDAD.

IMPORTANTE

IMPORTANTE INDIQUE INFORMACIÓN ÚTIL PARA UNA INSTALACIÓN, OPERACIÓN O MANTENIMIENTO ADECUADO DE SU EQUIPO.



ADVERTENCIA

PROPUESTA DE ADVERTENCIA 65 DE CALIFORNIA

EL ESCAPE DEL MOTOR DE ESTE PRODUCTO CONTIENE PRODUCTOS QUÍMICOS, QUE SEGÚN EL ESTADO DE CALIFORNIA PUEDEN PRODUCIR CÁNCER, DEFECTOS DE NACIMIENTO U OTROS DAÑOS REPRODUCTIVOS.



ADVERTENCIA

DEBE LEER, COMPRENDER Y CUMPLIR CON TODAS LAS INSTRUCCIONES DE SEGURIDAD Y OPERACIÓN DE ESTE MANUAL ANTES DE INTENTAR INSTALAR Y OPERAR SU MÁQUINA.

SI NO CUMPLE CON TODAS LAS INSTRUCCIONES DE SEGURIDAD Y OPERACIÓN PUEDE PROVOCARSE LA PÉRDIDA DE CONTROL DEL MECANISMO, LESIONES PERSONALES GRAVES A USTED O A QUIENES SE ENCUENTREN CERCA Y EL RIESGO DE PROVOCAR DAÑOS AL EQUIPO O A LA PROPIEDAD. EL TRIÁNGULO EN EL TEXTO SIGNIFICA QUE SE DEBEN SEGUIR PRECAUCIONES O ADVERTENCIAS IMPORTANTES.

REGLAS GENERALES DE SEGURIDAD

- Lea, comprenda y siga todas las instrucciones que aparecen en la máquina y en los manuales. Familiarícese completamente con los controles y con el uso adecuado de la máquina antes de arrancarla.
- Use este equipo solo para el propósito para el que fue diseñado.
- Familiarícese con todas las calcomanías de seguridad y de operación en este equipo y en cualquiera de sus acoplamientos o accesorios.
- No coloque las manos ni los pies cerca o debajo de piezas giratorias.
- Solo permita que personas responsables, que estén familiarizados con las instrucciones, operen la máquina. No permita que niños operen esta máquina. No permita que adultos operen la máquina sin la instrucción adecuada.
- Inspeccione completamente el área donde se va a usar la máquina y elimine todos los objetos extraños. El equipo puede lanzar objetos pequeños a alta velocidad, provocando lesiones personales o daños a la propiedad. Aléjese de los objetos que se rompan tales como ventanas de la casa, automóviles, invernaderos, etc.
- Use ropa adecuada, como una camisa o chaqueta con mangas largas. También use pantalones largos. No use pantalones cortos. Nunca use sandalias, zapatillas o zapatos abiertos y nunca opere la máquina con los pies descalzos.
- No use ropa suelta ni joyas. Estas pueden quedar atrapadas en piezas móviles. Siempre mantenga las manos, los pies, el cabello y la ropa suelta lejos de las piezas móviles del motor y de la máquina.
- Siempre use gafas o lentes de seguridad con protectores laterales cuando opere la máquina, para proteger sus ojos de objetos extraños que se puedan lanzar desde la unidad. Siempre use un dispositivo de protección auditiva.
- Siempre use guantes de trabajo y calzado resistente. Use calzado que mejore el equilibrio en superficies resbaladizas. Los zapatos de trabajo de cuero o las botas cortas funcionan bien para la mayoría de las personas. Estos protegerán los tobillos y canillas del operador de pequeños palos, astillas y otros residuos.
- Se aconseja usar casco protector para evitar la posibilidad de que lo golpeen pequeñas partículas que puedan ser expulsadas o que lo golpeen ramas o ramas pequeñas que cuelguen bajas, u otros objetos que puedan pasar inadvertidos por el operador.
- No opere la máquina sin las protecciones adecuadas u otros dispositivos protectores de seguridad.
- Consulte las instrucciones del fabricante para la operación e instalación adecuada de los accesorios. Solo use accesorios aprobados por el fabricante.
- Solo opere con luz de día o buena iluminación artificial.
- No opere el producto cuando se sienta cansado o esté bajo la influencia del alcohol, drogas ni otro medicamento que pueda provocar somnolencia o afectar su capacidad de operar esta máquina de manera segura.

- Nunca opere la máquina en el pasto húmedo. Siempre asegure su equilibrio; sujete firmemente el manubrio y camine; nunca corra.
- Tenga cuidado cuando opere el cultivador cerca del tráfico o cuando cruce caminos.
- Si el equipo comienza a vibrar de manera anormal, detenga el motor (motor), y coloque el interruptor ON/OFF en la posición **OFF**. Busque inmediatamente la causa. Por lo general, la vibración es una advertencia de problemas. Si el ruido o las vibraciones de la máquina aumentan, deténgala inmediatamente y realice una inspección.
- Nunca deje la máquina sin supervisión cuando el motor está funcionando. Coloque el interruptor ON/OFF en la posición **OFF**.
- Inspeccione regularmente la máquina. Asegúrese de que las piezas no están dobladas, dañadas ni sueltas.
- La temperatura del silenciador y las áreas cercanas puede exceder los 150° F. Permita que el silenciador y las áreas del motor se enfríen antes de tocarlas. Nunca levante ni transporte la máquina mientras el motor está funcionando.
- Se debe evitar la exposición prolongada al ruido y la vibración de los equipos accionados por motor a gasolina. Tome descansos intermitentes o use protección auditiva contra el ruido del motor, además de guantes de trabajo pesado para reducir la vibración en las manos.
- Mantenga apretados todos los tornillos, tuercas y pernos.
- No transporte la máquina desde un lugar a otro con el motor funcionando.
- Cuando traslade la máquina embalada, siempre hágalo con otra persona.
- Consulte los reglamentos locales para conocer las restricciones de edad para el uso de esta máquina.

REGLAS DE SEGURIDAD ESPECÍFICAS DEL PRODUCTO

- No cultive sobre servicios subterráneos, como tuberías de agua, tuberías de gas, cables eléctricos o tuberías. No opere la máquina en suelos o terrenos con rocas grandes ni objetos extraños que puedan dañar el equipo.
- Después de golpear un objeto extraño, detenga el motor. Coloque el interruptor de encendido y apagado en la posición **Apagado**. Revise si hay daños en la máquina. Si hay daños, repárelos antes de arrancar y operar la máquina.
- Los dientes del cultivador no deben girar cuando el motor esté en ralentí. Si gira cuando el motor está en ralentí, comuníquese con el servicio al cliente de *Earthquake* para solicitar instrucciones.
- Si un objeto de atasca en los dientes, coloque el interruptor de encendido y apagado en la posición **Apagado**, deje que la máquina se enfríe antes de intentar retirar el objeto extraño.
- El embrague transferirá la potencia máxima después de dos horas de funcionamiento normal. Durante este período de rodaje, se puede producir el deslizamiento del embrague. El embrague se debe mantener libre de aceite u otros tipos de humedad para un funcionamiento eficaz.

 **PELIGRO**

LOS MOTORES EMITEN MONÓXIDO DE CARBONO, UN GAS VENENOSO INODORO E INCOLORO. EL MONÓXIDO DE CARBONO PUEDE ESTAR PRESENTE INCLUSO SI NO HUELE NI OBSERVA NINGUNA EMISIÓN EN EL ESCAPE DEL MOTOR. INHALAR MONÓXIDO DE CARBONO PUEDE PROVOCAR NÁUSEAS, DESMAYOS O LA MUERTE, ADEMÁS DE SOMNOLENCIA, MAREOS Y CONFUSIÓN.

SI PRESENTA ALGUNO DE ESTOS SÍNTOMAS, BUSQUE AIRE FRESCO Y ACUDA AL MÉDICO DE INMEDIATO.

PRECAUCIONES DE SEGURIDAD DEL MOTOR

Si el producto viene con un manual del motor separado, asegúrese de leerlo y seguir todas las precauciones de seguridad y advertencia que se indican en él, además de las que aparecen en este manual.

Prevención de intoxicación por monóxido de carbono

- Siempre arranque y haga funcionar el motor en el exterior. No arranque ni haga funcionar el motor en un espacio cerrado, incluso si las puertas o ventanas están abiertas.
- Nunca intente ventilar el escape del motor en el interior. El monóxido de carbono puede alcanzar niveles peligrosos rápidamente.
- Nunca arranque el motor en el exterior donde los gases de escape puedan ingresar a un edificio.
- Nunca arranque el motor en el exterior en un área poco ventilada donde los gases de escape puedan quedar atrapados o no se puedan sacar fácilmente (algunos ejemplos: en una excavación grande o en lugares donde las colinas rodean su área de trabajo).
- Nunca arranque el motor en un espacio cerrado o parcialmente cerrado (algunos ejemplos: edificios cerrados en uno o más lados, en tiendas de campaña, cocheras o sótanos).
- Siempre arranque el motor con el escape y el silenciador apuntando en dirección contraria al operador.
- Nunca apunte el silenciador o escape hacia alguien. Las personas siempre deben estar bastante lejos de la operación del motor y sus acoplamientos.
- No cambie los ajustes del regulador del motor ni acelere demasiado el motor.

Incendios de gasolina y manipulación segura del combustible

Tenga mucho cuidado cuando manipule gasolina y otros combustibles. Ellos son inflamables y los vapores son explosivos.

- Cuando almacene combustible adicional, asegúrese de hacerlo en un recipiente adecuado y lejos de cualquier peligro de incendio.
- Evite incendios y explosiones provocados por la descarga eléctrica estática. Use solamente recipientes para combustibles portátiles y no metálicos, aprobados por el

 **PRECAUCIÓN**

LOS GASES CALIENTES SON UN SUBPRODUCTO NORMAL DE UN MOTOR DE COMBUSTIÓN INTERNA EN FUNCIONAMIENTO. SIGA TODAS LAS INSTRUCCIONES DE SEGURIDAD PARA EVITAR QUEMADURAS E INCENDIOS.

 **ADVERTENCIA**

NUNCA ALTERE NI MODIFIQUE EL MOTOR AL RECIBIRLO DE LA FÁBRICA. SE PUEDEN PRODUCIR LESIONES GRAVES O LA MUERTE SI SE MODIFICA O ALTERA EL MOTOR.

CUANDO TRABAJE EN PIEZAS DE REPUESTO PARA EL MOTOR O PRODUCTO, SIEMPRE DEBE COLOCAR EL INTERRUPTOR ON/OFF EN LA POSICIÓN OFF.

Laboratorio de Aprobadores (U.L., Underwriter's Laboratory) o la Asociación estadounidense para pruebas y materiales (ASTM, American Society for Testing & Materials).

- Siempre llene el tanque de combustible en el exterior, en un área bien ventilada. Nunca llene el tanque de combustible en el interior (algunos ejemplos: en el sótano, el garaje, el granero, el cobertizo, la casa, el porche, etc.). Nunca llene el tanque cerca de equipos que tengan luces pilotos, calentadores u otras fuentes de encendido. Si tiene que vaciar el combustible, esto se debe realizar en el exterior. El combustible vaciado se debe almacenar en un recipiente específicamente diseñado para almacenar combustible o se debe desechar cuidadosamente.
- Nunca saque la tapa del depósito de combustible ni agregue combustible con el motor funcionando. Detenga el motor y deje enfriar antes de llenarlo.
- Nunca vacíe el combustible del motor en un espacio cerrado.
- Siempre limpie el exceso de combustible (derramado) del motor antes de arrancarlo. Limpie inmediatamente el combustible derramado. Si se derrama combustible, no arranque el motor sino que saque el producto y el recipiente de combustible del área. Limpie el combustible derramado, deje que se evapore y seque después de limpiar y antes de arrancar.
- Deje que los gases o vapores de combustible se ventilen del área antes de arrancar el motor.
- Compruebe que la tapa del depósito de combustible esté instalada correctamente antes de arrancar y usar el motor.
- Siempre arranque el motor con la tapa del depósito de combustible instalada correctamente en el motor.
- Nunca fume mientras rellene el tanque de combustible del motor.
- No almacene el motor con combustible en el tanque en interiores. El combustible y los vapores de combustible son muy explosivos.
- Nunca vierta combustible desde el tanque de combustible del motor.

- Nunca extraiga el combustible con la boca para vaciar el tanque de combustible.
- Un adulto siempre debe llenar el tanque de combustible y nunca debe permitir que niños llenen el motor.
- Nunca permita que un adulto u otra persona bajo la influencia de las drogas o el alcohol llene el motor.
- Cuando almacene gasolina o equipos con combustible en el tanque, hágalo lejos de calderas, estufas, calentadores de agua u otros equipos que tengan una luz piloto u otra fuente de encendido, ya que pueden inflamar los vapores de la gasolina.

QUEMADURAS E INCENDIOS

El silenciador, la protección del silenciador y otras piezas del motor se calientan muchísimo durante el funcionamiento del motor. Estas piezas permanecen muy calientes después de detener el motor.

Prevención de quemaduras e incendios

- Nunca retire la protección del silenciador del motor.
- Nunca toque la protección del silenciador porque está muy caliente y provocará quemaduras graves.
- Nunca toque las piezas del motor que se calientan después del funcionamiento.
- Siempre mantenga materiales y residuos alejados de la protección del silenciador y de otras piezas calientes del motor para evitar incendios.

NIÑOS Y PERSONAS QUE LO RODEAN

Pueden ocurrir accidentes trágicos si el operador no está alerta a la presencia de niños o personas que lo rodean. Nunca suponga que los demás permanecerán donde los vio por última vez.

- Mantenga el área de operación sin personas, especialmente niños y mascotas. Mantenga a los niños bajo el cuidado atento de un adulto responsable.
- Esté alerta y apague la máquina si hay niños en el área.
- Antes y mientras se mueve marcha atrás, mire detrás de usted y hacia abajo para asegurarse de que no haya niños pequeños.
- Nunca permita que los niños operen la máquina.
- Tenga mucho cuidado cuando se aproxime a curvas cerradas, arbustos, árboles u otros objetos que dificulten la visibilidad.

MANTENIMIENTO

- Siempre detenga el motor cada vez que deje el equipo, antes de limpiar, reparar o inspeccionar la unidad. El motor debe apagarse y enfriarse. Nunca realice ajustes ni reparaciones con el motor funcionando. Coloque el interruptor de encendido y apagado en la posición **Apagado** para evitar el arranque accidental.
- Siempre use protección para los ojos cuando realice ajustes o reparaciones.
- Mantenga apretados todos los pernos y tuercas y mantenga

el equipo en buenas condiciones.

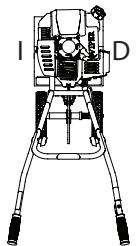
- Nunca altere los dispositivos de seguridad. Revise regularmente que funcionen correctamente.
- Cuando realice mantenimiento o reparaciones a la máquina, no vuelque ni eleve la máquina a menos que se indique específicamente en este manual. Los procedimientos de mantenimiento y reparación se pueden realizar con la máquina en una posición vertical. Algunos procedimientos serán más fáciles de realizar si la máquina se levanta en una plataforma o superficie elevada de trabajo.
- Para reducir el riesgo de incendio, mantenga la máquina libre de pasto, hojas y la acumulación de otros residuos. Limpie los derrames de aceite o combustible. Permita que la máquina se enfríe antes de almacenarla.
- Deténgase e inspeccione el equipo si golpea un objeto. Repare, si es necesario, antes de volver a arrancar.
- Limpie y reemplace las calcomanías de seguridad e instrucción, según sea necesario.
- Inspeccione la máquina antes de guardarla. Cuando no esté en uso, coloque el interruptor de encendido y apagado en la posición **Apagado** y guarde en interiores en un lugar seco bajo llave o en un lugar inaccesible para los niños.
- Use solo piezas originales de equipos de *Earthquake*, como tuercas y pernos.

AVISO

LOS COSTADOS DERECHO E IZQUIERDO DEL CULTIVADOR SE DETERMINAN DESDE LA POSICIÓN DE OPERACIÓN, MIRANDO HACIA DELANTE EN EL SENTIDO DE AVANCE.

EL MOTOR DE 2 CICLOS USA UNA PROPORCIÓN DE GASOLINA A ACEITE DE 50:1.

NO USE GASOLINA PURA SIN MEZCLAR, DE LO CONTRARIO DAÑARÁ EL MOTOR.




CALCOMANÍAS DE SEGURIDAD

Este cultivador MC440 está diseñado y fabricado para proporcionarle la seguridad y confiabilidad que esperaría de una empresa líder en la fabricación de equipos de potencia para exteriores.

Leer este manual y las instrucciones de seguridad que contiene le entregará el conocimiento básico necesario para operar el equipo de manera segura y eficaz. Colocamos una calcomanía de seguridad en el cultivador para recordarle parte de esta información importante mientras opera la unidad.

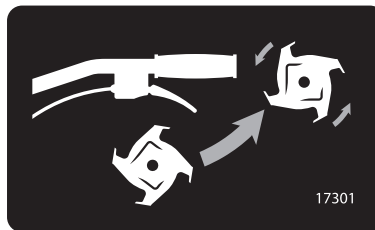
Estas calcomanías importantes de seguridad aparecen a continuación, y se muestran para ayudarlo a familiarizarse con la ubicación y el contenido de los mensajes de seguridad que verá mientras realiza operaciones normales de cultivo. Revise estas calcomanías ahora, y si tiene alguna pregunta respecto a su significado o de qué manera cumplir con estas instrucciones, vuelva a leer todo el texto acerca de instrucciones de seguridad en este manual.

Si no puede leer una calcomanía porque se desgastó, destiñó o dañó durante el uso del cultivador MC440, use la información de número de pieza que se proporciona para solicitar una etiqueta de reemplazo. Los clientes pueden realizar pedidos llamando al Servicio al Cliente de *Earthquake*. Estas calcomanías se aplican fácilmente, y actuarán como un recordatorio visual constante para usted, y otras personas que usen el equipo, para seguir las instrucciones de seguridad necesarias para una operación segura y eficaz del cultivador.

⚠ WARNING/AVERTISSEMENT	
	<p>Keep Away From Rotating Tines. Rotating tines will cause injury. Read the operator's manual. Know the location and function of all controls. Keep all safety devices and shields in place and working. Never allow children or un instructed adults to operate machine. Shut off engine before manually unclogging tines or making repairs. Keep bystanders away from machine. Keep away from rotating parts. Use extreme caution when reversing or pulling the machine towards you. Failure to follow this warning can result in serious bodily injury including broken bones and loss of limbs.</p>
	<p>Rester à l'écart des fraises en rotation. Les fraises en rotation provoquent des blessures. Lire le manuel de l'utilisateur. Connaître l'emplacement et la fonction de toutes les commandes. Maintenir tous les écrans et dispositifs de sécurité en place et en état de marche. Ne jamais permettre à des enfants ou à des adultes inexpérimentés d'utiliser la machine. Couper le moteur avant de déboucher les fraises ou d'effectuer des réparations. Tenir les personnes présentes à l'écart de la machine. Rester à l'écart des pièces en rotation. Faire preuve de grande prudence lors des changements de sens ou en tirant la machine vers soi. Ne pas respecter cet avertissement peut entraîner de graves blessures corporelles, notamment des fractures osseuses voire la perte de membres.</p>

N.º de pieza 17048

Advertencia del cultivador - Escudo de seguridad



N.º de pieza 17301

Etiqueta del control de aceleración - Manillar derecho

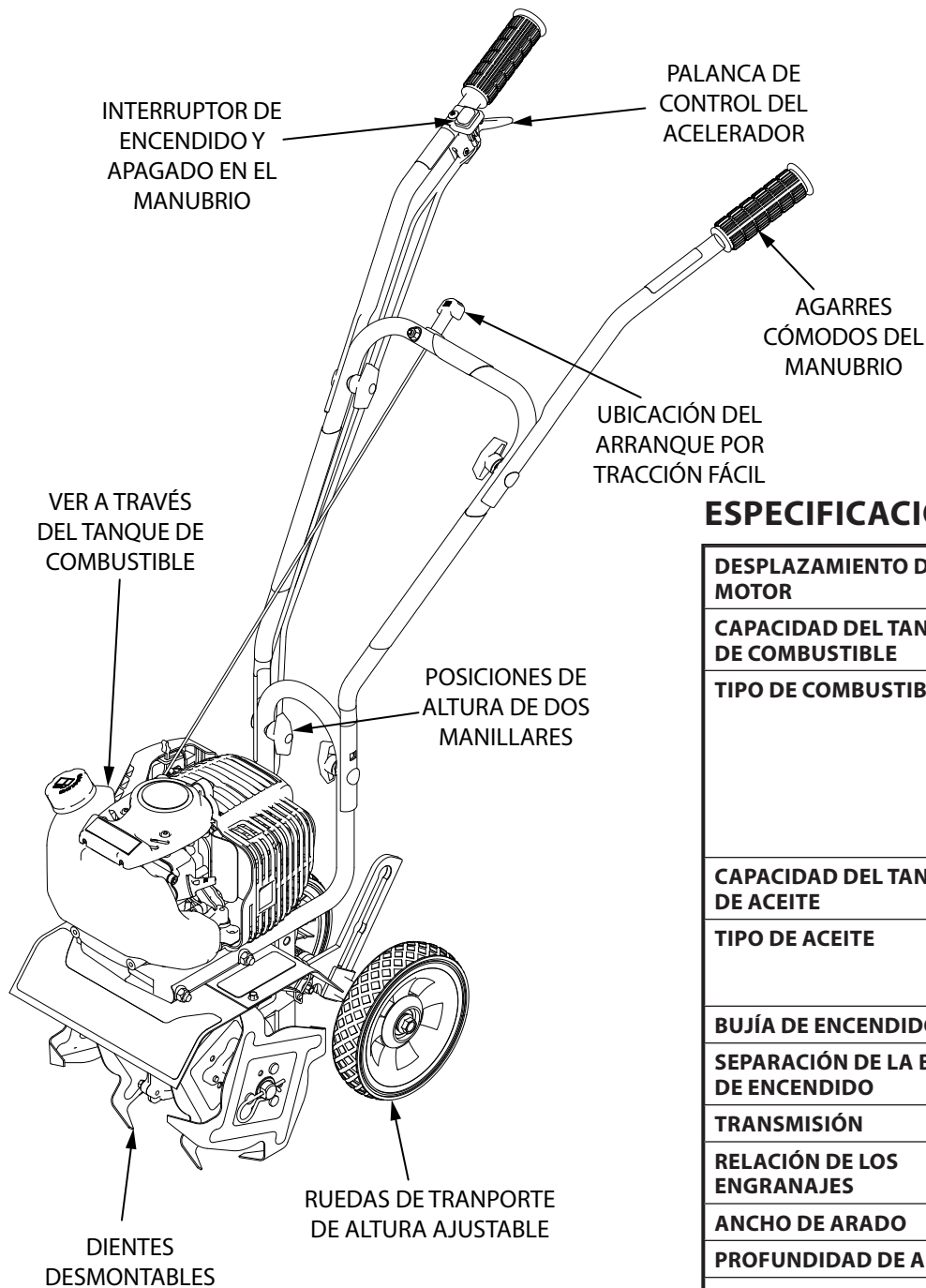
**When starting engine,
place free hand here.
Pour démarrer le moteur,
placer le main libre ici.**

17918

N.º de pieza 17918

Calcomanía de posición de inicio de mano gratuita - Manillar izquierdo

CARACTERÍSTICAS



ESPECIFICACIONES

DESPLAZAMIENTO DEL MOTOR	40 cc
CAPACIDAD DEL TANQUE DE COMBUSTIBLE	0.75 L
TIPO DE COMBUSTIBLE	Gasolina mínima de 87 octanos con bajo contenido de etanol. NOTA: Si usa un combustible mezclado con etanol, se recomienda usar un estabilizador de combustible, mezclado según las especificaciones del fabricante.
CAPACIDAD DEL TANQUE DE ACEITE	3.72 onzas
TIPO DE ACEITE	ACEITE VIPER 4 CICLOS (n/p 13235) 10W-30
BUJÍA DE ENCENDIDO	NGK CMR6A
SEPARACIÓN DE LA BUJÍA DE ENCENDIDO	0.6 mm
TRANSMISIÓN	TRANSMISIÓN POR ENGRANAJES
RELACIÓN DE LOS ENGRANAJES	32:1
ANCHO DE ARADO	6" mínimo; 10" máximo
PROFUNDIDAD DE ARADO	8" máximo
VELOCIDAD DE LOS DIENTES	288 rpm
TAMAÑO DE LAS RUEDAS	Diámetro de 7.1" x 1.5"
PESO DE LA UNIDAD	33 lb
TAMAÑO DE LA UNIDAD L x A x A (pulg.)	33.6" x 17.8" x 40.6"

DESEMPAQUE Y MONTAJE

DESEMPAQUE DE MC440

1. Con cuidado, saque el cultivador de la caja, retire todo el material de empaque y corte todas las amarras que afirman las piezas del manubrio al conjunto del cultivador.
2. Encuentre el paquete de piezas. El paquete de piezas contiene:
 - 4 - Tuercas de la manilla en T (4640)
 - 4 - Arandelas curvas (4641)
 - 4 - Pernos fijadores del manubrio (4642)

MONTAJE

1. Coloque el conjunto MC440 en posición vertical con los dientes y las ruedas en una superficie nivelada. Las ruedas se deben colocar en la posición más baja (consulte la página 12 para obtener instrucciones sobre el ajuste de las ruedas). **NO** coloque el cultivador en una superficie alta desde donde se pueda caer y provocar daños a la propiedad o lesiones personales.
2. Con las dos tuercas de la manilla en T, los dos pernos fijadores del manubrio y las dos arandelas curvas, una el manubrio central con el manubrio inferior que ya está conectado al conjunto del cultivador (**CONSULTE LA FIGURA 1**). Asegúrese que el cordón de tiro esté en el centro de la barra central del manubrio cuando realice la unión. El manubrio central se puede instalar en una de dos posiciones, alta o baja. **NO** apriete en exceso las tuercas de la manilla en T.
3. Una el manubrio superior derecho e izquierdo al manubrio central con las dos tuercas restantes de la manilla en T, los pernos fijadores del manubrio y las arandelas curvas (**CONSULTE LA FIGURA 1**). **NO** apriete en exceso las tuercas de la manilla en T.
4. El espolón de arrastre se envía con la punta hacia arriba. Antes de usar, retire el pasador de detención y gire el espolón de arrastre para que la punta se oriente hacia abajo, de frente a los dientes. Vuelva a insertar el pasador de detención. **CONSULTE LA FIGURA 2**.

FUNCIONAMIENTO

PREPARACIÓN DEL MOTOR PARA EL ARRANQUE

GASOLINA Y ACEITE

NOTA: El motor se envía de fábrica sin aceite. Debe agregar aceite de motor antes de arrancarlo. Si el motor se arranca sin aceite, este puede sufrir daños irreparables, los cuales no estarán cubiertos por la garantía.

Calidad

Para hacer funcionar el motor, recomendamos usar aceite de 4 ciclos de la marca "VIPER" (13235), que se incluye con cada cultivador MC440, o un aceite de motor 10W-30 equivalente, para garantizar que el motor funcione correctamente durante toda su vida útil. Use gasolina premium sin plomo simple; se recomiendan las mezclas con bajo contenido de etanol o sin etanol.

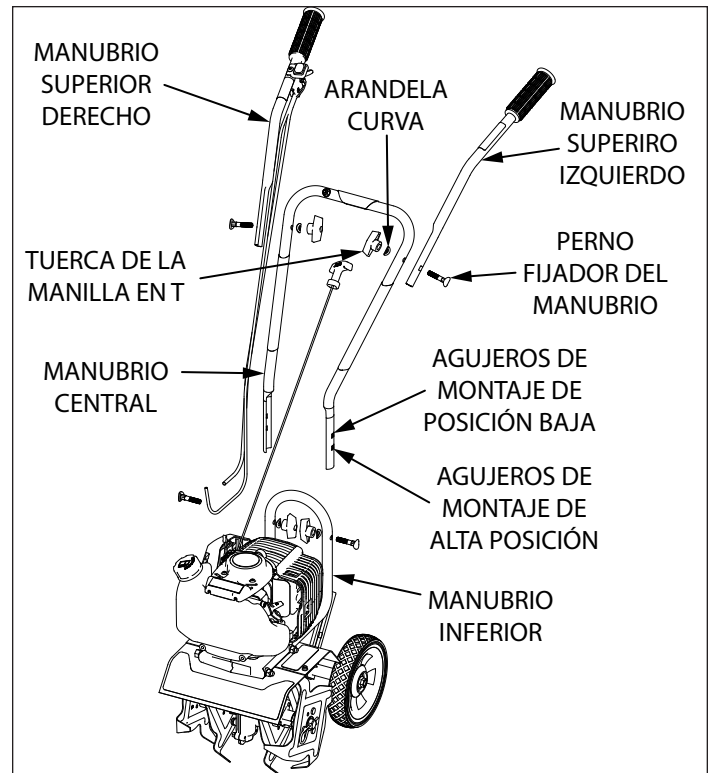


FIGURA 1

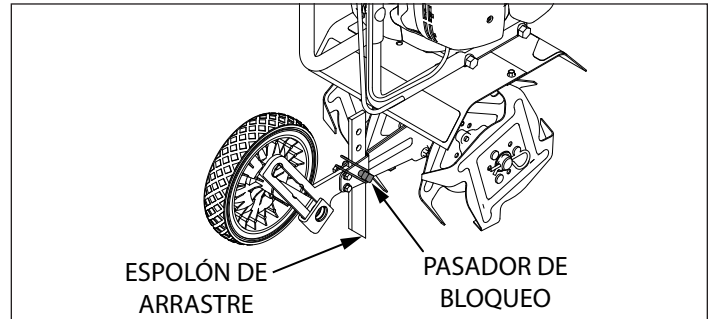


FIGURA 2

Comprobación y adición de aceite

Asegúrese de que el motor esté ubicado sobre una superficie nivelada antes de revisar o volver a llenar con aceite. La posición adecuada para comprobar el nivel de aceite o rellenar el aceite es boca abajo, con el tanque de gasolina del cultivador MC440 en una superficie horizontal. **CONSULTE LA FIGURA 3**

AVISO

EL MOTOR SE DEBE INCLINAR HACIA ADELANTE CON EL TANQUE DE GASOLINA HACIA ABAJO CUANDO SE COMPRUEBE EL NIVEL DE ACEITE O SE LLENE CON ACEITE. DE NO HACER ESTO, SE PUEDE PRODUCIR UN SOBRELLENADO DEL MOTOR CON ACEITE, LO QUE AFECTARÁ EL RENDIMIENTO DEL MOTOR. SOLO VERIFICAR EL ACEITE DESPUÉS DE QUE LA MÁQUINA SE DEJE DESCANSAR POR CINCO MINUTOS

1. Limpie alrededor del área de llenado de aceite.
2. Destornille la varilla indicadora y límpiela con un paño.
3. Vuelva a insertar la varilla indicadora (se debe enroscar completamente para que la lectura sea precisa).
4. Destornille y revise la varilla indicadora. Si la varilla no muestra aceite, rellene para que el nivel de aceite aparezca entre las marcas alta y baja de la varilla indicadora. **CONSULTE LA FIGURA 3**
5. Cambie el aceite si está contaminado.

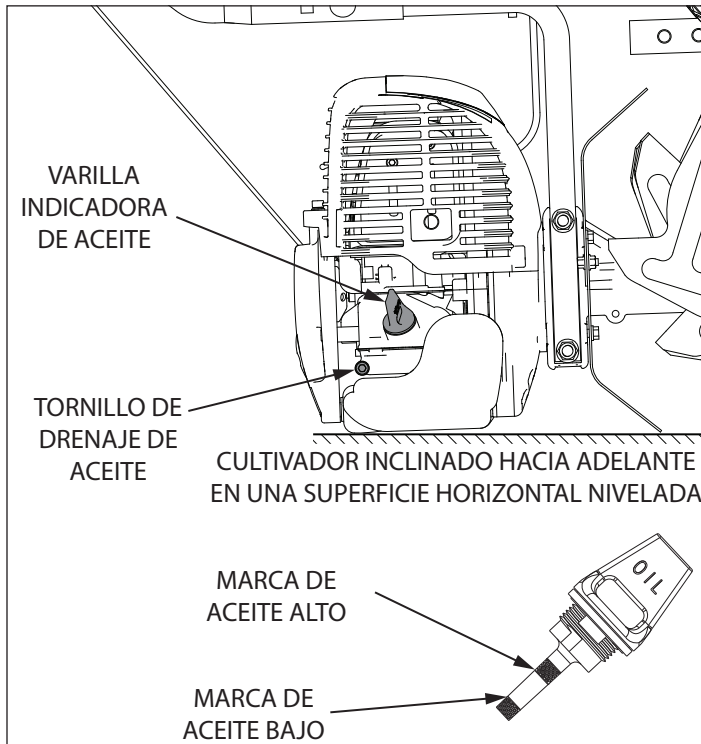


FIGURA 3
Llenado del tanque de combustible

1. Apague el motor y deje que se enfríe completamente antes de volver a llenar el tanque.
2. Trasládese a un área bien ventilada o al exterior, lejos de llamas o chispas.
3. Limpie los residuos del área alrededor de la tapa del depósito de combustible.
4. Afloje lentamente la tapa del depósito de combustible. Evite que la tapa entre en contacto con suciedad o residuos.
5. Agregue combustible cuidadosamente sin derramarlo.
6. No llene el tanque de gasolina a toda su capacidad, deje espacio para que el combustible se expanda.
7. Inmediatamente, vuelva a colocar y apretar la tapa del depósito de combustible. Limpie el combustible derramado y deje secar antes de arrancar el motor.

! PELIGRO

EL MOTOR SE ENVÍA DESDE LA FÁBRICA SIN ACEITE. DEBE AGREGAR ACEITE DE MOTOR ANTES DE ARRANCARLO. SI EL MOTOR SE ARRANCA SIN ACEITE, ESTE PUEDE SUFRIR DAÑOS IRREPARABLES, LOS CUALES NO ESTARÁN CUBIERTOS POR LA GARANTÍA.

NUNCA ALMACENE EL MOTOR CON COMBUSTIBLE EN EL TANQUE EN INTERIORES. EL COMBUSTIBLE Y LOS VAPORES DE COMBUSTIBLE SON MUY INFLAMABLES.

UN ADULTO SIEMPRE DEBE MANIPULAR Y LLENAR EL MOTOR CON COMBUSTIBLE.

SIEMPRE MANIPULE LA GASOLINA EN UN ÁREA BIEN VENTILADA O EN EXTERIORES, LEJOS DE LLAMAS O CHISPAS.

NO ARRANQUE EL MOTOR SI HAY DERRAME DE COMBUSTIBLE. LIMPIE EL EXCESO DE COMBUSTIBLE Y DEJE SECAR. RETIRE EL MOTOR DEL ÁREA PARA EVITAR CHISPAS.

AVISO

NO ROCÍE AGUA SOBRE LOS COMPONENTES ELECTRÓNICOS DEL CULTIVADOR O CERCA DE ELLOS, YA QUE PUEDE DAÑARLOS.

CONSEJOS DE FUNCIONAMIENTO

1. El embrague transferirá la potencia máxima después de dos horas de funcionamiento normal. Durante este período de rodaje, se puede producir el deslizamiento del embrague. El embrague se debe mantener libre de aceite y otros tipos de humedad para un funcionamiento eficaz.
2. Cultive sin colocar demasiado peso corporal en la unidad. El cultivador MC440 funciona de manera más eficaz con el peso de la propia unidad.
3. Nunca arranque el motor en interiores. Los vapores de escape son mortales.

ARRANQUE Y DETENCIÓN DEL MOTOR

- Traslade el motor hasta un área bien ventilada o al exterior, para evitar una intoxicación por monóxido de carbono.
- Trasládese a un área lejos de llamas o chispas, para evitar el encendido de vapores, si los hubiera.
- Retire todos los residuos de los orificios del purificador de aire y de la tapa del depósito de combustible para garantizar un flujo de aire adecuado.
- Si esta es la primera vez que arranca el cultivador MC440, asegúrese de que se ha vertido aceite de 4 ciclos en el área de llenado de aceite.

ARRANQUE EN FRÍO DEL MOTOR:

Arranque del motor por primera vez, después de haberlo enfriado o después de haberse quedado sin combustible.

1. Mueva la palanca del estrangulador a la posición **ESTRANGULAR. CONSULTE LA FIGURA 4**

NOTA: Para definir la posición **ESTRANGULAR**, mueva la palanca del estrangulador lo más que se pueda hacia la derecha, hacia el tanque de gasolina.

2. Ceebe la unidad hasta que la manguera del cebador se llene de gasolina.

NOTA: Cuando utilice el bulbo del cebador, permita que este vuelva completamente a su posición original entre un empujón y otro.

3. Coloque el interruptor de **encendido y apagado** en la posición **Encendido**.

4. Sostenga el manubrio firmemente. Agarre el mango de arranque y tire de él lentamente, hasta que hacerlo sea levemente más difícil. Sin dejar que el mango de arranque se retraiga, tire de la cuerda con un rápido movimiento de brazo. Permita que vuelva a su posición original lentamente. Repita este paso cada vez que tire de la cuerda de arranque, hasta que la unidad se encienda o arranque.

NOTA: Si el motor no arranca después de 5 a 6 tirones, pulse el cebador 1 vez y vuelva a tirar de la cuerda de arranque.

5. Después de que el motor arranque, mueva la palanca del estrangulador a la posición **ESTRANGULAMIENTO MEDIO** hasta que funcione sin problemas.

NOTA: El estrangulamiento medio se define cuando la palanca del estrangulador está entre las posiciones **ESTRANGULAR** y **ARRANCAR**. CONSULTE LA FIGURA 4

6. Mueva la palanca del estrangulador a la posición **ARRANCAR** y apriete el acelerador hasta la velocidad deseada. CONSULTE LA FIGURA 4

NOTA: Acelere completamente cuando sea posible. No deje que la unidad funcione al ralentí durante períodos prolongados.

7. Para detener el motor, coloque el interruptor de **encendido y apagado** en la posición **Apagado**.

ARRANQUE CÁLIDO/CALIENTE DEL MOTOR:

1. Continúe con el Paso 3 de Arranque en frío del motor.
2. Si el motor no enciende, consulte el Paso 1 de Arranque en tibio del motor.

PARA DETENER EL MOTOR:

Coloque el interruptor de **encendido y apagado** en la posición **Apagado**.

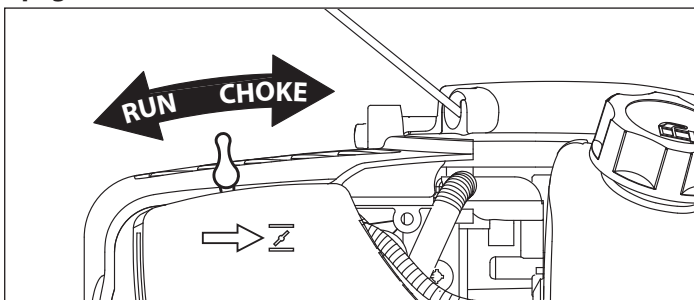


FIGURA 4

⚠ PELIGRO

NO INTENTE ARRANCAR EL MOTOR DE LAS SIGUIENTES MANERAS:

- NO USE LÍQUIDO DE ARRANQUE.
- NO PULVERICE LÍQUIDOS O VAPORES INFLAMABLES EN EL PURIFICADOR DE AIRE, CARBURADOR O EN LA CÁMARA DE LA BUJÍA DE ENCENDIDO.
- NO RETIRE LA BUJÍA DE ENCENDIDO E INTENTE ARRANCAR EL MOTOR. EL COMBUSTIBLE INFLAMABLE SE PUEDE ROCIAR Y ENCENDER A PARTIR DE UNA CHISPA DE LA BUJÍA DE ENCENDIDO.

⚠ PRECAUCIÓN

ASEGÚRESE DE QUE LA UNIDAD ESTÉ EN UNA POSICIÓN ESTABLE ANTES DE TIRAR DE LA MANILLA DE ARRANQUE.

CUANDO LA UNIDAD COMIENCE A ENCENDER O ARRANCAR, DEVUELVA AMBAS MANOS A LA POSICIÓN DEL MANUBRIO PARA MANTENER EL CONTROL Y LA ESTABILIDAD DE LA UNIDAD.

SI EL MOTOR NO ARRANCA DESPUÉS DE SEGUIR LOS PROCEDIMIENTOS DE ARRANQUE, COMUNÍQUESE CON NUESTRO DEPARTAMENTO DE SERVICIO AL CLIENTE AL 800-345-6007.

LA CUERDA DE ARRANQUE PUEDE PROVOCAR UN TIRÓN IMPREVISTO HACIA EL MOTOR. SIGA LAS INSTRUCCIONES PARA EVITAR LESIONES.

NUNCA DEJE EL MOTOR FUNCIONANDO SIN SUPERVISIÓN. APÁGUELO DESPUÉS DE CADA USO.

NUNCA TRASLADE EL CULTIVADOR DE UN LUGAR A OTRO MIENTRAS EL MOTOR ESTÁ FUNCIONANDO.

SIEMPRE USE UN DISPOSITIVO DE PROTECCIÓN AUDITIVA.

NO ARRANQUE EL MOTOR SI HAY DERRAME DE COMBUSTIBLE. LIMPIE EL EXCESO DE COMBUSTIBLE Y DEJE SECAR.

AJUSTE DE LAS RUEDAS Y DEL ESPOLÓN DE ARRASTRE

Las ruedas del cultivador MC440 se pueden ajustar en una de tres posiciones. La posición **BAJA** de las ruedas se usa para transportar el cultivador a través de una superficie lisa y nivelada mientras el motor no está funcionando. Las posiciones **ALTA** y **MÁS ALTA** se usan cuando se cultiva la tierra y permiten estabilizar la unidad cuando se cultiva en diversas profundidades. (CONSULTE LA FIGURA 5)

Para ajustar las ruedas hacia arriba o hacia abajo (CONSULTE LAS FIGURAS 6 Y 7):

1. Tire del manguito de detención de metal contra el resorte, lejos de la guía vertical, hasta que se suelte de una de las tres posiciones dentadas en la guía vertical.
2. Deslice el conjunto de ruedas hacia arriba o hacia abajo, hasta la posición deseada, y suelte el manguito de detención de metal hasta que se bloquee en la muesca deseada de la guía vertical.

El espolón de arrastre se usa para permitir la regulación de la profundidad del cultivo y para que el cultivador MC440 salte hacia adelante durante el funcionamiento. La resistencia ante el movimiento hacia adelante es mayor cuando el espolón de arrastre está en la posición más baja, lo que permite un cultivo más profundo.

Para ajustar el espolón de arrastre (CONSULTE LA FIGURA 7):

1. Retire el pasador del orificio de montaje del espolón de arrastre.
2. Coloque el espolón de arrastre con la punta orientada hacia abajo.
3. Inserte el pasador en el orificio que logra la profundidad deseada.

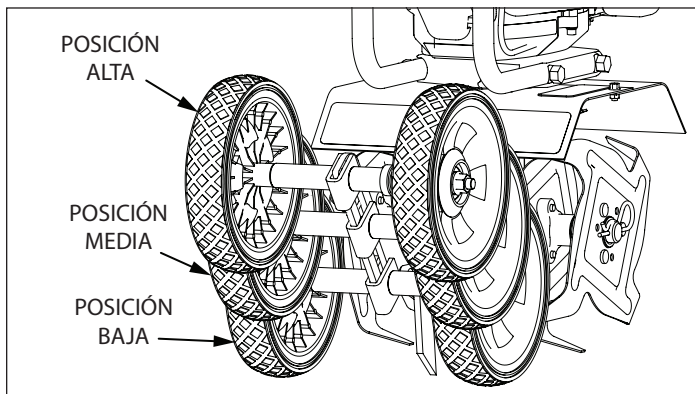


FIGURA 5

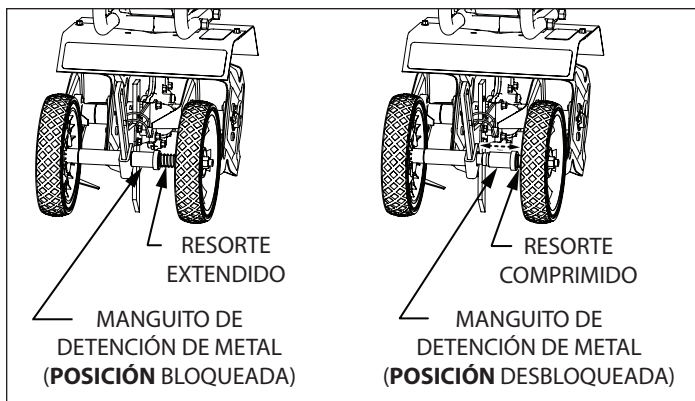


FIGURA 6

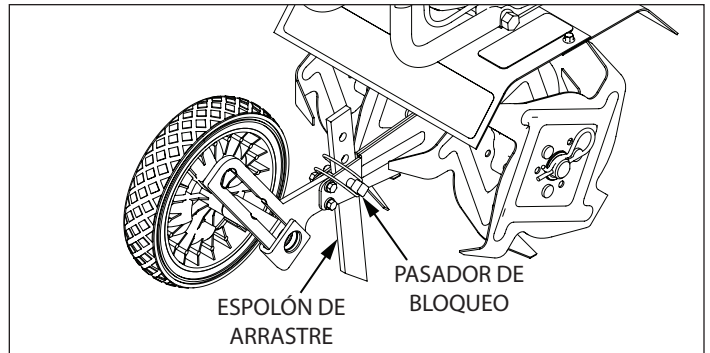


FIGURA 7
RETIRO E INSTALACIÓN DE LOS DIENTES

Para retirar los dientes (CONSULTE LA FIGURA 8)

1. Retire los pasadores de horquilla de cada extremo del eje de los dientes.
2. Deslice los cuatro dientes para sacarlos del eje.

Para instalar los dientes

1. Primero, deslice los dientes interiores hacia el extremo del eje de los dientes. Un diente interior tiene grabada una letra **B** y el otro tiene grabada una letra **C**.
2. Luego, deslice el diente exterior **A** y el diente **D** hacia cada uno de los extremos del eje. Los dientes se deben instalar en el orden correcto, de modo que estén colocados, de izquierda a derecha, **A, B, C, D**, vistos desde la posición del usuario en el cultivador MC440. Asegúrese de que los collarines del buje tanto en el par de dientes derecho como en el izquierdo estén frente a frente, de modo que exista un espacio adecuado entre las cuchillas de los dientes.

CONSULTE LA FIGURA 8

3. Inserte los pasadores de horquilla en los orificios en cada extremo del eje de los dientes, para bloquear estos últimos en su lugar.

NOTA: Los dientes se pueden invertir para que las puntas de los dientes se dirijan hacia afuera, para una excavación más agresiva. En esta disposición, los dientes están ubicados de izquierda a derecha como **D, C, B, A**, vistos desde la posición del usuario

NOTA: Para reducir el ancho del cultivo de 10" a 6", retire ambos dientes exteriores y vuelva a insertar los pasadores de horquilla a través de los dos orificios interiores del eje de los dientes, para fijar ambos dientes interiores en su lugar.

* Escanee este código QR con su smartphone para consejos útiles y consejos para usar su cultivador.
www.getearthquake.com



Es posible que necesite obtener un lector QR Code® desde la tienda de aplicaciones de su smartphone. Pueden aplicarse tarifas de datos.

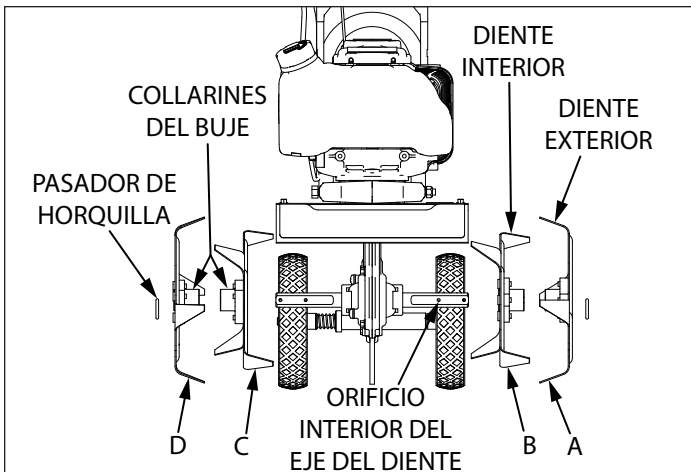


FIGURA 8

MANTENIMIENTO Y ALMACENAMIENTO

PASOS PARA TRABAJAR EN EL EQUIPO

1. Coloque el interruptor de encendido y apagado en la posición **Apagado**. **CONSULTE LA FIGURA 9**
2. Reemplace o repare la pieza del cultivador.
3. Revise que todas las piezas que se repararon o retiraron durante la reparación, estén seguras y ajustadas correctamente.

NOTA: Todas las piezas de repuesto deben provenir de la fábrica. Nunca reemplace piezas que no estén específicamente diseñadas para el cultivador.

MANTENIMIENTO DEL CULTIVADOR

1. Mantenga apretados todos los tornillos, tuercas y pernos.
2. Para el funcionamiento en climas fríos, almacene la unidad en un ambiente fresco. Transferir la unidad desde un lugar frío a uno cálido puede provocar la acumulación de condensación dañina.

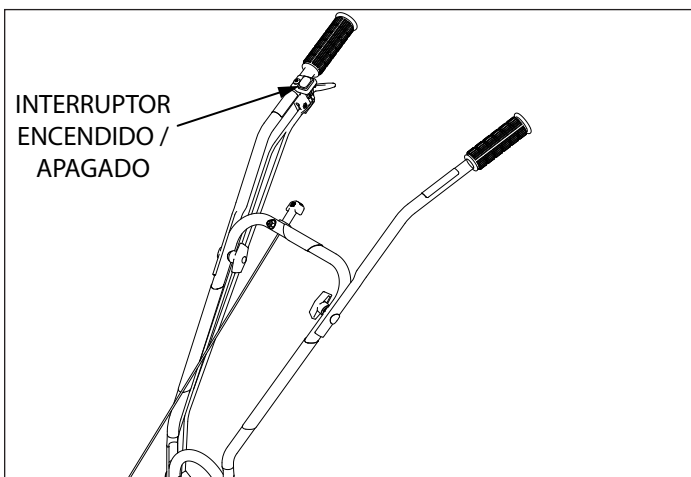


FIGURA 9

⚠ ADVERTENCIA

EN TODO MOMENTO MANTENGA LA SEGURIDAD COMO PRÁCTICA HABITUAL. EL MOTOR DEBE ESTAR APAGADO Y FRÍO ANTES DE INTENTAR REALIZAR MANTENIMIENTO O REPARACIONES.

PARA EVITAR UN ARRANQUE ACCIDENTAL:

- EL MOTOR DEBE ESTAR APAGADO Y FRÍO ANTES DE REVISAR Y AJUSTAR EL MOTOR O EQUIPO.
- LA TEMPERATURA DEL SILENCIADOR Y LAS ÁREAS CERCANAS PUEDE EXCEDER LOS 150° F. EVITE ESTAS ÁREAS.
- REVISE EL CULTIVADOR FRECUENTEMENTE PARA VER SI HAY TUERCAS O PERNOS SUELTOS. MANTENGA ESTOS ELEMENTOS APRETADOS.
- NUNCA ALMACENE EL MOTOR CON COMBUSTIBLE EN EL TANQUE AL INTERIOR DE UN EDIFICIO. ES POSIBLE QUE HAYAN CHISPAS POR EL ENCENDIDO DE COMBUSTIBLE Y VAPORES DE COMBUSTIBLE.
- SOLO UN ADULTO DEBE REALIZAR MANTENIMIENTO O REPARACIÓN EN EL MOTOR Y EL CULTIVADOR.
- EL MOTOR DEBE ESTAR APAGADO Y FRÍO ANTES DE EFECTUAR CUALQUIER MANTENIMIENTO O REPARACIÓN.

MANTENIMIENTO DEL MOTOR

Consulte la garantía de emisión del motor incluida con su producto para el programa de mantenimiento.

El buen mantenimiento es esencial para un funcionamiento seguro, económico y sin problemas. Además, ayudará a reducir la contaminación ambiental. Para ayudarlo a cuidar correctamente el motor, las páginas a continuación incluyen un programa de mantenimiento, procedimientos de inspección de rutina y procedimientos de mantenimiento simples utilizando herramientas manuales básicas. Otras tareas de mantenimiento que son más difíciles, o que requieren herramientas especiales, son mejor manejadas por profesionales y, por lo general, las realiza un técnico u otro mecánico calificado.

Un establecimiento o personas que trabajen en la reparación de motores para uso fuera de carretera deben realizar el mantenimiento, el reemplazo o la reparación de los dispositivos y sistemas de control de emisiones. Sin embargo, un distribuidor autorizado debe realizar el mantenimiento de los elementos para obtener un servicio de garantía para control de emisiones "sin cobro".

AVISO

EL MOTOR SE DEBE INCLINAR HACIA ADELANTE CON EL TANQUE DE GASOLINA HACIA ABAJO CUANDO SE COMPRUEBE EL NIVEL DE ACEITE O SE LLENE CON ACEITE. CONSULTE LA FIGURA 3 EN LA PÁGINA 9. DE NO HACER ESTO, SE PUEDE PRODUCIR UN SOBRELLENADO DEL MOTOR CON ACEITE, LO QUE AFECTARÁ EL RENDIMIENTO DEL MOTOR. SOLO VERIFICAR EL ACEITE DESPUÉS DE QUE LA MÁQUINA SE DEJE DESCANSAR POR CINCO MINUTOS

LUBRICACIÓN

Seleccione el aceite de motor que cumpla o sobrepase la clasificación de API Service más reciente. Para las temperaturas superiores a 32 °F, use aceite para motor 10W-30. Use SAE 5W-30 si las temperaturas son inferiores a 32 °F.

MANTENIMIENTO DEL ACEITE

Se debe cambiar el aceite después de las primeras cinco horas de funcionamiento del motor Viper nuevo y cada 50 horas de tiempo de funcionamiento, de ahí en adelante. El aceite debe cambiarse cada 25 horas si se usa bajo condiciones demandantes, como a altas temperaturas o con cargas pesadas. Revise el aceite de manera periódica; no llene en exceso.

CAMBIO DEL ACEITE

Asegúrese de que el motor no esté funcionando y que esté ubicado sobre una superficie nivelada antes de revisar o volver a llenar con aceite. El motor debe estar caliente para retirar fácilmente el aceite.

PASOS PARA CAMBIAR EL ACEITE

1. Coloque el interruptor de encendido y apagado en la posición **Apagado**.
2. Destornille el tornillo de drenaje de aceite y vacíe el aceite en un recipiente adecuado para este. (**CONSULTE LA FIGURA 3A en la página 10**) Deseche el aceite de manera adecuada.
3. Vuelva a insertar el tornillo de drenaje y retire la varilla indicadora de aceite.
4. Llene con el aceite adecuado hasta la marca "FULL" (Lleno) o hasta la línea superior de la varilla indicadora (**CONSULTE LA FIGURA 3B en la página 10**).
5. Vuelva a insertar la varilla indicadora o la tapa de llenado de aceite y apriétela.

BUJÍA DE ENCENDIDO

La bujía de encendido recomendada es una NGK CMR6A. Para obtener instrucciones de mantenimiento y cuidado de la bujía de encendido visite www.getearthquake.com o llame al Servicio al Cliente de *Earthquake*.

CARBURADOR

Nunca altere la configuración de fábrica del carburador.

ALETAS DE ENFRIAMIENTO

Las aletas de enfriamiento, las entradas de aire y uniones deben estar libres de residuos antes de cada uso.

FILTRO DE AIRE

Nunca arranque el motor sin haber instalado correctamente el purificador de aire. Es posible que se produzca desgaste adicional y fallas en el motor si no se instala el purificador de aire en el motor.

Realice mantenimiento al purificador de aire cada 3 meses o después de 20 horas de funcionamiento. En condiciones muy polvorientas, limpie el filtro a diario.

Pasos para reemplazar y limpiar el filtro de aire (filtro de espuma tipo bloque)

1. Antes de retirar la cubierta del filtro de aire, mueva la palanca del estrangulador hacia la posición **ESTRANGULAR**.
2. Para retirar la cubierta del filtro de aire, destornille el perno de la cubierta con un destornillador y suelte suavemente la lengüeta de retención delantera. Entonces, se puede deslizar la cubierta para sacarla de las lengüetas de retención posteriores y del motor. **CONSULTE LA FIGURA 10**
3. Retire el filtro de espuma y los elementos filtrantes de espuma. Reemplácelo con un nuevo filtro de fibra y un nuevo filtro de espuma lubricado (**CONSULTE LA FIGURA 11**), o bien, limpie los filtros originales de espuma y de fibra con agua tibia y jabón suave. Recuerde lubricar completamente el filtro de espuma con aceite para motor grado 30 o 40 y quitar el exceso de aceite antes de volver a instalarlo. Asegúrese de presionar el filtro de espuma en su lugar de manera uniforme sobre el filtro de fibra para garantizar que la espuma esté fija en su posición de sellado.
4. Para volver a colocar la cubierta del filtro de aire, primero conecte las lengüetas de retención posteriores, asegúrese de que el bloque de filtro de espuma se mantenga completamente fijo y en la posición adecuada, y conecte la lengüeta de retención delantera para que esté fija en su lugar.
5. Atornille el perno de la cubierta nuevamente en su lugar. Tire levemente de la cubierta para verificar que esté fijada de manera segura. Si la cubierta no se mueve al tirar de ella, está fija.

PELIGRO

PARA EVITAR LESIONES O LA MUERTE, NUNCA EXTRAIGA EL COMBUSTIBLE CON LA BOCA.

NUNCA GUARDE EL CULTIVADOR CON COMBUSTIBLE EN EL TANQUE DE COMBUSTIBLE DENTRO DE UN ESPACIO O UN EDIFICIO CERRADOS.

AVISO

CUANDO LIMPIE, NUNCA TUERZA LOS FILTROS DE AIRE. SIEMPRE PRESIONE.

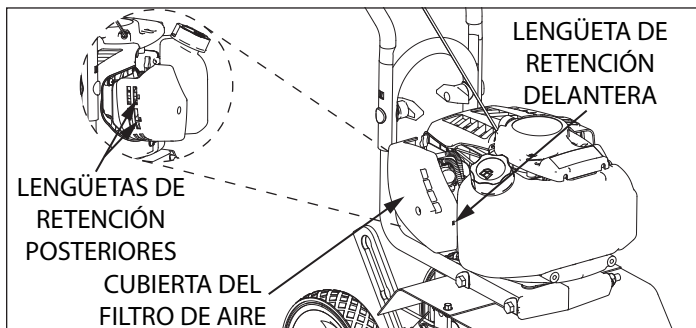


FIGURA 10

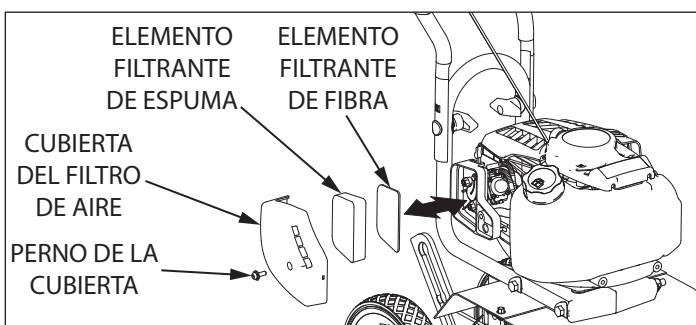


FIGURA 11

TRANSPORTE DEL CULTIVADOR MC440

1. Después de usar el cultivador y antes de transportarlo en un camión, compruebe que la tapa del depósito de gasolina esté atornillado firmemente (hacia la derecha). La tapa del depósito de gasolina no tendrá fugas durante el transporte si está apretada. Nunca transporte el motor en el interior de un espacio cerrado dentro de un vehículo. El combustible o los vapores del combustible pueden inflamarse, lo que puede provocar lesiones graves o la muerte.
2. Si hay combustible en el tanque de combustible, transpórtelo en un vehículo abierto y en posición vertical.
3. Si se debe usar un vehículo cerrado, saque la gasolina y colóquela en un recipiente rojo aprobado para combustible. NO lo extraiga con la boca.
4. Limpie todo el combustible derramado del motor y del cultivador. Permita que se seque.
5. Arranque el motor para usar el combustible que queda en el carburador y en el tanque de combustible. Siempre arranque el motor en un área bien ventilada.
6. La tapa del depósito de gasolina se debe atornillar firmemente antes de transportar el cultivador MC440 en un vehículo.

ALMACENAMIENTO A LARGO PLAZO

Si no se usará el cultivador MC440 por más de un mes, prepárelo para el almacenamiento a largo plazo.

Pasos para el almacenamiento a largo plazo

1. Mezcle una cantidad adecuada de estabilizador de combustible, como STA-BIL®, con la gasolina fresca, en la proporción que se recomienda en el envase del estabilizador. Haga funcionar el motor durante cinco minutos para distribuir la mezcla del estabilizador por todo el sistema de combustible. Esto evitará la acumulación de resina, barniz y corrosión en el sistema de combustible durante el almacenamiento a largo plazo por hasta 12 meses.
2. Elimine todos los residuos de los dientes del cultivador y del motor.
3. Almacene el cultivador colocándolo sobre una superficie nivelada, descansando sobre el tanque de combustible y el protector del diente. **CONSULTE LA FIGURA 12**

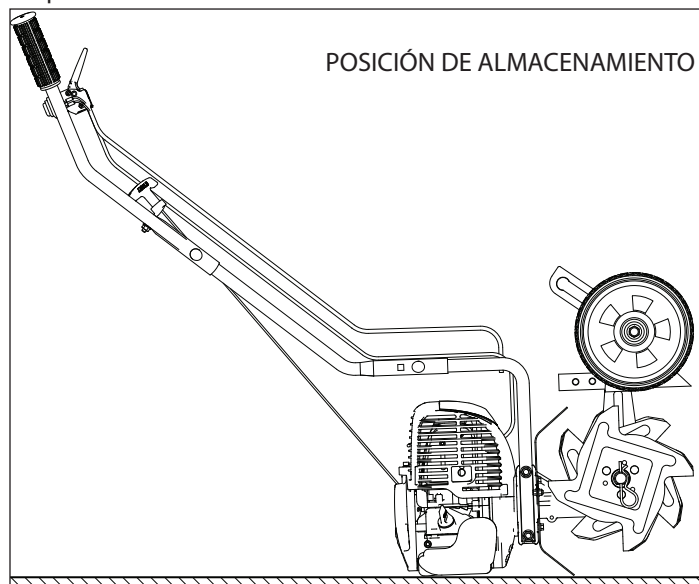


FIGURA 12

SOLUCIÓN DE PROBLEMAS Y REPARACIÓN

En *Earthquake*, incorporamos calidad y durabilidad en el diseño de nuestros productos, sin embargo, nada de nuestro cuidadoso diseño ni el meticuloso mantenimiento de su parte puede garantizar una vida útil de su cultivador *Earthquake* sin reparaciones. La mayoría de las reparaciones son menores y fáciles de realizar si se siguen las sugerencias que se indican en la guía de solución de problemas de esta sección.

Esta guía le ayudará a localizar las causas de problemas comunes y a identificar soluciones.

Para reparaciones más complicadas, comuníquese con su distribuidor, centro de servicio autorizado o con *Earthquake*. *Earthquake* efectuará las reparaciones necesarias si no hay un centro de servicio disponible. Hacia el final de este manual se encuentra una lista detallada de las piezas.

Siempre estaremos encantados de responder cualquier pregunta que tenga o de ayudarlo a encontrar la ayuda apropiada. Para solicitar piezas o informarse acerca de la garantía, llámenos o envíenos un correo electrónico con la información de contacto que se encuentra en esta sección.

SOLICITUD DE PIEZAS DE REPUESTO

Las piezas se pueden obtener de la tienda donde adquirió el cultivador MC440 o directamente de la fábrica. Para solicitar piezas, visite www.getearthquake.com o llame al 1-800-345-6007.

Para otras preguntas generales, puede enviarnos un correo electrónico a info@getearthquake.com.

Incluya la siguiente información con la solicitud:

- 1) Números de las piezas
- 2) Descripción de las piezas
- 3) Cantidad
- 4) Número de modelo y de serie

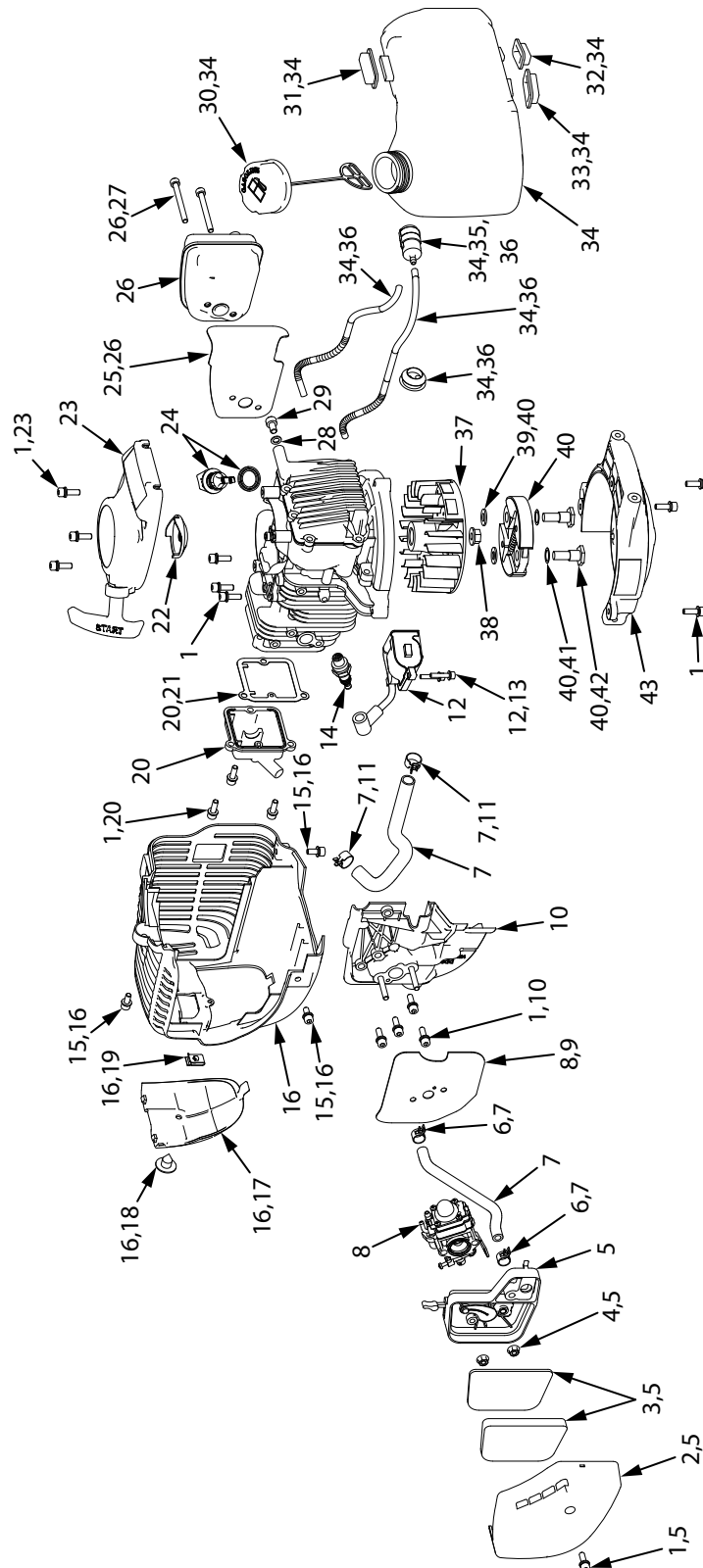
REPUESTOS

Solo use repuestos aprobados por *Earthquake*.

GUÍA DE SOLUCIÓN DE PROBLEMAS

PROBLEMA	CAUSA POSIBLE	SOLUCIÓN O ACCIÓN
El motor no arranca	1. Interruptor de alimentación en posición apagada	1. Mueva el interruptor a la posición ENCENDIDO
	2. El cable de la bujía de encendido está desconectado	2. Conecte el cable de la bujía de encendido a la bujía
	3. No hay combustible	3. Recargue combustible
	4. La bujía de encendido está húmeda, defectuosa o separada de manera incorrecta	4. Limpie, reemplace o separe la bujía de encendido
	5. La manguera de la tubería de combustible no está ubicada en la parte inferior del tanque de gasolina	5. Sumerja la tubería en el combustible del tanque de gasolina
El motor funciona de manera desigual y se ahoga durante el funcionamiento	1. El filtro de aire está sucio	1. Limpie o reemplace el filtro de aire
	2. El estrangulador está parcialmente enganchado	2. Apague el estrangulador
	3. El carburador no está ajustado	3. Llame al servicio de atención al cliente
Es motor arranca con dificultad	1. El combustible está en mal estado	1. Vacíe el combustible antiguo y reemplácelo con combustible fresco. Use estabilizador de gasolina al final de la temporada
	2. El cable de la bujía de encendido está suelto	2. Asegúrese de que el cable de bujía esté fijado firmemente a la bujía de encendido
	3. El carburador está sucio	3. Limpie el carburador, use estabilizador de gasolina, nueva lata de gasolina
El motor pierde o no tiene potencia	1. El tanque de gasolina está obstruido	1. Extraiga y limpie el tanque de gasolina
	2. El filtro de aire está obstruido	2. Limpie o reemplace el filtro de aire
	3. El carburador no está ajustado o está defectuoso	3. Llame al servicio de atención al cliente
	4. La bujía de encendido está húmeda, defectuosa o separada de manera incorrecta	4. Limpie, reemplace o separe la bujía de encendido
El motor arranca y luego se detiene	1. La tapa del depósito de gasolina no está ventilando	1. Limpie o reemplace la tapa del depósito de gasolina, revise la ventilación
	2. El filtro de combustible está conectado	2. Limpie o reemplace el filtro de combustible
	3. El carburador no está ajustado o está defectuoso	3. Llame al servicio de atención al cliente
Las revoluciones del motor son demasiado altas	1. El carburador no está ajustado	1. Llame al servicio de atención al cliente
Los dientes giran al ralentí	1. La velocidad de ralentí es demasiado alta	1. Ajuste una velocidad de ralentí más baja
	2. El resorte de embrague está roto	2. Reemplace el embrague
Recoil difícil de tirar	1. Aceite en la cámara de combustión	1. Retirar la bujía y secar la cámara

DESGLOSE DE PIEZAS DEL MOTOR

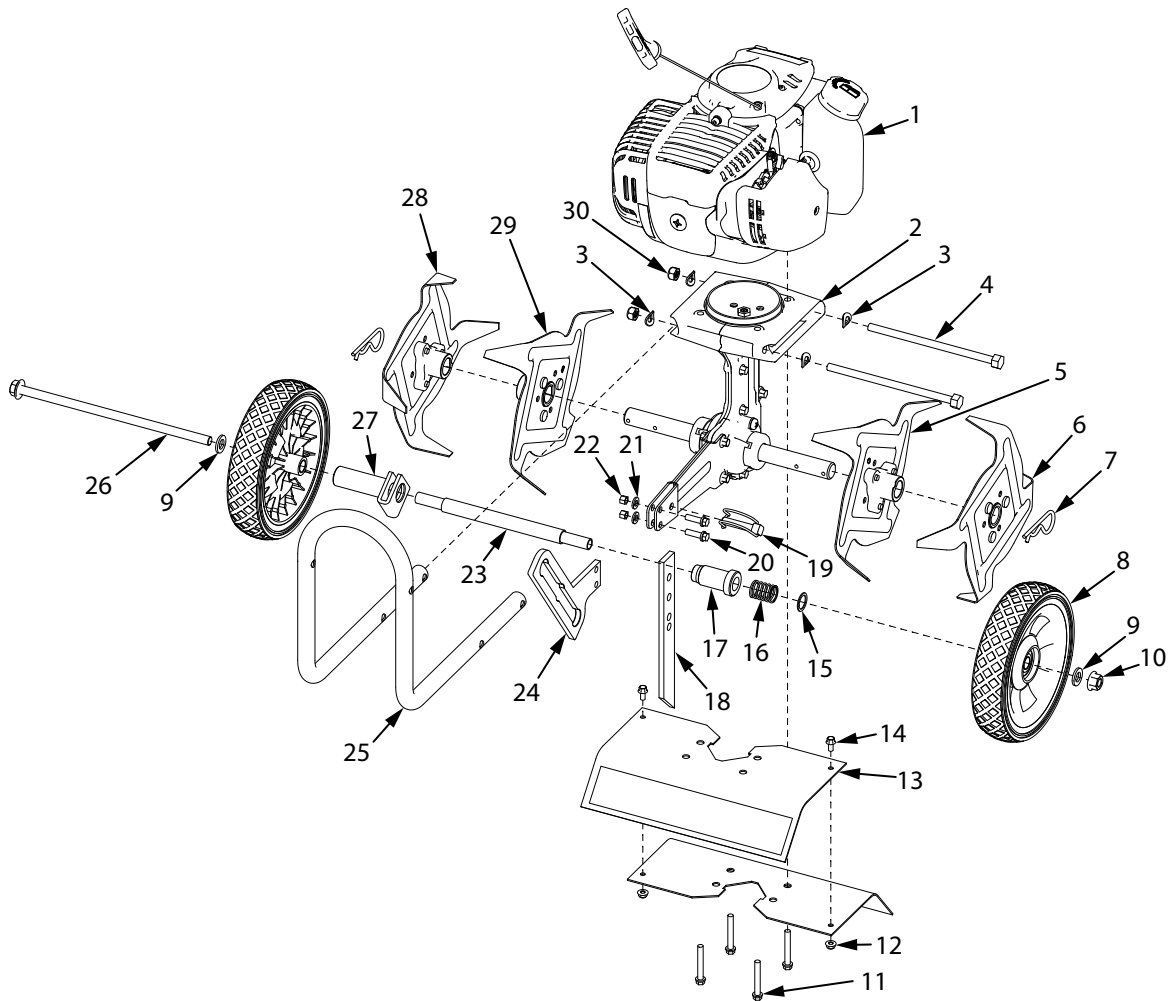


LISTA DE PIEZAS DEL MOTOR

N.º DE CLAVE	N.º DE PIEZA	DESCRIPCIÓN	CANT.
1	26205	PERNO CON ARANDELA M5 X 0.8 X 16 MM	17
2	13197	CUBIERTA DEL FILTRO DE AIRE	1
3	26996	ELEMENTOS DEL FILTRO DE AIRE DEL KIT	1
4	400020	CONTRATUERCA M5 X 0.8 HHF	2
5	13363	KIT DE FILTRO DE AIRE	1
6	23271	RESPIRADERO DE ABRAZADERA DE MANGUERA	2
7	13394	KIT DE MANGUERAS DEL RESPIRADERO	1
8	13329	KIT DE CARBURADOR	1
9	13299	JUNTA DEL CARBURADOR	1
10	13390	KIT DE SOPORTE DEL CARBURADOR	1
11	13395	ABRAZADERA DE LA MANGUERA DE LA TAPA DE LA VÁLVULA	2
12	13400	KIT DE BOBINA DE ENCENDIDO	1
13	26866	PERNO CON ARANDELA M4 X 0.7 X 20 MM	2
14	13243	BUJÍA DE ENCENDIDO NGK CMR6A	1
15	26867	PERNO CON ARANDELA M5 X 0.8 X 12 MM	3
16	18497	KIT DE CUBIERTA DEL MOTOR	1
17	11043	TAPA DE ACCESO DE LA PLACA DE CHISPA	1
18	11044	TORNILLO 4,8 X 12,7 MM PHILLIPS	1
19	22631	TUERCA 4,8 MM	1
20	13298	KIT DE CUBIERTA DE LA VÁLVULA	1
21	13324	JUNTA DE LA CUBIERTA DE LA VÁLVULA	1
22	13244	EMBRAGUE DE RETROCESO	1

N.º DE CLAVE	N.º DE PIEZA	DESCRIPCIÓN	CANT.
23	13342	CONJUNTO DE RETROCESO	1
24	13393	KIT DE TAPA DEL DEPÓSITO DE ACEITE CON JUNTA TÓRICA	1
25	13202	SILENCIADOR DE ESCUDOS DE CALOR	1
26	13391	KIT DE SILENCIADOR	1
27	13181	PERNO M5 X 0.8 X 50 MM	2
28	13320	ARANDELA M6 X 10 MM X 1 MM	1
29	19919	PERNO M6 X 1,0 X 10 MM	1
30	19236	TAPA DEL DEPÓSITO DE GASOLINA COMPLETA DE CON VENTILACIÓN AUTOMÁTICA	1
31	13295	SOPORTE SUPERIOR DE GOMA DEL TANQUE DE GASOLINA	1
32	13296	SOPORTE INFERIOR IZQUIERDO DE GOMA DEL TANQUE	1
33	13297	SOPORTE INFERIOR DERECHO DE GOMA DEL TANQUE	1
34	13388	KIT DE TANQUE DE GASOLINA CON TUBERÍA DE COMBUSTIBLE	1
35	17992	FILTRO DE COMBUSTIBLE ALUMINIO	1
36	13308	KIT DE TUBERÍAS DE COMBUSTIBLE	1
37	13241	VOLANTE	1
38	300337	TUERCA M8 X 1.25 MM	1
39	300462	ARANDELA 15.8 X 8.4 X 1.6 MM	2
40	11235	KIT DE EMBRAGUE VIPER CON DIÁM. EXT. DE 76.76 MM	1
41	300449	ARANDELA ELÁSTICA M8	2
42	300450	PERNO M8 X 1.25 X 25 MM CON REBORDE DE 10 MM	2
43	26868	MONTAJE DE ANILLO Y CUBIERTA	1

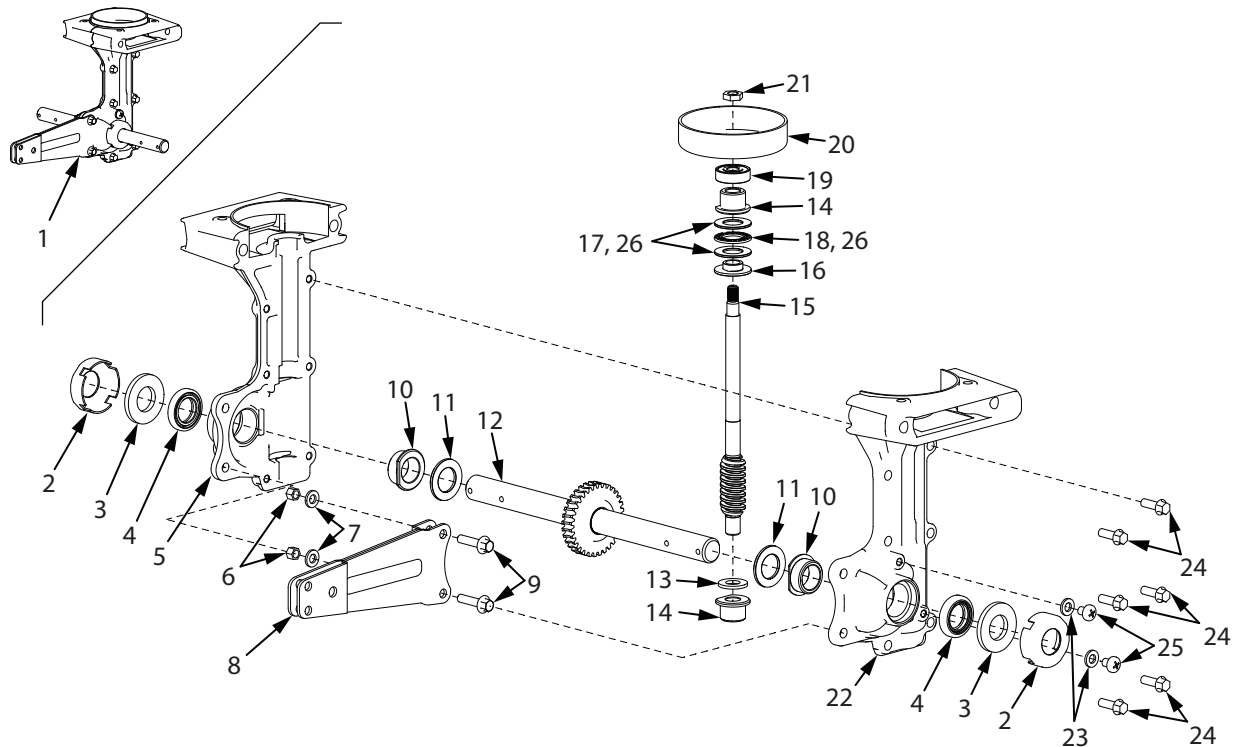
DESGLOSE DE PIEZAS DE LA TAPA Y LOS DIENTES



N.º DE CLAVE	N.º DE PIEZA	DESCRIPCIÓN	CANT.
1	23491	VÁLVULA EN LA CULATA DEL MOTOR DE 40CC DE 4 CICLOS	1
2	26013	CONJUNTO DE TRANSMISIÓN	1
3	4641	ARANDELA CURVA M8	4
4	46141	PERNO M8 X 1.25 X 160 MM	2
5	4602	CONJUNTO DE DIENTE -C-	1
6	4604	CONJUNTO DE DIENTE -D-	1
7	4652	PASADOR DE HORQUILLA 5/8-3/4	2
8	13189	RUEDA DE 180 X 38 MM CENTRO GRIS	2
9	2431	ARANDELA PLANA M10 X 20 X 2	2
10	13048	TUERCA M10 X 1.5	1
11	4625	PERNO CON REBORDE M6 X 1.0 X 42	4
12	400020	CONTRATUERCA M5 X 0.8 HHF	2
13	23441	PROTECCIÓN DE LOS DIENTES	2
14	176	PERNO M5 X 0.8 X 10	2
15	13230	ARANDELA 21 MM X 16 MM X 1 MM	1

N.º DE CLAVE	N.º DE PIEZA	DESCRIPCIÓN	CANT.
16	4685	RESORTE DE BLOQUEO DE LA RUEDA	1
17	4684	TUBO DE BLOQUEO DE LA RUEDA	1
18	4600	ESPOLÓN DE ARRASTRE	1
19	18039	PASADOR DE BLOQUEO M8 X 40 MM	1
20	46142	PERNO M6 X 1.0 X 20	2
21	W1200117	ARANDELA M6 X 12 X 1 MM COBRE	2
22	4650	TUERCA M6 X 1.0	2
23	4674	TUBO DE EJE DE LA RUEDA	1
24	4673	SOPORTE DE LA RUEDA	1
25	12811	MANUBRIO INFERIOR	1
26	4687	PERNO M10 X 1.5 X 225 MM	1
27	4678	TUBO DE GUÍA DE LA RUEDA	1
28	4601	CONJUNTO DE DIENTE -A-	1
29	4603	CONJUNTO DE DIENTE -B-	1
30	400023	TUERCA M8 NYLOCK	2

DESGLOSE DE PIEZAS DE TRANSMISIÓN

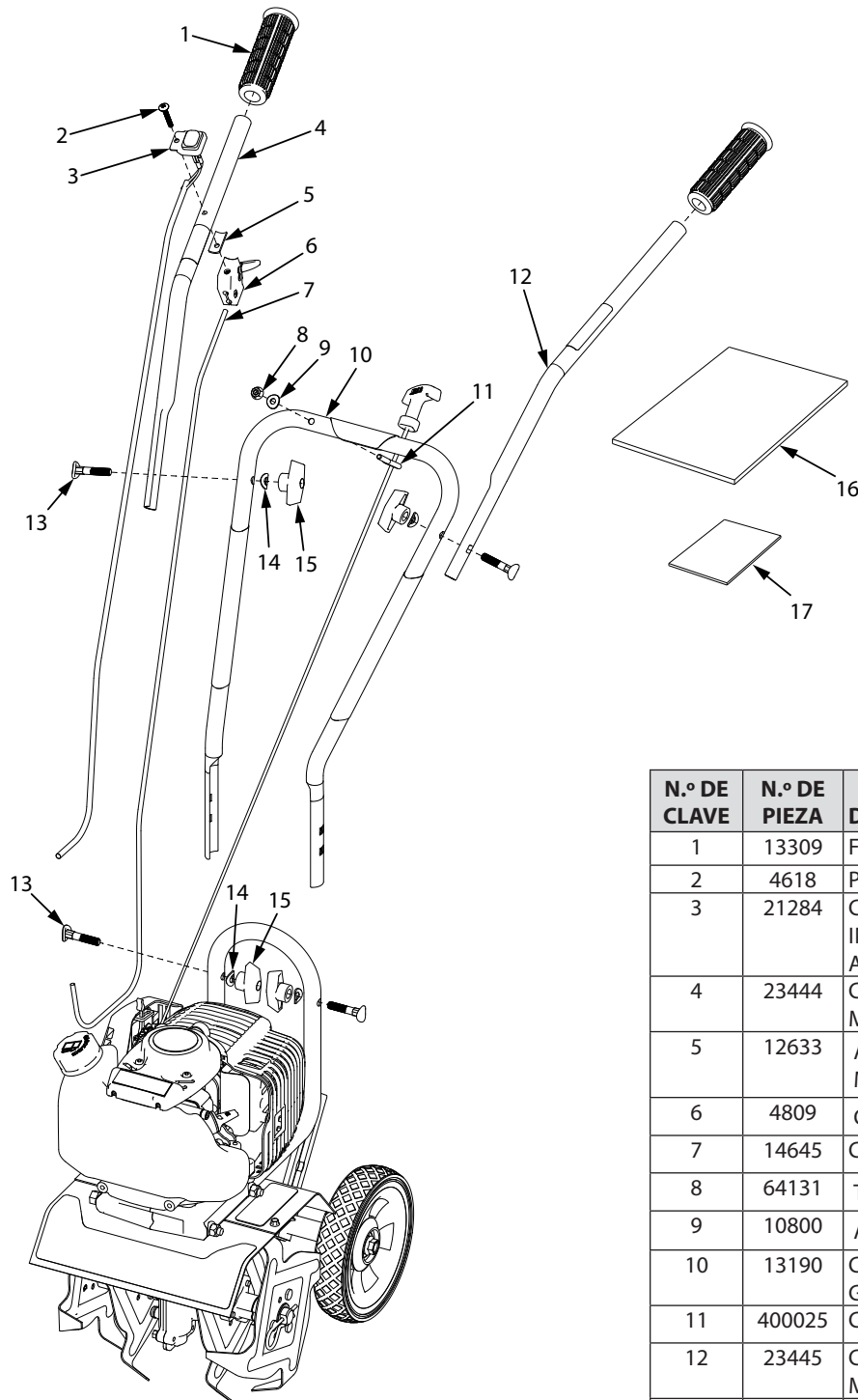


N.º DE CLAVE	N.º DE PIEZA	DESCRIPCIÓN	CANT.
1	26013	CONJUNTO DE TRANSMISIÓN	1
2	46144	TAPA GUARDAPOLVO	2
3	4606	ARANDELA DE FIBRA 38 X 19 X 3.2 MM	2
4	4646	SELLO DEL EJE	2
5*	---	PIEZA FUNDIDA INFERIOR DE TRANSMISIÓN DE MC, LADO IZQUIERDO	1
6	4650	TUERCA M6 X 1.0	2
7	W1200117	LAVADORA M6 X 12 X 1 MM	2
8	4633	MONTAJE DE RUEDA Y ESPOLÓN DE ARRASTRE	1
9	13600	PERNO M6 X 1.0 X 25	2
10	25159	CASQUILLO M19 DIÁM. INT. X DIÁM. EXT. 25.5 REBORDE CON PERFIL EN D	2
11	4610	EJE DE LOS DIENTES CON CUÑA 35 MM X 19 MM X 2.2 MM	2
12	4651	CONJUNTO DE EJE DE LOS DIENTES	1
13	4616	CASQUILLO DEL ESPACIADOR 22 X 11.05 X 2.413 MM	1

N.º DE CLAVE	N.º DE PIEZA	DESCRIPCIÓN	CANT.
14	4614	CASQUILLO M11 DIÁ. INT. X 19 DIÁM. EXT. REBORDE CON PERFIL EN D	2
15	21953	EJE DE TRANSMISIÓN	1
16	4617	RODAMIENTO REDUCTOR DE EMPUJE M11 X DIÁ. EXT. 15 CON REBORDE	12
17	4618	ARANDELA DE EMPUJE 28 X 15 X 1.5 MM	1
18	4619	RODAMIENTO DE EMPUJE 28 X 15 X 2 MM	1
19	4623	RODAMIENTO DE BOLAS 9 MM X 26 MM, SELLO DOBLE	1
20	300414	CONJUNTO DE TAMBOR DEL EMBRAGUE 77.7 MM	1
21	4620	TUERCA M8 X 1.25	1
22*	---	PIEZA FUNDIDA INFERIOR DE TRANSMISIÓN DE MC, LADO DERECHO	1
23	26997	ARANDELA M6 X 12 X 1 MM COBRE	2
24	4647	PERNO CON REBORDE M6 X 1.0 X 18	6
25	13447	PERNO M6 X 1.0 X 8 MM	2
26	4615	ENSAMBLE DEL COJINETE DE EMPUJE	1

*COMPRAR MONTAJE DE TRANSMISIÓN 26013

DESGLOSE DE PIEZAS DEL MANUBRIO



N.º DE CLAVE	N.º DE PIEZA	DESCRIPCIÓN	CANT.
1	13309	FUNDA DE MANILLA TEXTURIZADA	2
2	4618	PERNO 10-24 X 1-1/4	1
3	21284	CONJUNTO DE CABLE DEL INTERRUPTOR DE ENCENDIDO Y APAGADO	1
4	23444	CONJUNTO SUPERIOR DERECHO DE MANUBRIO GRIS	1
5	12633	ALMOHADILLA DE GOMA DEL MANUBRIO 15 MM X 28.5 MM	1
6	4809	CONJUNTO DE GATILLO	1
7	14645	CABLE DEL ACELERADOR	1
8	64131	TUERCA M6 X 1.0	1
9	10800	ARANDELA CURVA M6	1
10	13190	CONJUNTO DE MANUBRIO CENTRAL GRIS	1
11	400025	CÁNCAMO M6 X 12 X 25	1
12	23445	CONJUNTO SUPERIOR IZQUIERDO DE MANUBRIO GRIS	1
13	4642	PERNO FIJADOR DEL MANUBRIO	4
14	4641	ARANDELA	4
15	4640	TUERCA DE LA MANILLA EN T	4
16	23438	BOLSA DE PIEZAS MANUALES	1
17	12621	PIEZAS DE HARDWARE DE LA BOLSA	1

INSTALACIÓN DEL KIT DE BORDEADORA 15073 (ACCESORIO OPCIONAL)

El kit de bordeadora es una herramienta útil para hacer cortes limpios en el césped por los bordes de los jardines, lechos de flores, pasarelas y caminos para obtener una apariencia estilizada. Para instalar el kit de bordeadora, realice lo siguiente:

INSTALACIÓN

1. Para asegurarse de que el cultivador esté detenido, coloque el interruptor ON/OFF en la posición **OFF**.
2. Retire los pasadores de horquilla de ambos extremos del eje de los dientes.
3. Retire los dientes de cultivo del eje.
4. Retire el espolón de arrastre y el pasador de bloqueo de la unidad.
5. Almacene los dientes y guarde los (2) pasadores de horquilla; los usará en el kit de bordeadora.
6. Deslice los dientes de la bordeadora en cada extremo del eje de los dientes. Asegúrese de que el collarín del buje de la bordeadora esté orientado hacia afuera, alejado de la transmisión del cultivador. **CONSULTE LA FIGURA 13**
7. Tome los (2) pasadores de horquilla que guardó en el Paso 4 e insértelos a través de los orificios interiores y exteriores del eje de los dientes en cada extremo de los dientes de la bordeadora para fijar las cuchillas de los dientes en su lugar sobre el eje. **CONSULTE LA FIGURA 13**
8. Deslice la rueda de la bordeadora hacia el lado opuesto del eje de los dientes tanto como sea posible.
9. Inserte el pasador de horquilla (1) restante, que viene con el kit, a través del orificio interior para fijar la rueda. **CONSULTE LA FIGURA 13**
10. Ajuste las ruedas del cultivador en la posición **MÁS ALTA** (arriba). **CONSULTE LA FIGURA 5 (PÁGINA 11)**

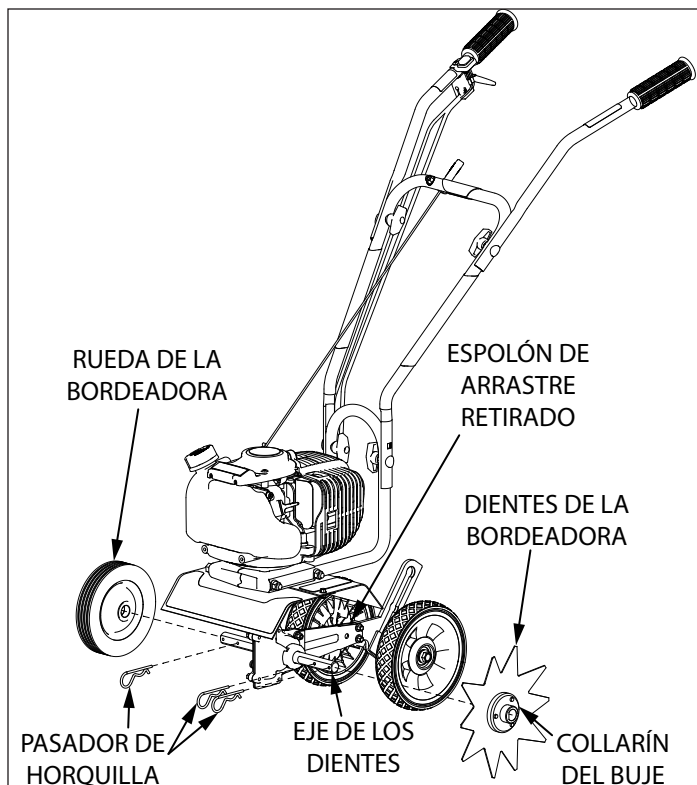
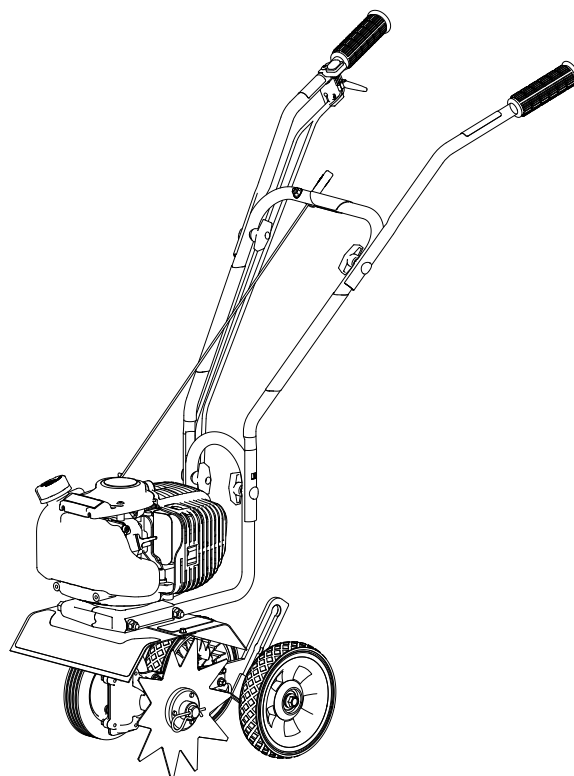


FIGURA 13



Lista detallada de piezas

N.º DE ELEMENTO	N.º DE PIEZA	DESCRIPCIÓN	CANT.
1	15009	DIENTES DE LA BORDEADORA	1
2	46131	RUEDA DE LA BORDEADORA	1
3	46134	PASADOR DE HORQUILLA	1



PRECAUCIÓN

TENGA EN CUENTA QUE EL CULTIVADOR SE PUEDE BALANCEAR HACIA ADELANTE DE MANERA INESPERADA, O MOVER HACIA ADELANTE SI LOS DIENTES GOLPEAN EL HORMIGÓN, EL PAVIMENTO U OTRA SUPERFICIE DURA, ASÍ COMO OBSTÁCULOS Duros ENTERRADOS.

INSTALACIÓN DEL KIT DE ESCARIFICADOR DK43 (ACCESORIO OPCIONAL)

El kit de escarificador es muy efectivo para levantar las capas de paja demasiado apelmazadas que pueden evitar que la humedad, el oxígeno y los nutrientes penetren el suelo y se puedan albergar enfermedades e insectos. Úselo en primavera, verano y otoño para devolverle la vida y el color a su césped.

1. Gire el interruptor ON/OFF a la posición **OFF**. Retire los dientes de cultivo u otras herramientas de trabajo y el espolón de arrastre.
2. Destornille los pernos y tuercas de montaje que conectan el soporte de la rueda al espolón de arrastre y deje el soporte de la rueda a un lado. **CONSULTE LA FIGURA 14**
3. Deslice la protección del escarificador sobre la protección de los dientes de la unidad desde la parte posterior de la unidad y fíjela con pernos y tuercas. **CONSULTE LAS FIGURAS 14 Y 15**
4. Fije la parte inferior de la protección del escarificador al montaje del espolón de arrastre con el pasador de bloqueo. **CONSULTE LAS FIGURAS 14 Y 15**
5. Instale la placa de extensión de la rueda (4676) con los pernos (46142) y tuercas (4650) adicionales. Asegúrese de que la extensión de la rueda esté orientada en la dirección correcta. (El lado, con los dos orificios hacia el borde, se conecta al montaje del espolón de arrastre). **CONSULTE LA FIGURA 14**
 - a. Instale la extensión de la rueda en el montaje del espolón de arrastre con los pernos y tuercas de montaje de la unidad.
 - b. Instale el soporte de la rueda en la extensión de la rueda con los pernos y tuercas que se incluyen en el kit de escarificador.
6. Deslice los conjuntos izquierdo y derecho del escarificador en el eje de los dientes, asegurándose de que el conjunto derecho esté instalado en el lado derecho y de que el conjunto izquierdo esté instalado en el lado izquierdo, según lo defina la posición de usuario. **CONSULTE LA FIGURA 16**
7. Fije los conjuntos de escarificador con los dos pasadores de horquilla (46134) del kit de escarificador a través de los orificios interiores del eje de los dientes. **CONSULTE LA FIGURA 16**

NOTA: NO se debe usar el espolón de arrastre cuando se usa el kit de escarificador.

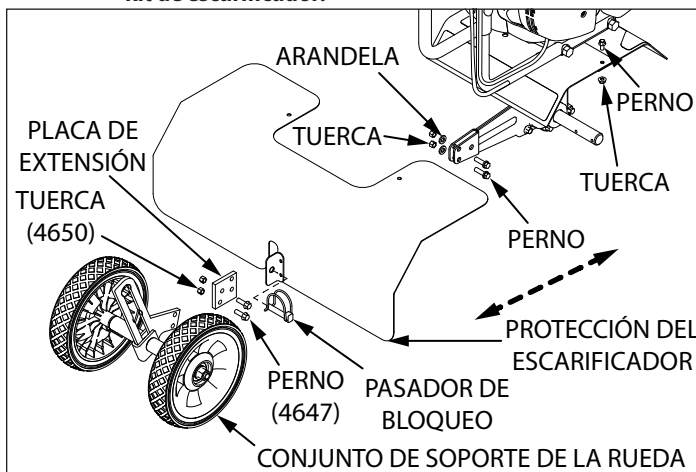


FIGURA 14

N.º DE ELEMENTO	N.º DE PIEZA	DESCRIPCIÓN	CANT.
1	46134	PASADOR DE HORQUILLA	2
2	4647	PERNO M6 X 1.0 X 18 CON BRIDA HEXAGONAL	2
3	4650	TUERCA M6 NYLOCK	2
4	4676	PLACA DE EXTENSIÓN DEL ESCARIFICADOR	1
5	4707	CONJUNTO DE ESCARIFICADOR IZQUIERDO	1
6	4708	CONJUNTO DE ESCARIFICADOR DERECHO	1
7	4710	PROTECCIÓN DEL ESCARIFICADOR	1

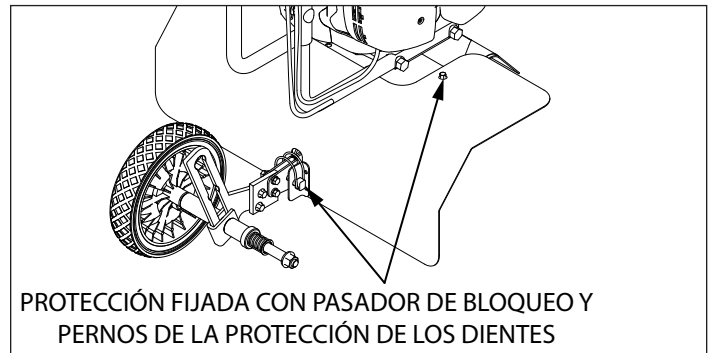


FIGURA 15

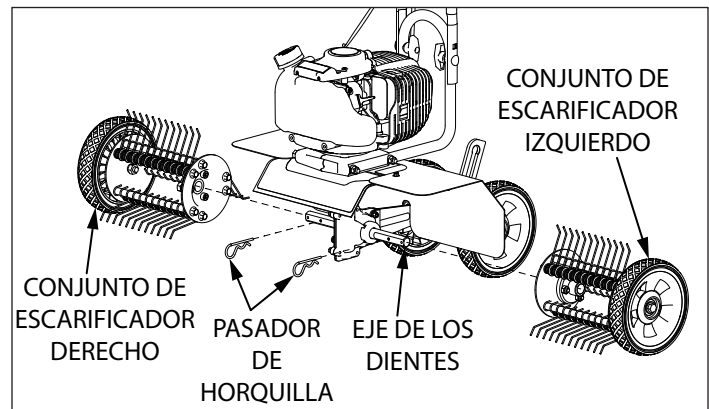
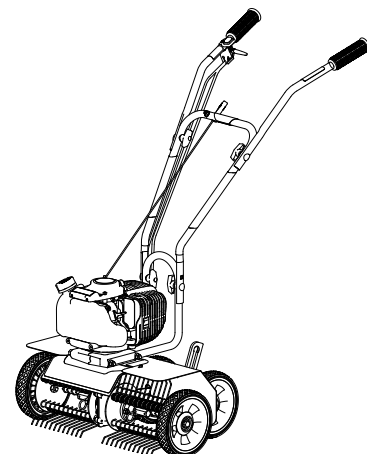


FIGURA 16





TÉRMINOS Y CONDICIONES DE LA GARANTÍA

Ardisam, Inc. (Ardisam) garantiza que este cultivador, conforme a una garantía limitada de cinco años, no presentará defectos en materiales o mano de obra durante un período que no excederá sesenta meses consecutivos desde la fecha de compra original del primer cliente minorista o el primer usuario final comercial. Esta garantía no se aplica al motor montado en el producto. Consulte la garantía de la EPA para conocer los detalles de la garantía del motor. "Uso del cliente" significa uso recreativo personal por parte de un cliente minorista. "Uso comercial" o "aplicación comercial" significan todos los otros usos, entre ellos, para fines comerciales, producción de ingresos o arriendo. Una vez que el producto ha experimentado uso comercial, será considerado de ahí en adelante como un producto de uso comercial para fines de esta garantía. Esta garantía se aplica al dueño original que proporcione un comprobante de compra. Esta garantía no es transferible. El período de garantía comienza en la fecha de compra del primer cliente minorista o usuario comercial final, y continúa durante el período de sesenta meses consecutivos de ahí en adelante. Toda unidad que se use en una aplicación comercial está cubierta por un período de 90 días después de la compra realizada por el primer usuario comercial final. Para que la garantía sea válida, se debe registrar en línea este producto dentro de 30 días de la compra, o bien, se debe completar la tarjeta de garantía y Ardisam la puede recibir, dentro de 30 días desde la compra. Ardisam no estará obligado a pagar los cargos de transporte que sean resultado de la reparación o el reemplazo conforme a los términos de esta garantía. Los cargos por transporte son responsabilidad únicamente del comprador.

Esta garantía excluye los dientes debido al desgaste normal, elementos de desgaste, como ruedas, agarres y cables, elementos de mantenimiento de rutina, como elementos de filtro, juntas tóricas, sellos, lubricantes y ajustes, piezas giratorias, accesorios, como aporcadores-surcadores, kit de bordeadora y kit de escarificador, hacer funcionar el cultivador solo con gasolina o con una proporción de combustible a aceite que no sea 50:1. El uso negligente, como el uso del cultivador para otro fin que no sea para el que se diseñó y fabricó, el uso continuado del cultivador después de un cambio repentino en la vibración, el uso del cultivador infringiendo los códigos locales, las ordenanzas y las buenas prácticas comerciales locales, anulará esta garantía. *Estas garantías solo se aplican a los productos que no se han sometido a un uso negligente, abuso o uso inadecuado, sobrecarga, instalación incorrecta, alteración, accidente, casos fortuitos, (u otros eventos más allá del control de Ardisam), rayos, vandalismo, piezas no autorizadas, o si las reparaciones se realizaron en un centro de servicio no autorizado. Estas garantías no cubrirán los daños derivados del desgaste y deterioro natural, servicios y piezas de mantenimiento normales; como tampoco por instalación, operación, almacenamiento o mantenimiento incorrectos, ni la operación del equipo sobre los límites máximos recomendados, según se indica en este manual y el manual del motor adjunto.

Esta garantía limitada exclusivamente a los defectos en materiales o mano de obra. No existen otras garantías expresas. Las garantías implícitas, entre ellas la de comerciabilidad e idoneidad para un propósito en particular, se limitan a un año desde la compra o en la medida que lo permita la ley. Se excluyen todas las demás garantías implícitas. Se excluye la responsabilidad por daños incidentales o emergentes en la medida que la ley permita dicha exclusión. Ardisam no asume, ni autoriza a ninguna otra persona a asumir por Ardisam, ninguna responsabilidad vinculada con la venta de sus productos. **Para ser "Gratuito", el trabajo de garantía se debe enviar directamente a Ardisam y debe ser realizado por esta o un centro de servicio de garantía autorizado de Ardisam.** Para obtener servicio de garantía o instrucciones de reemplazo, comuníquese con el Departamento de Servicio al Cliente de Ardisam al 800-345-6007. Si decide enviar el producto a Ardisam para reparaciones de garantía, debe contar primero con aprobación previa de Ardisam; para esto, llame al Departamento de Servicio al Cliente de Ardisam para solicitar un número de autorización de devolución de material (RMA#). En estas circunstancias, todos los elementos se deben enviar pagados previamente. Ardisam, a su discreción y sin cargo, reparará o reemplazará las piezas defectuosas a las que corresponda la garantía. Ardisam se reserva el derecho a cambiar modelos, especificaciones y precios sin previo aviso. Ardisam no estará obligado a enviar cualquier producto de reparación ni de repuesto a lugares fuera de los Estados Unidos de América o Canadá. Algunos estados o países no permiten las limitaciones en cuanto a la duración de una garantía implícita, o la exclusión o limitación de daños incidentales o indirectos, de modo que es posible que la limitación anterior no se aplique en su caso. Esta garantía le otorga derechos legales específicos y puede que además tenga otros derechos que varían entre los estados y países.



Earthquake[®], Division of Ardisam,
Inc.

1160 8th Avenue, PO Box 666
Cumberland, WI 54829

800-345-6007 | Fax 715-822-2223

E-mail/Courriel/Correo electrónico:
info@getearthquake.com

All weights, specifications and features are approximate and are subject to change without notice. Due to continuous product improvements, product images may not be exact. Items used for props not included. Some assembly may be required.

Tous les poids, spécifications et caractéristiques indiqués sont approximatifs et sujets à modification sans préavis. En raison des constantes améliorations de nos produits, les représentations du produit peuvent être inexactes. Les accessoires représentés ne sont pas compris. Un certain assemblage peut être requis.

Todos los pesos, especificaciones y características son aproximados y están sujetos a cambios sin previo aviso. Debido a las constantes mejoras en los productos, las imágenes de estos podrían no ser exactas. Los elementos que se usan como accesorios no vienen incluidos. Es posible que se requiera montar algunas piezas.

Check for parts online at www.getearthquake.com or call 800-345-6007 M-F 8-5