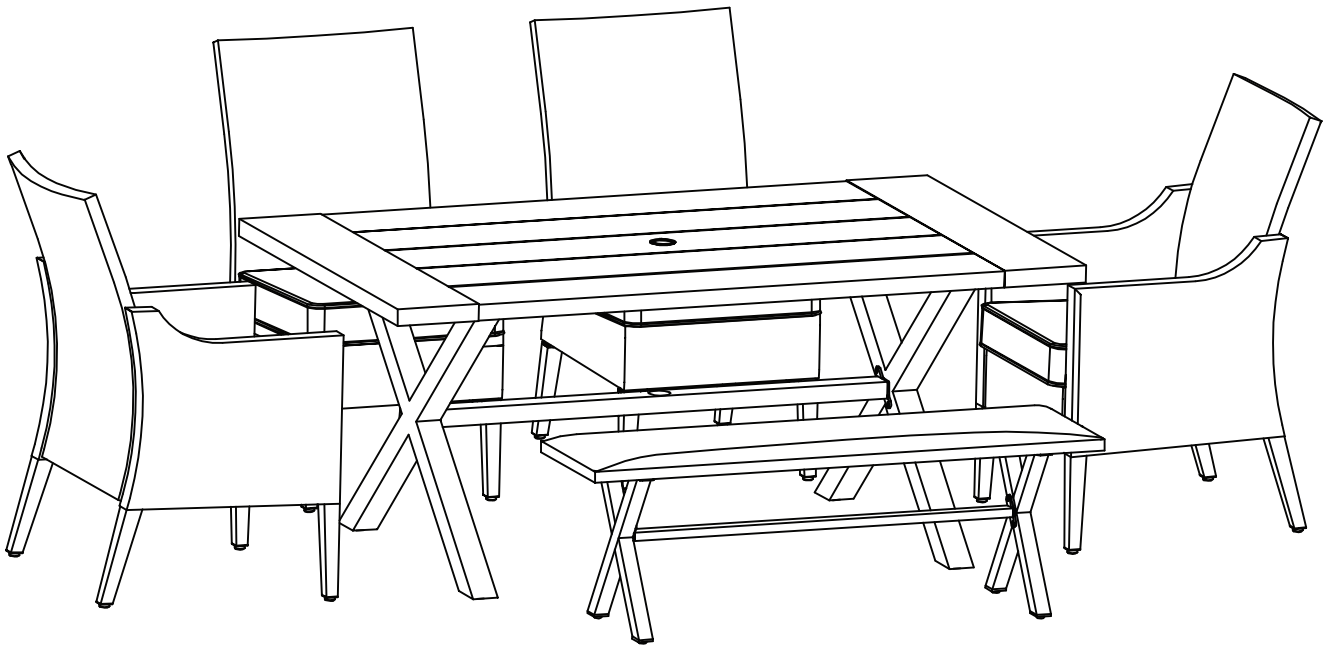


Item #1005 609 599
Model #FRS81146-ST-1

HAMPTON BAY[®]

USE AND CARE GUIDE

ROCK CLIFF 6-PC DINING SET



Questions, problems, missing parts? Before returning to the store,
call Hampton Bay Customer Service
8 a.m. - 7 p.m., EST, Monday – Friday, 9 a.m. – 6 p.m., EST, Saturday

1-855-HD-HAMPTON

HAMPTONBAY.COM

THANK YOU

We appreciate the trust and confidence you have placed in Hampton Bay through the purchase of this dining set. We strive to continually create quality products designed to enhance your home. Visit us online to see our full line of products available for your home improvement needs. Thank you for choosing Hampton Bay!

Table of Contents

Table of Contents	2	Arm Chair Package Contents	4
Important Safety Instructions	2	Armless Chair Package Contents	5
Save These Instructions	2	Bench Package Contents	5
Read All Instructions before Use	2	Table Package Contents	6
Warranty	3	Arm Chair Assembly	7
What is covered	3	Armless Chair Assembly	10
What is not covered	3	Bench Assembly	11
Pre-Assembly	3	Table Assembly	13
Planning Assembly	3	Care and Cleaning	14
Hardware Included	4		

Important Safety Instructions

SAVE THESE INSTRUCTIONS



WARNING: THIS SET WAS MADE FOR THE EXPLICIT PURPOSE OF PROVIDING OUTDOOR FUNCTIONS AND IS NOT TO BE USED AS A TOY. THIS PRODUCT IS INTENDED FOR NORMAL OUTDOOR USE. HOWEVER, THE MANUFACTURER RECOMMENDS STORING AND/OR COVERING THIS PRODUCT WHEN ANY FORMIDABLE/SEVERE WEATHER IS APPROACHING.



WARNING: DO NOT LOCATE THIS PRODUCT NEAR OPEN FLAMES. DO NOT USE THIS PRODUCT AS A SUPPORT. DO NOT SHAKE, LEAN OR CLIMB ON THE PRODUCT. CHILDREN UNDER THE AGE OF 10, NEAR THE PRODUCT, SHOULD BE SUPERVISED BY A COMPETENT ADULT AT ALL TIMES. THIS PRODUCT IS NOT INTENDED FOR COMMERCIAL USE, AND COMMERCIAL USE WILL VOID THE WARRANTY.

READ ALL INSTRUCTIONS BEFORE USE

To reduce the risk of injury to persons:

1. Close supervision is necessary when this furnishing is used by or near children, or disabled persons, if applicable.
2. Use this furnishing only for its intended use as described in these instructions. Do not use attachments not recommended by the manufacturer.
3. Do not move the chair while it is occupied. Failure to obey this caution could result in injury.
4. This table is not intended to support an umbrella. Umbrellas must have a suitable base or stand.



CAUTION: When not in use, secure the product in a cool and covered location.



CAUTION: Do not locate the product near any heat sources.



WARNING: Weight limit for each chair is 250 lbs (113.39 kg) for each seat.



WARNING: Please keep children out of the assembly area before assembly.



WARNING: This set is heavy and may require two adults for safe assembly.



WARNING: Never use this product as a support. Do not shake, lean, or climb on the product at any time.



WARNING: Do not place heavy objects on the set.

Warranty

3 YEAR FRAME AND 3 YEAR FABRIC LIMITED WARRANTY

WHAT IS COVERED

We warrant the frames to be free of manufacturing defects to the original purchaser for three years, and offer a three year limited warranty for the fabric.

WHAT IS NOT COVERED

It remains the customer's responsibility for freight and packaging charges to and from our service center. This warranty does not cover commercial use, hardware, acts of nature, fire, freezing and abusive use. In addition, purchased parts are not covered under this warranty. We reserve the right to make substitutions with similar merchandise, if the model in question is no longer in production.

Contact the Customer Service Team at 1-855-HD-HAMPTON or visit www.HAMPTONBAY.com.

Pre-assembly

PLANNING ASSEMBLY

- Read all instructions before assembly.
- To avoid damaging this product, assemble it on a soft, non-abrasive surface such as carpet or cardboard.



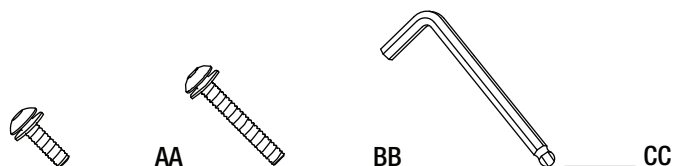
NOTE: More than one person may be required to assemble this product.

Pre-assembly (continued)

HARDWARE INCLUDED

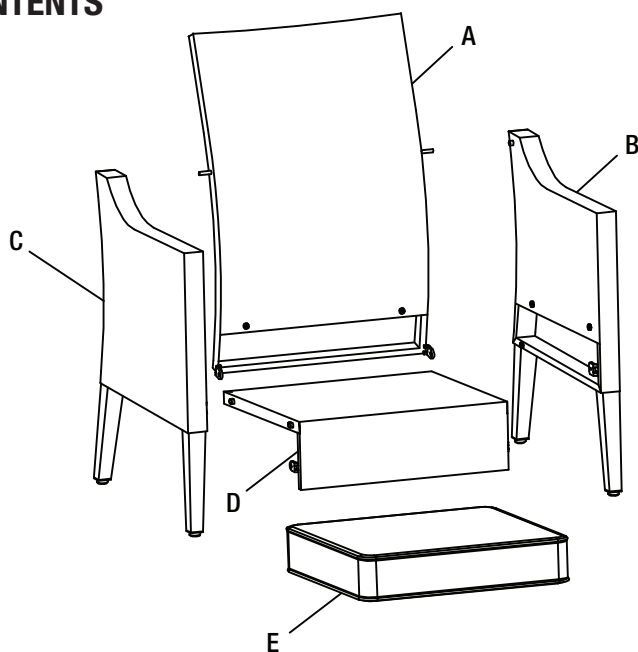


NOTE: Hardware not shown to actual size.



Part	Description	Quantity
AA	M6x20 Combination Bolt	60+2
BB	M6x40 Combination Bolt	12+1
CC	Hex Wrench	2

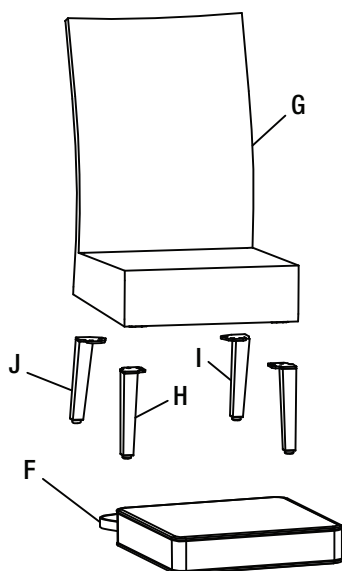
ARM CHAIR PACKAGE CONTENTS



Part	Description	Quantity
A	Chair Back	2
B	Left Arm	2
C	Right Arm	2
D	Chair Seat	2
E	Seat Cushion	2

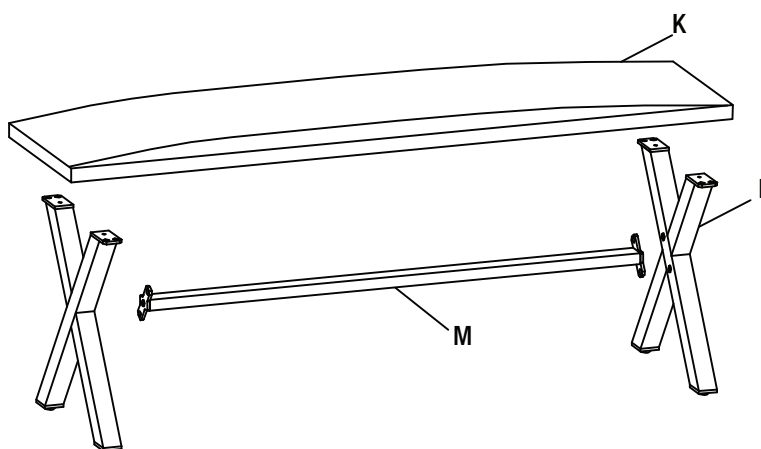
Pre-assembly (continued)

ARMLESS CHAIR PACKAGE CONTENTS



Part	Description	Quantity
F	Armless Chair Seat Cushion	2
G	Armless Chair Seat	2
H	Front Leg	4
I	Left Rear Leg	2
J	Right Rear Leg	2

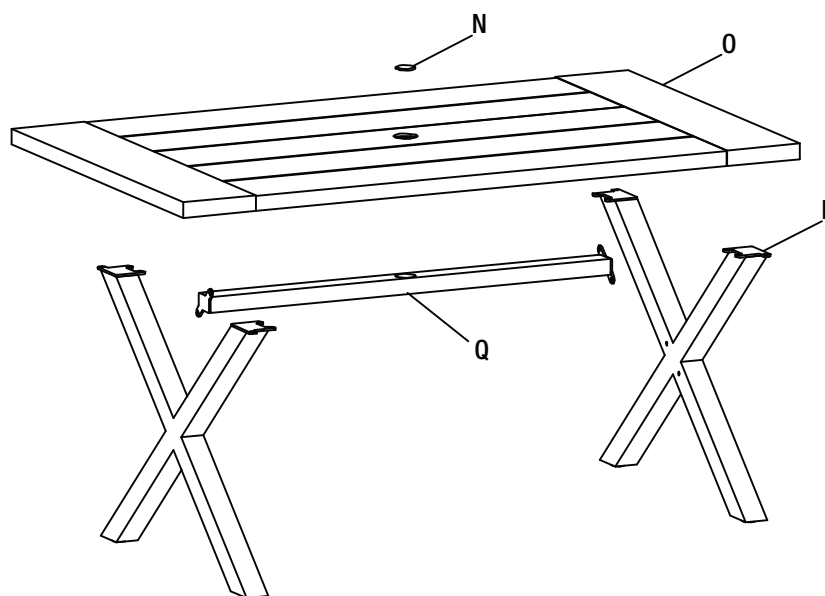
BENCH PACKAGE CONTENTS



Part	Description	Quantity
K	Bench Top	1
L	Bench Leg	2
M	Bench Leg Connector	1

Pre-assembly (continued)

TABLE PACKAGE CONTENTS

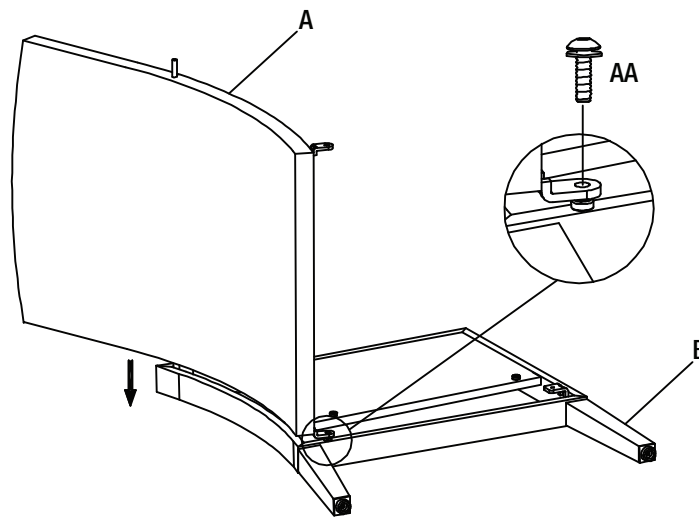


Part	Description	Quantity
N	Umbrella Ring Cover	1
O	Table Top	1
P	Table Leg	2
Q	Leg Connector	1

Arm Chair Assembly

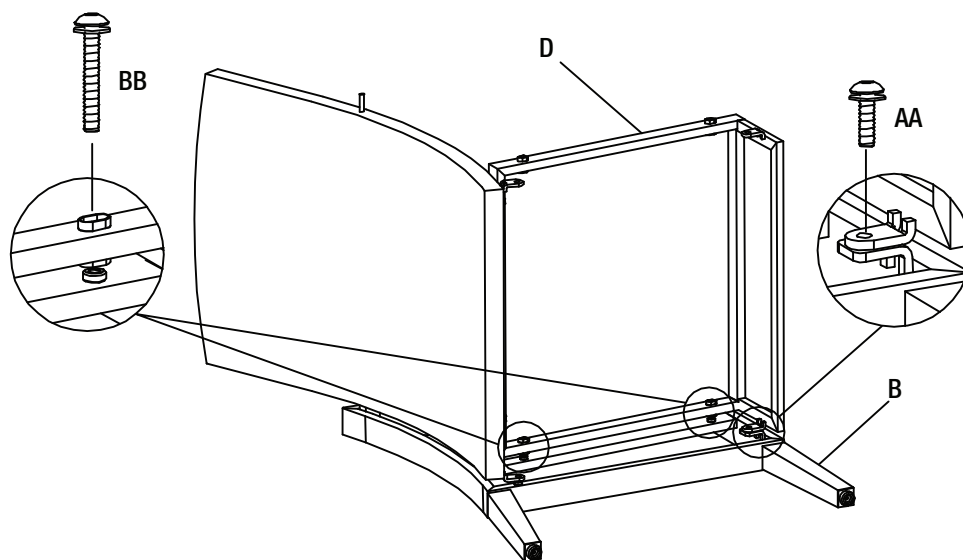
1 Connecting the Chair Back to the Left Arm

- Place the left arm (B) on a soft surface.
- Insert the chair back (A) into the left arm (B).
Loosely tighten using an M6x20 combination bolt (AA).
- Do not fully tighten the bolt at this step.



2 Attaching the Chair Seat to the Left Arm

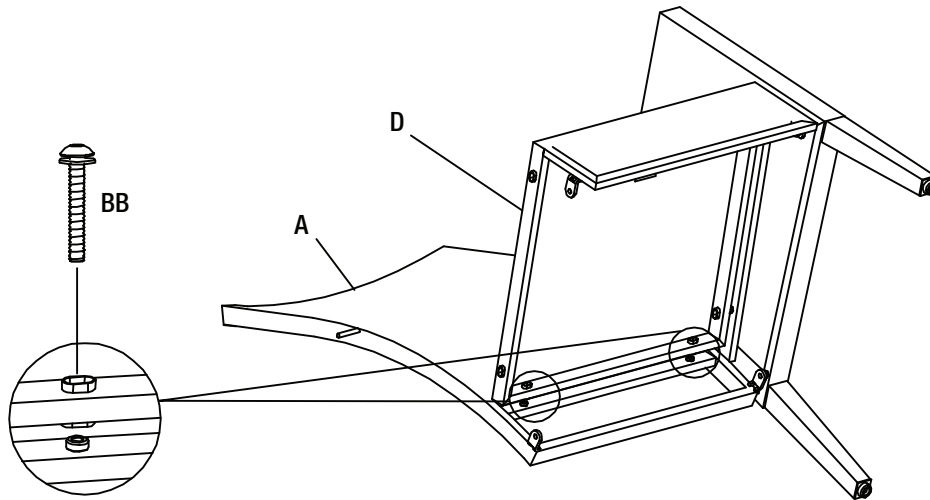
- Attach the chair seat (D) to the left arm (B) using M6x40 combination bolts (BB) and an M6x20 combination bolt (AA), as shown below.
- Do not tighten all bolts at this step.



Arm Chair Assembly (continued)

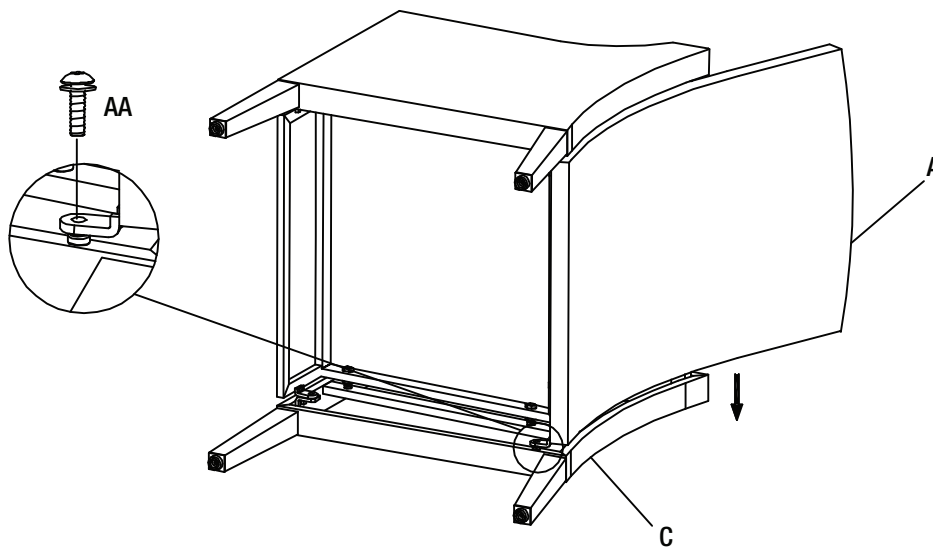
3 Attaching the Chair Seat to the Chair Back

- Place the chair back (A) on a soft surface.
- Attach the chair seat (D) to the chair back (A) using M6x40 combination bolts (BB).
- Do not tighten any of the bolts at this step.



4 Attaching the Right Arm to the Chair Back

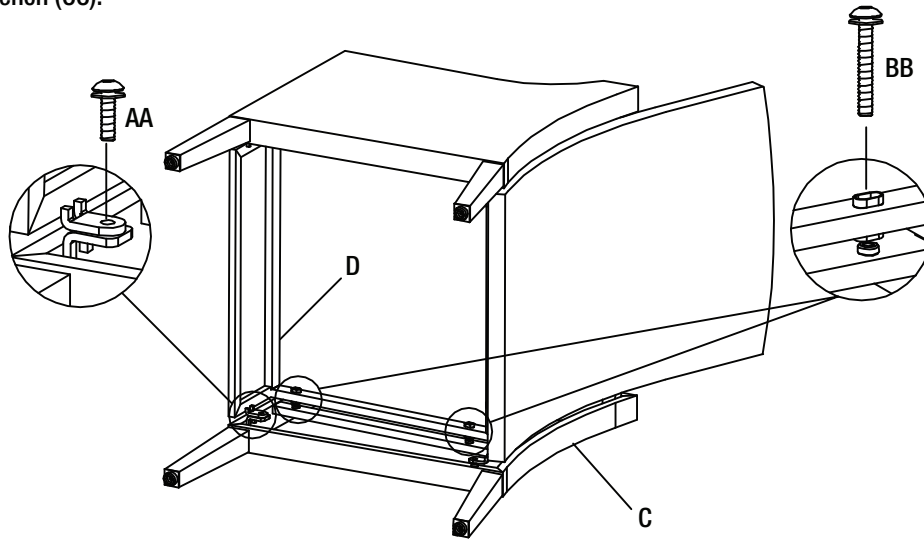
- Insert the chair back (A) into the right arm (C). Loosely tighten using an M6x20 combination bolt (AA).
- Do not fully tighten the bolt at this step.



Arm Chair Assembly (continued)

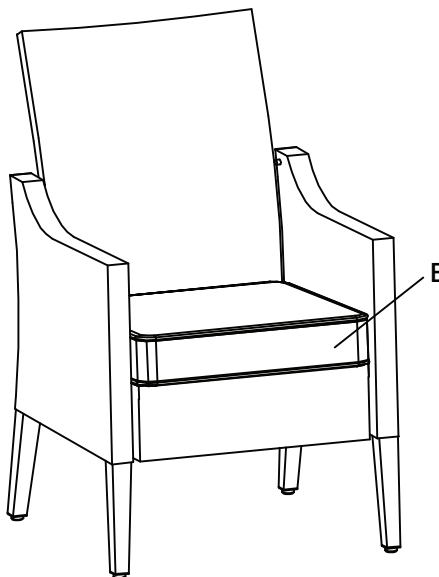
5 Attaching the Right Arm to the Chair Seat

- Attach the chair seat (D) to the right arm (C) using M6x40 combination bolts (BB) and an M6x20 combination bolt (AA).
- Once all of the bolts are in place, fully tighten all the bolts using the hex wrench (CC).



6 Checking the Arm Chair

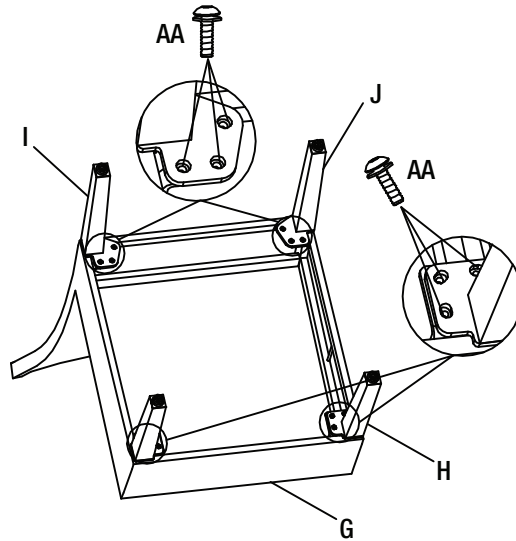
- Turn the arm chair right side up.
- Place the seat cushion (E) to finish the arm chair assembly.
- Ensure all connections are secure before use.



Armless Chair Assembly

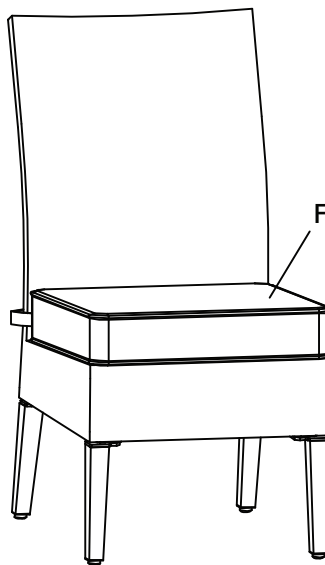
1 Attaching the Armless Chair Legs to the Armless Chair Seat

- Place the armless chair seat (G) upside down on a soft surface.
- Attach the left rear leg (I), the right rear leg (J) and the two front legs (H) to the armless chair seat (G) using M6x20 combination bolts (AA).
- Fully tighten all the bolts using the hex wrench (CC).



2 Checking the Armless Chair

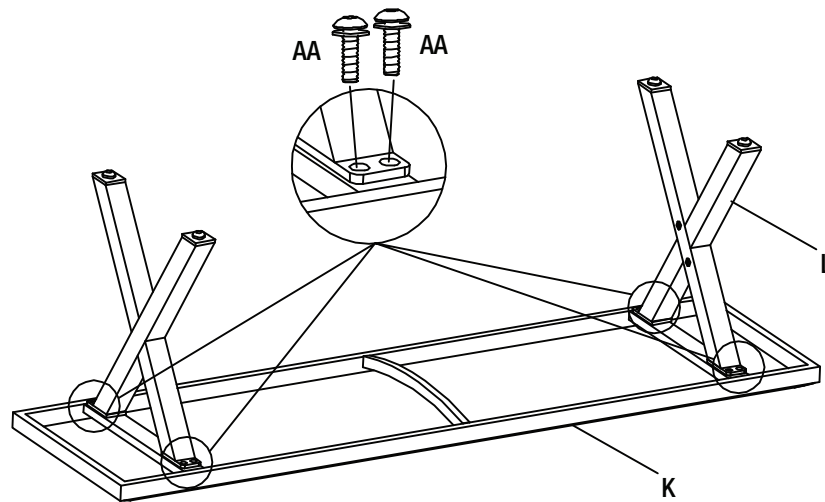
- Turn the armless chair right side up.
- Place the armless chair seat cushion (F) to finish the armless chair assembly.
- Ensure all connections are secure before use.



Bench Assembly

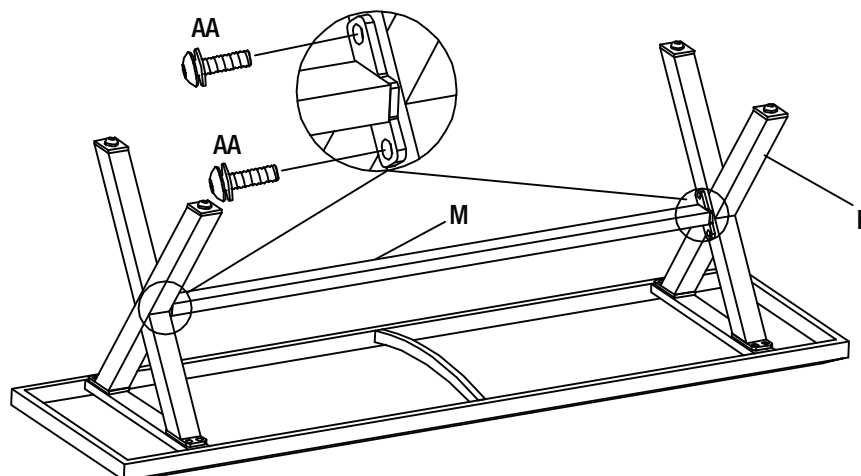
1 Attaching the Bench Legs to the Bench Top

- Place the bench top (K) upside down on a soft surface.
- Attach the bench legs (L) to the bench top (K) using M6x20 combination bolts (AA).
- Do not fully tighten the bolts at this step.



2 Attaching the Bench Leg Connector to the Bench Legs

- Attach the bench leg connector (M) to the bench legs (L) using M6x20 combination bolts (AA).
- Once all of bolts are in place, fully tighten all the bolts using the hex wrench (CC).



Bench Assembly (continued)

3 Checking the Bench

- Turn the bench right side up.
- Ensure all connections are secure before use.

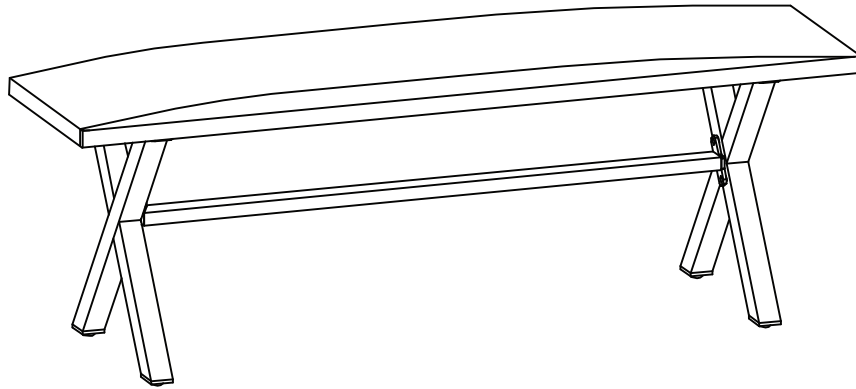
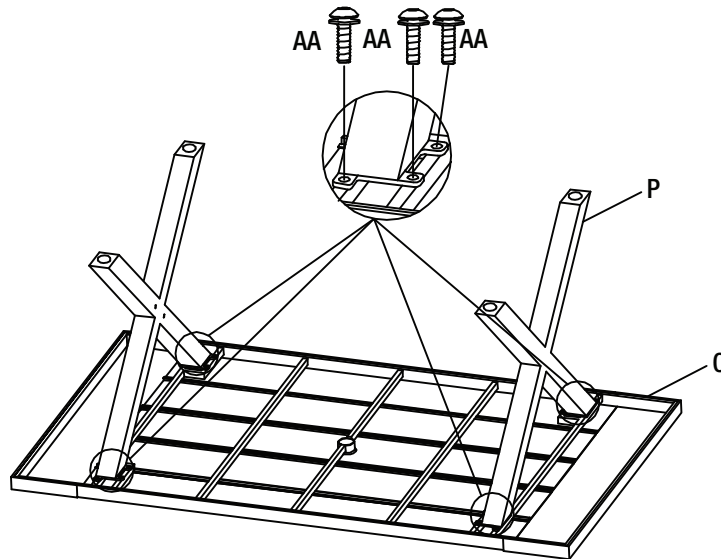


Table Assembly

1 Attaching the Table Legs to the Table Top

- Place the table top (O) upside down on a soft surface.
- Attach the two table legs (P) to the table top (O) using M6x20 combination bolts (AA).
- Do not fully tighten the bolts at this step.



2 Attaching the Leg Connector to the Table Legs

- Attach the leg connector (Q) to the table legs (P) using M6x20 combination bolts (AA).
- Once all of bolts are in place, fully tighten all the bolts using the hex wrench (CC).

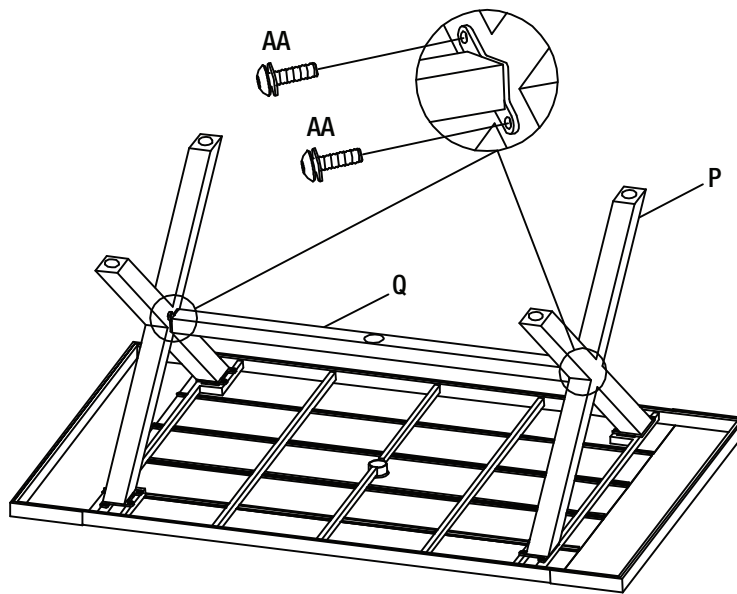
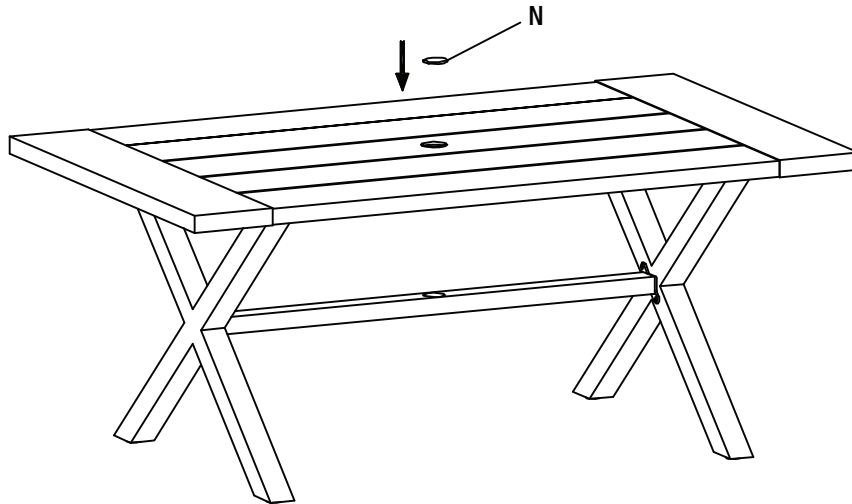


Table Assembly (continued)

3 Checking the Table

- Turn the table right side up.
- Put the umbrella ring cover (N) onto the table top.
- Ensure the table is tightly assembled and stable before use.



Care and Cleaning

- For best results, clean the frame and fabric with a damp cloth and dry thoroughly. This will help prevent mildew by removing dirt particles that may accumulate.
- Do not clean with abrasive materials, bleach or solvents.
- Store the set in a dry, sheltered place when not in use.
- Keep the set away from fire, extreme heat, freezing conditions, and inclement weather such as rain, hail, sleet, snow, or wind.

HAMPTON BAY[®]

Questions, problems, missing parts? Before returning to the store,
call Hampton Bay Customer Service
8 a.m. – 7 p.m., EST, Monday – Friday, 9 a.m. – 6 p.m., EST, Saturday

1-855-HD-HAMPTON

HAMPTONBAY.COM

Retain this manual for future use.

For certification use only
Factory Arm Chair ID #FRS81146 Factory Armless Chair ID #FRS81146B Factory Bench ID #FRS81146F Factory Table ID #FTS61341