

# INSTALLATION AND SAFETY INSTRUCTIONS HC-207

U.S. PATENT #5,465,199

## FOR YOUR SAFETY

**WARNING:** BE SURE THE ELECTRICITY TO THE WIRES YOU ARE WORKING ON IS SHUT OFF; EITHER THE FUSE REMOVED OR THE CIRCUIT BREAKER OFF.

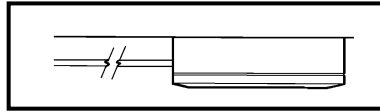
**RISK OF FIRE:** Exceeding maximum wattage may result in over-heating conductors. Read instructions carefully. If you are unclear as to how to proceed, consult a qualified electrician.

**CAUTION: RISK OF FIRE. Use only 12V lamps with 12V systems. Use of 12V lamps with 24V system may result in damage to the system and surrounding area.**

**CAUTION: RISK OF FIRE. Must use Sea Gull No. 9488 fused plug if used with transformers over 60w at 12 volts or 100w at 24 volts. (USE ONLY WITH AMBIANCE 105° CABLE)**

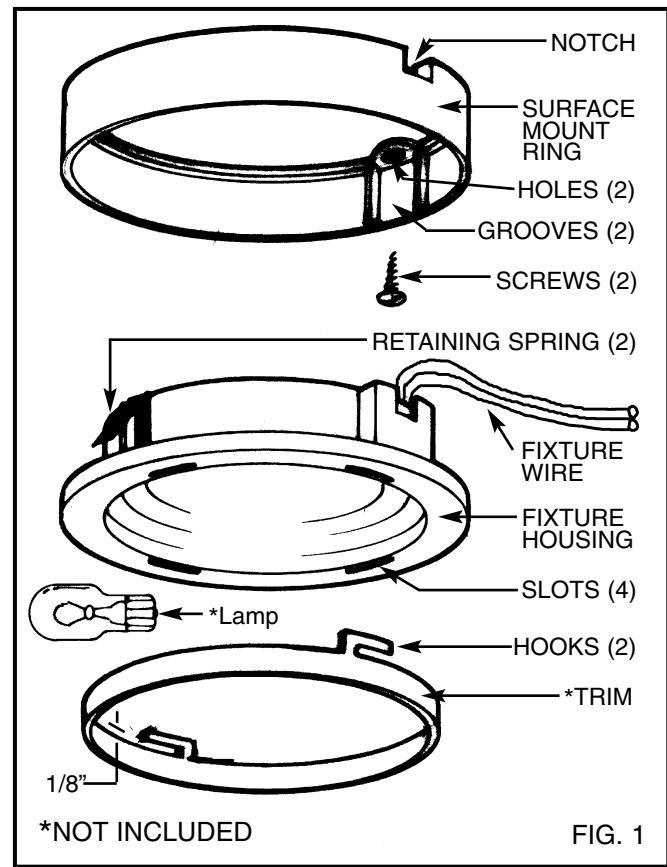
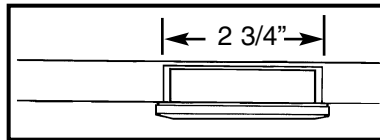
## SURFACE MOUNTING

1. Secure surface mount ring to surface by marking hole location on surface and screw surface mount ring to surface making sure surface mount ring does not flex out of round.
2. Drill wire exit hole in surface or run wire thru notch in surface mount ring.
3. Line up retaining springs on fixture housing with grooves in surface mount ring and press fixture housing into surface mount ring.



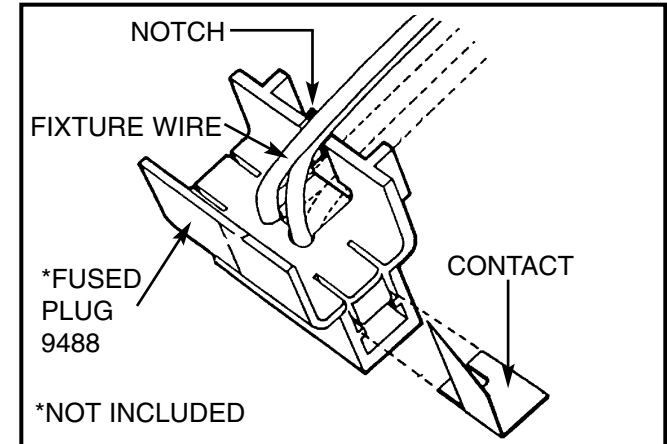
## RECESS MOUNTING

1. Drill a 2 3/4" dia. hole in surface.
2. Press fixture housing into 2 3/4" dia. hole.



## FUSED PLUG INSTALLATION (NOT INCLUDED)

1. Cut wire to desired length.
2. Split ends of wire about (1/2") and insert each end of the wire as far as possible into the plug. Do not strip any insulation off the wire.
3. Insert contact into one end of plug and press, or use pliers until contact is flush with plug. Repeat with other contact (see illustration).
4. Twist wires sideways, insert into notch in plug and twist back straight.
5. Snap plug on cable.
6. Install lamp (18w max.)(not included).



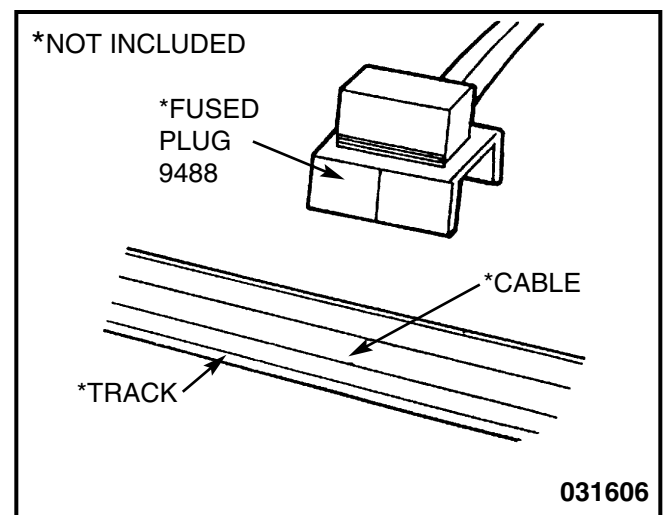
## TRIM INSTALLATION

1. Secure trim (not included) to fixture housing by inserting hooks on trim into two of the four slots in fixture housing and twist clockwise until trim snaps in place. Bend hooks up slightly (max. 1/8") if trim is too hard to turn and lock into position on housing.

**WARNING:** Use of other manufacturers components will void warranty, U.L. listing and create a potential safety hazard.

**RISK OF FIRE: DO NOT REMOVE REFLECTOR.**

**CAUTION RISK OF FIRE. 12V LAMPS MUST NOT BE USED IN A 24V SYSTEM. INSTALL CABLE SO THAT CAUTION PRINTED ON CABLE IS VISIBLE AFTER INSTALLATION AND ATTACH THE 24V CAUTION LABELS (SUPPLIED WITH THE 24V TRANSFORMER) ON OR ALONG THE TRACK EVERY 4 FT.**



**FINAL INSTALLATION AND FUSING HC-207**

There are several ways to install the 9485 (disk-lights) using the 9774, 18w, 12V xenon lamps (actual consumption = 16.2w):

1. When using a 60w max transformer (class II) you are able to directly hook up three (3) 9485 to the junction box as in Figure 1.
2. For a run larger than three (3) disk-lights you must use a class I transformer (larger than 60w). The following example demonstrates a run of eight (8) 9485 disk-lights (8 x 16.2w each = 130w), in this case you will need to use a 150w transformer.

Figure 2 demonstrates fusing each individual disk light, with a 9488 fused plug.

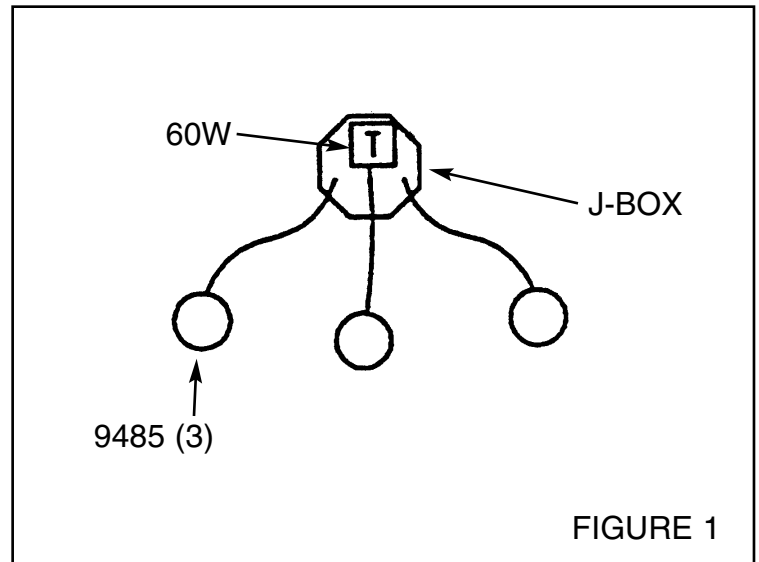


FIGURE 1

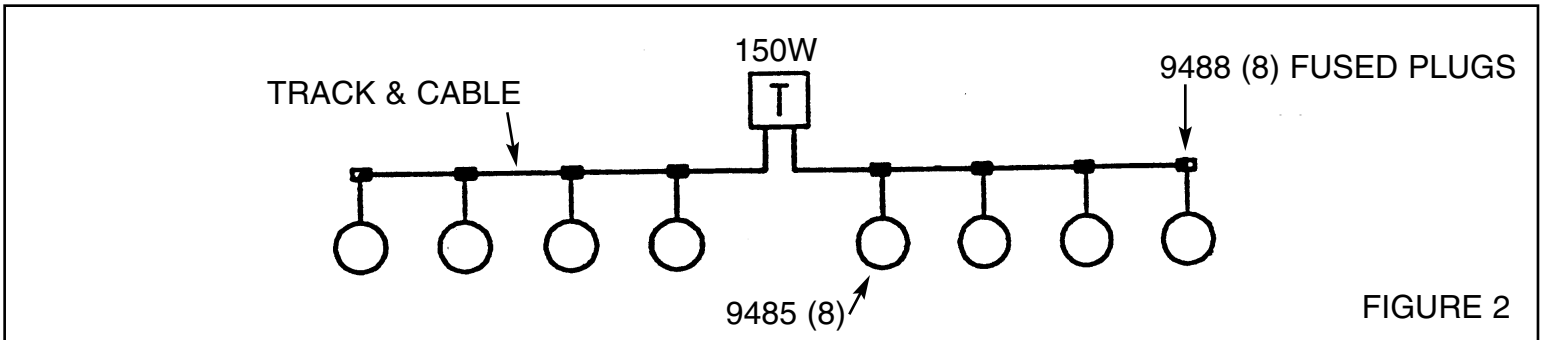


FIGURE 2