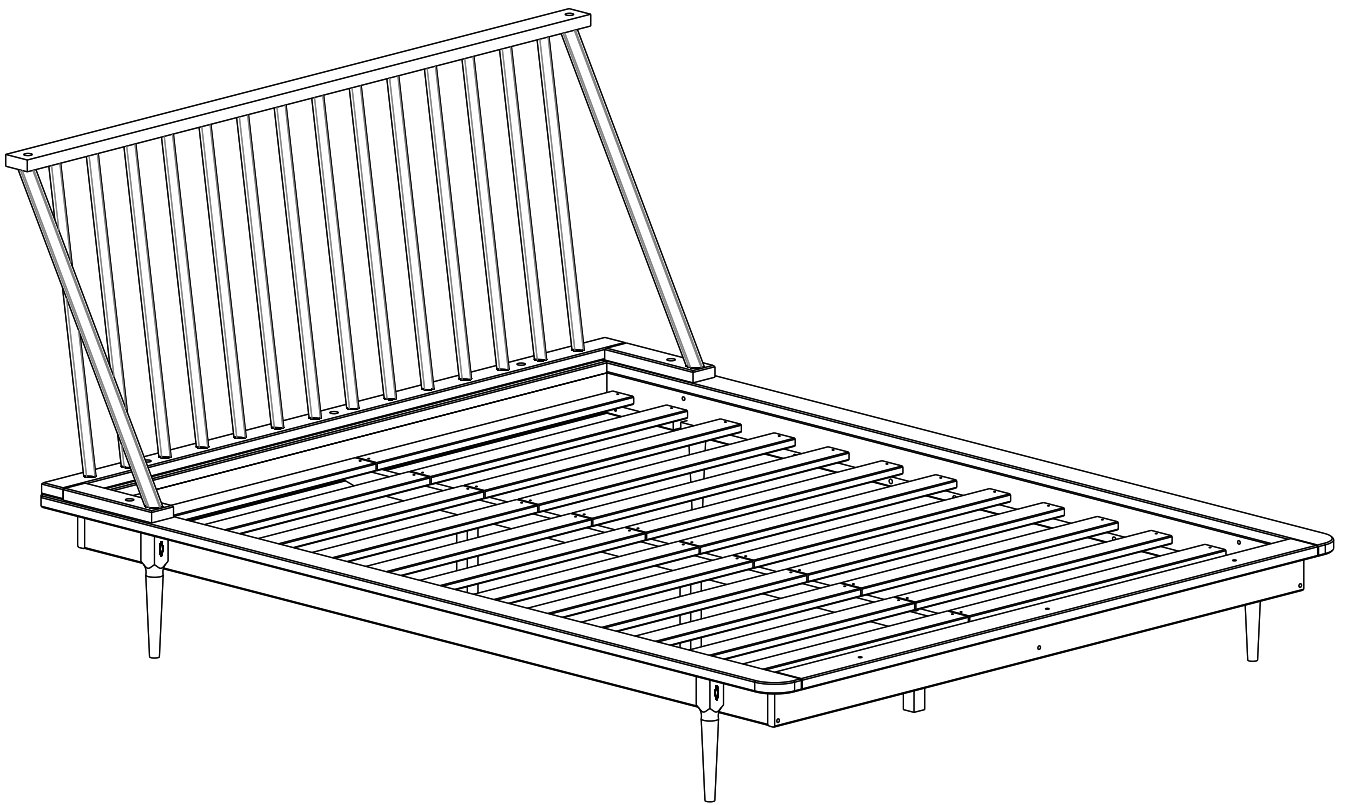


Item # : BQSPIN Assembly Instructions



Walker
Edison®

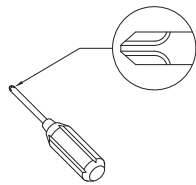
Please visit our website for the most current instructions, assembly tips, report damage, or request parts. www.walkerredison.com

Revised 01/2019

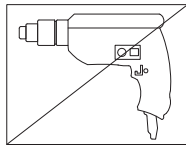
Copyright © 2018, by Walker Edison Furniture Co., LLC. All rights reserved.

General Assembly Guidelines

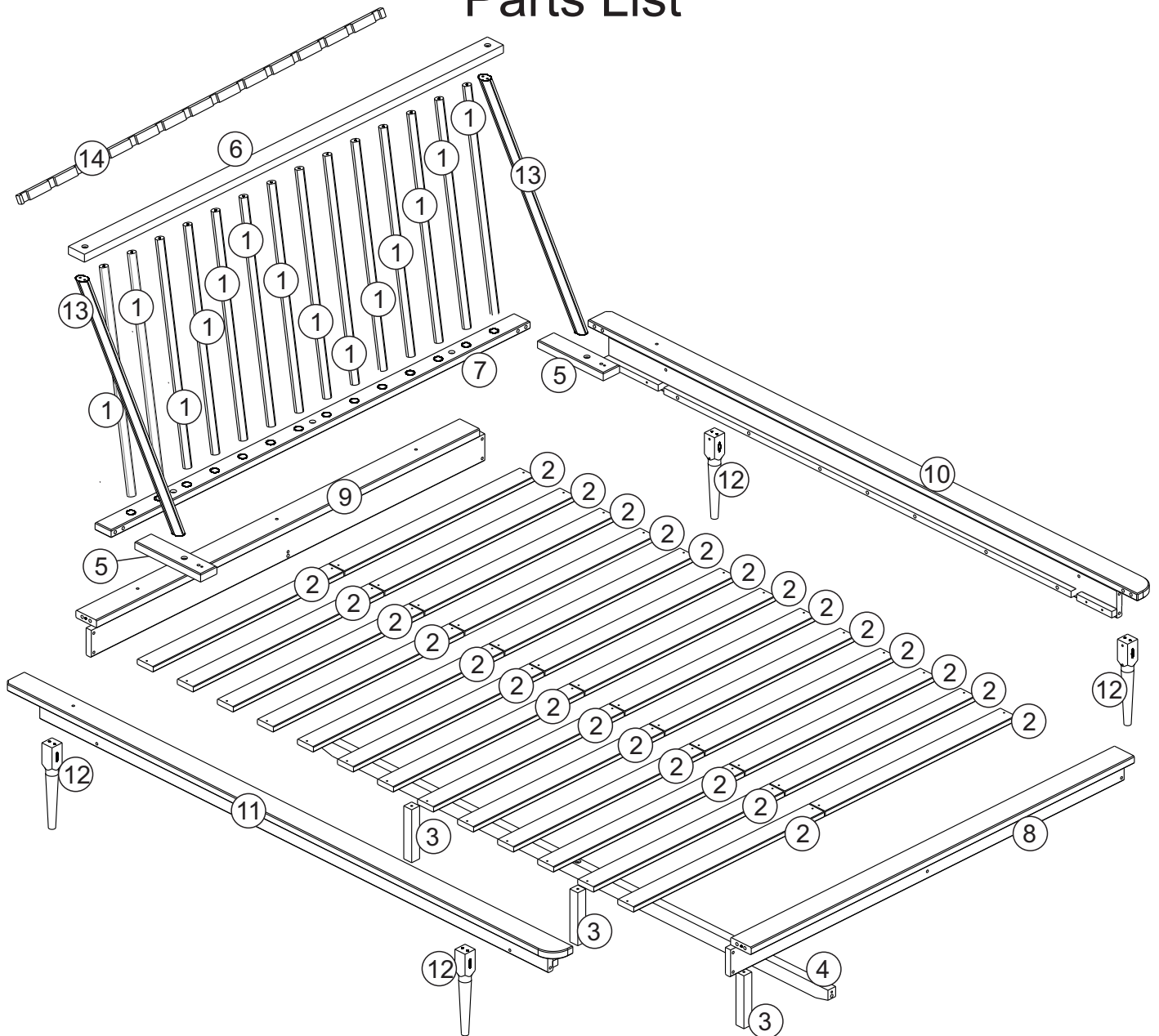
- I. Ensure that all parts and hardware are available before beginning assembly.
- II. Follow each step carefully to ensure the proper assembly of this product.
- III. Two people are recommended for ease in the assembly of this product.
- IV. The three main types of hardware used to assemble this product are : wood dowels , screws and bolts.
- V. A Phillips head screwdriver is required for the assembly of this product .



- VI. Power tools should not be used to assemble this product .











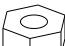
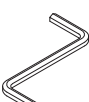

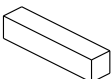

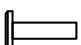


Parts List

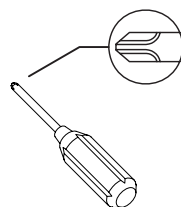


- Part 1: Spindle
- Part 2: Slat
- Part 3: Legs
- Part 4: Cross bar
- Part 5: Bracket
- Part 6: Top rail
- Part 7: Bottom rail
- Part 8: Front rail
- Part 9: Back rail
- Part 10: Right side rail
- Part 11: Left side rail
- Part 12: Feet
- Part 13: Support beam
- Part 14: Spindle Support Rail (For assembly use only)

Hardware List

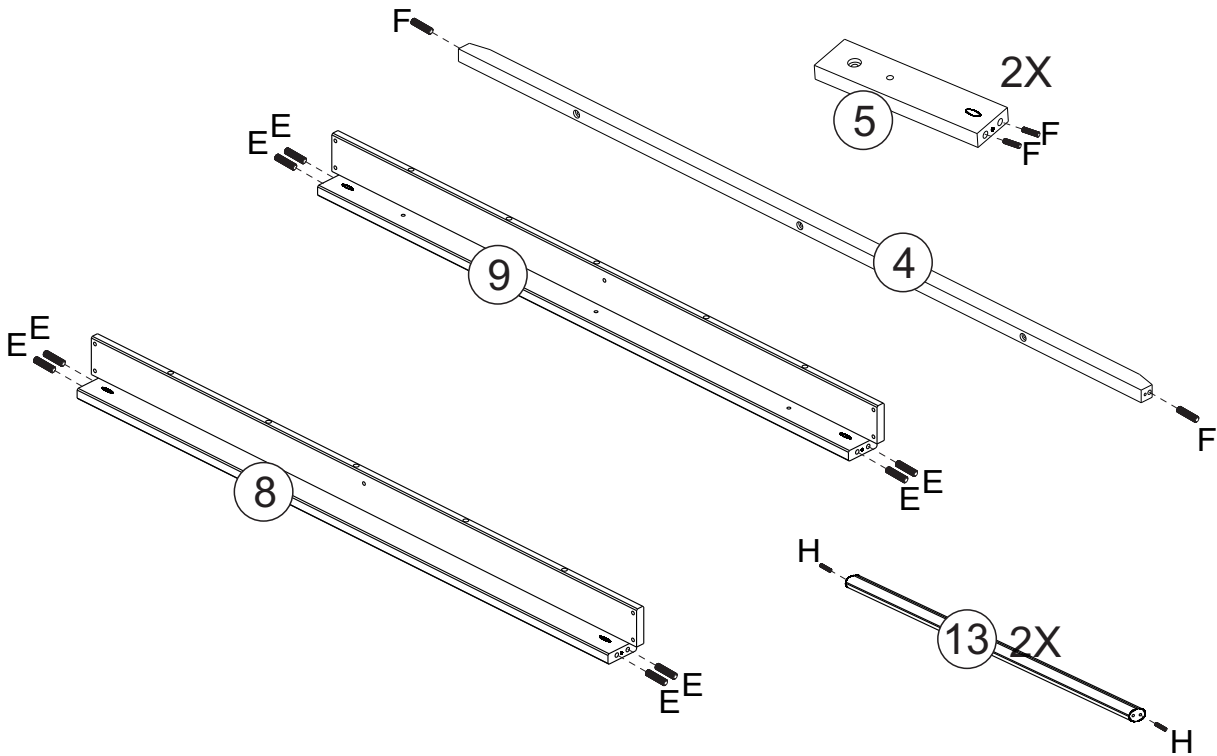
A		Ø7x70 mm	Bolt Black	13 pcs
B		Ø3.5x30 mm	Screw Black	52 pcs
C		Ø3.5x30 mm	Screw Black	42 pcs
D		Ø7x50 mm	Bolt Black	8 pcs
E		Ø10x50 mm	Wood dowel	08 pcs
F		Ø10x40 mm	Wood dowel	06 pcs
G		Ø10x30 mm	Wood dowel	02 pcs
H		Ø6x30 mm	Wood dowel	04 pcs
I		Ø 1/4"x60 mm	Bolt Black	05 pcs
J			Washer	05 pcs
K			Nut	05 pcs
L			Hex key	02 pcs
M			Wrench	01 pcs
N			Spacer	02 pcs
O		Ø1/4"X50mm	Screw Black	04 pcs
P		Ø1/4 "	Union Screw	04 pcs

Philips head screwdriver required for assembly
(not included)



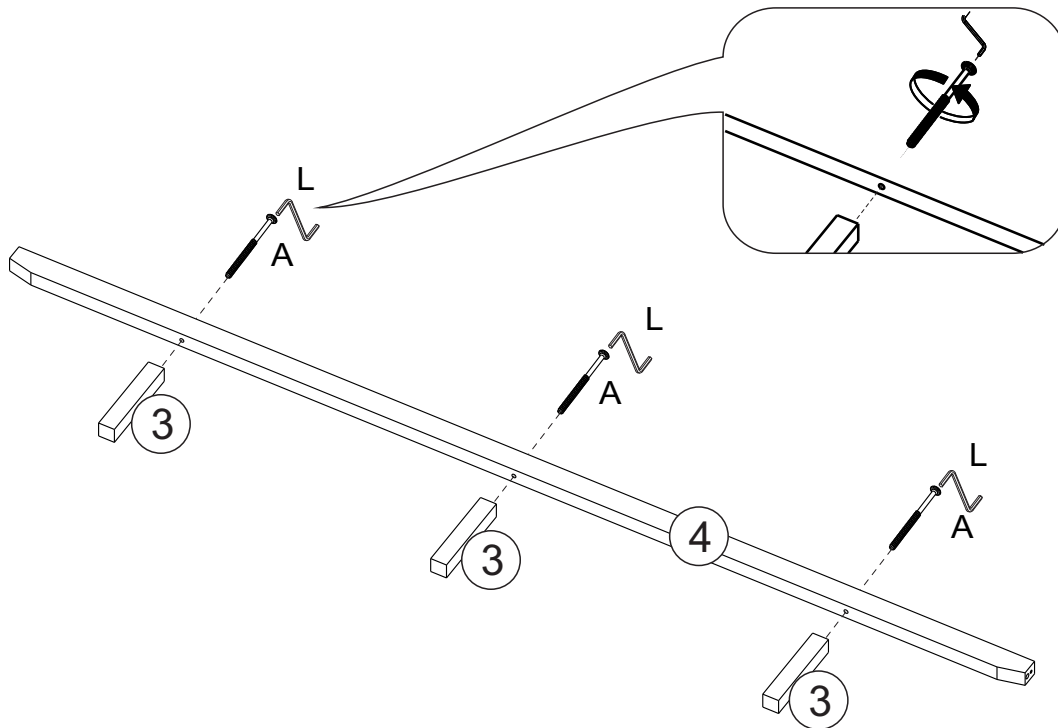
*The hardware quantities listed above are required for proper assembly.
Some extra hardware may also have been included.*

Step 1



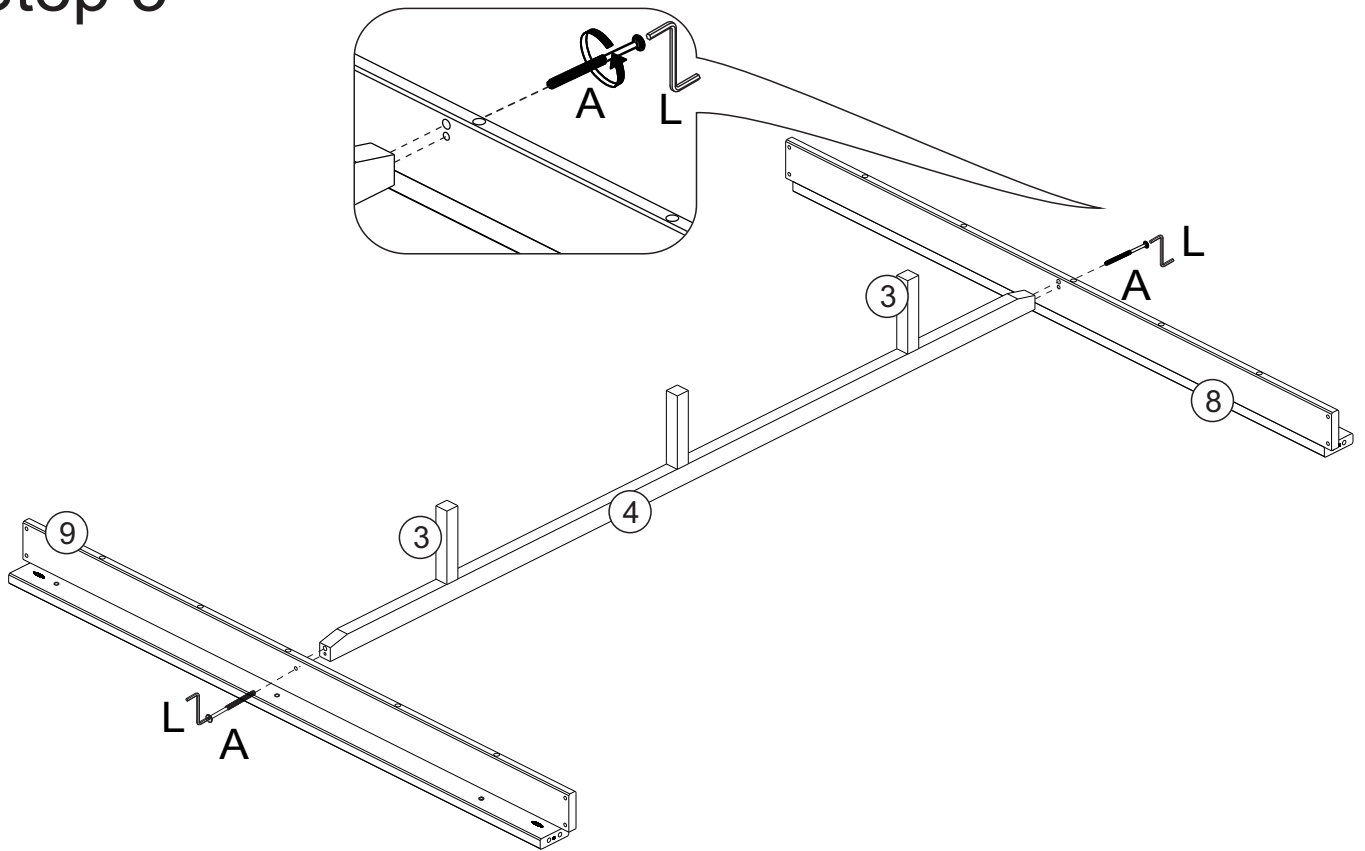
Insert wooden dowels (E) into rails (8,9), dowels (F) into parts (4,5) and dowels (H) into parts (13)

Step 2



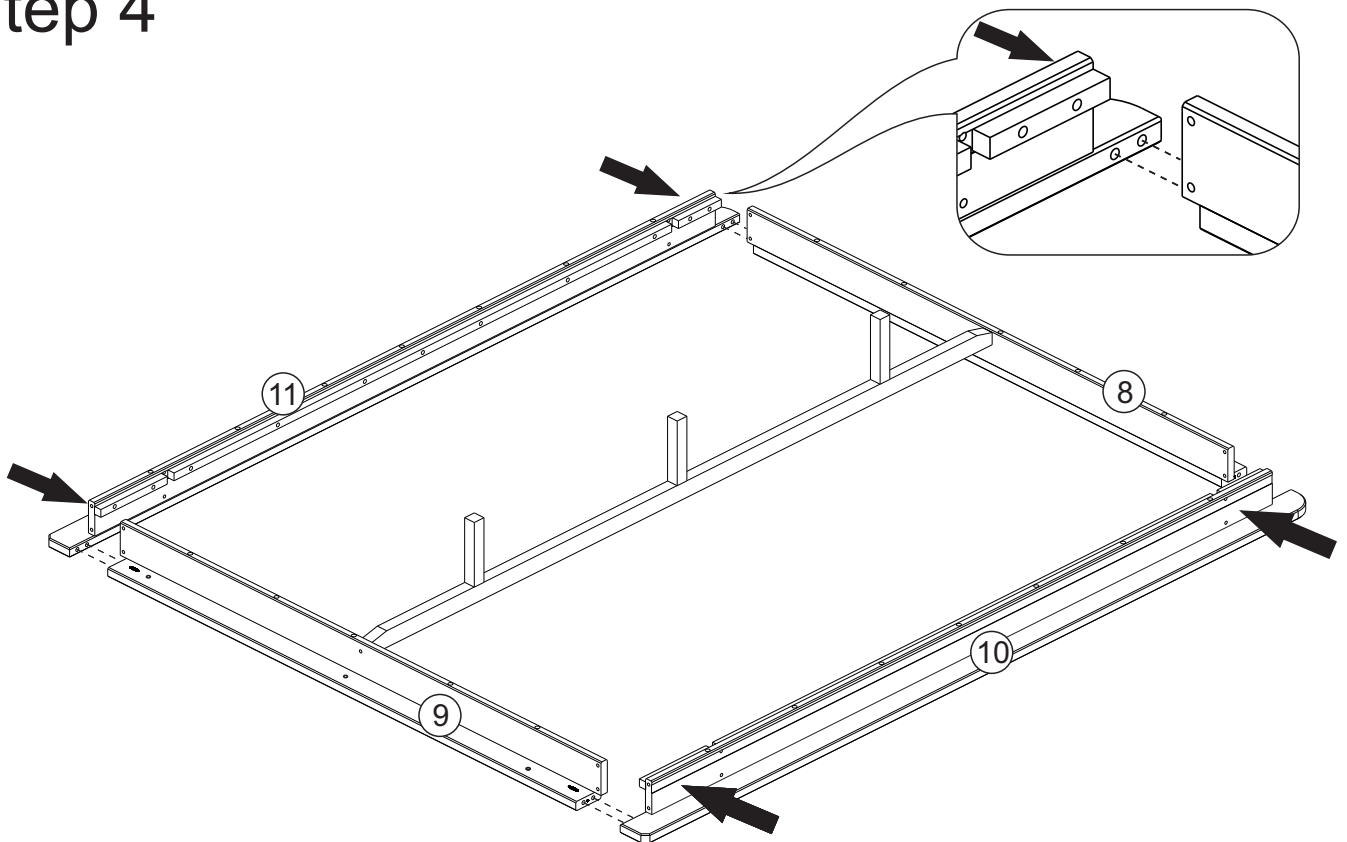
Attach legs (3) to cross bar (4) using bolt (A) and hex key (L)

Step 3



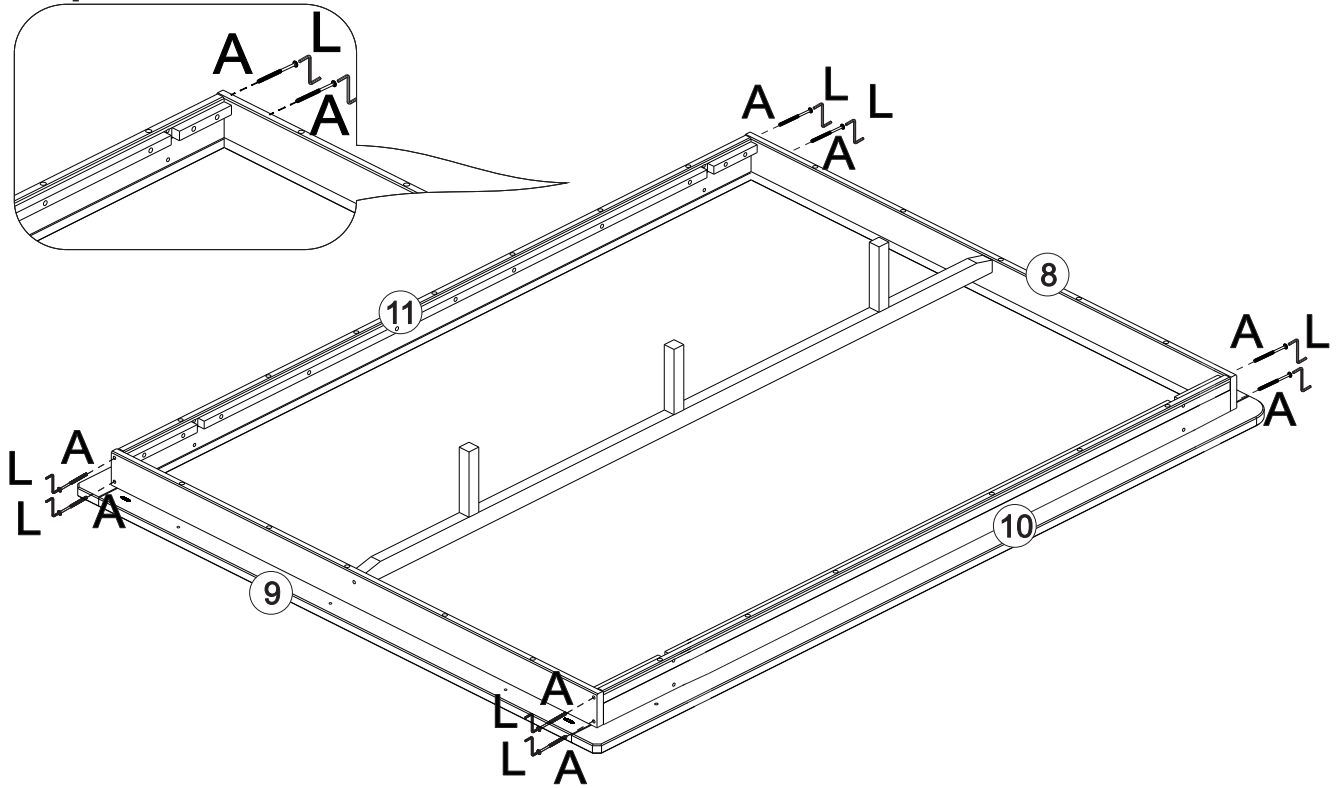
Secure part (4) to part (8,9) using bolt (A) and hex key (L)

Step 4



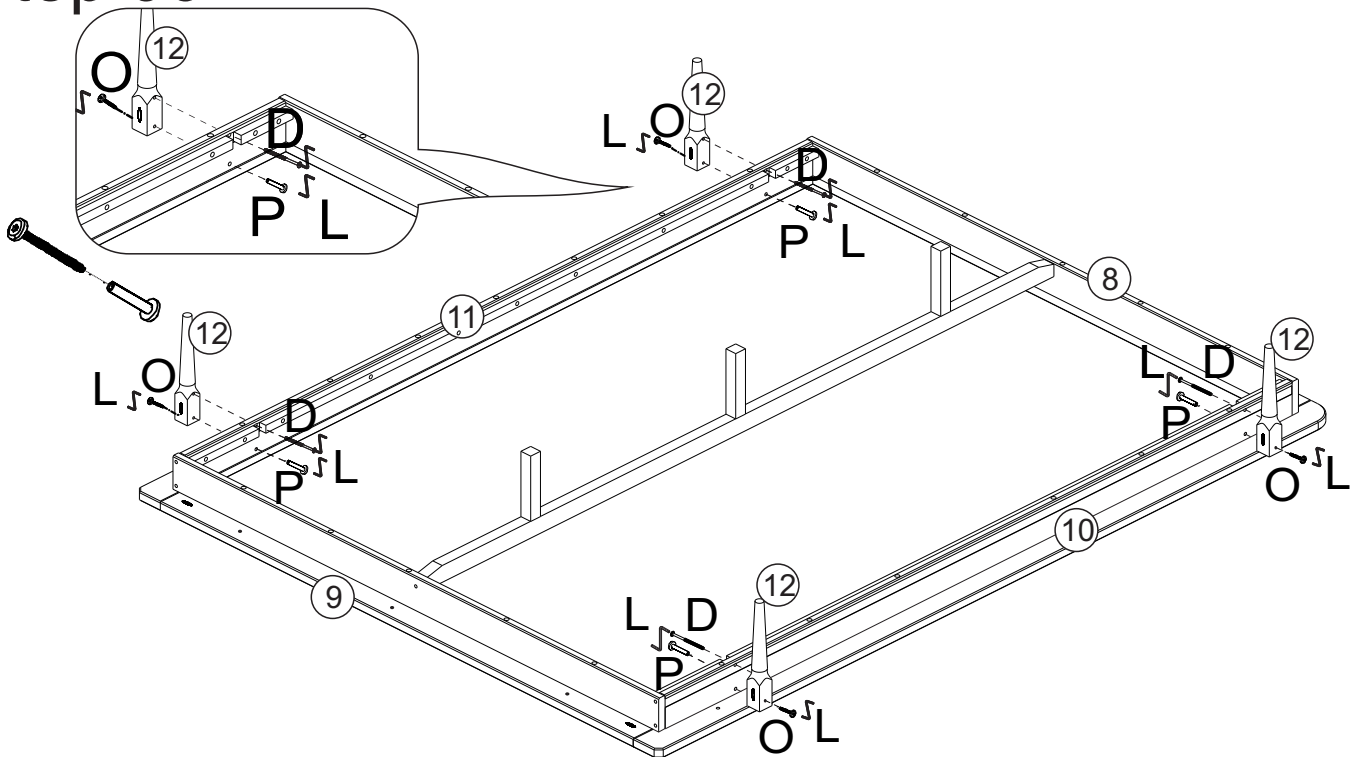
Connect parts (10,11) to parts (8,9)

Step 05



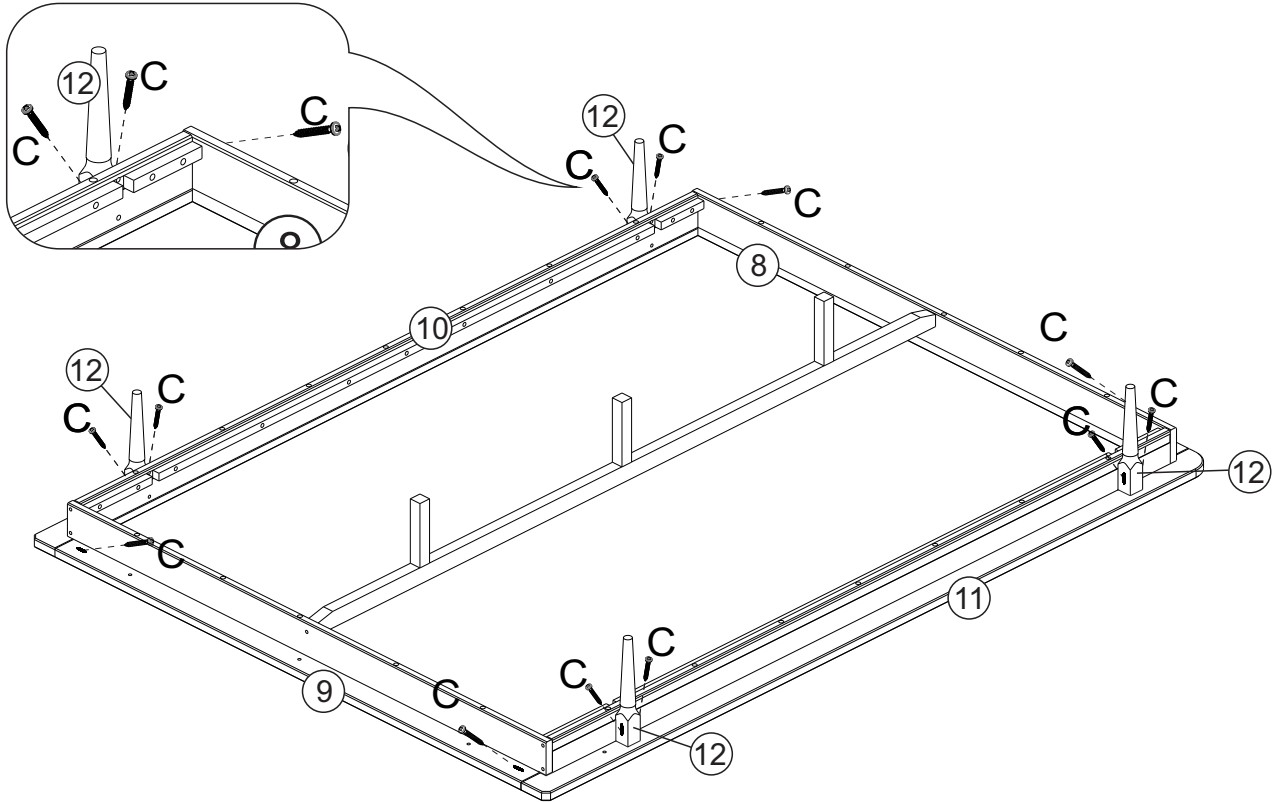
Secure parts (10,11) to parts (8,9) with Screw (A).

Step 06



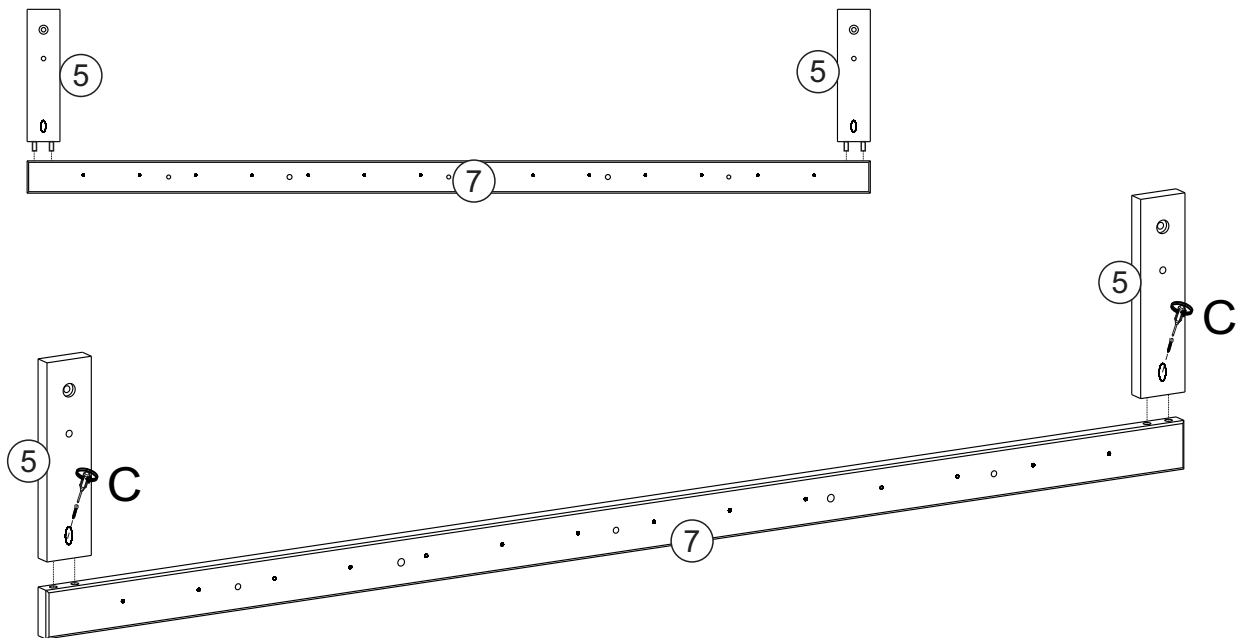
Attach legs (12) to frame parts (10,11) using screw (O) and Union Screw (P). Union Screw (P) should be on the inside of the bed frame, with screw (O) on the outside of the leg. Tighten by using with hex key (L) on both ends of the screw at the same time. Then use screw (D) and hex key (L) to secure legs (12).

Step 07



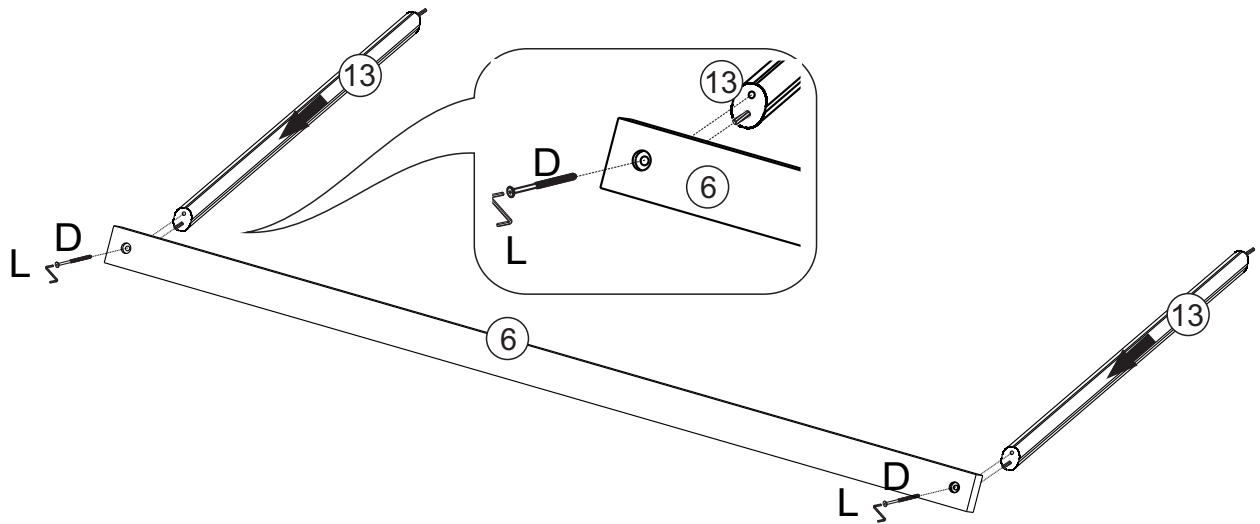
Secure feet to frame using screw (C). Secure parts (10, 11) to parts (9,8) using screw (C)

Step 08



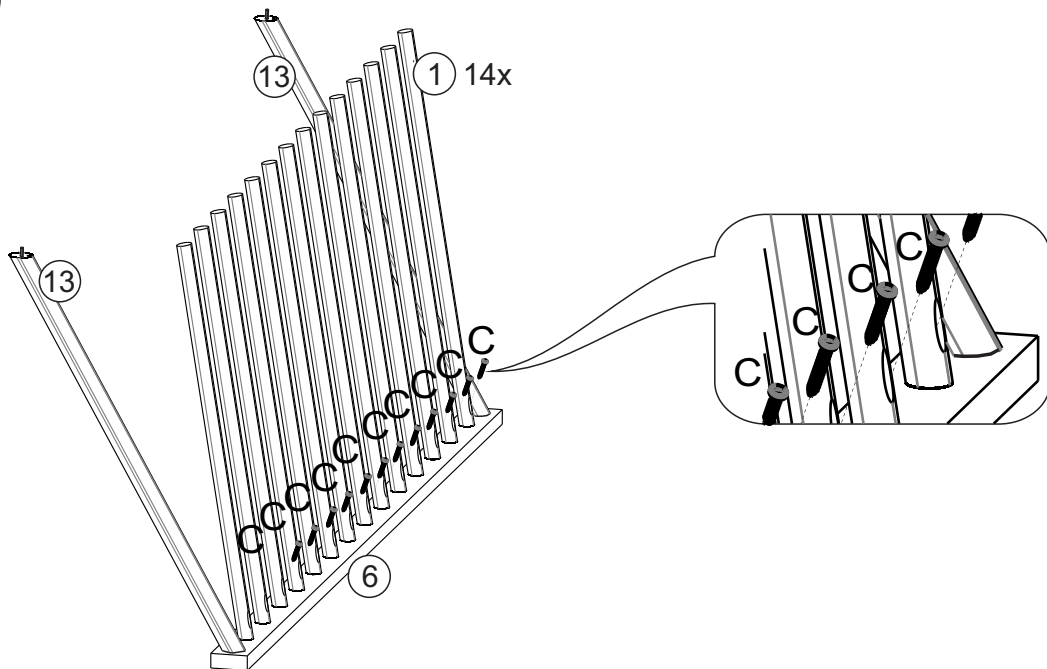
Connect parts 5 to part 7. Note the drawing for location of pocket hole. Secure parts (5) to part (7) using screw (C).

Step 09



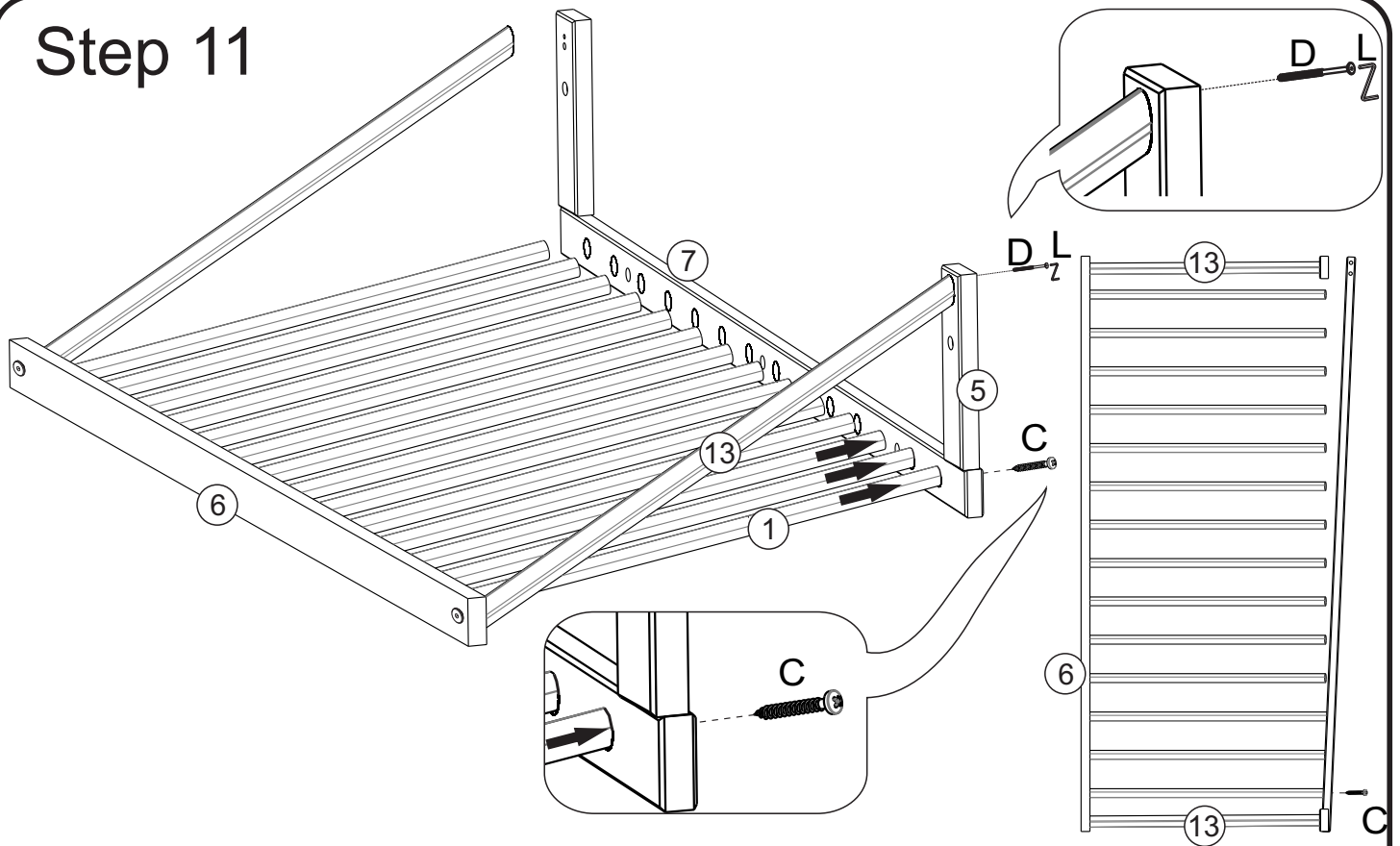
Attach parts (13) to part (6) using bolt (D) and hex key (L)

Step 10



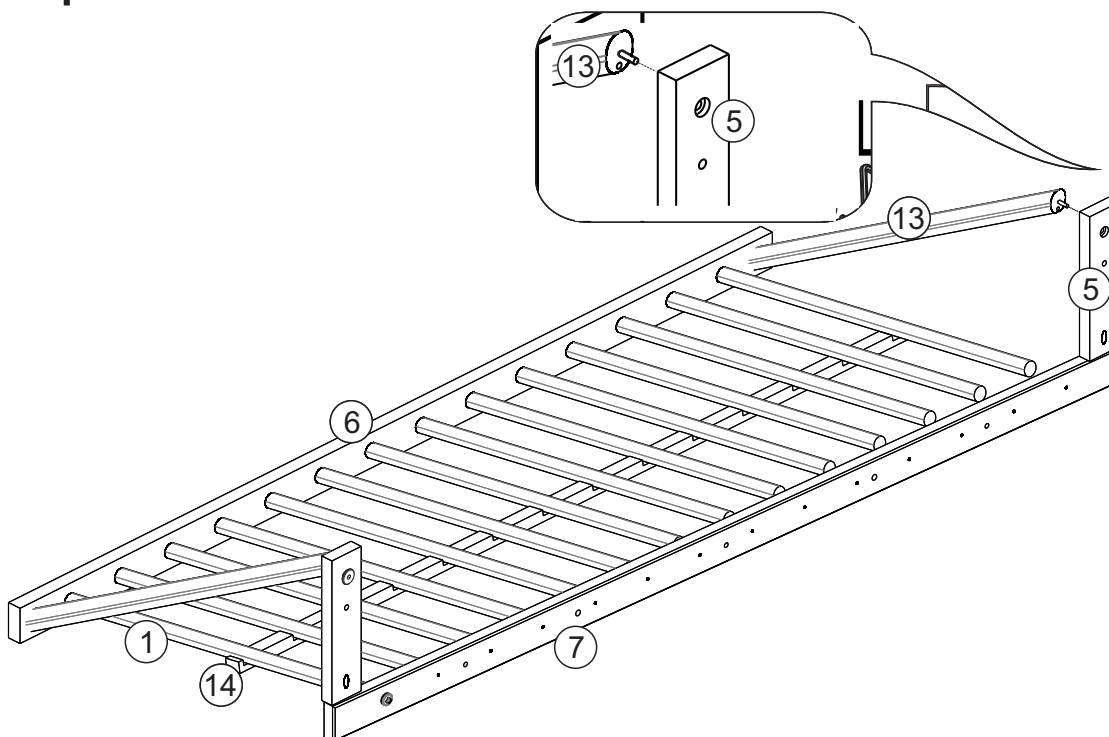
Attach spindles (1) to part (6) using screw (C). Pocket holes and screws (C) should be positioned to face away from part (13). To ensure that screws are on the back of the hardboard when assembly is complete. Note- apply downward pressure to each spindle while attaching to part (6) to ensure an even & secure fit.

Step 11



Start at one end of the headboard. Fit large spindle (13) into part (5) and secure with screw (D) and hex key (L). Attach first spindle (1) to first hole in part (7) with screw (C). NOTE- Be sure to align the first 3 spindles into the correct holes before tightening the first spindle.

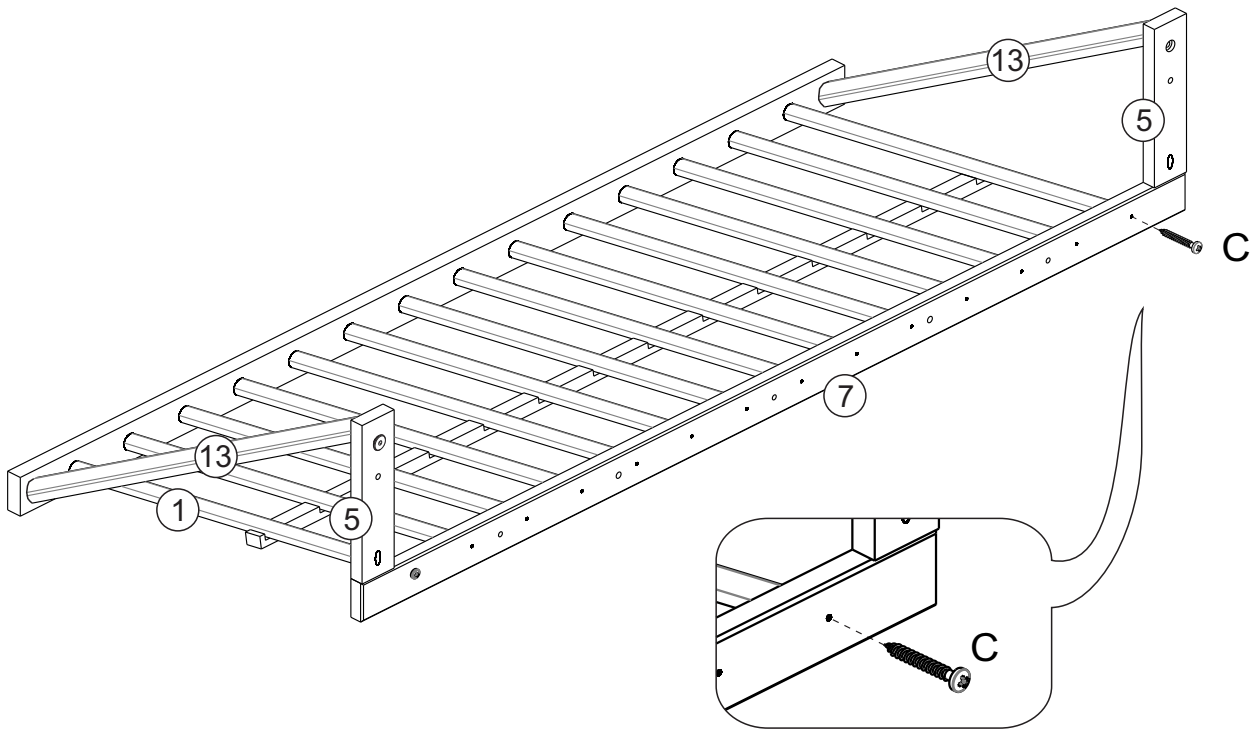
Step 12



Place the spindle support rail (14) under the spindles (1) to help align each spindle into the correct hole in part (7).

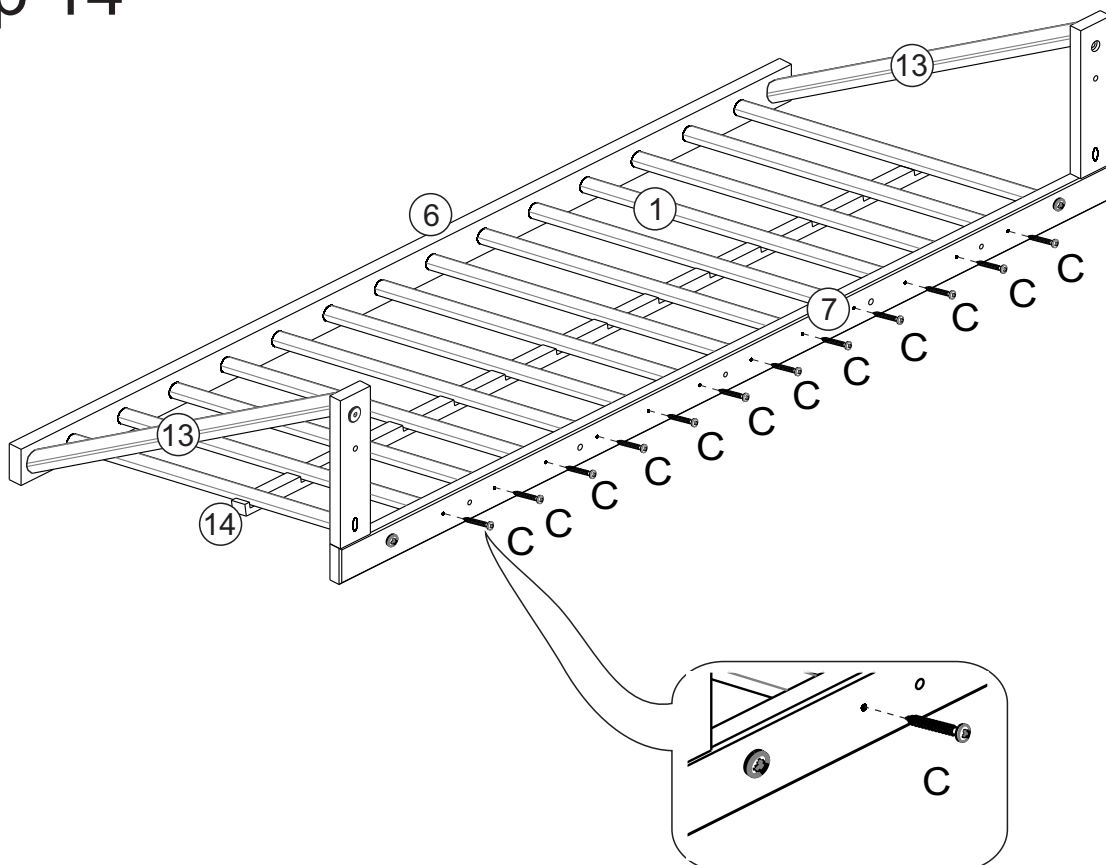
Fit the wood dowel from large spindle (13) into part (5).

Step 13



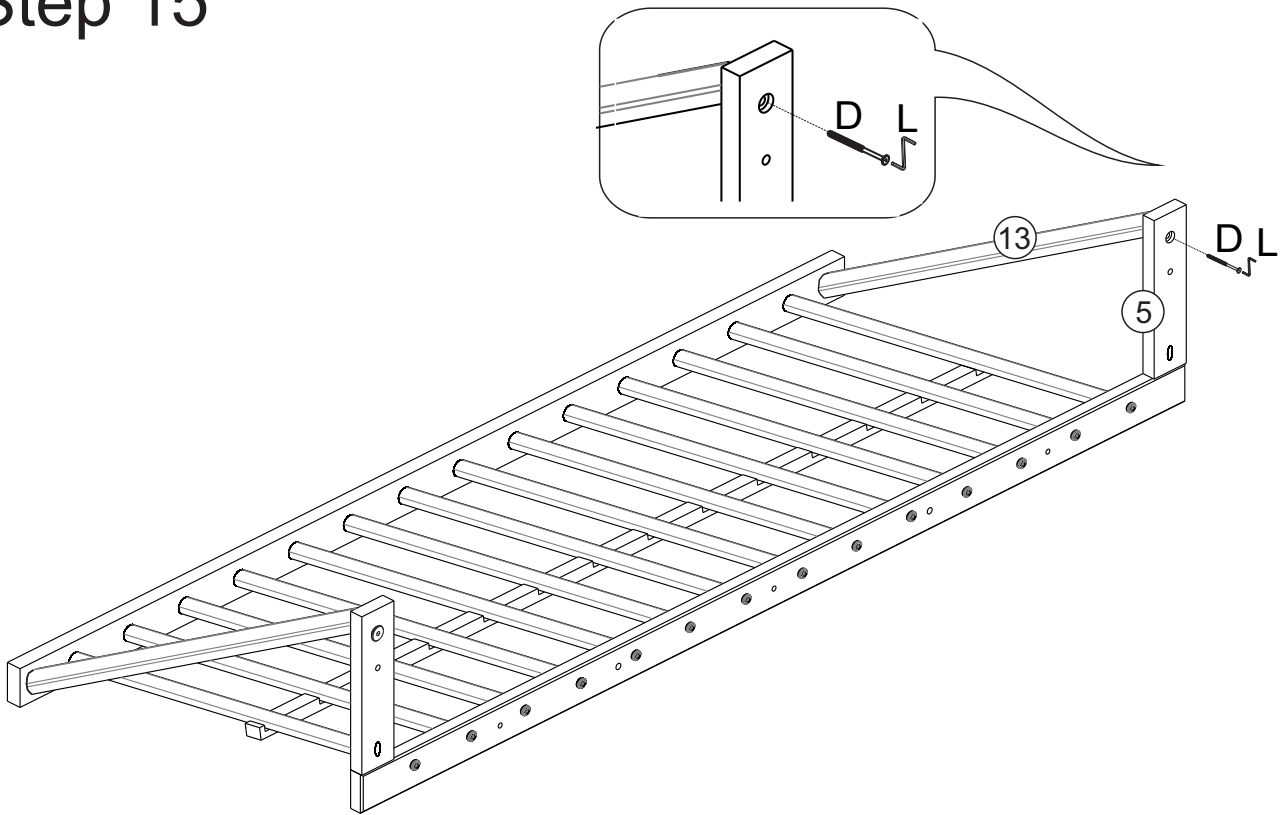
Align each spindle (1) with the correct holes in part (7). Secure the first spindle on the opposite end of the headboard with screw (C).

Step 14



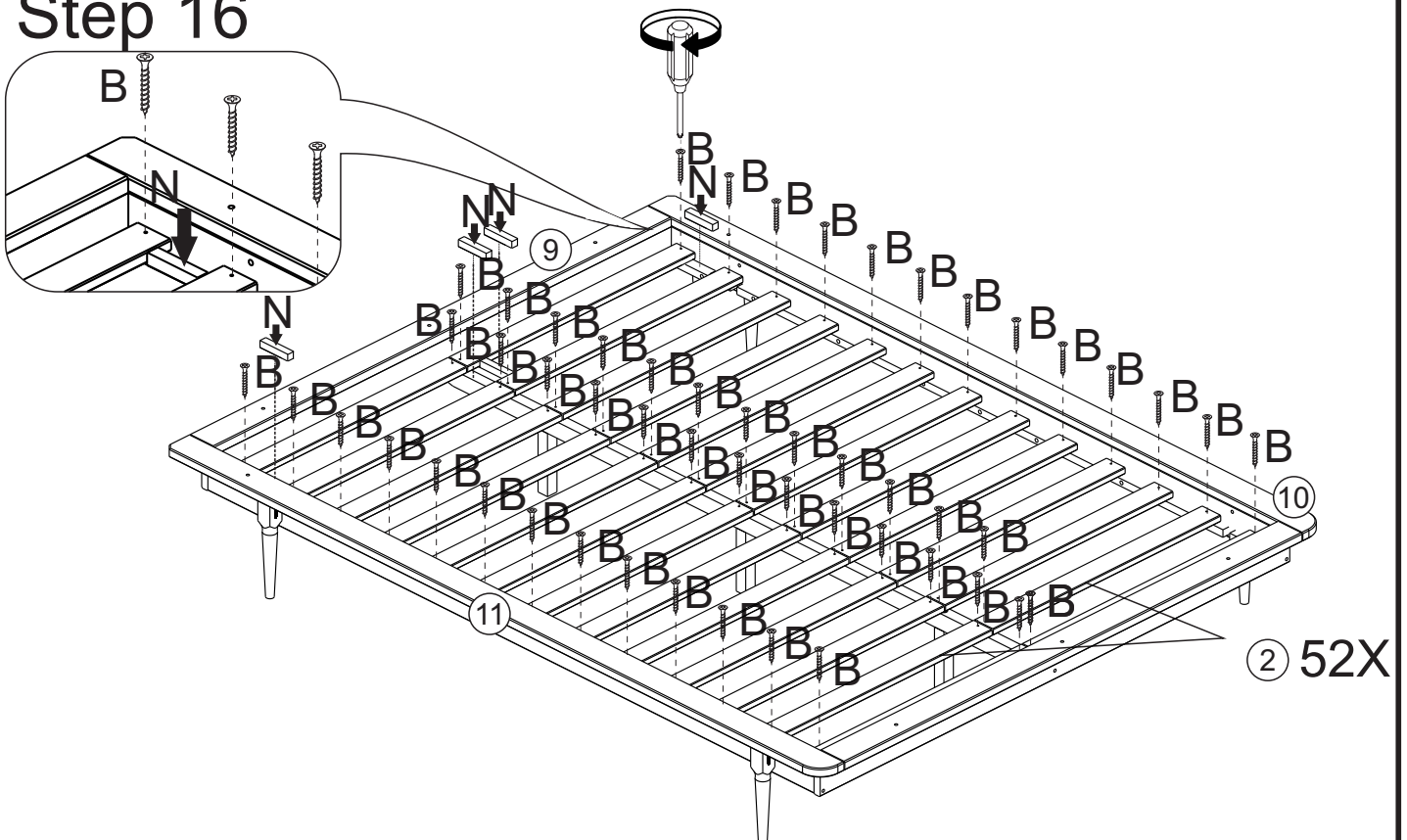
While pushing the part (6) and part (7) together to hold the spindles tightly, secure each spindle (1) to part (7) using screw (C).

Step 15



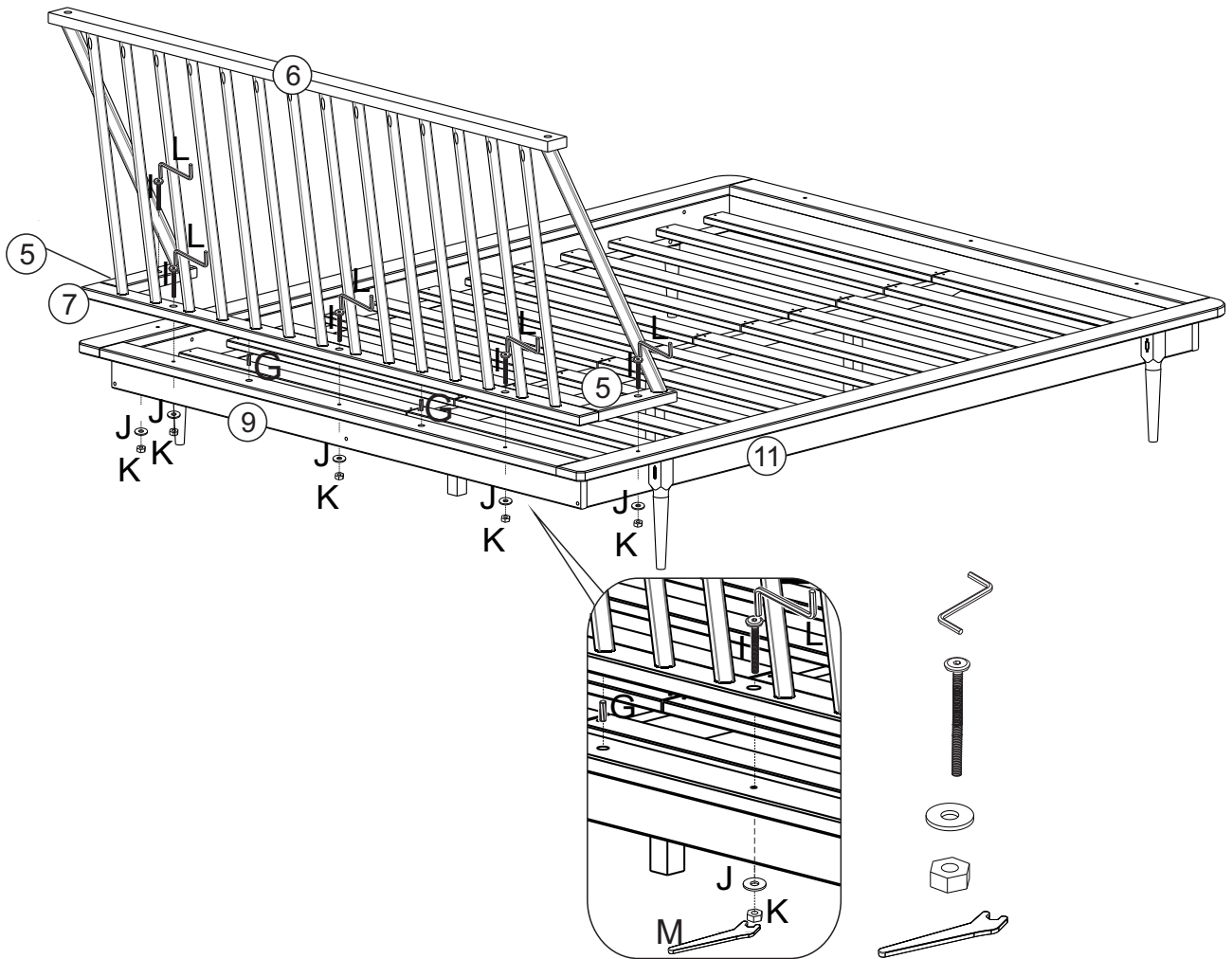
Secure the other large spindle (13) to part (5) with screw (D) and hex key (L).

Step 16



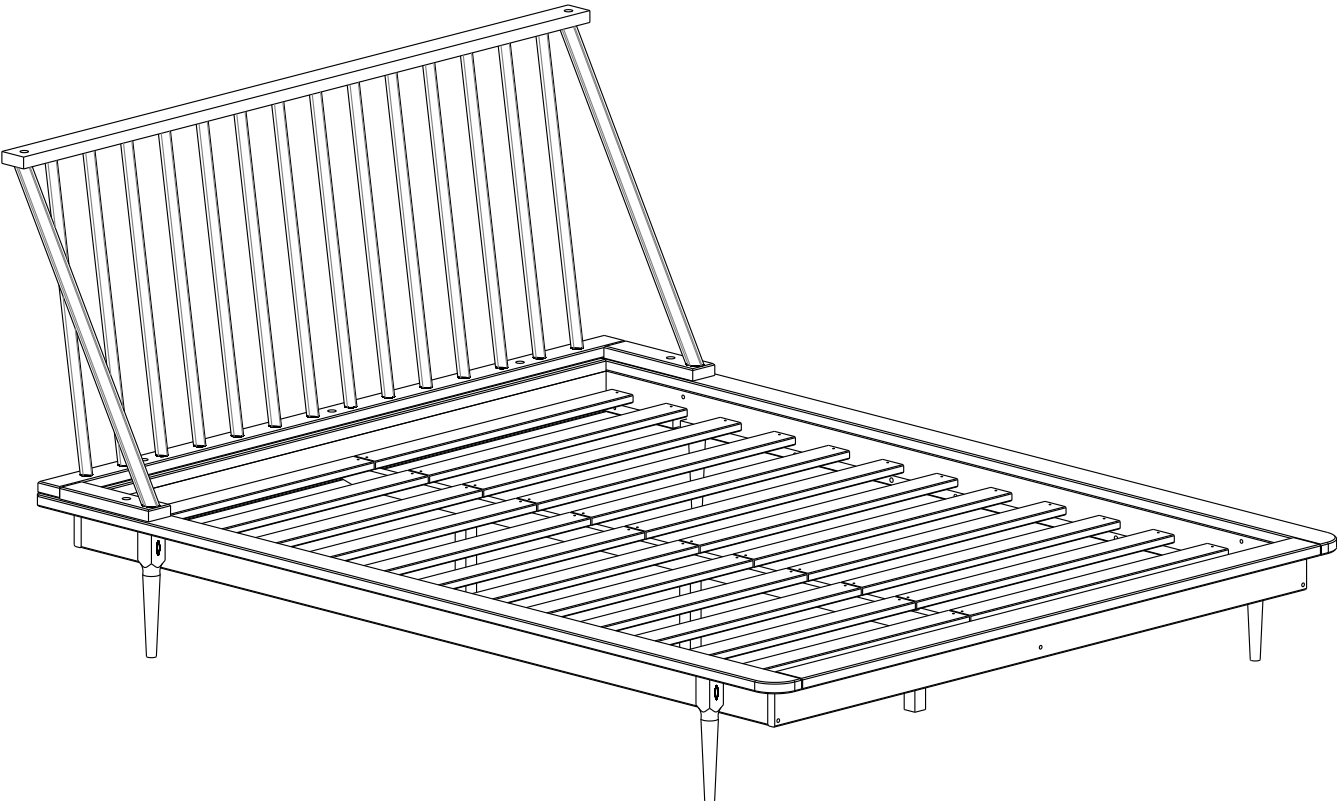
Using the spacer provided (N), place the bed slats (2) evenly along the bed rails (10,11). Attach slats (2) to side rails (10,11) and center rail (9) using screw (B). Note- Avoid gaps between the end of each slat and the side rails by adding pressure to the side rails (10,11) to push them together while securing the slats.

Step 17



Insert wooden dowels (G) into frame (9). Attach the base of the headboard (7,5) to the frame (9) using bolt (I), washer (J), and nut (K). Tighten using both the hex key (L) and wrench (M).

Step 18



Final Assembly.