

## Codes/Standards Applicable:



NSF/ANSI Standard 61 certified by IAPMO  
NSF/ANSI Standard 372 certified by IAPMO



Meets ASME A112.18.1M/A112.18.1  
1.75GPM 6.6L/min maximum

## Care & Maintenance

\*To keep the product clean & shining, follow the steps below:

1. To clean, simply wipe gently with a damp cloth and blot dry with a soft towel.
2. Do not clean with soaps, acid, polish, abrasives, or harsh cleaners
3. Do not use cloth with a coarse surface



\*This installation manual is subject to change without further notice.

## INSTALLATION MANUAL

### Two Handles Bathroom Sink Faucet

BF0001-2
BF0001-3
BF0001-4
BF0001-7
BF0001-8

### Single Handle Bathroom Sink Faucet

BF0002-1	BF0003-1	BF0004-1
BF0002-2	BF0003-2	BF0004-2
BF0002-3	BF0003-3	BF0004-3
BF0002-4	BF0003-4	BF0004-4
BF0002-5	BF0003-5	BF0004-5
BF0002-6	BF0003-6	BF0004-6
BF0002-7	BF0003-7	BF0004-7
BF0002-8	BF0003-8	BF0004-8
BF0002-9	BF0003-9	BF0004-9

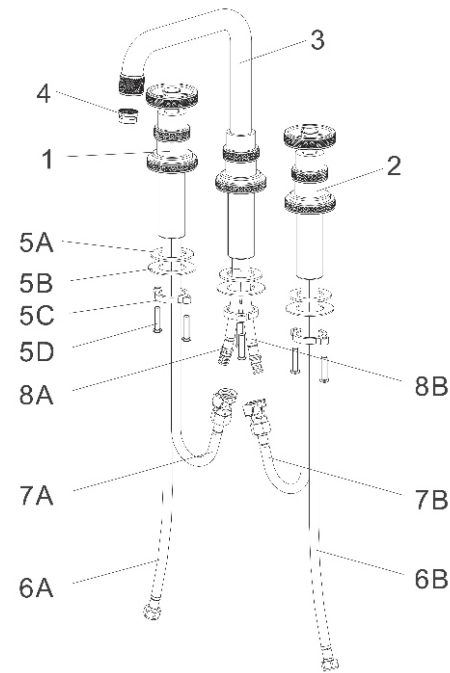
Customer Service Phone: 1.888.808.0450

### Prior to Installation:

- Make sure you have all necessary parts by checking the diagram and parts list. If any part is missing or damaged, please contact Customer Service at (888)808-0450 for a replacement or missing parts
- Turn off the cold and hot water at the angle stops and turn on the old faucet to release any built up pressure
- Flush angle stops to release any debris prior to installation

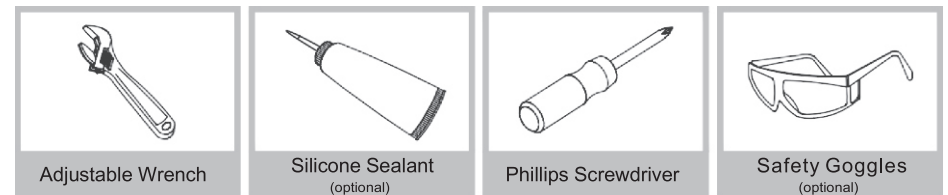
### Diagram and Parts List

BF0001-2 BF0001-3 BF0001-4  
BF0001-7 BF0001-8



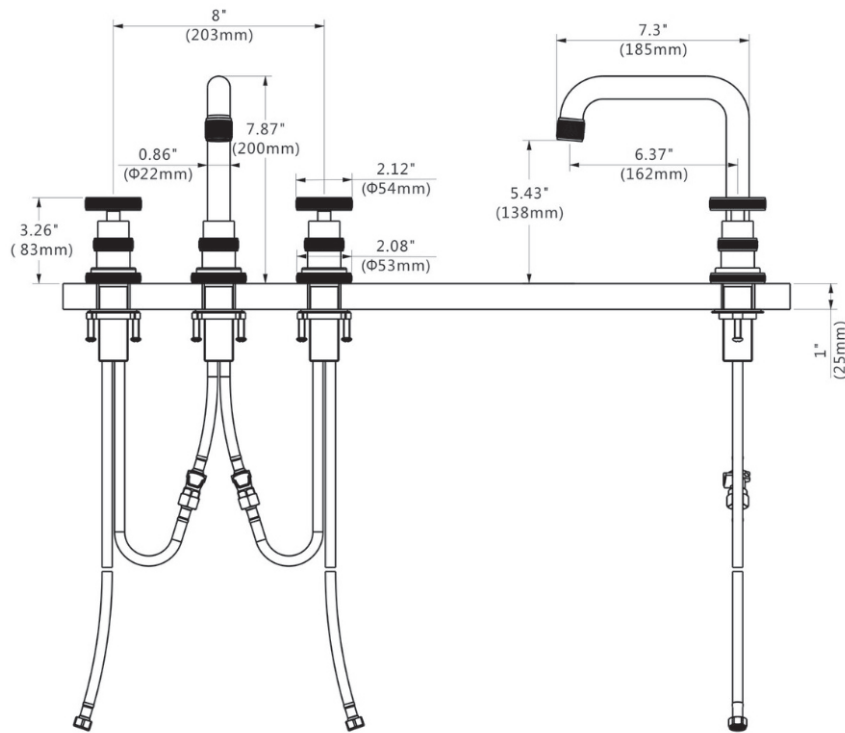
1. Hot Handle Valve
2. Cold handle Valve
3. Spout
4. Aerator
5. Mounting Hardware
  - A. Rubber Washer
  - B. Metal Washer
  - C. Mounting Bracket
  - D. Mounting Screws
6. Hot & Cold Waterlines
  - A. Rubber Washer
  - B. Metal Washer
7. Supply line & Quick Connector
  - A. Rubber Washer
  - B. Metal Washer
8. Spout line
  - A. Rubber Washer
  - B. Metal Washer

### Tools you will need



## Faucet Installation Procedure

BF0001-2 BF0001-3 BF0001-4  
BF0001-7 BF0001-8

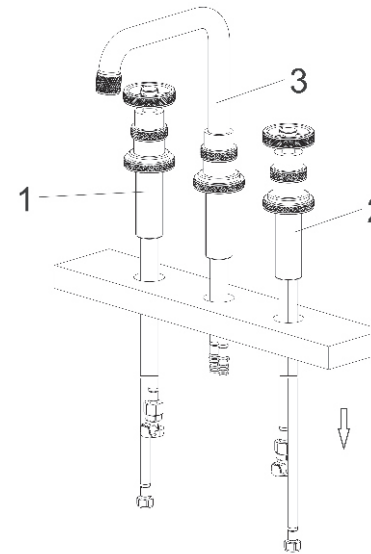


### Installer Tip:

Shut off main water supply before installing new faucet.

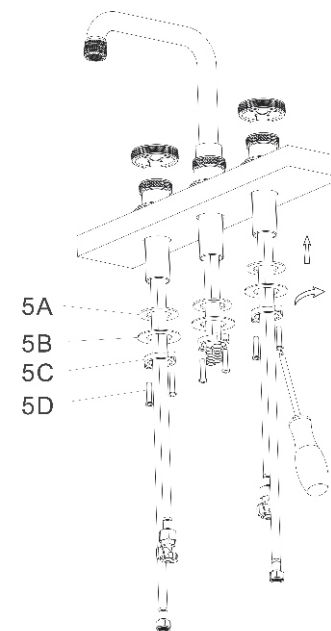
## Step 1: Install faucet and mounting hardware

BF0001-2 BF0001-3 BF0001-4  
BF0001-7 BF0001-8



Insert faucet body (1 & 2) and spout (3) through the sink hole.

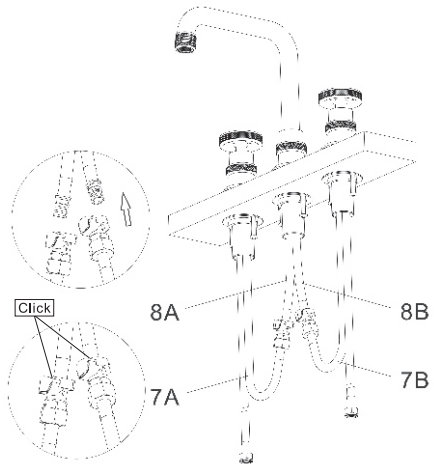
## Step 2: Secure mounting hardware



Install mounting hardware (5A, 5B, 5C & 5D) from underneath the countertop. Adjust direction of faucet body (1 & 2) and spout (3). Hand tighten the mounting brackets (5C). Use a Philip screw driver to lock the brackets in position by tightening screws (5D).

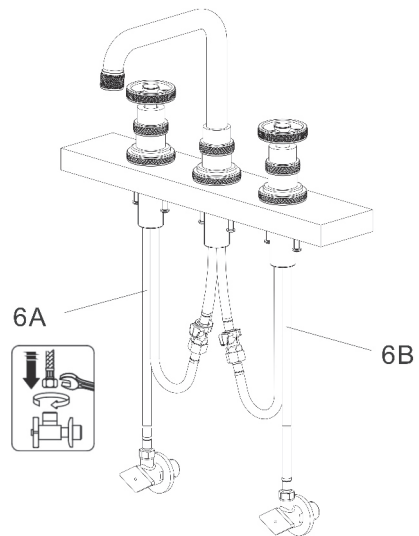
### Step 3: Connect supply lines

BF0001-2 BF0001-3 BF0001-4  
BF0001-7 BF0001-8



Tighten the supply line 7A with 8A, and 7B with 8B. You will know it is secured when you hear a click sound.

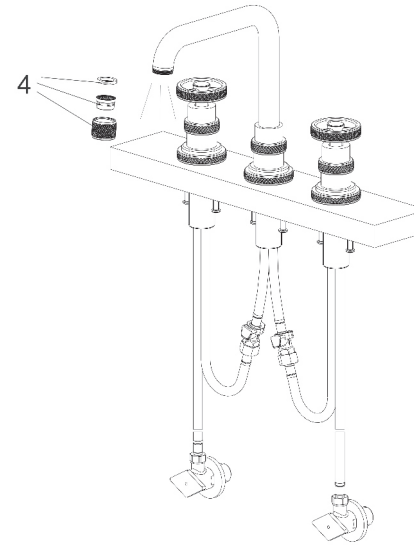
### Step 4: Connect waterlines



Attach waterlines (6A & 6B) to shutoff valves. Tighten with wrench until secure. Turn hot and cold water stop valves to the ON position. Check for leaks.

### Step 5: Flush aerator

BF0001-2 BF0001-3 BF0001-4  
BF0001-7 BF0001-8

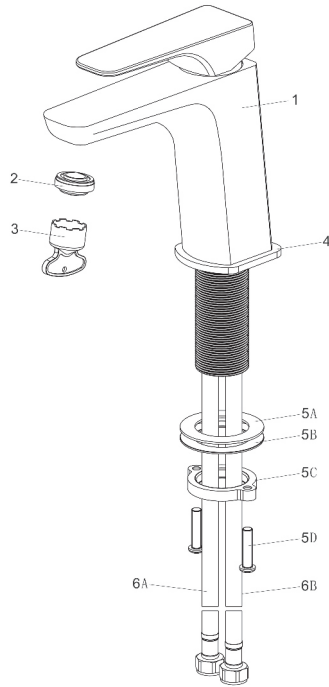


Remove aerator (4) and turn faucet handles to ON position and flush for 60 seconds. Reinstall the aerator.

Important: This flushes away any debris that could cause damage to internal parts.

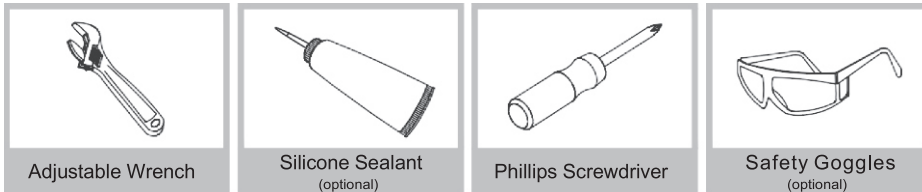
## Diagram and Parts List

BF0002-1 BF0002-2 BF0002-3 BF0002-4 BF0002-5  
BF0002-6 BF0002-7 BF0002-8 BF0002-9



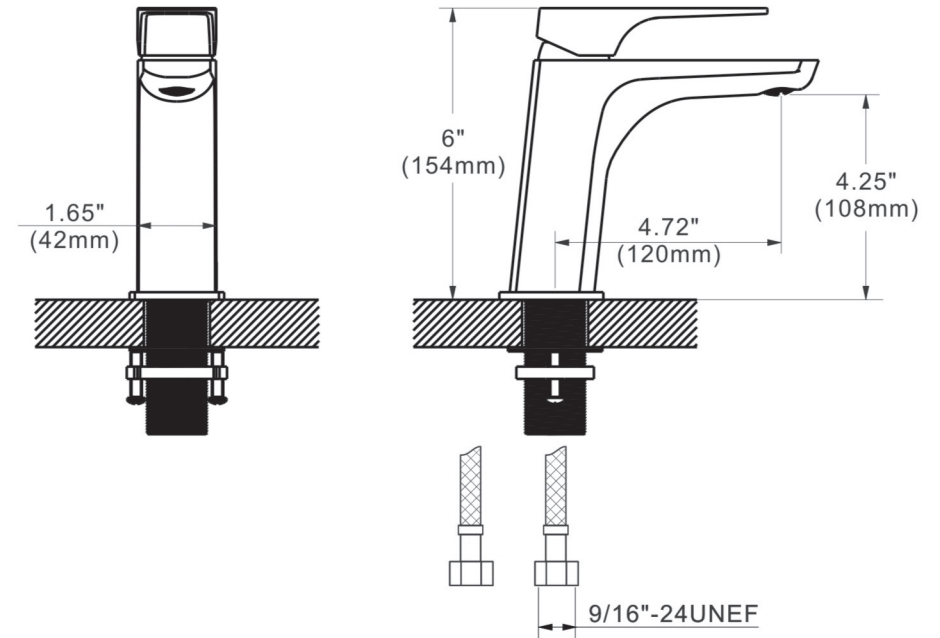
1. Faucet Body
2. Aerator
3. Aerator Key
4. Base O-Ring
5. Mounting Hardware
  - A. Rubber Washer
  - B. Metal Washer
  - C. Mounting Bracket
  - D. Mounting Screws
6. Hot & Cold Waterlines
  - A. Hot
  - B. Cold

## Tools you will need



## Faucet Installation Procedure

BF0002-1 BF0002-2 BF0002-3 BF0002-4 BF0002-5  
BF0002-6 BF0002-7 BF0002-8 BF0002-9

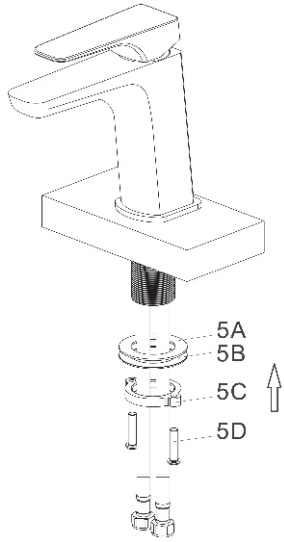


## Installer Tip:

Shut off main water supply before installing new faucet.

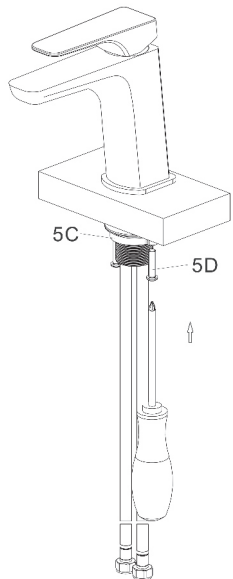
### Step 1: Install faucet and mounting hardware

BF0002-1 BF0002-2 BF0002-3  
BF0002-4 BF0002-5 BF0002-6  
BF0002-7 BF0002-8 BF0002-9



Insert faucet body (1) through the sink hole.  
Install mounting hardware (5A, 5B, 5C & 5D) from underneath of the countertop.

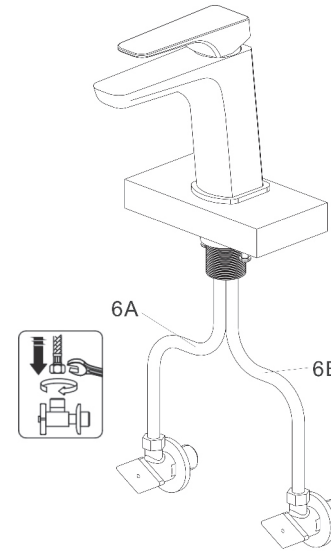
### Step 2: Secure mounting hardware



Adjust direction of the faucet body (1).  
Hand tighten mounting brackets (5C). Use a Philips screwdriver to lock the brackets in position by tightening screws (5D).

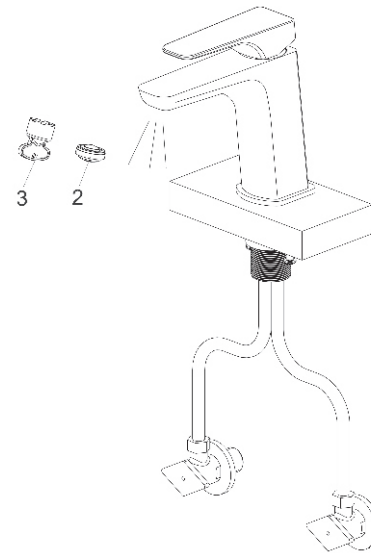
### Step 3: Connect waterlines

BF0002-1 BF0002-2 BF0002-3  
BF0002-4 BF0002-5 BF0002-6  
BF0002-7 BF0002-8 BF0002-9



Attach waterlines (6A & 6B) to shutoff valves. Tighten with wrench until secure. Turn hot and cold water stop valves to the ON position.  
Check for leaks.

### Step 4: Flush aerator

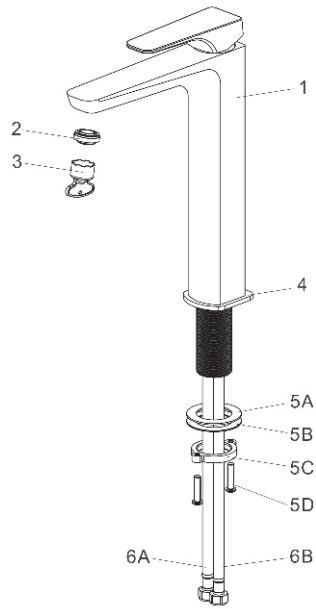


Remove aerator (4) and turn faucet handles to ON position and flush for 60 seconds.  
Reinstall the aerator.

Important: This flushes away any debris that could cause damage to internal parts.

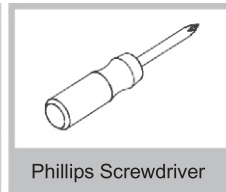
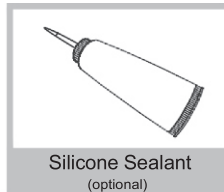
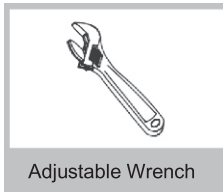
## Diagram and Parts List

BF0003-1 BF0003-2 BF0003-3 BF0003-4 BF0003-5  
BF0003-6 BF0003-7 BF0003-8 BF0003-9



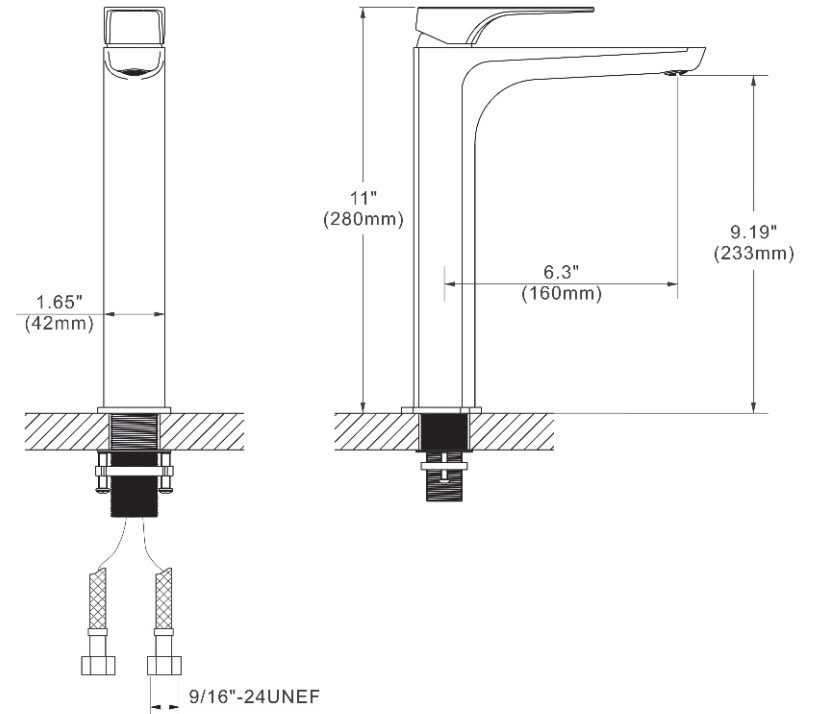
1. Faucet Body
2. Aerator
3. Aerator Key
4. Base O-Ring
5. Mounting Hardware
  - A. Rubber Washer
  - B. Metal Washer
  - C. Mounting Bracket
  - D. Mounting Screws
6. Hot & Cold Waterlines
  - A. Hot
  - B. Cold

## Tools you will need



## Faucet Installation Procedure

BF0003-1 BF0003-2 BF0003-3 BF0003-4 BF0003-5  
BF0003-6 BF0003-7 BF0003-8 BF0003-9

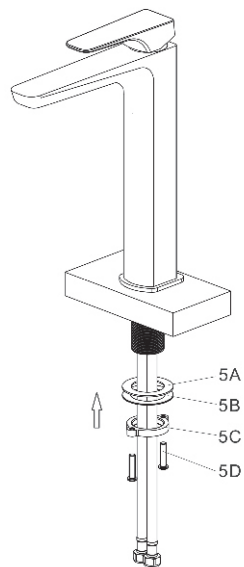


## Installer Tip:

Shut off main water supply before installing new faucet.

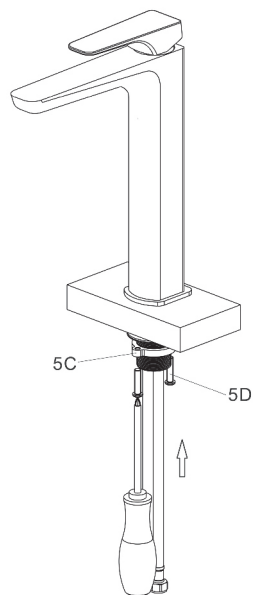
### Step 1: Install faucet and mounting hardware

BF0003-1 BF0003-2 BF0003-3  
BF0003-4 BF0003-5 BF0003-6  
BF0003-7 BF0003-8 BF0003-9



Insert faucet body (1) through the sink hole.  
Install mounting hardware (5A, 5B, 5C & 5D) from underneath of the countertop.

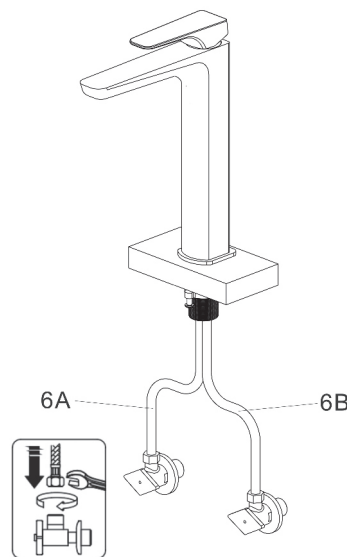
### Step 2: Secure mounting hardware



Adjust direction of the faucet body (1). Hand tighten the mounting brackets (5C). Use a Philip screw driver to lock the brackets in position by tightening screws (5D).

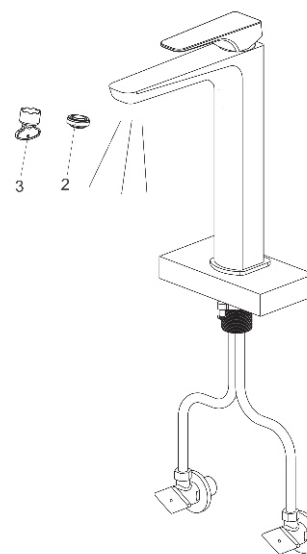
### Step 3: Connect waterlines

BF0003-1 BF0003-2 BF0003-3  
BF0003-4 BF0003-5 BF0003-6  
BF0003-7 BF0003-8 BF0003-9



Attach waterlines (6A & 6B) to shutoff valves. Tighten with wrench until secure. Turn hot and cold water stop valves to the ON position. Check for leaks.

### Step 4: Flush aerator



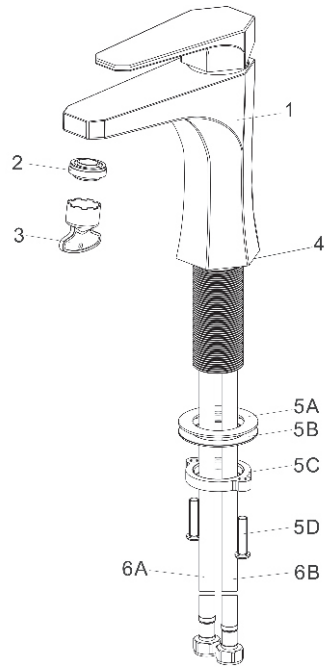
Remove aerator (4) and turn faucet handles to ON position and flush for 60 seconds. Reinstall the aerator.

Important: This flushes away any debris that could cause damage to internal parts.



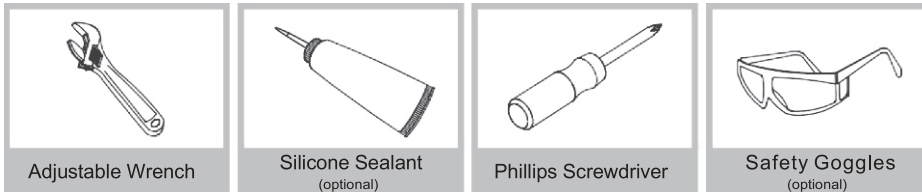
## Diagram and Parts List

BF0004-1 BF0004-2 BF0004-3 BF0004-4 BF0004-5  
BF0004-6 BF0004-7 BF0004-8 BF0004-9



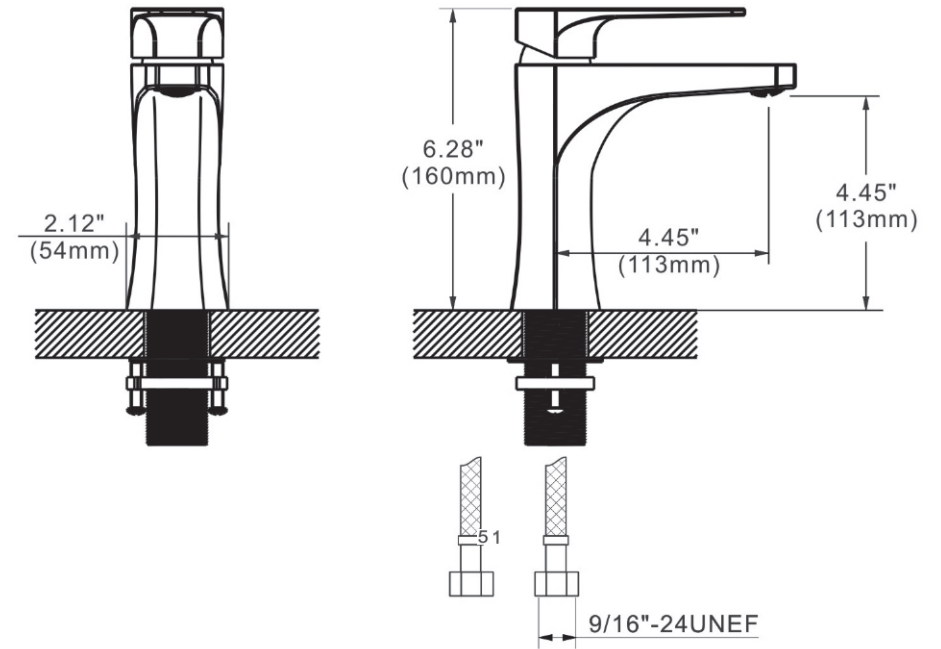
1. Faucet Body
2. Aerator
3. Aerator Key
4. Base O-Ring
5. Mounting Hardware
  - A. Rubber Washer
  - B. Metal Washer
  - C. Mounting Bracket
  - D. Mounting Screws
6. Hot & Cold Waterlines
  - A. Hot
  - B. Cold

## Tools you will need



## Faucet Installation Procedure

BF0004-1 BF0004-2 BF0004-3 BF0004-4 BF0004-5  
BF0004-6 BF0004-7 BF0004-8 BF0004-9

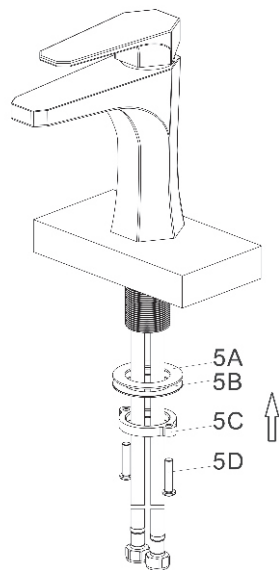


## Installer Tip:

Shut off main water supply before installing new faucet.

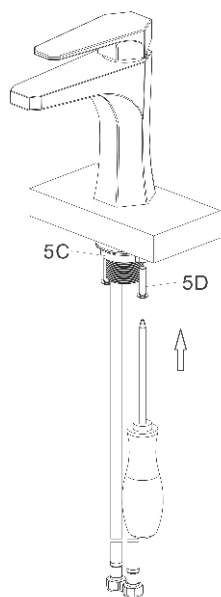
### Step 1: Install faucet and mounting hardware

BF0004-1 BF0004-2 BF0004-3  
BF0004-4 BF0004-5 BF0004-6  
BF0004-7 BF0004-8 BF0004-9



Insert faucet body (1) through the sink hole.  
Install mounting hardware (5A, 5B, 5C & 5D) from underneath of the countertop.

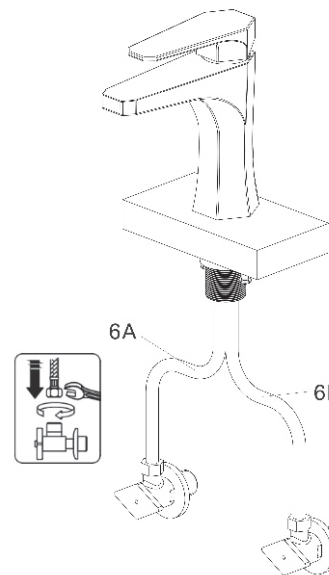
### Step 2: Secure mounting hardware



Adjust direction of the faucet body (1). Hand tighten the mounting brackets (5C). Use a Philip screw driver to lock the brackets in position by tightening screws (5D).

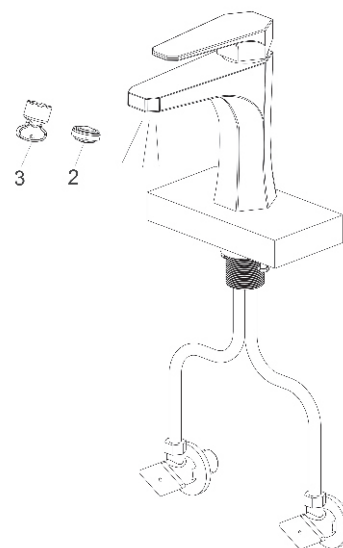
### Step 3: Connect waterlines

BF0004-1 BF0004-2 BF0004-3  
BF0004-4 BF0004-5 BF0004-6  
BF0004-7 BF0004-8 BF0004-9



Attach waterlines (6A & 6B) to shutoff valves. Tighten with wrench until secure. Turn hot and cold water stop valves to the ON position. Check for leaks.

### Step 4: Flush aerator



Remove aerator (4) and turn faucet handles to ON position and flush for 60 seconds. Reinstall the aerator.

Important: This flushes away any debris that could cause damage to internal parts.