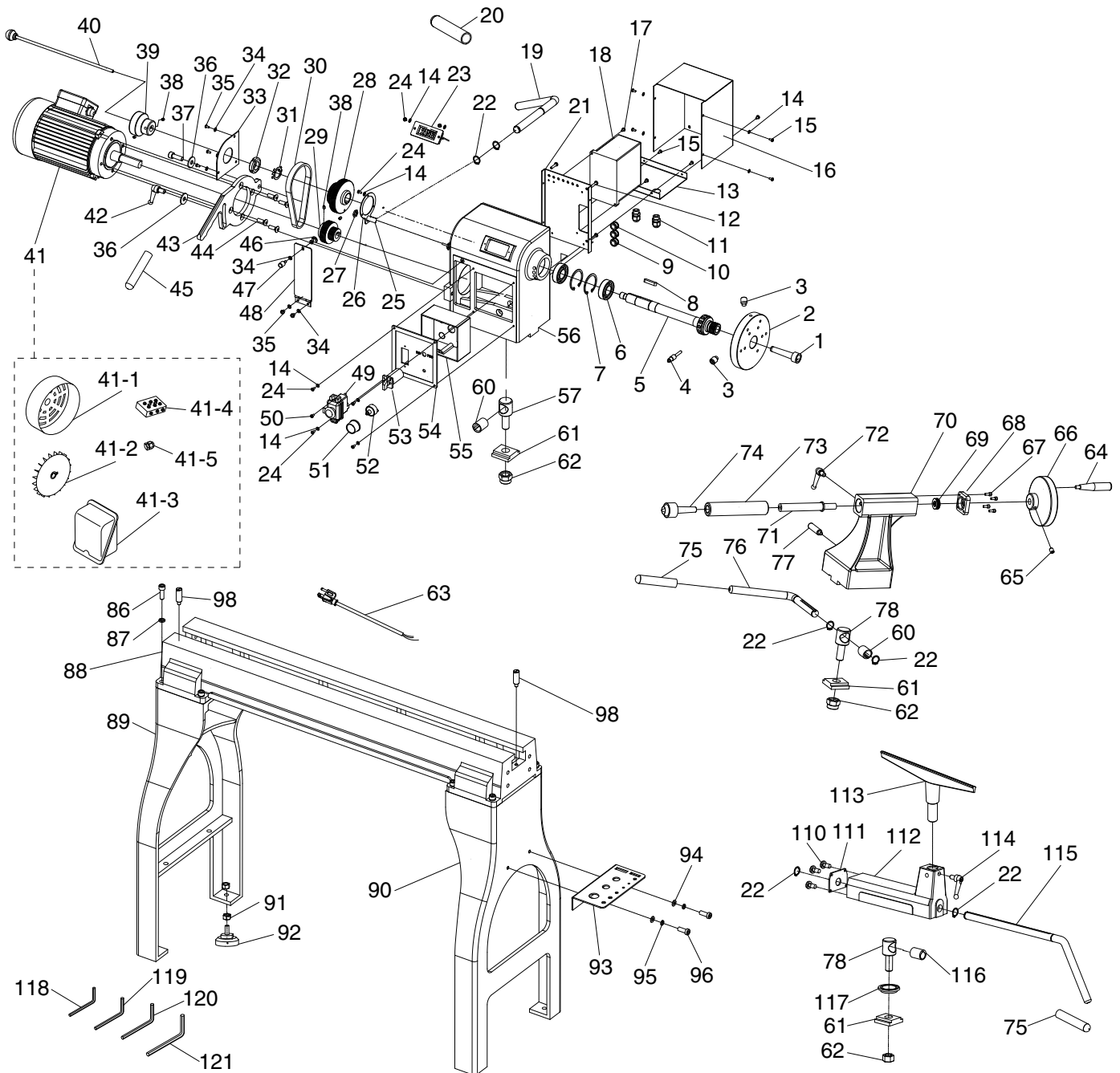


SECTION 9: PARTS

We do our best to stock replacement parts when possible, but we cannot guarantee that all parts shown are available for purchase. Call (800) 523-4777 or visit www.grizzly.com/parts to check for availability.

G0838 Main Breakdown

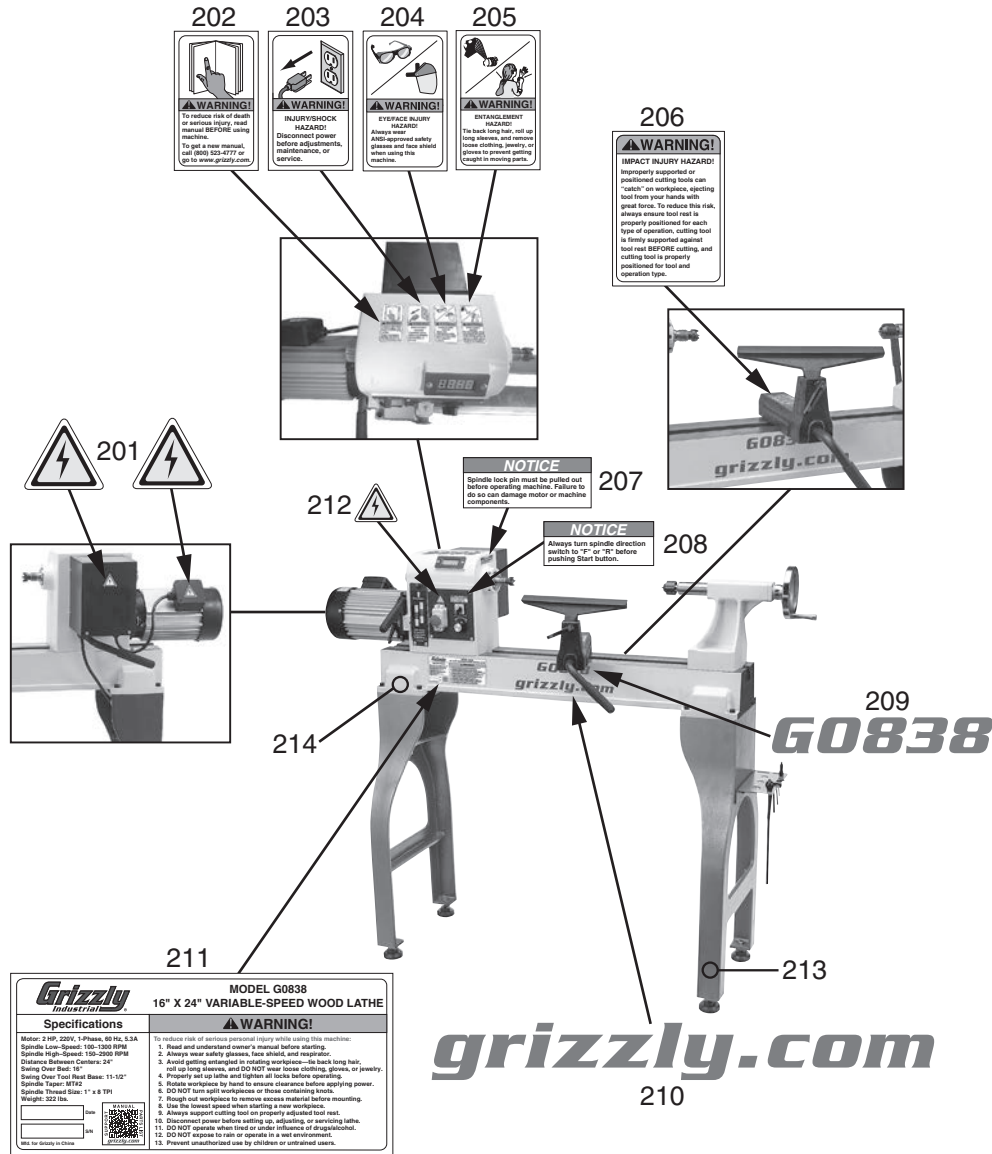


G0838 Main Breakdown Parts List

REF	PART #	DESCRIPTION	REF	PART #	DESCRIPTION
1	P0838001	SPUR CENTER MT 2	49	P0838049	ON/OFF SWITCH KEDU KJD17B
2	P0838002	FACE PLATE 6"	50	P0838050	TAP SCREW M4 X 12
3	P0838003	SET SCREW M6-1 X 12	51	P0838051	VARIABLE SPEED DIAL
4	P0838004	INDEXING PIN	52	P0838052	POTENTIOMETER 1605 WX110010 10K
5	P0838005	SPINDLE	53	P0838053	ROTARY SWITCH KEDU ZH-A
6	P0838006	BALL BEARING 6205-2RS	54	P0838054	PANEL COVER
7	P0838007	INT RETAINING RING 52MM	55	P0838055	SWITCH BOX
8	P0838008	KEY 8 X 8 X 40	56	P0838056	HEADSTOCK CASTING
9	P0838009	RUBBER GROMMET	57	P0838057	HEADSTOCK CLAMP BOLT
10	P0838010	RUBBER GROMMET	60	P0838060	BUSHING
11	P0838011	RUBBER GROMMET	61	P0838061	HEADSTOCK CLAMP
12	P0838012	PHLP HD SCR M5-.8 X 25	62	P0838062	HEX NUT M18-2.5
13	P0838013	WIRE PLATE	63	P0838063	POWER CORD 14G 3W 72" 6-15P
14	P0838014	FLAT WASHER 4MM	64	P0838064	REV HANDWHEEL HANDLE M8-1.25 X 12
15	P0838015	PHLP HD SCR M4-.7 X 6	65	P0838065	SET SCREW M8-1.25 X 12
16	P0838016	POWER INVERTER COVER	66	P0838066	HANDWHEEL TYPE-10 140D X 14B-S X M8-1.25
17	P0838017	PHLP HD SCR M4-.7 X 10	67	P0838067	PHLP HD SCR M5-.8 X 14
18	P0838018	POWER INVERTER DELTA VFD-M VFD015M21A	68	P0838068	TAILSTOCK BASE PLATE
19	P0838019	HEADSTOCK LOCK LEVER	69	P0838069	THRUST BEARING 51102
20	P0838020	RUBBER HANDLE TUBE	70	P0838070	TAILSTOCK
21	P0838021	INVERTER MOUNTING BRACKET	71	P0838071	LEADSCREW
22	P0838022	INT RETAINING RING 19MM	72	P0838072	QUILL LOCK LEVER
23	P0838023	RPM DIGITAL READOUT	73	P0838073	QUILL
24	P0838024	PHLP HD SCR M4-.7 X 10	74	P0838074	LIVE CENTER MT2
25	P0838025	RPM SENSOR	75	P0838075	RUBBER HANDLE TUBE
26	P0838026	RPM SENSOR BRACKET	76	P0838076	TAILSTOCK LOCK LEVER
27	P0838027	HEX NUT M12-1.75	77	P0838077	THREADED STUD M8-1.25 X 64
28	P0838028	SPINDLE PULLEY	78	P0838078	TAILSTOCK CLAMP BOLT
29	P0838029	MOTOR PULLEY	86	P0838086	CAP SCREW M10-1.5 X 35
30	P0838030	V-BELT 450J6	87	P0838087	LOCK WASHER 10MM
31	P0838031	SPANNER NUT WASHER 24MM	88	P0838088	BED
32	P0838032	SPANNER NUT M24-2.5 X 1.5	89	P0838089	LEFT STAND LEG
33	P0838033	SPINDLE PULLEY COVER	90	P0838090	RIGHT STAND LEG
34	P0838034	FLAT WASHER 5MM	91	P0838091	HEX NUT M10-1.5
35	P0838035	PHLP HD SCR M5-.8 X 8	92	P0838092	RUBBER FOOT M10-1.5 X 22
36	P0838036	FENDER WASHER 10MM	93	P0838093	TOOL HOLDER
37	P0838037	CAP SCREW M10-1.5 X 30	94	P0838094	FLAT WASHER 8MM
38	P0838038	SET SCREW M6-1 X 10	95	P0838095	LOCK WASHER 8MM
39	P0838039	SPINDLE HUB	96	P0838096	PHLP HD SCR M8-1.25 X 16
40	P0838040	KNOCKOUT ROD	98	P0838098	BED STOP
41	P0838041	MOTOR 2HP 220V 3-PH	110	P0838110	PHLP HD SCR M5-.8 X 8
41-1	P0838041-1	MOTOR FAN COVER	111	P0838111	SUPPORT PLATE
41-2	P0838041-2	MOTOR FAN	112	P0838112	TOOL REST BASE
41-3	P0838041-3	MOTOR JUNCTION BOX	113	P0838113	TOOL REST
41-4	P0838041-4	MOTOR TERMINAL	114	P0838114	LOCKING HANDLE M10-1.5 X 18
41-5	P0838041-5	STRAIN RELIEF PG13.5 TYPE-3	115	P0838115	TOOL REST LOCKING BAR
42	P0838042	BELT TENSION LOCK LEVER M10-1.5 X 26	116	P0838116	TOOL REST ECCENTRIC BUSHING
43	P0838043	BELT TENSION LEVER	117	P0838117	RETAINING PLATE
44	P0838044	FLAT HD CAP SCR M8-1.25 X 20	118	P0838118	HEX WRENCH 3MM
45	P0838045	RUBBER HANDLE TUBE	119	P0838119	HEX WRENCH 4MM
46	P0838046	E-CLIP 4MM	120	P0838120	HEX WRENCH 6MM
47	P0838047	KNURLED THUMB SCREW M5-.8 X 12, 27L	121	P0838121	HEX WRENCH 8MM
48	P0838048	BELT DOOR			



G0838 Labels & Cosmetics



REF	PART #	DESCRIPTION
201	P0838201	ELECTRICAL LABEL
202	P0838202	READ MANUAL WARNING
203	P0838203	INJURY/SHOCK HAZARD
204	P0838204	EYE/FACE INJURY HAZARD
205	P0838205	ENTANGLEMENT HAZARD
206	P0838206	IMPACT INJURY HAZARD
207	P0838207	NOTICE LABEL

REF	PART #	DESCRIPTION
208	P0838208	NOTICE LABEL
209	P0838209	MODEL NUMBER LABEL
210	P0838210	GRIZZLY.COM LABEL
211	P0838211	MACHINE ID LABEL
212	P0838212	ELECTRICAL LABEL
213	P0838213	TOUCH-UP PAINT, GRIZZLY GREEN
214	P0838214	TOUCH-UP PAINT, GRIZZLY PUTTY

⚠ WARNING

Safety labels help reduce the risk of serious injury caused by machine hazards. If any label comes off or becomes unreadable, the owner of this machine **MUST** replace it in the original location before resuming operations. For replacements, contact (800) 523-4777 or www.grizzly.com.

BUY PARTS ONLINE AT GRIZZLY.COM!
Scan QR code to visit our Parts Store.