



# Model: Z5571

1.1 gpf Pressure Assist, Elongated,  
Two-Piece Toilet

TAG \_\_\_\_\_

## Architectural/Engineering Specification:

Zurn Z5571 Vitreous China floor mounted, Two Piece toilet, High Efficiency 1.1 gpf / 4.2 Lpf, Pressure Assisted tank, Elongated rim and 12" Rough-in.

Zurn Z5571 utilizes EcoFlush™ technology maximize water savings and provide an ultra-quiet flush in demanding, high-traffic commercial areas that require a high performance toilet system.

## Product Features:

- 1.1 gpf (gallons per flush)
- High Efficiency Toilet (HET) reduces potable water usage over 30%
- Vitreous china
- Pressure assisted tank
- High performance EcoFlush™ technology
- Easy touch handle actuation
- Ultra quiet flush
- Siphon jet flush action
- 2-1/8" fully glazed trapway
- Operating pressure range 20-80 psi
- Elongated front rim
- Chrome plated handle
- Large water surface area
- Includes bolt caps
- Shipping weight: 95 lbs

Note: HET dual Flush 1.6/1.1 gpf pressure assist tank also available. See models Z5572.

## Compliance and Certification:

- ADA Compliant
- ANSI A117.1
- ASME A112.19.2 / CSA B45.1

The Z5561-TNK-PA is WaterSense listed when paired with a Z5570-BWL.



## Suffix Option:

- RH Vitreous China right-hand lever tank
- VL Vitreous China lid with vandal-proof lock down.

## Recommended Trim:

### -Z5972-COMB

Closet bolt & wax ring kit.

### -Z5958SS-EL

Elongated, white, closed front toilet seat with cover & stainless steel check hinge.

### -Z8800-CR

Standard stop with flexible closet riser.

## Optional Trim

### -Z5975-FLO-JR

PVC Flo-Bowl Jr. closet flange kit

See Zurn One Systems for suggested packages.

## Architectural/Engineering Approval

Meets the American Disabilities Guidelines and ANSI A117.1 requirements when installed according to these requirements.

Fixture dimensions meet ASME A112.19.2 / CSA B45.1 requirements.

In Canada - Consult local codes and standards.

The information contained in this document is subject to change without notice. Please contact Zurn for most up to date information.



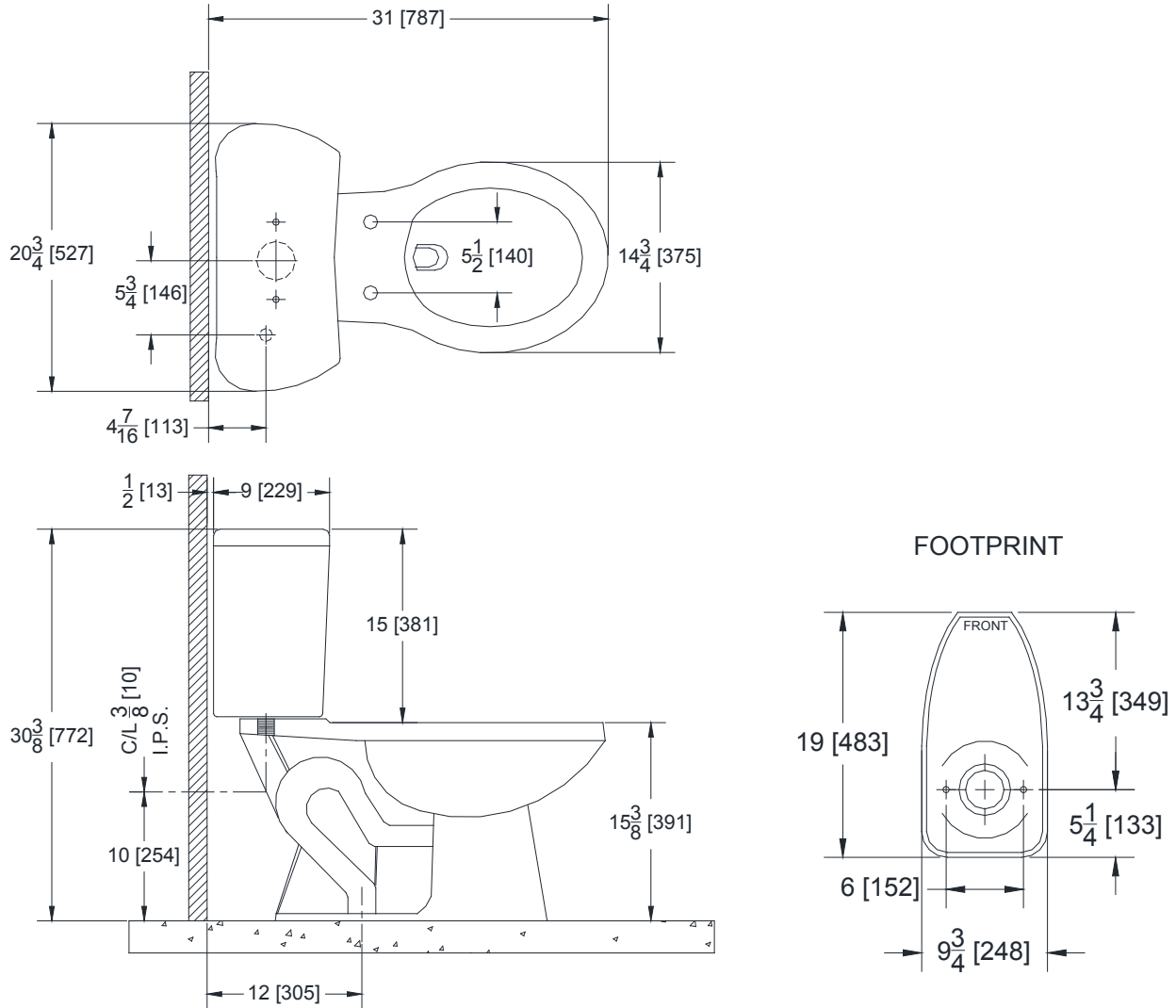


# Model: Z5571

1.1 gpf Pressure Assist, Elongated,  
Two-Piece Toilet

TAG \_\_\_\_\_

## Rough-in dimensions for Z5571



Meets the American Disabilities Guidelines and ANSI A117.1 requirements when installed according to these requirements.

Fixture dimensions meet ASME A112.19.2 / CSA B45.1 requirements.

In Canada - Consult local codes and standards.