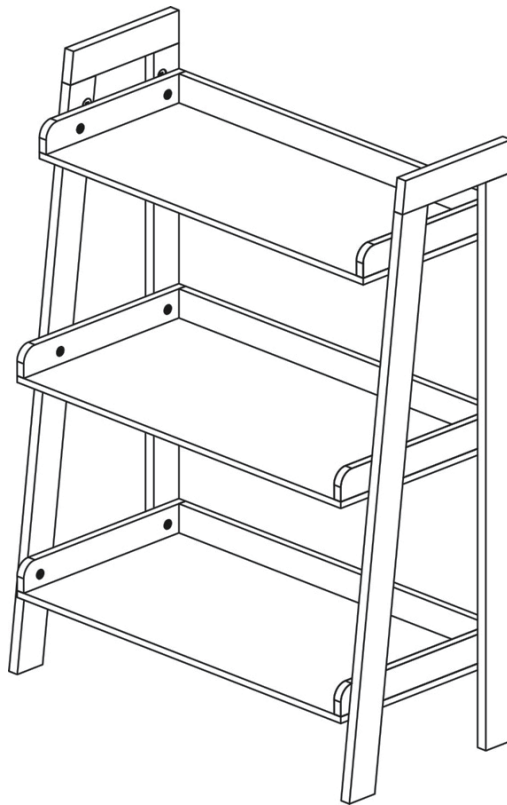




ASSEMBLY INSTRUCTIONS



RiverRidge® 3-Tier Ladder Shelf

ITEM#: 02-068/06-092 White

ITEM#: 02-069/06-093 Gray

ADULT ASSEMBLY REQUIRED

This product requires assembly by an adult because of small parts. Care should be taken in unpacking and assembling this item to keep small parts away from children. During assembly children should be kept away from the product due to possible risk of injury.

WARNING SEE FULL WARNING ON PAGE 2

Young children can be seriously injured or killed if furniture tips over.
Don't use this item for a TV stand or place heavy objects on top of item.
Always use angle-braces or anchors to secure furniture to the wall.

This product is suitable for children 3 years and older.

THIS SHELF UNIT WILL HOLD UP TO 20 POUNDS PER SHELF OR A TOTAL OF 60 POUNDS. DO NOT LOAD EACH SHELF WITH MORE THAN 20 POUNDS OR 60 POUNDS TOTAL WEIGHT. IF OVERLOADED WITH MORE THAN 20 POUNDS PER SHELF OR 60 POUNDS TOTAL WEIGHT, SHELF MAY TIP FROM WALL AND CAUSE SERIOUS INJURY OR DEATH.

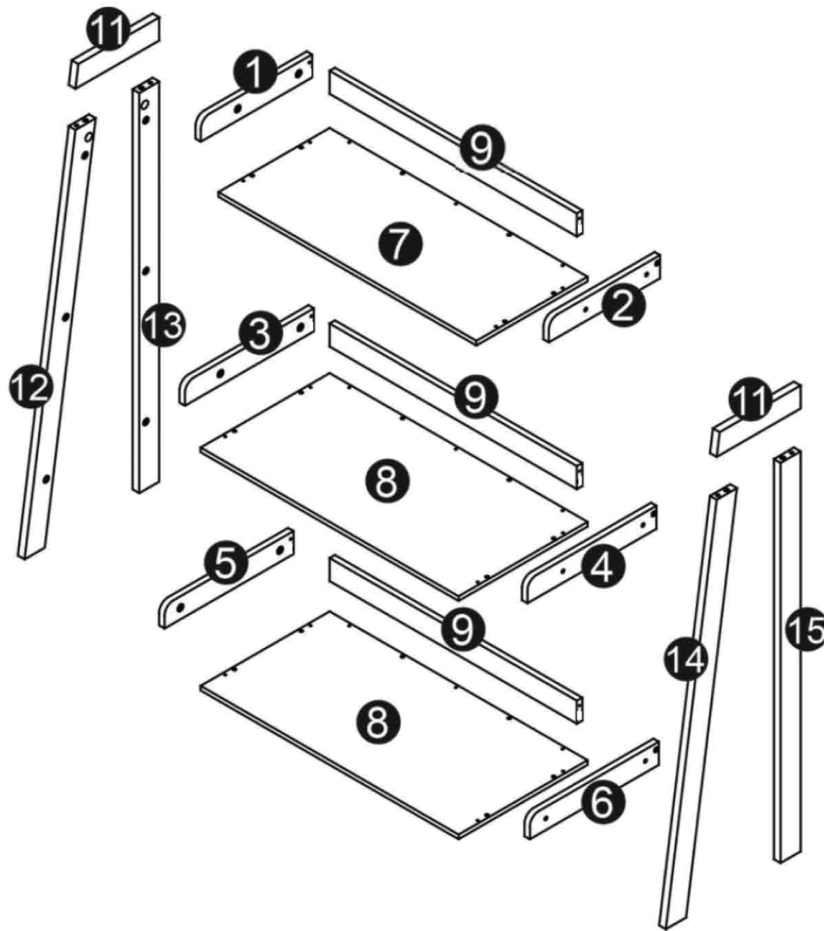


WARNING

SERIOUS OR FATAL INJURIES CAN OCCUR FROM FURNITURE TIP-OVER. TO HELP PREVENT TIP-OVER:


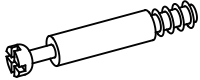

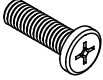



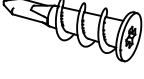

- **Always use tip over restraints and/or wall anchors to secure furniture to the wall**
- **Place heaviest items in the lowest drawers/bins or shelves**
- **Do not set TV's or other heavy objects on the top of this product**
- **Never allow children to climb or hang on to the drawers/bins, doors or shelves of furniture**
- **Never open more than one drawer at a time or defeat or remove any drawer interlock system**

PARTS LIST



NO	QTY	DESCRIPTION
1	1PC	Top Shelf Left Rail Board
2	1PC	Top Shelf Right Rail Board
3	1PC	Middle Shelf Left Rail Board
4	1PC	Middle Shelf Right Rail Board
5	1PC	Bottom Shelf Left Rail Board
6	1PC	Bottom Shelf Right Rail Board
7	1PC	Top Shelf
8	2PCS	Middle and Bottom Shelf
9	3PCS	Rear Rail Board
11	2PCS	Side Frame Top Bar
12	1PC	Left Side Front Leg
13	1PC	Left Side Rear Leg
14	1PC	Right Side Front Leg
15	1PC	Right Side Rear Leg

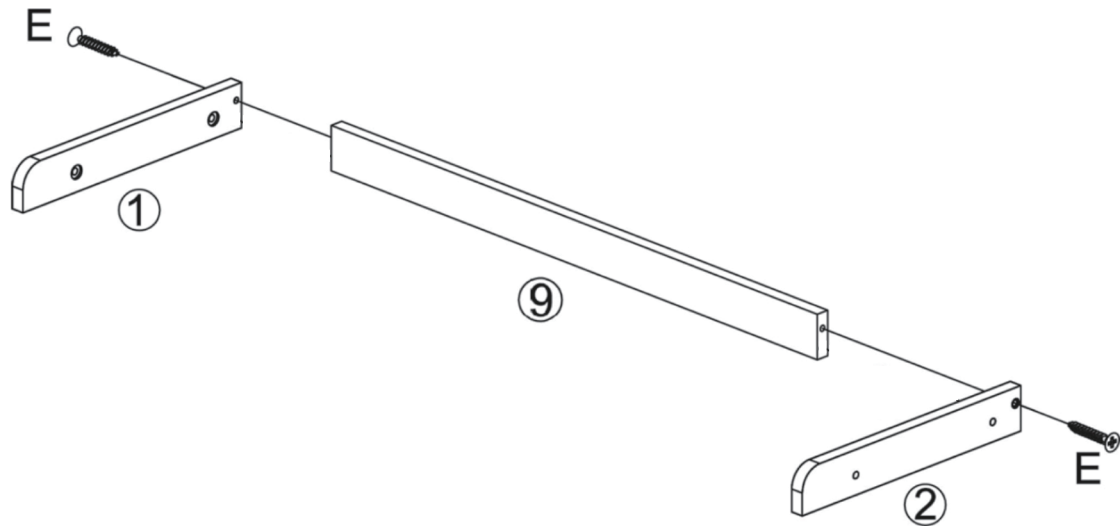
PARTS LIST

NO	PARTS	QTY	DESCRIPTION
A		22PCS	Wood Dowel
B		4PCS	Cam Bolt
C		4PCS	Cam Lock
D		12PCS	Machine Screw (6x20mm)
E		27PCS	Screw (3.5x25mm)
F		1PC	Screw (4x30mm)
G		1PC	Screw (4x8mm)
H		1PC	Plastic Anchor
J		1PC	Adjustable Anchor Bracket

**TOOLS NEEDED FOR ASSEMBLY: FLAT & PHILLIPS SCREWDRIVER (NOT INCLUDED)
THE USE OF A POWER SCREWDRIVER IS NOT RECOMMENDED FOR ASSEMBLY
DO NOT USE ITEM IF ANY PARTS ARE MISSING OR DAMAGED**

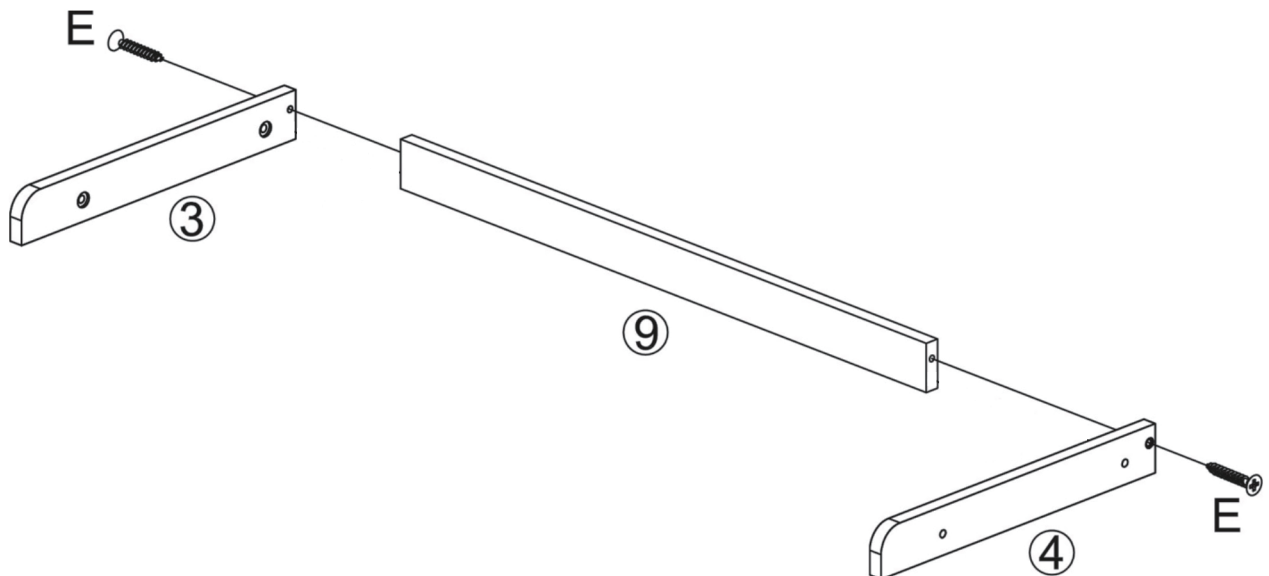
To order replacement parts at no cost to you, email customer.service@ssi-rr.com, call 1-(844)-223-5201 or order parts online at www.riverridgehome.com. Only valid in the United States. If purchased outside of the United States, please contact retailer where purchased.

STEP 1



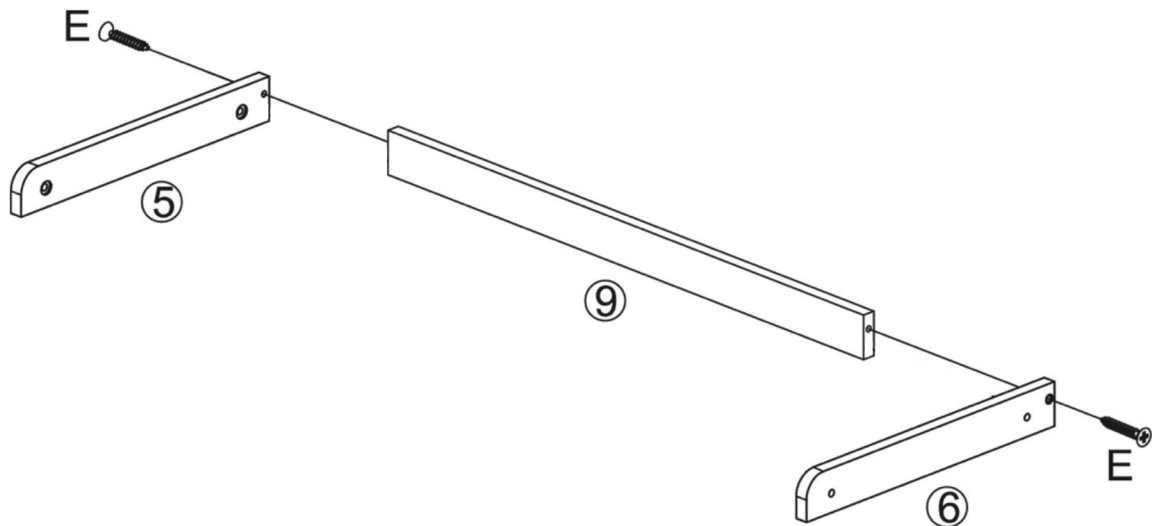
1. Insert 1 screw (E) through hole on top shelf left rail board (1) and tighten to rear rail board (9).
2. Repeat above step to assemble top shelf right rail board (2) to rear rail board (9).

STEP 2



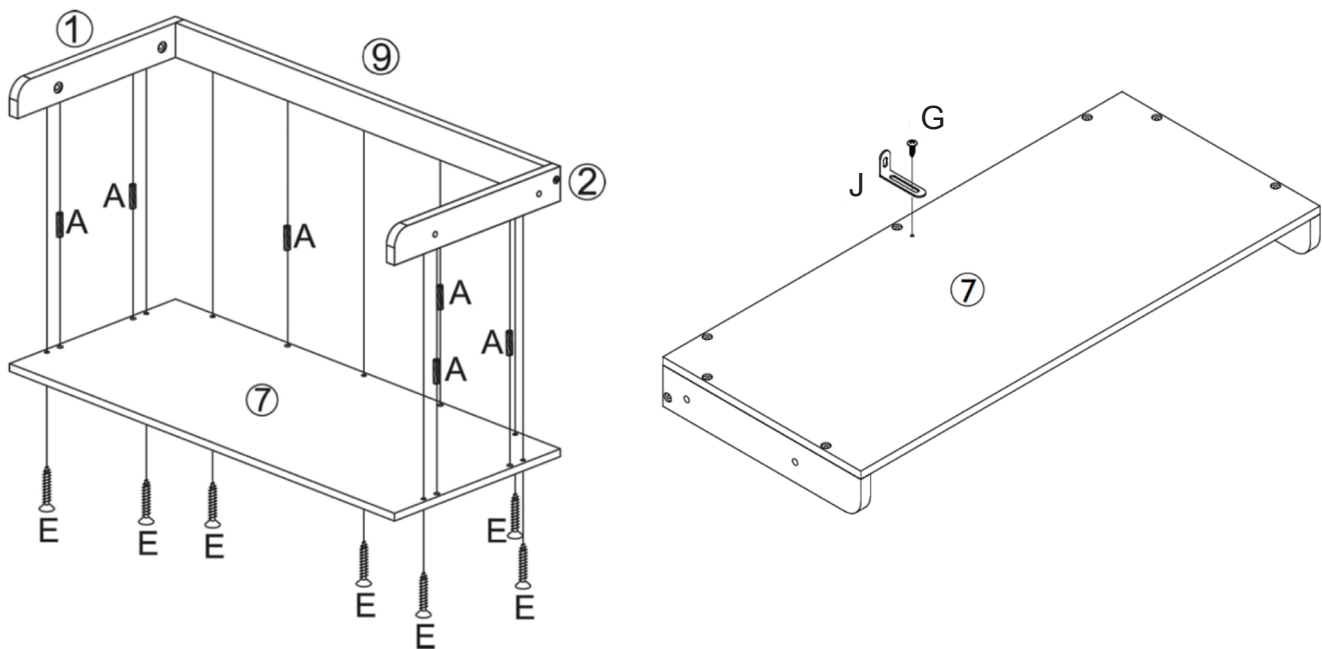
1. Insert 1 screw (E) through hole on middle shelf left rail board (3) and tighten to rear rail board (9).
2. Repeat above step to assemble middle shelf right rail board (4) to rear rail board (9).

STEP 3



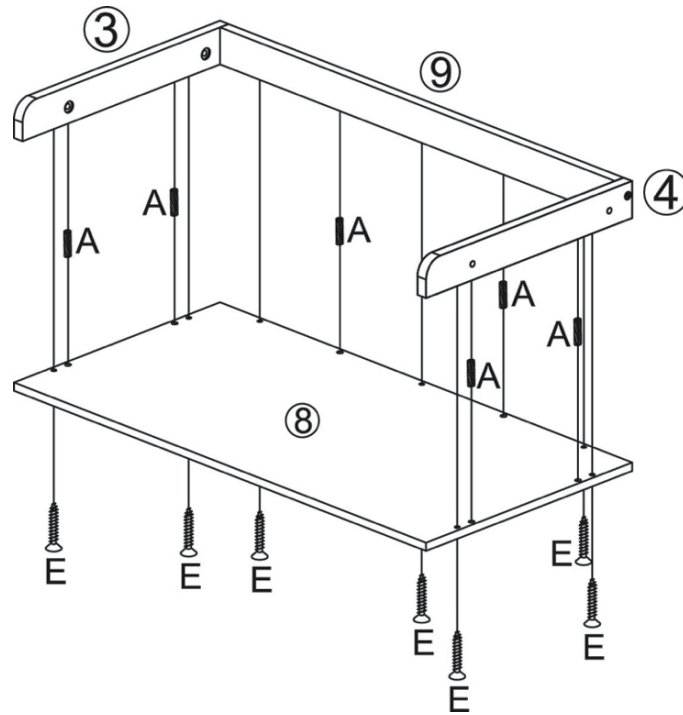
1. Insert 1 screw (E) through hole on bottom shelf left rail board (5) and tighten to rear rail board (9).
2. Repeat above step to assemble bottom shelf right rail board (6) to rear rail board (9).

STEP 4



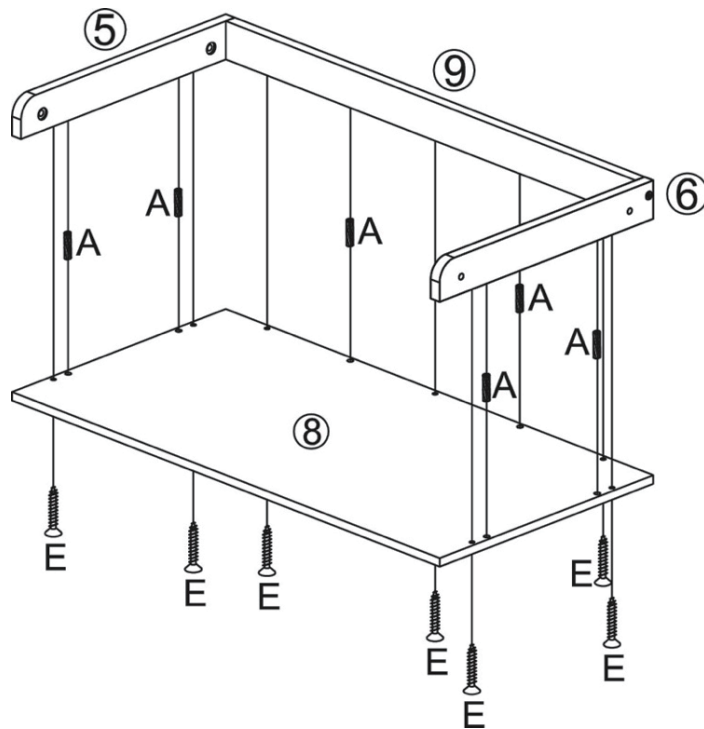
1. Insert 6 wood dowels (A) into wood dowel holes on top shelf (7).
2. Attach top shelf (7) to rail boards (1, 2, 9) by inserting wood dowels (A) into wood dowel holes on rail boards (1, 2, 9).
3. Insert 7 screws (E) through holes on top shelf (7) and tighten to rail boards (1, 2, 9).
4. Attach adjustable anchor bracket (J) to top shelf (7) by inserting 1 screw (G) through hole on adjustable anchor bracket (J), then tighten to top shelf (7).

STEP 5



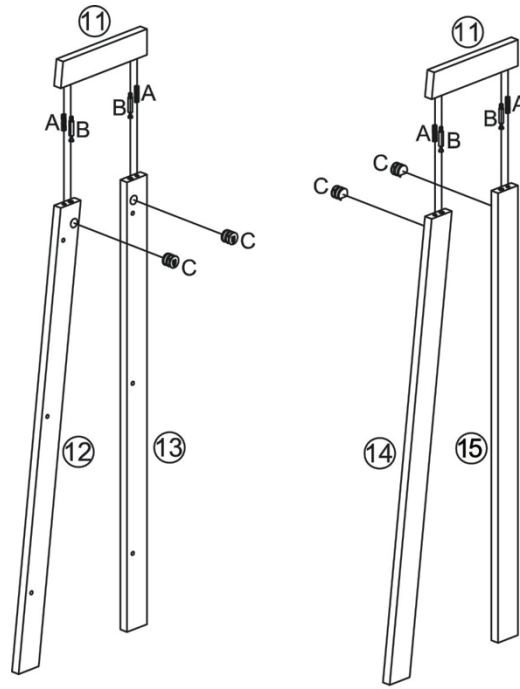
1. Insert 6 wood dowels (A) into wood dowel holes on middle shelf (8).
2. Attach middle shelf (8) to rail boards (3, 4, 9) by inserting wood dowels (A) into wood dowel holes on rail boards (3, 4, 9).
3. Insert 7 screws (E) through holes on middle shelf (8) and tighten to rail boards (3, 4, 9).

STEP 6



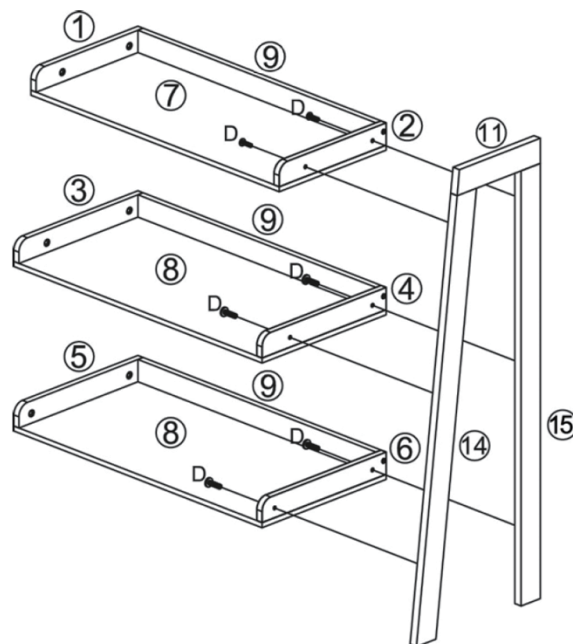
1. Insert 6 wood dowels (A) into wood dowel holes on bottom shelf (8).
2. Attach bottom shelf (8) to rail boards (5, 6, 9) by inserting wood dowels (A) into wood dowel holes on rail boards (5, 6, 9).
3. Insert 7 screws (E) through holes on bottom shelf (8) and tighten to rail boards (5, 6, 9).

STEP 7



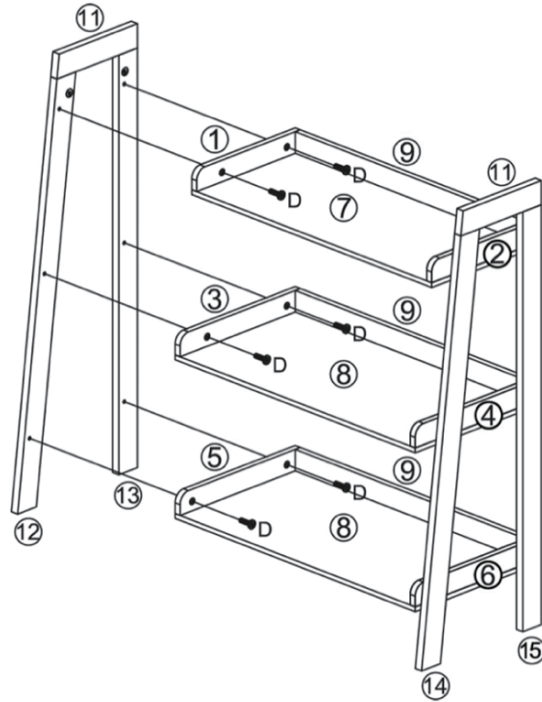
1. Insert 2 wood dowels (A) into wood dowel holes on top bar (11).
2. Screw 2 cam bolts (B) into cam bolt holes on top bar (11).
3. Attach top bar (11) to left side front leg (12) and left side rear leg (13) by inserting wood dowels (A) into wood dowel holes and inserting 2 cam bolts (B) into cam lock holes on left side front leg (12) and left side rear leg (13).
4. Insert 2 cam locks (C) into cam lock holes on left side front leg (12) and left side rear leg (13), then rotate clockwise to secure cam bolts in place.
5. Repeat above steps to assemble other top bar (11) to right side front leg (14) and right side rear leg (15).

STEP 8



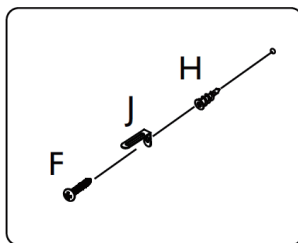
1. Attach top shelf (7) and rail boards to right-side frame by inserting 2 machine screws (D) through holes on right rail board (2) and tighten to pre-assembled right-side frame.
2. Repeat above step to attach middle and bottom shelves (8) to pre-assembled right-side frame.

STEP 9

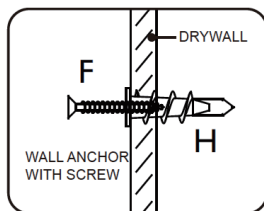


1. Attach top shelf (7) and rail boards to pre-assembled left-side frame by inserting 2 machine screws (D) through holes on left rail board (1) and tighten to pre-assembled left-side frame.
2. Repeat above step to assemble middle and bottom shelves (8) to pre-assembled left-side frame.

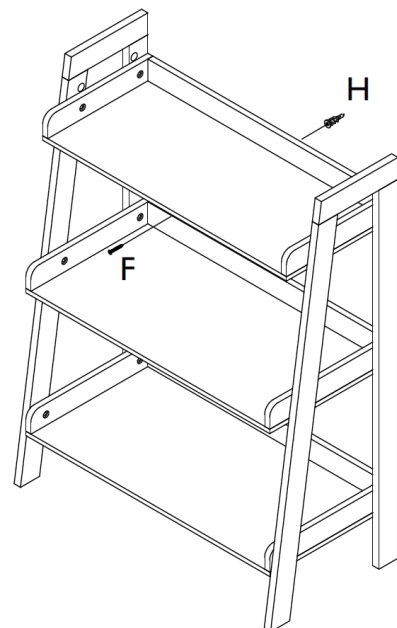
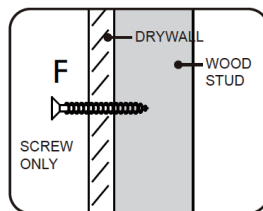
STEP 10



OPTION #1



OPTION #2



Option #1: Securing to Drywall

1. Position shelf against wall in desired location. Using a pencil, make small mark on wall through hole on bracket (J). Move shelf away from wall and screw 1 plastic anchor (H) into wall on pencil mark.
2. Place shelf against wall, insert 1 screw (F) through hole on bracket (J), then tighten to plastic anchor (H).

Option #2: Securing to Drywall and Wood Stud

1. Position shelf against wall in desired location. Insert 1 screw (F) through hole on bracket (J), then tighten through drywall and into wood stud.

*Tip: Anchor bracket (J) can be adjusted to correct distance from wall to cabinet as needed. Once adjusted, be sure to re-tighten bracket inside cabinet for stability.

ATTENTION ADULTS: Cabinet should be checked periodically for damage or loose screws/parts. Take appropriate action necessary to correct hazards such as tightening of screws and taking any damaged parts away from children.

WARNING  Please make sure your item is secured to the wall, per assembly instructions.

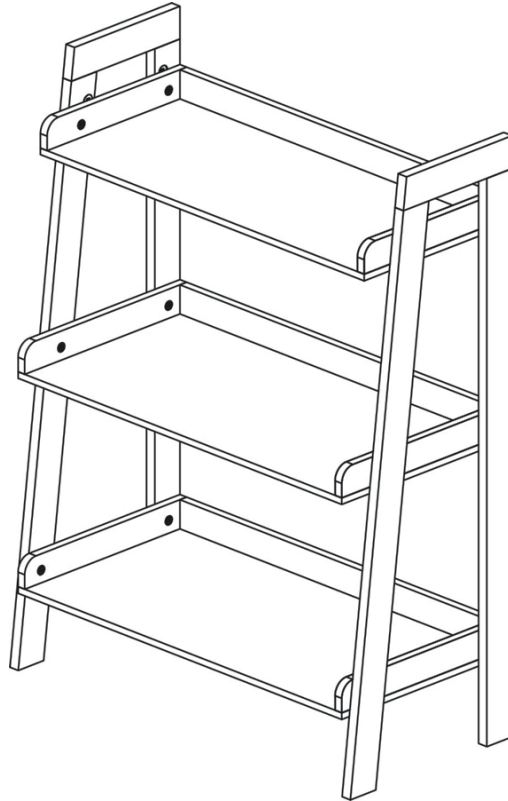
CARE INSTRUCTIONS:

Wipe clean with a water dampened cloth. Wipe dry with clean cloth.

IMPORTANT:

Keep assembly instructions for future reference.

Enjoy your new RiverRidge® Ladder Shelf!



Thank you for purchasing this RiverRidge® Home item. We hope you enjoy it and consider purchasing other RiverRidge® items.

To order replacement parts at no cost to you, email customer.service@ssi-rr.com, call 1-(844)-223-5201 or order parts online at www.riverridgehome.com. Only valid in the United States. If purchased outside of the United States, please contact retailer where purchased.



RiverRidge® is a registered trademark of Sourcing Solutions, Inc., Hudson, WI 54016