

DEVONSHIRE® RITE-TEMP®

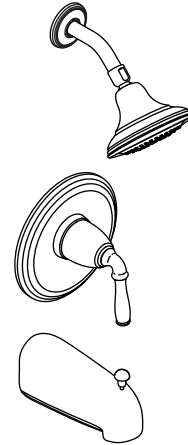
Features

- Metal construction
- Brass valve bodies
- Rite-Temp® pressure-balancing diaphragm design
- High-temperature limit setting for added safety
- Pressure-balancing mechanism of one-piece diaphragm cartridge design for ease of maintenance
- Mixing valve cycles from "cold" to "hot"
- Intended for use with Rite-Temp® or HiFlow Rite-Temp® valves

**PRESSURE-BALANCING
BATH/SHOWER VALVE TRIM**

K-T395

ALSO K-T396, K-T397



Codes/Standards Applicable

Specified model meets or exceeds the following:

- ASME A112.18.1/CSA B125.1

Colors/Finishes

- CP: Polished Chrome
- PB: Vibrant® Polished Brass
- Other: Refer to Price Book for additional colors/finishes

Specified Model

Separate Trim and Rite-Temp® Valve: For complete valve, both valve trim and Rite-Temp® valve must be specified.				
Model	Description	Colors/Finishes		
K-T395-4	Shower and valve trim, with NPT diverter spout	<input type="checkbox"/> CP	<input type="checkbox"/> PB	<input type="checkbox"/> Other ____
K-T395-4S	Shower and valve trim, with slip-fit diverter spout	<input type="checkbox"/> CP	<input type="checkbox"/> PB	<input type="checkbox"/> Other ____
K-T396-4	Shower and valve trim	<input type="checkbox"/> CP		<input type="checkbox"/> Other ____
K-T397-4	Valve trim	<input type="checkbox"/> CP	<input type="checkbox"/> PB	<input type="checkbox"/> Other ____

Applicable Bath Spout				
Model	Description	Colors/Finishes		
K-373	Non-diverter bath spout	<input type="checkbox"/> CP	<input type="checkbox"/> PB	<input type="checkbox"/> Other ____
K-373-S	Slip-fit diverter bath spout	<input type="checkbox"/> CP	<input type="checkbox"/> PB	<input type="checkbox"/> Other ____
K-389	Non-diverter bath spout	<input type="checkbox"/> CP	<input type="checkbox"/> PB	<input type="checkbox"/> Other ____
K-389-S	Slip-fit diverter bath spout	<input type="checkbox"/> CP	<input type="checkbox"/> PB	<input type="checkbox"/> Other ____

Required Accessories		
K-304-*	Rite-Temp® valve OR	<input type="checkbox"/> NA

Product Specification

The Rite-Temp® pressure-balancing single-control bath and shower valve shall be made of metal construction with a brass valve body. Valve shall mix the water from the "off" position, though the "cold" to the "hot", and includes a high-temperature limit setting for added safety. The pressure-balancing mechanism shall be of one-piece diaphragm cartridge design for ease of maintenance. Bath and shower valve shall include showerhead with arm and flange, faceplate with handle, and 5-1/4" (13.3 cm) diverter spout with NPT or slip-fit connection. Valve shall be Kohler Model K-____-____-____ with K-____-____-NA Rite-Temp® valve.

DEVONSHIRE® RITE-TEMP®

Technical Information

Required Accessories		
K-2971-KS	HiFlow Rite-Temp valve with stops	<input type="checkbox"/> NA
* For a complete listing of all the Rite-Temp valves, refer to the K-304-* Specification Sheet or Roughing-In sheet.		

Optional Accessories			
88526	HiFlow Rite-Temp® thin wall installation kit	<input type="checkbox"/> CP	<input type="checkbox"/> Other ___
1030932	Deep roughing-in kit for Rite-Temp® valve (lever handles)	<input type="checkbox"/> NA	

Installation Notes

Install this product according to the installation guide.

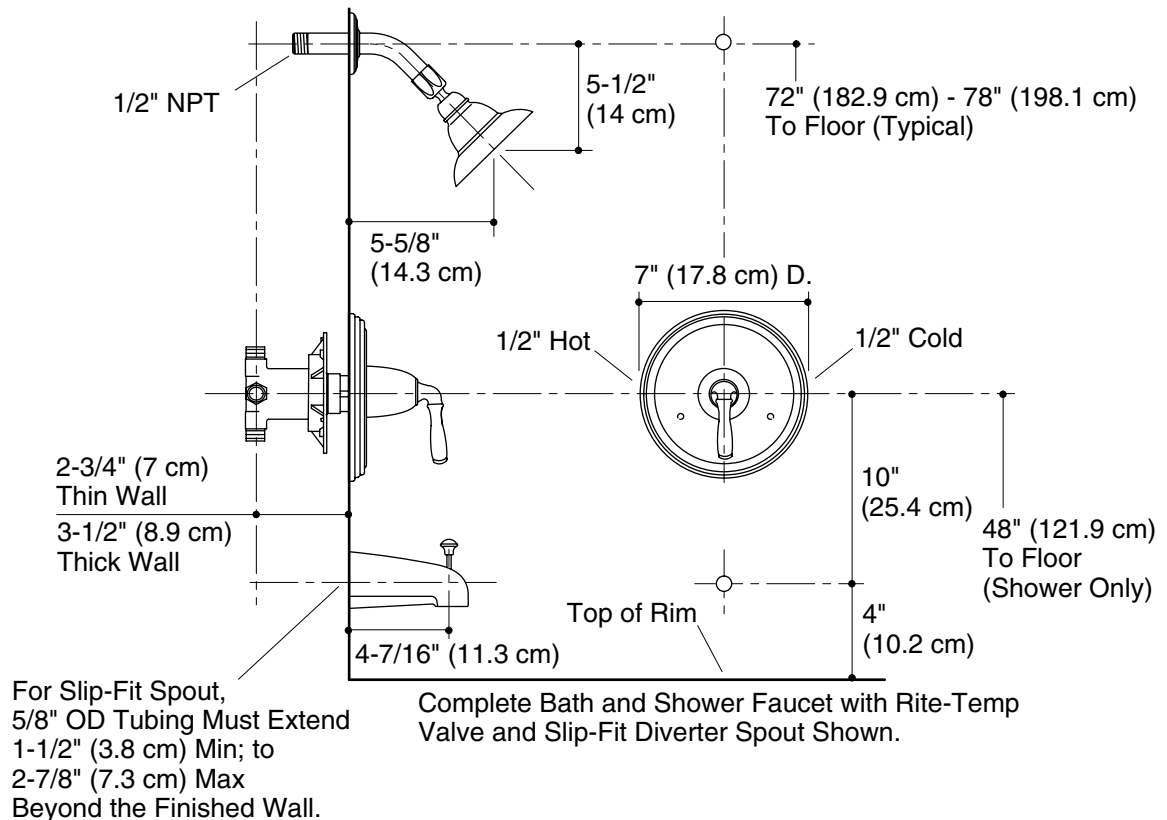
Install the Rite-Temp® valve according to the valve installation guide.

NOTICE: Risk of product damage. Long screws, for installing trim, can damage the K-2971-KS valve. Consult the trim installation guide to verify if the thin wall installation kit (88526) is needed.

Avoid cross-flow conditions. Do not install shut-off device on either valve outlet.

Cap shower outlet if deck-mounted spout, diverter, or handshower is connected to the spout outlet.

Install straight pipe or tube drop of 7" (17.8 cm) to 18" (45.7 cm) with single elbow between valve and wall-mount spout.



Product Diagram