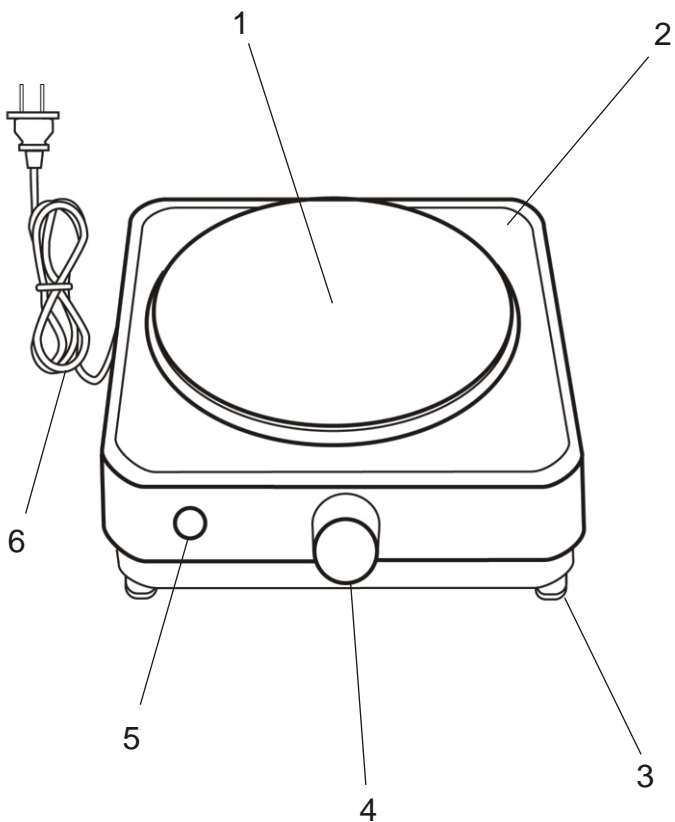


# PARTS IDENTIFICATION



1. Hot plate heating element
2. Black enamel finish body
3. Non-skid feet
4. Temperature and OFF control
5. ON indicator light
6. Power cord and plug