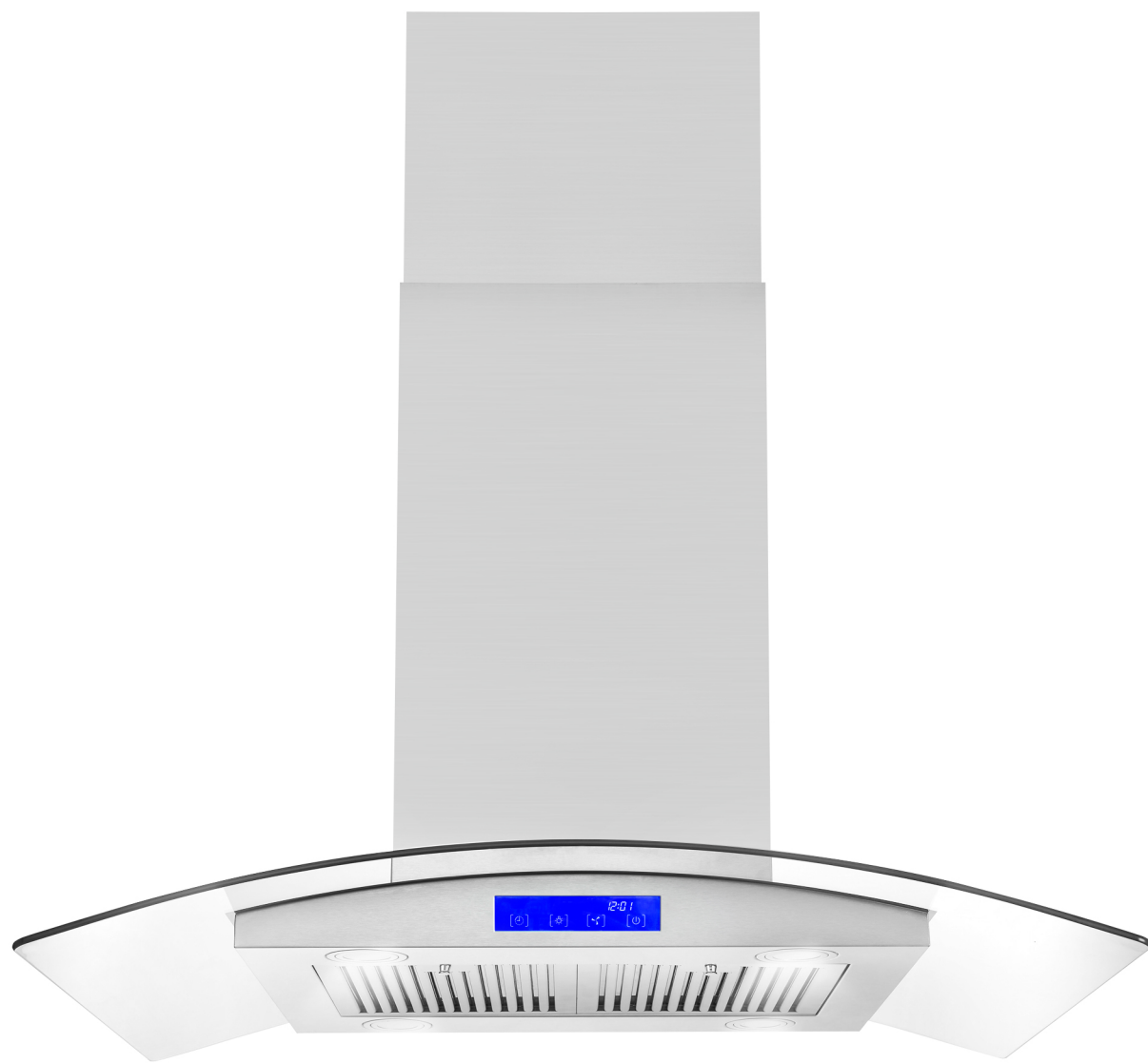




# SPECIFICATIONS

## COS-668ICS900 Range Hood



<b>Size</b>	36 Inch
<b>Mounting Type</b>	Island Mount
<b>Controls</b>	Soft Touch with LCD Display
<b>Filters</b>	2 x Stainless Steel Baffle Filters
<b>Material</b>	Stainless Steel, Tempered Glass
<b>Air Flow</b>	380 CFM
<b>Noise Level</b>	45 dB*
<b>Vent Style</b>	External
<b>Lighting</b>	4 x LED, Each Corner
<b>Voltage</b>	120V / 60Hz
<b>Wattage</b>	196W
<b>Included Components</b>	Bulb(s), Damper, Exhaust Vent, Fan Hardware, Installation Kit, Power Cord

### COS-668ICS900

The perfect piece for any contemporary kitchen, Cosmo's COS-668ICS900 Range Hood is powered by 380 CFM of suction, 4 LED lights, and ARC-FLOW® Permanent Filters.



3 Fan Speeds



Soft Touch Controls



LED Lighting

### Features

- Designed for island mounting
- 3 fan speeds
- 380 CFM airflow capacity
- Soft touch controls with LCD display
- ARC-FLOW® Permanent Filters
- 4 LED lights in each corner
- Noise level as low as 45 dB\*
- Curved tempered glass hood



See Page 2 for dimensions

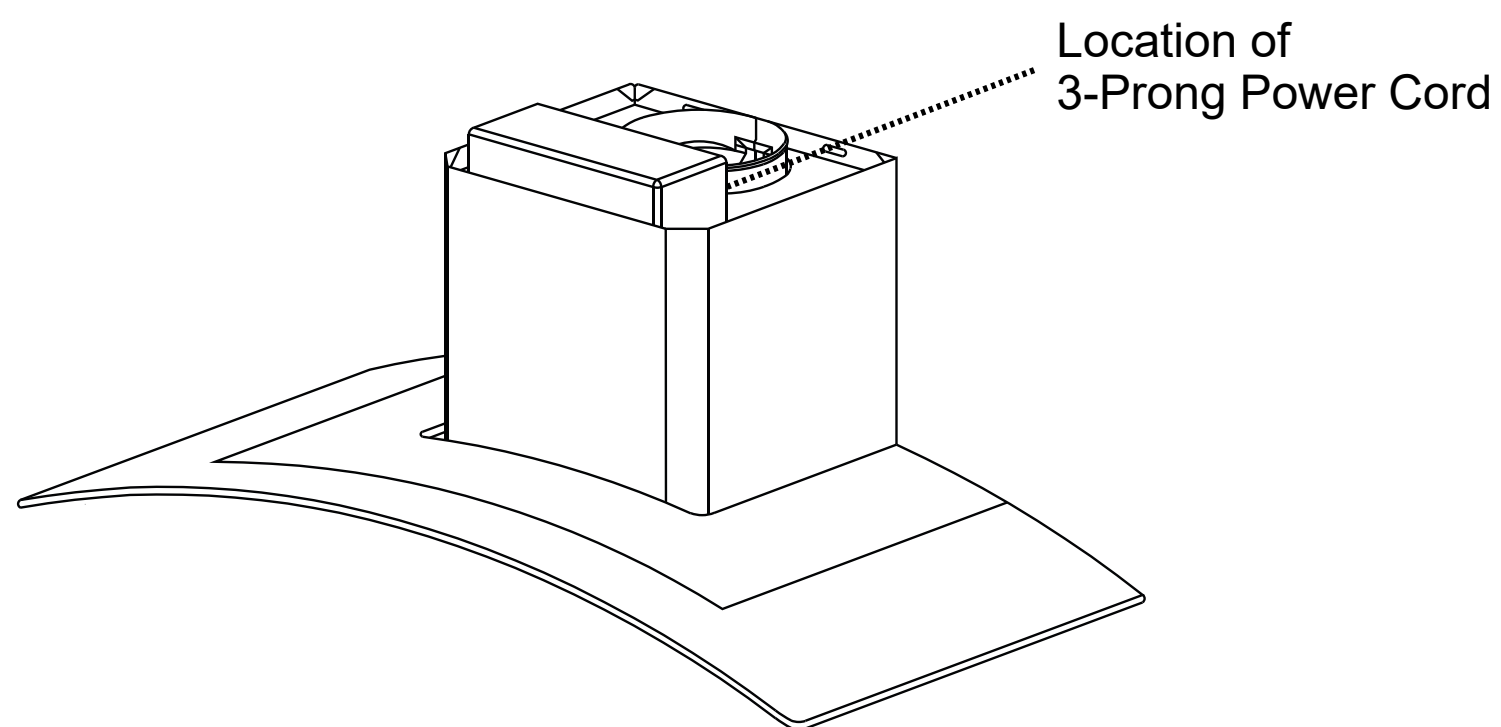
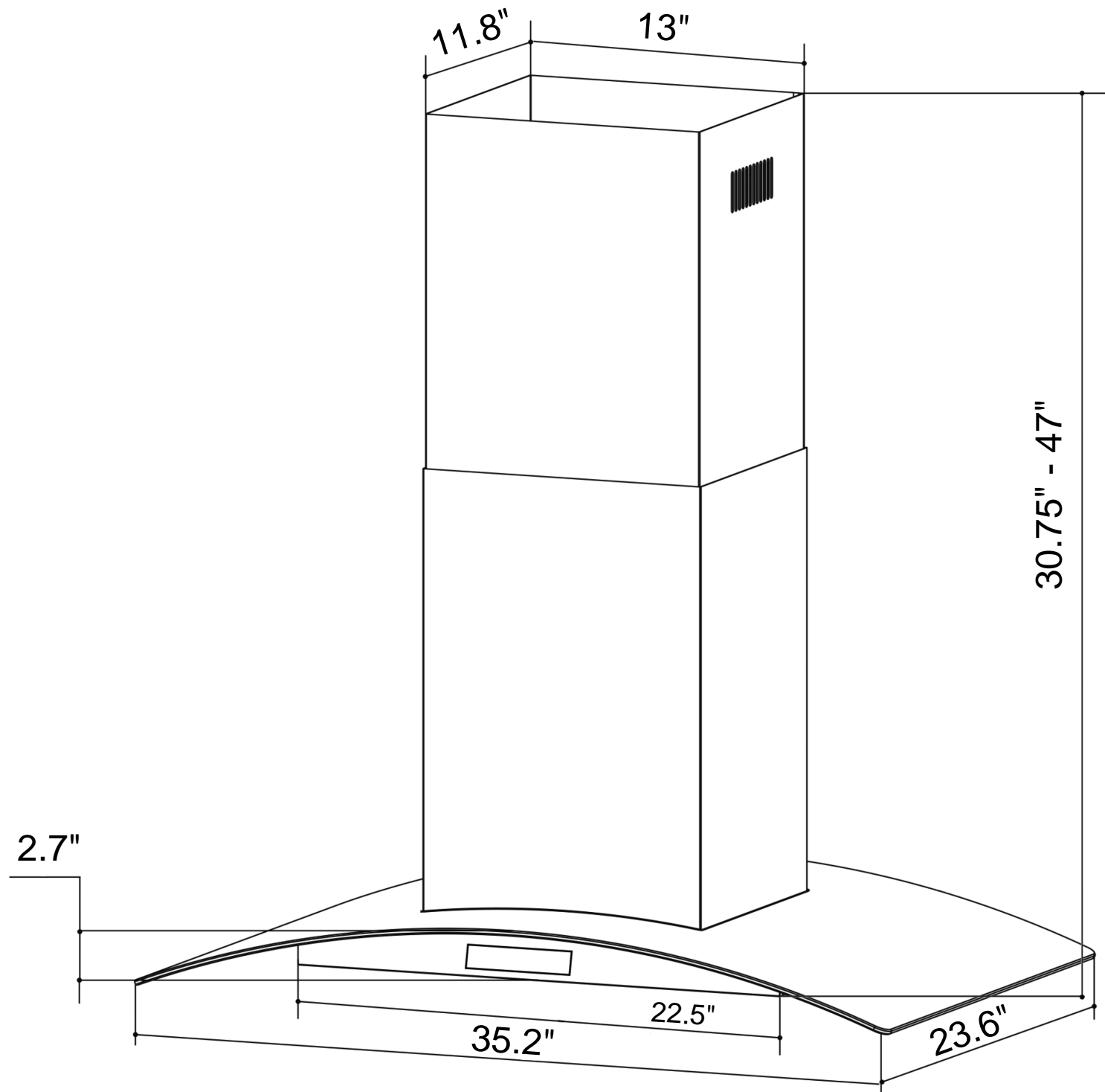
For more information, please visit: [www.cosmoappliances.com](http://www.cosmoappliances.com)

\* Noise level as low as 45 dB on lowest fan speed with rigid ducting (sold separately) under optimal conditions



# DIMENSIONS

**COS-668ICS900** Range Hood



**Dimensions (WxDxH): 35.2" x 23.6" x 30.75-47"**