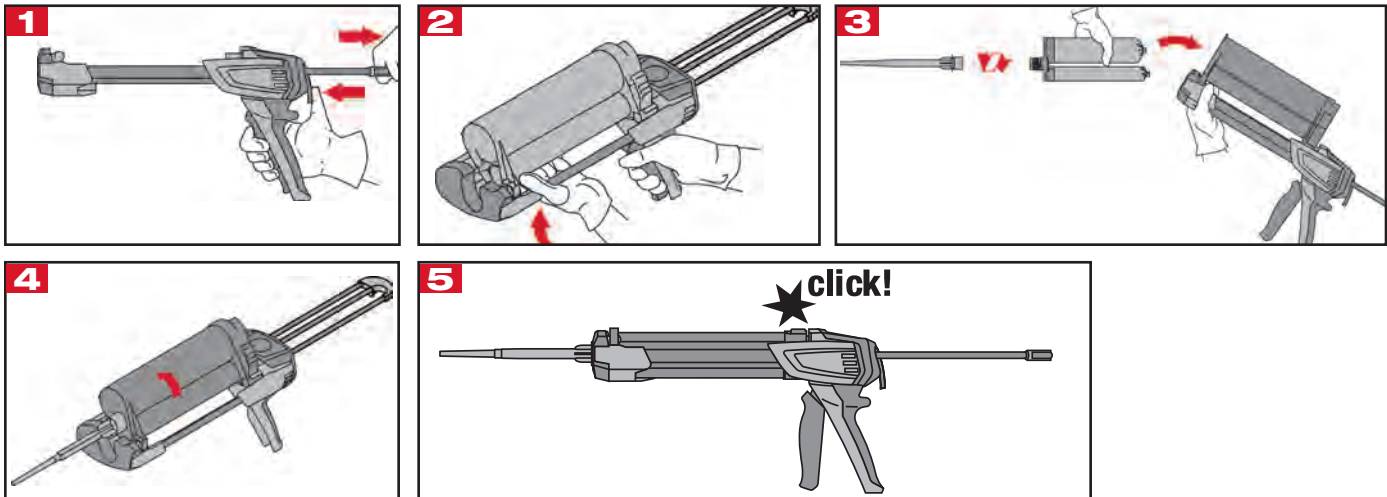
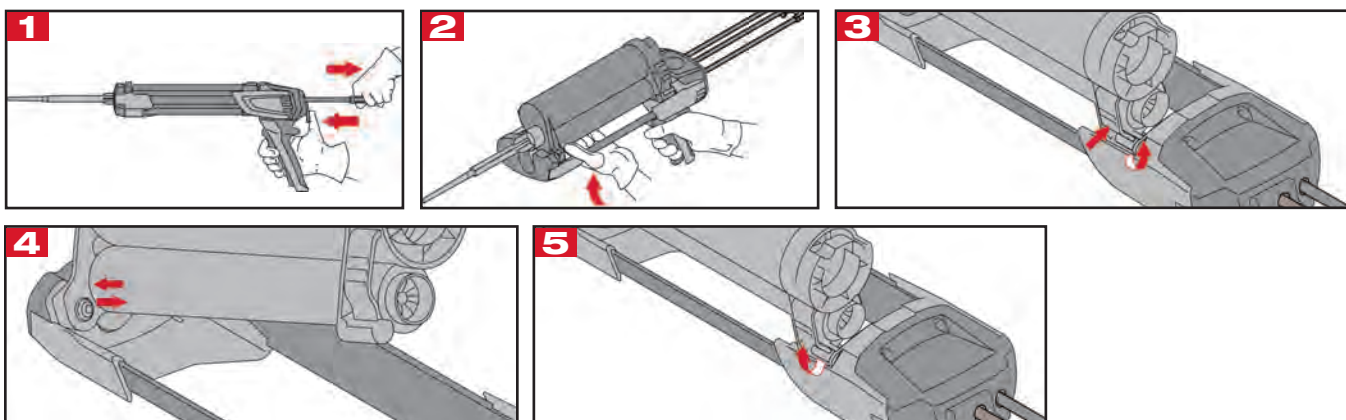


How to change adhesive cartridges in your new HDM 500 Manual Dispenser:



1. Press the release button and maintain pressure on it. Pull the piston rods all the way back.
2. Remove the foil pack holder from the tool by tilting it slightly and applying light pressure from below.
3. Push a new foil pack into the holder as far as it will go. Screw on a new mixing nozzle.
4. Re-insert the foil pack holder in the tool.
5. Apply light pressure until it clicks into place.

How to change the cartridge holder in your new HDM 500 Manual Dispenser:



1. Press the release button and maintain pressure on it. Pull the piston rods all the way back.
2. Remove the foil pack holder from the tool by tilting it slightly and applying light pressure from below. Grip the foil pack holder by the large cylinder. Keep the release button at the rear end of the foil pack holder pressed in.
3. Disengage the foil pack holder from the rear locating lug.
4. Pull the eye on the foil pack holder off the front locating lug and remove the foil pack holder from the tool. Fit the eye of the new foil pack holder onto the locating lug at the front end of the tool.
5. Guide the rear of the foil pack holder under the rear locating lug until it engages in place.

Note: Read and follow the instructions packaged with the adhesive before handling or using the adhesive.

Hilti. Outperform. Outlast.