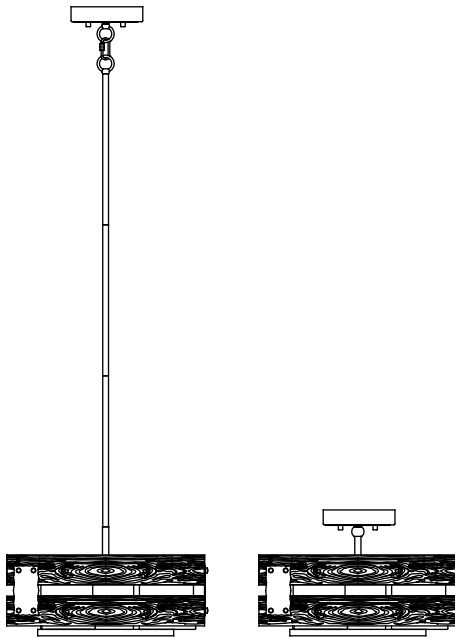


USE AND CARE GUIDE

3-LIGHT PENDANT /SEMI-FLUSHMOUNT



Questions, problems, missing parts? Before returning to the store,
call Home Decorators Collection Customer Service
8 a.m. - 7 p.m., EST, Monday – Friday, 9 a.m. - 6 p.m., EST, Saturday

1-800-986-3460

WWW.HOMEDEPOT.COM/HOMEDECORATORS

THANK YOU

We appreciate the trust and confidence you have placed in Home Decorators Collection through the purchase of this 3-light pendant/semi-flushmount. We strive to continually create quality products designed to enhance your home. Visit us online to see our full line of products available for your home improvement needs. Thank you for choosing Home Decorators Collection!

Table of Contents

Table of Contents.....	2	Hardware Included.....	3
Safety Information.....	2	Package Contents.....	4
Warranty.....	2	Pendant Installation.....	5
Pre-Installation.....	3	Semi-Flushmount Installation.....	8
Planning Installation	3	Care & Cleaning.....	11
Tools Required.....	3	Troubleshooting.....	11

Safety Information

- Read all instructions before assembling and installing.
- Consult a qualified electrician for installation of this fixture.
- If you have any non-electrical questions about this fixture, please contact our Customer Service Team at 1-800-986-3460 or visit WWW.HOMEDEPOT.COM/HOMEDECORATORS.
- Please reference your SKU 1003 108 819 or (UPC 773546285841).
- Keep your receipt and these instructions for proof of purchase.



CAUTION: Before starting installation of this fixture or removal of a previous fixture, disconnect the power by turning off the circuit or by removing the fuse at the fuse box.



IMPORTANT: Do not install this lighting system in damp or wet locations.



IMPORTANT: Inspect the wire insulation for any cuts, abrasions, or exposed copper that have occurred during shipping. If there is a defect in the wire, do not continue the assembly process. Please call our Customer Service Team at 1-800-986-3460.

Warranty

LIMITED WARRANTY

WHAT IS COVERED

The manufacturer warrants this lighting fixture to be free from defects in materials and workmanship for a period of five (5) years from date of purchase. This warranty applies only to the original consumer purchaser and only to products used in normal use and service. If this product is found to be defective, the manufacturer's only obligation, and your exclusive remedy, is the repair or replacement of the product at the manufacturer's discretion, provided that the product has not been damaged through misuse, abuse, accident, modification, alteration, neglect, or mishandling.

WHAT IS NOT COVERED

This warranty shall not apply to any product that is found to have been improperly installed, set-up, or used in any way not in accordance with the instructions supplied with the product. This warranty shall not apply to a failure of the product as a result of an accident, misuse, abuse, negligence, alteration, faulty installation, or any other failure not relating to faulty material or workmanship. This warranty shall not apply to the finish on any portion of the product, such as surface and/or weathering, as this is considered normal wear and tear. The manufacturer does not warrant and specially disclaims any warranty, whether express or implied, of fitness for a particular purpose, other than the warranty contained herein. The manufacturer specifically disclaims any liability and shall not be liable for any consequential or incidental loss or damage, including but not limited to any labor/expense costs involved in the replacement or repair of said product.

Contact Customer Care at 1-800-986-3460 or visit WWW.HOMEDEPOT.COM/HOMEDECORATORS.

Pre-Installation

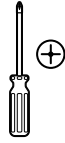
PLANNING INSTALLATION

Read all instructions before assembly and installation. To avoid damaging this product, assemble it on a soft, non-abrasive surface, such as carpet or cardboard. Inspect each part for defects that may have occurred during shipping. Keep your receipt and these instructions for proof of purchase.

TOOLS REQUIRED



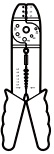
Safety goggles



Phillips screwdriver



Flathead screwdriver



Wire strippers



Wire cutters

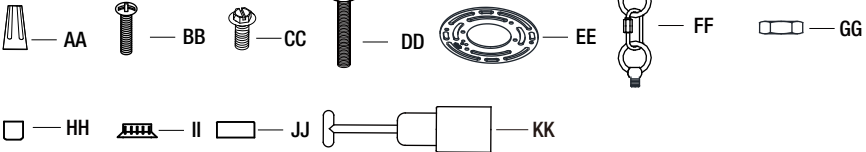


Ladder

HARDWARE INCLUDED



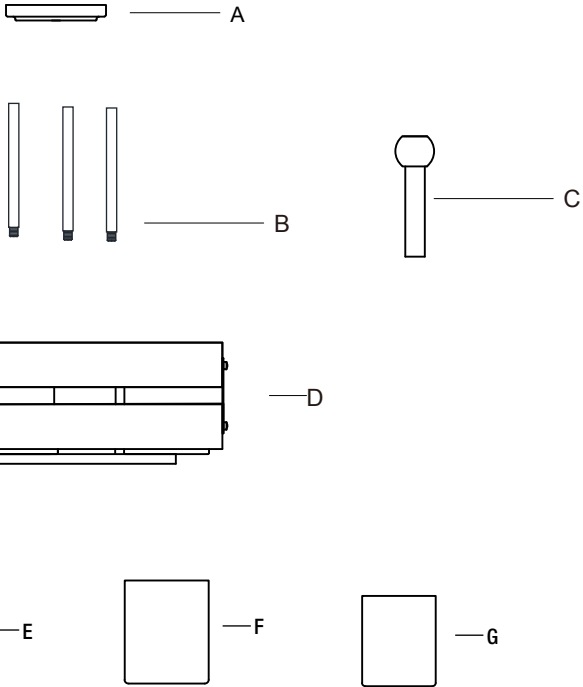
NOTE: Hardware not shown to actual size.



Part	Description	Quantity
AA	Wire nut	3
BB	Mounting screw	2
CC	Ground screw	1
DD	Outlet box screw	2
EE	Mounting plate	1
FF	Chain	1
GG	Hex nut	2
HH	Lock nut	2
II	Socket ring	3
JJ	Glass holder	3
KK	Socket ring tool	1

Pre-Installation (continued)

PACKAGE CONTENTS

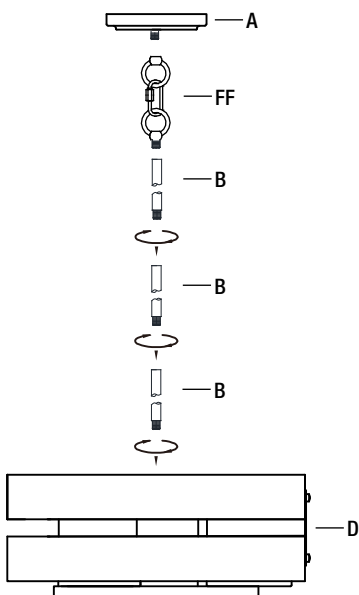


Part	Description	Quantity
A	Canopy	1
B	12" Rod	3
C	Rod	1
D	Fixture body	1
E	Big glass shades	1
F	Middle glass shades	1
G	Small glass shades	1

Pendant Installation

1 Installing the fixture body and rod

- Carefully unpack the fixture. Lay out all the parts on a clean surface.
- Unravel the supply power and ground wires and pass them through the hole of the 12 in rod (B), fixture chain (FF), and canopy (A).
- Thread the 12 in rod (B) into the nipple at the fixture body (D). Repeat this process for the remaining 12 in rods (E) if needed. Tighten until snug.
- Install the fixture chain (FF) to the 12 in rod (B) and install the other end of fixture chain (FF) to the canopy (A).

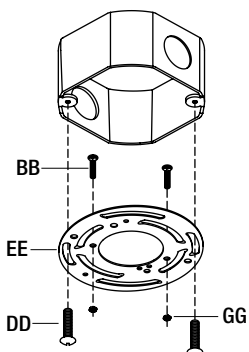


2 Installing the crossbar



WARNING: Turn off power at the main fuse box.

- Thread the two mounting screws (BB) into the mounting plate (EE), then secure with the hex nuts (GG).
- Attach the mounting plate (EE) to the junction box (not included) with the two outlet box screws (DD) provided.



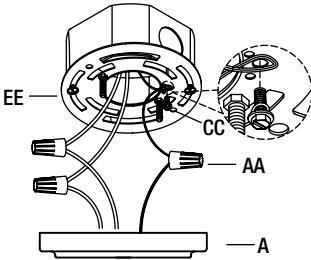
Pendant Installation (Continued)

3 Connecting the wires

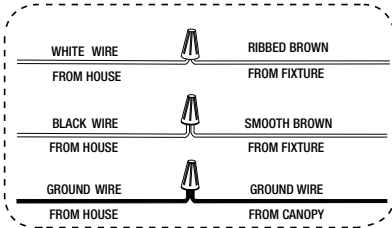


NOTE: Always use wire nuts (AA) or marrettes (included) to connect wires and push all excess wires and connections back into junction box.

- Push all slack fixture wires through the canopy (A) and into the outlet box. Trim the excess fixture wire, leaving a minimum of 6 in. hanging out of the outlet box.
- Connect the ground wire from the branch circuit to the ground screw (CC) on the crossbar (EE).

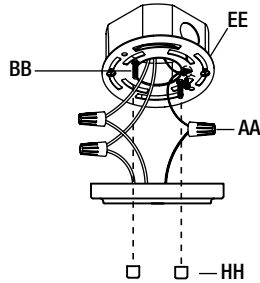


- Connect the fixture wires as follows.



4 Installing the canopy

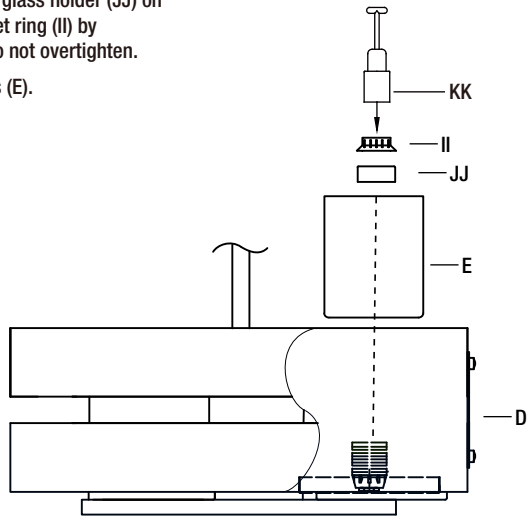
- Install the canopy (A) to the mounting plate (EE) by securing the two lock nuts (HH) to the two mounting screws (BB).



Pendant Installation (Continued)

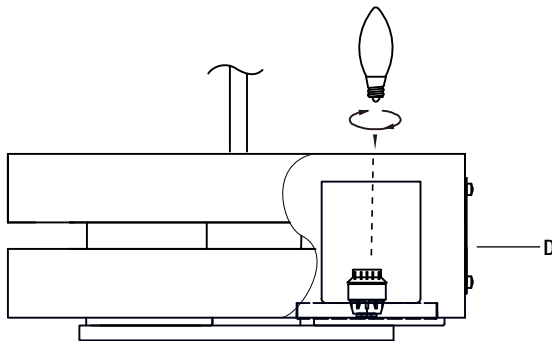
5 Installing the glass shade

- Remove the socket ring (II) and glass holder (JJ) from the socket of the fixture body (D) by hand.
- Place the big glass shade (E) and glass holder (JJ) on the socket. Secure with the socket ring tool (KK). Do not overtighten.
- Repeat for the other glass shades (E).



6 Installing the glass and bulbs

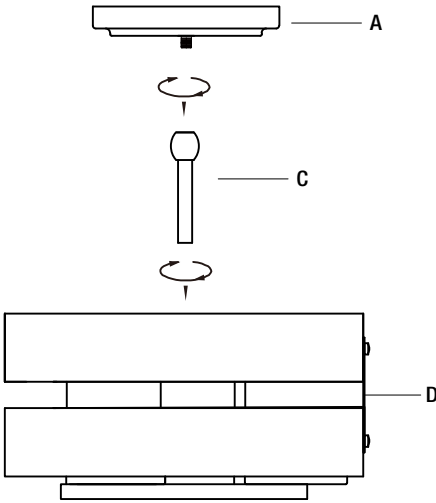
- Install 60W max. B10 bulbs (not included) to the socket of the fixture body (D).



Semi-Flushmount Installation

1 Installing the canopy and rod

- Carefully unpack the fixture. Lay out all the parts on a clean surface.
- Unravel the supply power and ground wires and pass them through the hole of the rod (C).
- Thread the rod (C) into the nipple at the fixture body (D).
- Install the canopy (A) to the nipple on the rod (C).

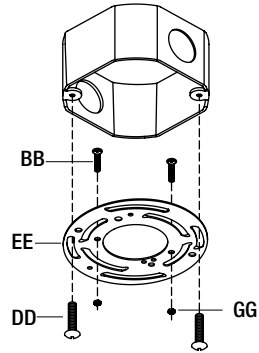


2 Installing the crossbar




WARNING: To reduce the risk of electrical shock, turn the power off at the main fuse box before installation.

- Thread the two mounting screws (BB) into the mounting plate (EE), then secure with the hex nuts (GG).
- Attach the mounting plate (BB) to the junction box (not included) with the two outflex box screws (DD) provided.

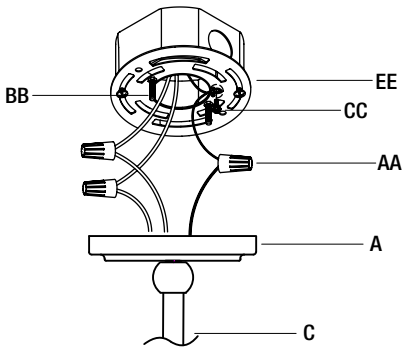


Semi-Flushmount Installation (Continued)

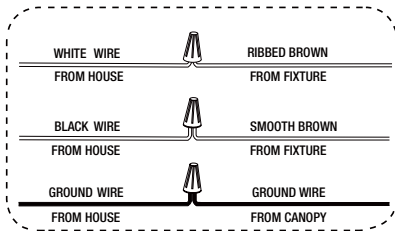
3 Connecting the wires

 **NOTE:** Always use wire nuts (AA) or marrettes (included) to connect wires and push all excess wires and connections back into junction box.

- Push all slack fixture wires through the canopy (A) and into the outlet box. Trim the excess fixture wire, leaving a minimum of 6 in. hanging out of the outlet box.
- Connect the ground wire from the branch circuit to the ground screw (CC) on the crossbar (EE).

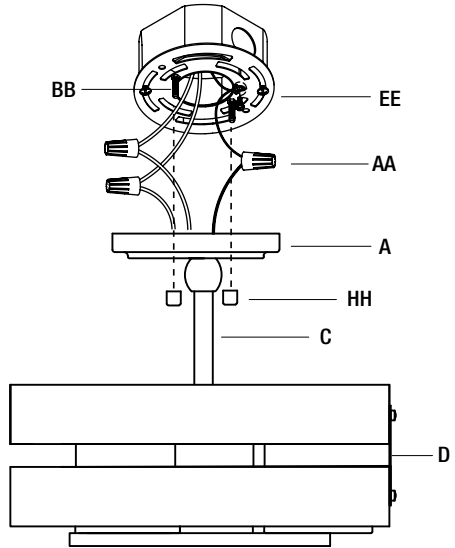


- Connect the fixture wires as follows.



4 Installing the canopy

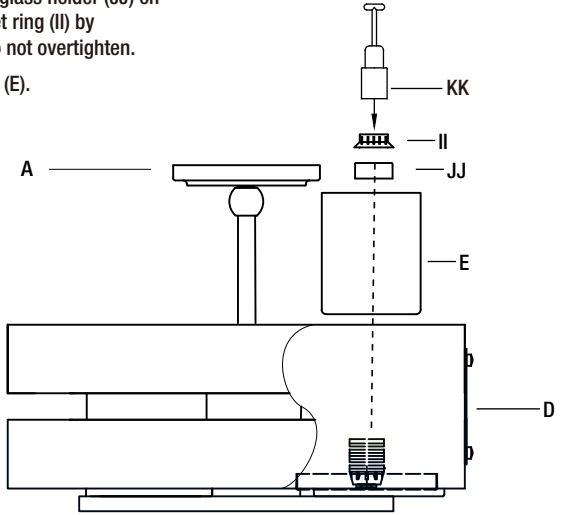
- Install the canopy (A) to the mounting plate (EE) by securing the two lock nuts (BB) to the two mounting screws (BB).



Semi-Flushmount Installation (Continued)

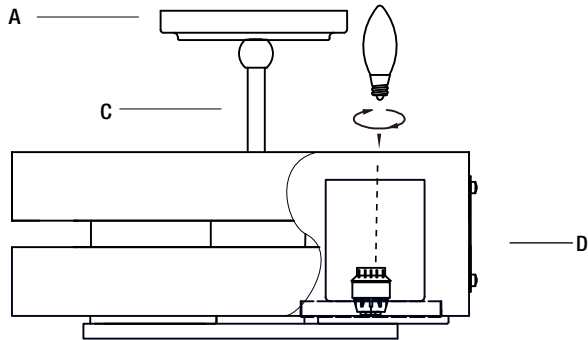
5 Installing the glass shade

- Remove the socket ring (II) and glass holder (JJ) from the socket of the fixture body (D) by hand.
- Place the big glass shade (E) and glass holder (JJ) on the socket. Secure with the socket ring tool (KK). Do not overtighten.
- Repeat for the other glass shades (E).



6 Installing the glass and bulbs

- Install 60W max. B10 bulbs (not included) to the socket of the fixture body (D).



Care and Cleaning

- Clean the light fixture carefully with a soft, dry cloth. Do not use any cleaners with chemicals, solvents, or harsh abrasives.

Troubleshooting

Problem	Possible Cause	Solution
□ The bulb will not light.	□ The bulb is burned out.	□ Replace the light bulb.
	□ The power is off.	□ Ensure that the power supply is turned on.
	□ The circuit breaker is off.	□ Ensure that the circuit breaker is set to the ON position.
□ The fuse blows or the circuit breaker trips when the light is turned on.	□ There are too many items on one circuit.	□ Unplug the other items on the circuit. □ Contact a qualified electrician or call the Customer Service Team at 1-800-986-3460.

HOME DECORATORS COLLECTION

Questions, problems, missing parts? Before returning to the store,
call Home Decorators Collection Customer Service
8 a.m. - 7 p.m., EST, Monday – Friday, 9 a.m. - 6 p.m., EST, Saturday

1-800-986-3460

WWW.HOMEDEPOT.COM/HOMEDECORATORS

Retain this manual for future use.