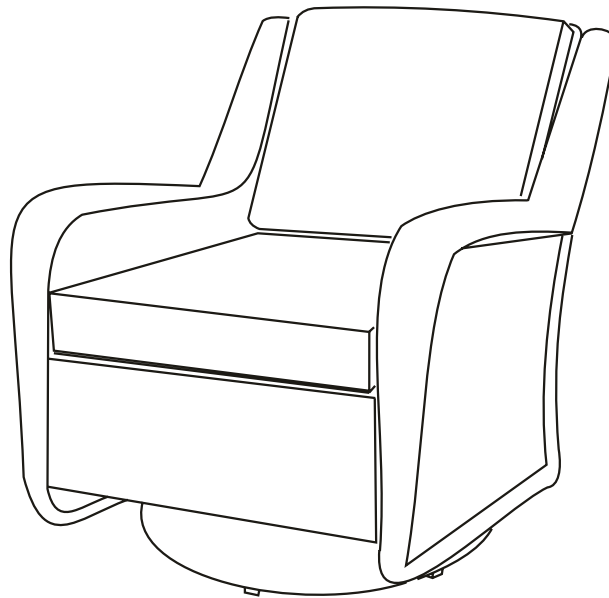


USE AND CARE GUIDE

CAMBRIDGE PATIO SWIVEL ROCKER WITH CUSHION



Before you begin



3D-GUIDED INTERACTIVE ASSEMBLY
INSTRUCTIONS CAN BE FOUND IN BILT®
DOWNLOAD THE **FREE APP**



Questions, problems, missing parts? Before returning to the store,
call Hampton Bay Customer Service
8 a.m. - 7 p.m., EST, Monday – Friday, 9 a.m. – 6 p.m., EST, Saturday

1-855-HD-HAMPTON

HAMPTONBAY.COM

THANK YOU

We appreciate the trust and confidence you have placed in Hampton Bay through the purchase of this Swivel rocker. We strive to continually create quality products designed to enhance your home. Visit us online to see our full line of products available for your home improvement needs. Thank you for choosing Hampton Bay!

Table of Contents

Table of Contents	2	Pre-Assembly	3
Safety Information	2	Hardware Included	3
What is covered	3	Package Contents	4
What is not covered	3	Assembly	5,6
Warranty	3	Cleaning and Maintenance	7
		Service Parts	8

Important Safety Instructions

READ ALL INSTRUCTIONS BEFORE USE

To reduce the risk of injury to persons:

1. Close supervision is necessary when this furnishing is used by or near children, or disabled persons, if applicable.
2. Use this furnishing only for its intended use as described in these instructions. Do not use attachments not recommended by the manufacturer.

SET UP YOUR FURNITURE PROPERLY

1. Ensure that all parts are assembled properly and fully tightened as per the instructions.
2. When placing in the desired location, ensure that all legs are resting on the same surface.

EXAMINE YOUR FURNITURE

Examine occasionally to ensure that there are no loose parts. If loose parts are found, they must be re-tightened fully before additional use.

OBSERVE WEIGHT LIMITS

The weight limits for the following products are listed below:

- | | |
|--|---|
| <input type="checkbox"/> Chair: 300 lbs | <input type="checkbox"/> Sofa: 700 lbs |
| <input type="checkbox"/> Swivel Chair: 300 lbs | <input type="checkbox"/> Rocking Chair: 300 lbs |
| <input type="checkbox"/> Loveseat: 500 lbs | <input type="checkbox"/> Chaise Lounge: 300 lbs |
| <input type="checkbox"/> Ottoman: 150 lbs | <input type="checkbox"/> Dining Table: 100 lbs |
| <input type="checkbox"/> Table: 50 lbs | <input type="checkbox"/> Dining Chair: 200 lbs |



CAUTION: If you overload your furniture, injuries can occur.

Warranty

THREE YEAR FRAME, WEAVE AND FABRIC LIMITED WARRANTY

WHAT IS COVERED

We warrant the frame, weave and fabric to be free of manufacturing defects to the original purchaser for three years. For glass table top we warrant 30 days from the date of purchase.

WHAT IS NOT COVERED

This warranty does not cover commercial use, hardware, acts of nature, fire, freezing and abusive use. In addition, purchased parts are not covered under this warranty.

We reserve the right to make substitutions with similar merchandise, if the model in question is no longer in production.

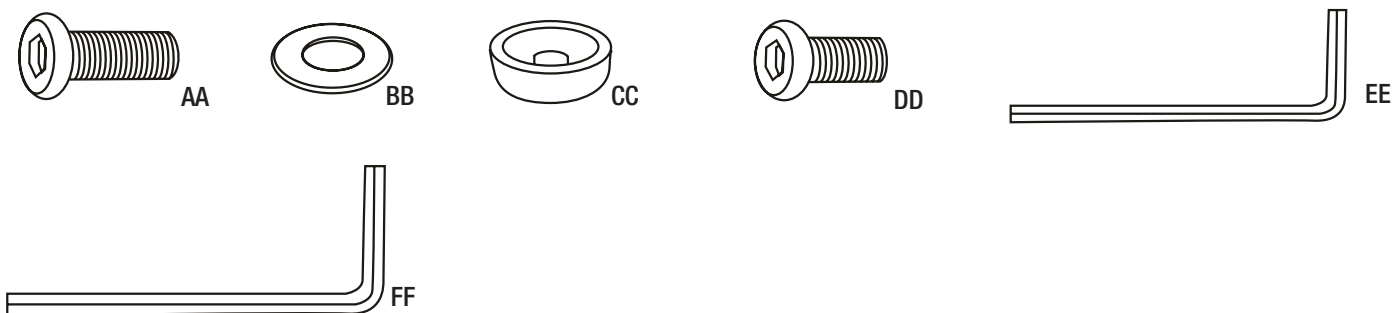
Contact the Customer Service Team at 1-855-HD-HAMPTON or visit www.Hamptonbay.com.

Pre-Assembly

PLANNING ASSEMBLY

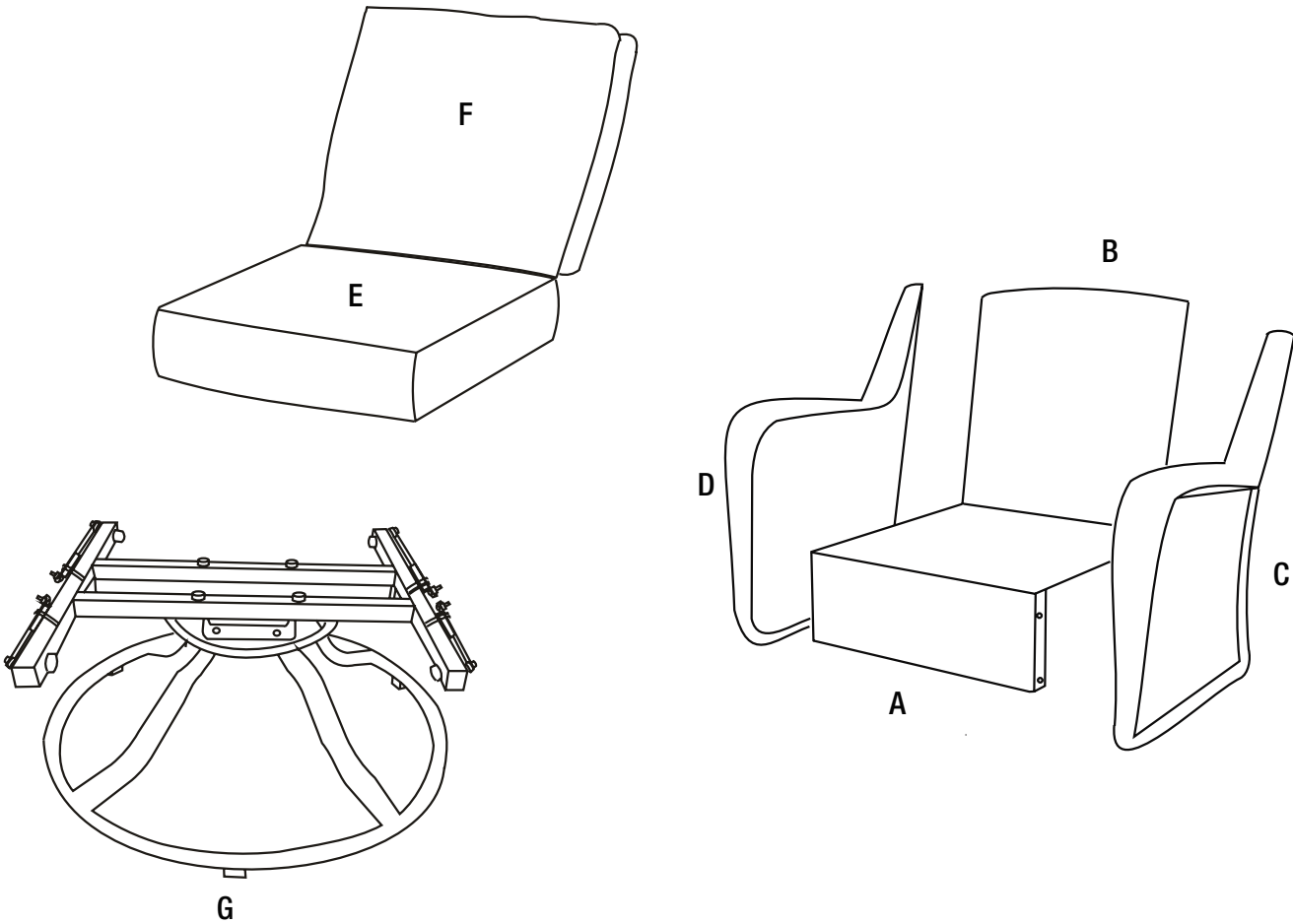
To prevent damage, place all parts on a soft surface during assembly. Remove all protective caps before beginning assembly.

HARDWARE INCLUDED



Part	Description	Quantity
AA	Bolt (1/4x35mm)	8
BB	Washer (6mm)	10
CC	Cap for bolt (6mm)	10
DD	Bolt (1/4x20mm)	2
EE	Hex wrench (4mm)	1
FF	Hex wrench (5mm)	1

PACKAGE CONTENTS

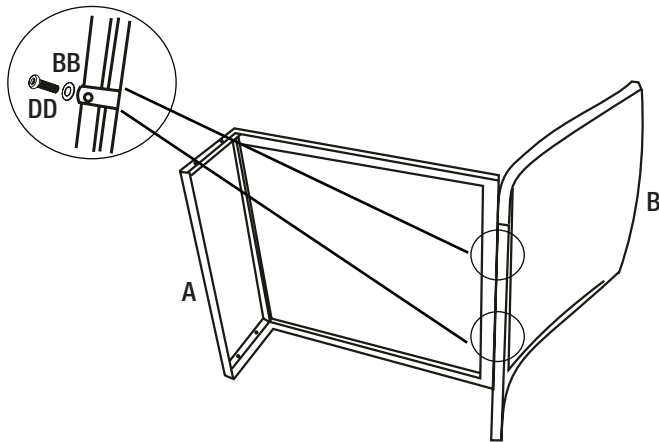


Part	Description	Quantity
A	Seat	1
B	Back	1
C	Left Arm	1
D	Right Arm	1
E	Seat Cushion	1
F	Back Cushion	1
G	Base	1

Assembly

1 Attaching the back

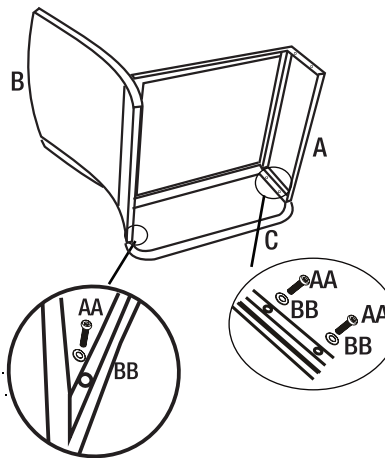
- Attach the back (B) to the seat (A) by aligning two holes on the back (B) with the two holes on the seat (A). Insert bolts(DD) with washers (BB) .
- Tighten half way using the Hex wrench (EE) . Do not tighten completely.



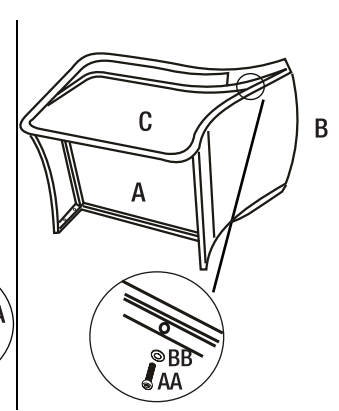
2 Attaching the left arm

- Attach the left arm (C) to seat (A), fasten with bolts (AA) and washers (BB). Tighten half way using the Hex wrench(EE). Do not tighten completely. (Fig 1)
- Attach the back (B) to the left arm (C) by aligning the hole on the back (B) with the hole on the left arm (C).Insert bolts(AA) with washers (BB) and tighten half way using the Hex wrench (EE). Do not tighten completely. (Fig 2)

(Fig 1)



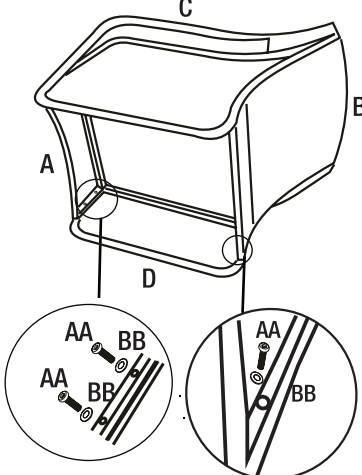
(Fig 2)



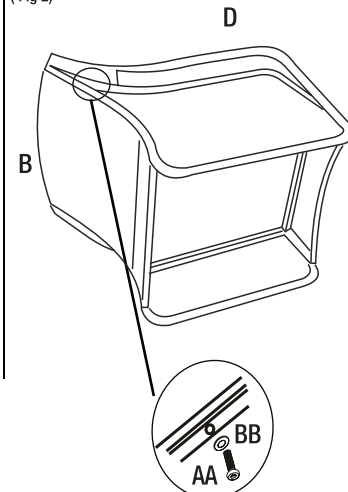
3 Attaching the right arm

- Attach the right arm (D) to seat (A), fasten with bolts (AA) and washers(BB). Tighten half way using the Hex wrench (EE). Do not tighten completely. (Fig 1)
- Attach the back (B) to the right arm (D) insert bolts (AA) with washers (BB) and tighten half way using the Hex wrench (EE). Do not tighten completely. (Fig 2)

(Fig 1)

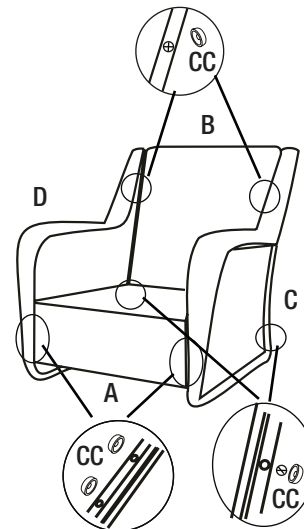


(Fig 2)



4 Attaching the caps

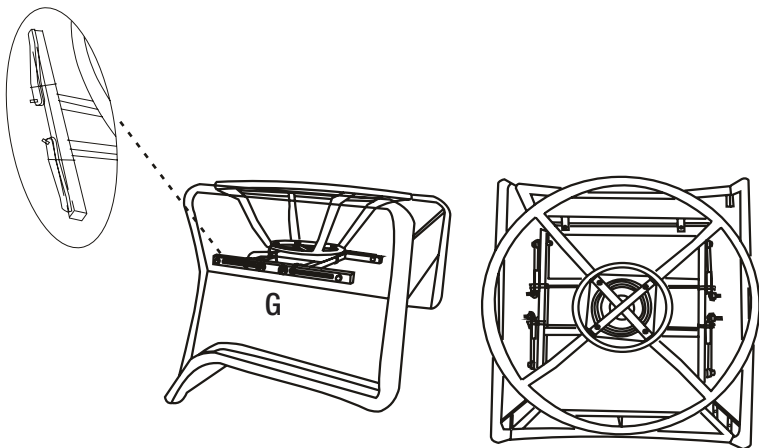
- Place the chair right side up.
- Fully tighten all the bolts (AA) with the Hex wrench (EE) and cover with the bolt caps (CC).



Assembly

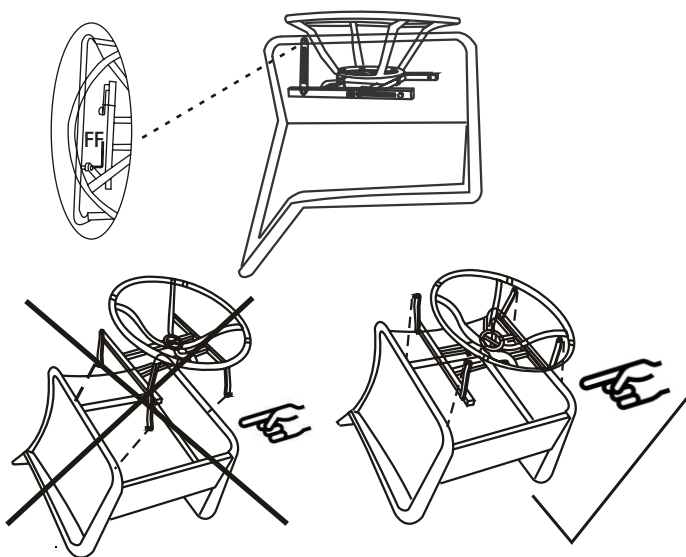
5 Preassembling the base

- Place the chair upside down on the box as illustrated.
- Make sure the chair in horizontal plane.
- Don't cut the string on the swing before assembled.
- Put the base (G) into the surface of the bottom of the seat.



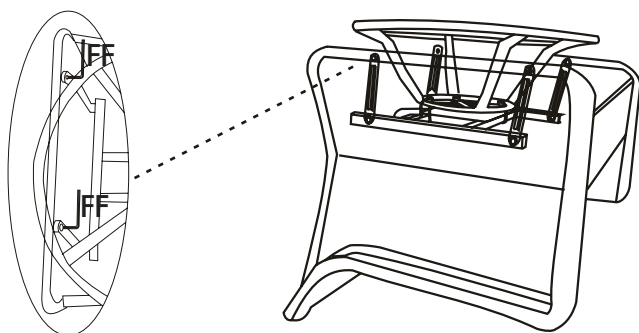
6 Attaching the base

- Attach the base (G) to the right arm (D) and the left arm (C).
- Cut string in one swing of the base (G). Aligning the built-in bolts on the base with the holes on the arms. Half tighten the bolts using the Hex wrench (FF).
- Repeat setup 4 for other 3 three swings. Please remind don't cut the string on the swing before assembled.



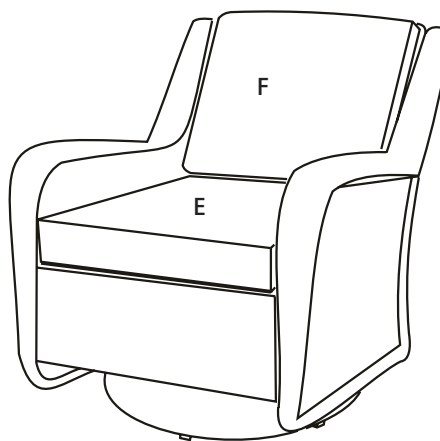
7 Pay attention

- Half tighten each bolt first, fully tighten all the bolts when 4 bolts attached the 2 arms. Two people working on this part is recommended. Firstly, tighten all four bolts half way by aligning in proper position. Tighten completely afterward.



8 Completing the assembly

- Place the motion chair right side up.
- Place the seat cushion (E) and back cushion (F) on the chair. This motion chair is now ready for your enjoyment.



Cleaning and Maintenance

- Before using, wipe with a clean, dry cloth. Do not use bleach or solvents. When not in use, store furniture in a cool, dry place.
- Do not use bleach or solvents on fabrics. When cleaning the table top make sure to use a soft, clean cloth that does not bleed color as well.
- Wash the frame with a mild solution of soap and water, rinse with clean water, and dry thoroughly.
- Cushions may also be cleaned by hand with a mild solution of soap and water. Rinse the cushion cover thoroughly and allow to drip dry. The back cushion and pillow should be spot cleaned with a soft cloth. Do not machine wash or tumble dry, as cushions may shrink. Do not use bleach or solvents on fabrics. Never use cleaners that contain acid or abrasive materials.
- Use and operation: To improve the lifespan of this furniture, cover when not in use and store in a dry place in the off season.

Service Parts

Part	Description	Quantity
A	Seat	1
B	Back	1
C	Left Arm	1
D	Right Arm	1
E	Seat Cushion	1
F	Back Cushion	1
G	Base	1

HAMPTON BAY[®]

Questions, problems, missing parts? Before returning to the store,
call Hampton Bay Customer Service
8 a.m. - 7 p.m., EST, Monday – Friday, 9 a.m. – 6 p.m., EST, Saturday

1-855-HD-HAMPTON

HAMPTONBAY.COM

Retain this manual for future use.