

16460



***Call Us First!***  
***DO NOT RETURN TO STORE.***

For questions on assembly or for general inquiries, you may contact us in the following ways:  
Call customer service: **1-877-743-3400**

## ***AVOID THE WAIT!***

visit us online at  
**help.backyardproducts.com**

- Submit a help request
- Answers to frequently asked questions
- Live chat with an agent



Did you enjoy building your shed?

**JOIN OUR TEAM**  
AND MAKE UP TO \$1,500/WEEK\*

***Call a Recruiter Today! 734-365-7000***



Flexible schedule



No selling,  
just building



Bonus incentives  
available



\*based on number of completed installations

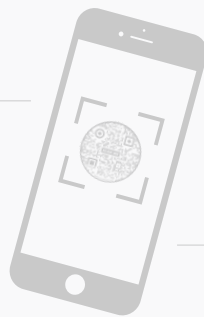
# Win \$500

A new winner is selected every 2 months.

Review your product for the chance to win a **\$500 Visa Gift Card**.



## How to Enter:



Open camera.  
Aim. Tap.



**1**

**Scan**  
QR code above.

**2**

**Click**  
'write a review'

**3**

**Find your product.**  
Tell us what you think.

**4**

**Submit your review.**  
You'll be notified by e-mail if  
you've won the \$500 gift card.

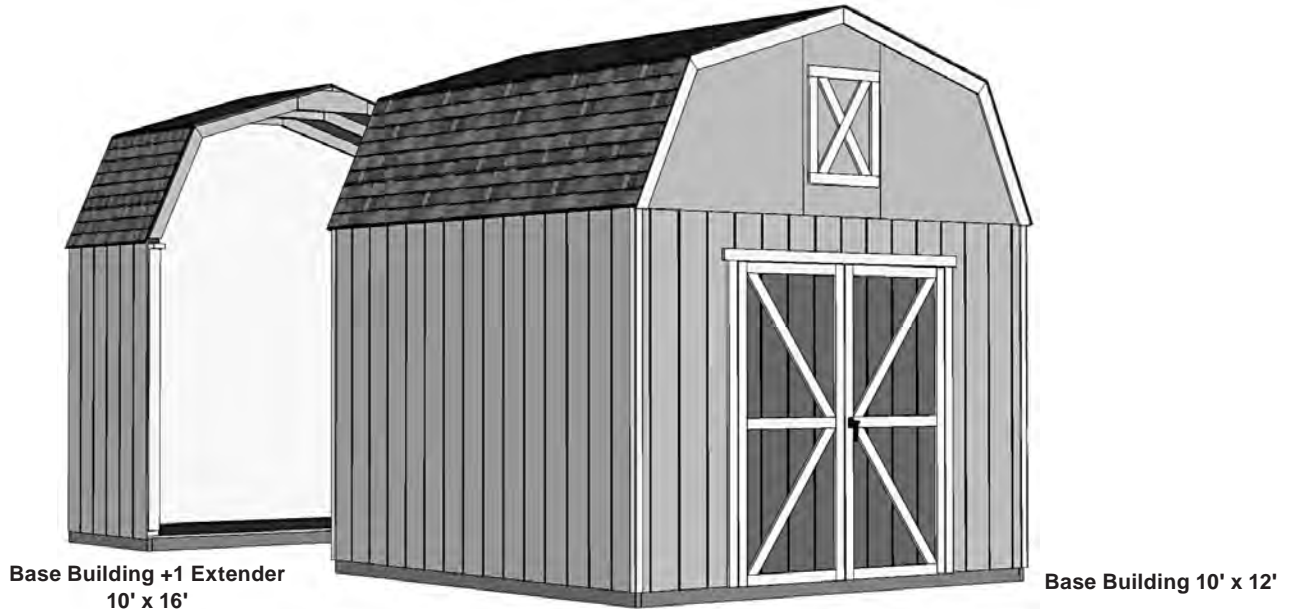
Write a Backyard Products, LLC. product review at [backyardreviews.net](https://backyardreviews.net) for a chance to win a \$500 Visa gift card. No purchase necessary to enter. Must be legal U.S. resident (including DC & Puerto Rico), 18 or older to participate. Taxes on prize are responsibility of winner. Odds of winning depend on the number of eligible reviews received. Void where prohibited. For complete details and official rules, visit <https://backyardreviews.net/sweepstakes-rules>.

# ASSEMBLY MANUAL

## GAMBREL 10' x 12' (304,8 x 365,8 cm)

	BUILDING SIZE	ACTUAL FLOOR SIZE
<i>BASE MODEL</i>	<i>10' x 12' (365,8 x 365,8 cm)</i>	<i>10' x 12' (304,8 x 365,8 cm)</i>
<i>ADD 10' x 4'</i>	<i>10' x 16' (365,8 x 487,7 cm)</i>	<i>10' x 16' (304,8 x 487,7 cm)</i>

**KEEP THIS MANUAL FOR FUTURE REFERENCE**



⚠ **IMPORTANT!** ⚠

READ INSTRUCTIONS THOROUGHLY PRIOR TO BEGINNING ASSEMBLY.

BEFORE YOU BEGIN

**• BUILDING RESTRICTIONS AND APPROVALS**

Be sure to check local building department and homeowners association for specific restrictions and/ or requirements before building.

**• ENGINEERED DRAWINGS**

Contact our Customer Service Team if engineered drawings are needed to pull local permits.

**• SURFACE PREPARATION**

To ensure proper assembly you must build your shed on a level surface.


Recommended methods and materials to level your shed are listed on page 10.

**• CHECK ALL PARTS**

Inventory all parts listed on pages 5-8.

**• ADDITIONAL MATERIALS**


You will need additional materials to complete your shed. See pages 3-4 for required and optional materials and quantities.



\*\*\*CONTACT OUR CUSTOMER SERVICE TEAM  
IF ANY PARTS ARE MISSING OR DAMAGED\*\*\*

- Order form and warranty at back of manual -







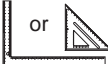

Call: 1-877-743-3400 email: [customerservice@backyardproductsllc.com](mailto:customerservice@backyardproductsllc.com)













# TOOLS

## Required

- Phillips Screwdriver 
- Drill / Driver 
  - 3/8" Drill Bit
  - #2 Philips Drive Bit
- Hammer 
- Level 
- Pencil 
- Tape Measure 
- Square  or 

- Utility Knife 
  - Shingle Blades 
- Caulk Gun 
- Paint Tools 
- Safety Glasses 
- Ladder 

## Optional

- Tool Belt/ Nail Pouch 
- Tin Snips (for drip edge) 
- Chalk Line 
- Nail Gun 
  - gun nails
- Gloves 
- Sawsall 

Safety! Always use approved safety glasses during assembly.

## HELPFUL REMINDER SYMBOLS

Look for these symbols for helpful reminders throughout this manual.



= Assistance Required; two or more people.



= Ensure squareness.



= Important required step or operation.



= Helpful assembly hint.



= Mark part with pencil.



**BEGIN** = Beginning of steps for assembly or installation.



**FINISH** = You have finished the assembly or installation.

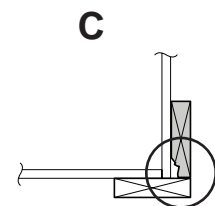
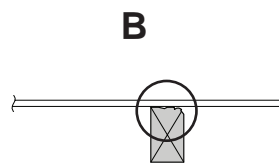
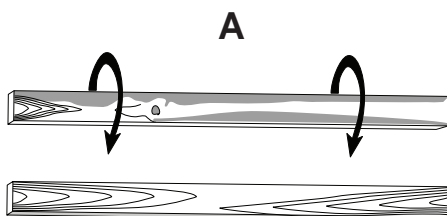


= Level

## ORIENT LUMBER AND TRIM FOR BEST APPEARANCE

Framing lumber is graded for structural strength and not appearance. Exterior trim is graded for one good side.

Always install the material leaving the best edge and best surface visible. Please remember that these blemishes in no way negatively affect the strength or integrity of our product. (See Fig. A, B, C.)



# ADDITIONAL MATERIALS

## FOUNDATION OR FLOOR MATERIALS

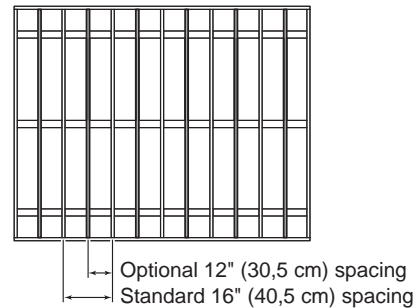
- If you purchased a separate floor kit, use instructions and materials in that kit to construct your floor.
- See the FLOOR LEVELING section on page 10 for recommended methods and suggested materials to properly level your floor, as this will vary depending on your specific site.

## REINFORCED WOOD FLOOR FRAME (OPTIONAL)

IMPORTANT! Depending on your specific use you may want to construct a heavy duty floor frame by adding additional floor joists (shown below as shaded). Below is a list of additional materials (not included):

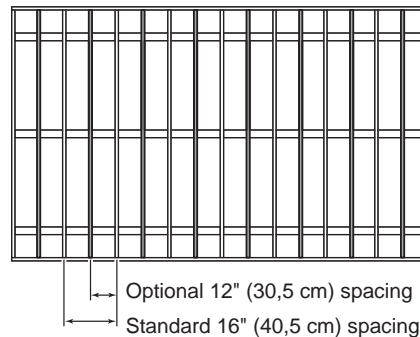
### 10x12'

- x3** 2 x 4 x 10' (5,1 x 10,2 x 304,8 cm) Treated Lumber cut to 2 x 4 x 117" (5,1 x 10,2 x 297,2 cm)
- x12** 3" (7,6 cm) hot-dipped galvanized nails



### 10x16'


- x4** 2 x 4 x 10' (5,1 x 10,2 x 304,8 cm) Treated Lumber cut to 2 x 4 x 117" (5,1 x 10,2 x 297,2 cm)
- x16** 3" (7,6 cm) hot-dipped galvanized nails



# ADDITIONAL MATERIALS

## COMPLETING YOUR SHED

You will need these additional materials:

	10x12'	10x16'	ALL SIZES
<input type="checkbox"/> <b>3-TAB SHINGLES (Bundles)</b> .....	7	9	
<input type="checkbox"/> <b>PAINT FOR TRIM</b> .....1 Quart Use 100% acrylic latex exterior paint.			
<input type="checkbox"/> <b>PAINT FOR SIDING (Gallons)</b> ..... Use 100% acrylic latex exterior paint. (2) coats recommended.	3	3	<input type="checkbox"/> <b>CAULK ...10x12 - 3 Tubes ...10x16 - 4 Tubes</b> Use acrylic latex exterior caulk that is paintable. 
<input type="checkbox"/> <b>1" GALVANIZED ROOFING NAILS (lbs).</b> For shingles.	4	5	

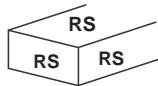
## OPTIONAL MATERIALS

	10x12'	10x16'
<input type="checkbox"/> <b>DRIP EDGE (Feet)</b> .....	40	40
<input type="checkbox"/> <b>#15 ROOFING FELT (Sq ft. to cover)</b> .....	198	263
<input type="checkbox"/> <b>1" GALVANIZED ROOFING NAILS(lbs)</b> .... For roofing felt.	1/4	1/4

**REFER TO THE BACK OF THIS MANUAL AND THE MANUFACTURER'S INSTRUCTIONS FOR INSTALLATION OF SHINGLES, DRIP EDGE AND FELT.**

# PARTS IDENTIFICATION AND SIZES

Double letter part identification is stamped on some parts.



• Check these locations for part stamp.

## WOOD SIZE CONVERSION CHART

Nominal Board Size	Actual Size
2 x 4	1-1/2" x 3-1/2" (3,8 x 8,9 cm)
1 x 4	3/4" x 3-1/2" (1,9 x 8,9 cm)
2 x 3	1-1/2" x 2-1/2" (3,8 x 6,3 cm)
1 x 3	3/4" x 2-1/2" (3,8 x 6,3 cm)

10x12'



## GAMBREL 10' x 12' PARTS LIST

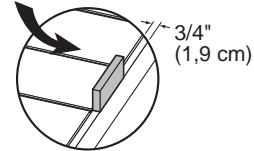
INVENTORY YOUR PARTS before you begin.

We suggest sorting parts by the category they are listed in.

WALL

- x5 **AL** 2 x 4 x 7" (5,1 x 10,2 x 17,8 cm)
- x2 **JBD** 2 x 4 x 20-3/8" (5,1 x 10,2 x 51,8 cm)
- x2 **RL** 2 x 4 x 24" (5,1 x 10,2 x 61 cm)
- x2 **SL** 2 x 4 x 36" (5,1 x 10,2 x 91,4 cm)
- x4 **QL** 2 x 4 x 39" (5,1 x 10,2 x 99,1 cm)
- x2 **HVC** 2 x 4 x 44-3/8" (5,1 x 10,2 x 112,7 cm)
- x2 **SP** 2 x 4 x 48" (5,1 x 10,2 x 121,9 cm)
- x1 7/16" x 3-1/4" x 66-3/4" (1,1 x 8,3 x 170,2 cm) OSB
- x2 **AM** 2 x 4 x 67" (5,1 x 10,2 x 170,2 cm)
- x2 **UM** 2 x 4 x 68" (5,1 x 10,2 x 172,7 cm)
- x4 **YFA** 2 x 4 x 68-1/2" (5,1 x 10,2 x 174 cm)
- x22 **AI** 2 x 4 x 78-1/2" (5,1 x 10,2 x 199,4 cm)
- x2 **TO** 2 x 4 x 84" (5,1 x 10,2 x 213,4 cm)
- x4 **TJ** 2 x 4 x 92-5/8" (5,1 x 10,2 x 235,3 cm)
- x4 **TP** 2 x 4 x 96" (5,1 x 10,2 x 243,9 cm)

- x1 **GAA** 1 x 3 x 5" (2,5 x 7,6 x 12,7 cm)  
Used as a gauge block for 3/4" (1,9 cm) measurement.



RAFTERS

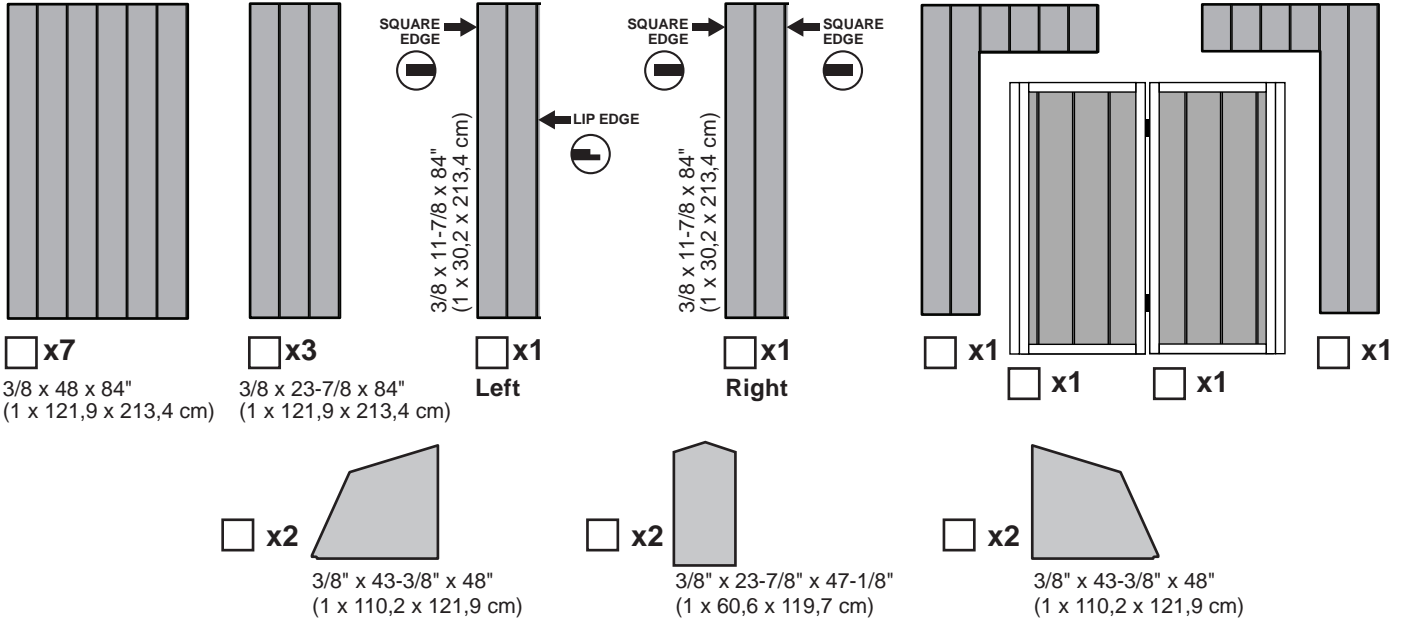
- x12 6 x 24" (15,2 x 61 cm)
- x14 Pre-assembled
- x2 **TP** 2 x 4 x 96" (5,1 x 10,2 x 243,9 cm)

TRIM

- x2 **JGA** 19/32" x 2-1/2" x 12-7/8" (1,6 x 7,6 x 32,7 cm)
- x4 **KX** 19/32" x 2-1/2" x 21-3/4" (1,6 x 7,6 x 55,2 cm)
- x1 **LKA** 19/32" x 2-1/2" x 25-3/4" (1,6 x 7,6 x 65,4 cm)
- x2 **ZJL** 5/8 x 4 x 36" (1,6 x 10 x 91 cm)
- x2 **ZJR** 5/8 x 4 x 36" (1,6 x 10 x 91 cm)
- x2 **ZQL** 5/8 x 4 x 48-5/16 (1,6 x 10 x 123 cm)
- x2 **ZQR** 5/8 x 4 x 48-5/16 (1,6 x 10 x 123 cm)
- x8 3/8" x 1-3/4" x 83-1/4" (1 x 4,5 x 211,5 cm)

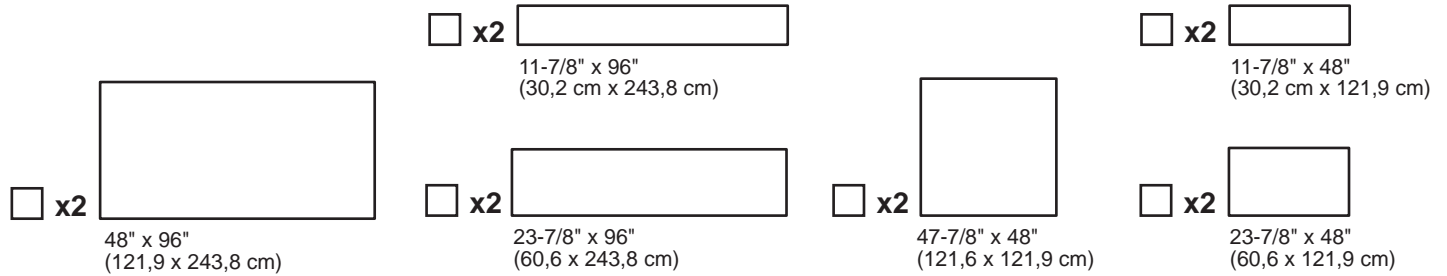
## PANEL & DOORS PARTS LIST

**NOTE:** Panel parts are not stamped with part identification.

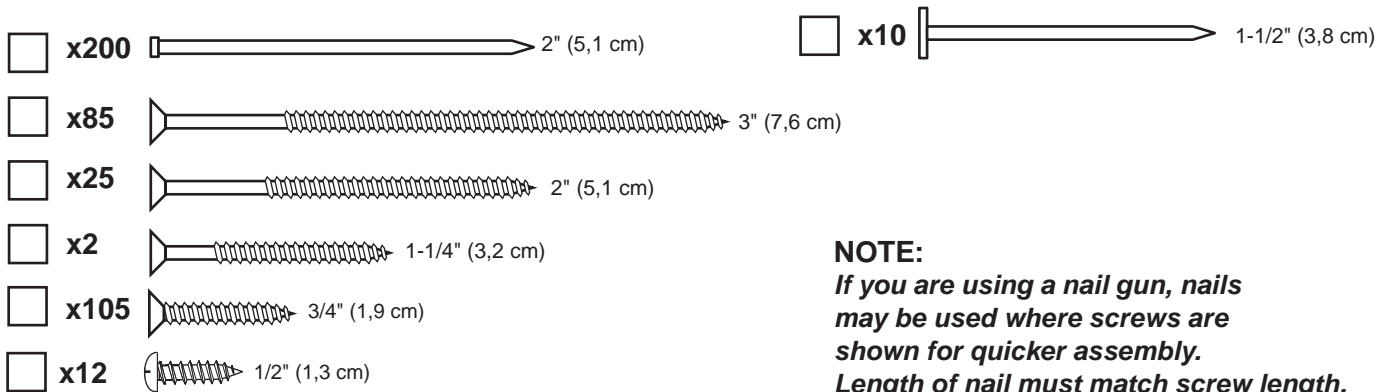


## ROOF PANELS

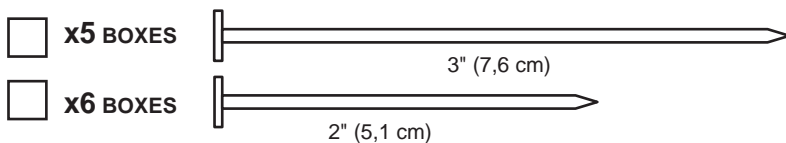
Roof panels are 7/16" (1,1 cm) thick.



## FASTENER/HARDWARE BAG (Shown Actual Size)



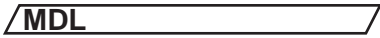
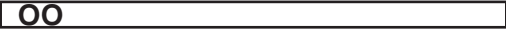



## NAIL BOXES (Not Included)

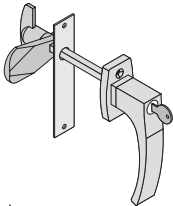


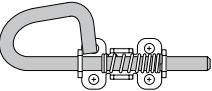

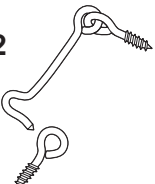




## DOOR TRIM

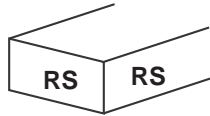
- x2 **AH**  19/32" x 2-1/2" x 26-5/8" (1,5 x 6,3 x 67,7 cm)
- x2 **MDR**  19/32" x 2-1/2" x 39-7/8" (1,5 x 6,3 x 101,3 cm)
- x2 **MDL**  19/32" x 2-1/2" x 39-7/8" (1,5 x 6,3 x 101,3 cm)
- x2 **OO**  69" (175,3 cm) Door Stiffener
- x1 **ZJ**  19/32" x 2-1/2" x 72" (1,5 x 6,3 x 182,9 cm)

## DOOR HARDWARE

- x1 
- x2  1" (2,5 cm)
- x2  1-1/4" (3,2 cm)
- x2 
- x8  3/4" (1,9 cm)
- x2 

# PARTS IDENTIFICATION AND SIZES

Part identification is stamped on some parts.



• Check these locations for part stamp.

WOOD SIZE CONVERSION CHART	
Nominal Board Size	Actual Size
2 x 4	1-1/2" x 3-1/2" (3,8 x 8,9 cm)
1 x 4	3/4" x 3-1/2" (1,9 x 8,9 cm)
2 x 3	1-1/2" x 2-1/2" (3,8 x 6,3 cm)
1 x 3	3/4" x 2-1/2" (3,8 x 6,3 cm)




10x4'



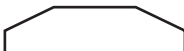
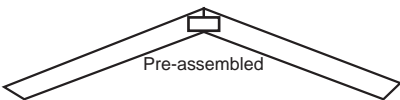
## GAMBREL 10' x 4' EXTENDER KIT PARTS LIST

INVENTORY YOUR PARTS before you begin.  
We suggest sorting parts by the category they are listed in.

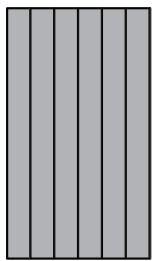
WALL

- x6 **SP**  2 x 4 x 48" (5,1 x 10,2 x 121,9 cm)
- x4 **AI**  2 x 4 x 78-1/2" (5,1 x 10,2 x 199,4 cm)
- x1 **TP**  2 x 4 x 96" (5,1 x 10,2 x 243,9 cm)

RAFTERS

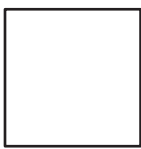

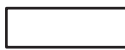
- x4  6" x 24" (15 x 60,1 cm)
- x4  Pre-assembled

WALL PANELS


- x2  3/8 x 48 x 84" (1 x 121,9 x 213,4 cm)

ROOF PANELS

Roof panels are 7/16" (1,1 cm) thick.

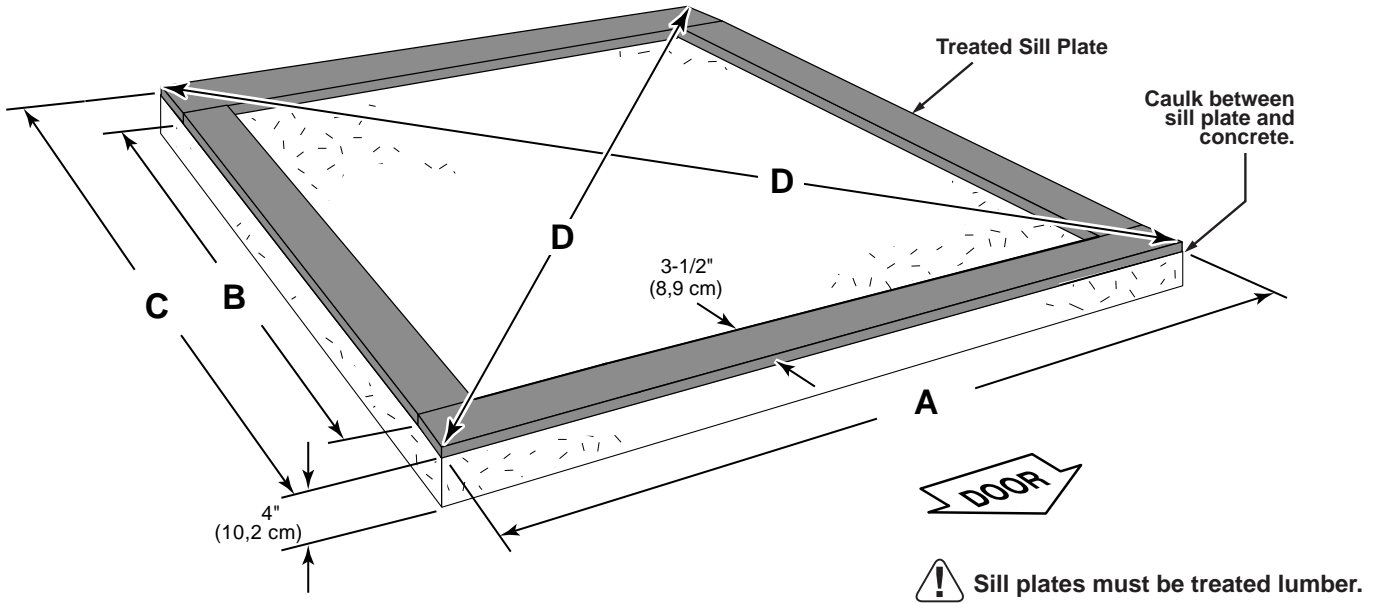
- x2  47-7/8" x 48" (121,6 x 121,9 cm)
- x2  23-7/8" x 47-7/8" (60,5 x 121,9 cm)
- x2  11-7/8" x 48" (30,2 cm x 121,9 cm)

HARDWARE

- x12  3" (7,6 cm)

## CONCRETE FOUNDATION

If you choose to install your kit on a concrete slab refer to the diagram below. Attach the sill plates on the foundation as shown, and continue on to page 14.



Building Size	Actual Floor Size	A	B	C	D
10'x12' (304,8 x 365,8 cm)	10' x 12' (304,8 x 365,8 cm)	120" (304,8 cm)	137" (348 cm)	144" (365,8 cm)	187-7/16" (476,1 cm)

10' x 12' Building Requires:

x2 2 x 4 x 12' (5,1 x 10,2 x 365,8 cm)  x2 2 x 4 x 10' (5,1 x 10,2 x 304,8 cm)

x1 Caulk

Building Size	Actual Floor Size	A	B	C	D
10'x 16' (304,8 x 487,7 cm)	10'x 16' (304,8 x 487,7 cm)	120" (304,8 cm)	185" (469,9 cm)	192" (487,7 cm)	226-7/16" (575,2 cm)

10' x 16' Building Requires:

x2 2 x 4 x 16' (5,1 x 10,2 x 487,7 cm)  x2 2 x 4 x 10' (5,1 x 10,2 x 304,8 cm)

x1 Caulk

**!** Allow new concrete slabs to cure for at least seven (7) days.

- A treated 2x4 (5,1 x 10,2 cm) sill plate is required when installing your shed on concrete.  
Purchase full length treated lumber, or butt shorter pieces end-to-end and seal seams with caulk.
- Use a high quality exterior grade caulk beneath all sill plates.
- Fasten 2x4 (5,1 x 10,2 cm) sill plates to slab using approved concrete anchors (fasteners not included).
- Check local code for concrete foundation requirements.

## OPTIONAL WOOD FRAME FLOOR LEVELING OPTIONS

There are multiple ways to level your floor frame. Our recommended leveling method is shown below.

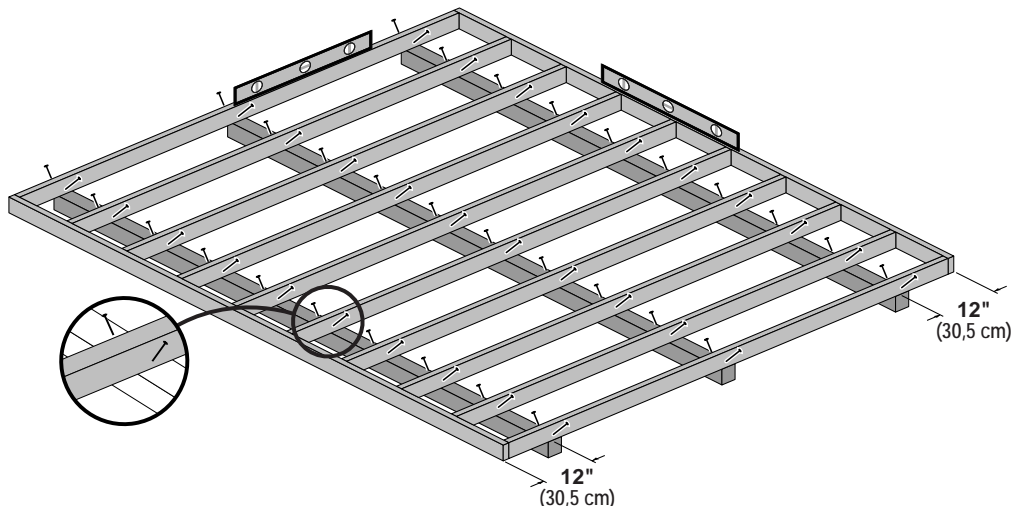
Leveling materials are not included in this kit.

### PREFERRED METHOD - 4x4 TREATED RUNNERS (Typical for 10' x 12' Kit)

Runners are generally 12" (30,5 cm) from ends of floor frame and under seams.

Measurements to centers of 4x4's.

- 3" Screws angled into 4x4.
- (2) at each point frame and 4x4 touch.



**! FLOOR FRAME NOT INCLUDED**

#### MATERIAL REQUIRED:

10' x 12'  x3 4 x 4 x 12' (10,2 x 10,2 x 305 cm) Treated Lumber

10' x 16'  x3 4 x 4 x 16' (10,2 x 10,2 x 487,7 cm) Treated Lumber

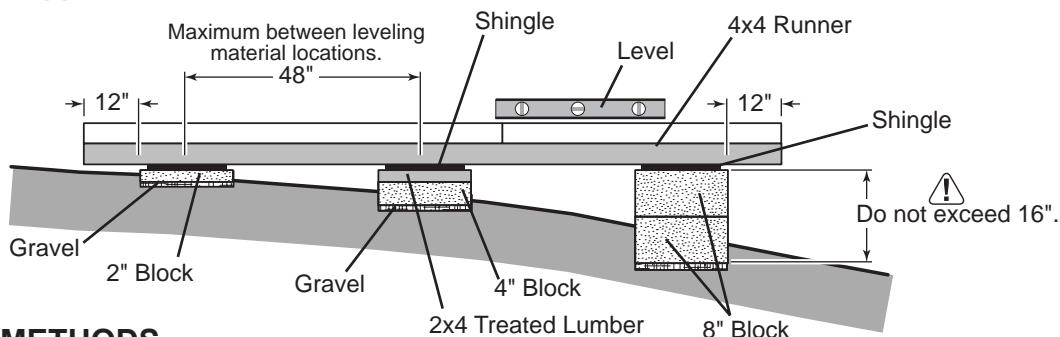
**Fasteners for Frame to 4x4:**  
(3" Screws shown as one option.)  
Minimum 3" screws / exterior grade.

x60  3" (7,6 cm)

x78  3" (7,6 cm)

**! Use only wood treated for ground contact and fasteners approved for use with treated wood.**

**! Always support frame seams.**



#### LEVELING METHODS

- Level under 4x4 runners only.
- Locate leveling material 12" from ends of runners and no more than 48" apart.
- Asphalt shingles should be used between 4x4 runners and blocks or treated lumber. Never use shingles in direct contact with ground.
- For best results and aiding in water drainage use gravel under each concrete block.

#### LEVELING MATERIALS

- Gravel
- Solid Masonry Blocks in 1", 2", 4" or 8" thickness
- 2x4 Treated Lumber
- Asphalt Shingles

**! Leveling higher than 16" not recommended.**

## LEVELING & SQUARING THE FLOOR FRAME (Not Included)

STOP!



### LEVEL AND SQUARE FLOOR FRAME



STOP!

Before attaching floor decking, it is important to level and square the floor frame. A level and square floor frame is required to correctly construct your shed.

See page 10 for the preferred floor leveling method.

✓ **BEGIN** Use a level and ensure the frame is level before applying floor panels.

**1** Check for frame squareness by measuring diagonally across the corners.

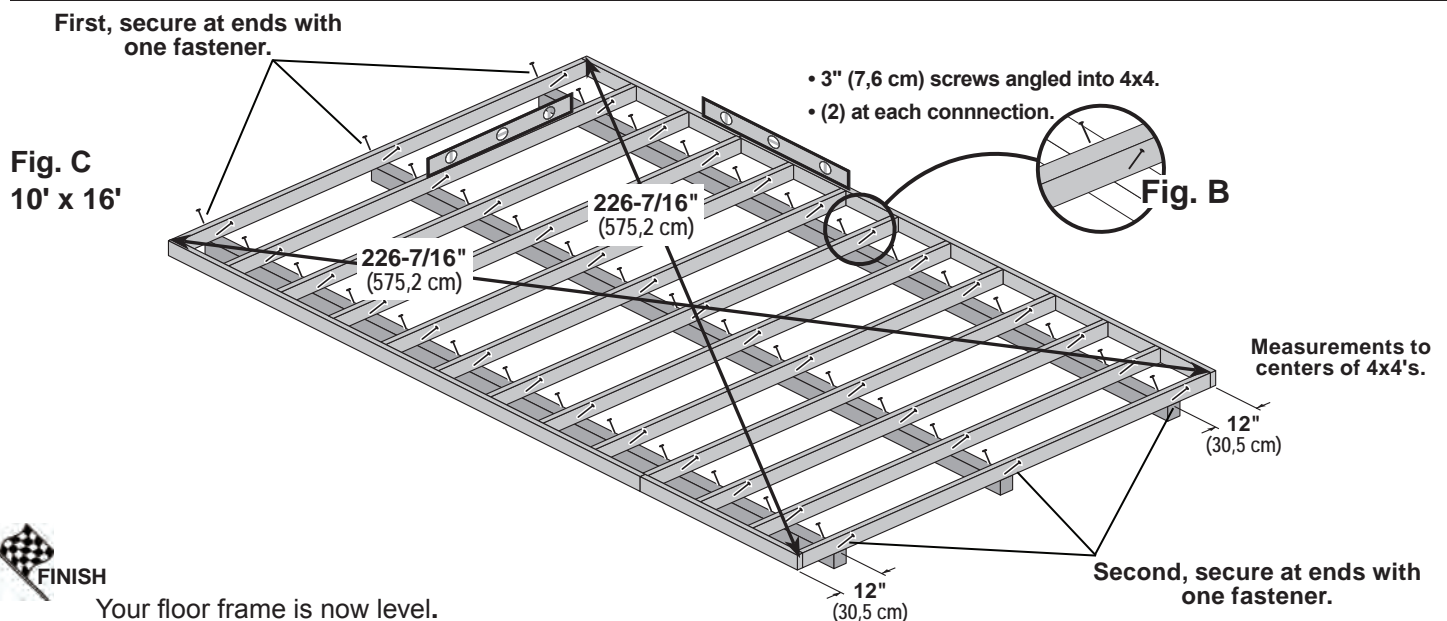
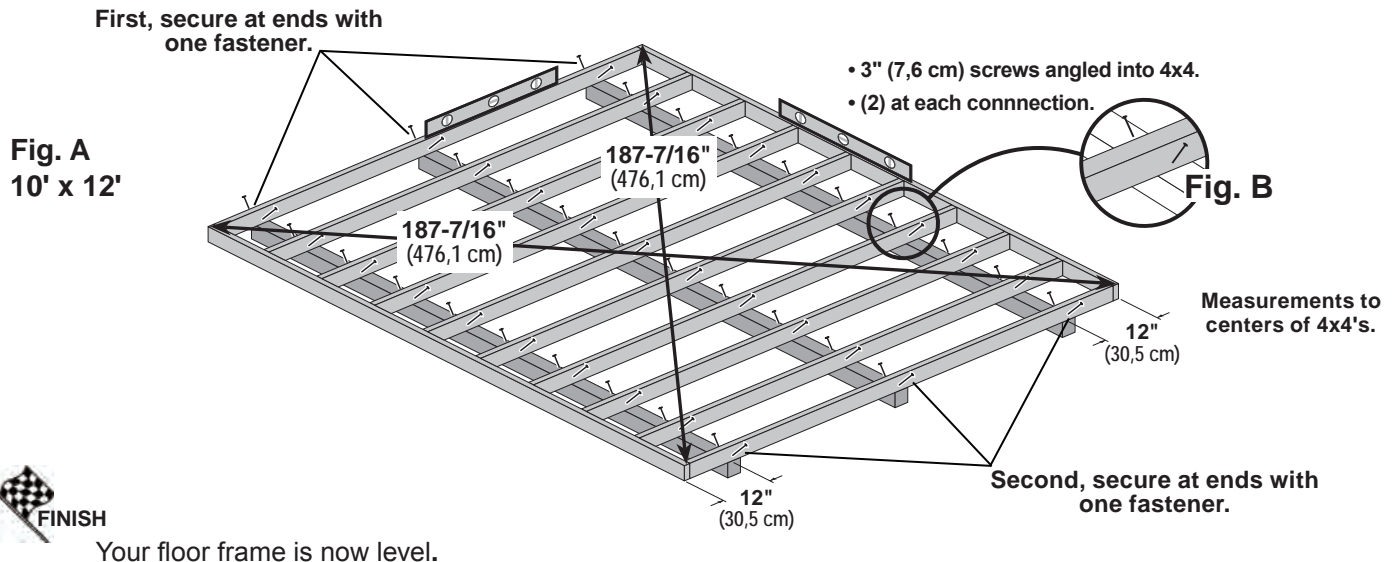
If the measurements are the same, the frame is square.

- The diagonal measurement for 10' x 12' will be approximately **187-7/16"** (476,1 cm) (**Fig. A**).
- The diagonal measurement for 10' x 16' will be approximately **226-7/16"** (575,2 cm) (**Fig. C**).

**2** After the frame is level and square, secure one side of frame to 4x4 runners using one fastener at ends of each runner. At the opposite end of the frame, secure the frame to 4x4 runners with one fastener at the ends of each runner, ensuring that the frame remains square.

Fasten the frame to the 4x4 runners with (2) 3" screws at each connection (**Fig. B**).

*4x4 runners are generally installed 12" (30,5 cm) from ends of floor frame and under any seams.*

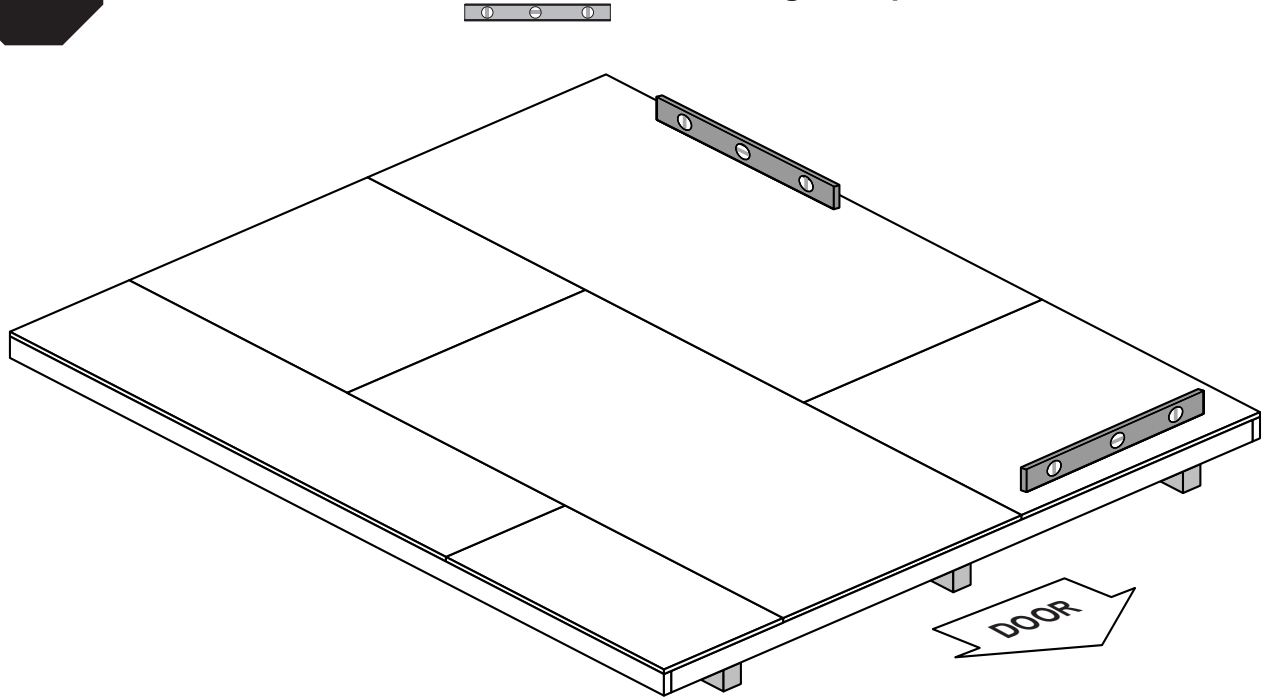


**! IMPORTANT!**

NOTE: 10' x 12' Gambrel shown standard throughout manual

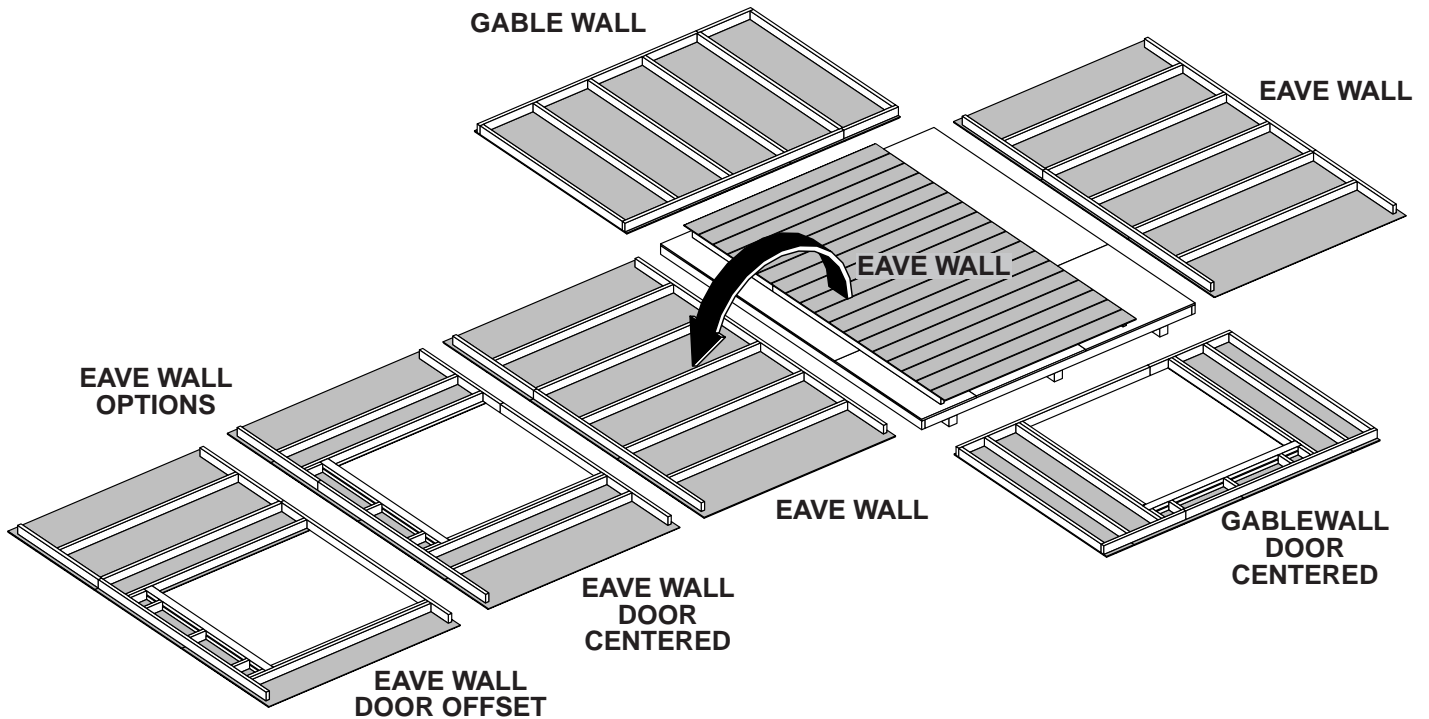


Ensure the floor frame is level after installing floor panels. Re-level if needed.



HINT:

- The floor should be used as a stable work surface for wall construction.
- Organize your assembly procedure during the build process to avoid over-handling of the walls.



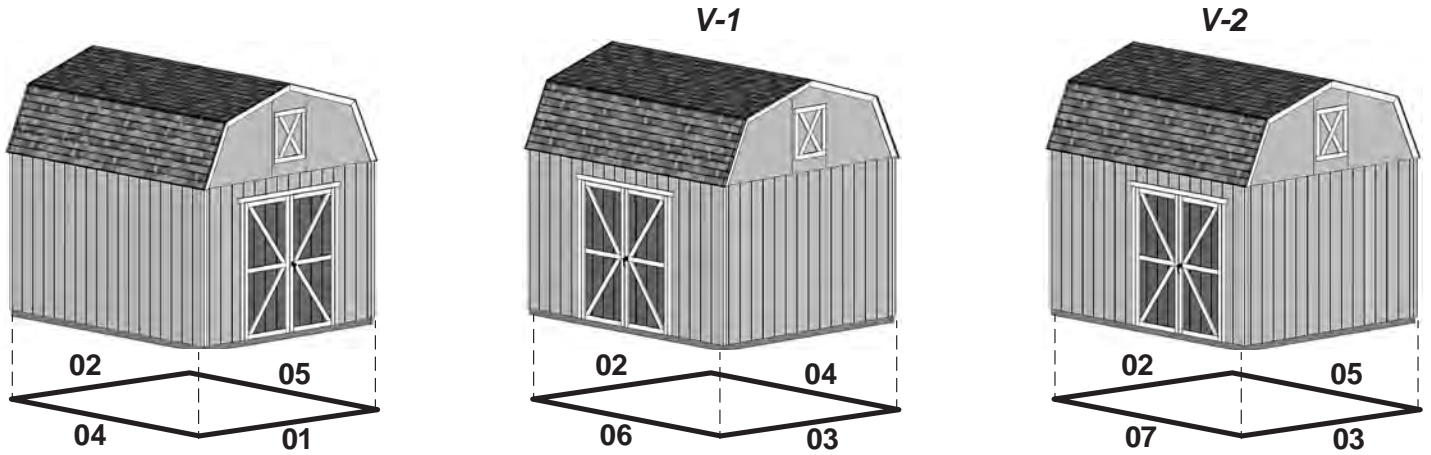


(This page intentionally left blank.)

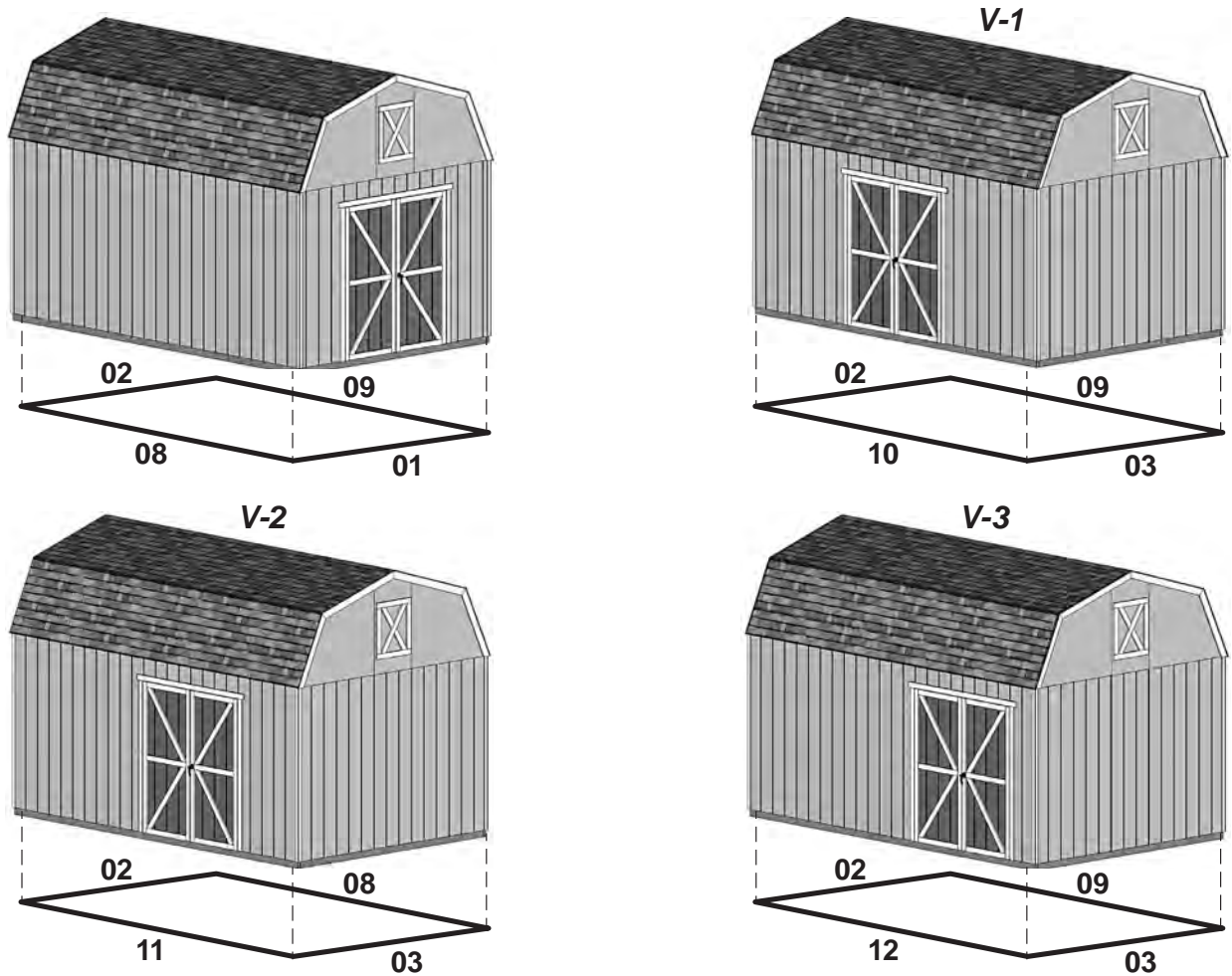
## WALL CONFIGURATION GUIDE

*Create your own style of shed. Choose your door location.  
Compare this guide with the wall index to find the corresponding pages.*

### 10' x 12'



### 10' x 16'



HINT:

**Streamline your wall assembly process by cutting out the pages  
for the wall configuration guide and the wall index.**



CUT HERE

## WALL INDEX

**10' x 12'** After assembling the walls for your 10' x 12' shed, go to page 42 for wall installation.



### 10' x 12'

Door is on the 10' wall.

Wall 01: Page 18

Wall 02: Page 20

Wall 04: Page 24

Wall 05: Page 26



### 10' x 12' V-1

Door is on the 12' wall, centered.

Wall 02: Page 20

Wall 03: Page 22

Wall 04: Page 24

Wall 06: Page 28



### 10' x 12' V-2

Door is on the 12' wall, offset.

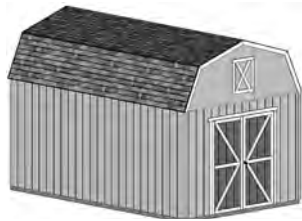
Wall 02: Page 20

Wall 03: Page 22

Wall 05: Page 26

Wall 07: Page 30

**10' x 16'** After assembling the walls for your 10' x 16' shed, go to page 49 for wall installation.



### 10' x 16'

Door is on the 10' wall.

Wall 01: Page 18

Wall 02: Page 20

Wall 08: Page 32

Wall 09: Page 34



### 10' x 16' V-1

Door is on the 16' wall, centered.

Wall 02: Page 20

Wall 03: Page 22

Wall 09: Page 34

Wall 10: Page 36



### 10' x 16' V-2

Door is on the 16' wall, offset.

Wall 02: Page 20

Wall 03: Page 22

Wall 08: Page 32

Wall 11: Page 38



### 10' x 16' V-3

Door is on the 16' wall, extra-offset.

Wall 02: Page 20

Wall 03: Page 22

Wall 09: Page 34

Wall 12: Page 40

# DOOR HEADER

**STOP!**

**Assemble this door header before building any walls!**

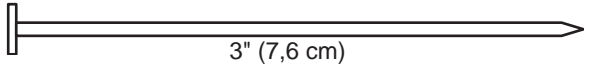
Any wall with a door will require this assembly.

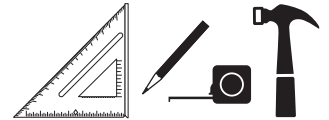
**STOP!**

## PARTS REQUIRED:

x2 **AM**  
2 x 4 x 67" (5,1 x 10,2 x 170,2 cm)

x1  
7/16 x 3-1/4 x 66-3/4" (1,1 x 8,3 x 170,2 cm) **OSB**

x18  3" (7,6 cm)

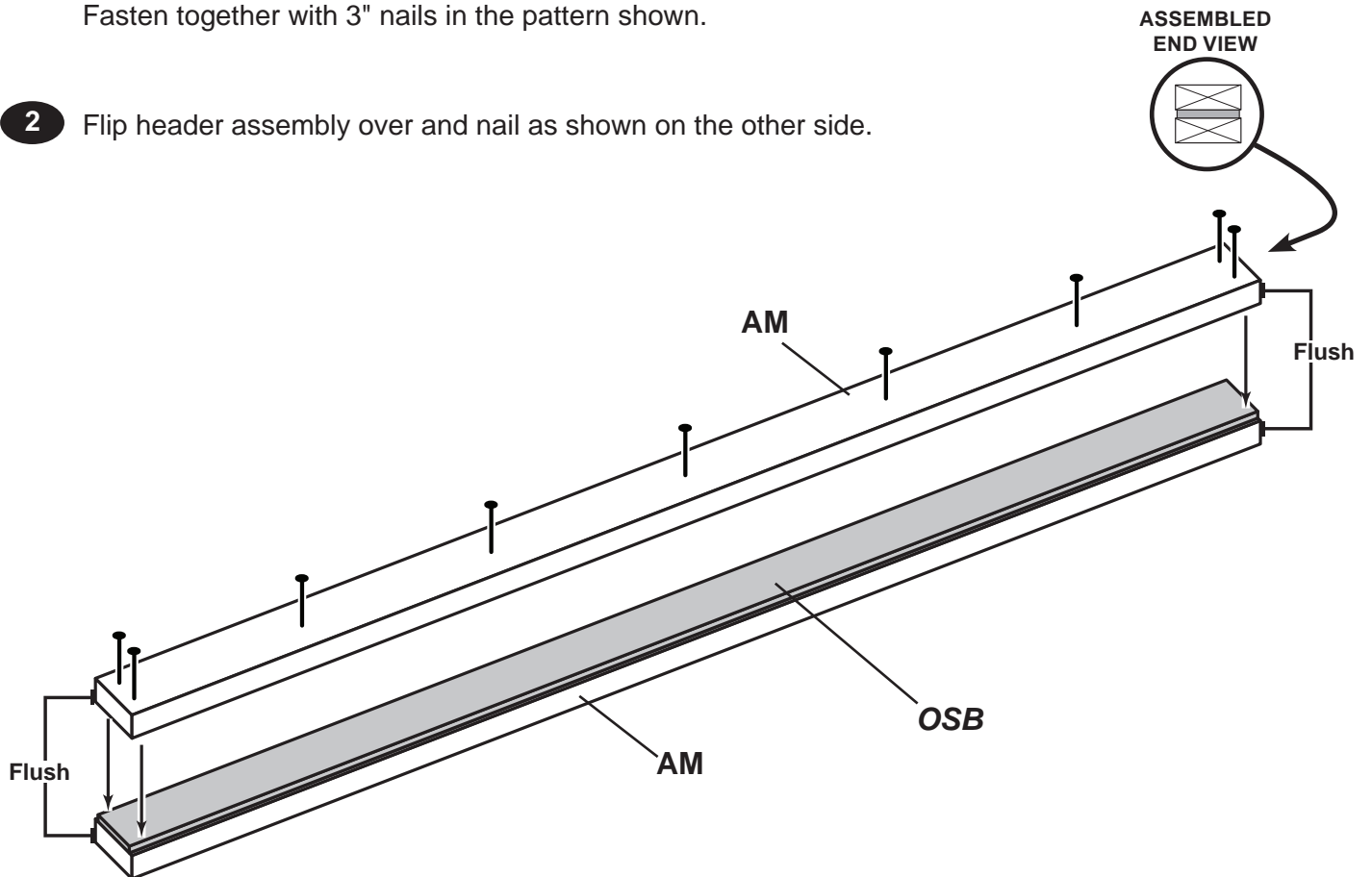


**BEGIN**

- 1 Place (1) **AM** and **OSB** end-to-end on flat surface, flush in middle.  
Center **OSB** on top of **AM**.

Fasten together with 3" nails in the pattern shown.

- 2 Flip header assembly over and nail as shown on the other side.

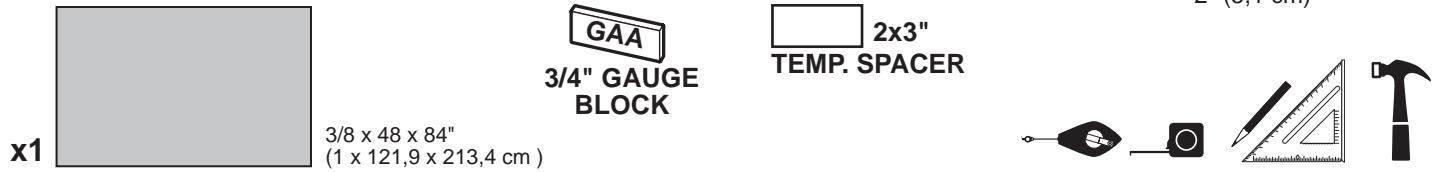


**FINISH**

Your door header is now assembled.

# WALL PANEL INSTALLATION HINTS & EXAMPLES

## PARTS REQUIRED:



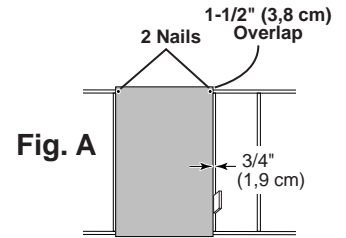
**Ensure your wall is square by installing one panel and squaring frame.**

**Install all wall panels with the primed side facing up.**

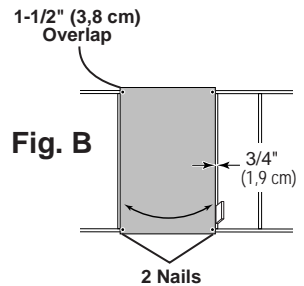
✓ **BEGIN**

- Place a **48" X 84"** panel on the wall frame, as shown.  
 Locate the panel 1-1/2" above the top plate.  
 Use a 2 x 3 as a gauge block for the 1-1/2" top overhang measurement.  
 Use the gauge block to mark the 3/4" side measurement on the wall stud.  
 Secure panel with (2) 2" nails in the corners (**Fig. A**).

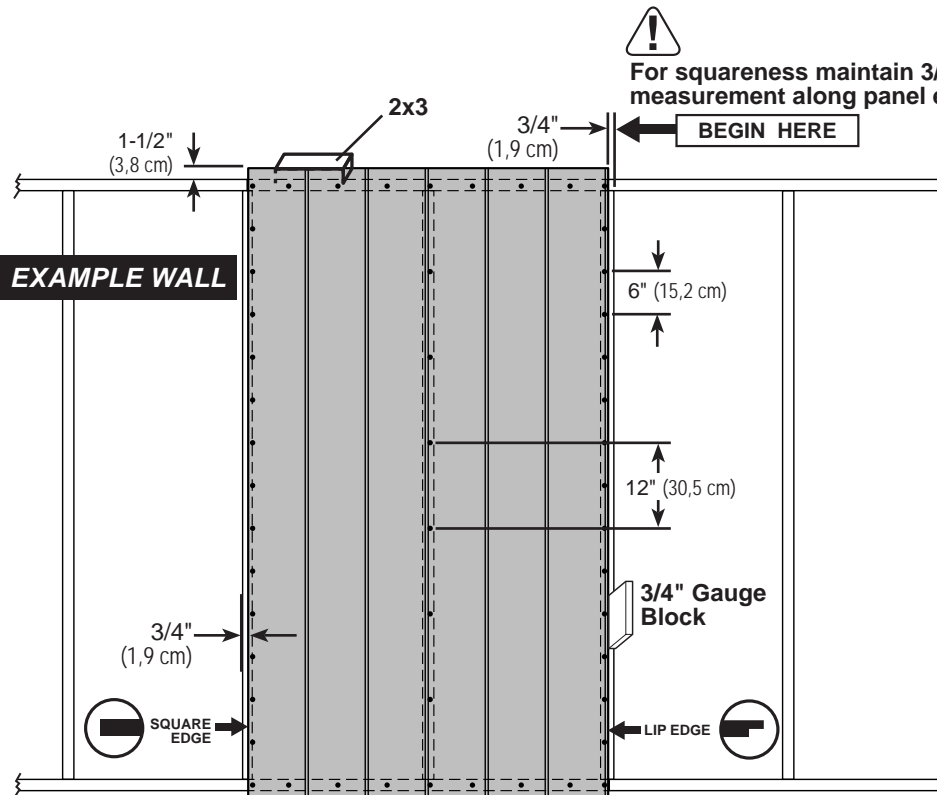
- Move to the opposite end. Using the long edge of the panel as a lever, move the panel side-to-side until you have a 3/4" measurement on the wall stud.  
 Secure corner with (2) 2" nails (**Fig. B**).  
 Secure panel with 2" nails spaced 6" apart on edges and 12" apart inside panel.  
**Note the panel lip-edge/square edge orientation.**



**Fig. A**



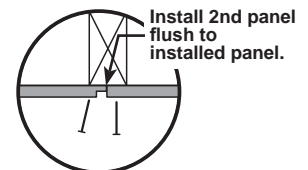
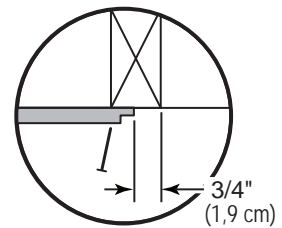
**Fig. B**



**For squareness maintain 3/4" and 1-1/2" measurement along panel edge.**

**BEGIN HERE**

## HINTS

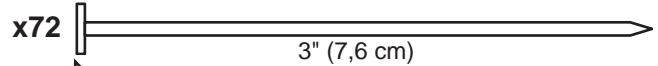


Refer to the **WALL CONFIGURATION GUIDE** and **WALL INDEX** at this time.

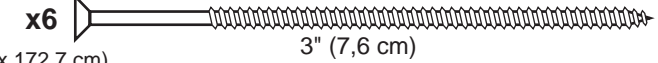
## 10' WALL - 01

### PARTS REQUIRED: x5 **AL**

2 x 4 x 7" (5,1 x 10,2 x 17,8 cm)



x2 **SL** 2 x 4 x 36" (5,1 x 10,2 x 91,4 cm)



x2 **UM** 2 x 4 x 68" (5,1 x 10,2 x 172,7 cm)

x6 **AI** 2 x 4 x 78-1/2" (5,1 x 10,2 x 199,4 cm)

x2 **TO** 2 x 4 x 84" (5,1 x 10,2 x 213,4 cm)

x1 **Pre Assembled Header**

x1



### ✓ BEGIN

**1** Orient parts on edge on floor as shown. Measure and mark from end of boards.

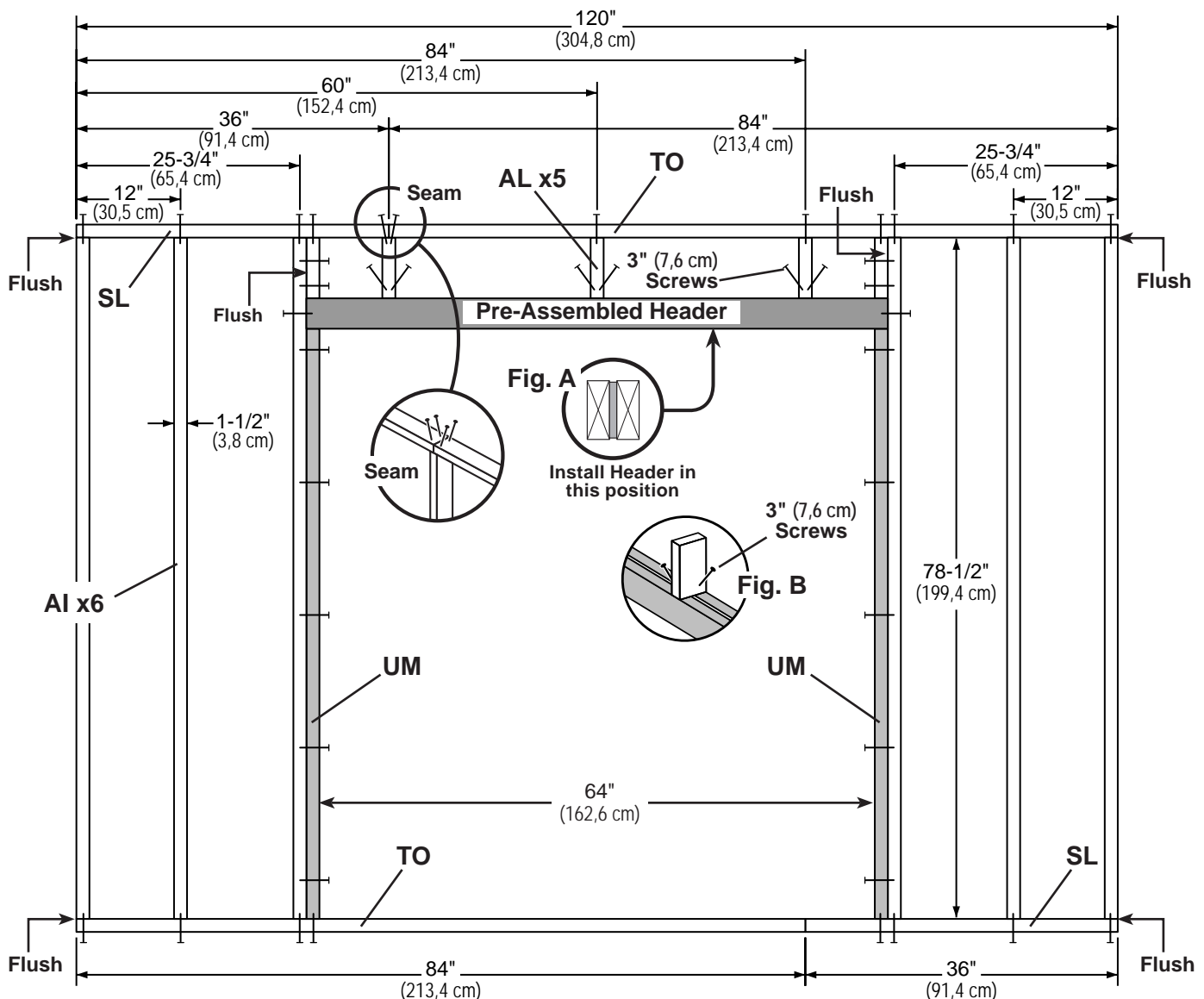
Orient **Pre Assembled Header** on flat side (**Fig. A**).

Secure with (2) 3" nails at each connection and (4) 3" nails at seams.

**2** Fasten (3) middle parts **AL** to **Pre Assembled Header** with (2) 3" screws (**Fig. B**).

Fasten (2) end **AL** to studs **AI** with (4) 3" nails at each side.

Secure parts **AL** to top plates with (2) 3" nails at each connection and (4) 3" nails at seam.





# 10' WALL 01

## PARTS REQUIRED:

x2 11-7/8" x 84" (30,2 x 213,4 cm)

x1 x1

x2 3" (7,6 cm)

x150 2" (5,1 cm)

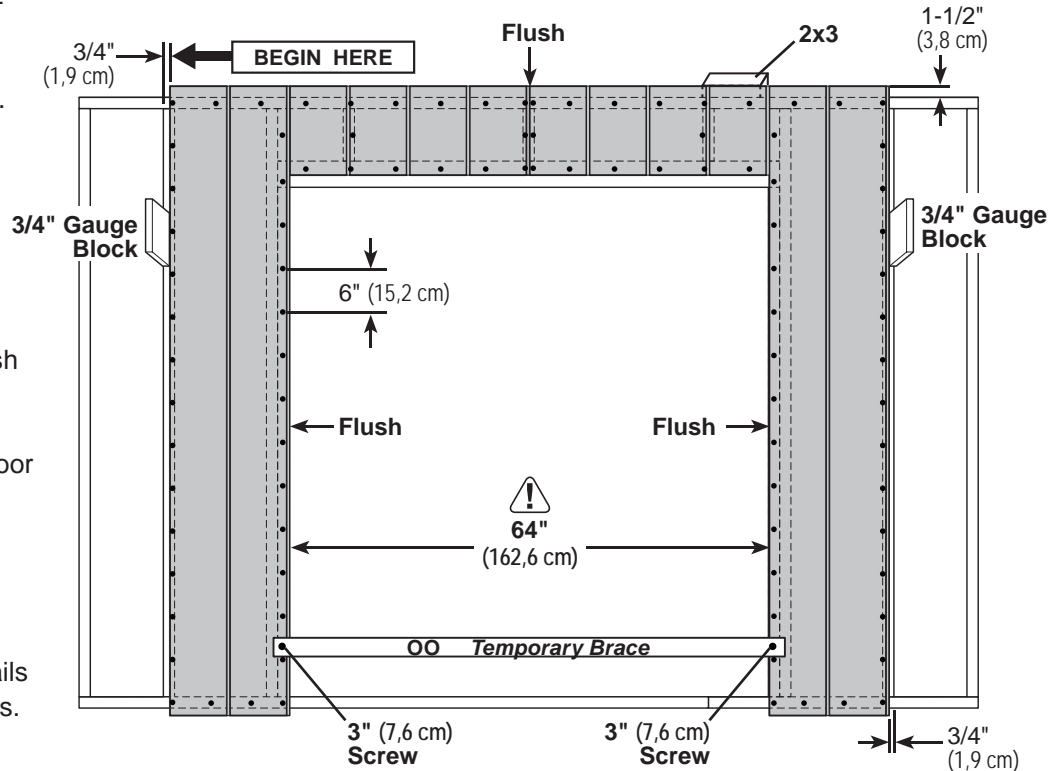
x1 OO Temporary Brace  
69" (75,3 cm) Door Stiffener



**3** Install the left panel 1-1/2" from the top plate. Use a 2x3 spacer for consistent measurement. Secure panel with 2" nails spaced 6" apart on edges.

**4** Install the right panel flush to installed panel, as shown. Ensure 64" (162,8 cm) door measurement. Use part OO as a temporary brace. Secure with (2) 3" screws.

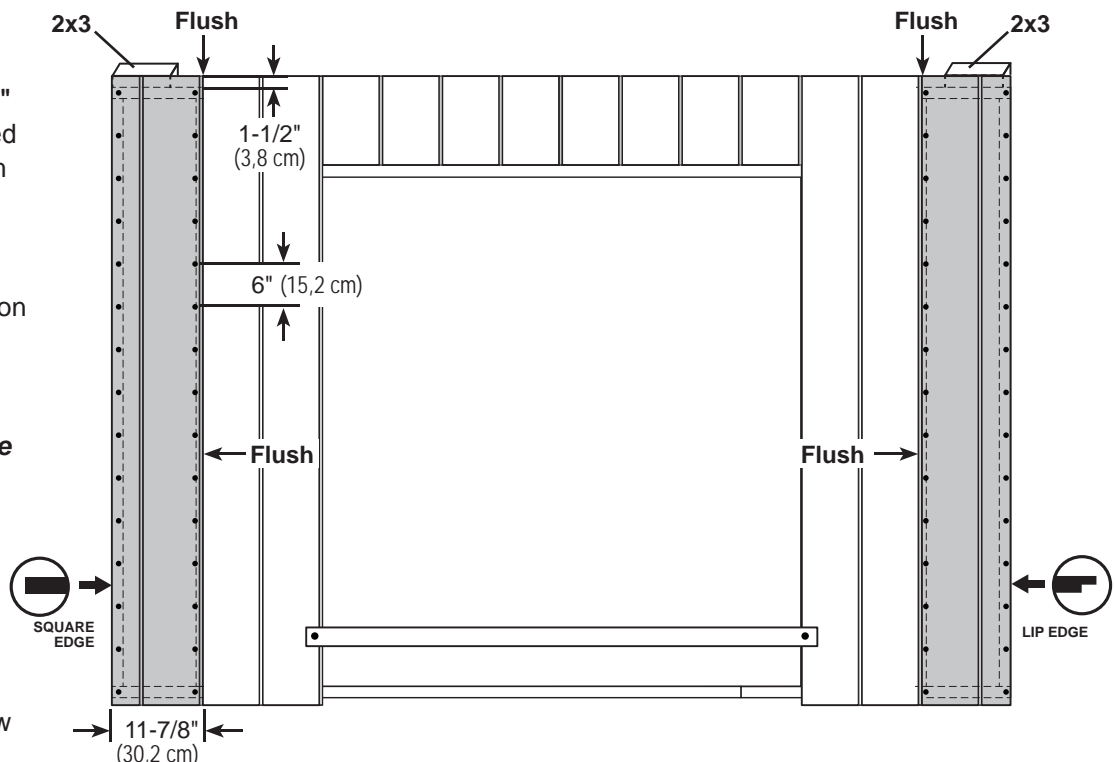
Secure panels with 2" nails spaced 6" apart on edges.



**5** Install (2) 11-7/8" x 84" panels flush to installed panels and 1-1/2" from the top plate.

Secure panels with 2" nails spaced 6" apart on edges.

**Note the panel lip-edge/square edge orientation.**



Your 10' WALL 01 is now assembled. Carefully flip the wall over.

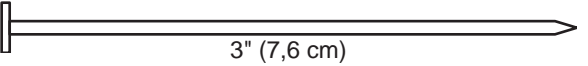
# 10' WALL 02

## PARTS REQUIRED:

x2 **RL**  
2 x 4 x 24" (5,1 x 10,2 x 61 cm)

x6 **AI**  
2 x 4 x 78-1/2" (5,1 x 10,2 x 199,4 cm)

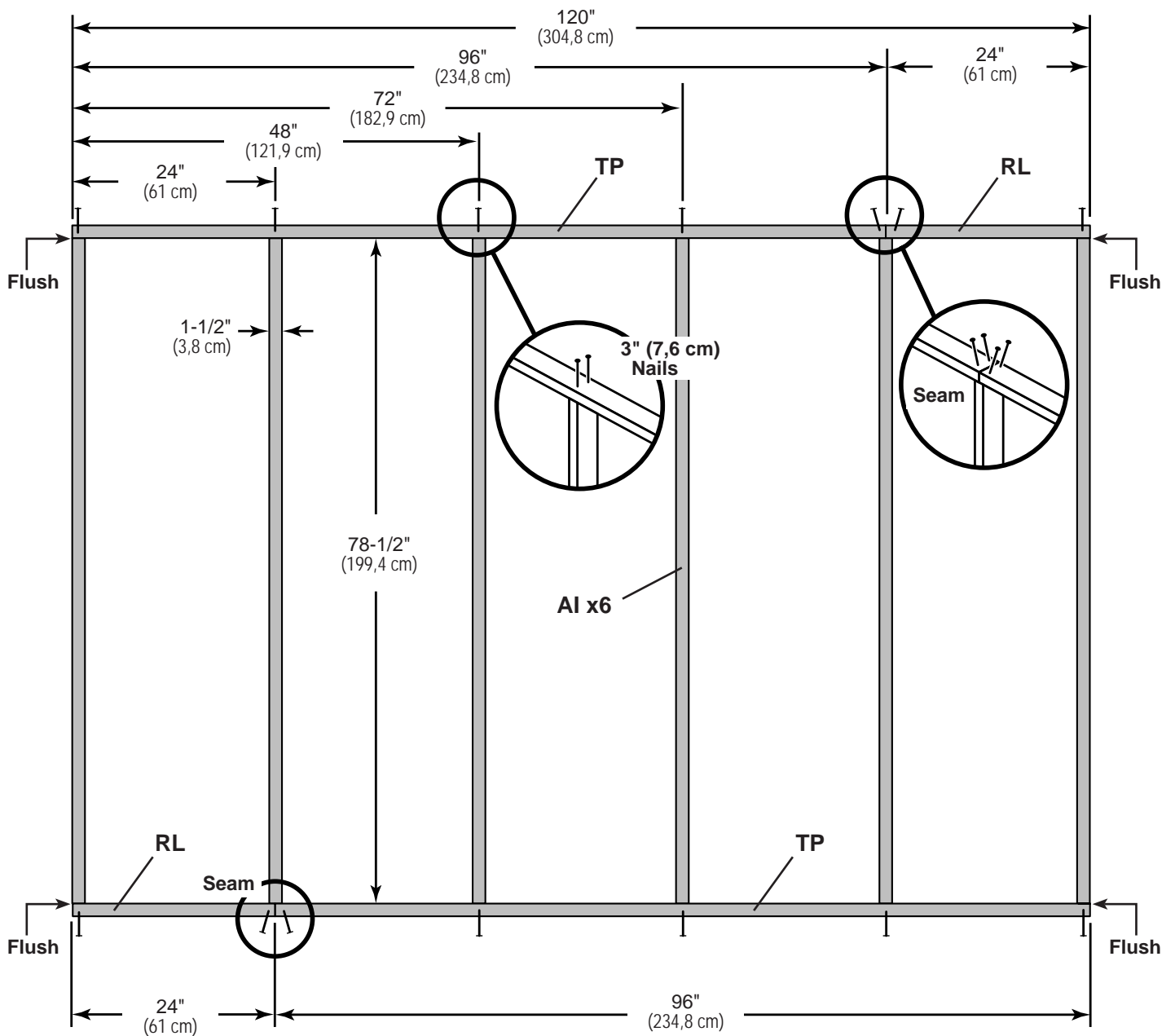
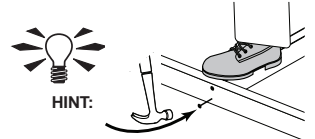
x2 **TP**  
2 x 4 x 96" (5,1 x 10,2 x 243,8 cm)

x28  3" (7,6 cm)



### ✓ BEGIN

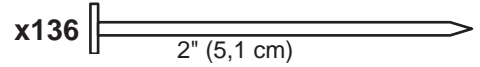
- 1 Orient parts on edge on floor as shown. Measure and mark from end of boards.  
Secure with (2) 3" nails at each connection and (4) 3" nails at seams.



# 10' WALL 02

## PARTS REQUIRED:

- x1  23-7/8" x 84"  
(60,6 x 213,4 cm)
- x2  48 x 84"  
(121,9 x 213,4 cm)

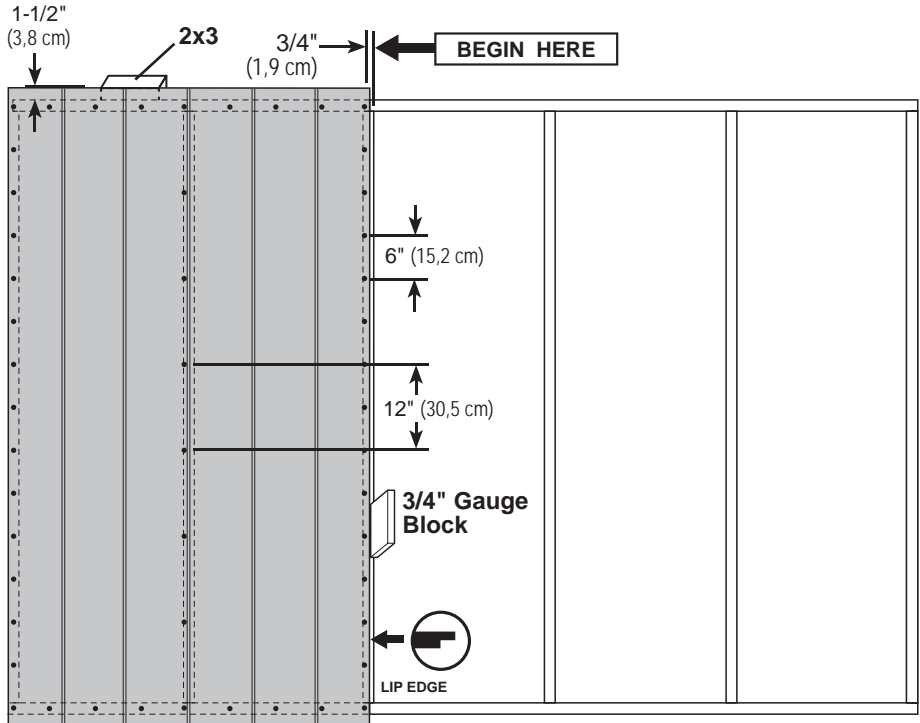


**2**  
Install 48" x 84" panel 1-1/2" from the top plate.

Use a 2x3 spacer for consistent measurement.

Secure panel with 2" nails spaced 6" apart on edges and 12" inside panel.

**Note the panel lip-edge/square edge orientation.**

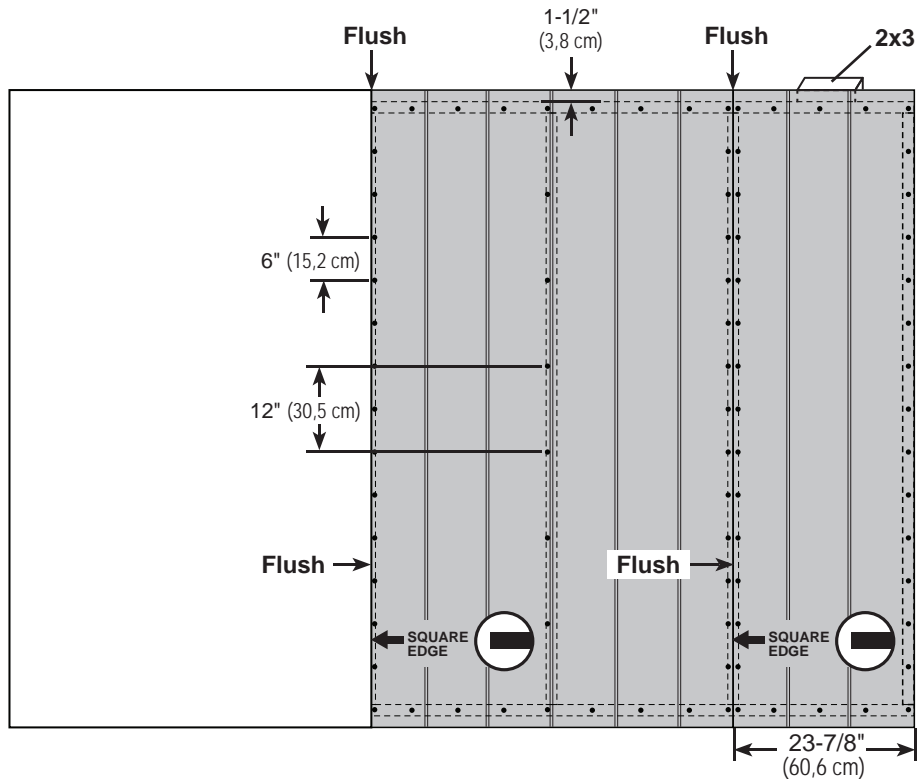


**3**  
Install the 48" x 84" and (2) 23-7/8" x 84" panels flush to installed panels.

Locate panels 1-1/2" from the top plate.

Secure with 2" nails spaced 6" apart on edges and 12" apart inside panel.

**Note the panel lip-edge/square edge orientation.**



Your 10' WALL 02 is now assembled. Carefully flip the wall over.

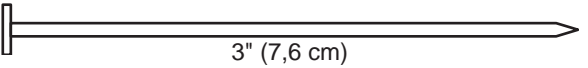
# 10' WALL 03

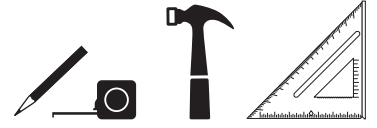
## PARTS REQUIRED:

x2 **SL**  
2 x 4 x 36" (5,1 x 10,2 x 91,4 cm)

x7 **AI**  
2 x 4 x 78-1/2" (5,1 x 10,2 x 199,4 cm)

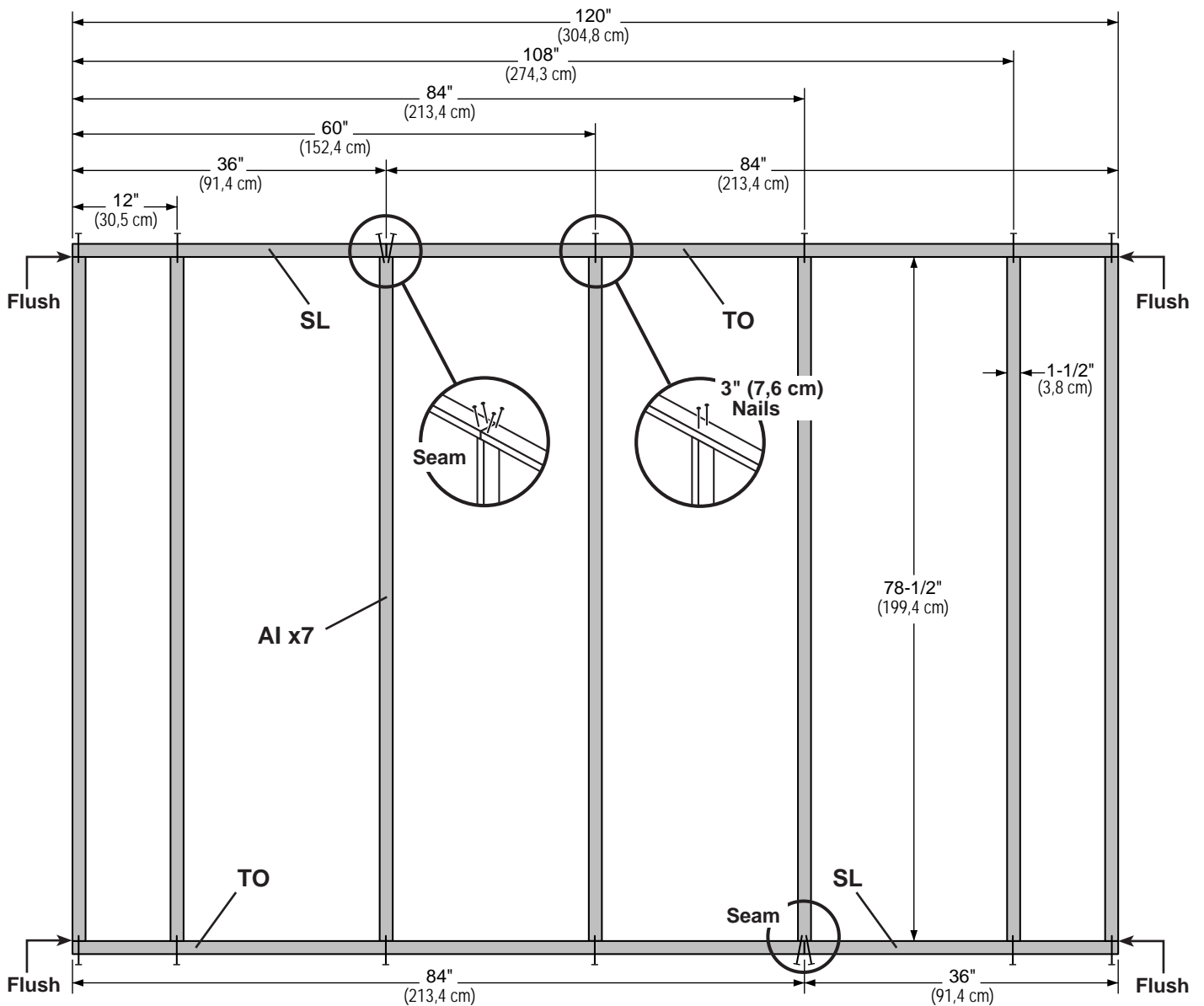
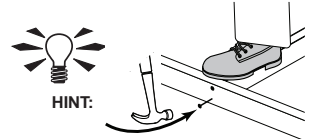
x2 **TO**  
2 x 4 x 84" (5,1 x 10,2 x 213,4 cm)

x32  3" (7,6 cm)



### ✓ BEGIN

- 1 Orient parts on edge on floor as shown. Measure and mark from end of boards.  
Secure with (2) 3" nails at each connection and (4) 3" nails at seams.



# 10' WALL 03

## PARTS REQUIRED:

(x1 Left & x1 Right)  
**x2** 11-7/8" x 84" (30,2 x 213,4 cm)

**x2** 48 x 84"  
 (121,9 x 213,4 cm)

**x164** 2" (5,1 cm)



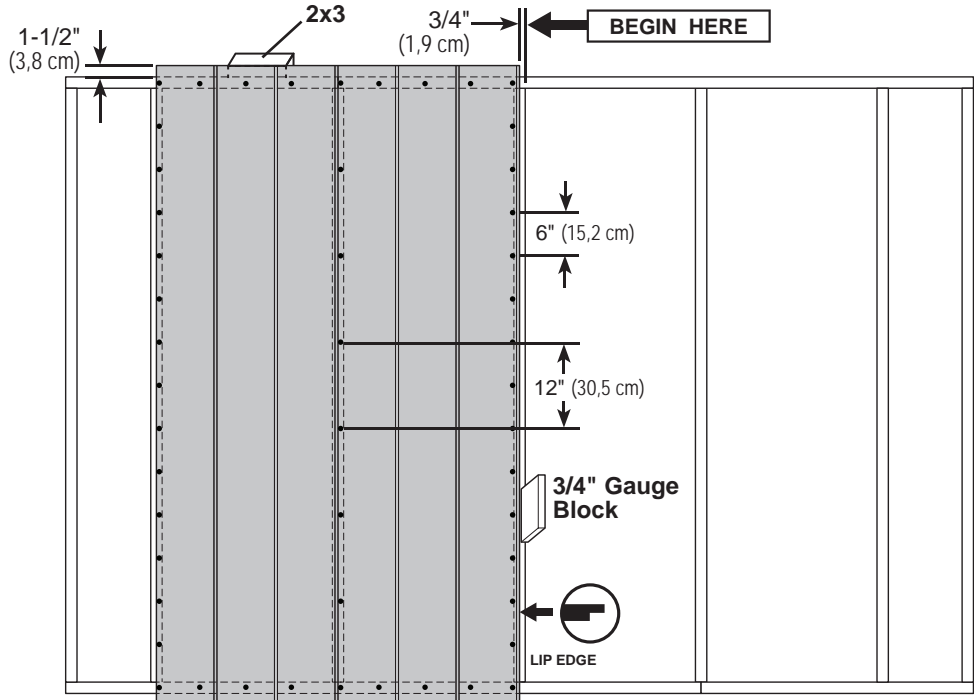
### 2

Install 48" x 84" panel 1-1/2" from the top plate.

Use a 2x3 spacer for consistent measurement.

Secure panel with 2" nails spaced 6" apart on edges and 12" inside panel.

**Note the panel lip-edge/square edge orientation.**



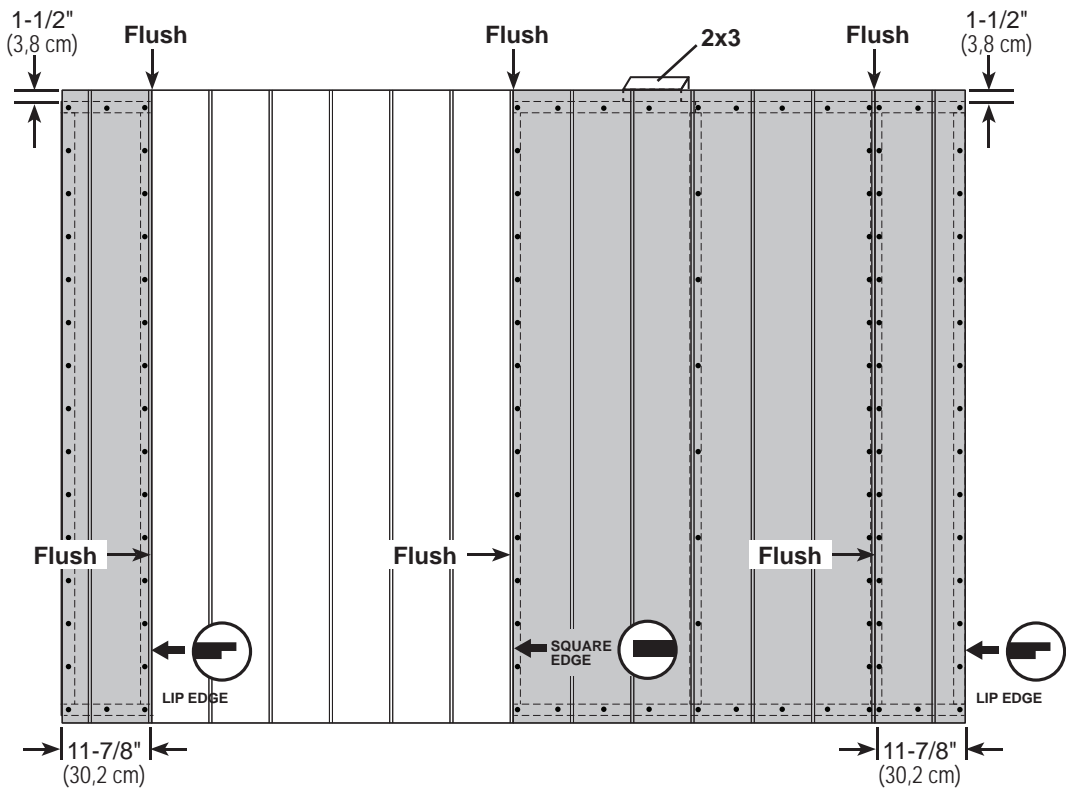
### 3

Install the 48" x 84" and (2) 11-7/8" x 84" panels flush to installed panels.

Locate panels 1-1/2" from the top plate.

Secure with 2" nails spaced 6" apart on edges and 12" apart inside panel.

**Note the panel lip-edge/square edge orientation.**



**FINISH**

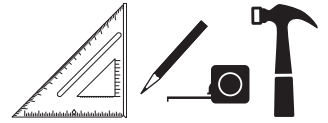
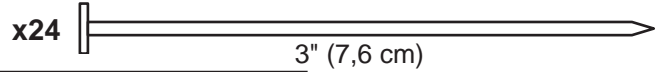
Your 10' WALL 03 is now assembled.

Carefully flip the wall over.

# 12' WALL 04

## PARTS REQUIRED:

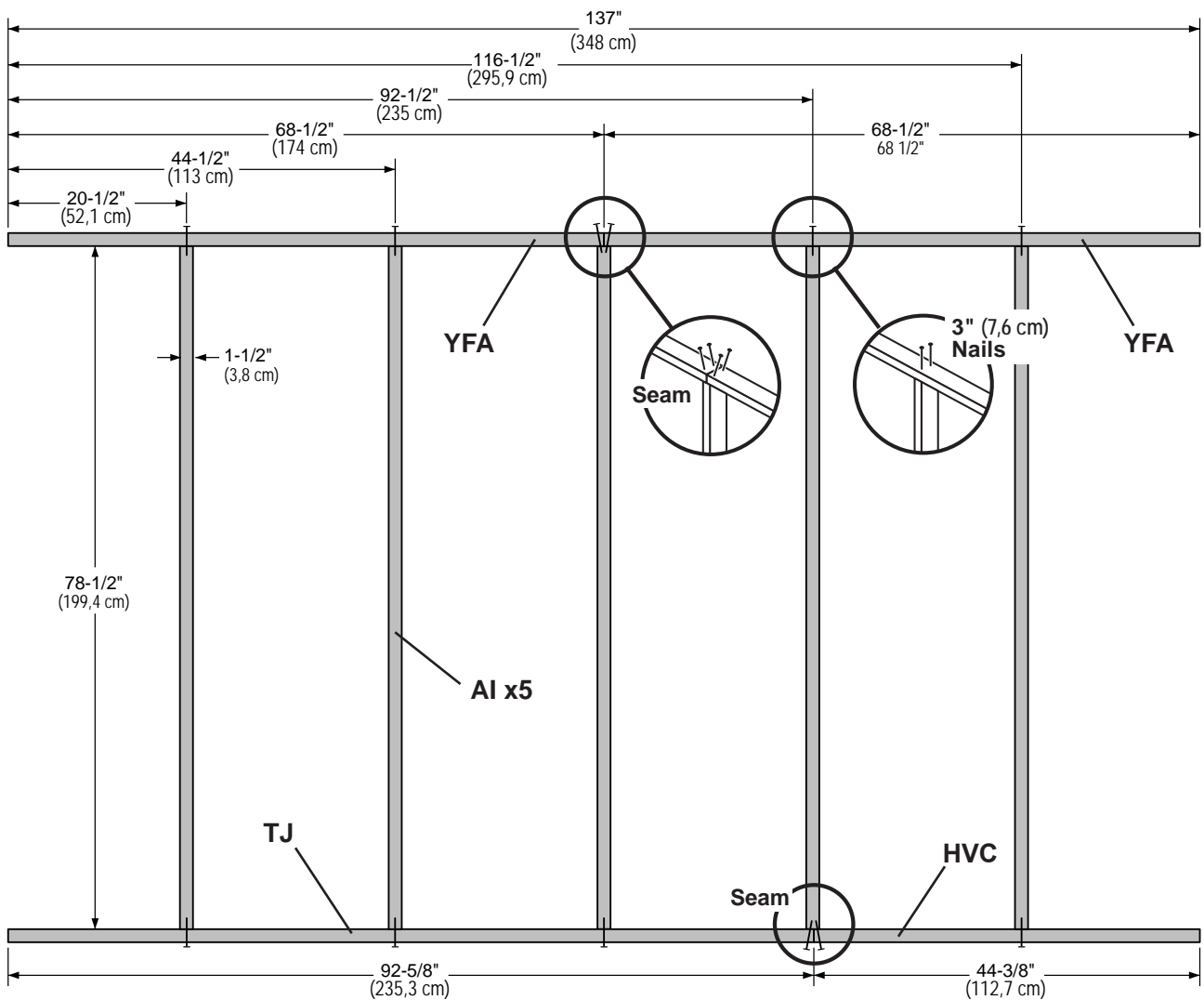
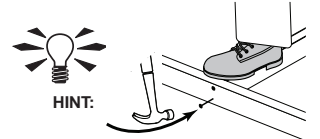
- x1 **HVC**  
2 x 4 x 44-3/8" (5,1 x 10,2 x 112,7 cm)
- x1 **TJ**  
2 x 4 x 92-5/8" (5,1 x 10,2 x 235,3 cm)
- x2 **YFA**  
2 x 4 x 68-1/2" (5,1 x 10,2 x 174 cm)
- x5 **AI**  
2 x 4 x 78-1/2" (5,1 x 10,2 x 199,4 cm)



### ✓ BEGIN

**1** Orient parts on edge on floor. Measure and mark from end of boards.

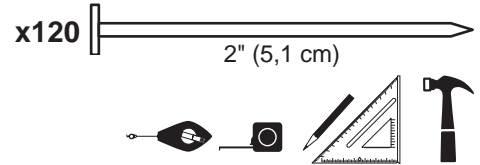
Secure with (2) 3" nails at each connection and (4) 3" nails at seams.





# 12' WALL 04

## PARTS REQUIRED:



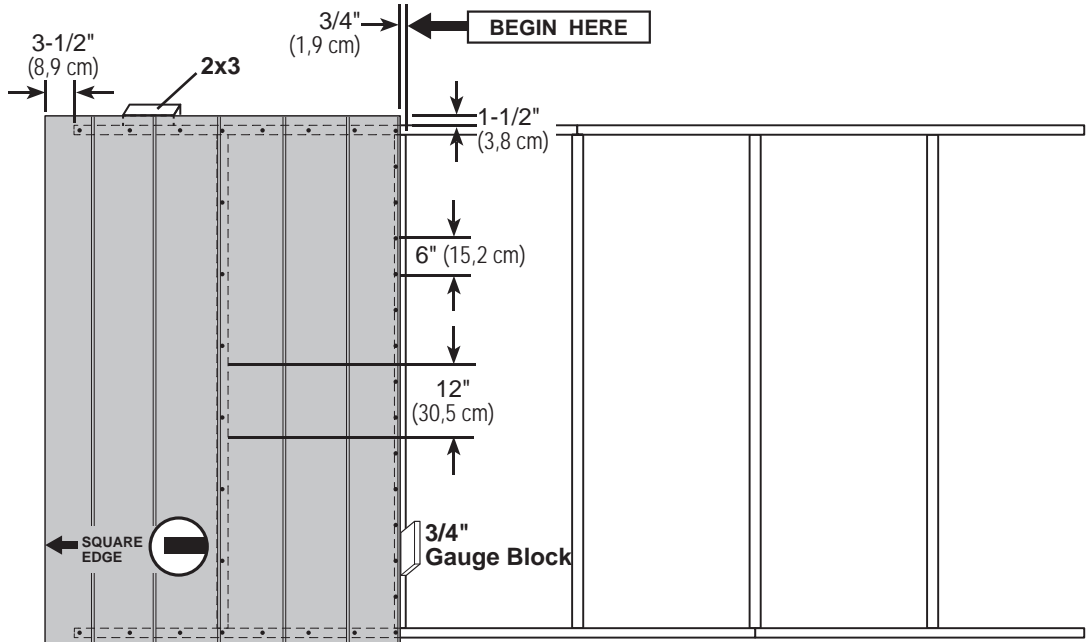
2

Install 48" x 84" panel 1-1/2" from the top plate.

Use a 2x3 spacer for consistent measurement.

Secure panel with 2" nails spaced 6" apart on edges and 12" inside panel.

**Note the panel lip-edge/square edge orientation.**



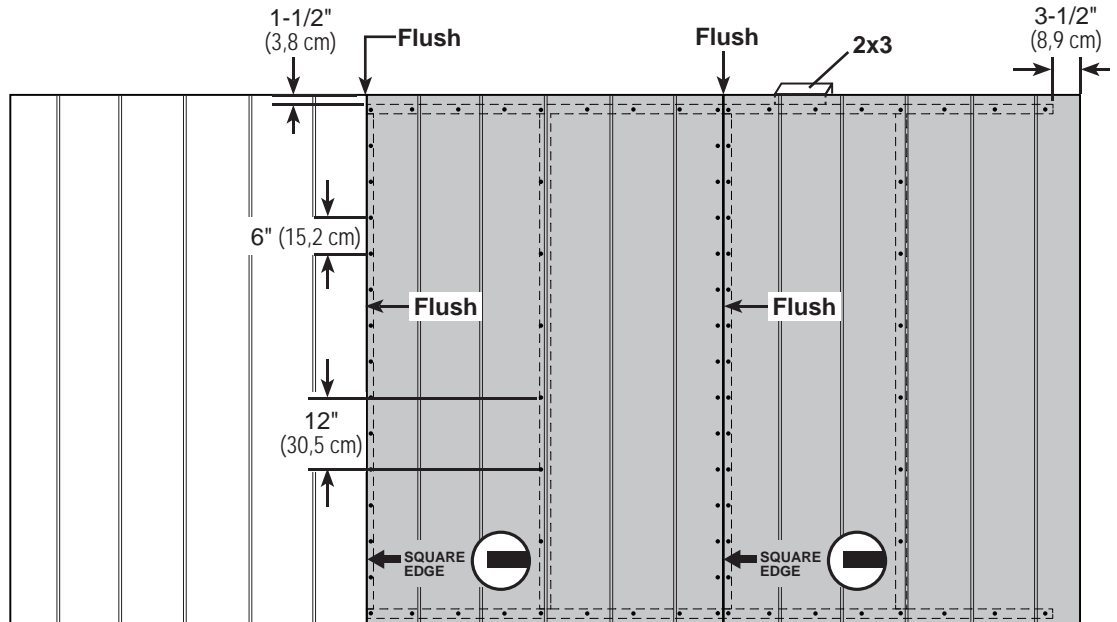
3

Install (2) 48" x 84" panels flush to installed panels.

Locate panels 1-1/2" from the top plate.

Secure with 2" nails spaced 6" apart on edges and 12" apart inside panel.

**Note the panel lip-edge/square edge orientation.**



Your 12' WALL 04 is now assembled.

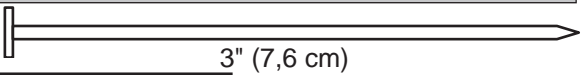
Carefully flip the wall over.

# 12' WALL - 05

## PARTS REQUIRED:

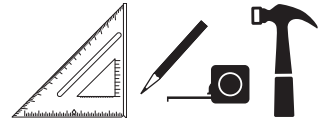
x1 **HVC**  
2 x 4 x 44-3/8" (5,1 x 10,2 x 112,7 cm)

x1 **TJ**  
2 x 4 x 92-5/8" (5,1 x 10,2 x 235,3 cm)

x24  3" (7,6 cm)

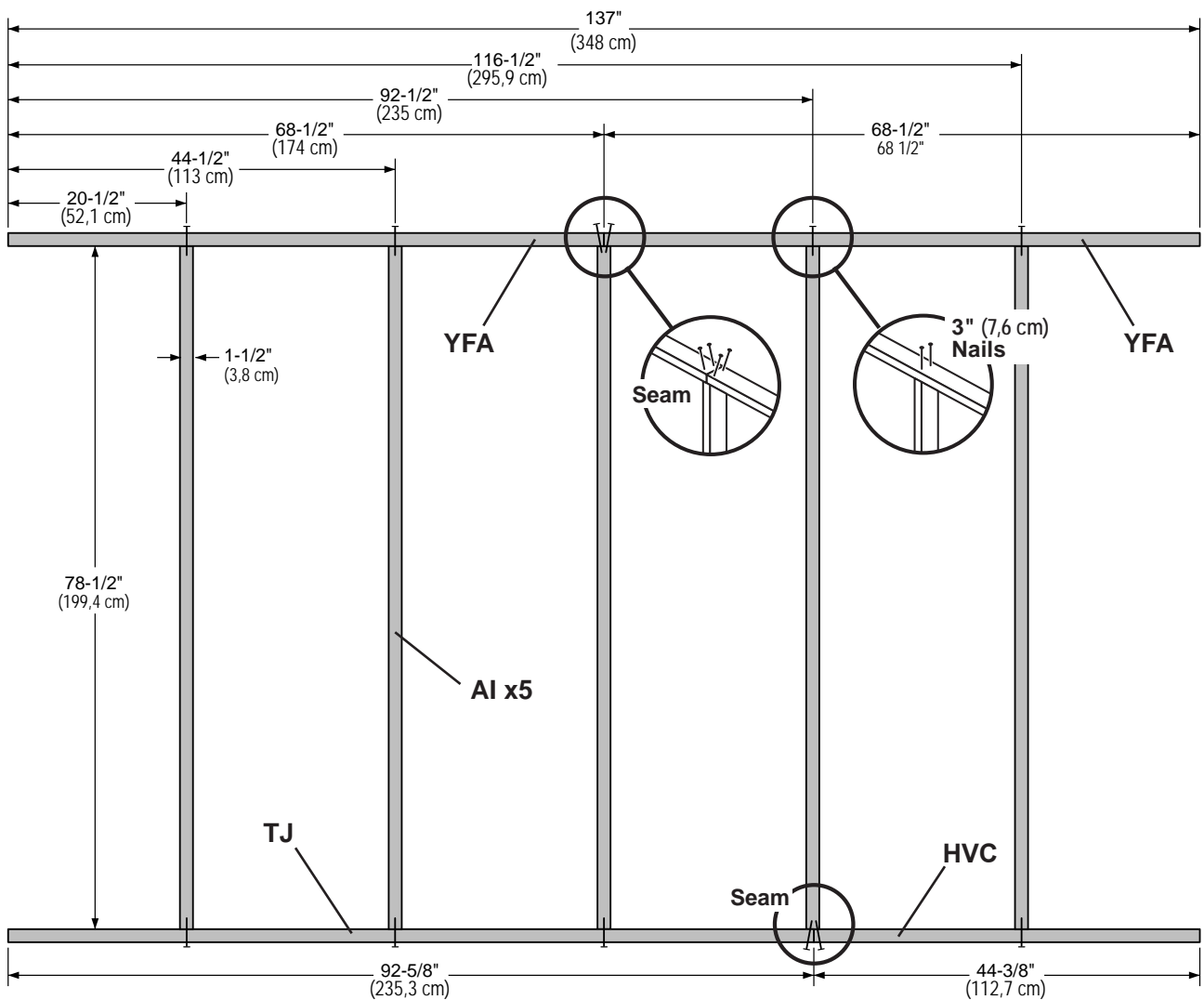
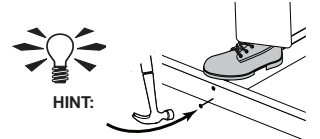
x2 **YFA**  
2 x 4 x 68-1/2" (5,1 x 10,2 x 174 cm)

x5 **AI**  
2 x 4 x 78-1/2" (5,1 x 10,2 x 199,4 cm)



### ✓ BEGIN

- 1 Orient parts on edge on floor. Measure and mark from end of boards. Secure with (2) 3" nails at each connection and (4) 3" nails at seams.



# 12' WALL 05

## PARTS REQUIRED:

x1



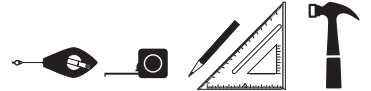
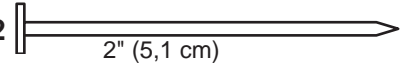
23-7/8" x 84"  
(60,6 x 213,4 cm)

x3



48 x 84"  
(121,9 x 213,4 cm)

x142



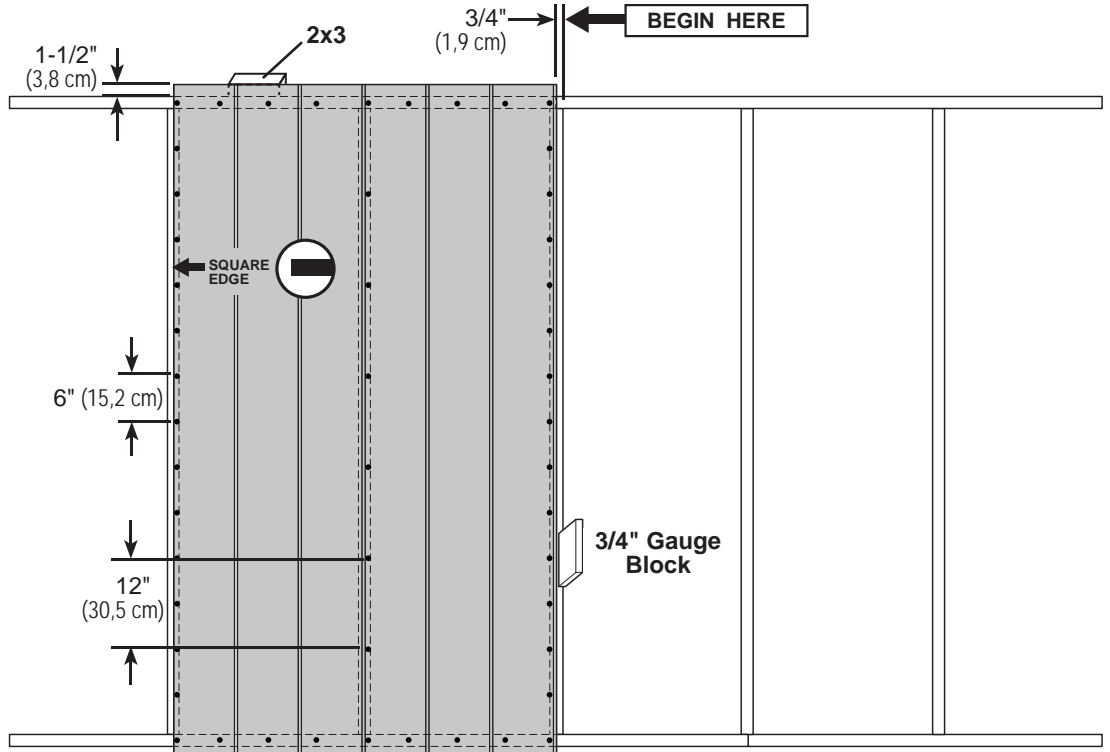
2

Install 48" x 84" panel 1-1/2" from the top plate.

Use a 2x3 spacer for consistent measurement.

Secure panel with 2" nails spaced 6" apart on edges and 12" inside panel.

**Note the panel lip-edge/square edge orientation.**



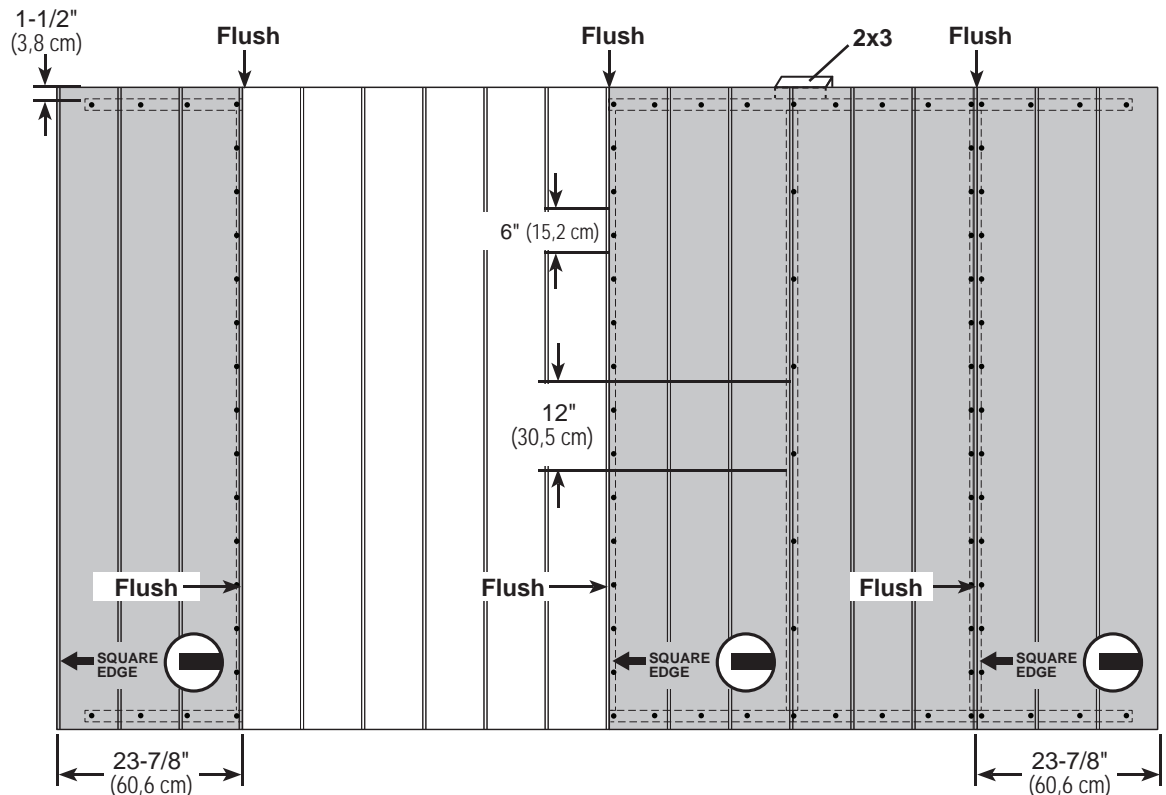
3

Install 48" x 84" and (2) 23-7/8" x 84" panels flush to installed panels.

Locate panels 1-1/2" from the top plate.

Secure with 2" nails spaced 6" apart on edges and 12" apart inside panel.

**Note the panel lip-edge/square edge orientation.**



FINISH

Your 12' WALL 05 is now assembled.

Carefully flip the wall over.

# 12' WALL 06

## PARTS REQUIRED: x5 **AL**

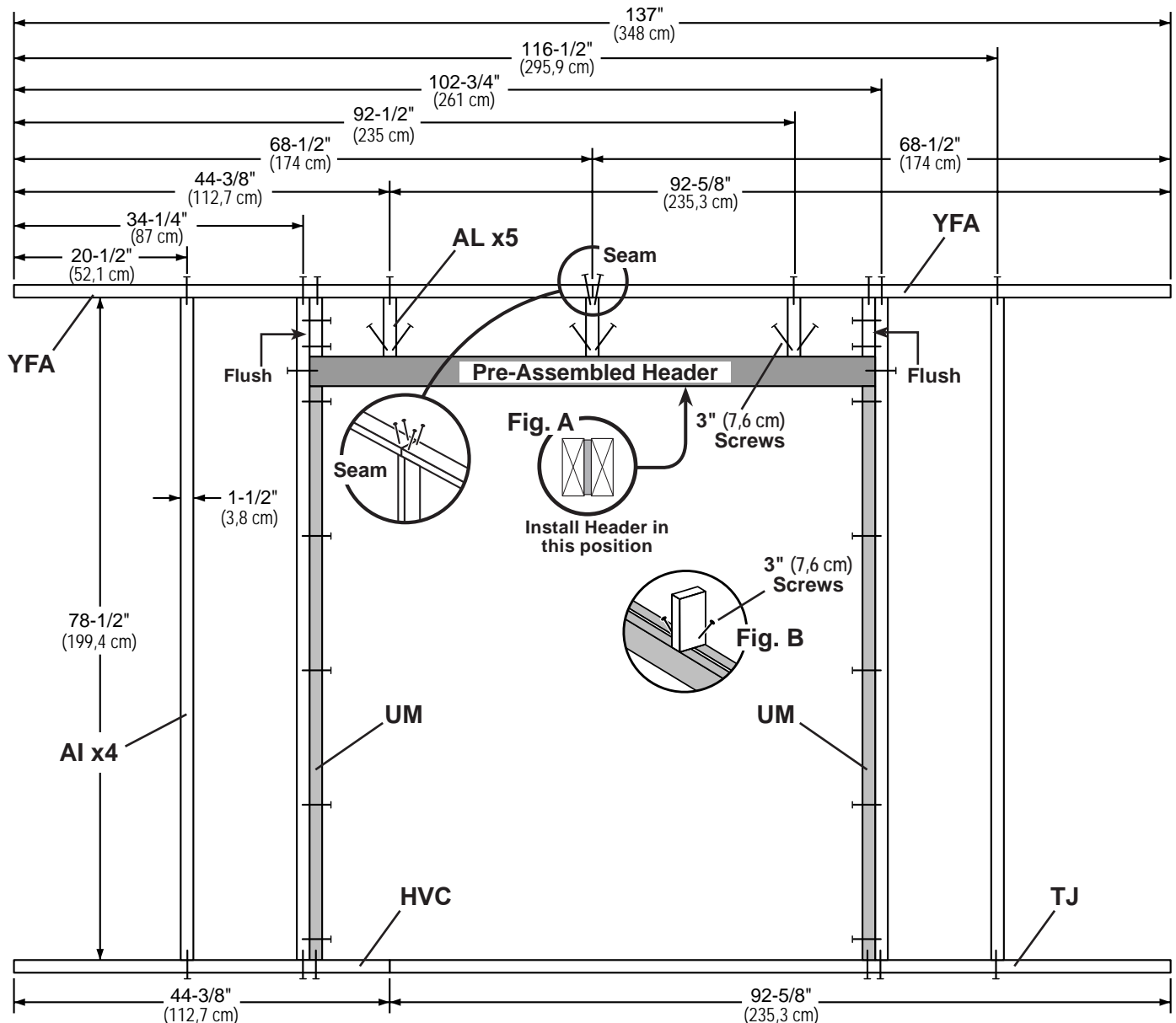
- x1 **HVC** 2 x 4 x 44-3/8" (5,1 x 10,2 x 112,7 cm)
- x2 **UM** 2 x 4 x 68" (5,1 x 10,2 x 172,7 cm)
- x4 **AI** 2 x 4 x 78-1/2" (5,1 x 10,2 x 199,4 cm)
- x1 **TJ** 2 x 4 x 92-5/8" (5,1 x 10,2 x 235,3 cm)
- x1 **Pre Assembled Header**
- x2 **YFA** 2 x 4 x 68-1/2" (5,1 x 10,2 x 174 cm)

- x64 3" (7,6 cm)
- x6 3" (7,6 cm)



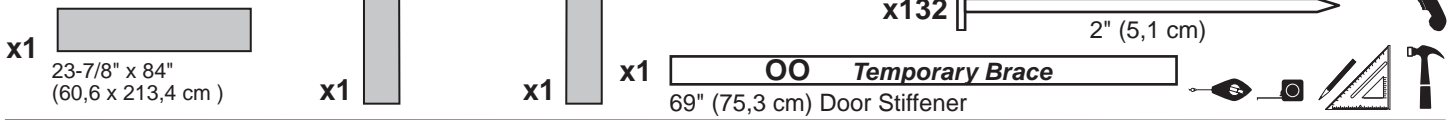
### ✓ BEGIN

- 1 Orient parts on edge on floor as shown. Measure and mark from end of boards. Orient **Pre Assembled Header** on flat side (**Fig. A**). Secure with (2) 3" nails at each connection and (4) 3" nails at seams.
- 2 Fasten (3) middle parts **AL** to **Pre Assembled Header** with (2) 3" screws (**Fig. B**). Fasten (2) end **AL** to studs **AI** with (4) 3" nails at each side. Secure parts **AL** to top plates with (2) 3" nails at each connection and (4) 3" nails at seam.



# 12' WALL 06

## PARTS REQUIRED:

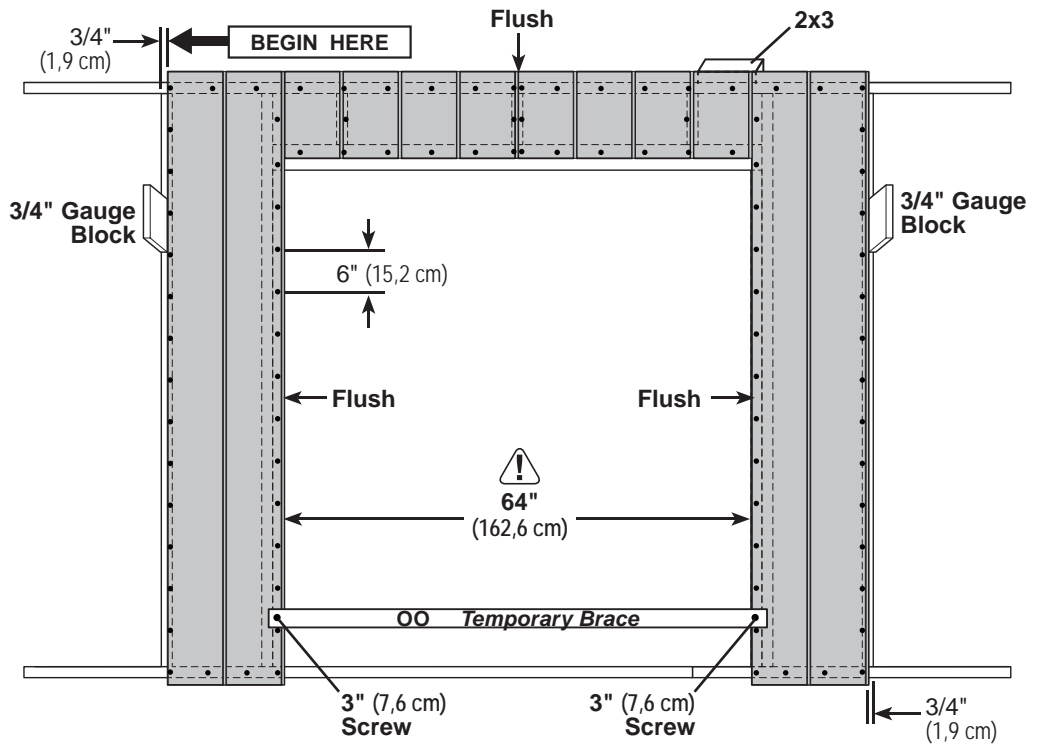


**3**  
Install the left panel 1-1/2" from the top plate.  
Use a 2x3 spacer for consistent measurement.

Secure panel with 2" nails spaced 6" apart on edges.

**4**  
Install the right panel flush to installed panel, as shown.  
Ensure 64" (162,8 cm) door measurement.  
Use part OO as a temporary brace.  
Secure with with (2) 3" screws.

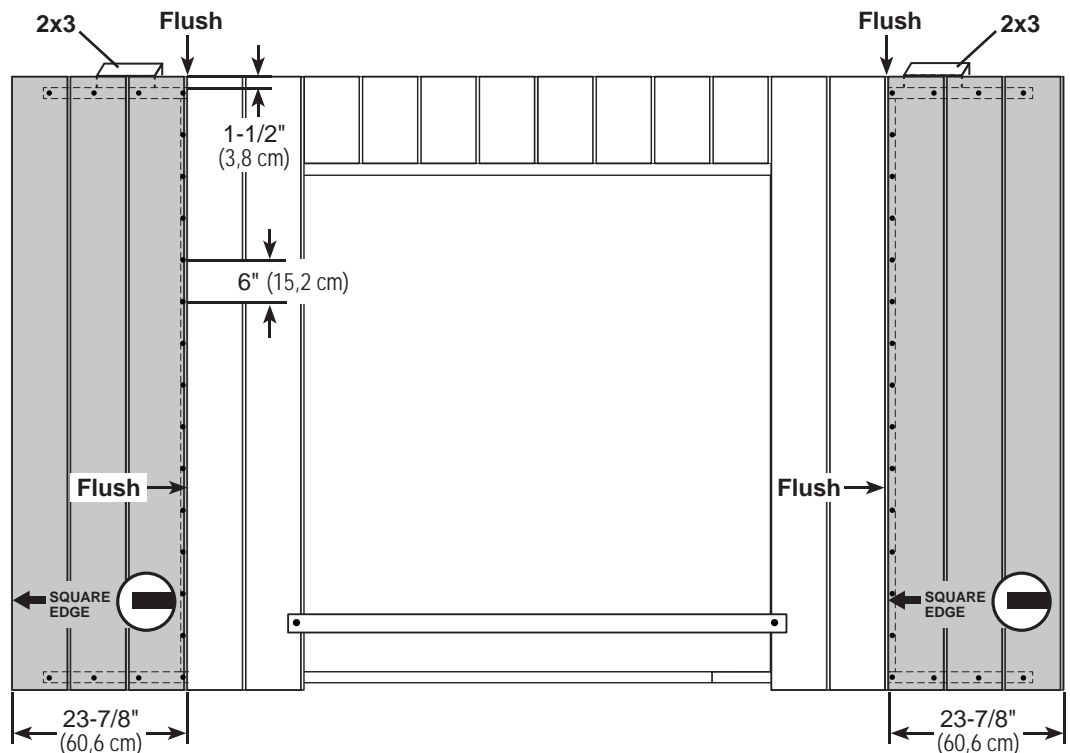
Secure panel with 2" nails spaced 6" apart on edges.



**5**  
Install (2) 23-7/8" x 84" panels flush to installed panels and 1-1/2" from the top plate.

Secure panels with 2" nails spaced 6" apart on edges.

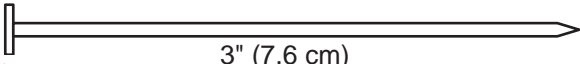
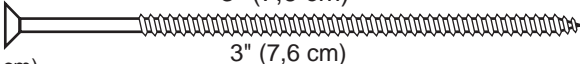
**Note the panel lip-edge/square edge orientation.**



Your 12' WALL 06 is now assembled.  
Carefully flip the wall over.

# 12' WALL 07

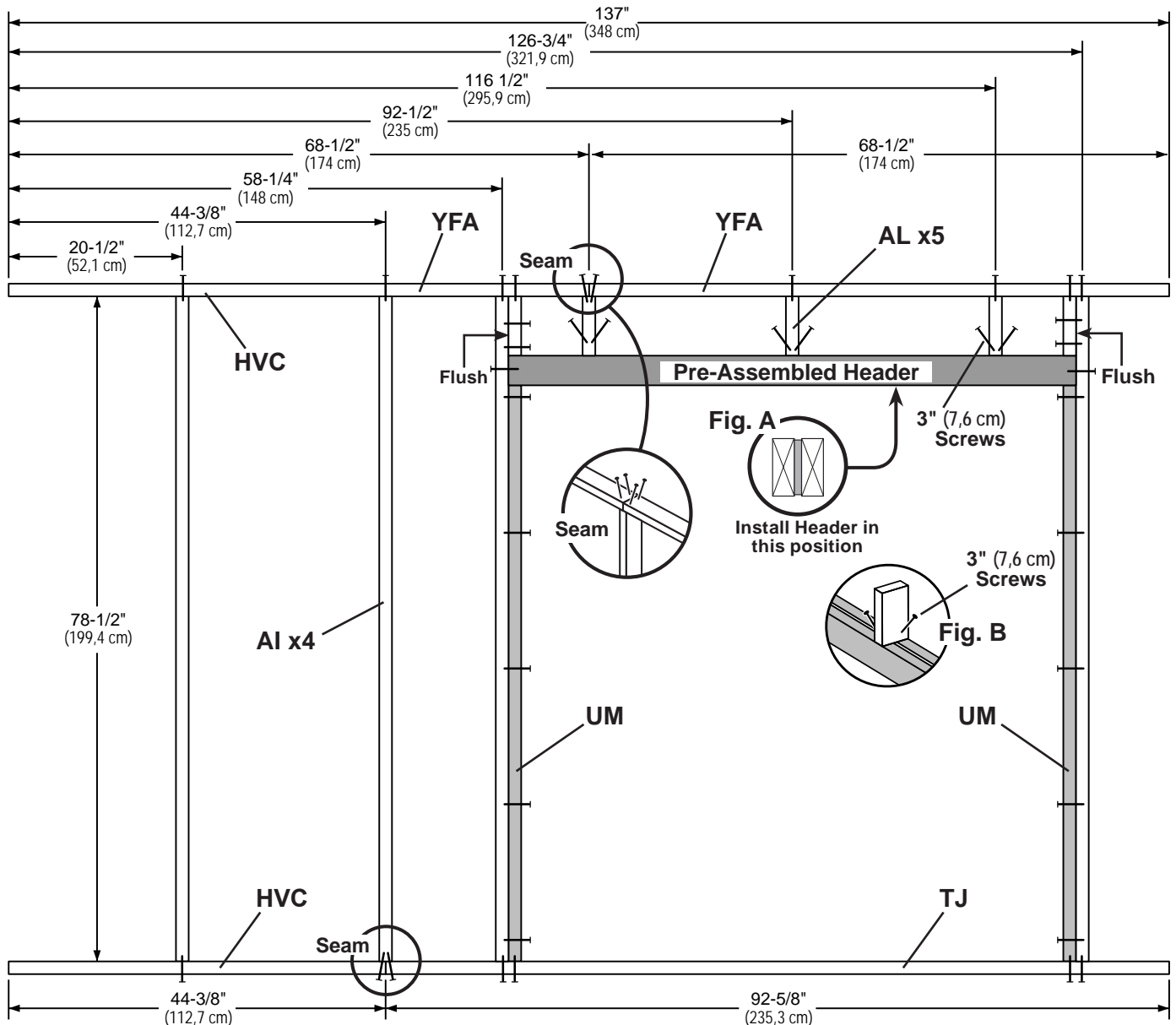
**PARTS REQUIRED:**

x5	<b>AL</b>	2 x 4 x 7" (5,1 x 10,2 x 17,8 cm)	x66		3" (7,6 cm)
x1	<b>HVC</b>	2 x 4 x 44-3/8" (5,1 x 10,2 x 112,7 cm)	x6		3" (7,6 cm)
x2	<b>UM</b>	2 x 4 x 68" (5,1 x 10,2 x 172,7 cm)			
x4	<b>AI</b>	2 x 4 x 78-1/2" (5,1 x 10,2 x 199,4 cm)			
x1	<b>TJ</b>	2 x 4 x 92-5/8" (5,1 x 10,2 x 235,3 cm)			
x1	<b>Pre Assembled Header</b>		x2	<b>YFA</b>	2 x 4 x 68-1/2" (5,1 x 10,2 x 174 cm)



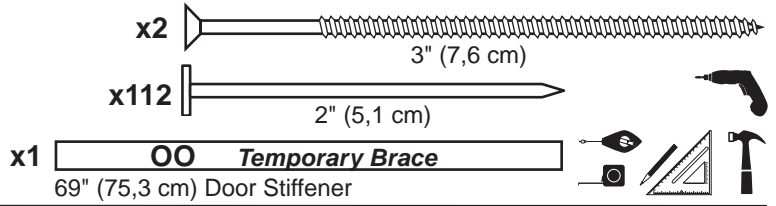
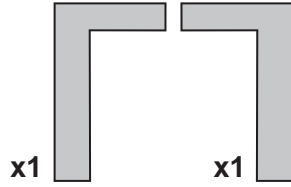
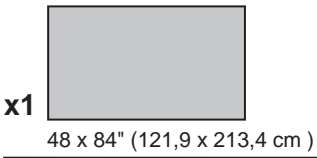
**BEGIN**

- 1** Orient parts on edge on floor as shown. Measure and mark from end of boards.  
 Orient **Pre Assembled Header** on flat side (**Fig. A**).  
 Secure with (2) 3" nails at each connection and (4) 3" nails at seams.
- 2** Fasten (3) middle parts **AL** to **Pre Assembled Header** with (2) 3" screws (**Fig. B**).  
 Fasten (2) end **AL** to studs **AI** with (4) 3" nails at each side.  
 Secure parts **AL** to top plates with (2) 3" nails at each connection and (4) 3" nails at seam.



# 12' WALL 07

## PARTS REQUIRED:



**3**

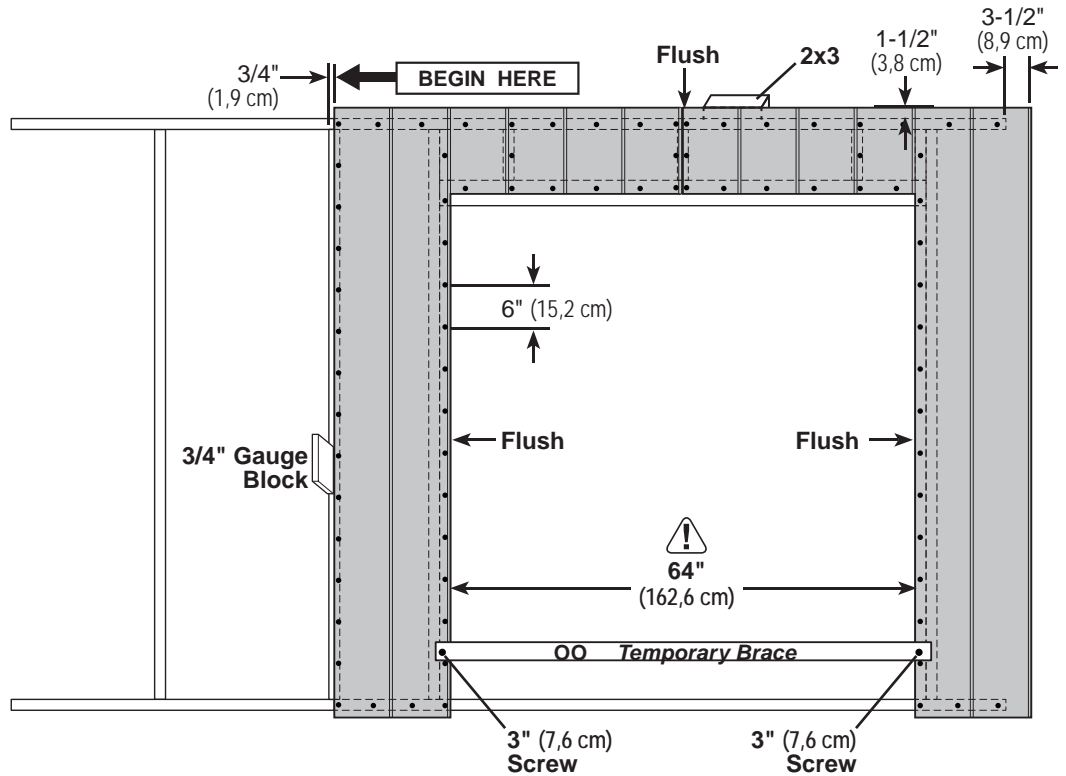
Install the left panel 1-1/2" from the top plate. Use a 2x3 spacer for consistent measurement.

Secure panel with 2" nails spaced 6" apart on edges.

**4**

Install the right panel flush to installed panel, as shown. Ensure 64" (162,8 cm) door measurement. Use part OO as a temporary brace. Secure with with (2) 3" screws.

Secure panel with 2" nails spaced 6" apart on edges.

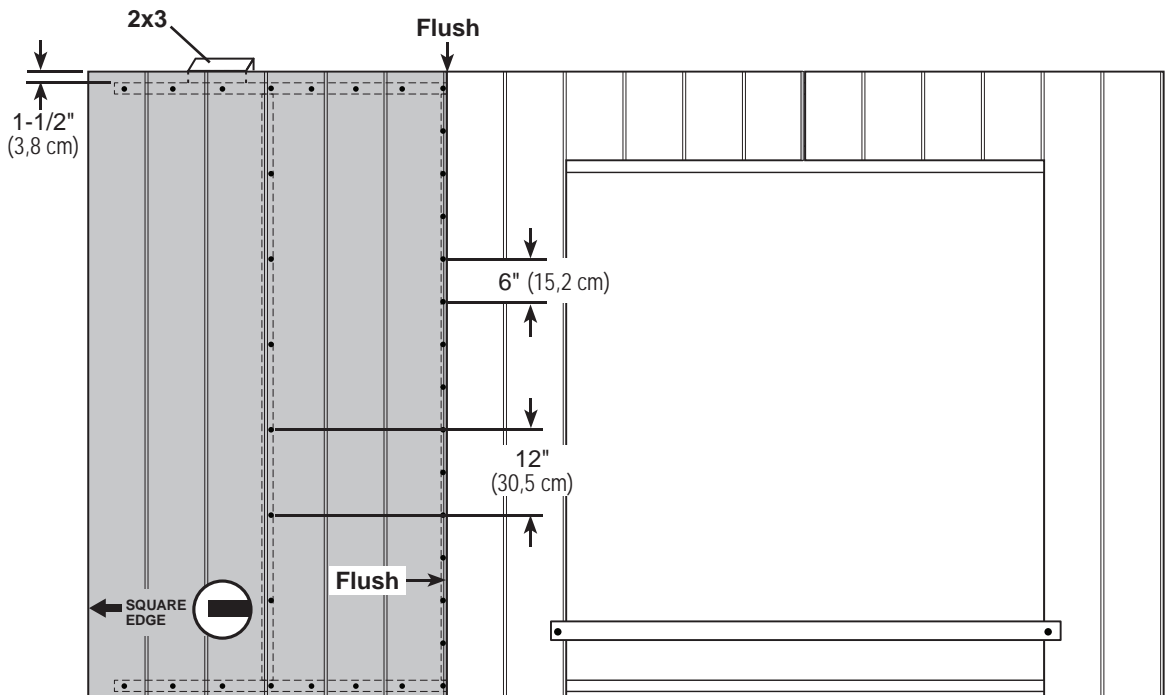


**5**

Install 48" x 84" panel flush to installed panel and 1-1/2" from the top plate.

Secure panels with 2" nails spaced 6" apart on edges.

**Note the panel lip-edge/square edge orientation.**



Your 12' WALL 07 is now assembled. Carefully flip the wall over.

# 16' WALL 08

## PARTS REQUIRED:

x1 **HVC** 2 x 4 x 44-3/8" (5,1 x 10,2 x 112,7 cm)

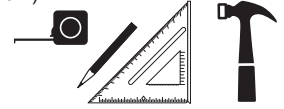
x36 3" (7,6 cm)

x2 **SP** 2 x 4 x 48" (5,1 x 10,2 x 121,9 cm)

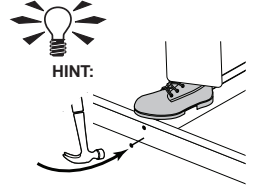
x2 **YFA** 2 x 4 x 68-1/2" (5,1 x 10,2 x 174 cm)

x7 **AI** 2 x 4 x 78-1/2" (5,1 x 10,2 x 199,4 cm)

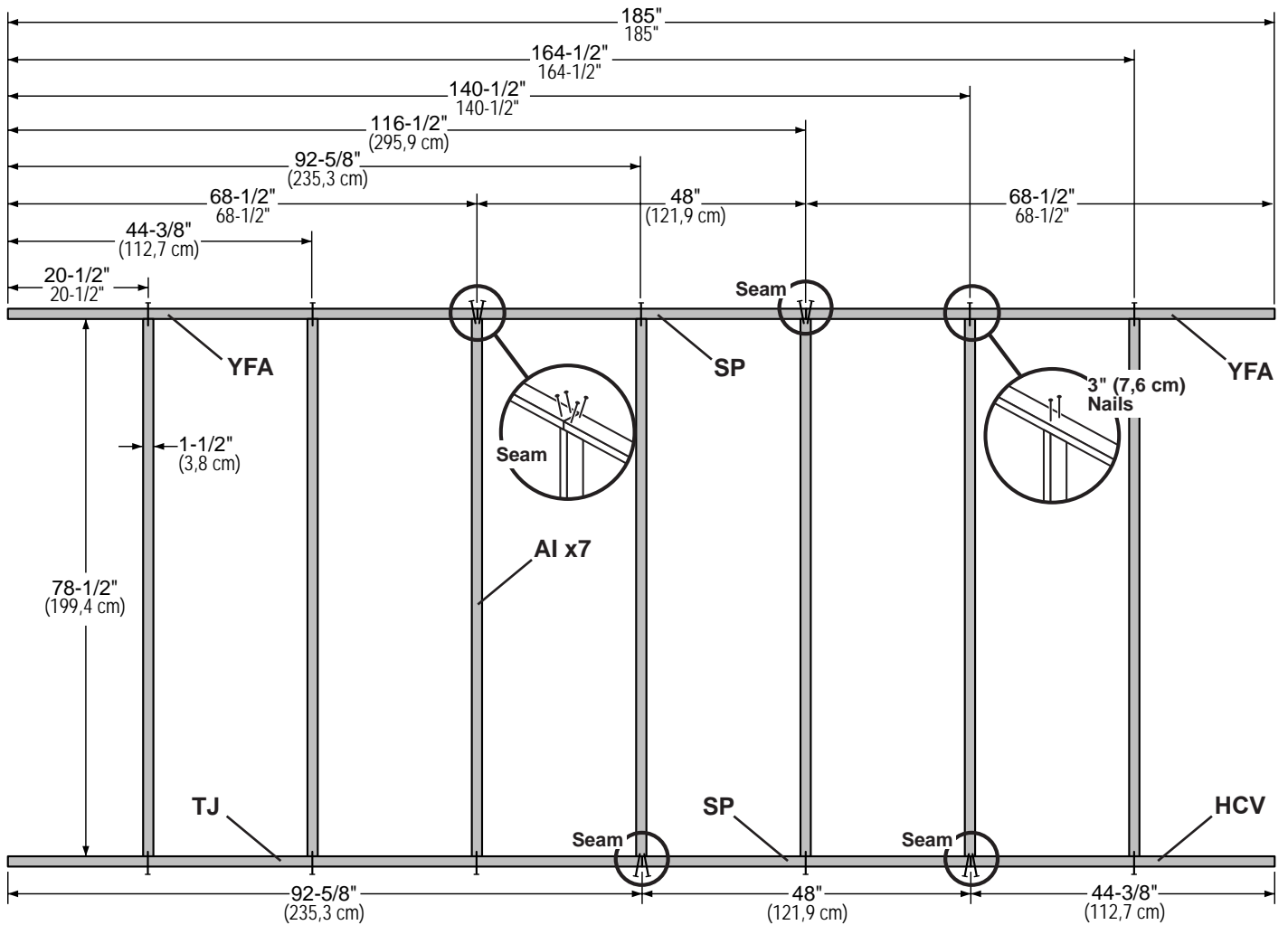
x1 **TJ** 2 x 4 x 92-5/8" (5,1 x 10,2 x 235,3 cm)



### ✓ BEGIN



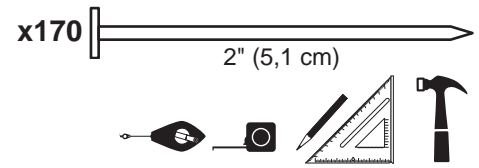
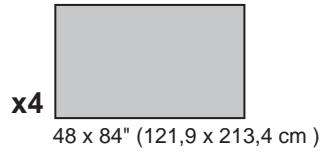
- 1 Orient parts on edge on floor. Measure and mark from end of boards.  
Secure with (2) 3" nails at each connection and (4) 3" nails at seams.





# 16' WALL 08

## PARTS REQUIRED:



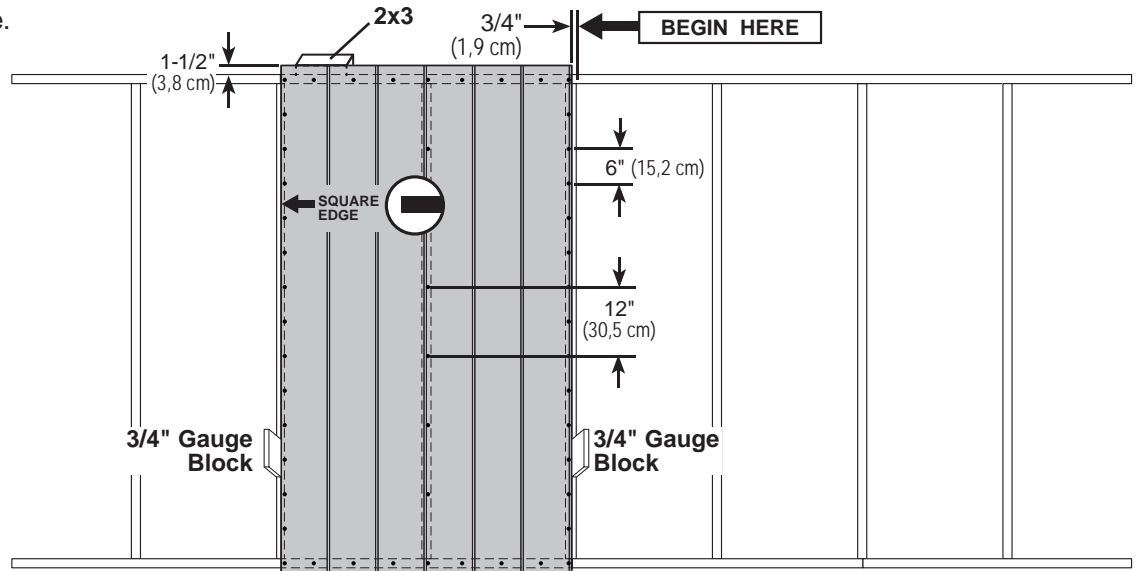
2

Install 48" x 84" panel 1-1/2" from the top plate.

Use a 2x3 spacer for consistent measurement.

Secure panel with 2" nails spaced 6" apart on edges and 12" inside panel.

**Note the panel lip-edge/square edge orientation.**



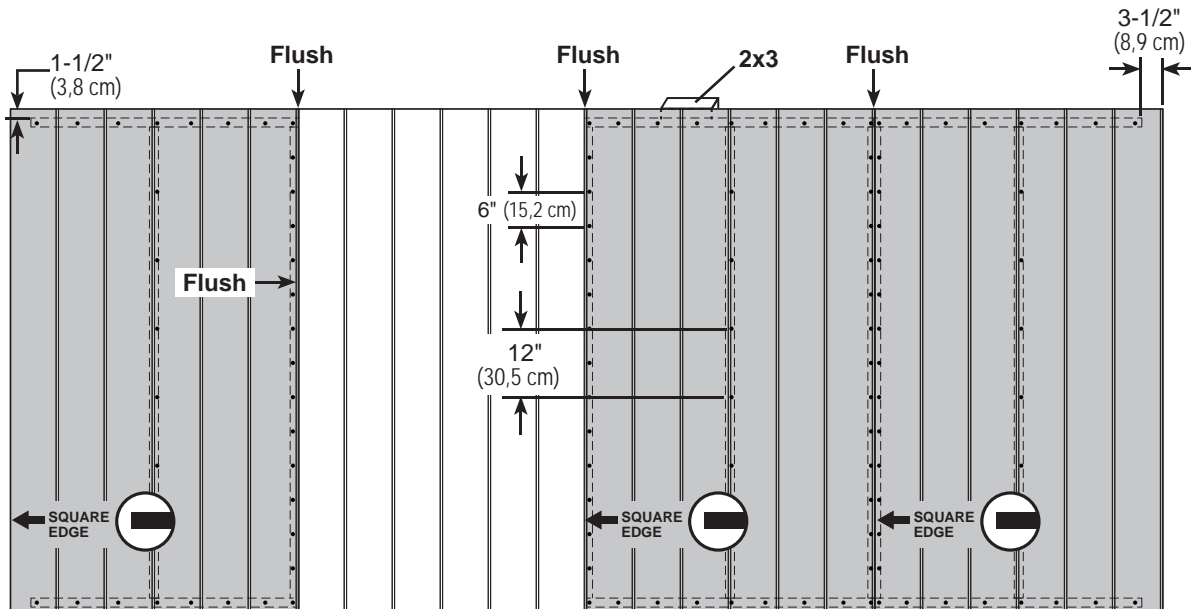
3

Install (3) 48" x 84" panels flush to installed panels.

Locate panels 1-1/2" from the top plate.

Secure with 2" nails spaced 6" apart on edges and 12" apart inside panel.

**Note the panel lip-edge/square edge orientation.**



Your 16' WALL 08 is now assembled.

Carefully flip the wall over.

# 16' WALL 09

## PARTS REQUIRED:

x1 **HVC** 2 x 4 x 44-3/8" (5,1 x 10,2 x 112,7 cm)

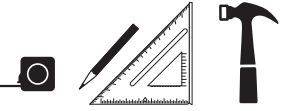
x2 **SP** 2 x 4 x 48" (5,1 x 10,2 x 121,9 cm)

x7 **AI** 2 x 4 x 78-1/2" (5,1 x 10,2 x 199,4 cm)

x1 **TJ** 2 x 4 x 92-5/8" (5,1 x 10,2 x 235,3 cm)

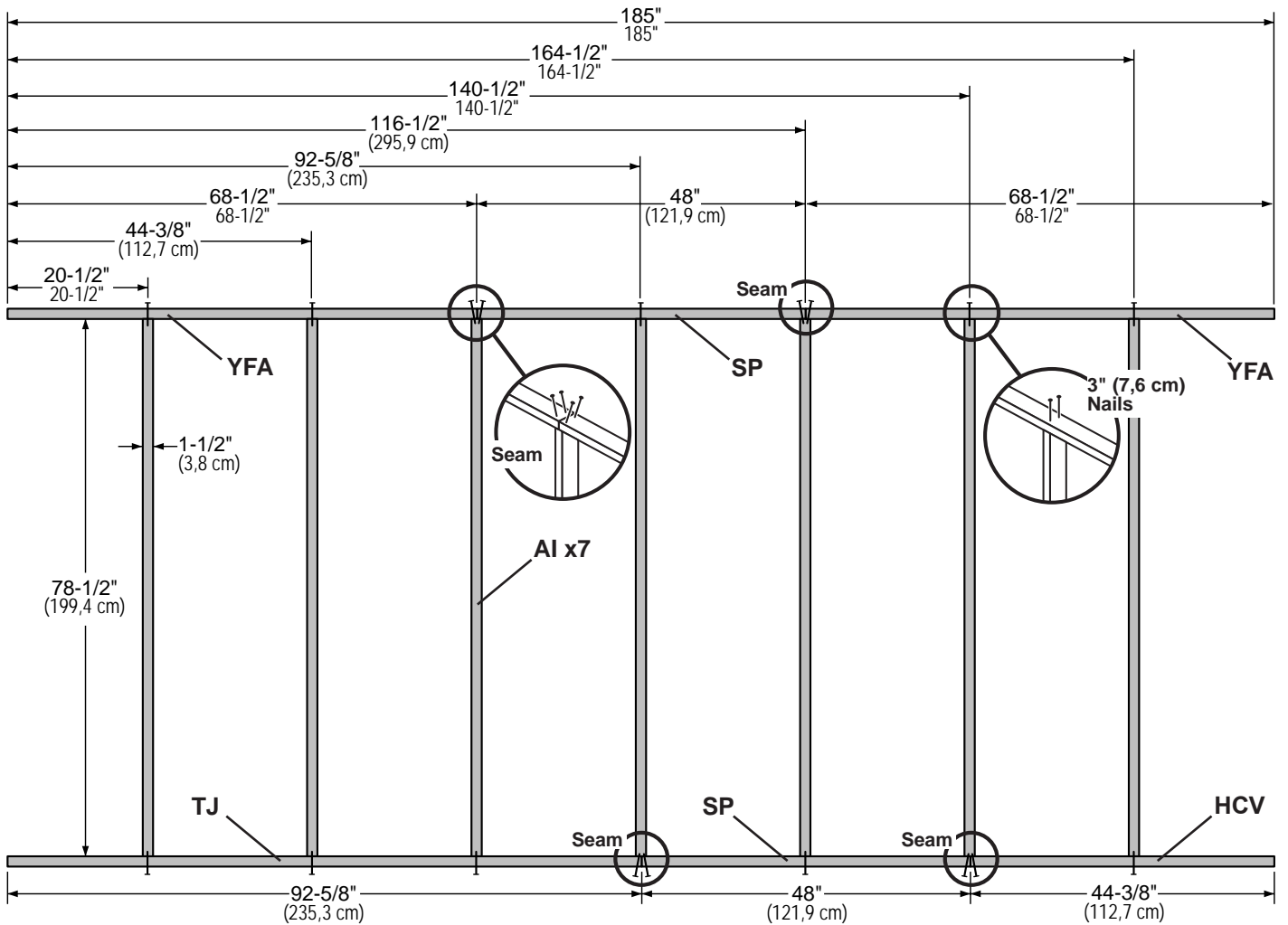
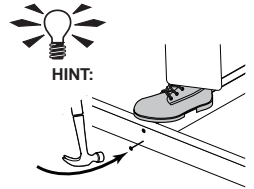
x36 **3"** (7,6 cm)

x2 **YFA** 2 x 4 x 68-1/2" (5,1 x 10,2 x 174 cm)



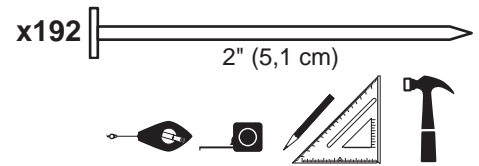
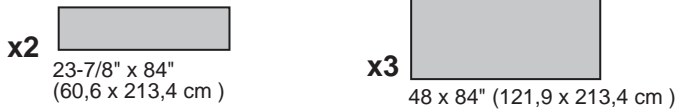
### ✓ BEGIN

- 1 Orient parts on edge on floor. Measure and mark from end of boards.  
Secure with (2) 3" nails at each connection and (4) 3" nails at seams.



# 16' WALL 09

## PARTS REQUIRED:



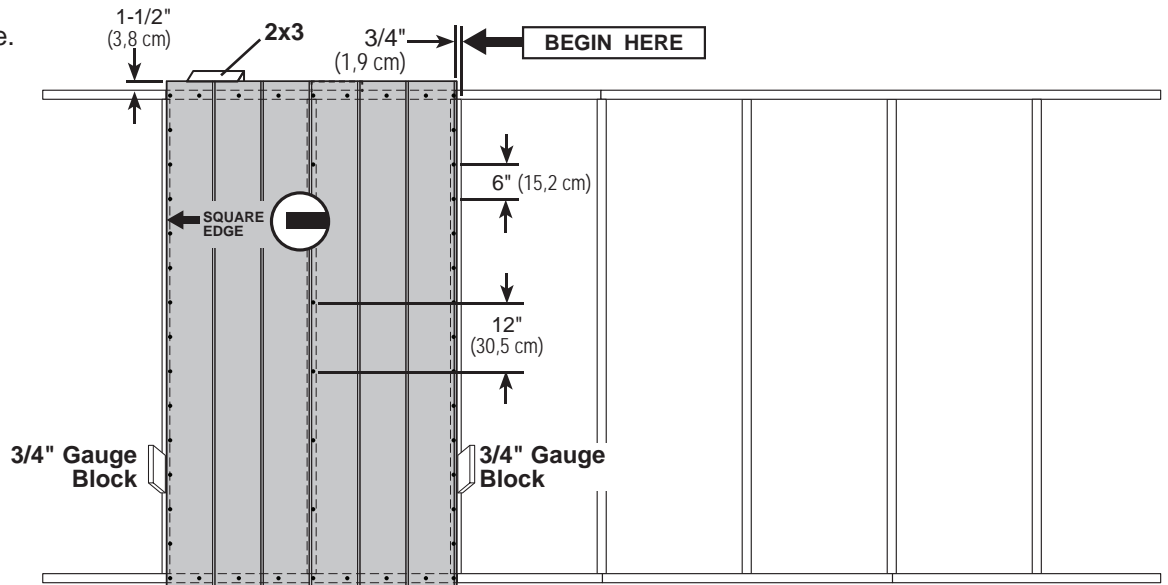
**2**

Install 48" x 84" panel 1-1/2" from the top plate.

Use a 2x3 spacer for consistent measurement.

Secure panel with 2" nails spaced 6" apart on edges and 12" inside panel.

**Note the panel lip-edge/square edge orientation.**



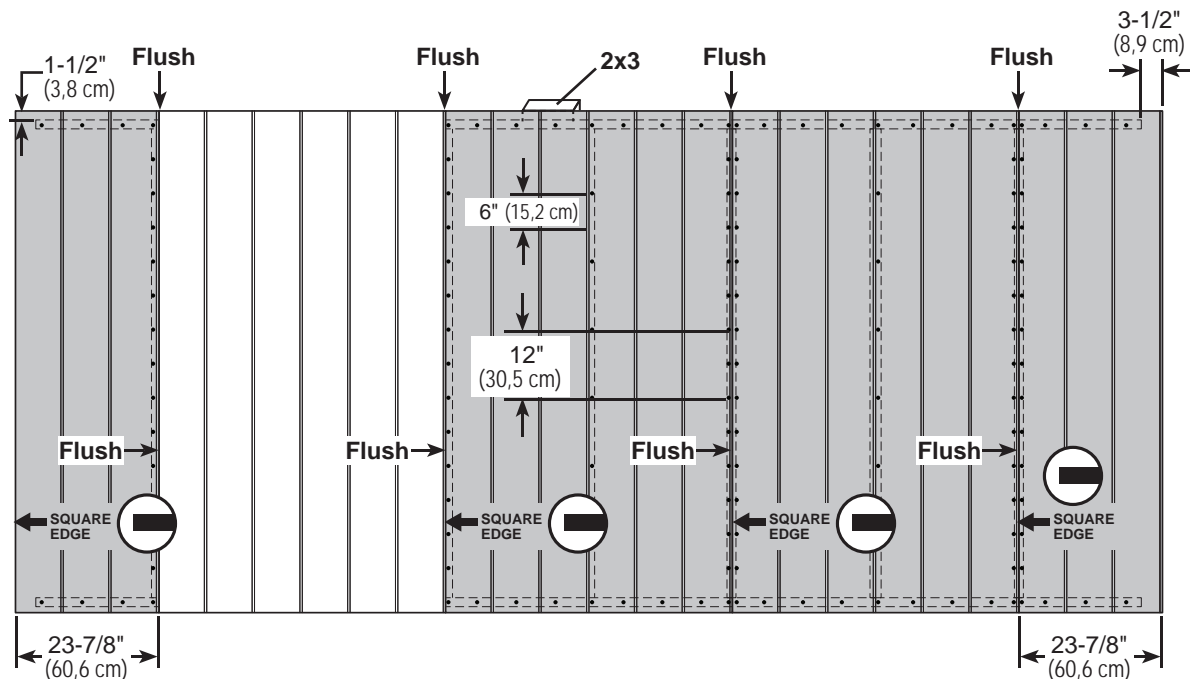
**3**

Install (2) 48" x 84" panels and (2) 23-7/8" x 84" panels flush to installed panels.

Locate panels 1-1/2" from the top plate.

Secure with 2" nails spaced 6" apart on edges and 12" apart inside panel.

**Note the panel lip-edge/square edge orientation.**



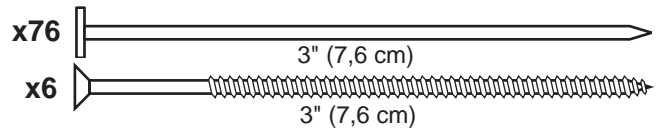
Your 16' WALL 09 is now assembled.

Carefully flip the wall over.

# 16' WALL 10

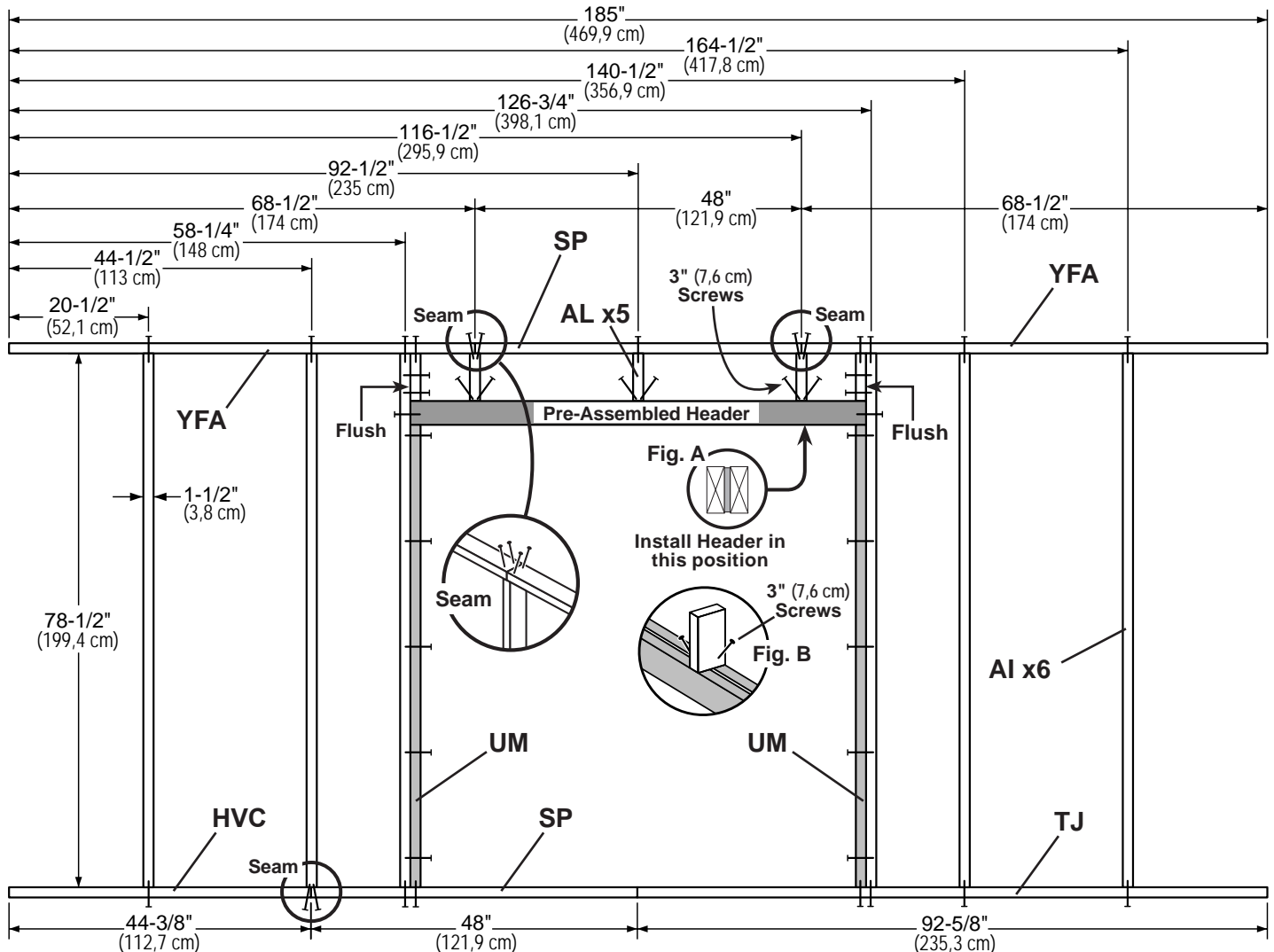
## PARTS REQUIRED:

x1	<b>HVC</b>	2 x 4 x 44-3/8" (5,1 x 10,2 x 112,7 cm)
x2	<b>SP</b>	2 x 4 x 48" (5,1 x 10,2 x 121,9 cm)
x2	<b>UM</b>	2 x 4 x 68" (5,1 x 10,2 x 172,7 cm)
x2	<b>YFA</b>	2 x 4 x 68-1/2" (5,1 x 10,2 x 174 cm)
x6	<b>AI</b>	2 x 4 x 78-1/2" (5,1 x 10,2 x 199,4 cm)
x1	<b>TJ</b>	2 x 4 x 92-5/8" (5,1 x 10,2 x 235,3 cm)
x1	<b>Pre Assembled Header</b>	
x5	<b>AL</b>	2 x 4 x 7" (5,1 x 10,2 x 17,8 cm)



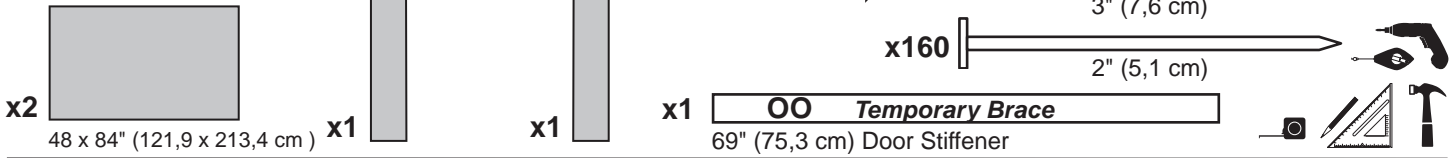
### ✓ BEGIN

- 1** Orient parts on edge on floor as shown. Measure and mark from end of boards.  
Orient **Pre Assembled Header** on flat side (**Fig. A**).  
Secure with (2) 3" nails at each connection and (4) 3" nails at seams.
- 2** Fasten (3) middle parts **AL** to **Pre Assembled Header** with (2) 3" screws (**Fig. B**).  
Fasten (2) end **AL** to studs **AI** with (4) 3" nails at each side.  
Secure parts **AL** to top plates with (2) 3" nails at each connection and (4) 3" nails at seam.



# 16' WALL 10

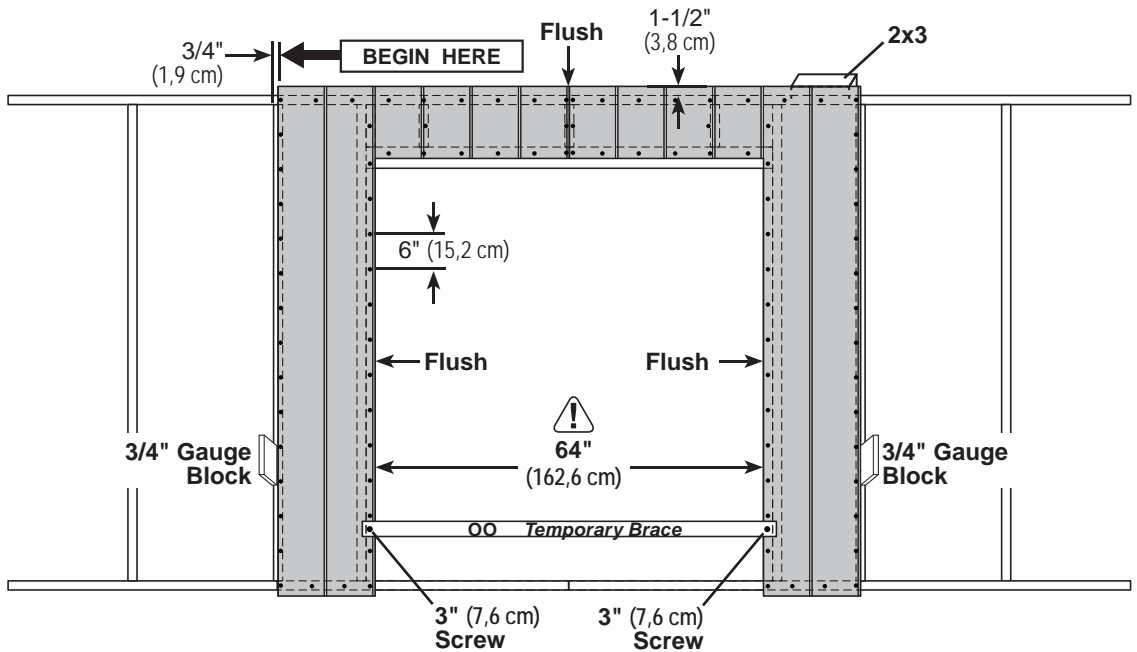
## PARTS REQUIRED:



### 3

Install the left panel 1-1/2" from the top plate. Use a 2x3 spacer for consistent measurement.

Secure panel with 2" nails spaced 6" apart on edges.



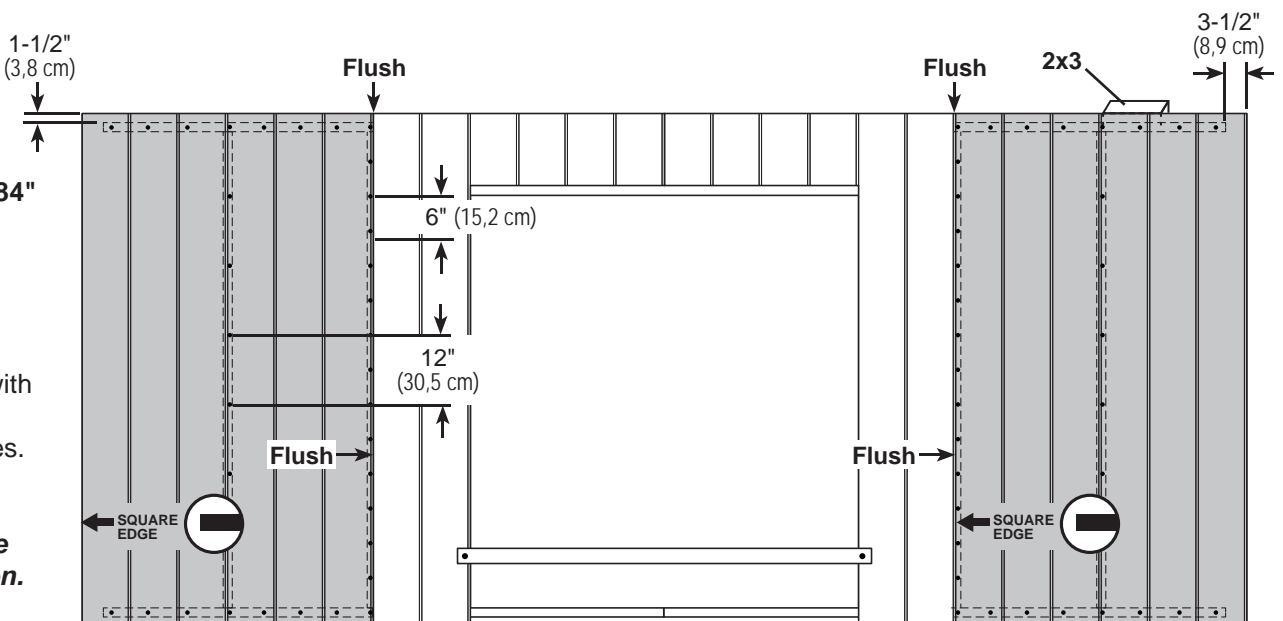
### 4

Install the right panel flush to installed panel, as shown.

Ensure 64" (162,8 cm) door measurement.

Use part OO as a temporary brace. Secure with with (2) 3" screws.

Secure panel with 2" nails spaced 6" apart on edges.

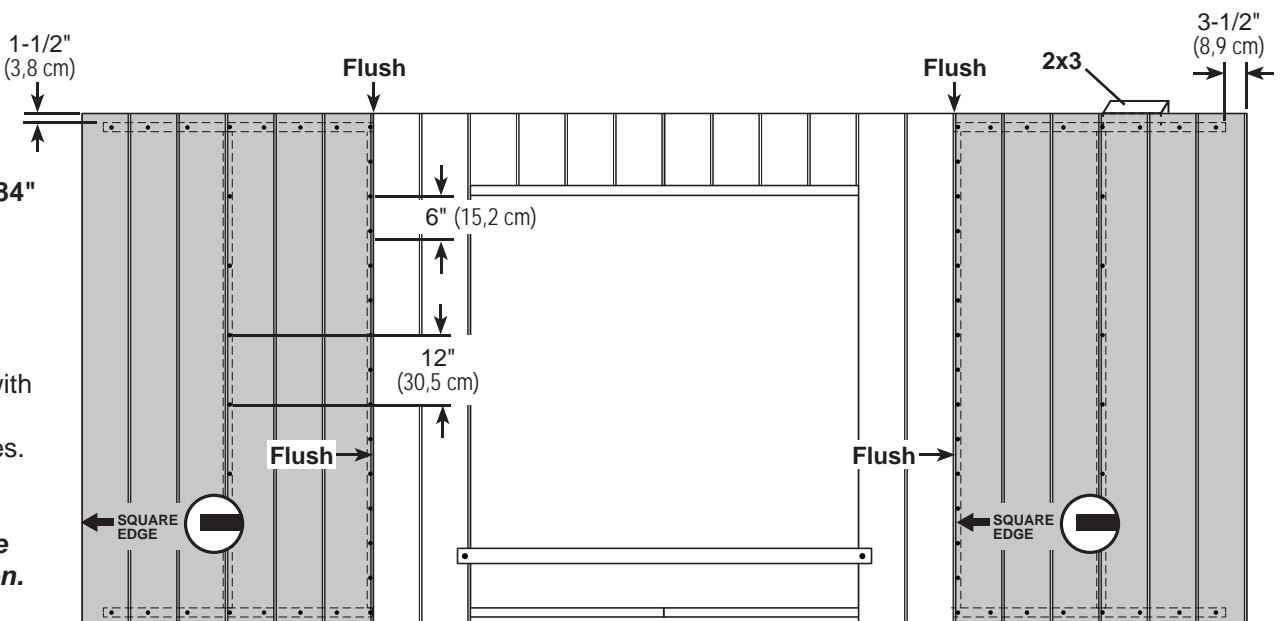


### 5

Install (2) 48" x 84" panels flush to installed panels and 1-1/2" from the top plate.

Secure panels with 2" nails spaced 6" apart on edges.

**Note the panel lip-edge/square edge orientation.**

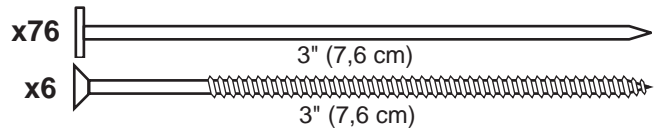


Your 16' WALL 10 is now assembled. Carefully flip the wall over.

# 16' WALL 11

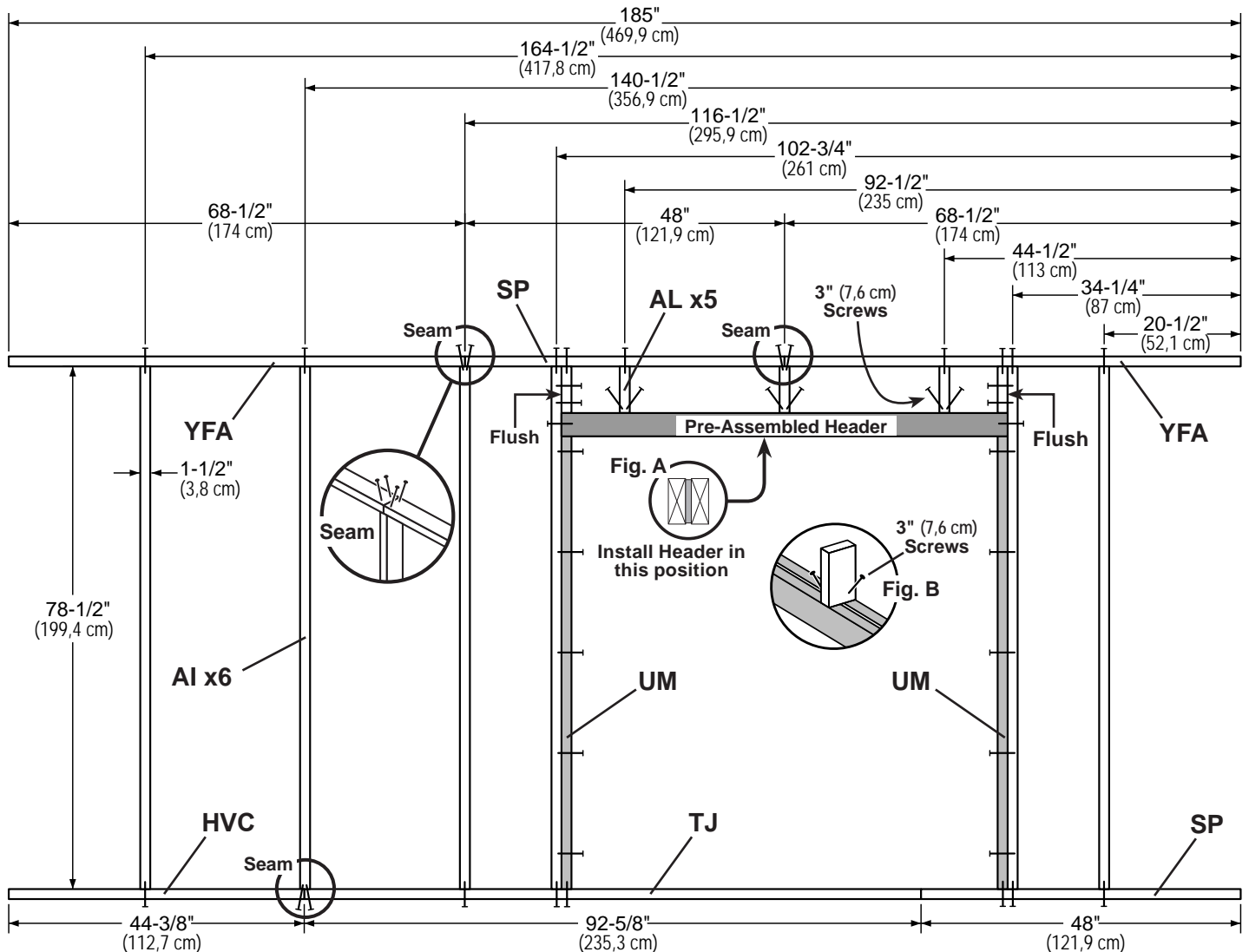
## PARTS REQUIRED:

x1	<b>HVC</b>	2 x 4 x 44-3/8" (5,1 x 10,2 x 112,7 cm)
x2	<b>SP</b>	2 x 4 x 48" (5,1 x 10,2 x 121,9 cm)
x2	<b>UM</b>	2 x 4 x 68" (5,1 x 10,2 x 172,7 cm)
x2	<b>YFA</b>	2 x 4 x 68-1/2" (5,1 x 10,2 x 174 cm)
x6	<b>AI</b>	2 x 4 x 78-1/2" (5,1 x 10,2 x 199,4 cm)
x1	<b>TJ</b>	2 x 4 x 92-5/8" (5,1 x 10,2 x 235,3 cm)
<b>Pre Assembled Header</b>		
x1	<b>AL</b>	2 x 4 x 7" (5,1 x 10,2 x 17,8 cm)



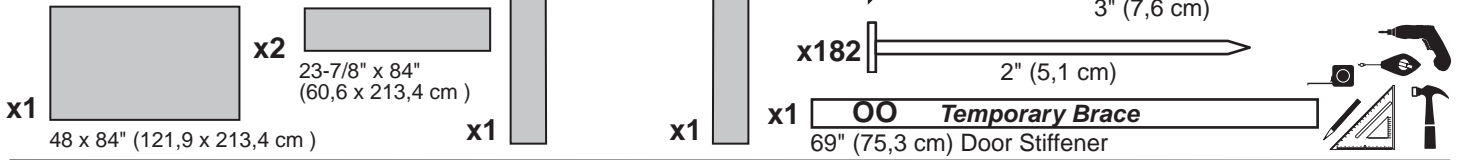
### ✓ BEGIN

- 1** Orient parts on edge on floor as shown. Measure and mark from end of boards.  
 Orient **Pre Assembled Header** on flat side (**Fig. A**).  
 Secure with (2) 3" nails at each connection and (4) 3" nails at seams.
- 2** Fasten (3) middle parts **AL** to **Pre Assembled Header** with (2) 3" screws (**Fig. B**).  
 Fasten (2) end **AL** to studs **AI** with (4) 3" nails at each side.  
 Secure parts **AL** to top plates with (2) 3" nails at each connection and (4) 3" nails at seam.



# 16' WALL 11

## PARTS REQUIRED:



### 3

Install the left panel 1-1/2" from the top plate. Use a 2x3 spacer for consistent measurement.

Secure panel with 2" nails spaced 6" apart on edges.

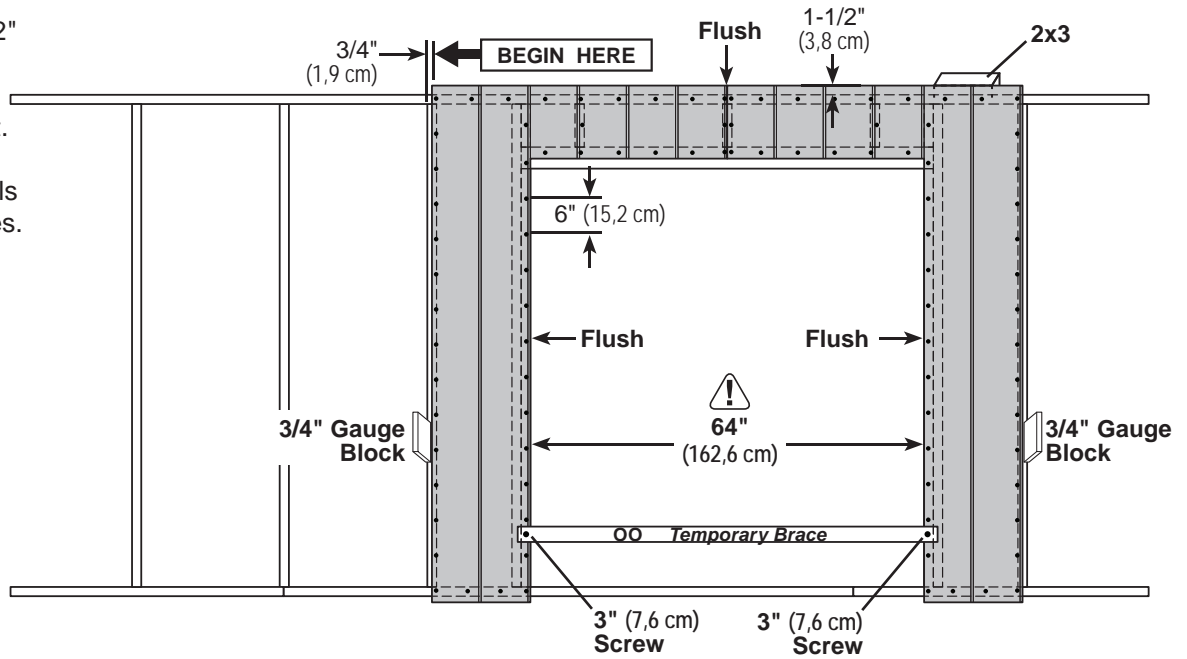
### 4

Install the right panel flush to installed panel, as shown.

Ensure 64" (162,8 cm) door measurement.

Use part OO as a temporary brace. Secure with with (2) 3" screws.

Secure panel with 2" nails spaced 6" apart on edges.

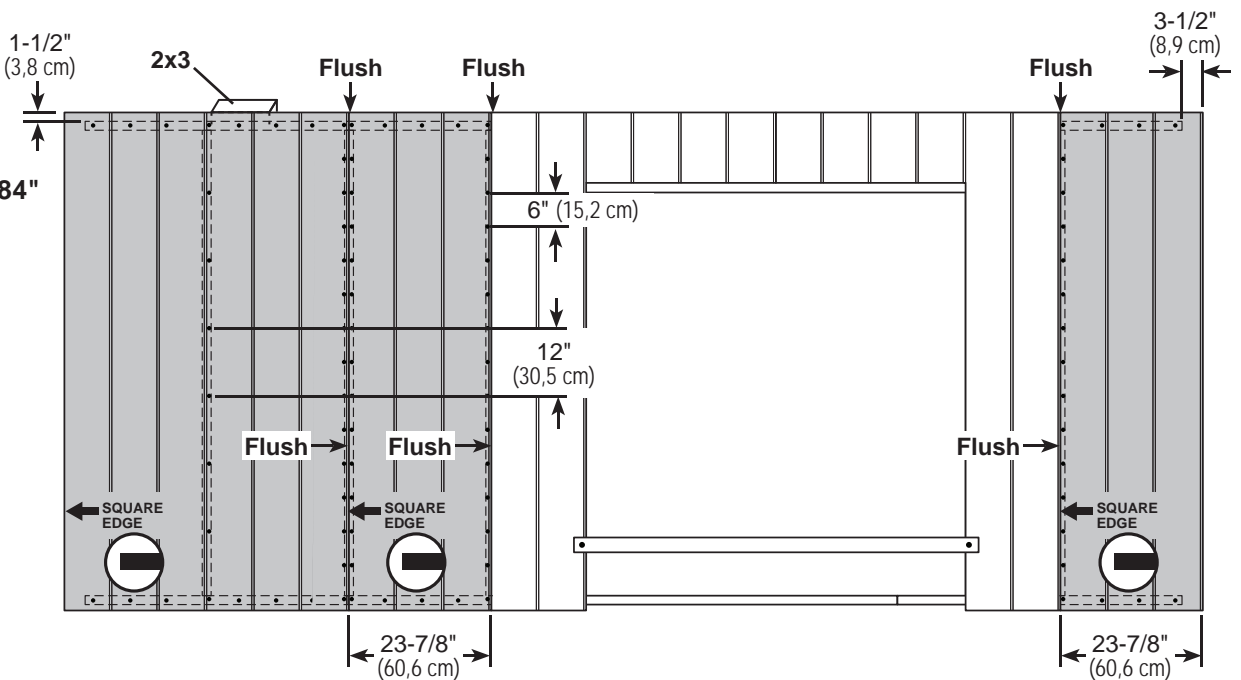


### 5

Install (2) 23-7/8" x 84" and (1) 48" x 84" panels flush to installed panels and 1-1/2" from the top plate.

Secure panels with 2" nails spaced 6" apart on edges.

**Note the panel lip-edge/square edge orientation.**

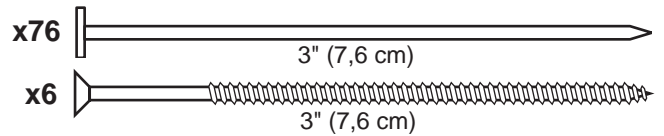


Your 16' WALL 11 is now assembled. Carefully flip the wall over.

# 16' WALL 12

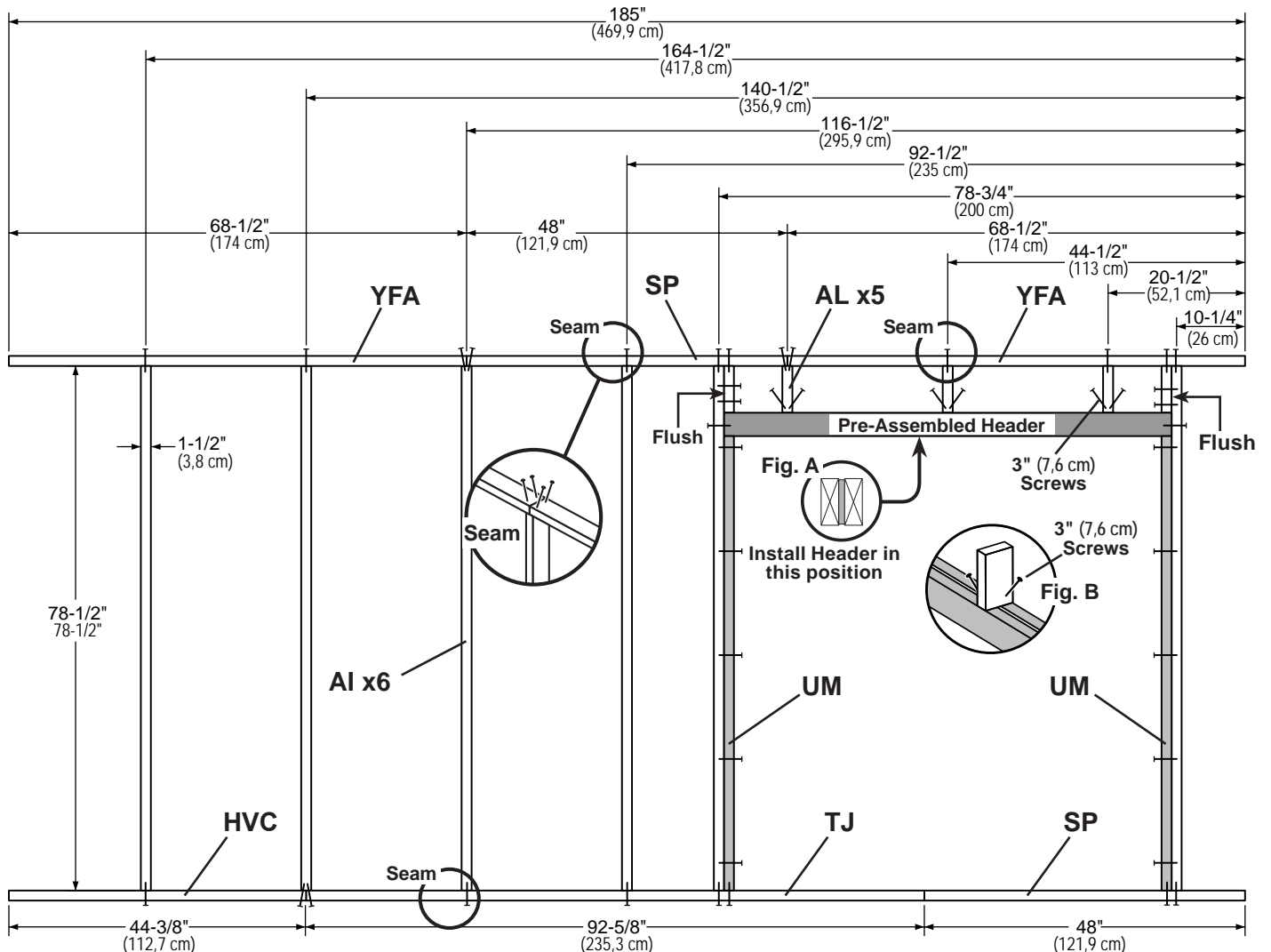
## PARTS REQUIRED:

x1	<b>HVC</b>	2 x 4 x 44-3/8" (5,1 x 10,2 x 112,7 cm)
x2	<b>SP</b>	2 x 4 x 48" (5,1 x 10,2 x 121,9 cm)
x2	<b>UM</b>	2 x 4 x 68" (5,1 x 10,2 x 172,7 cm)
x2	<b>YFA</b>	2 x 4 x 68-1/2" (5,1 x 10,2 x 174 cm)
x6	<b>AI</b>	2 x 4 x 78-1/2" (5,1 x 10,2 x 199,4 cm)
x1	<b>TJ</b>	2 x 4 x 92-5/8" (5,1 x 10,2 x 235,3 cm)
x1	<b>Pre Assembled Header</b>	
x5	<b>AL</b>	2 x 4 x 7" (5,1 x 10,2 x 17,8 cm)



### ✓ BEGIN

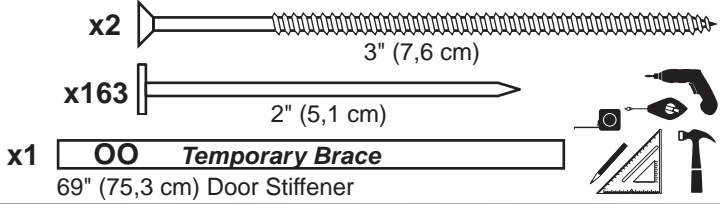
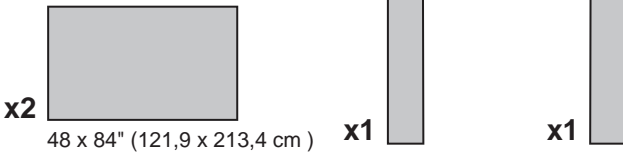
- 1** Orient parts on edge on floor as shown. Measure and mark from end of boards.  
Orient **Pre Assembled Header** on flat side (**Fig. A**).  
Secure with (2) 3" nails at each connection and (4) 3" nails at seams.
- 2** Fasten (3) middle parts **AL** to **Pre Assembled Header** with (2) 3" screws (**Fig. B**).  
Fasten (2) end **AL** to studs **AI** with (4) 3" nails at each side.  
Secure parts **AL** to top plates with (2) 3" nails at each connection and (4) 3" nails at seam.





# 16' WALL 12

## PARTS REQUIRED:



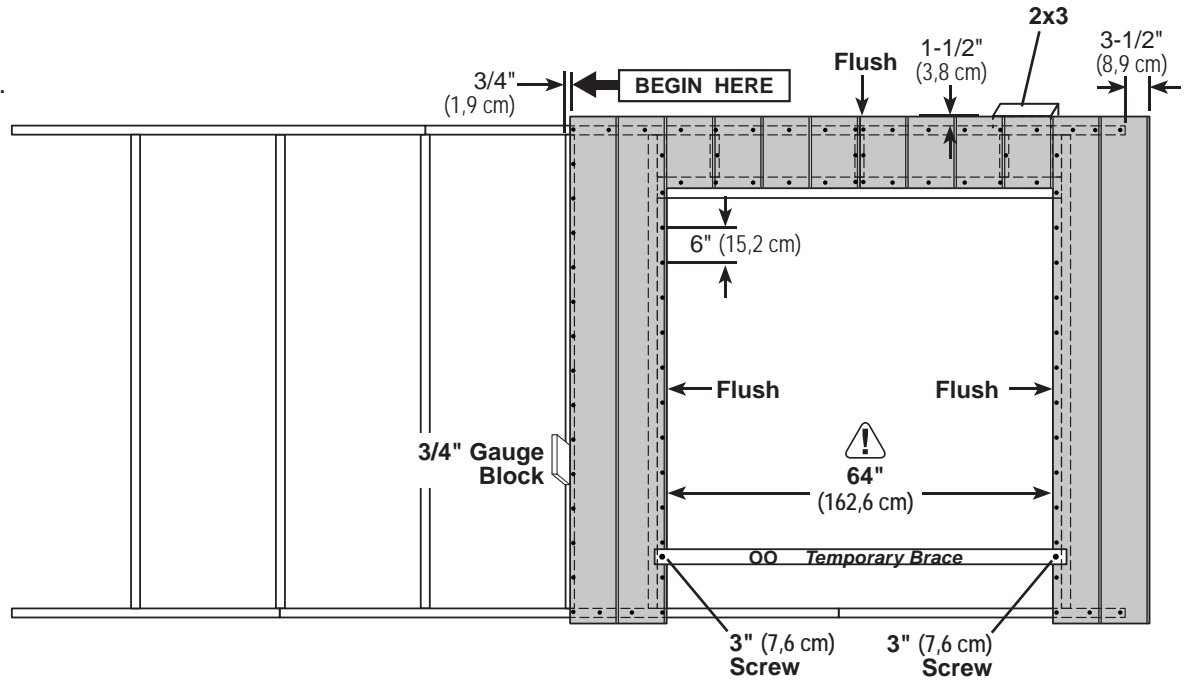
3

Install the left panel 1-1/2" from the top plate. Use a 2x3 spacer for consistent measurement.

Secure panel with 2" nails spaced 6" apart on edges.

4

Install the right panel flush to installed panel, as shown. Ensure 64" (162,8 cm) door measurement. Use part OO as a temporary brace. Secure with with (2) 3" screws.



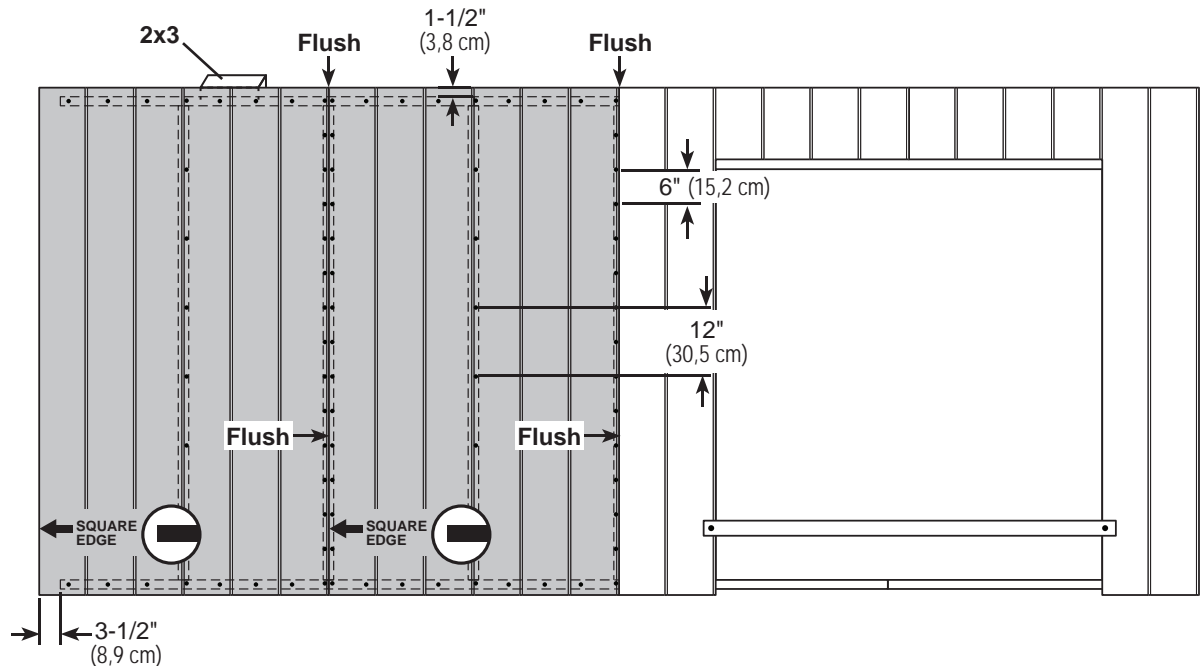
Secure panel with 2" nails spaced 6" apart on edges.

5

Install (2) 48" x 84" panels flush to installed panels and 1-1/2" from the top plate.

Secure panels with 2" nails spaced 6" apart on edges.

**Note the panel lip-edge/square edge orientation.**



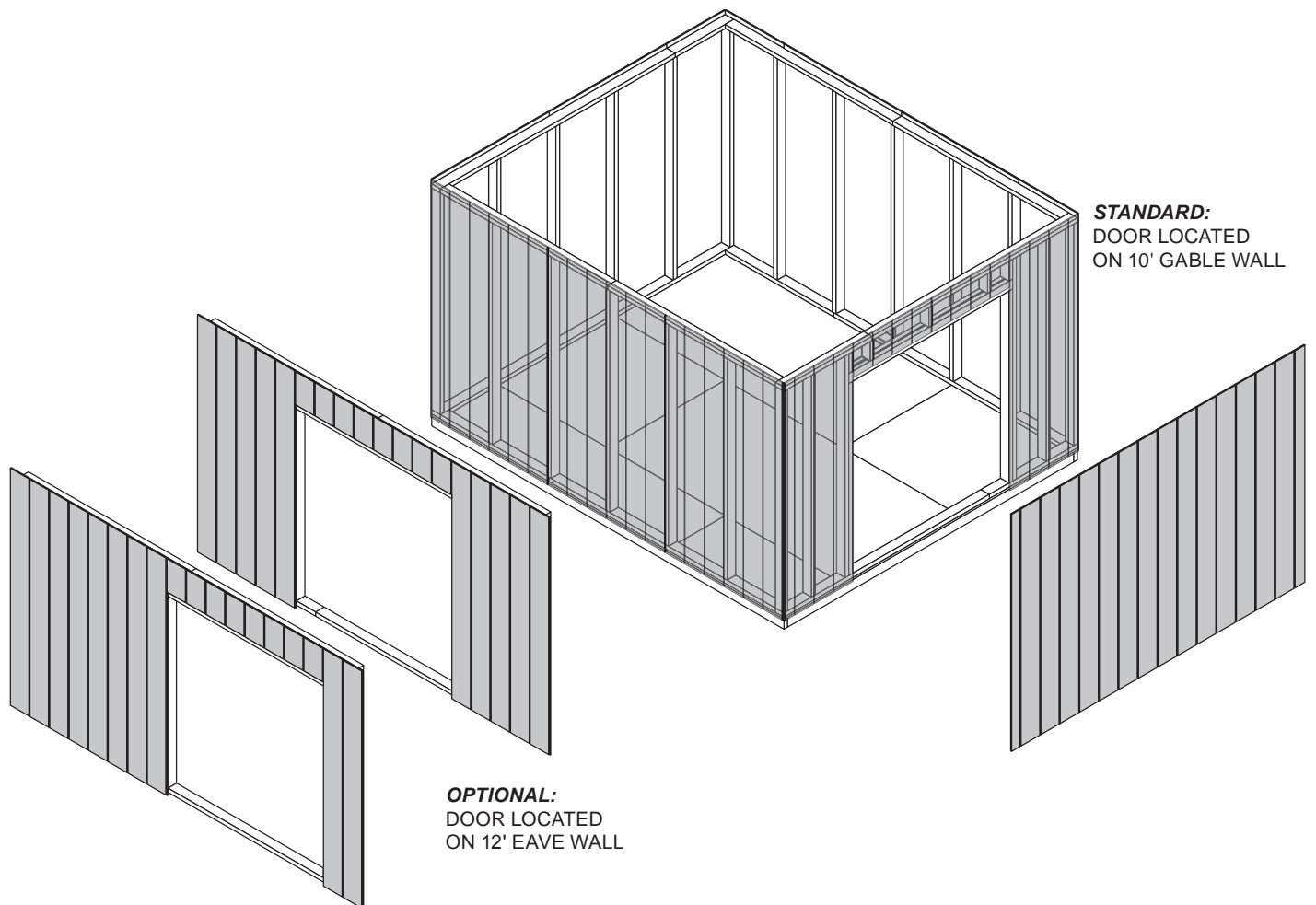
Your 16' WALL 12 is now assembled. Carefully flip the wall over.

## STANDING YOUR WALLS

The following steps show how to stand and secure your walls for a 10' x 12' shed.

These instructions are by default with the door on the 10' gable wall.

For 10' x 16' steps, start on page 48.



# 10' WALL INSTALLATION

## PARTS REQUIRED:

x1 **OO**  
69" (175,3 cm) Door Stiffener

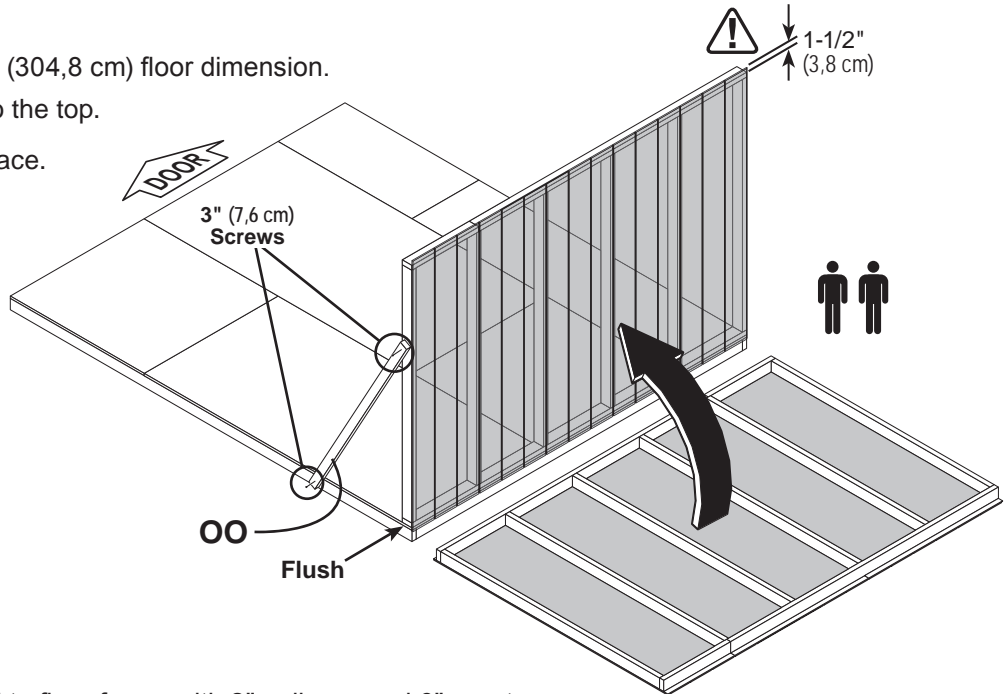


x10 3" (7,6 cm)  
x2 3" (7,6 cm)  
x23 2" (5,1 cm)

### ✓ BEGIN

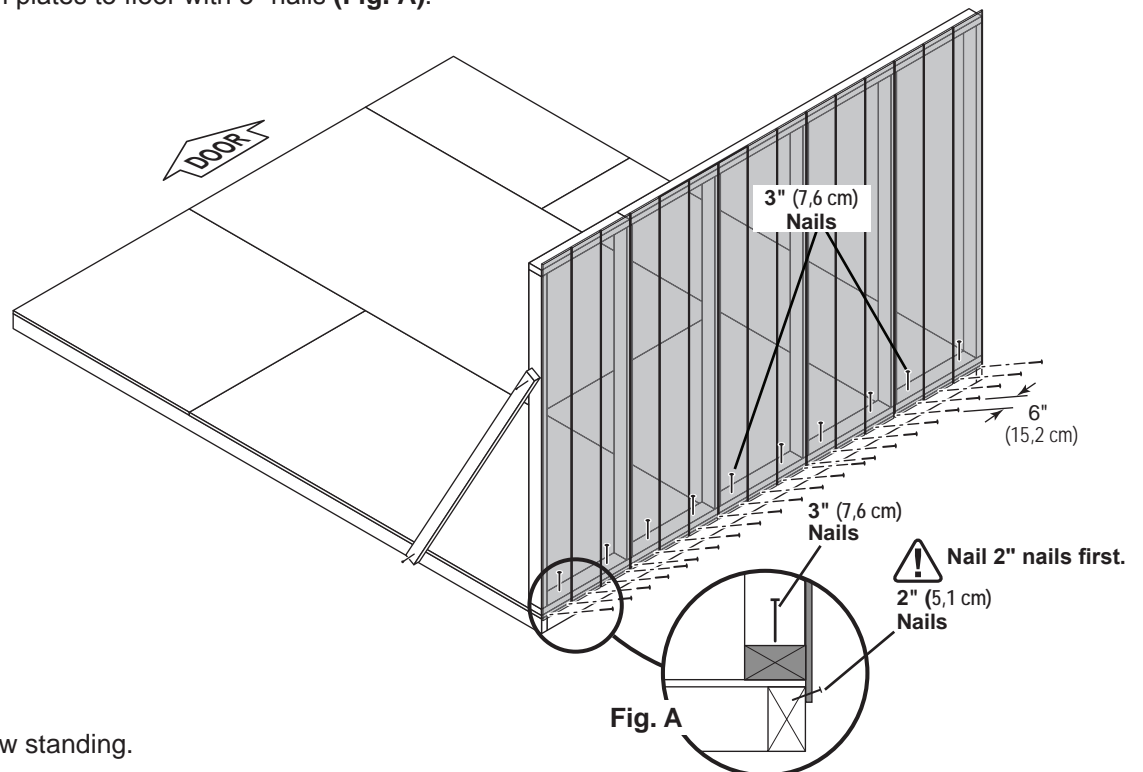
- Center 10' wall on the 120" (304,8 cm) floor dimension.  
1-1/2" (3,8 cm) overlap is to the top.

Use **OO** as a temporary brace.  
Secure with (2) 3" screws.



- Secure lower edge of panel to floor frame with 2" nails spaced 6" apart.  
Angle nails into floor frame (**Fig. A**).

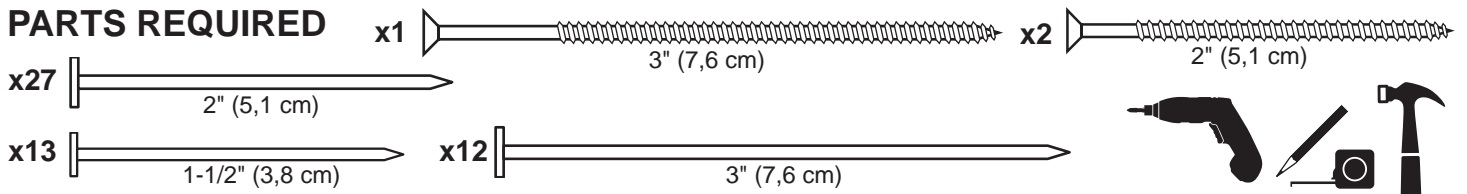
Secure wall bottom plates to floor with 3" nails (**Fig. A**).



Your 10' wall is now standing.

# 12' WALL INSTALLATION

## PARTS REQUIRED

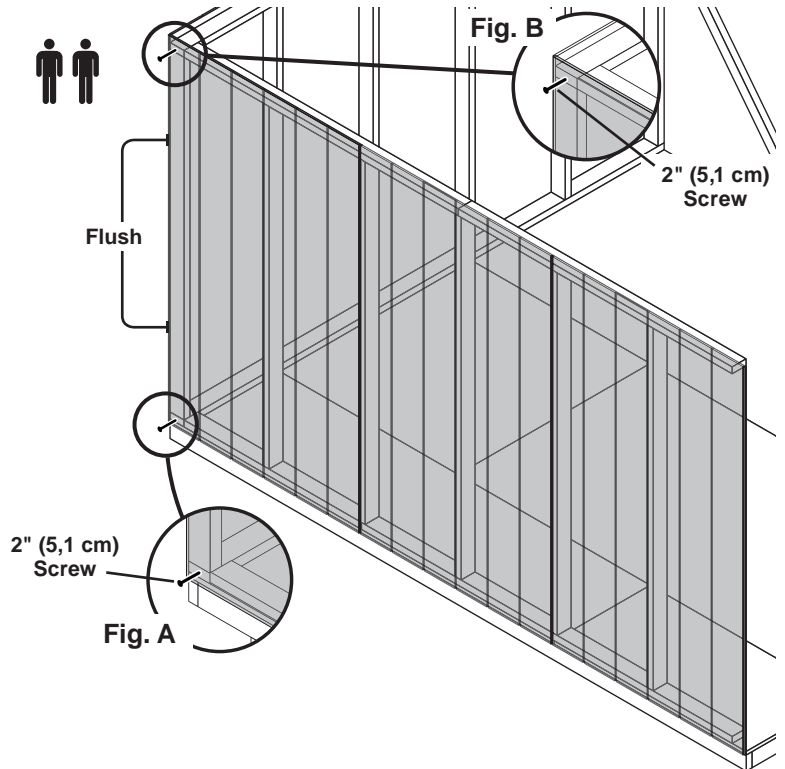
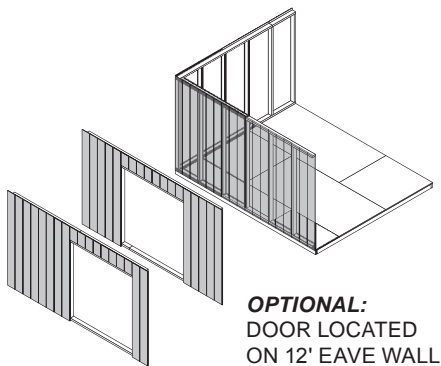


### ✓ BEGIN

- 1 Place 12' wall centered on floor.  
1-1/2" (3,8 cm) overlap is to the top.

Secure wall with (1) 2" screw into 10' wall bottom plate (**Fig. A**) and top plate (**Fig. B**).

**Secure wall to bottom plate first.**  
 **ENSURE PANEL CORNERS ARE FLUSH.**

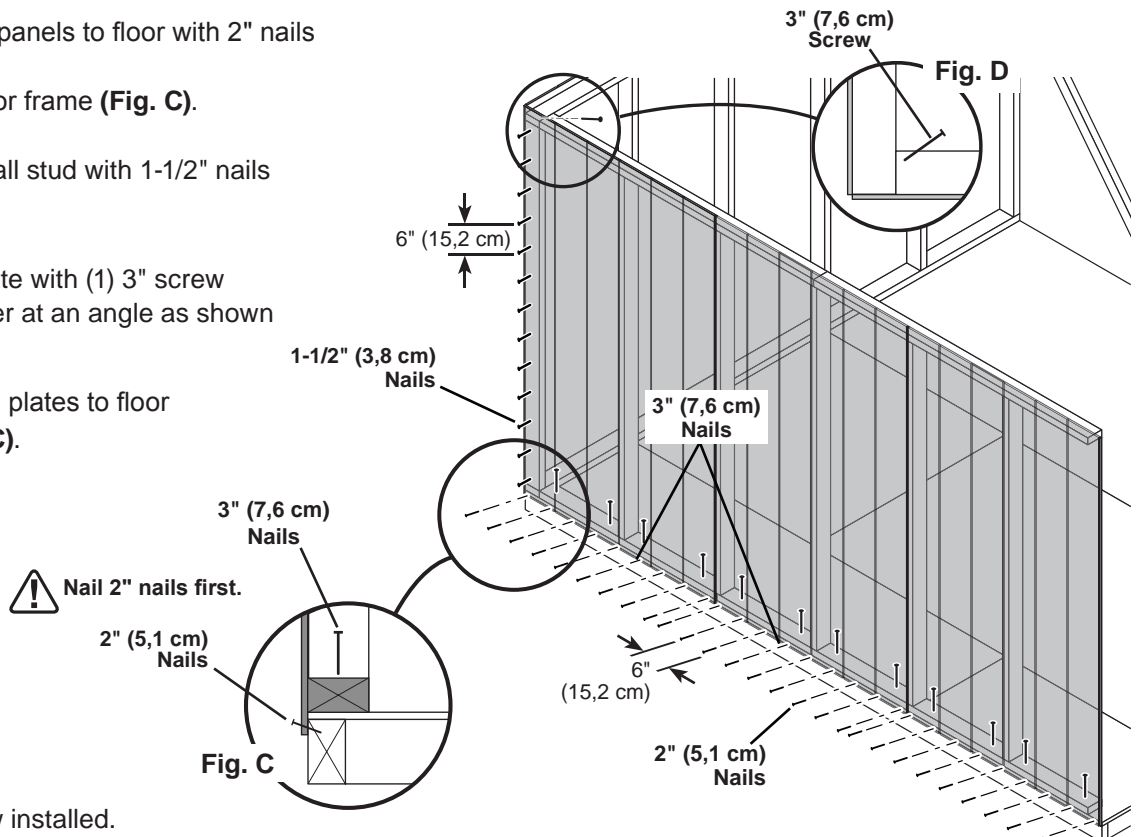


- 2 Nail lower edge of panels to floor with 2" nails spaced 6" apart.  
Angle nails into floor frame (**Fig. C**).

Nail panel to 10' wall stud with 1-1/2" nails spaced 6" apart.

- 3 Secure wall top plate with (1) 3" screw angled at the corner at an angle as shown (**Fig. D**).

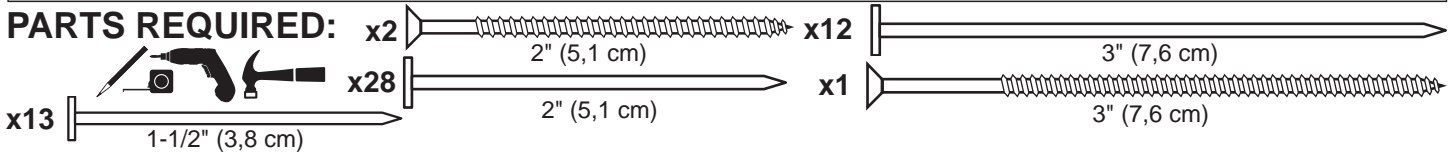
Secure wall bottom plates to floor with 3" nails (**Fig. C**).



Your 12' wall is now installed.

# 12' WALL INSTALLATION

## PARTS REQUIRED:



### ✓ BEGIN

- 1 Remove temporary brace OO from installed 10' wall.  
Place 12' wall centered on floor.  
1-1/2" (3,8 cm) overlap is to the top.

- 2 Secure wall with (1) 2" screw through gable wall panel into 10' wall bottom and top plates (**Fig. B, Fig. A**).  
**Secure wall to bottom plate first.**

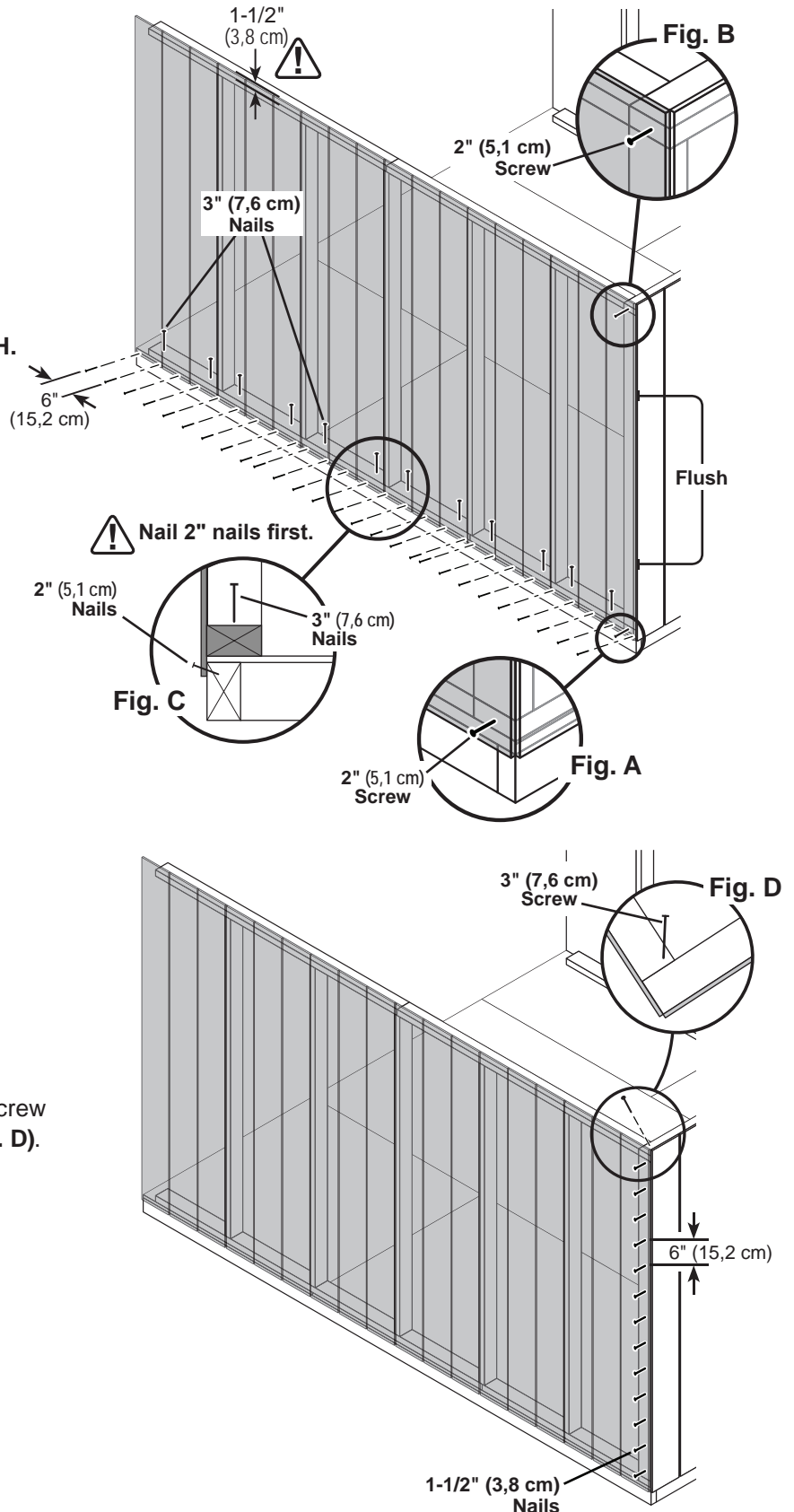
⚠ ENSURE PANEL CORNERS ARE FLUSH.

- 3 Nail lower edge of wall panels to floor frame with 2" nails spaced 6" apart.  
Angle nails into floor frame (**Fig. C**).

Secure wall bottom plates to floor with 3" nails (**Fig. C**).

- 4 Nail 12' wall panel to 10' wall stud with 1-1/2" nails spaced 6" apart.

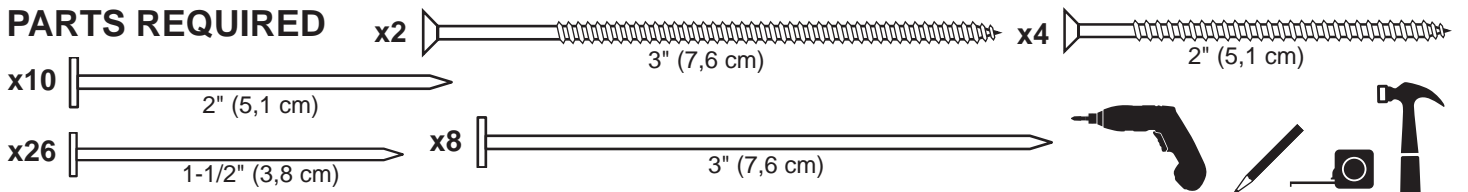
- 5 Secure gable wall top plate with (1) 3" screw at the corner at an angle as shown (**Fig. D**).



Your 2nd 12' wall is now installed.

# 10' WALL INSTALLATION

## PARTS REQUIRED



### ✓ BEGIN

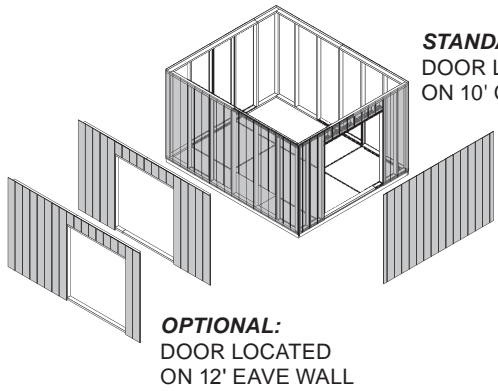
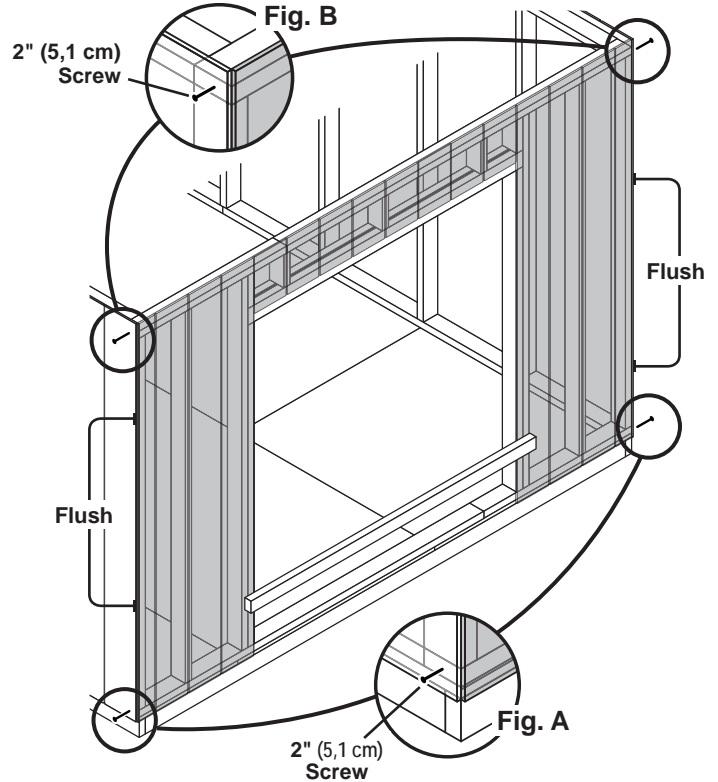


**1** Place 10' wall on floor centered between 12' walls.

Secure wall with 2" screws into top and bottom plates (**Fig. A, Fig. B**).

*Secure wall to bottom plate first.*

**⚠ ENSURE PANEL CORNERS ARE FLUSH. ⚠**

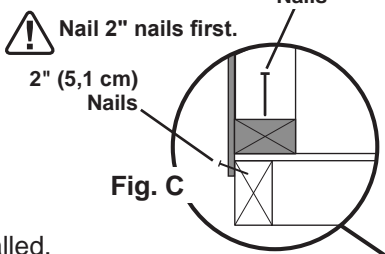
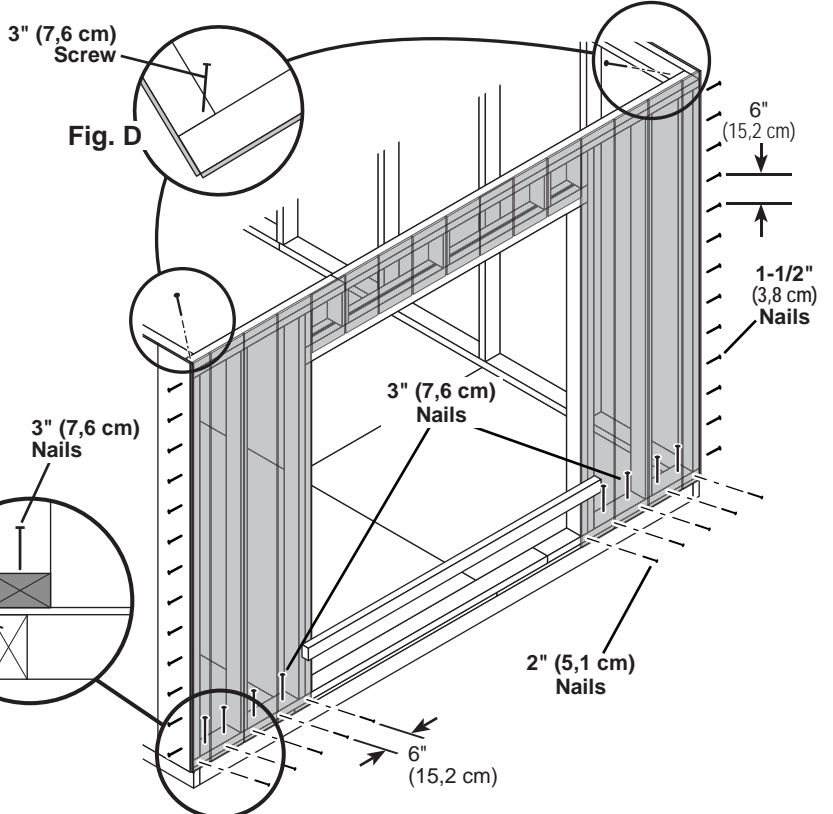


**2** Nail lower edge of panels to floor with 2" nails spaced 6" apart. Angle nails into floor frame (**Fig. C**).

Nail panels to 10' wall studs with 1-1/2" nails spaced 6" apart.

**3** Secure wall top plates with 3" screws at each corner at an angle (**Fig. D**).

Secure wall bottom plates to floor with 3" nails (**Fig. C**).



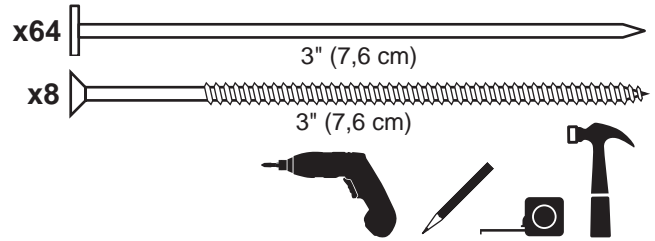
**FINISH**  
Your walls are now installed.

**CUT OUT AND REMOVE BOTTOM PLATE AT DOOR OPENING.**

# 10' x 12' WALL DOUBLERS INSTALLATION

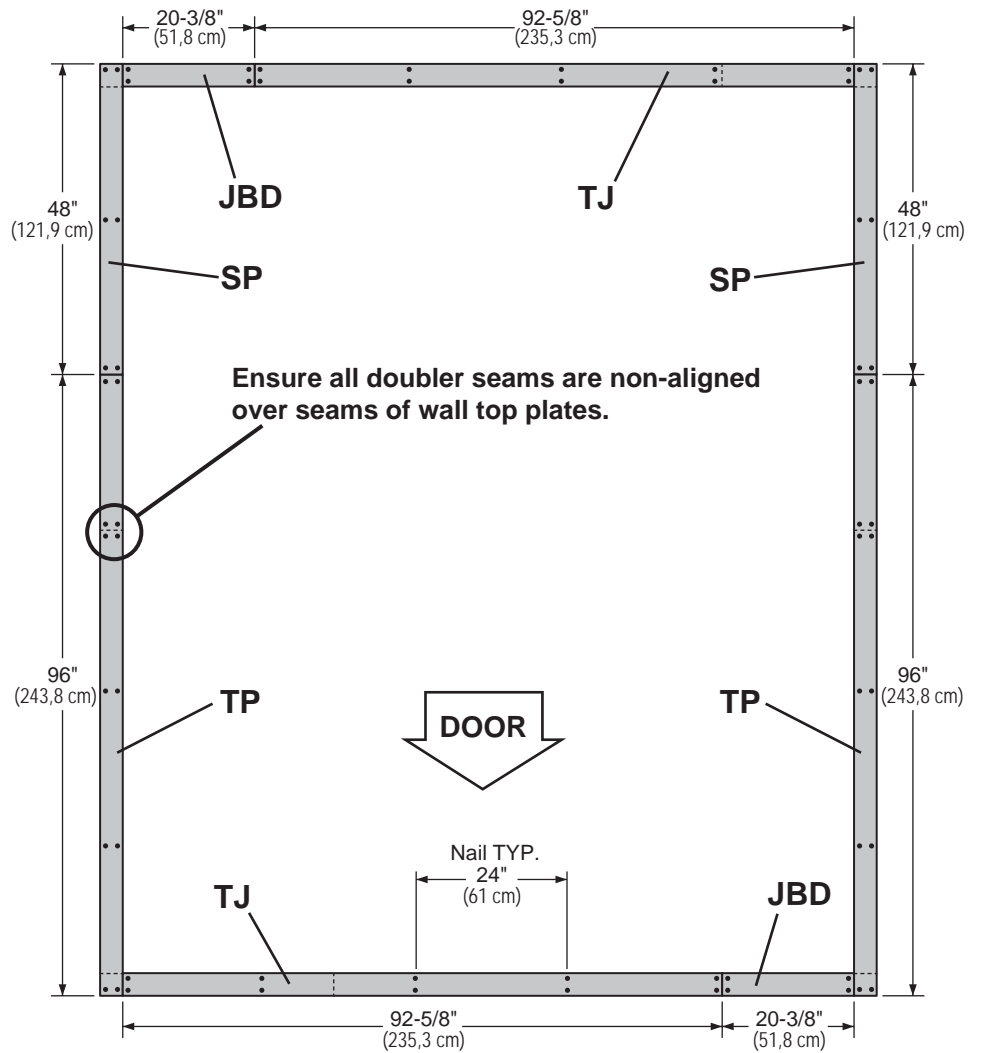
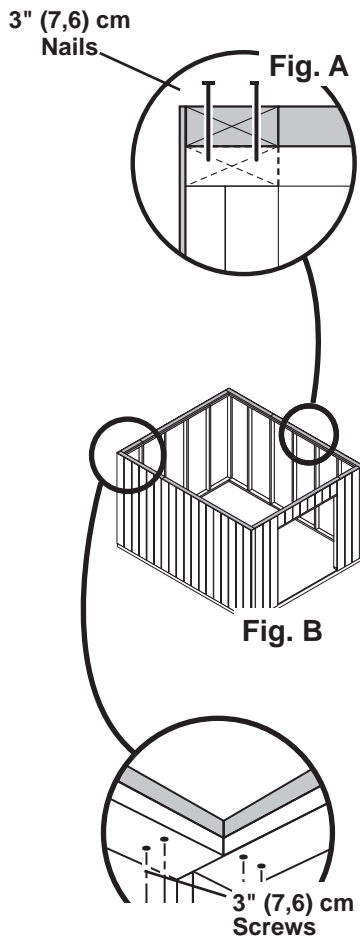
## PARTS REQUIRED:

- x2 **SP**  
2 x 4 x 48" (5,1 x 10,2 x 121,9 cm)
- x2 **JBD**  
2 x 4 x 20-3/8" (5,1 x 10,2 x 51,8 cm)
- x2 **TJ**  
2 x 4 x 92-5/8" (5,1 x 10,2 x 235 cm)
- x2 **TP**  
2 x 4 x 96" (5,1 x 10,2 x 243,8 cm)



### ✓ BEGIN

- 1 Orient parts on top of wall frames. Secure from top with (2) 3" nails spaced every 24" (Fig. A).
- 2 Secure from bottom with (2) 3" screws at each corner (Fig. B).



### FINISH

Your wall doublers are now installed.

CONTINUE TO PAGE 54 TO RESUME CONSTRUCTION OF 10' X 12' SHED.



# 10' WALL INSTALLATION

## PARTS REQUIRED:

x1 **OO**  
69" (175,3 cm) Door Stiffener



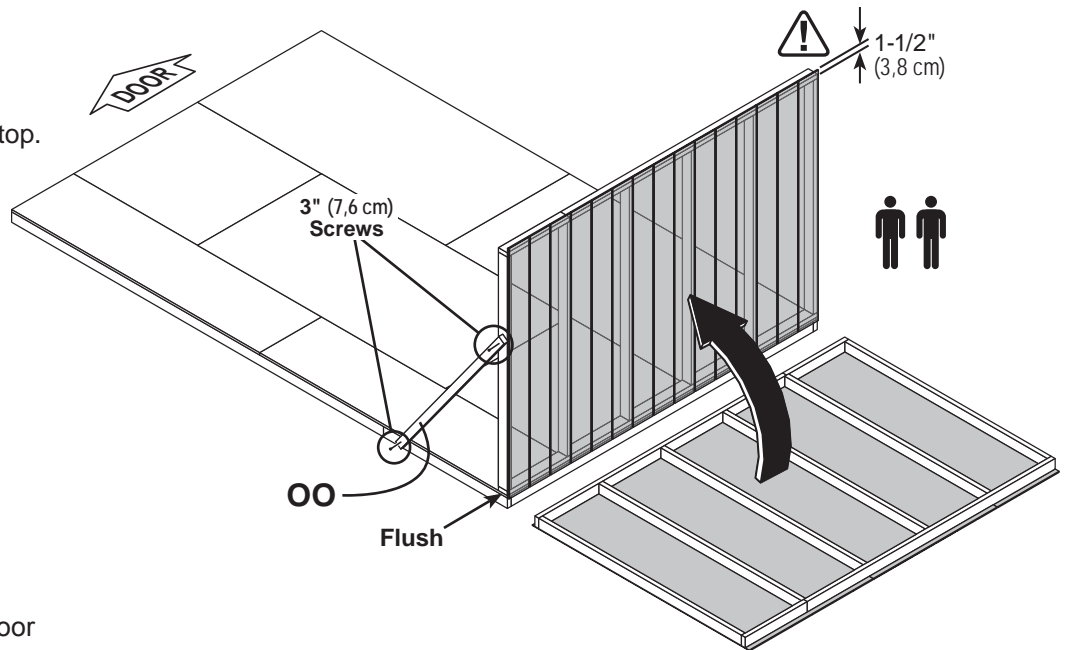
x10 3" (7,6 cm)  
x2 3" (7,6 cm)  
x23 2" (5,1 cm)

### ✓ BEGIN

1

Center 10' wall on the 120" (304,8 cm) floor dimension.  
1-1/2" (3,8 cm) overlap is to the top.

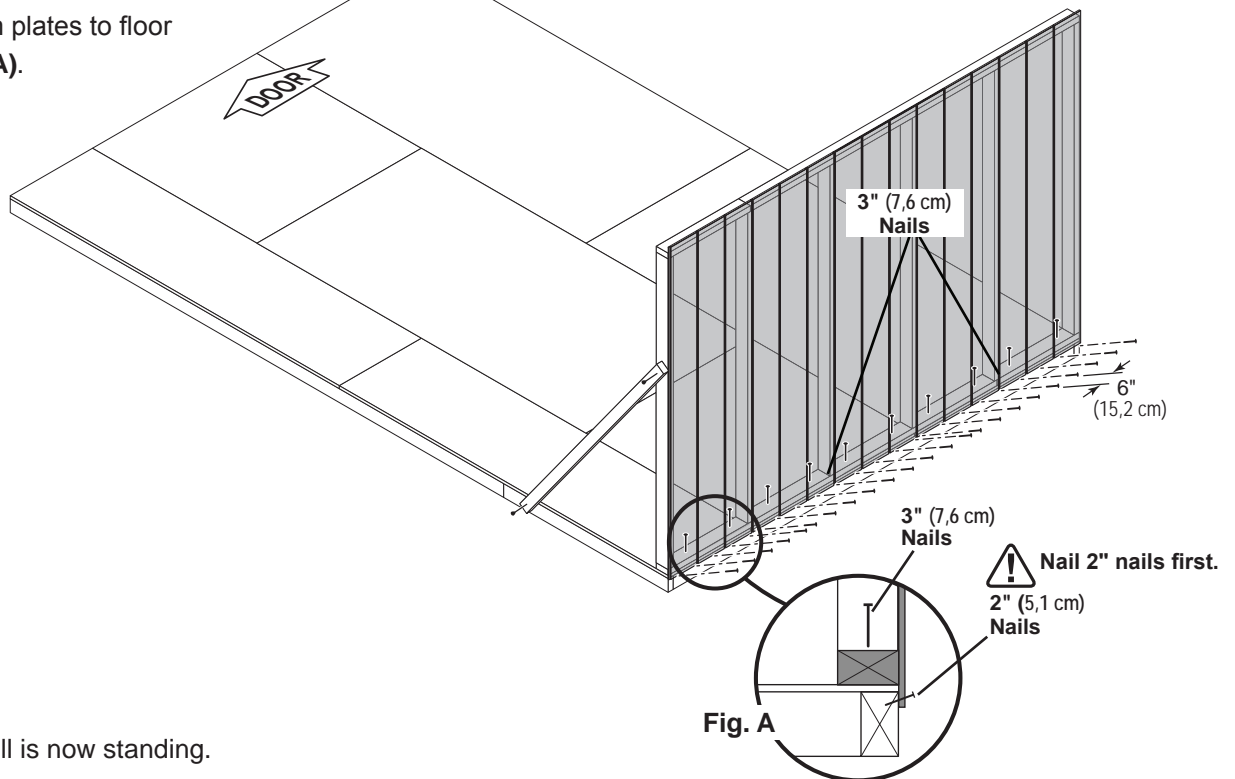
Use **OO** as a temporary brace.  
Secure with (2) 3" screws.



2

Secure lower edge of panel to floor frame with 2" nails spaced 6" apart.  
Angle nails into floor frame (**Fig. A**).

Secure wall bottom plates to floor with 3" nails (**Fig. A**).

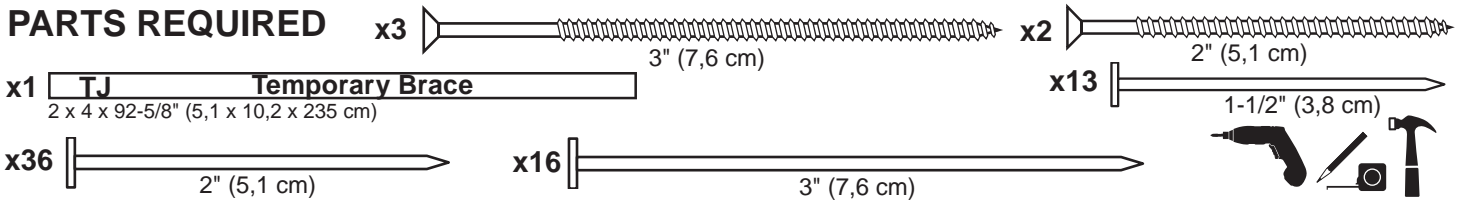


Your 10' wall is now standing.



# 16' WALL INSTALLATION

## PARTS REQUIRED



### ✓ BEGIN 1

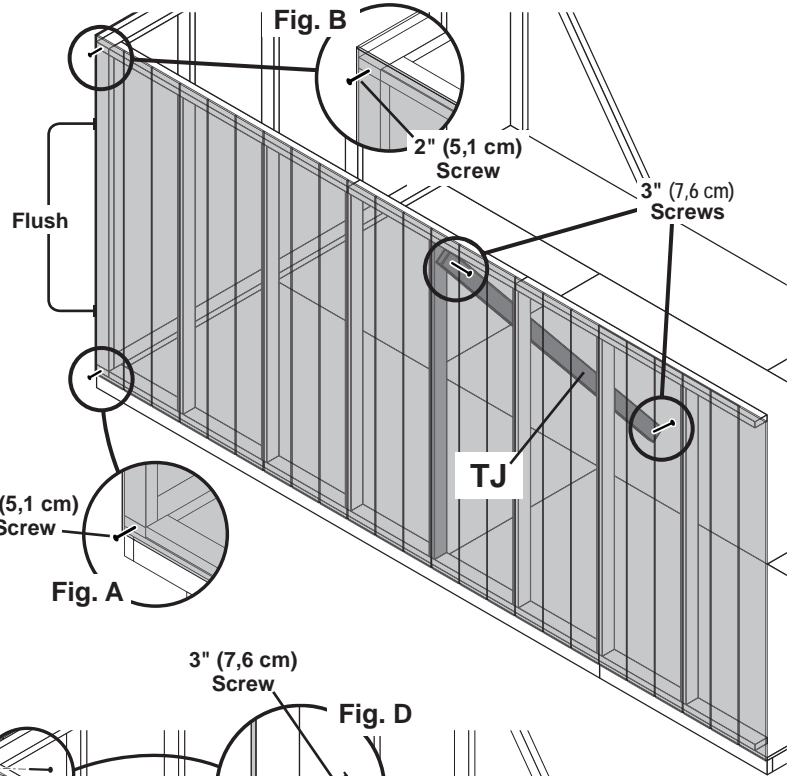
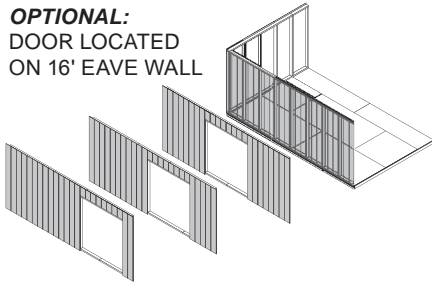
Place 16' wall centered on floor.  
The 1-1/2" (3,8 cm) overlap is to the top.  
Use TJ as a temporary brace as shown.  
Secure TJ with (2) 3" screws.

Secure wall with (1) 2" screw into 10' wall bottom plate (Fig. A) and top plate (Fig. B).

**Secure wall to bottom plate first.**

**⚠ ENSURE PANEL CORNERS ARE FLUSH.**

**OPTIONAL:**  
DOOR LOCATED  
ON 16' EAVE WALL



### 2

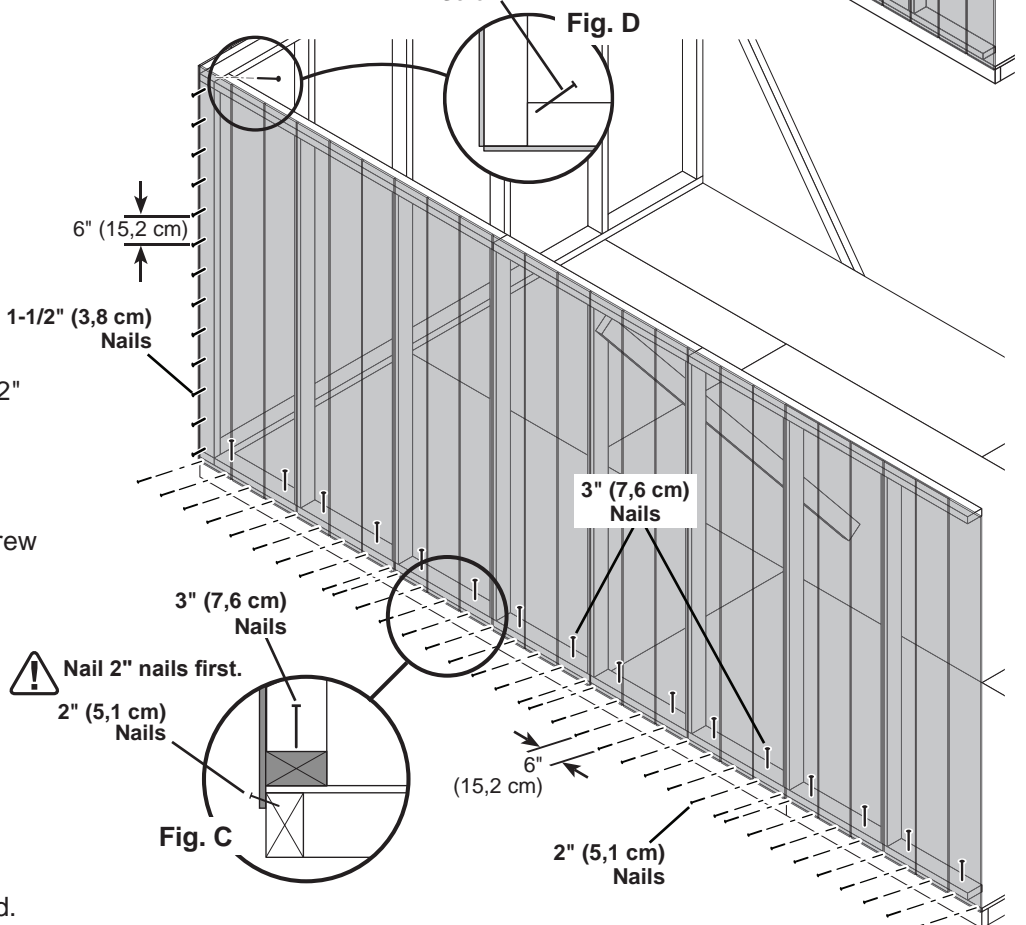
Nail lower edge of panels to floor with 2" nails spaced 6" apart.  
Angle nails into floor frame (Fig. C).

Nail panel to 10' wall stud with 1-1/2" nails spaced 6" apart.

### 3

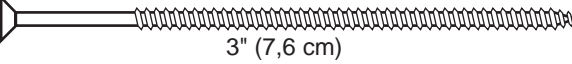
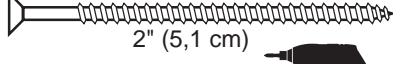

Secure wall top plate with (1) 3" screw at the corner at an angle as shown (Fig. D).


Secure wall bottom plates to floor with 3" nails (Fig. C).



Your 16' wall is now installed.

# 16' WALL INSTALLATION

**PARTS REQUIRED:** x2  3" (7,6 cm) x2  2" (5,1 cm) 

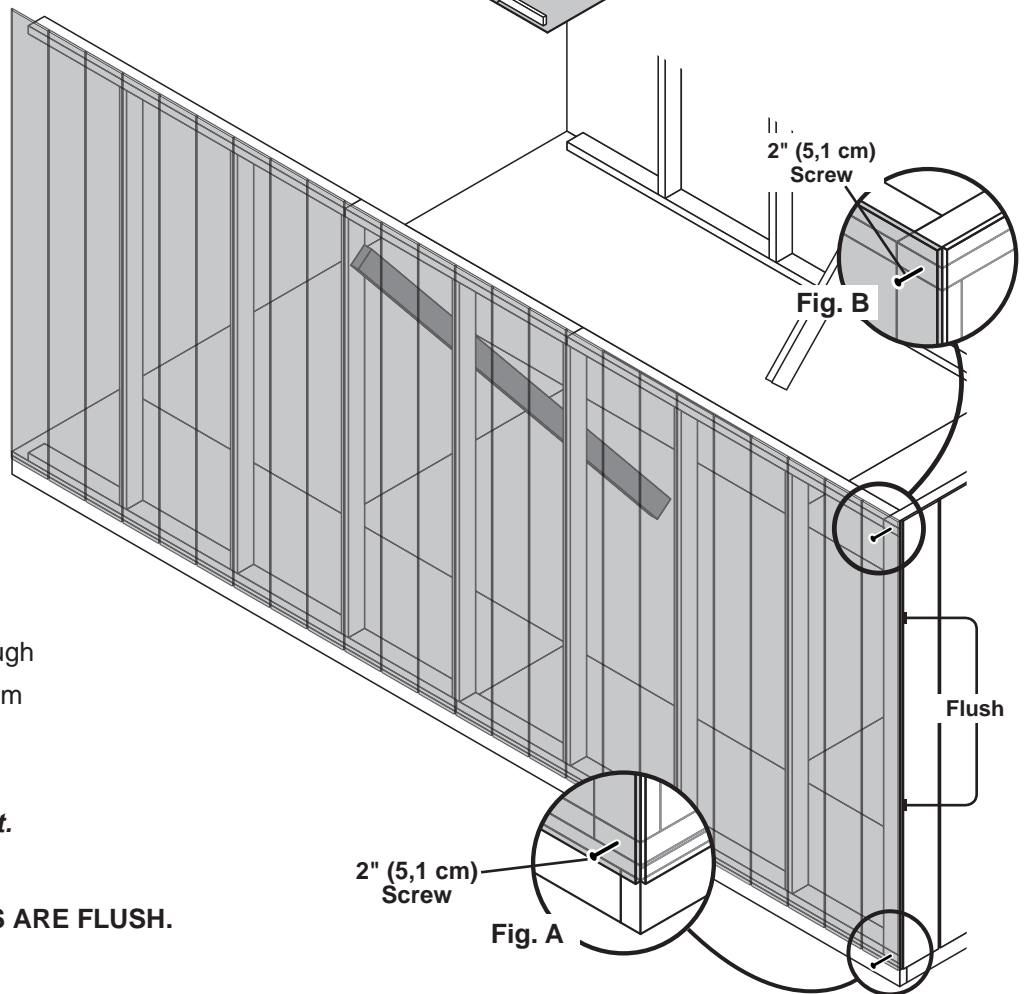
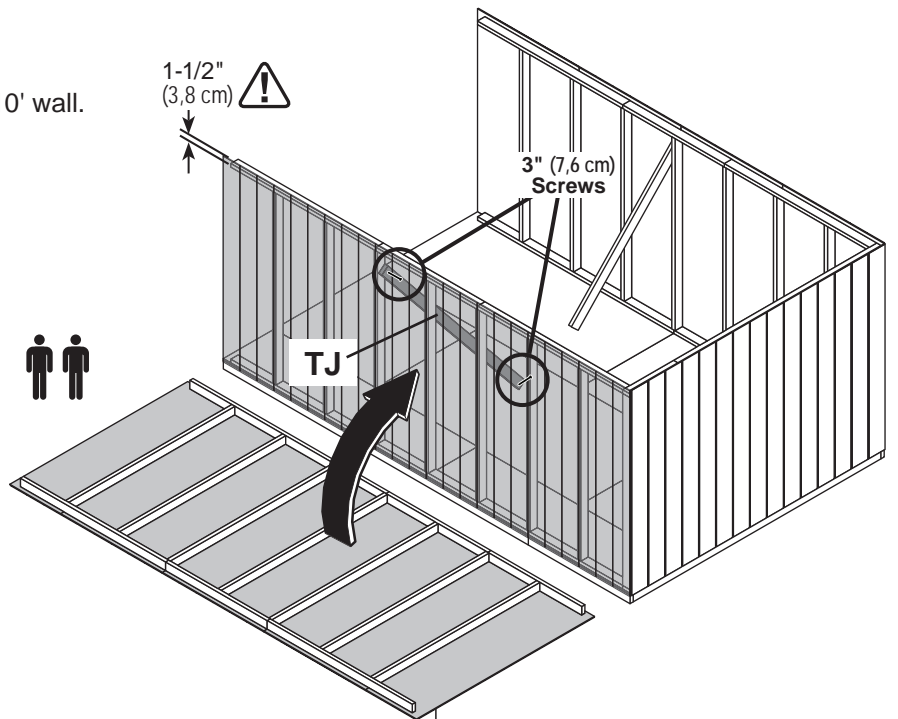
x1  **TJ Temporary Brace**  
2 x 4 x 92-5/8" (5,1 x 10,2 x 235 cm)

✓ **BEGIN**  
**1**

Remove temporary brace **OO** from installed 10' wall.

Place 16' wall centered on floor.  
1-1/2" (3,8 cm) overlap is to the top.

Use **TJ** as a temporary brace as shown.  
Secure **TJ** with (2) 3" screws.



**2**

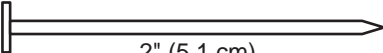
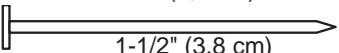
Secure wall with (1) 2" screw through gable wall panel into 10' wall bottom and top plates (**Fig. A**, **Fig. B**).

*Secure wall to bottom plate first.*

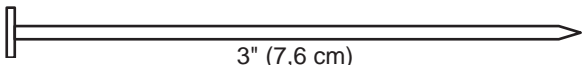

 **ENSURE PANEL CORNERS ARE FLUSH.**

# 16' WALL INSTALLATION

## PARTS REQUIRED:

- x37  2" (5,1 cm)
- x13  1-1/2" (3,8 cm)

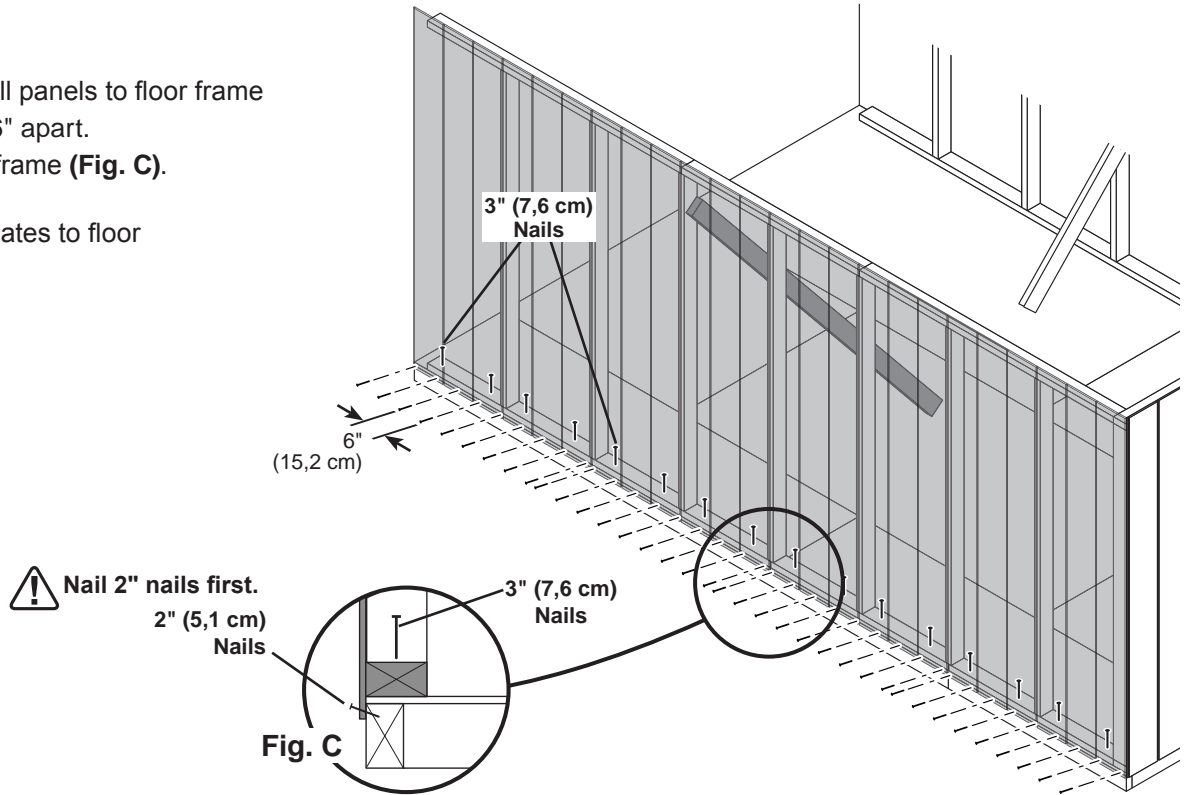


- x16  3" (7,6 cm)
- x1  3" (7,6 cm)

**3**

Nail lower edge of wall panels to floor frame with 2" nails spaced 6" apart. Angle nails into floor frame (**Fig. C**).

Secure wall bottom plates to floor with 3" nails (**Fig. C**).

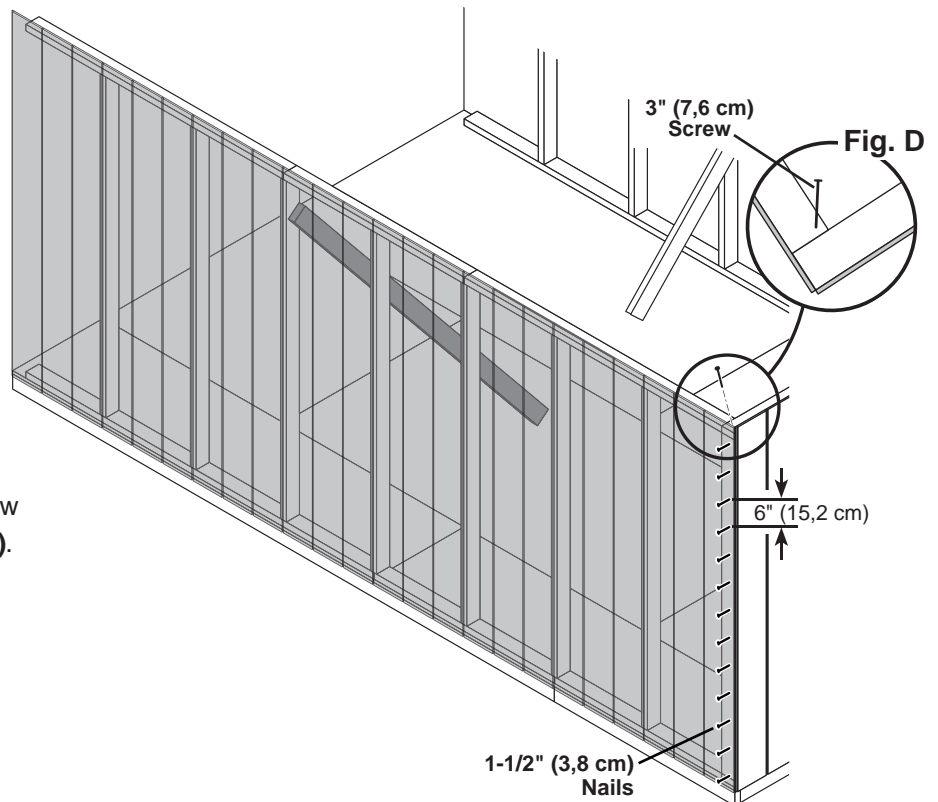


**4**

Nail 12' wall panel to 10' wall stud with 1-1/2" nails spaced 6" apart.

**5**

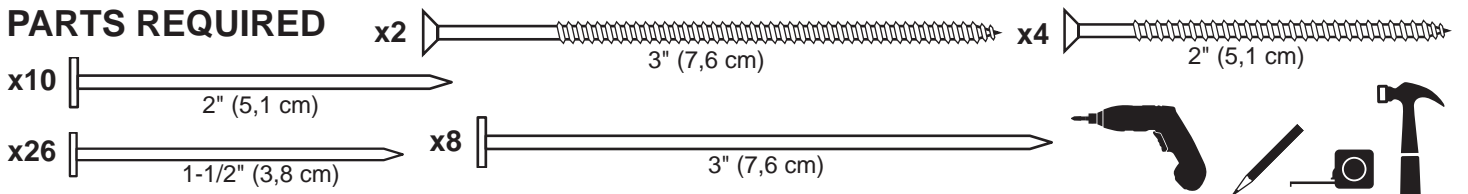
Secure gable wall top plate with (1) 3" screw at the corner at an angle as shown (**Fig. D**).



Your 2nd 16' wall is now installed.

# 10' WALL INSTALLATION

## PARTS REQUIRED



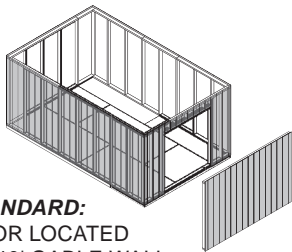
### ✓ BEGIN

**1** Place 10' wall on floor centered between 16' walls.

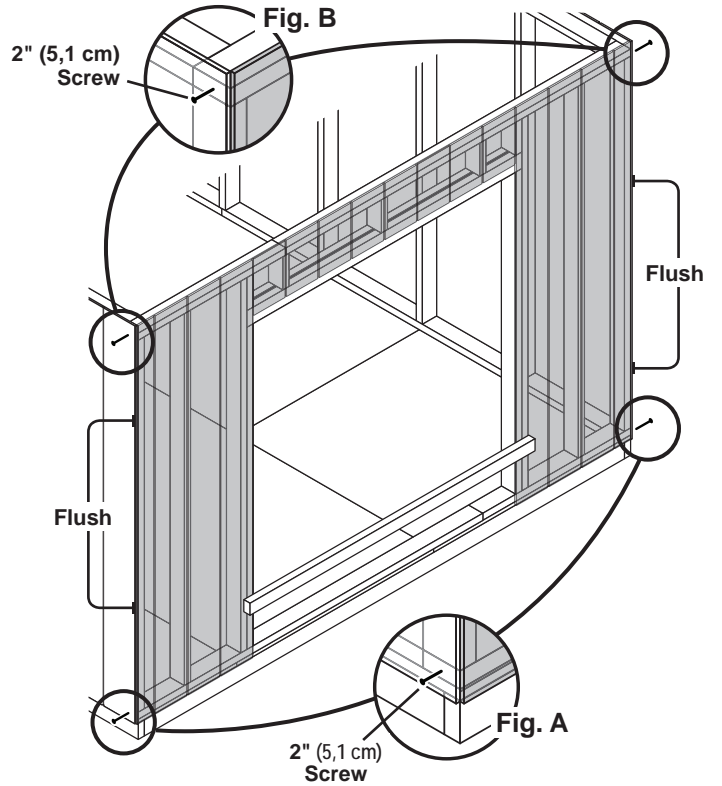
Secure wall with 2" screws into top and bottom plates (Fig. A, Fig. B).

*Secure wall to bottom plate first.*

⚠ ENSURE PANEL CORNERS ARE FLUSH. ⚠



**STANDARD:**  
DOOR LOCATED  
ON 10' GABLE WALL

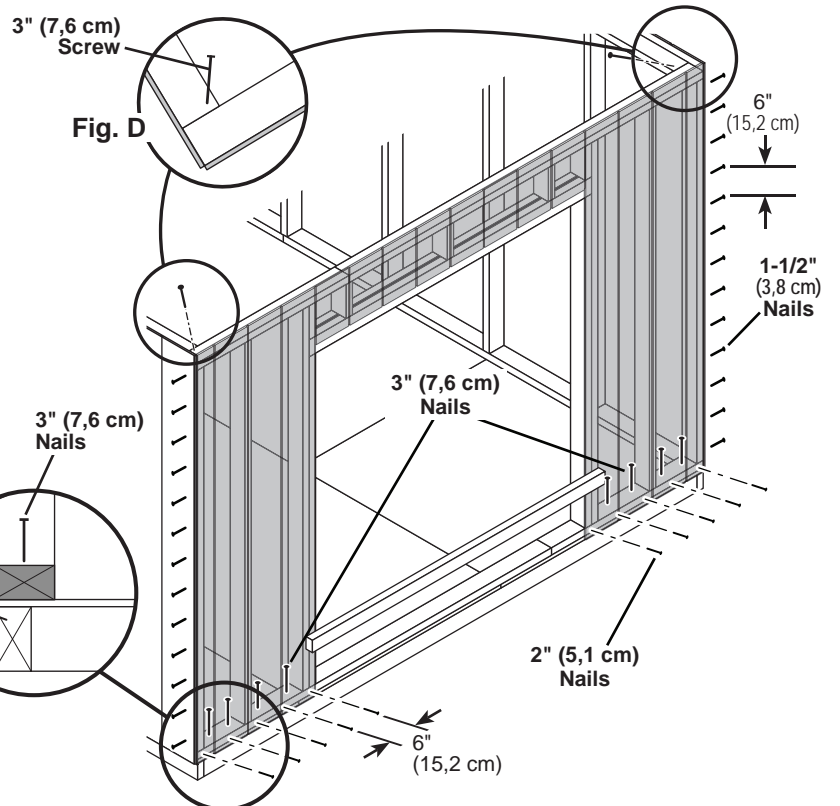


**2** Nail lower edge of panels to floor with 2" nails spaced 6" apart.  
Angle nails into floor frame (Fig. C).

Nail panels to 10' wall studs with 1-1/2" nails spaced 6" apart.

**3** Secure wall top plates with 3" screws at each corner at an angle (Fig. D).

Secure wall bottom plates to floor with 3" nails (Fig. C).



⚠ Nail 2" nails first.

2" (5.1 cm) Nails

3" (7.6 cm) Nails

Fig. C



FINISH

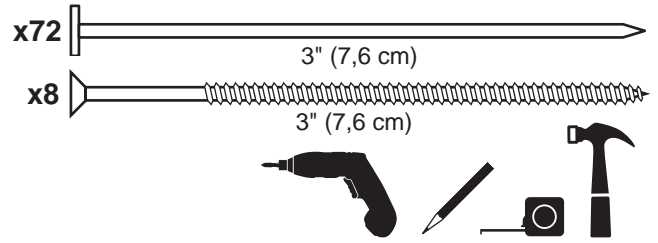
Your walls are now installed.

**CUT OUT AND REMOVE BOTTOM PLATE  
AT DOOR OPENING.  
REMOVE TEMPORARY BRACING.**

# 10' x 16' WALL DOUBLERS INSTALLATION

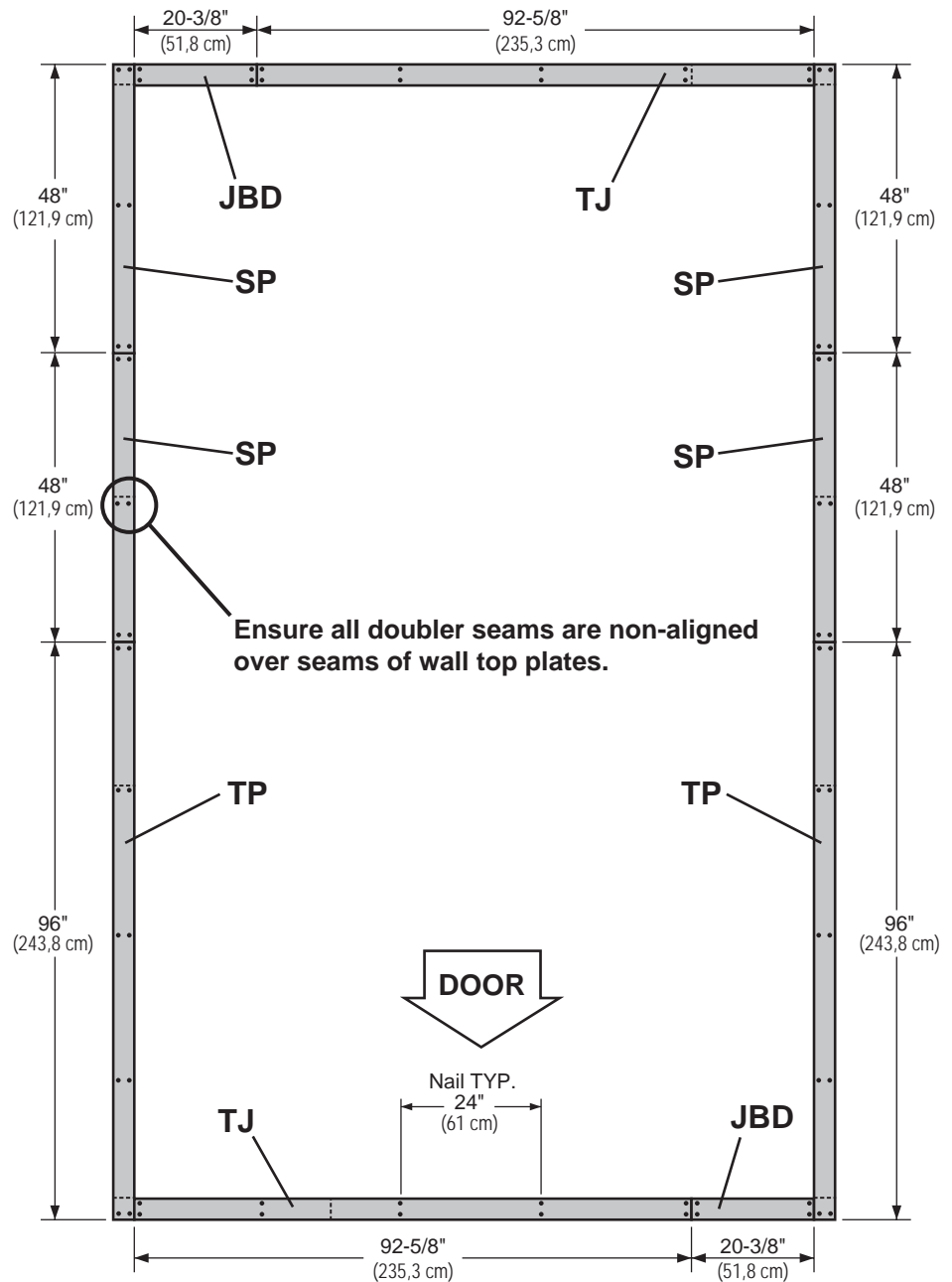
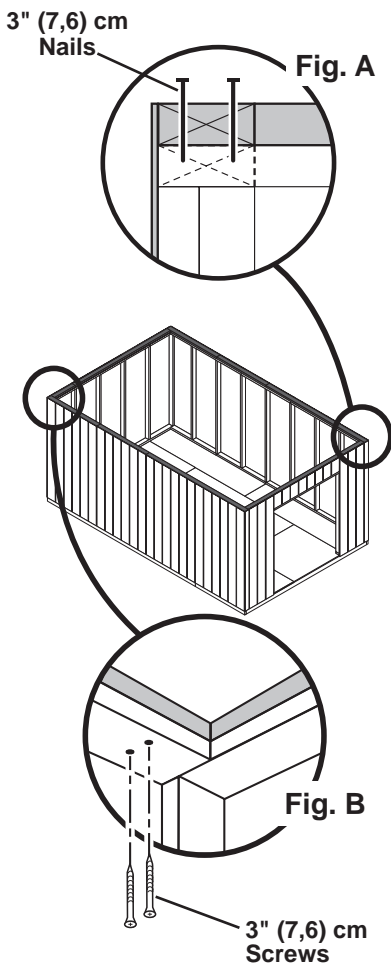
## PARTS REQUIRED:

- x4 **SP**  
2 x 4 x 48" (5,1 x 10,2 x 121,9 cm)
- x2 **JBD**  
2 x 4 x 20-3/8" (5,1 x 10,2 x 51,8 cm)
- x2 **TJ**  
2 x 4 x 92-5/8" (5,1 x 10,2 x 235 cm)
- x2 **TP**  
2 x 4 x 96" (5,1 x 10,2 x 243,8 cm)



### ✓ BEGIN

- 1 Orient parts on top of wall frames. Secure from top with (2) 3" nails spaced every 24" (Fig. A).
- 2 Secure from bottom with (2) 3" screws at each corner (Fig. B).



Your wall doublers are now installed.

10x12' 10x16'

# RAFTERS

## PARTS REQUIRED:

x12

x16

6 x 24" (15,2 x 60,9 cm)

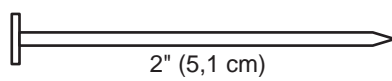
x14

x18



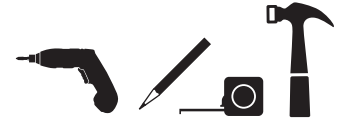
x144

x192



x2 3" (7,6 cm)

x1 **RL** Temporary Support  
2 x 4 x 24" (5,1 x 10,2 x 61 cm)



### Build (2) rafter assemblies with(1) gusset (Fig. B).

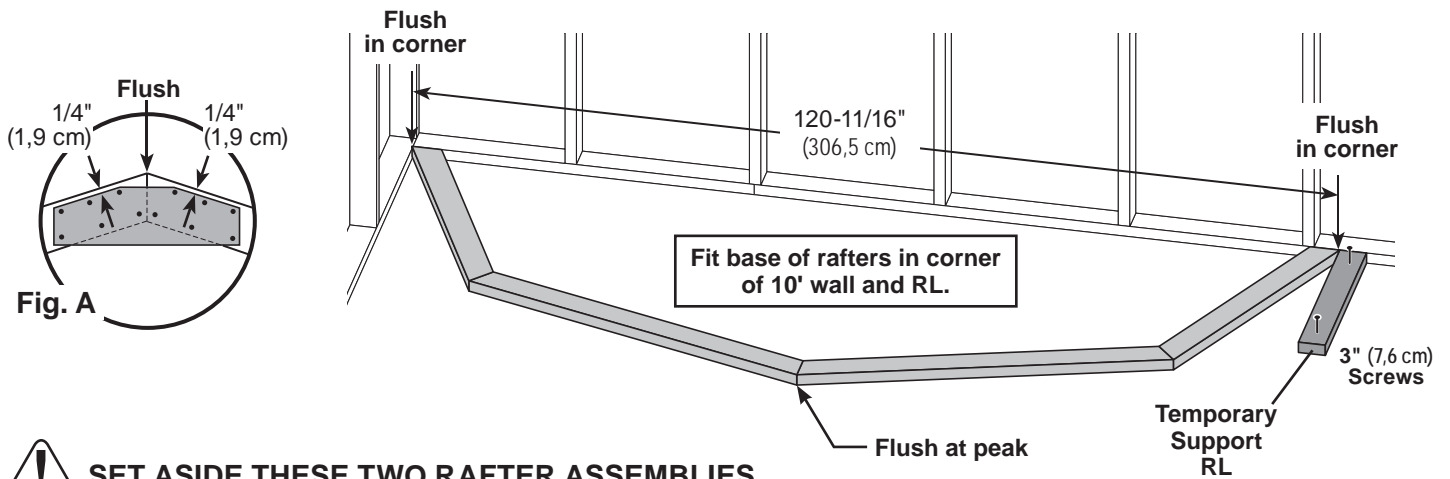
#### ✓ BEGIN



#### HINT:

Use floor and walls to help assemble rafters!

- 1 Measure 120-11/16 (306,5 cm) from the corner and install RL with (2) 3" screws. Place two rafter-halves on floor and flush in the corners of wall and RL. Flush rafters at peak. Secure gusset to rafters with 2" nails following the pattern shown (Fig. A).



**SET ASIDE THESE TWO RAFTER ASSEMBLIES.**

### Depending on your shed size, build 5 or 7 rafter assemblies with (2) gussets (Fig. C).

- 2 Place two rafter-halves on floor and flush in the corners of wall and RL, as shown in STEP - 1. Flush rafters at peak. Secure gusset to rafters with 2" nails following the pattern shown (Fig. A).
- 3 Flip over rafter assembly and fasten second gusset to other side with 2" nails (Fig. C).

Fig. B - Build 2

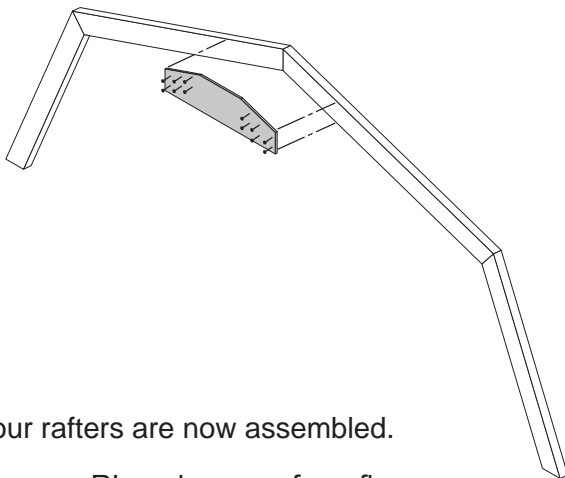
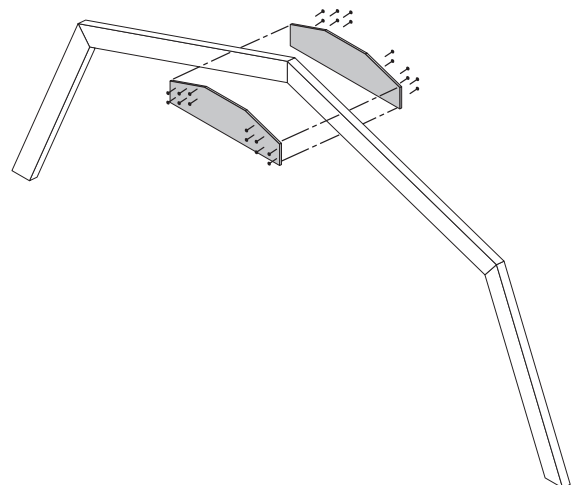


Fig. C - Build 5 or 7



#### FINISH

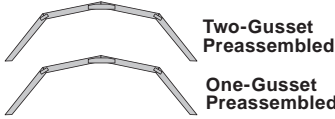
Your rafters are now assembled.  
Remove RL and screws from floor.

**10x12' 10x16' RAFTER INSTALLATION**

**PARTS REQUIRED:**



- |            |            |
|------------|------------|
| <b>x5</b>  | <b>x7</b>  |
| <b>x2</b>  | <b>x2</b>  |
| <b>x28</b> | <b>x36</b> |

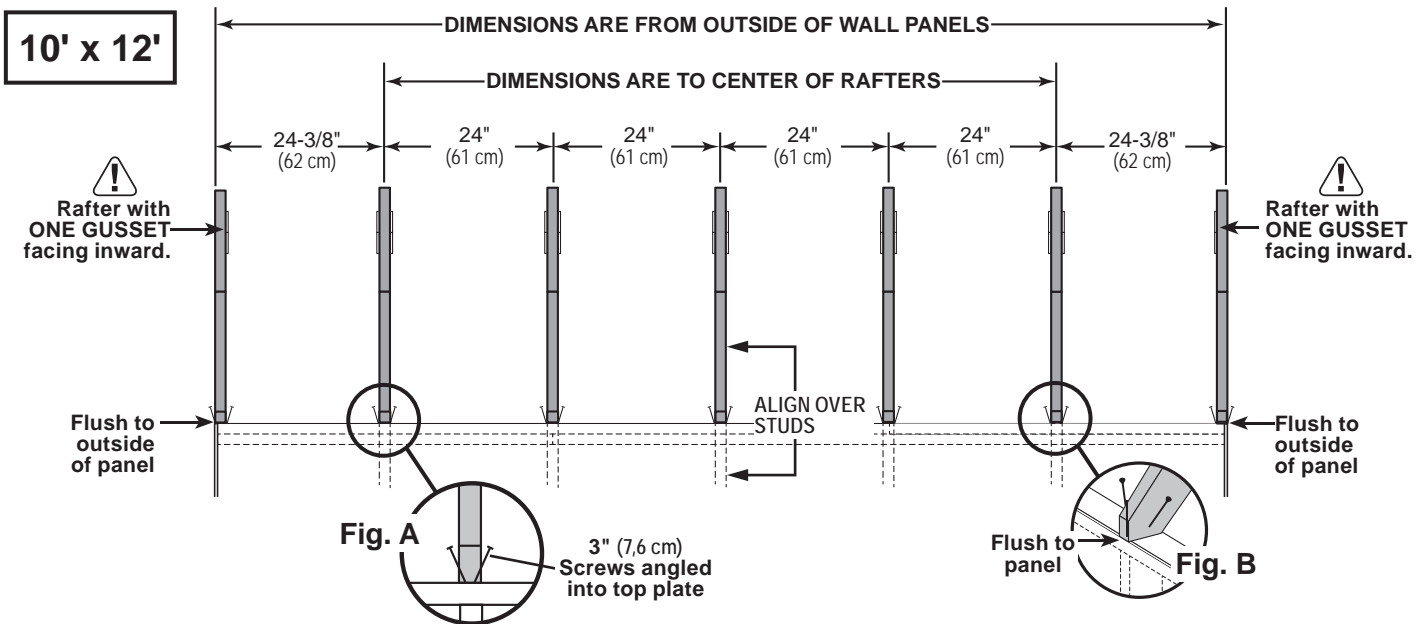


**BEGIN**

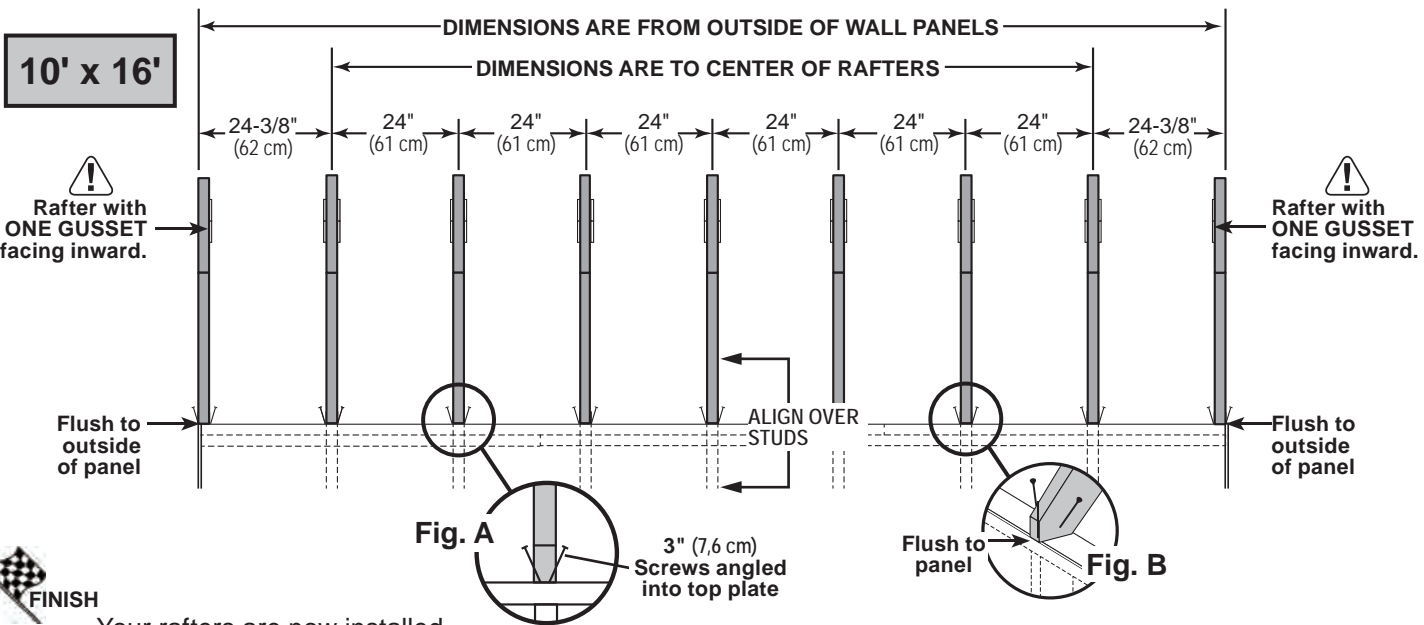
- Align rafters over the wall studs.  
 Check that you have the measurements shown.  
 Secure rafters with (2) 3" screws angled at each end (**Fig. A, Fig. B**).  
 Secure rafters on opposite side.



**!** *Maintain the measurements between rafters.*



**!** *Maintain the measurements between rafters.*



Your rafters are now installed.



# GABLE HAY LOFT TRIM

## PARTS REQUIRED:

x2 **JGA**  
19/32" x 2-1/2" x 12-7/8" (1,6 x 7,6 x 32,7 cm)

x4 **KX**  
19/32" x 2-1/2" X 21-3/4" (1,6 x 7,6 x 55,2 cm)

x1 **LKA**  
19/32" x 2-1/2" x 25-3/4" (1,6 x 7,6 x 65,4 cm)

x1



x14 2" (5,1 cm)

x20 3/4" (1,9 cm)

x2 **QL Temporary Support**  
2 x 4 x 39" (5,1 x 10,2 x 99,1 cm)



### ✓ BEGIN

- 1 Set gable center panel on top of (2) QL, as shown.

Measure and mark the 12" (30, cm) center of the gable panel and 7-1/2" (19,1 cm) from bottom of panel.

- 2 Arrange trim parts as shown, with all connections flush.

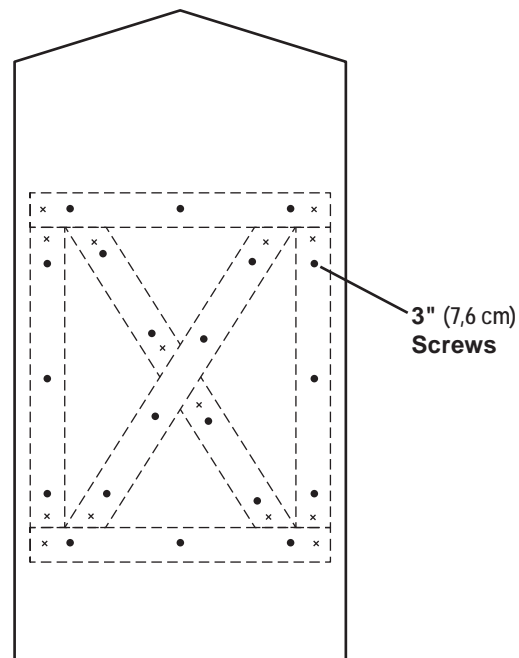
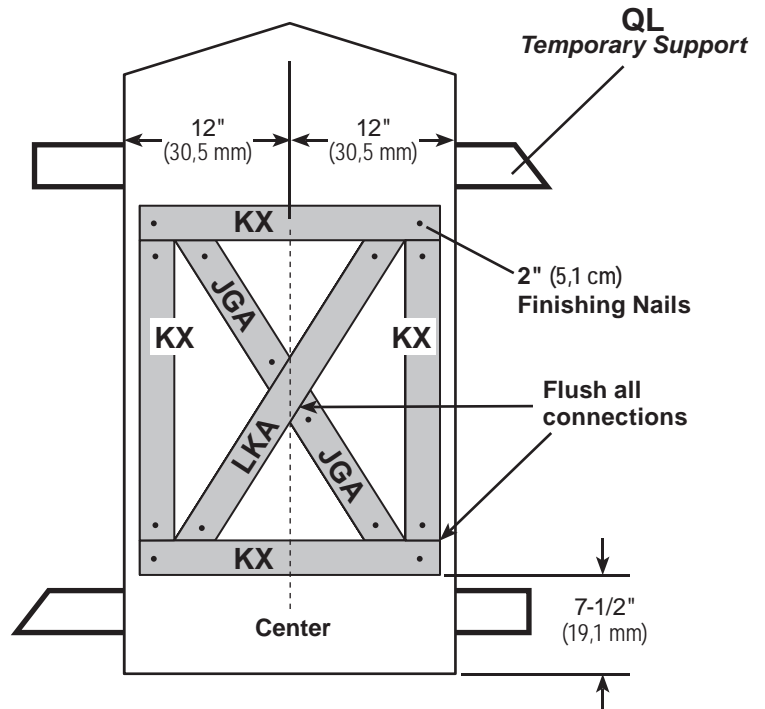
Secure with 2" finishing nails, (2) in each part.

You are finished with the temporary supports. Set them aside.

- 3 Turn the panel (with trim attached) over.

Secure each part with 3/4" screws between nails, as shown.

Snip off the protruding nails.

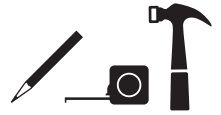
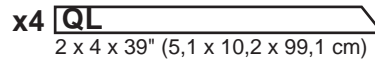
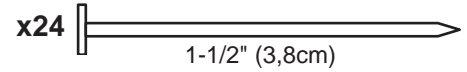
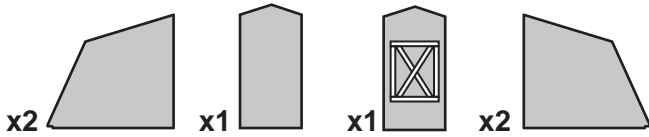


Your gable panel with hay loft trim is now assembled.



# GABLE PANELS

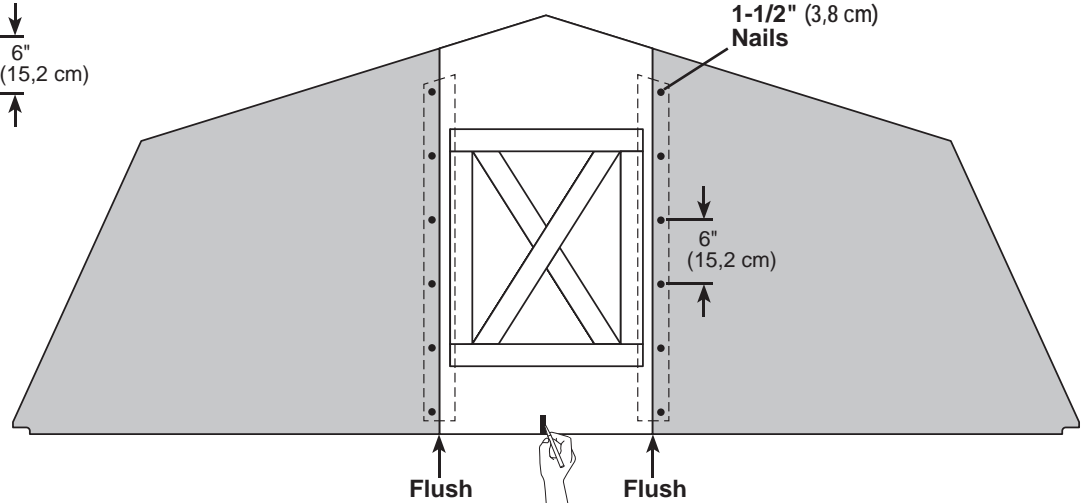
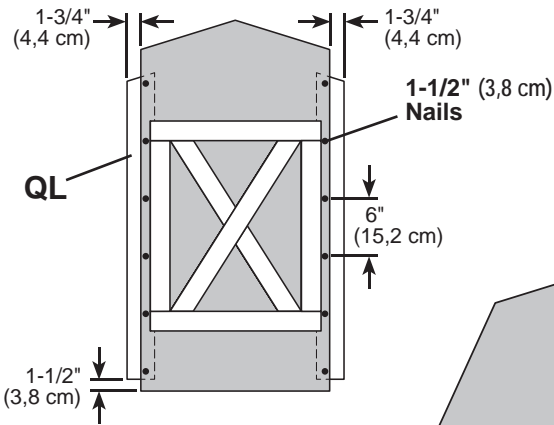
## PARTS REQUIRED:



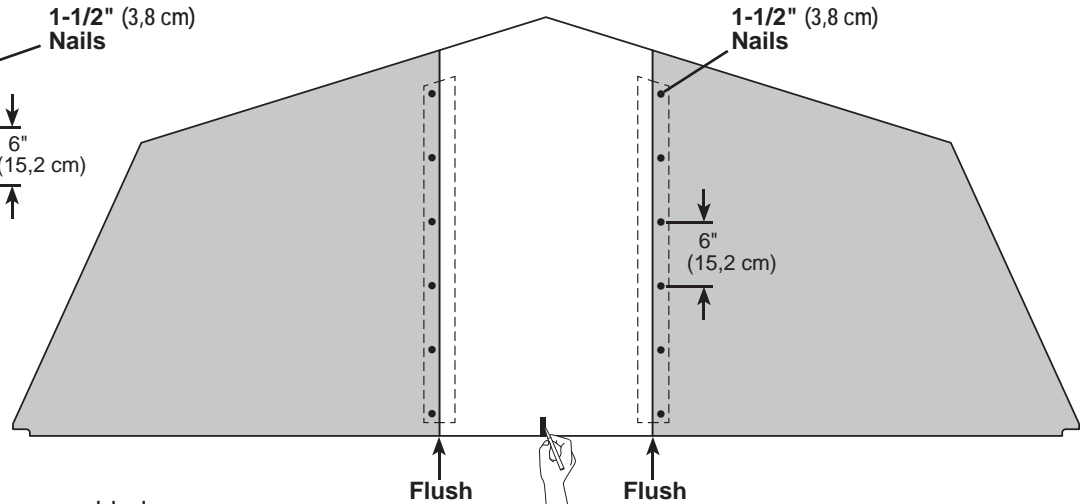
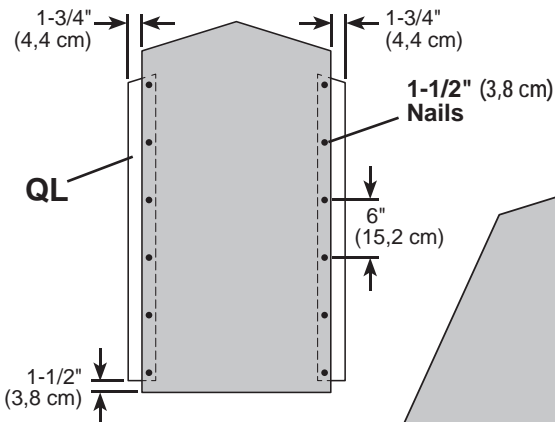
*Install gable panels with the primed side facing up.*

### ✓ BEGIN

- 1 Orient parts **QL** on the flat side, as shown.  
Measure and mark the center of the middle gable panel. Secure with 1-1/2" nails spaced 6" apart along edge.
- 2 Place end panels on **QL** flush to installed panel and secure with 1-1/2" nails spaced 6" apart along edge.  
Repeat STEP 2 for right panel.  
Repeat STEPS 1 - 3 for opposite side gable panels.



Mark



Flush

Flush

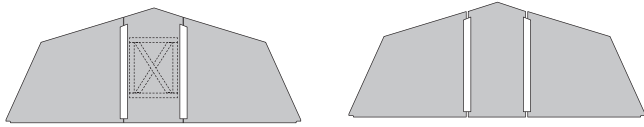
Mark



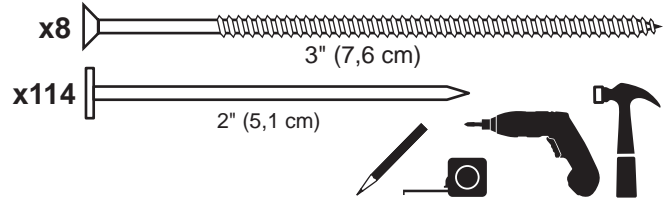
Your gable units are now assembled.

# GABLE INSTALLATION

## PARTS REQUIRED:



Pre - assembled



### ✓ BEGIN

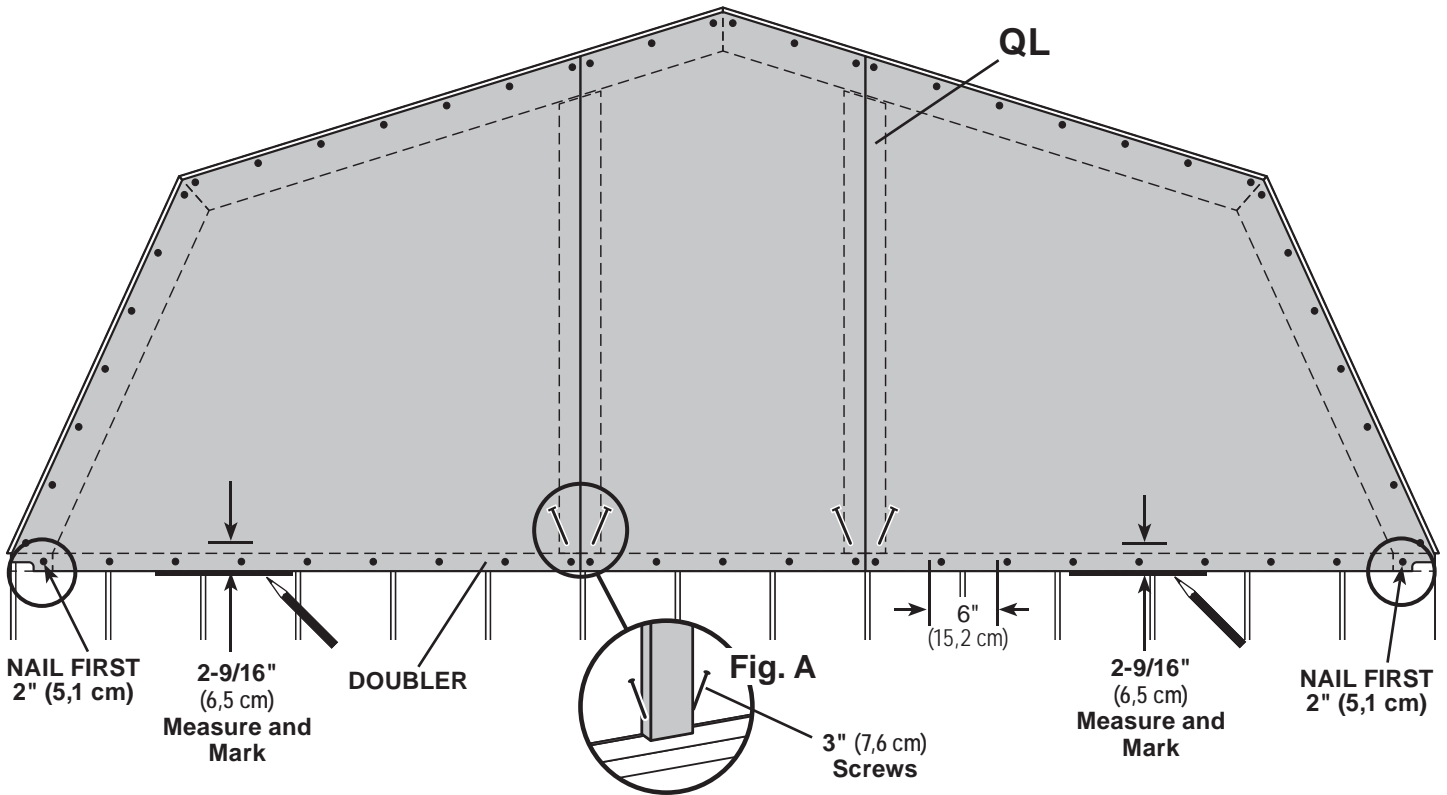


- 1 Measure 2-9/16" down from top plate doubler and mark at each side as shown. Set gable unit on top plate. Fasten with (1) 2" nail on each side.

**⚠ BE SURE GABLE IS CENTERED ON WALL BEFORE NAILING. ⚠**

Continue nailing lower edge of panels to wall doubler with 2" nails spaced 6" apart.

- 2 Working inside, secure gable unit with (2) 3" screws angled into each QL at an angle (Fig. A).



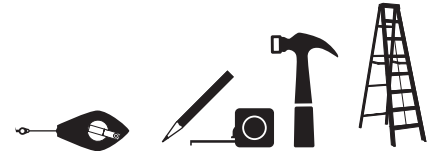
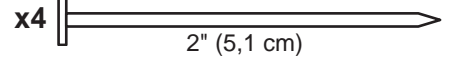
Repeat steps for installation of the opposite side 10' gable (with hay loft trim).




**FINISH** Your gable units are now installed.

# 10' x 12' ROOF PANELS

## PARTS REQUIRED:



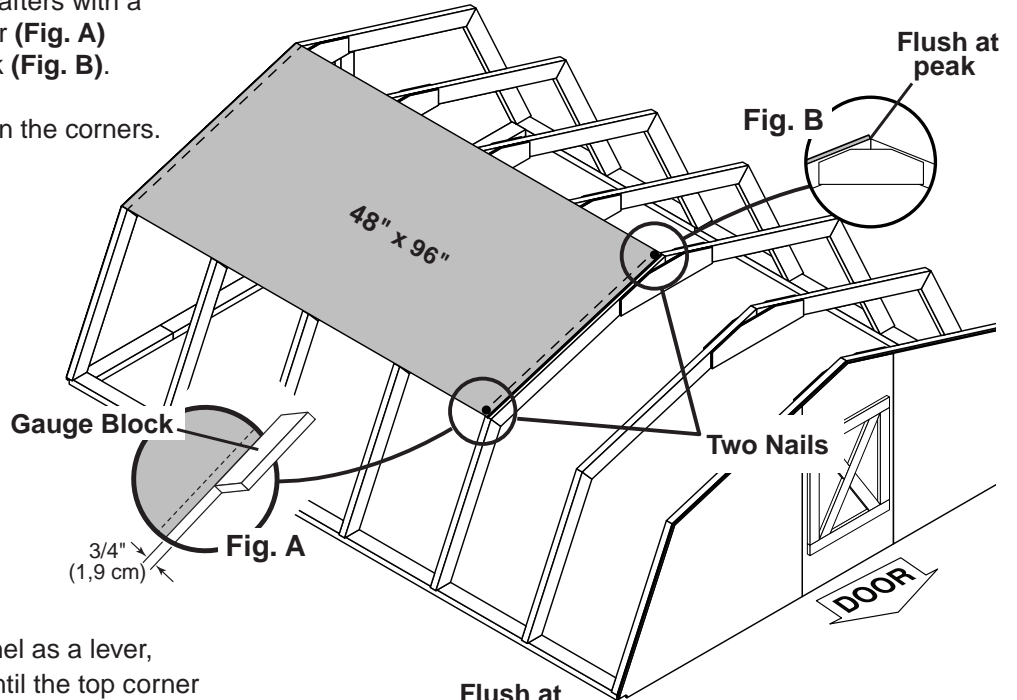
 Roof panels may cause serious injury until securely fastened.  
**Note:** Install all roof panels with the rough side up (painted grid lines).



✓ BEGIN

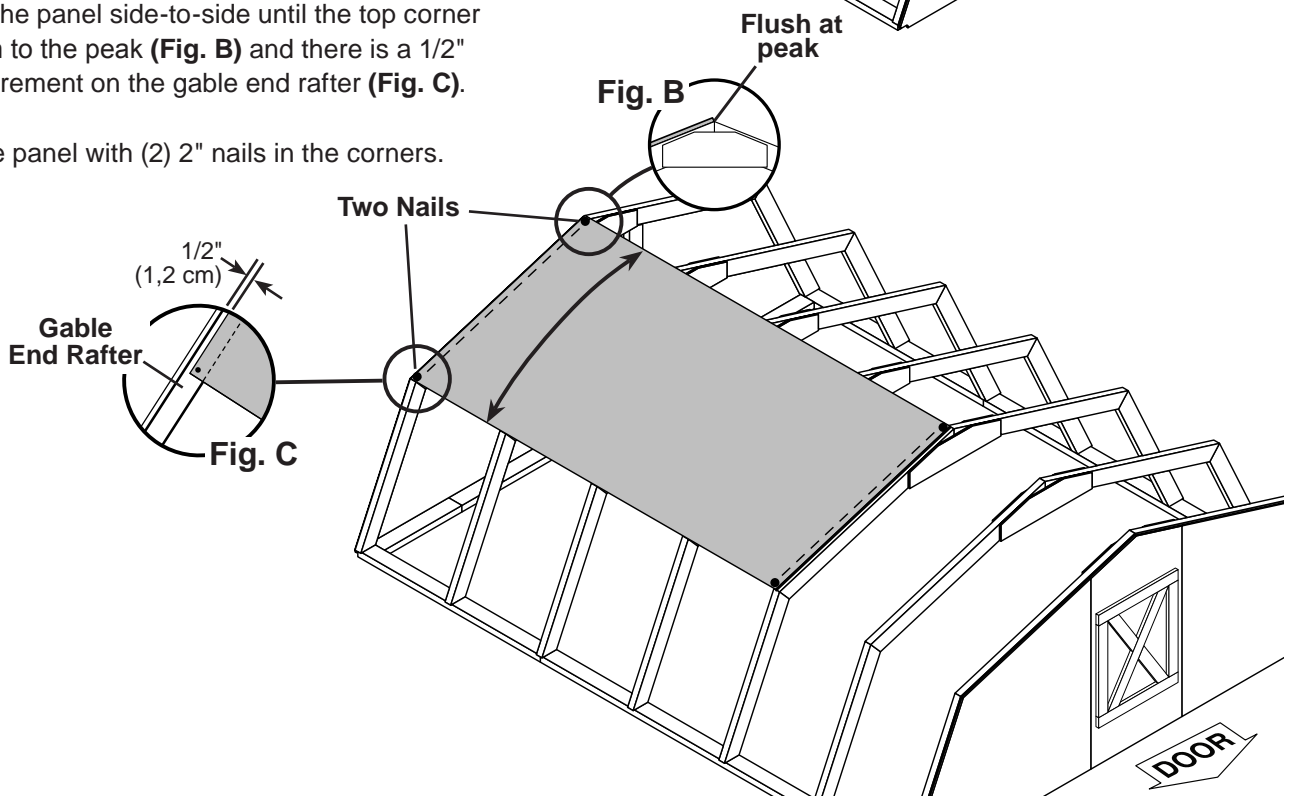
- 1 Place the 48" x 96" panel on rafters with a 3/4" measurement on the rafter (Fig. A) and the panel flush at the peak (Fig. B).

Secure panel with (2) 2" nails in the corners.



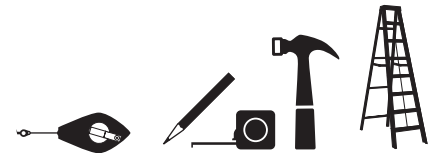
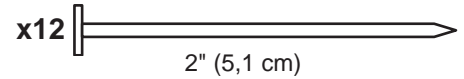
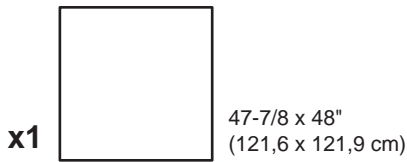
- 2 Move to the opposite end. Using the long edge of the panel as a lever, move the panel side-to-side until the top corner is flush to the peak (Fig. B) and there is a 1/2" measurement on the gable end rafter (Fig. C).

Secure panel with (2) 2" nails in the corners.



# 10' x 12' ROOF PANELS

## PARTS REQUIRED:



- 3** Install a 48" x 47-7/8" roof panel flush to the installed panel and flush at peak (**Fig. B**).

Secure panel with (1) 2" nail in each corner.

- 4** Move the gable end rafter edge until it is 1/2" from the 48" x 47-7/8" roof panel (**Fig. C**).

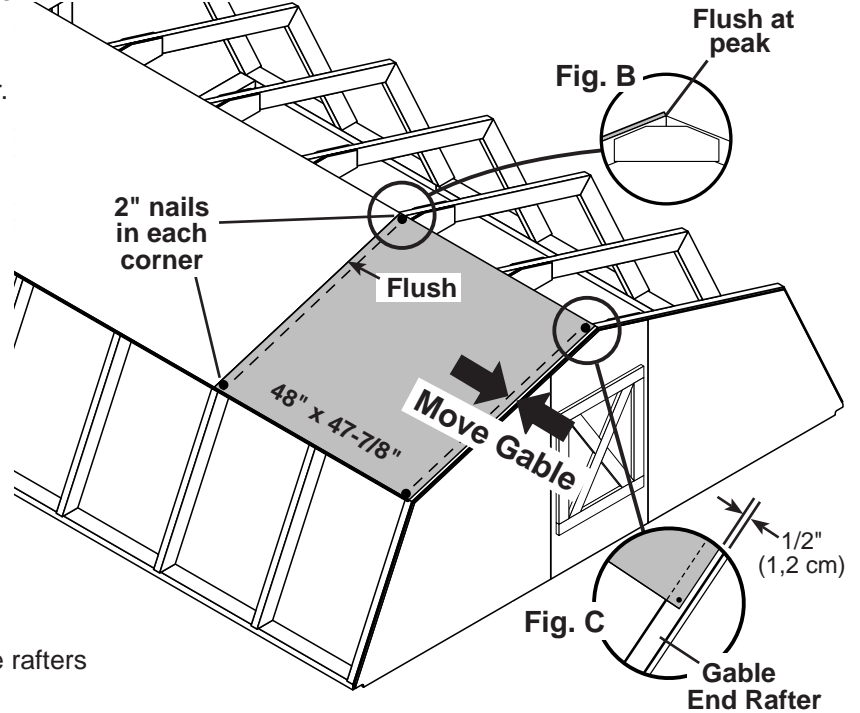
Finish securing panel with (1) 2" nail in each corner.

- 5** Maintain spacing between the center of the rafters at the lower edge of the panels (**Fig. D**).

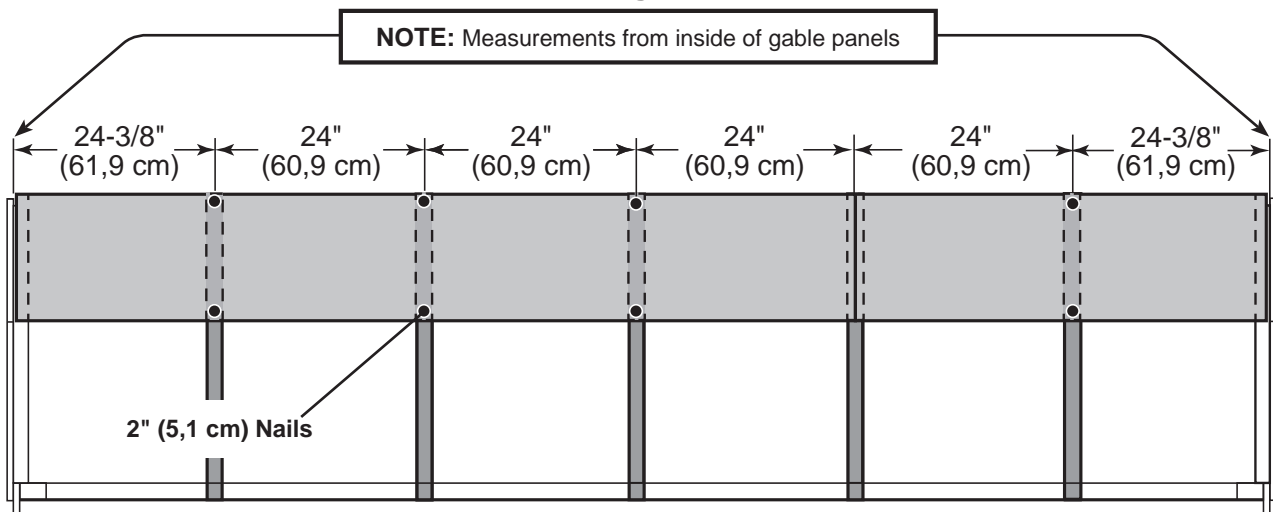
Secure panels with (1) 2" nail into each rafter, as shown.

Move to the top of the panel and keep spacing between the center of the rafters.

Secure panels with (1) 2" nail into each rafter.


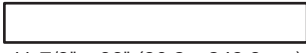




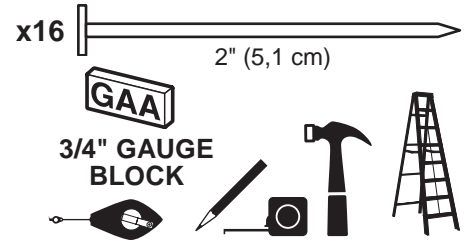
**Fig. D**



# 10' x 12' ROOF PANELS

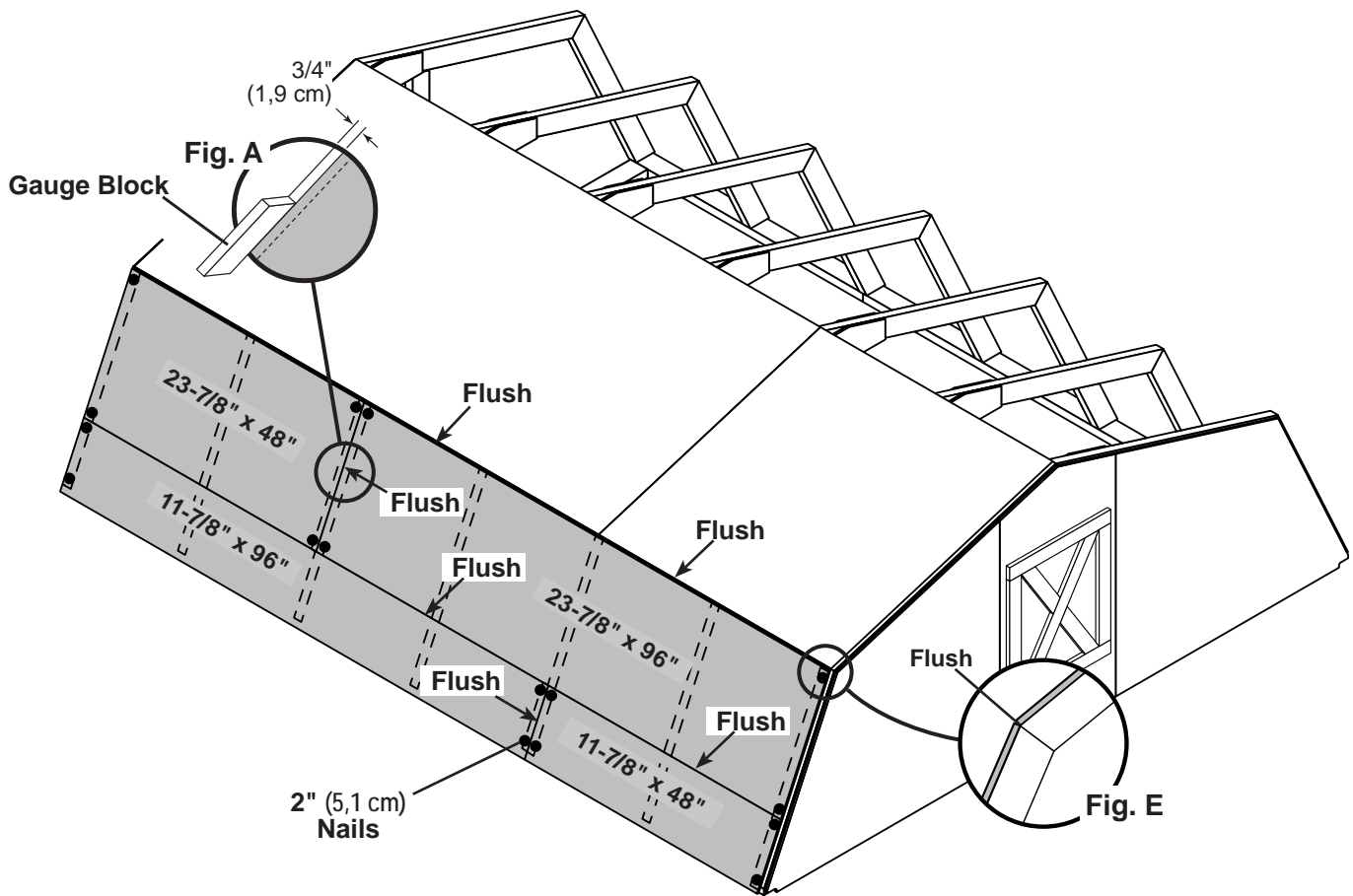
## PARTS REQUIRED:

x1		23-7/8" x 47-7/8" (60,6 x 121,9 cm)	x1		11-7/8" x 96" (30,2 x 243,8 cm)
x1		23-7/8" x 96" (60,6 x 243,8 cm)	x1		11-7/8" x 47-7/8" (59,7 x 121,9 cm)



**6** Next, install **23-7/8" x 48"** and **23-7/8" x 96"** roof panels with a **3/4"** measurement on the rafter (**Fig A**) and flush to the installed panels (**Fig. E**).

Secure panels with (1) 2" nail in each corner.

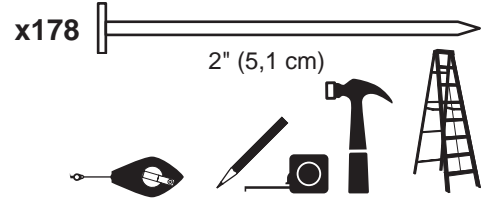


**7** Install **11-7/8" x 48"** and **11-7/8" x 96"** roof panels with a **3/4"** measurement on the rafter (**Fig A**) and flush to the installed panels.

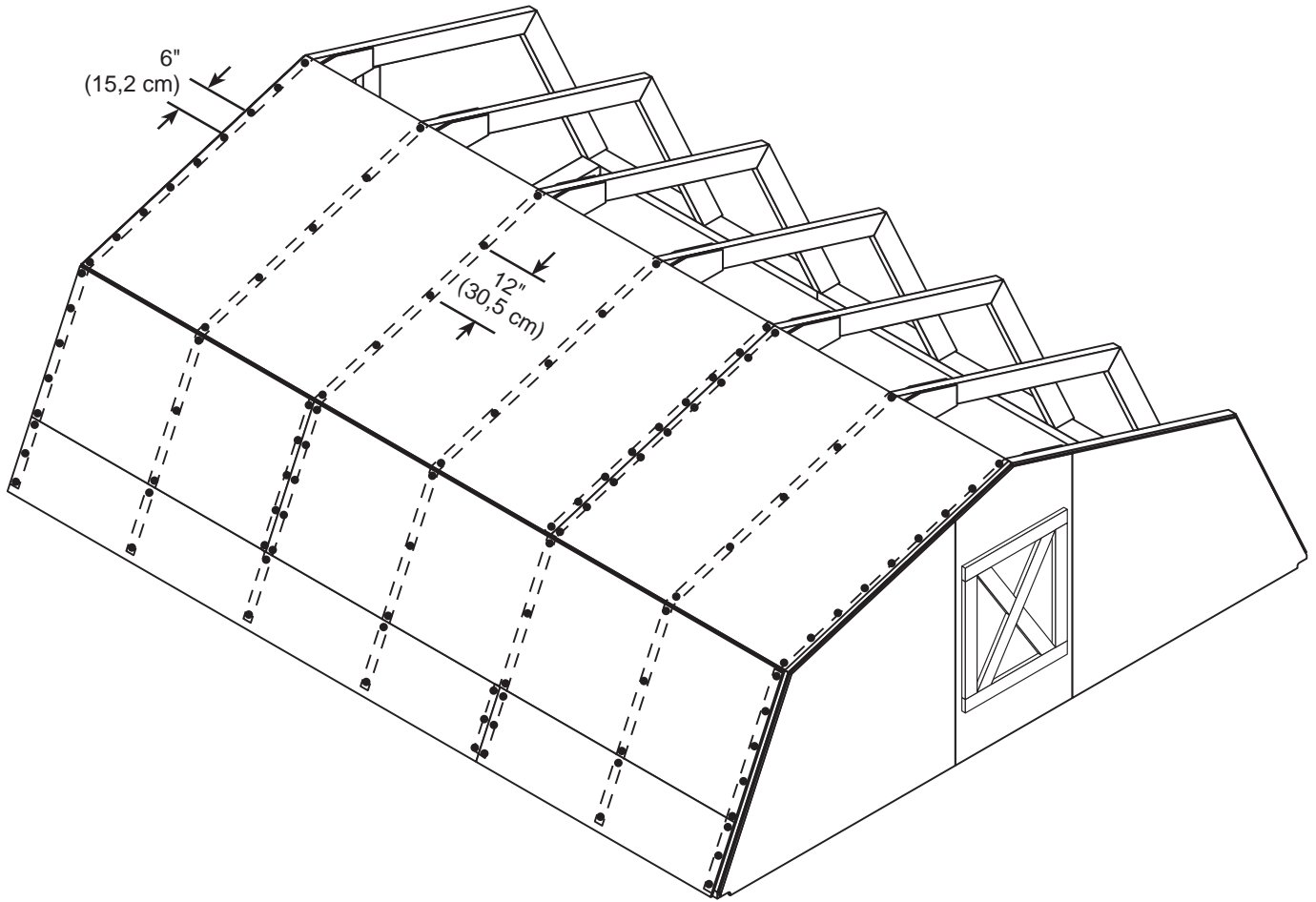
Secure panels with (1) 2" nail in each corner.

## 10' x 12' ROOF PANELS

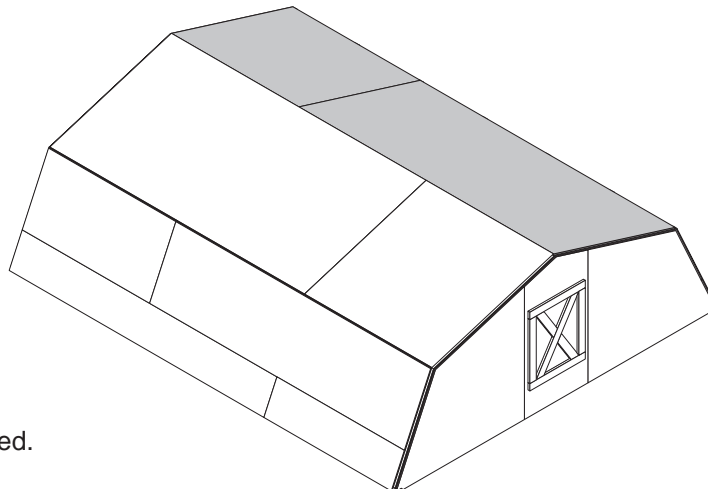
### PARTS REQUIRED:



- 8 Secure all roof panels with 2" nails spaced 6" apart on edges and 12" apart inside panels.



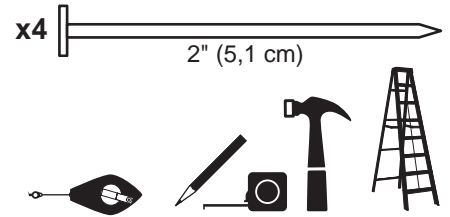
Repeat all STEPS to install roof panels on the opposite side.




Your roof panels are now installed.

# 10' x 16' ROOF PANELS

## PARTS REQUIRED:



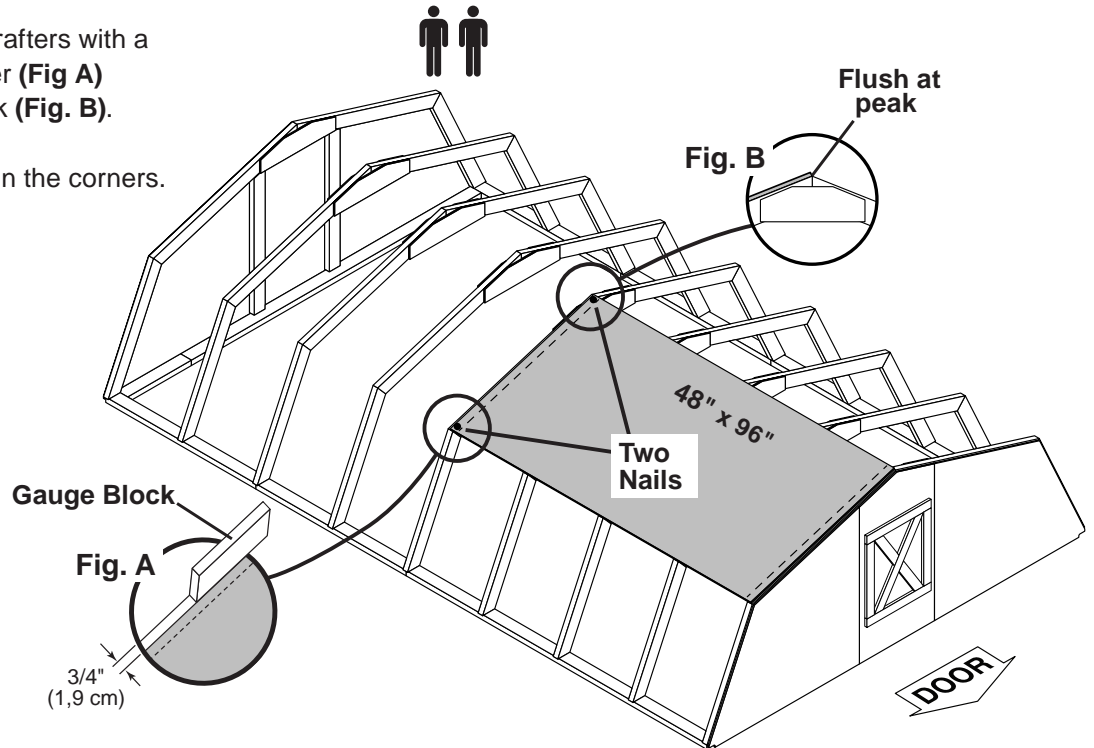
 Roof panels may cause serious injury until securely fastened.  
*Note: Install all roof panels with the rough side up (painted grid lines).*

✓ BEGIN

**1**

Place the **48" x 96"** panel on rafters with a 3/4" measurement on the rafter (**Fig. A**) and the panel flush at the peak (**Fig. B**).

Secure panel with (2) 2" nails in the corners.

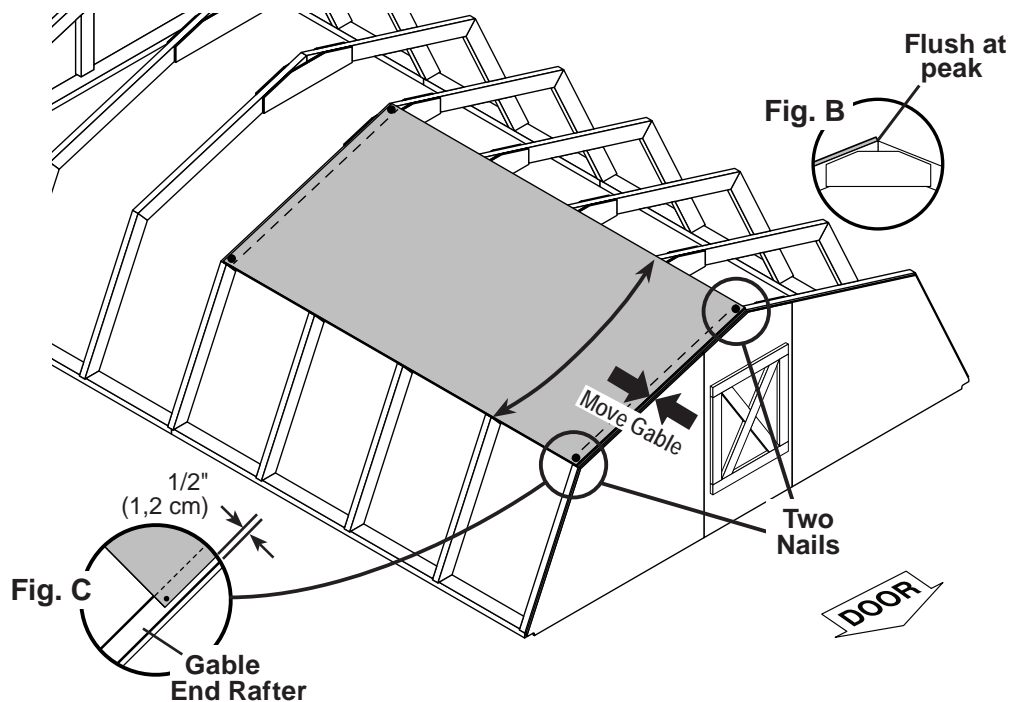


**2**

Move to the opposite end. Using the long edge of the panel as a lever, move the panel side-to-side until the top corner is flush to the peak (**Fig. B**).

Move gable end rafter edge until it is 1/2" from the **48" x 47-7/8"** roof panel (**Fig. C**).

Secure panel with (2) 2" nails in the corners.



# 10' x 16' ROOF PANELS

## PARTS REQUIRED:



**3**  
Install first 47-7/8" x 48" roof panel flush to the installed panel and flush at the peak (Fig. B). Secure panel with (1) 2" nail in each corner.

**4**  
Move to the opposite end. Using the unattached end of the panel as a lever, move the panel side-to-side until the top corner is flush to the peak (Fig. B) and there is a 3/4" measurement on the rafter (Fig A). Secure panel with (1) 2" nail in each corner.

**5**  
Install next 47-7/8" x 48" roof panel flush to the installed panel and flush at the peak (Fig. B). Secure panel with (1) 2" nail in each corner.

Move gable end rafter edge until it is 1/2" from the 47-7/8" x 48" roof panel (Fig. C). Finish securing panel with (1) 2" nail in each corner.

**6**  
Maintain spacing between the center of the rafters at the lower edge of the panels (Fig. D). Secure panels with (1) 2" nail into each rafter, as shown. Move to the top of the panel and keep spacing between the center of the rafters. Secure panels with (1) 2" nail into each rafter.

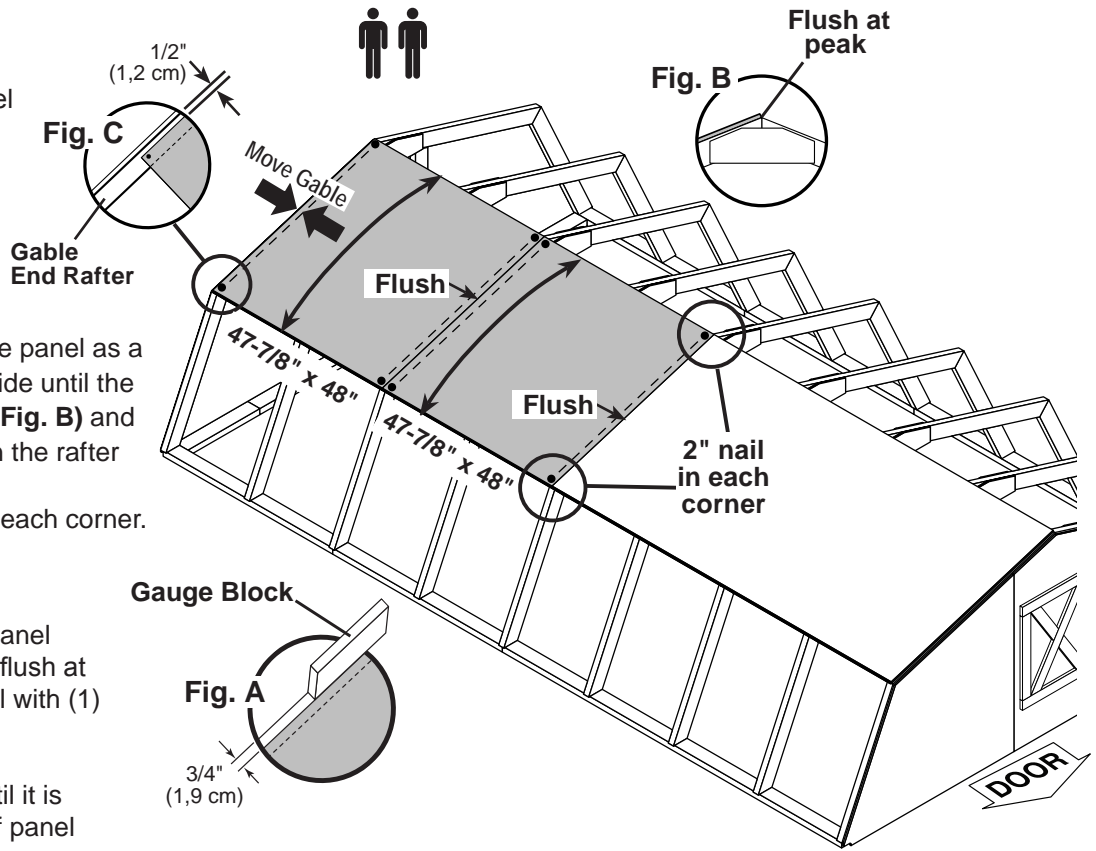
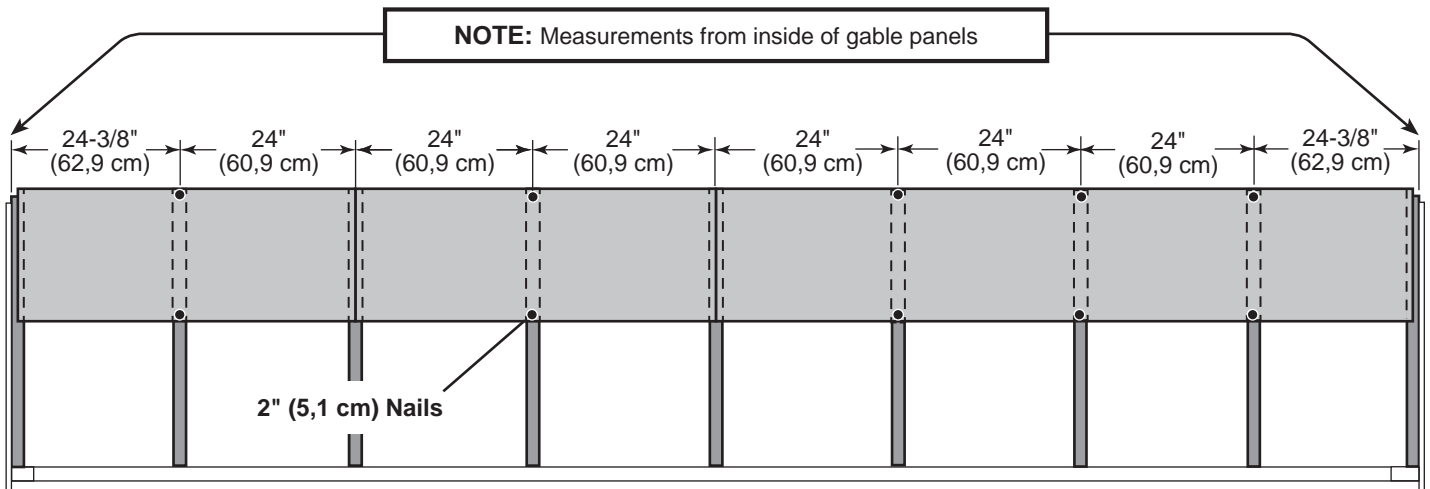


Fig. D





# 10' x 16' ROOF PANELS

## PARTS REQUIRED:



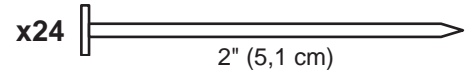
23-7/8" x 96"  
(60,6 x 243,8 cm)



23-7/8" x 48"  
(60,6 x 121,9 cm)



3/4" GAUGE  
BLOCK



11-7/8" x 96"  
(30,2 cm x 243,8 cm)



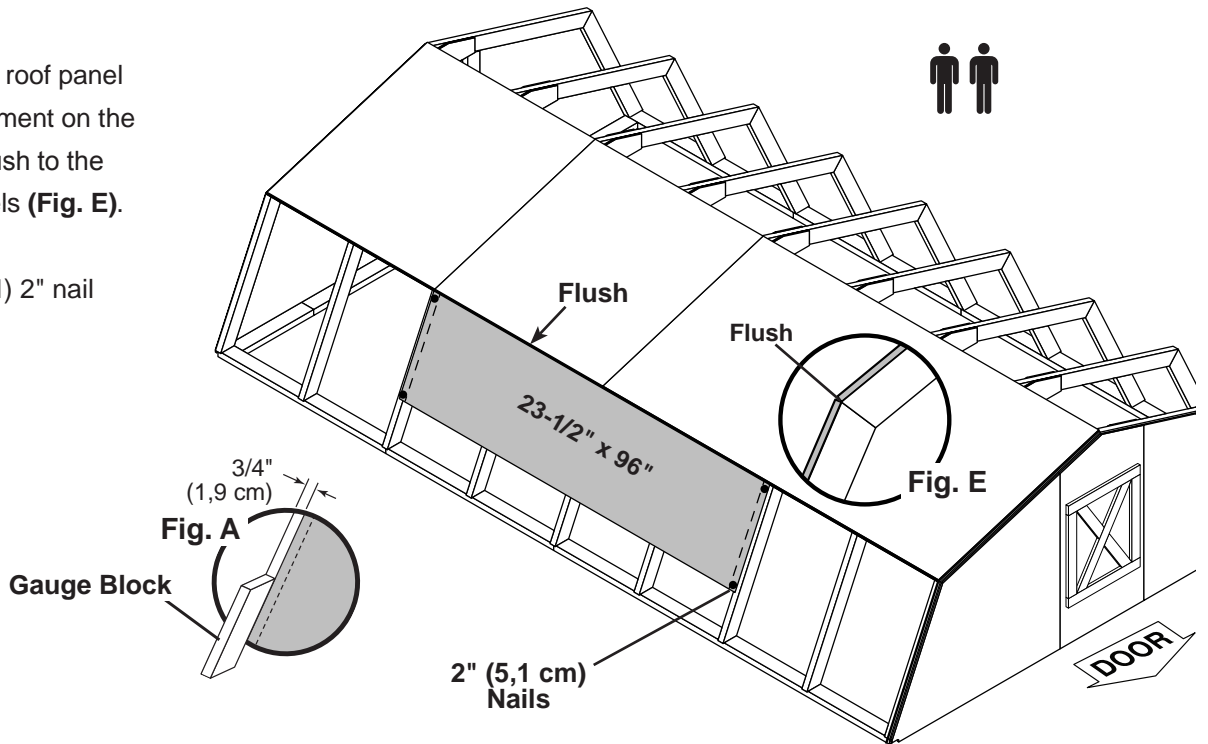
11-7/8" x 48"  
(30,2 cm x 121,9 cm)



7

Install **23-7/8" x 96"** roof panel with a 3/4" measurement on the rafter (**Fig A**) and flush to the upper installed panels (**Fig. E**).

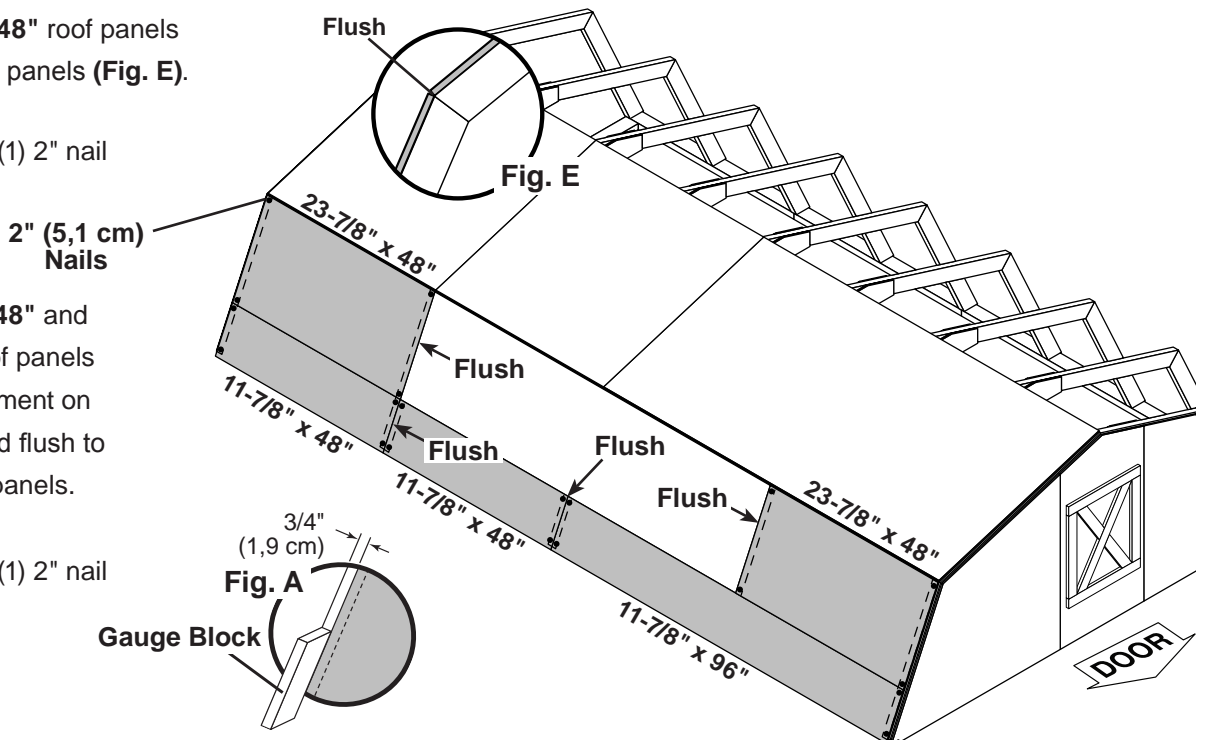
Secure panel with (1) 2" nail in each corner.



8

Install (2) **23-7/8" x 48"** roof panels flush to the installed panels (**Fig. E**).

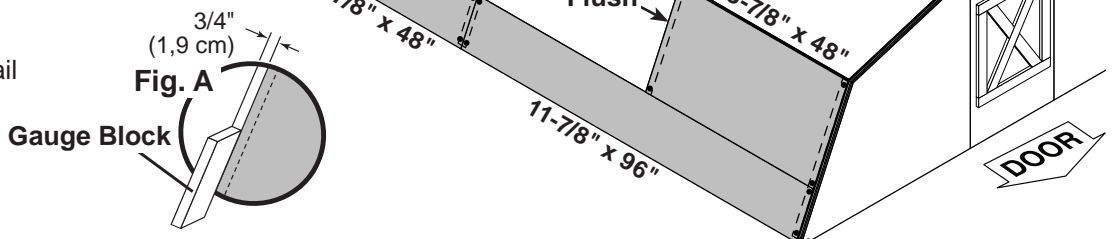
Secure panels with (1) 2" nail in each corner.



9

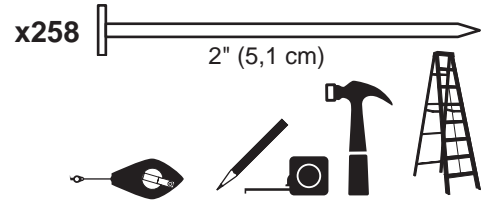
Install (2) **11-7/8" x 48"** and (1) **11-7/8" x 96"** roof panels with a 3/4" measurement on the rafter (**Fig A**) and flush to the upper installed panels.

Secure panels with (1) 2" nail in each corner.

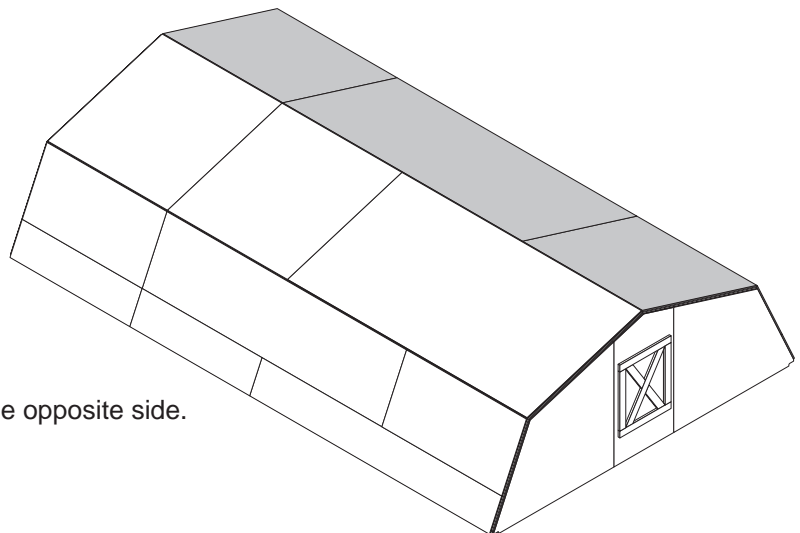
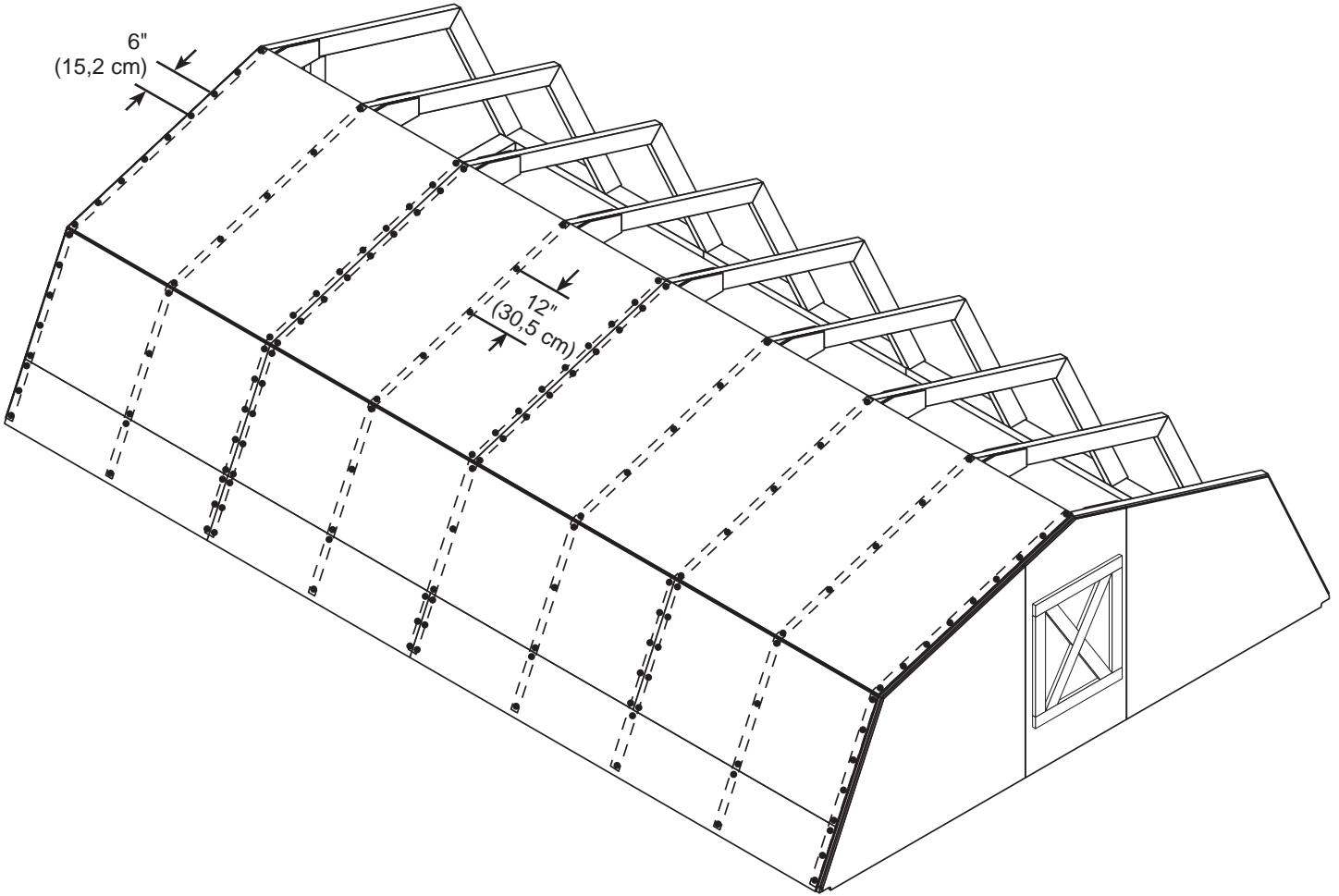


## 10' x 12' ROOF PANELS

### PARTS REQUIRED:



- 10** Secure all roof panels with 2" nails spaced 6" apart on edges and 12" apart inside panels.



Repeat STEPS to install roof panels on the opposite side.



**FINISH**

Your roof panels are now installed.

# GABLE TRIM

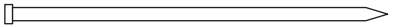
## PARTS REQUIRED:

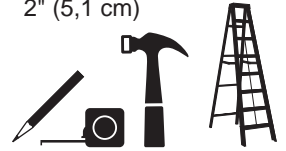
x2 **ZQL** 5/8 x 4 x 48-5/16  
(1,6 x 10 x 123 cm)

x2 **ZJL** 5/8 x 4 x 36"  
(1,6 x 10 x 91 cm)

x2 **ZQR** 5/8 x 4 x 48-5/16  
(1,6 x 10 x 123 cm)

x2 **ZJR** 5/8 x 4 x 36"  
(1,6 x 10 x 91 cm)

x88  2" (5,1 cm)

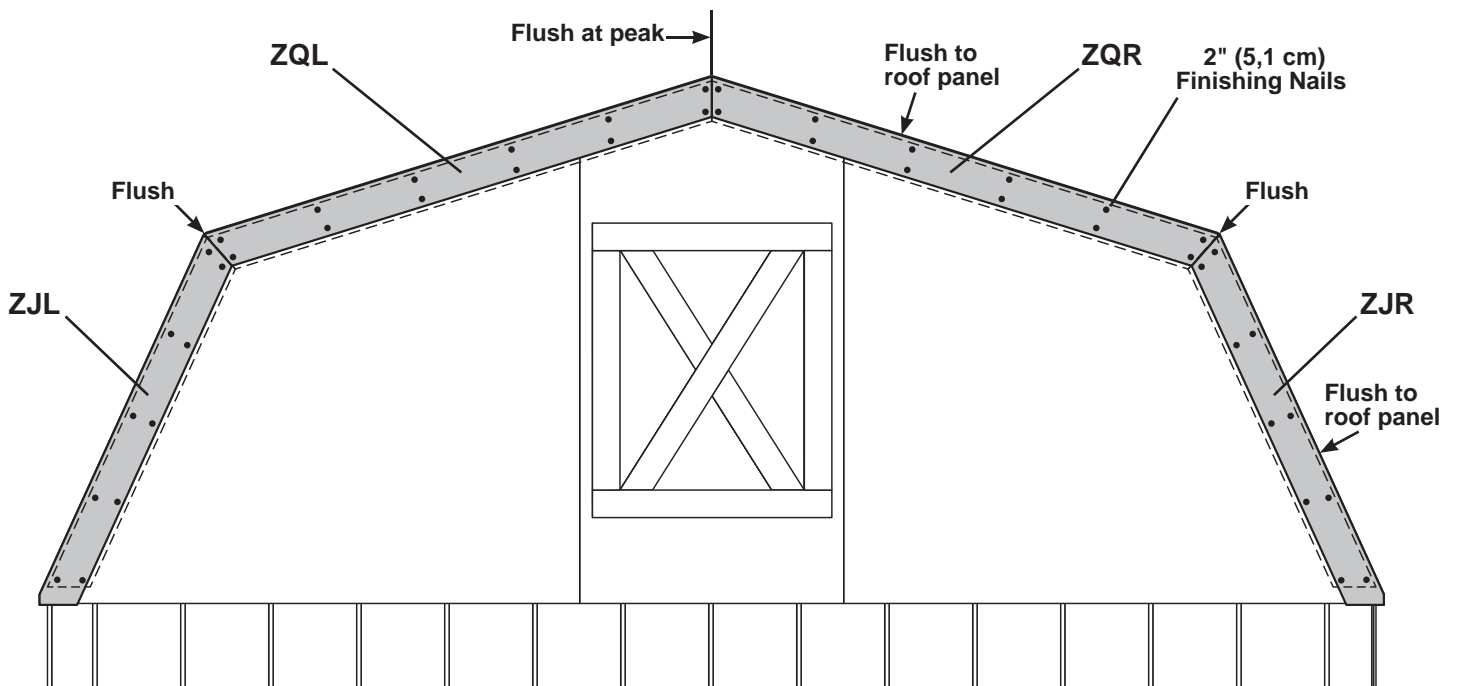


### ✓ BEGIN

**1** Install upper gable trim **ZQR** and **ZQL** flush to top of roof panels and flush at peak.  
Secure trim with 2" finish nails evenly spaced, as shown.

**2** Install lower gable trim **ZJR** and **ZJL** flush to top of roof panels and flush to installed trim.  
Secure trim with 2" finish nails evenly spaced, as shown.


Repeat steps to install trim to the opposite gable.

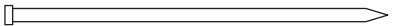


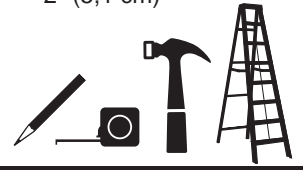
Your gable trim is now installed.

# CORNER TRIM

## PARTS REQUIRED:

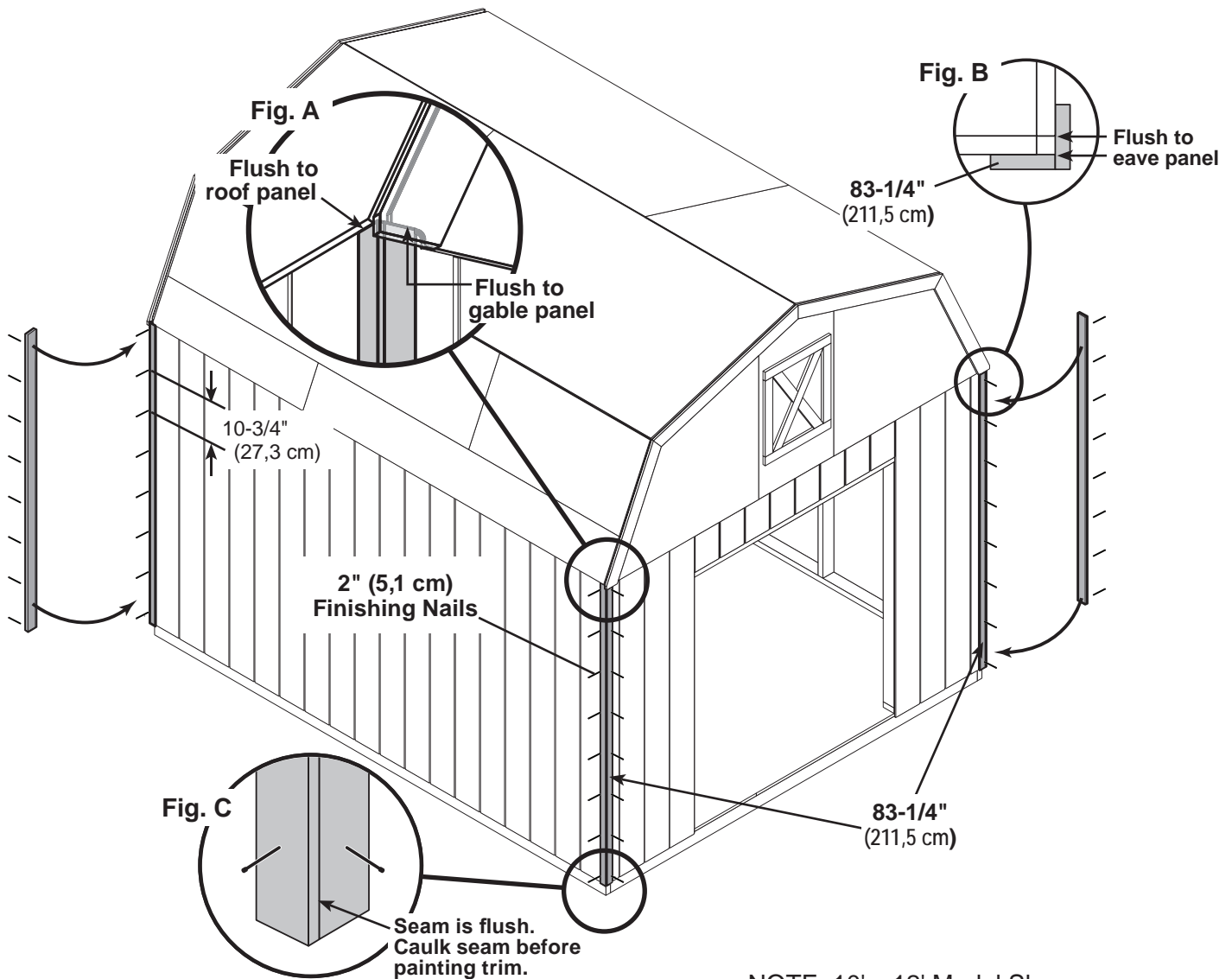
x8   
 3/8" x 1-3/4" x 83-1/4" (1 x 4,5 x 211,5 cm)

x64  2" (5,1 cm)



### ✓ BEGIN

- 1 Install gable end **83-1/4"** corner trim under gable panel, **(Fig. A)** and flush to eave wall panel **(Fig. B)**. Secure with 2" finishing nails spaced evenly.
- 2 Install eave side **83-1/4"** corner trim flush to eave soffit and flush along seam of installed corner trim **(Fig. C)**. Secure with 2" finishing nails spaced evenly.



NOTE: 10' x 12' Model Shown.

Repeat STEPS 1 - 2 for each corner of shed.

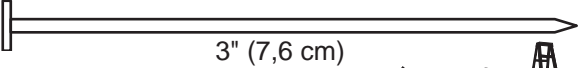


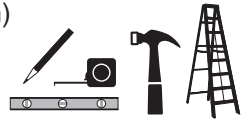
Your corner trim is now installed.

## 10' x 12' COLLAR TIE

### PARTS REQUIRED:

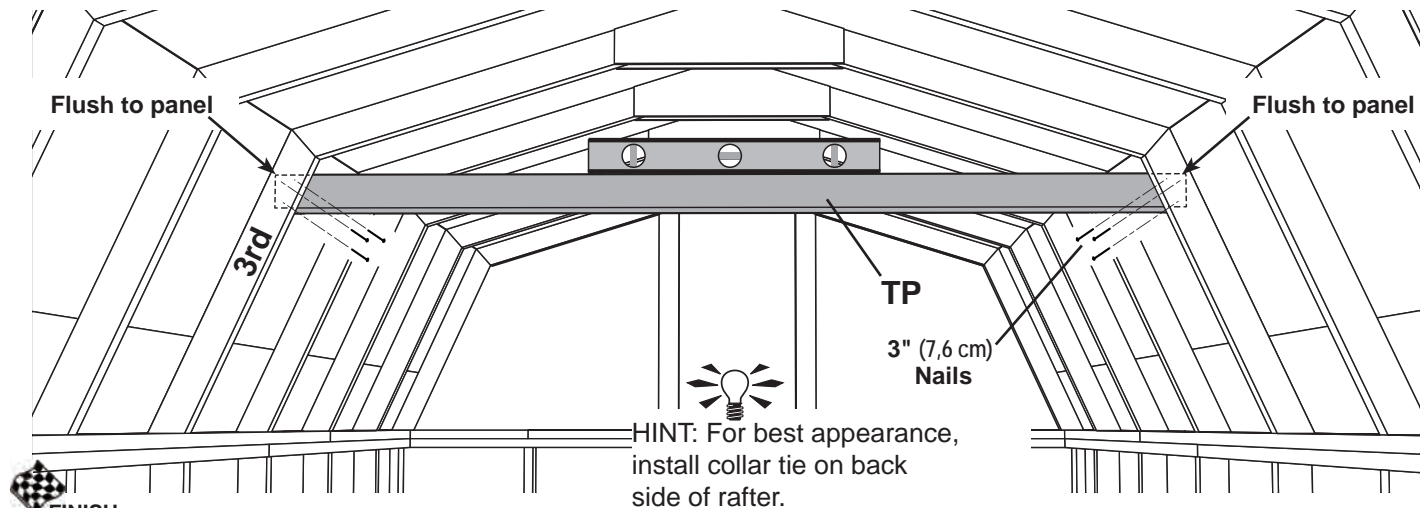
x1 **TP**  
2 x 4 x 96" (5,1 x 10,2 x 243,9 cm)

x6  3" (7,6 cm)



### ✓ BEGIN

**1** Install collar tie **TP** to the 3rd rafter from the front with (3) 3" nails at each end.

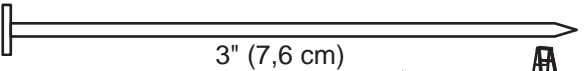


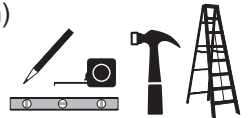
Your collar tie is now installed.

## 10' x 16' COLLAR TIES

### PARTS REQUIRED:

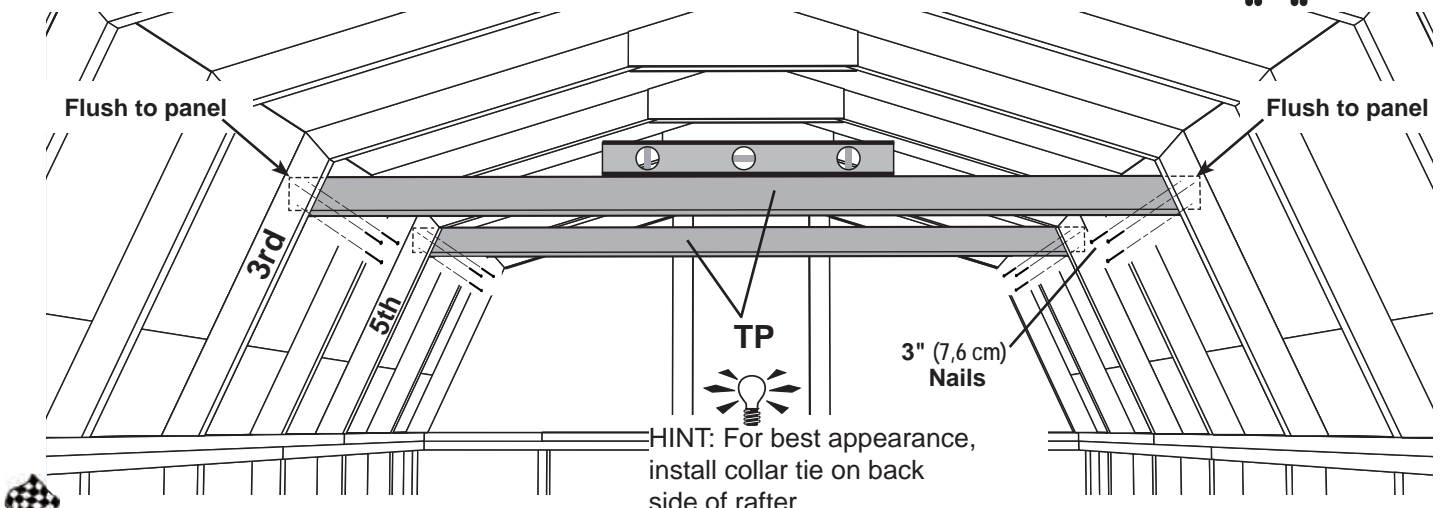
x2 **TP**  
2 x 4 x 96" (5,1 x 10,2 x 243,9 cm)

x12  3" (7,6 cm)



### ✓ BEGIN

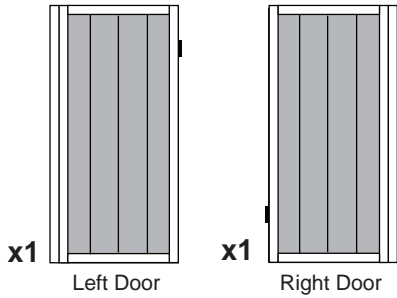
**1** Install (2) collar ties **TP** to the 3rd and 5th rafters from the front with (3) 3" nails at each end.



Your collar ties are now installed.

# DOORS

## PARTS REQUIRED:

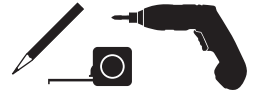


x1 **GAA**  
1 x 3 x 5" (2,5 x 7,6 x 12,7 cm)

x1 **OO**  
69" (175,3 cm) Door Stiffener

x4 3" (7,6 cm)

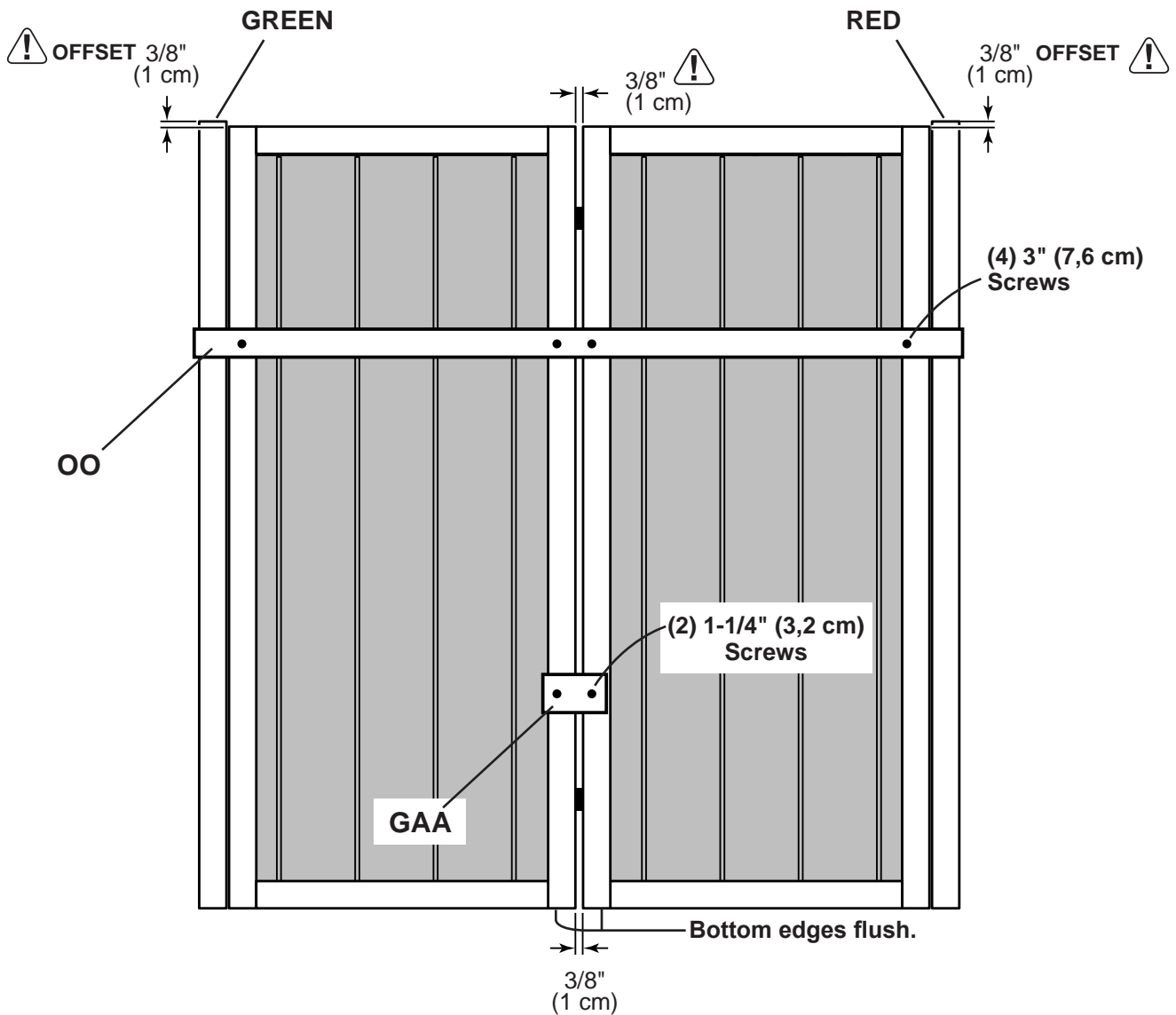
x2 1-1/4" (3,2 cm)



### ✓ BEGIN

- 1 Place doors on flat surface. **3/8" offset is to top.**  
Look for red (right) and green (left) on hinge board.


Attach temporary supports **OO** and **GAA** as shown.

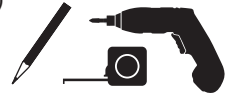


# DOORS

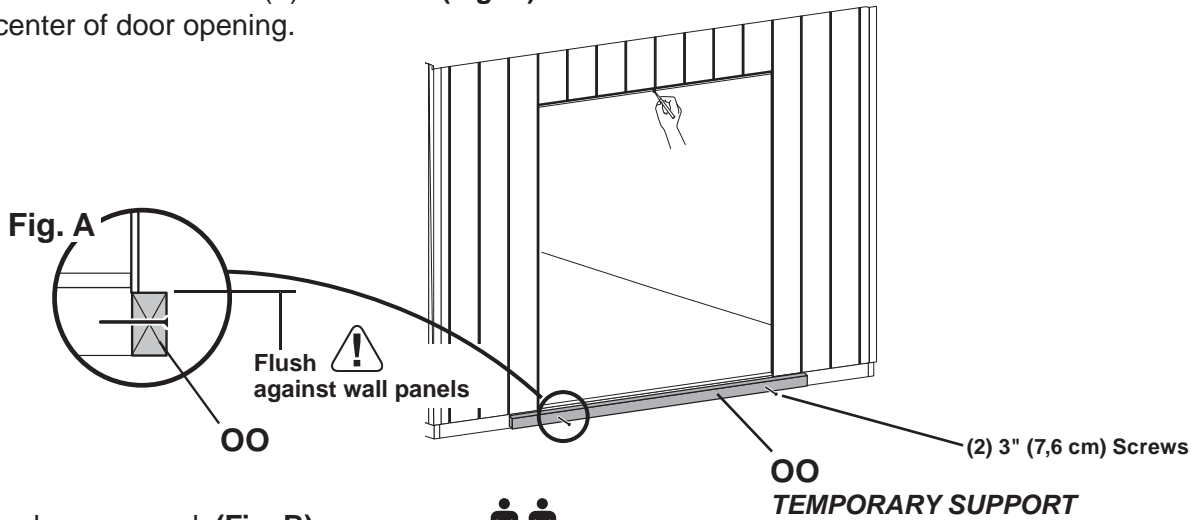
## PARTS REQUIRED:


x1 **OO** TEMPORARY SUPPORT  
69" (175,3 cm) Door Stiffener

x12  3" (7,6 cm)

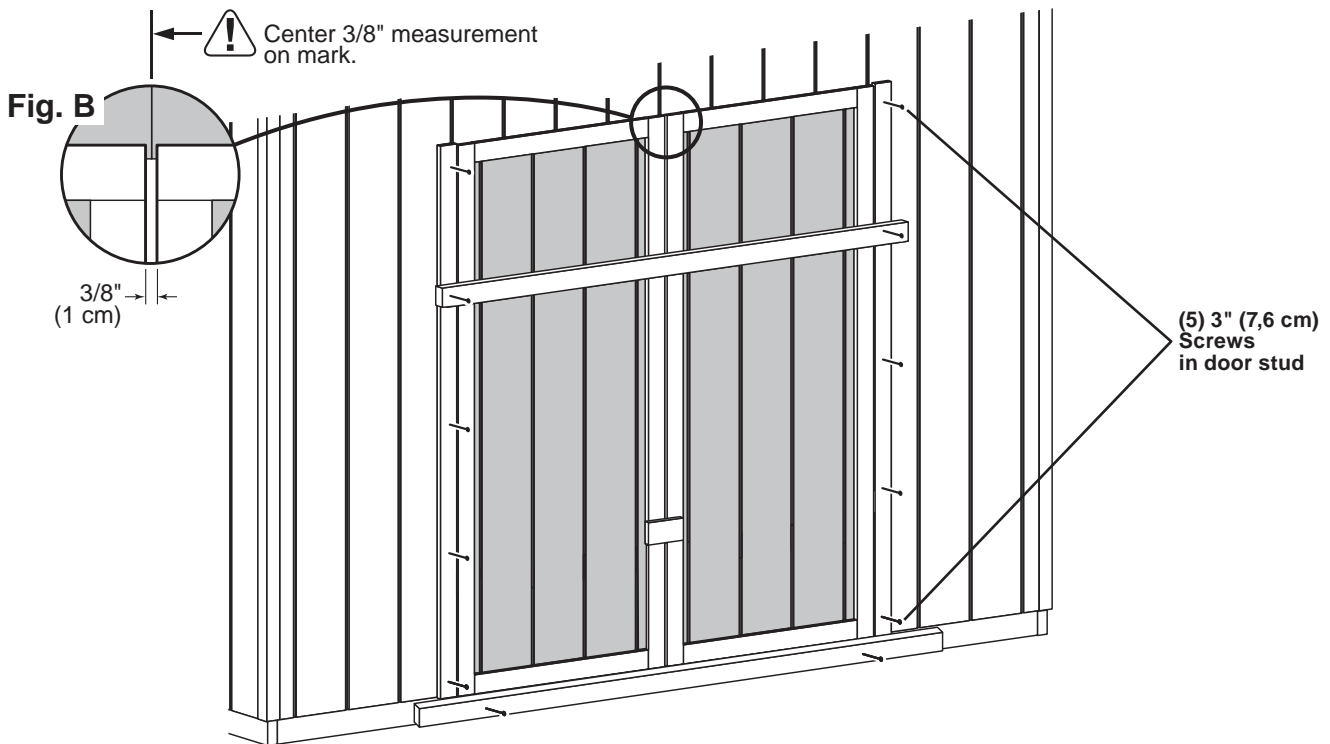


- 2** Install **OO** flush under panels.  
Secure to floor frame with (2) 3" screws (**Fig. A**).  
Mark center of door opening.



- 3** Center doors on mark (**Fig. B**). 

- 4** Screw hinge boards into wall supports with (10) 3" screws, as shown.  
 **Make sure screws go into framing.**



Remove temporary supports and check to make sure doors open and close properly.



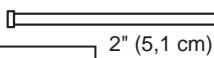
Your doors are now installed.

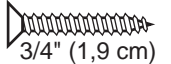
# DOORS

## PARTS REQUIRED:

x2 **AH**  
19/32" x 2-1/2" x 26 5/8" (1,5 x 6,3 x 67,6 cm)

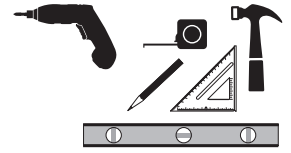
x1 **ZJ**  
19/32" x 2-1/2" x 72" (1,5 x 7,6 x 182,9 cm)

x7  2" (5,1 cm)

x72  3/4" (1,9 cm)

x2 **MDR**  
19/32" x 2-1/2" x 39-7/8" (1,5 x 6,3 x 101,3 cm)

x2 **MDL**  
19/32" x 2-1/2" x 39-7/8" (1,5 x 6,3 x 101,3 cm)

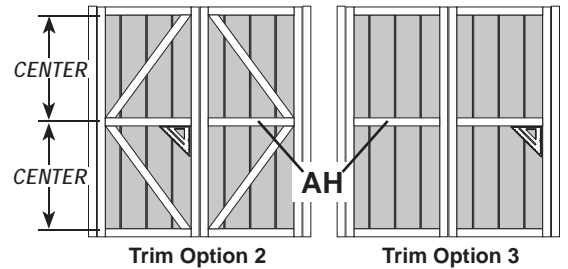


✓ **BEGIN**

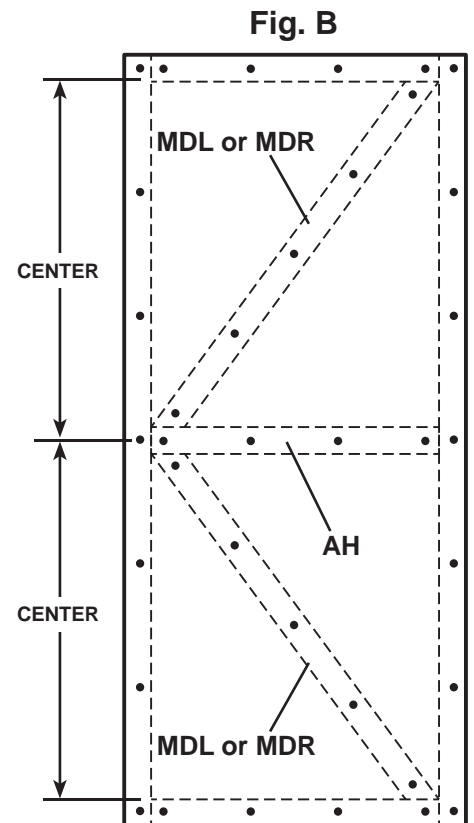
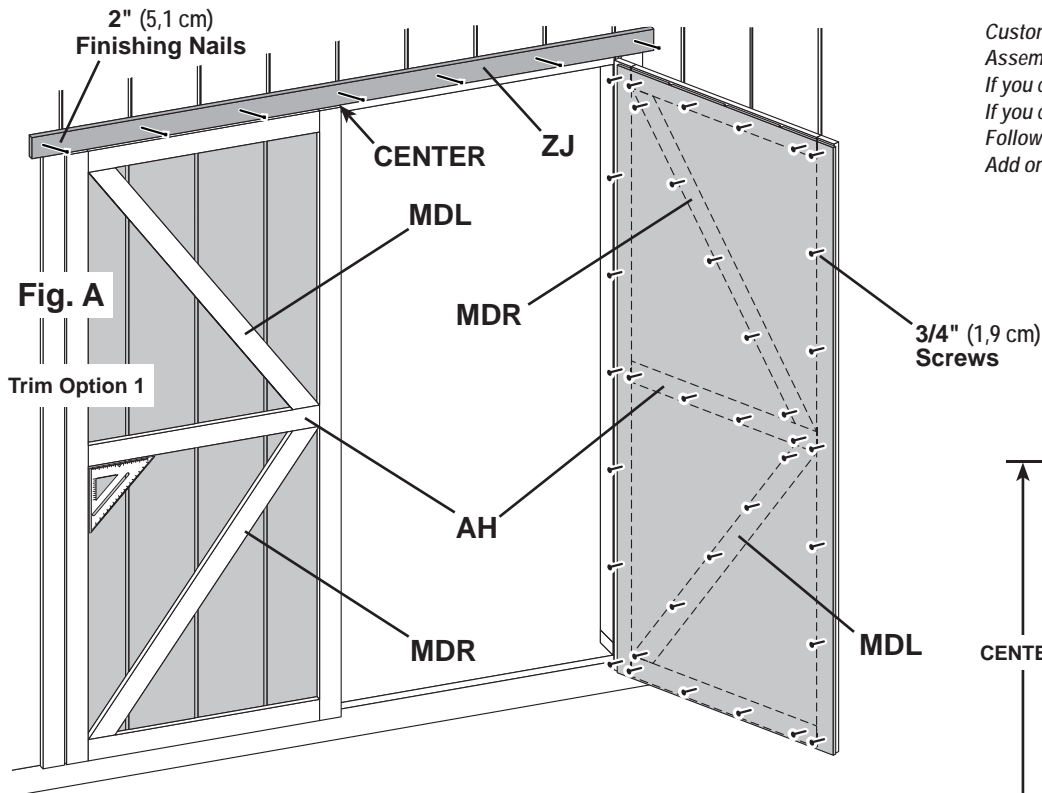
*You have 3 options for door trim, see Fig. C.*

**Fig. C**

- 1 Arrange trim **AH**, **MDL** and **MDR** as shown. Square **AH** before fastening. Fasten trim to each door from inside with 3/4" screws (**Fig. A, Fig B**).
- 2 Center trim **ZJ** over doors and secure with (7) 2" finishing nails into framing, as shown.



Customize your door trim; use 1 of 3 options: Assembly for Option 1 is shown in Fig. A. If you choose Option 2, reverse MDL and MDR. If you choose Option 3, center AH horizontally. Follow steps 1, 2 and 3. Add or subtract more screws as needed.



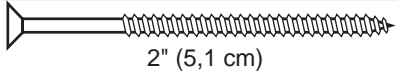
Your door trim is now installed.



# DOOR STIFFENERS

## PARTS REQUIRED:

x2 **OO**  
69" (175,3 cm) Door Stiffener

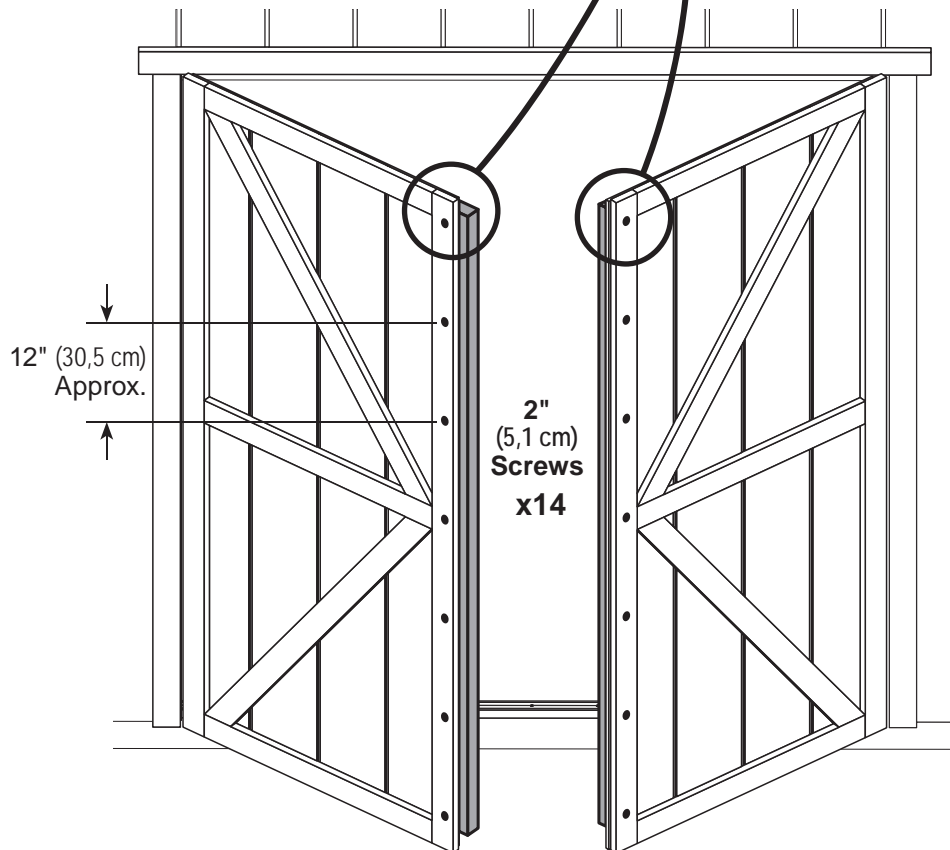
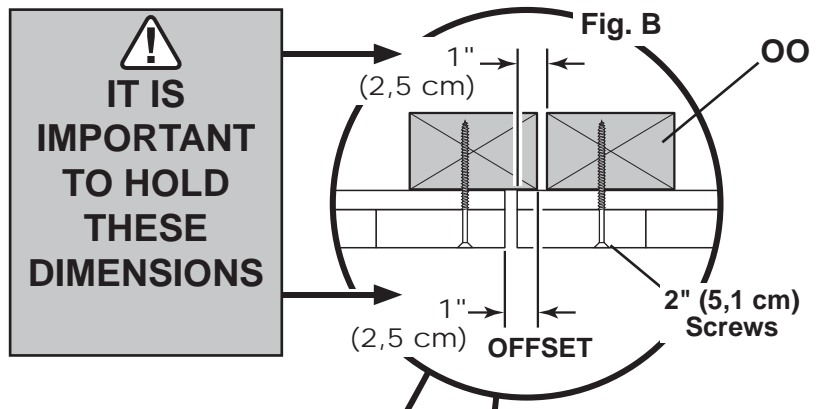
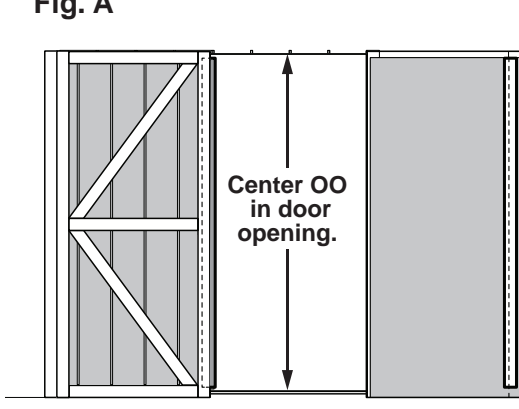
x14   
2" (5,1 cm)



### ✓ BEGIN

- 1** Center **OO** vertically on the left door in the doorway (**Fig. A**) overlapping 1" (2,5 cm) along the edge of door (**Fig. B**).  
Secure with (7) 2" screws through outside trim into **OO**.
- 2** Center **OO** vertically on the right door in the door opening offset 1" (2,5 cm) from the edge of door (**Fig. B**).  
Secure with (7) 2" screws through outside trim into **OO**.

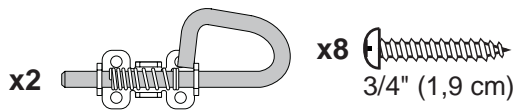
**Fig. A**



Your door stiffeners are now installed.

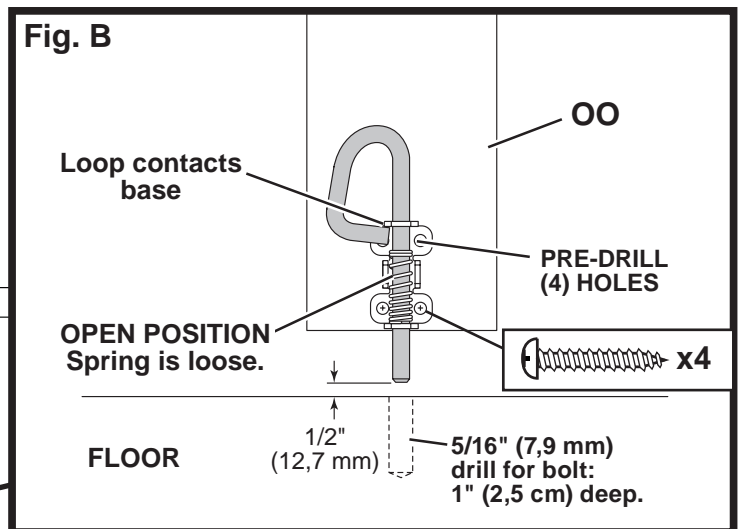
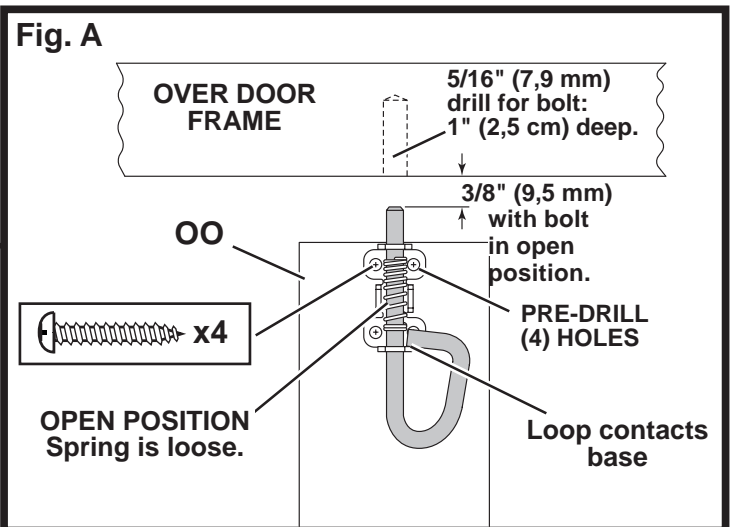
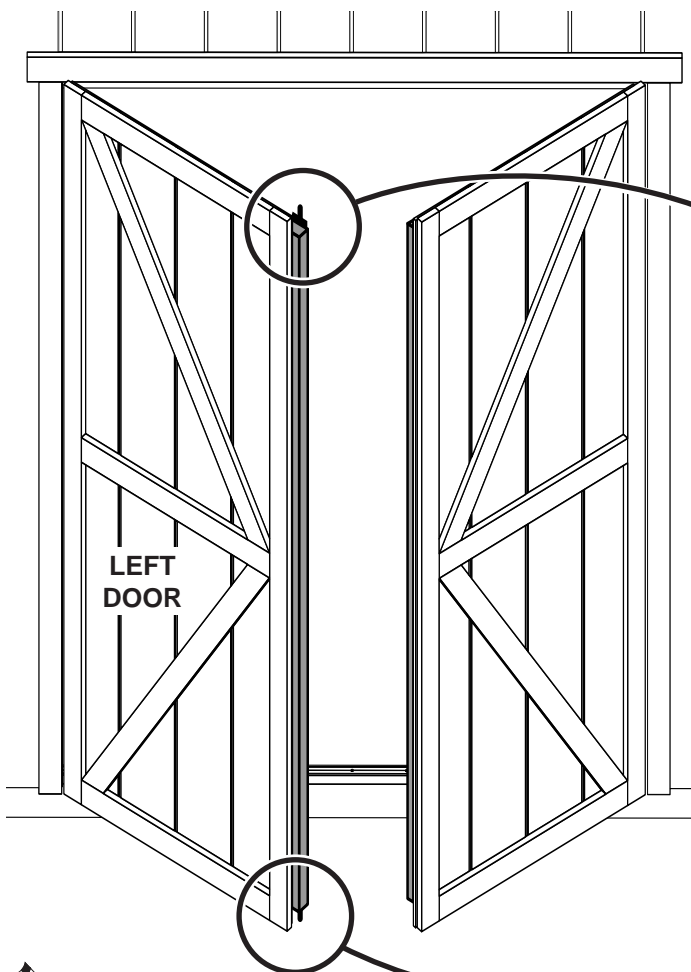
# DOOR HARDWARE

## PARTS REQUIRED:



### ✓ BEGIN

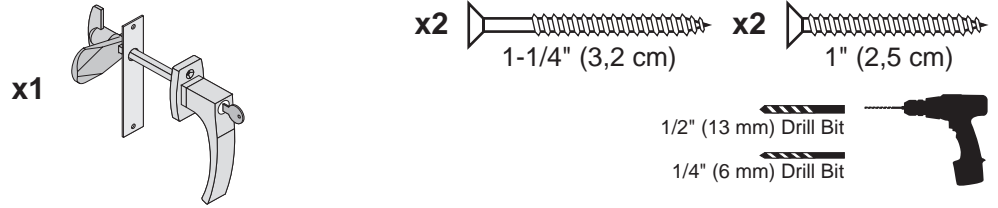
- 1 Place bolt on **OO** in open position with bolt end 3/8" (9,5 mm) down from frame. Bolt is open when loop is contacting base (**Fig A**).
- 2 Mark and pre-drill holes for screws. Install bolt with screws supplied.  
Drill 5/16" (7,9 mm) hole deep enough for bolt to slide into.
- 3 Place bolt on **OO** in open position with bolt end 1/2" (12,7 mm) up from floor. Bolt is open when loop is connecting base (**Fig. B**).
- 4 Mark and pre-drill holes for screws. Install bolt with screws supplied.  
Drill 5/16" (7,9 mm) hole deep enough for bolt to slide into.



Your spring bolts are now installed.

# DOOR HARDWARE

## PARTS REQUIRED:



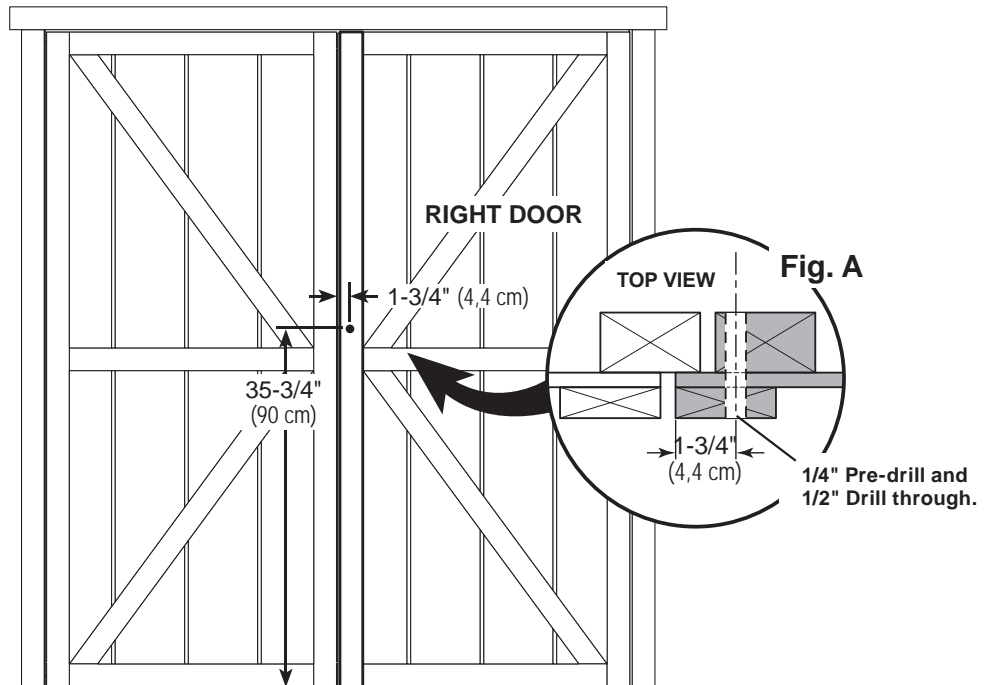
### ✓ BEGIN

- 1 Measure and mark location of hole on outside of right door as shown (Fig. A).  
Pre-drill hole with 1/4" drill.

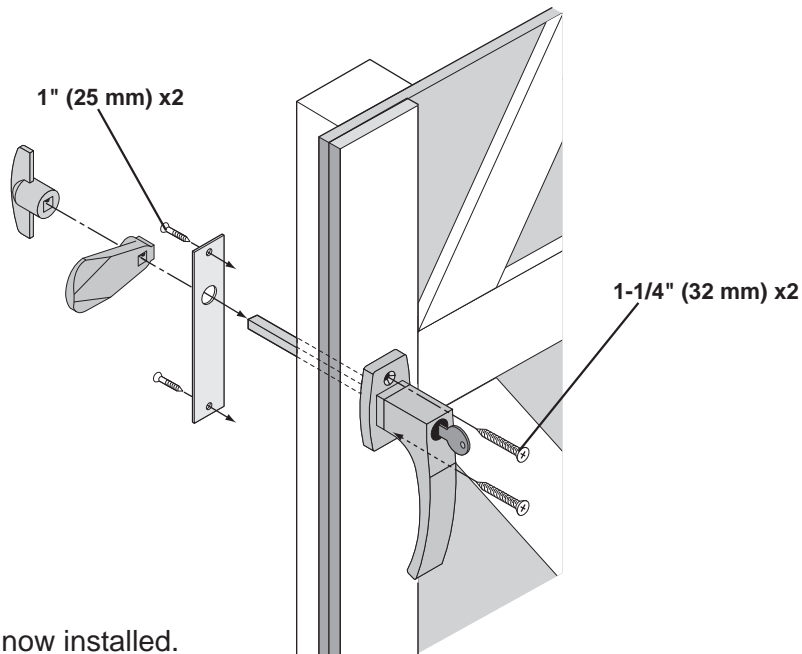
Re-drill hole with 1/2" drill.



Keep drilled hole square to trim to avoid breaking edge of door stiffener.



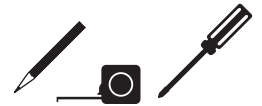
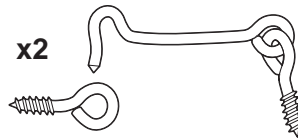
- 2 Secure backplate with 1" screws and handle with 1-1/4" screws as shown.



Your door handle is now installed.

## HOOK & EYE

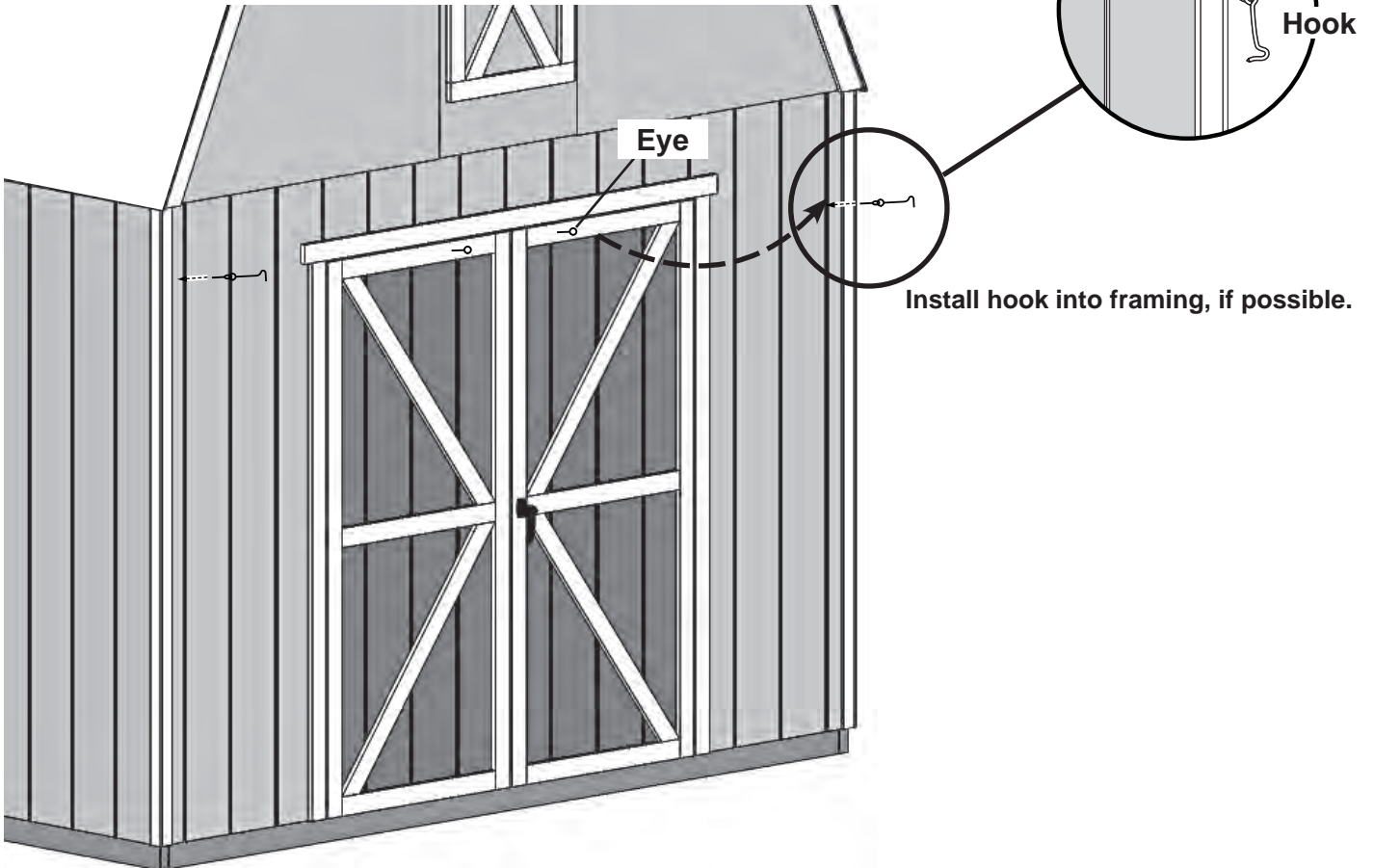
### PARTS REQUIRED:



### ✓ BEGIN

1 Install hooks in wall and into framing behind (Fig.A).

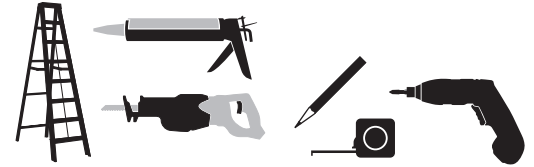
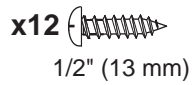
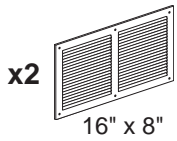
2 Swing door open to locate eye.



You have installed your hook & eyes.

## VENT (Not included in kit.)

- Follow directions provided by manufacturer and these instructions.



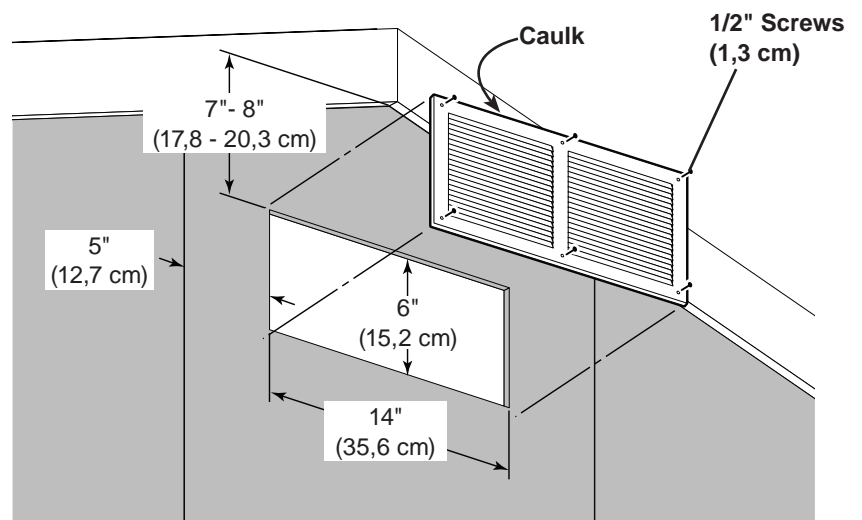
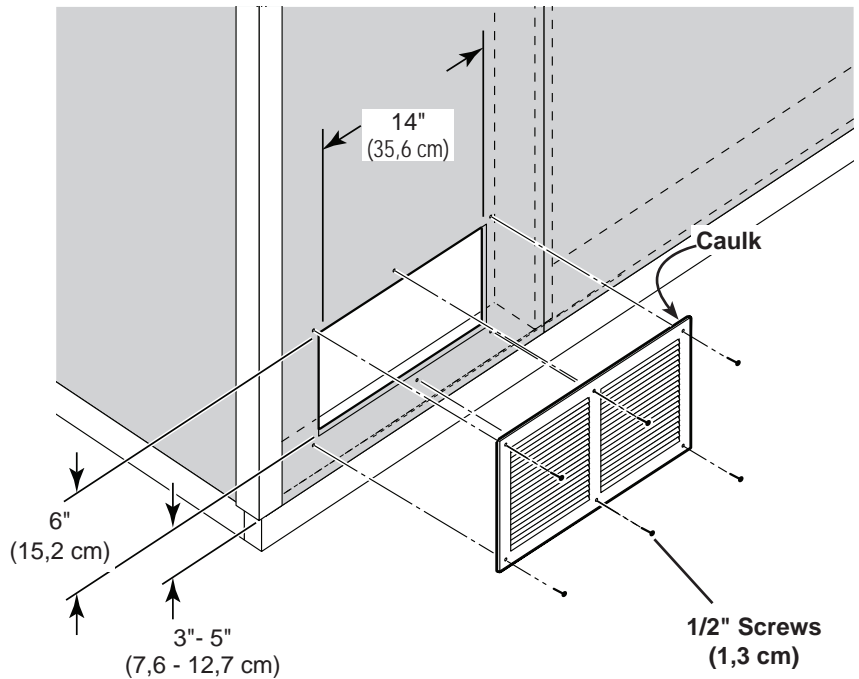
### ✓ BEGIN

- 1 Locate and mark for two vents in side walls as shown; (1) at top and (1) at bottom.

Cut out marked openings.

Caulk behind vent flanges.

Secure with 1/2" screws.



Your vents are now installed.

## PAINT & CAULK

- NOT INCLUDED -



- Use acrylic latex caulk that is paintable. Caulk at all horizontal and vertical seams, between the trim and walls, and all around the door trim.
- Use a high quality exterior acrylic latex paint. When painting your building, there are a few key areas that can be easily overlooked that must be painted:
  - Bottom edge of all siding and trim
  - Inside of doors and all 4 edges

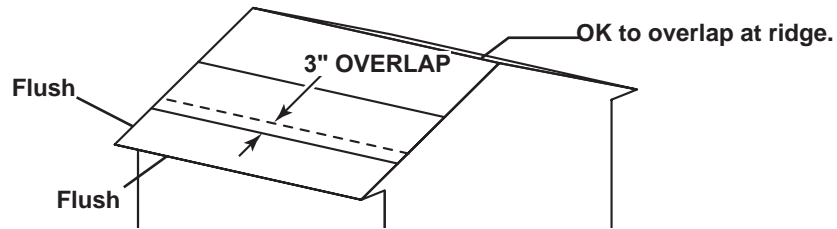
### Note:

Prime all un-primed exterior wood before painting.  
(Follow directions provided by manufacturer.)

## ROOF FELT


- NOT INCLUDED -

- Install felt flush to all roof edges overlapping 3". Use minimal amount of roofing nails to hold in place.

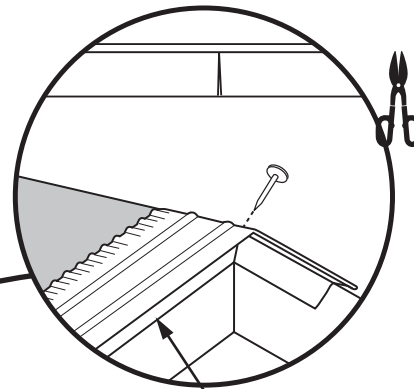
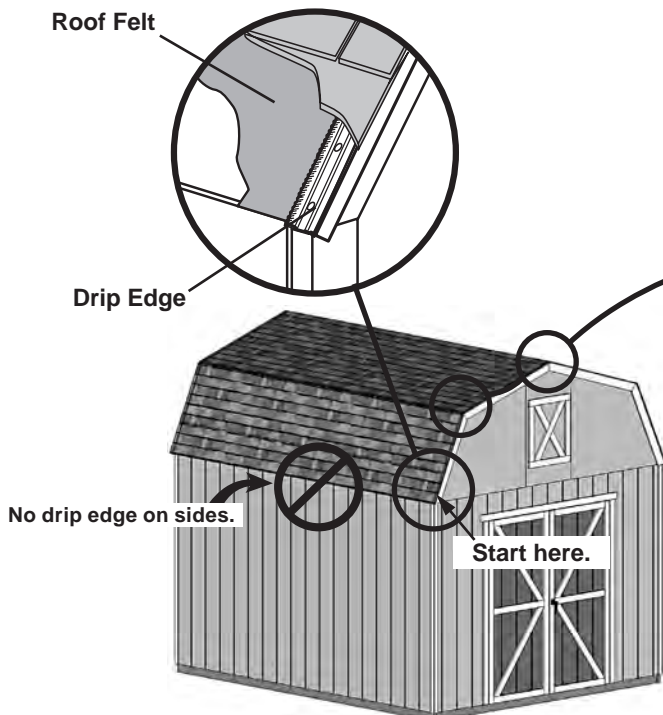


## DRIP EDGE

- NOT INCLUDED -

 Drip edge is only installed on the front and back sides of this shed.

- Install over roof felt or over roof deck.
- Do not use nails on side of drip edge that hangs over side of building.
- Only nail top of drip edge as shown.



Edge flush to trim.

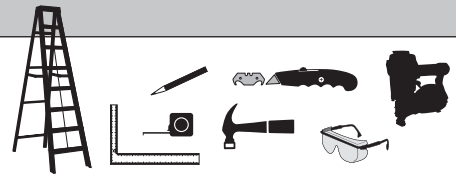
Snip bottom side of drip edge and bend over to other side of roof.

(Follow directions provided by manufacturer.)

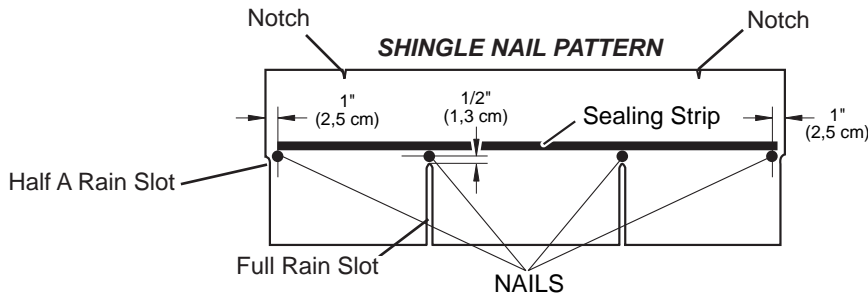
NOTE: 10' x 12' Model Shown.

# SHINGLES - NOT INCLUDED -

• Follow directions provided by manufacturer and these instructions.



**!** Familiarize yourself with a 3-Tab Shingle.

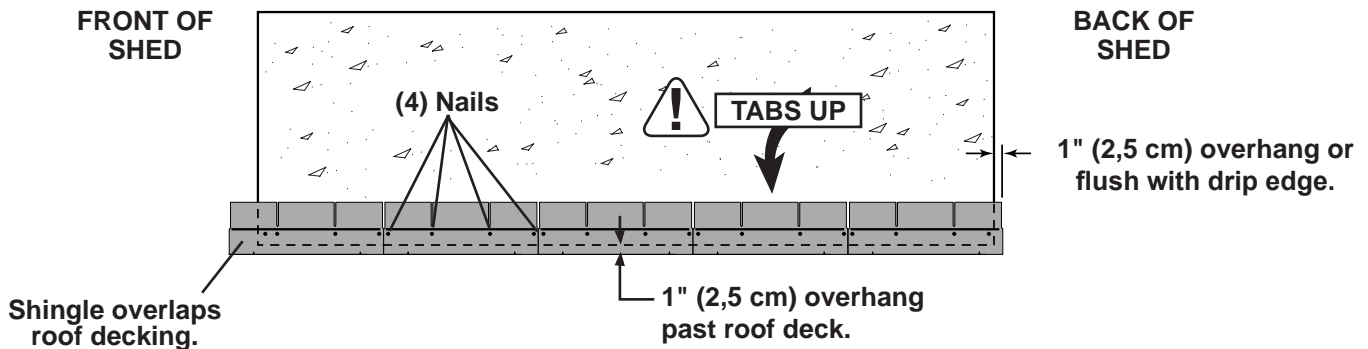


**!** NEVER DRIVE FASTENERS INTO OR ABOVE SEALING STRIPS.

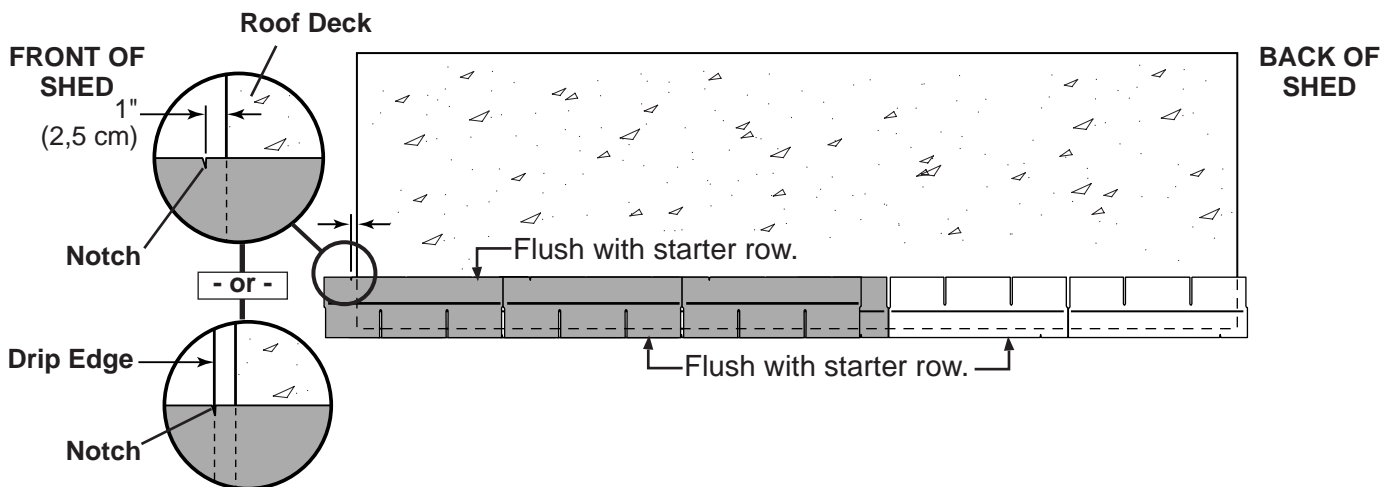
**✓** BEGIN

**1** Install first starter row upside down and color up with a 1" overhang at back and bottom of roof panel. Use (4) nails per shingle. Starter row must be straight and level all the way across with lower edge of roof deck.

**NOTE:** If you have installed drip edge install shingles flush to drip edge.

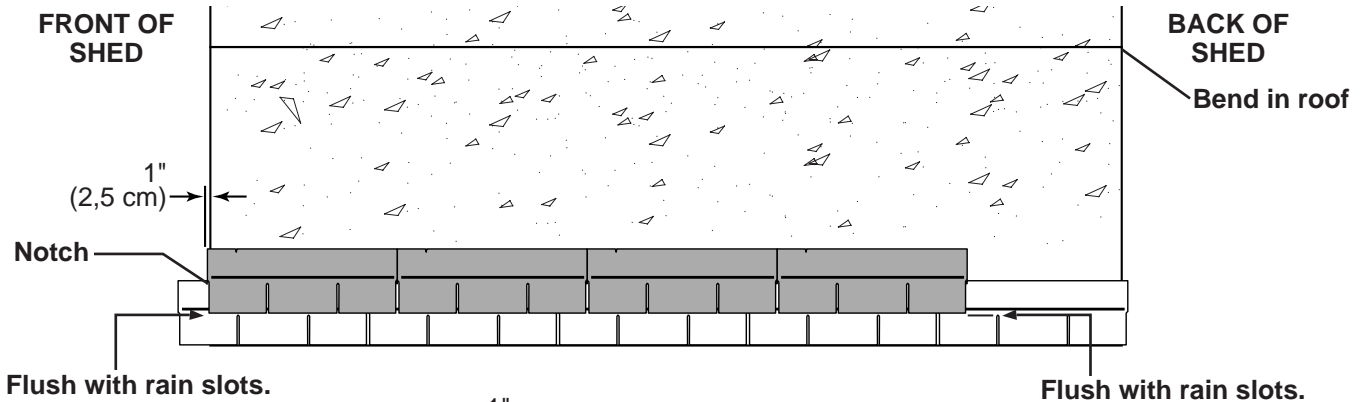


**2** Beginning at front of shed, install first row of shingles with notch at 1" past roof edge or flush with drip edge.

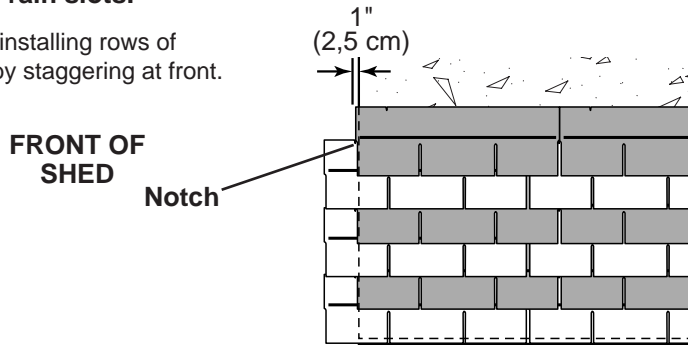


# SHINGLES continued...

- 3** Install second row of shingles flush at top of first row's rain slots. Ensure 1" overhang or flush to drip edge at front, stagger each row.



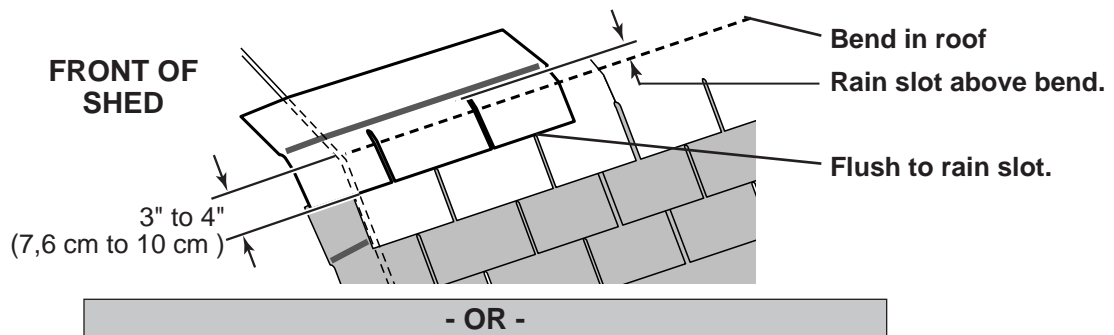
- 4** Continue installing rows of shingles by staggering at front.



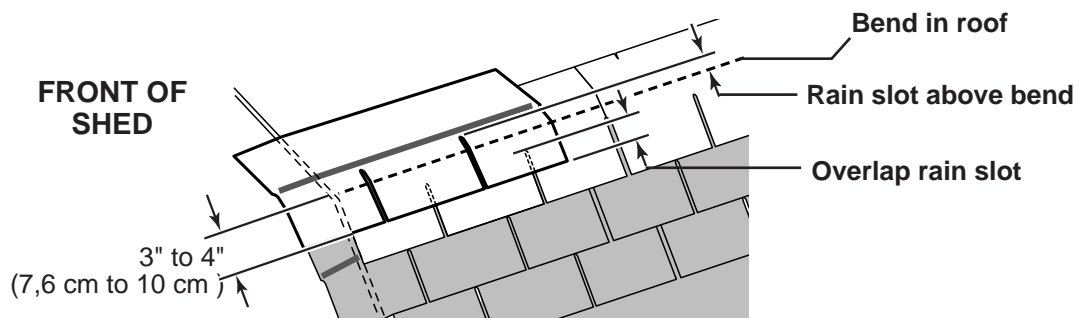
- 5** The shingle over the bend in the roof will be nailed down. You will need 3" to 4" of this shingle to extend downward over the bend for nailing.

Look for either of the following:

- If the rain slot of the shingle installed over the bend is ABOVE the bend and 3" to 4" of it overhangs down over the bend, continue shingling up to the peak. You have enough to nail shingle down over the bend.



- If the rain slot of the shingle installed over the bend is BELOW the bend, install the shingle over the bend and overlap the rain slot to get the 3" to 4" overlap.

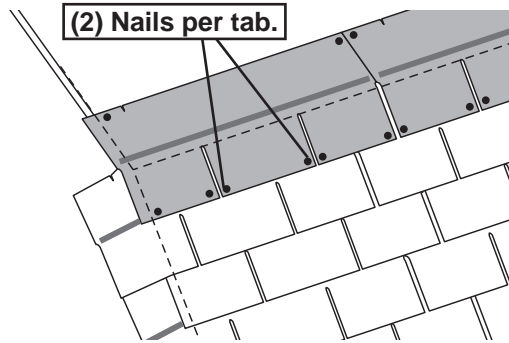


**!** The shingle OVER the bend must be installed with a 3" to 4" overlap **AND** the rain slot above the bend.

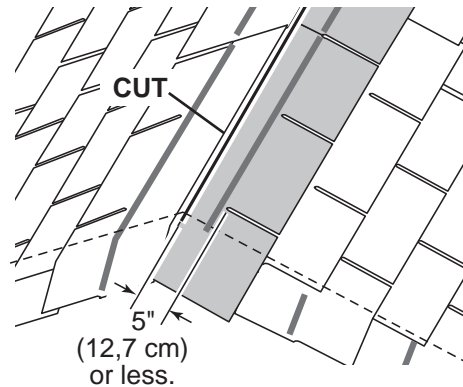
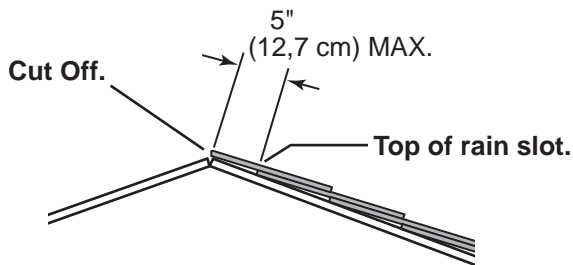


## SHINGLES continued...

- 6 After shingles are installed over bend, nail down overlap using two roofing nails per tab.



- 7 Continue installing rows of shingles to the peak. At the peak make sure there is a maximum of 5" or less to the rain slot, as shown below. If shingles overlap at ridge cut to peak with a utility knife.

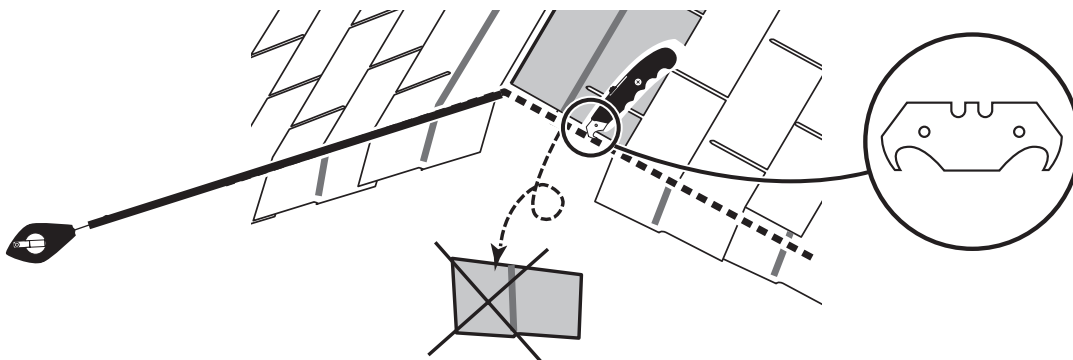


- ! • If more than 5" to rain slot you must install another row of shingles.

- 8 Repeat steps 1 - 7 to shingle the opposite side of your roof. Trim shingles at ridge.

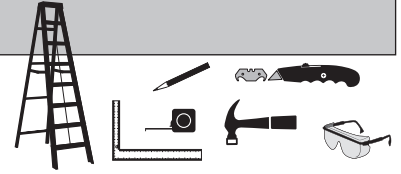
- 9 Once both sides are shingled you need to trim ends. Strike a chalk line 1" from edge.

- 10 Using your shingle hooked blade carefully cut shingles along chalk line.



You have finished shingling your roof. Proceed to capping the ridge.

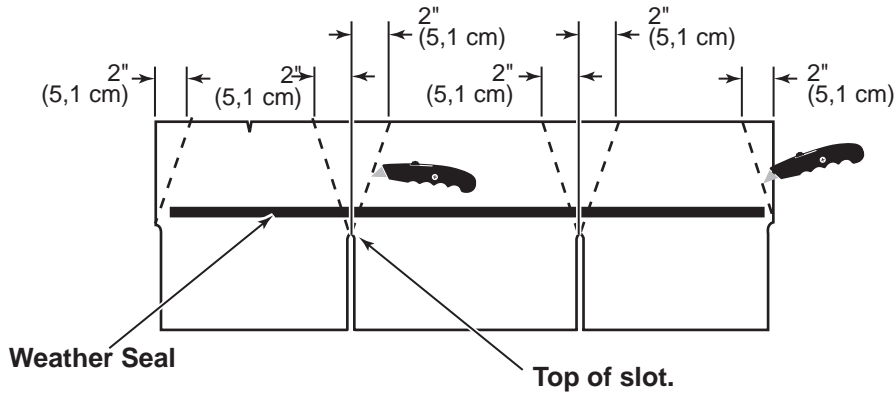
# SHINGLES - RIDGE CAP



• You will finish off the top of the roof with a ridge cap made from shingles.

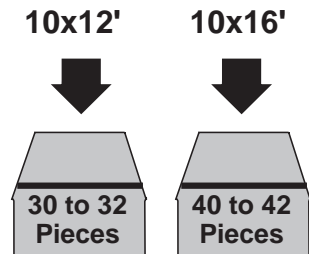
## ✓ BEGIN

**1** Cut shingles in THREE pieces. Hint: Use cut-off pieces first.

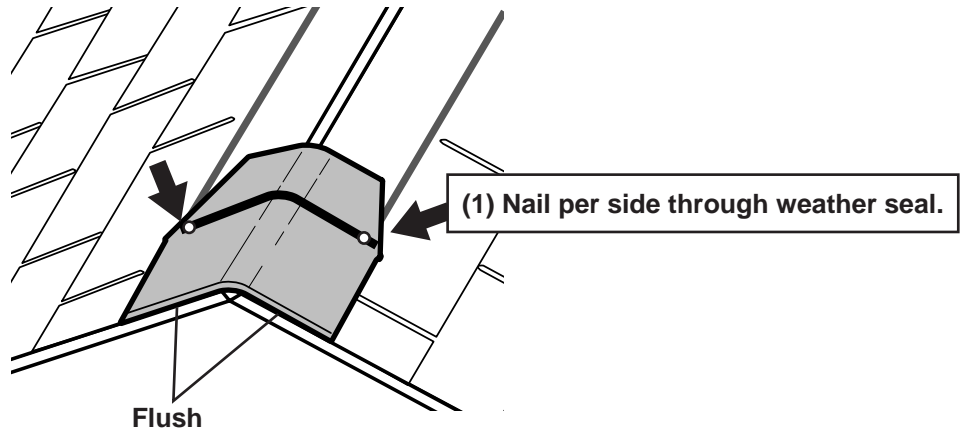


Score shingle, then snap-off angled cut.

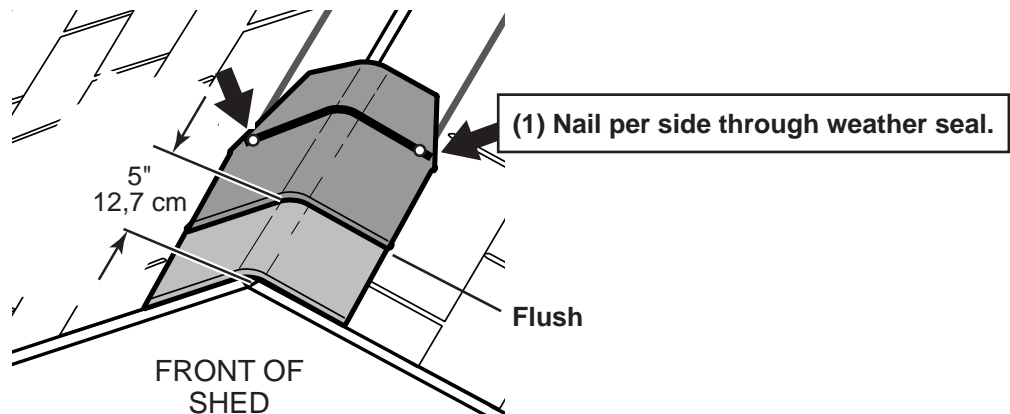
Note: • You will need about 30 - 32 cut pieces for 10' x 8' model  
• You will need about 38 - 40 cut pieces for 10' x 12' model



**2** Install first ridge cap flush to shingles at front, as shown.



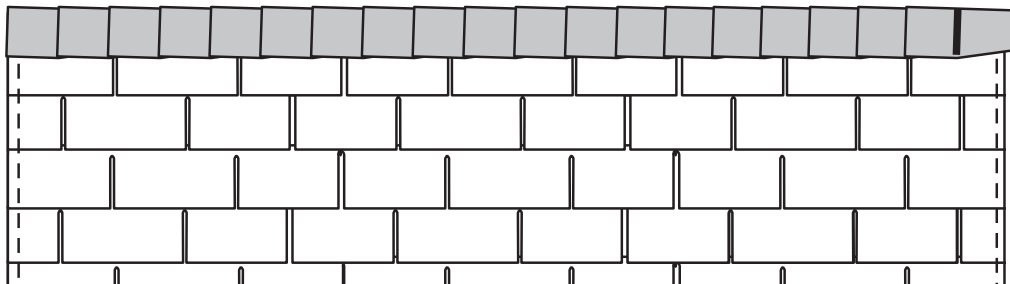
**3** Install second ridge cap 5" back, as shown.



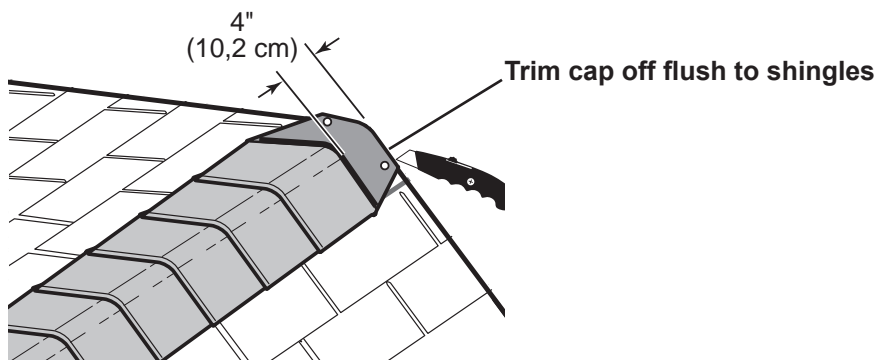
# SHINGLES - RIDGE CAP

continued...

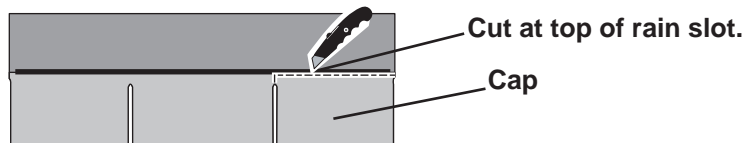
4 Continue installing ridge cap to back of roof.



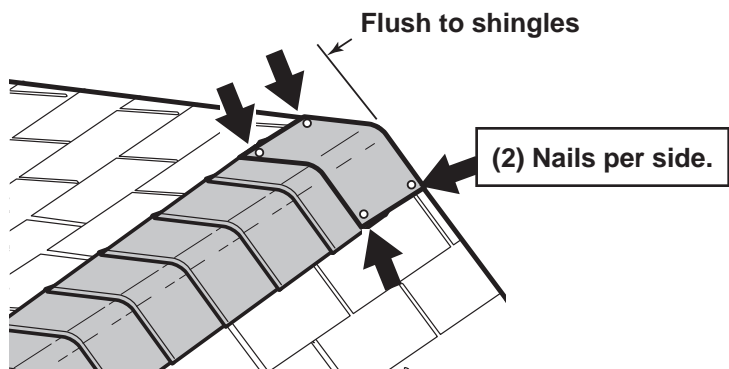
5 Make sure there is 4" between the shingle-color and edge of shingles.



6 When you have 4" minimum of shingle color cut one piece to cap your roof.



7 Install flush to shingles.



You have finished your ridge cap.

# 16941 10' x12' Order Form

CATEGORY	PART DESCRIPTION	PART SIZE	PART ITEM #	BUILDING QTY.	PART ID
<b>2 X 3</b>	Loft Ledger Board "A"	LUM SPF 2X3X96 #2&BTR	12115	1	<b>PT</b>
	Loft Ledger Board "B"	2 X 3 X 23 7/8"	Q 2314000000	1	<b>LW</b>
<b>2 x 4</b>	Back Wall Top & Btm "A" / Dblr "A" / Loft	LUM SPF 2X4X96 #2&BTR	12306	9	<b>TP</b>
	Side Wall T & B Plate "A" / Dblr "B"	LUM SPF 2X4X92-5/8 #2&BTR	12305	4	<b>TJ</b>
	Side Wall B Plate "B"	2 X 4 X 44 3/8" PLATE	O 4406000000	2	<b>HVC</b>
	Side Wall Top Plate	2 X 4 X 68-1/2"	O 6808000000	4	<b>YFA</b>
	Doubler "C"	2X4X48" DOUBLER/ PLATE/ CRATE	O 4800000000	2	<b>SP</b>
	Doubler "D"	2 X 4 X 20 3/8" DOUBLER	O 2006000000	2	<b>JBD</b>
	Back Wall T & B Plate "B" / Loft Support	2 X 4 X 24" DOUBLER / PLATE	O 2400000000	6	<b>RL</b>
	Front Wall Plate "A"	LUM SPF 2X4X84 #2&BTR	12307	2	<b>TO</b>
	Front Wall Plate "B"	2 X 4 X 36"	O 3600000000	2	<b>SL</b>
	Wall Studs	2 X 4 X 78 1/2"	O 7808000000	22	<b>AI</b>
	Jack Studs	2 X 4 X 68" STUD	O 6800000000	2	<b>UM</b>
	Over Door Crippler	2 X 4 X 7"	O 0700000000	5	<b>AL</b>
	Header	2 X 4 X 67"	O 6700000000	2	<b>AM</b>
	Upper Truss	2 X 4 X 48" 17"-24"	O 48001724000	14	---
	Lower Truss	2 X 4 X 35" 24"-24" TRUSS PART	O 35002424000	14	---
	Front / Rear Gable Connector	2 X 4 X 39" 17" O/E CONNECTOR	O 39001700000	4	<b>QL</b>
	<b>1 X 3 PINE</b>	Gauge Block	1 X 3 X 5" PINE FILLER	U 0500000000	1
<b>7/16 OSB</b>	Upper Roof Panel "A" / Loft Deck "B"	OSB 7/16" x 4' x 8"	11110	3	---
	Upper Roof Panel "B"	7/16" OSB 47 7/8" X 48" ROOF	C 48004714000	2	---
	Lower Roof Panel "A"	7/16" OSB 23 7/8" X 96" ROOF	C 96002314000	2	---
	Lower Roof Panel "B"	7/16" OSB 23 7/8" X 48" ROOF &	C 48002314000	2	---
	Door Header Filler	7/16" OSB 3 1/4" X 66 3/4" HEADER	C 66120304000	1	---
	Loft Deck "B"	7/16" OSB 15 7/8" X 48" PANEL	C 48001514000	1	---
	Soffit Roof Panel "A"	7/16" OSB 11 7/8" X 96"	C 96001114000	2	---
	Soffit Roof Panel "B"	7/16" OSB 11 7/8" X 48"	C 48001114000	2	---
<b>GUSSETS</b>	Gusset	EZ 8" / OSB 6" X24" GUSSET 17"	J 24000600170	12	---
<b>NO GROOVE SIDING</b>	Center Gable Panel With HOLE	3/8" NG 23 7/8" X 47 1/8" GABL	K 47022314FXW	1	---
	Center Gable Panel	3/8" NG 23 7/8" X 47 1/8"	K 47022314000	1	---
	Front / Rear Gable Panel - Right	3/8" X 43-3/8" X 48" RIGHT GABLE	K 48004306344	2	---
	Front / Rear Gable Panel - Left	3/8" X 43-3/8" X 48" LEFT GABLE	K 48004306444	2	---
	Corner Trim	3/8" NG 1 3/4" X 83-1/4"	K 83040112000	8	---
<b>8OC SIDING</b>	Rearwall Panel "A" / Side Panel	SIDING 8" OC 4'X7'	11506	7	---
	Rear Panel "B"	EZ 8" 23 7/8" X 84" WALL PANEL	J 84002314000	3	---
	Frontwall Panel "A"	EZ 8" 11 7/8" X 84" PANEL	J 840011140WG	1	---
	Frontwall Panel "B"	EZ 8" 11 7/8" X 84" PANEL	J 84001114NOG	1	---
	Frontwall Panel Right	EZ 8" 48" x 84" RIGHT FRONTWALL	J 84004800101	1	---
	Frontwall Panel Left	EZ 8" 48" x 84" LEFT FRONTWALL	J 84004800201	1	---
<b>19/32 X 3 SMART TRIM</b>	Vertical / Over Door Trim	19/32 TST 2 1/2" X 72" TRIM	UT72000208000	1	<b>ZJ</b>
	Long Cross Buck - Right	19/32 TST 2 1/2" X 62" 22.5"	UT62000208221	1	<b>AHR</b>
	Long Cross Buck - Left	19/32 TST 2 1/2" X 62" 22.5"	UT62000208222	1	<b>AHL</b>
	Horizontal Door Rail	19/32 TST 2 1/2" X 26 5/8"	UT26100208000	2	<b>AH</b>
	Horizontal & Vertical Window Trim	19/32 TST 2 1/2" X 21 3/4"	UT21120208000	4	<b>KX</b>
<b>19/32 X 4 SMART TRIM</b>	Lower Gable Trim Right	2 X 4 X 36" 24"/24" RIGHT	UT36002424100	2	<b>ZJR</b>
	Lower Gable Trim Left	2 X 4 X 36" 24"/24" LEFT	UT36002424200	2	<b>ZJL</b>
	Upper Gable Trim Right	19/32 TST 3 1/2" X 48 5/16" RGT	UT48051724100	2	<b>ZQR</b>
	Upper Gable Trim Left	19/32 TST 3 1/2" X 48 5/16" LFT	UT48051724200	2	<b>ZQL</b>
<b>PURCHASED COMPONENTS</b>	Door Stiffener	LSL 1-1/4 X 2-1/4 X 69 PET	12715	2	<b>OO</b>
	Gable Window	WINDOW 16-3/4X21-3/4 TRANSOM	15284	1	---
	Black T-Handle / Faux Hinges / Screws	HANDLE - T & "D" HANDLES, FAUX	15220	1	---
	Hardware Kit	H/K CLASSIC SERIES PROD IMPROV	15876	1	---
	Threshold	THRESHOLD 7/8" X 1-1/2" X 63-7/8"	15420	1	---
<b>PACKAGING</b>	Instructions		16941	1	---
<b>Right Door Assembly</b>	<b>30222-R</b>				
	Door Panel	EZ 8" 31 1/4" X 71 3/8" Door Panel	J 7106310400C	1	---
	Right Hinge Assembly	HINGE RIGHT (RED) 19/32x3 THIN TRIM	30121-TT	1	---
	Vertical Door Stiles	19/32 TST 2 1/2" X 71 5/8"	UT71100208000	2	<b>GY</b>
	Horizontal Door Rails	19/32 TST 2 1/2" X 26 5/8"	UT26100208000	2	<b>AH</b>
<b>Left Door Assembly</b>	<b>30222-L</b>				
	Door Panel	EZ 8" 31 1/4" X 71 3/8" Door Panel	J 7106310400C	1	---
	Left Hinge Assembly	HINGE LEFT (GREEN) 19/32x3 THIN TRIM	30131-TT	1	---
	Vertical Door Stiles	19/32 TST 2 1/2" X 71 5/8"	UT71100208000	2	<b>GY</b>
	Horizontal Door Rails	19/32 TST 2 1/2" X 26 5/8"	UT26100208000	2	<b>AH</b>
<b>Sub Assembled Truss</b>	<b>30085-M</b>				
	Upper Truss	2 X 4 X 48" 17"-24"	O 48001724000	1	---
	Lower Truss	2 X 4 X 35" 24"-24" TRUSS PART	O 35002424000	1	---
	Truss Plate	PLATE MENING 2 1/2 X 6" 20 GA	15704	2	---

### LIMITED CONDITIONAL WARRANTY\*

Backyard Storage Solutions, LLC warrants the following:

1. Every product is warranted from defects in workmanship and manufacturing for 1 year.
2. All accessories, hardware and metal components are warranted for 2 years.
3. All Oriented Strand Board (OSB) is warranted for 2 years
4. Siding and Trim is warranted for 15 years.
5. LP Prostruct® Flooring is warranted for 10 years
6. Cedar lumber is warranted for 15 years.
7. Preserved Pine is warranted for 10 years.
8. Redwood is warranted for 10 years.
9. Metal Roof is warranted for 25 years.

Backyard Storage Solutions, LLC will repair, replace or pay for the affected part. In no event shall Backyard Storage Solutions, LLC pay the cost of labor or installation or any other costs related thereto. All warranties are from date of purchase. If a cash refund is paid on an affected part, it will be prorated from the date of purchase.

### CONDITIONS

The warranty is effective only when:

1. The unit has been erected in accordance with the assembly instructions.
2. The unit has been properly shingled and painted or stained and regularly maintained thereafter.
3. The failure occurs when the unit is owned by the original purchaser.
4. Backyard Storage Solutions, LLC has received the warranty registration card within thirty (30) days of purchase and notification of the failure in writing within the warranty period specified above.
5. Backyard Storage Solutions, LLC has had reasonable opportunity during the sixty (60) days following receipt of notification to inspect and verify the failure prior to commencement of any repair work.

### REQUIREMENTS

#### Storage Buildings

To validate your warranty, it is necessary to properly maintain your Backyard Storage Solutions, LLC unit; shingle the roof and paint or solid-colored stain the siding using quality, 100% acrylic latex exterior product with a minimum of two (2) coats within thirty (30) days of assembly; caulk above all doors and all horizontal and vertical trim boards; paint and seal all exposed edges, sides and faces of siding/trim and OSB siding to include all exterior walls and all sides and all edges of doors.

#### Gazebos & Pergolas

To validate your warranty, it is necessary to properly maintain your Backyard Storage Solutions, LLC unit. This includes treating all of the exposed cedar and pine surfaces on your gazebo or pergola structure with an exterior grade wood preservative, an exterior oil-based semi-transparent stain, an acrylic latex exterior paint or an acrylic latex solid color exterior stain within 30 days of assembly and as needed thereafter to maintain your warranty.

Keep vegetation trimmed away from building and make sure siding panels and trim do not come in contact with masonry or cement. The minimum ground clearance for siding must be one half inch (½ inch) from concrete slab or two and one half inches (2 ½") from the ground when building is erected or constructed on a treated wood floor kit. Water from sprinklers must be kept off unit. In no event will Backyard Storage Solutions, LLC be responsible for any indirect, incidental, consequential or special damages nor for failure(s) that are caused by events, acts or omissions beyond our control including, but not limited to, misuse or improper assembly, improper maintenance (which eventually leads to rot or decay) and acts of God. Backyard Storage Solutions, LLC will not be held responsible for any labor costs incurred to construct your unit.

This warranty gives you certain specific rights that vary from state to state.

### CLAIM PROCEDURE

To make a claim under this warranty, you can either call 1-888-827-9056 or email: [customerservice@backyardproducts.com](mailto:customerservice@backyardproducts.com).

Please have ready the information below when you call or include the information in your email:

1. The model and size of the product.
2. A list of the part(s) for which the claim is made.
3. Proof of purchase of the Backyard Storage Solutions, LLC item, as shown on the original invoice or receipt.
4. Run code: found on exterior product label or assembly instructions enclosed in the product package.

All other inquiries can be mailed to:

Backyard Storage Solutions, LLC  
Attn: Customer Service  
1000 Ternes  
Monroe, MI 48162

**\*WARRANTY TERMS MAY VARY OUTSIDE THE U.S.A.**

**IMPORTANT: This is your warranty certificate.**

15Y PSS BB GEN LDR: 3/20/2019