

Item # 1003 348 689

1003 348 769

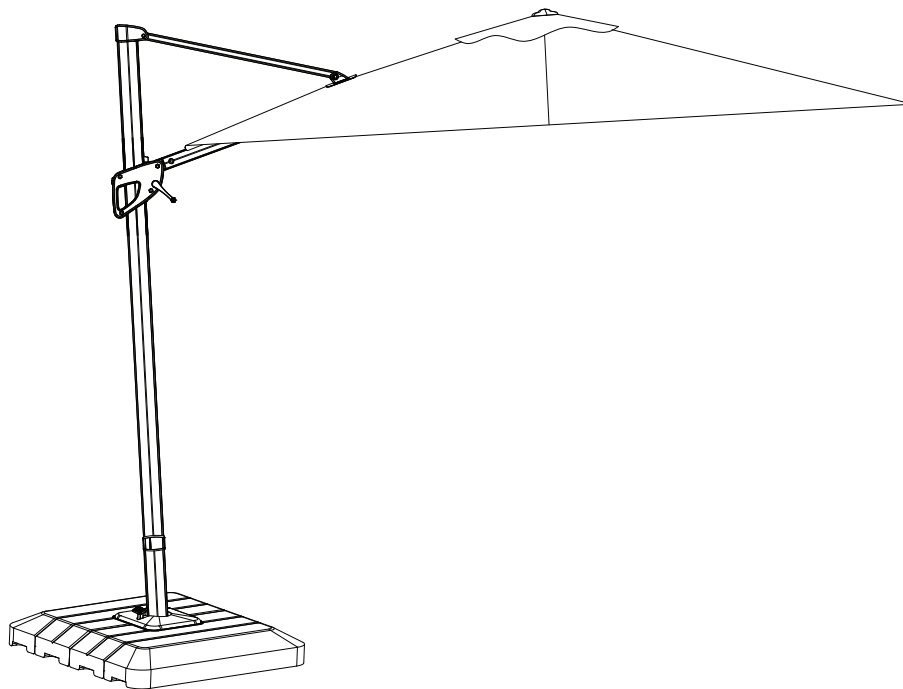
Model # YJAF-819C-Chili

YJAF-819C-Café

HAMPTON BAY®

USE AND CARE GUIDE

10 FT X 10 FT SQUARE OFFSET UMBRELLA



Questions, problems, missing parts? Before returning to the store,
call Hampton Bay Customer Service.

8 a.m. - 7 p.m., EST, Monday - Friday, 9 a.m. - 6 p.m., EST, Saturday

1-855-HD-HAMPTON

HAMPTONBAY.COM

THANK YOU

We appreciate the trust and confidence you have placed in Hampton Bay through the purchase of this umbrella. We strive to continually create quality products designed to enhance your home. Visit us online to see our full line of products available for your home improvement needs.

Thank you for choosing Hampton Bay!

Table of Contents

| | | | |
|--------------------------|---|------------------------|----|
| Table of Contents..... | 2 | Pre-Assembly..... | 3 |
| Safety Information | 2 | Planning Assembly..... | 3 |
| Product Caution | 2 | Hardware Included..... | 3 |
| Safety Warnings | 2 | Package Contents..... | 4 |
| Warranty | 2 | Assembly..... | 5 |
| What is Covered..... | 2 | Operation..... | 12 |
| What is Not Covered..... | 2 | Care and Cleaning..... | 16 |

Safety Information

PRODUCT CAUTION

This umbrella was made for the explicit purpose of providing outdoor functions and is not to be used as a toy. This product is intended for normal outdoor use; however, the manufacturer recommends storing and / or covering this umbrella when any formidable / severe weather is approaching. Do not locate this product near open flames. Do not use this product as a support. Do not shake, lean or climb on the product. Children under the age of 10, near the product, should be supervised by a competent adult at all times. This product is NOT intended for commercial use and will void the warranty.

SAFETY WARNINGS



WARNING: Please keep children out of the assembly area before assembly.



CAUTION: Always close and secure the product when not in use and in the event of inclement weather.



WARNING: This umbrella unit is heavy, and may require two adults for safe assembly.



CAUTION: Never use the umbrella in high wind conditions. Damage to the umbrella can occur.



WARNING: Never use this product as a support. Do not shake, lean, or climb on the product at any time.



CAUTION: Keep all flame and heat sources away from this product at all times.

Warranty

2 YEAR FRAME AND 2 YEAR FABRIC WARRANTY

WHAT IS COVERED

We warranty the frames to be free of manufacturing defects to the original purchaser for two years, and a two year limited warranty for the fabric.

WHAT IS NOT COVERED

It remains the customer's responsibility for freight and packaging charges to and from our service center. This warranty does not cover commercial use, hardware, acts of nature, fire, freezing, and abusive use. In addition, purchase parts are not covered under this warranty. We reserve the right to make substitutions with similar merchandise, if the model in question is no longer in production.

Contact the Customer Service Team at 1-855-HD-HAMPTON or visit www.HamptonBay.com.

Pre-Assembly

PLANNING ASSEMBLY

Read all instructions before assembly.

To avoid damaging this product, assemble it on a soft, non-abrasive surface such as carpet or cardboard.

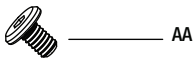


NOTE: More than one person may be required to assemble this product.

HARDWARE INCLUDED



NOTE: Hardware not shown to actual size.



AA



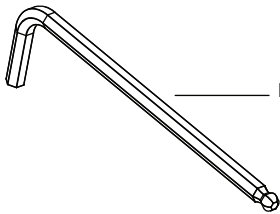
BB



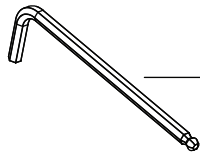
CC



DD



EE

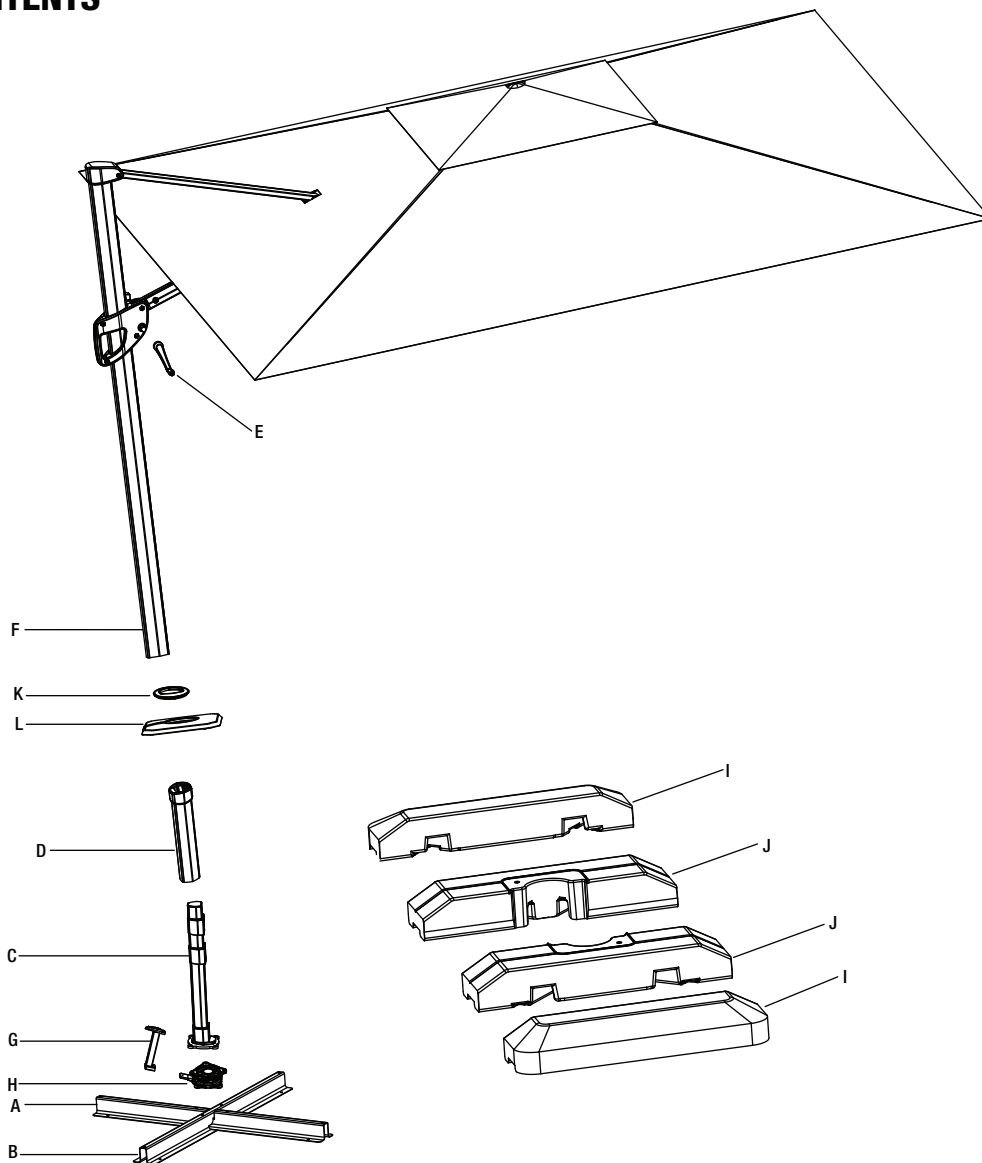


FF

| Part | Description | Quantity |
|------|-------------------------|----------|
| AA | M6x10 bolt | 1+1 |
| BB | M6x15 bolt | 1+1 |
| CC | M10x22 combination bolt | 4+1 |
| DD | M10x25 combination bolt | 4+1 |
| EE | M10 hex wrench | 1 |
| FF | M6 hex wrench | 1 |

Pre-Assembly (continued)

PACKAGE CONTENTS



| Part | Description | Quantity |
|------|---------------------|----------|
| A | Lower bracket | 1 |
| B | Upper bracket | 1 |
| C | Base tube | 1 |
| D | Lower umbrella pole | 1 |
| E | Crank | 1 |
| F | Umbrella shade | 1 |
| G | Pedal | 1 |
| H | Turn plate | 1 |
| I | Side base | 2 |
| J | Middle base | 2 |
| K | Upper base cover | 1 |
| L | Lower base cover | 1 |

Assembly

1 Pouring Sand and Water into the Bases

- Open the side bases (I) and the middle bases (J) in the counterclockwise direction.
- Pour sand and water into the side bases (I) and the middle bases (J).
- Close the side bases (I) and the middle bases (J) in the clockwise direction.



NOTE: Place the bases in the area where the umbrella is to be used. The umbrella will be very heavy after filled with sand and water.

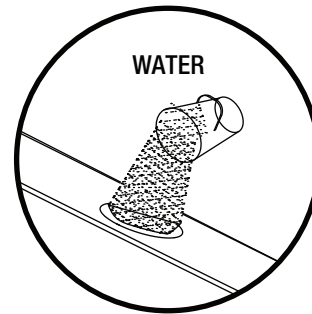
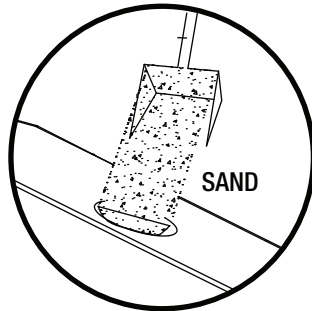
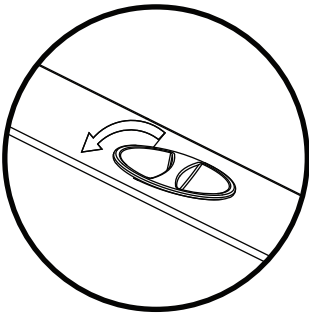


NOTE: The bases are OK to be filled with sand and water or can be filled with just water.

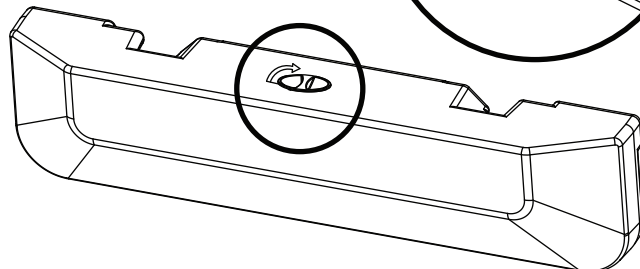
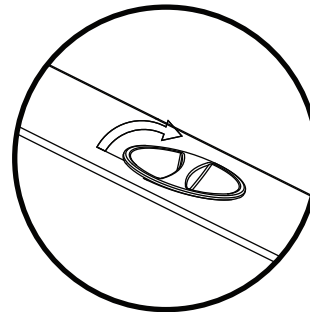


NOTE: For proper stability of the offset umbrella, please place 330.69 lb/150 kg in total of water and sand into the bases, or place at least 220.46 lb/100 kg total of water into the bases.

OPEN



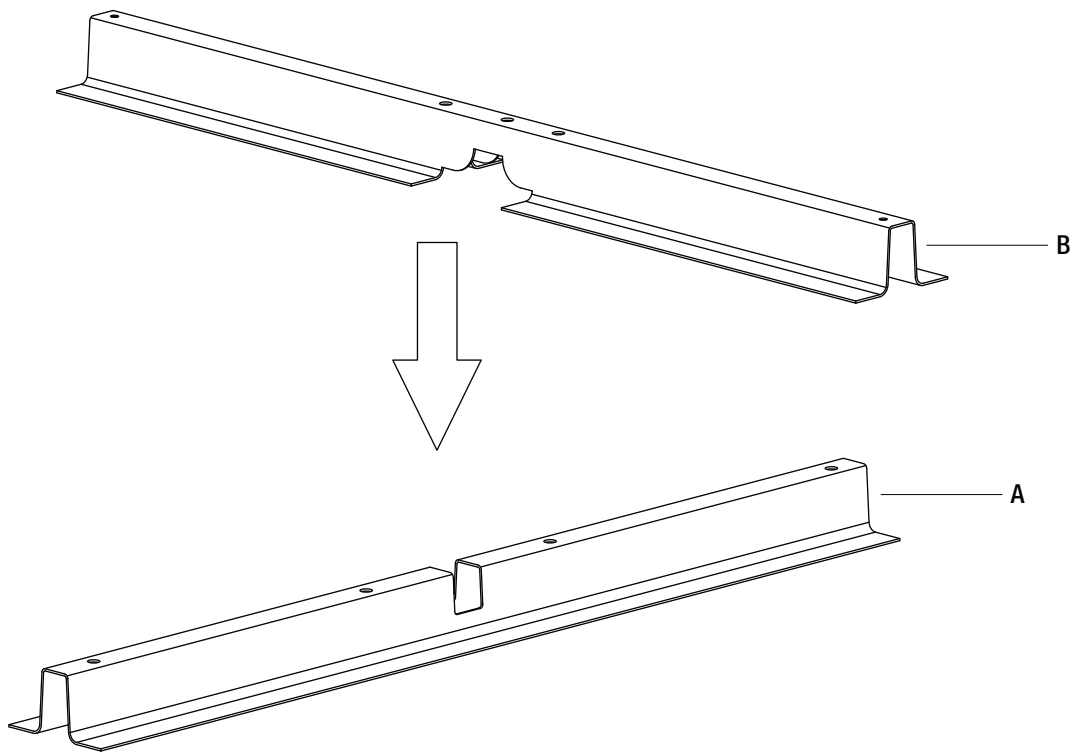
CLOSE



Assembly (continued)

2 Attaching the Brackets

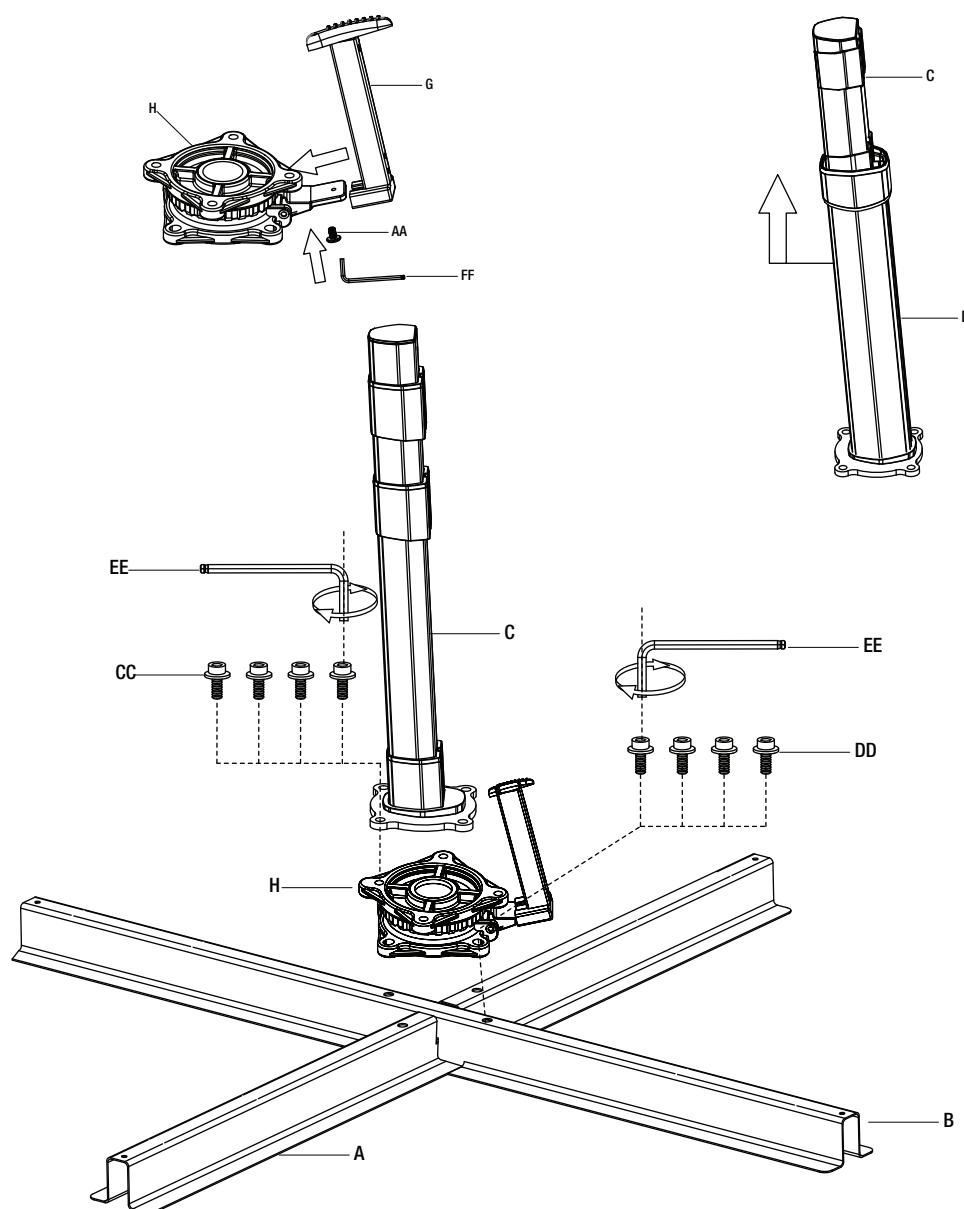
- Attach the upper bracket (B) onto the lower bracket (A).



Assembly (continued)

3 Attaching the Turn Plate to the Brackets and the Base Tube to the Turn Plate

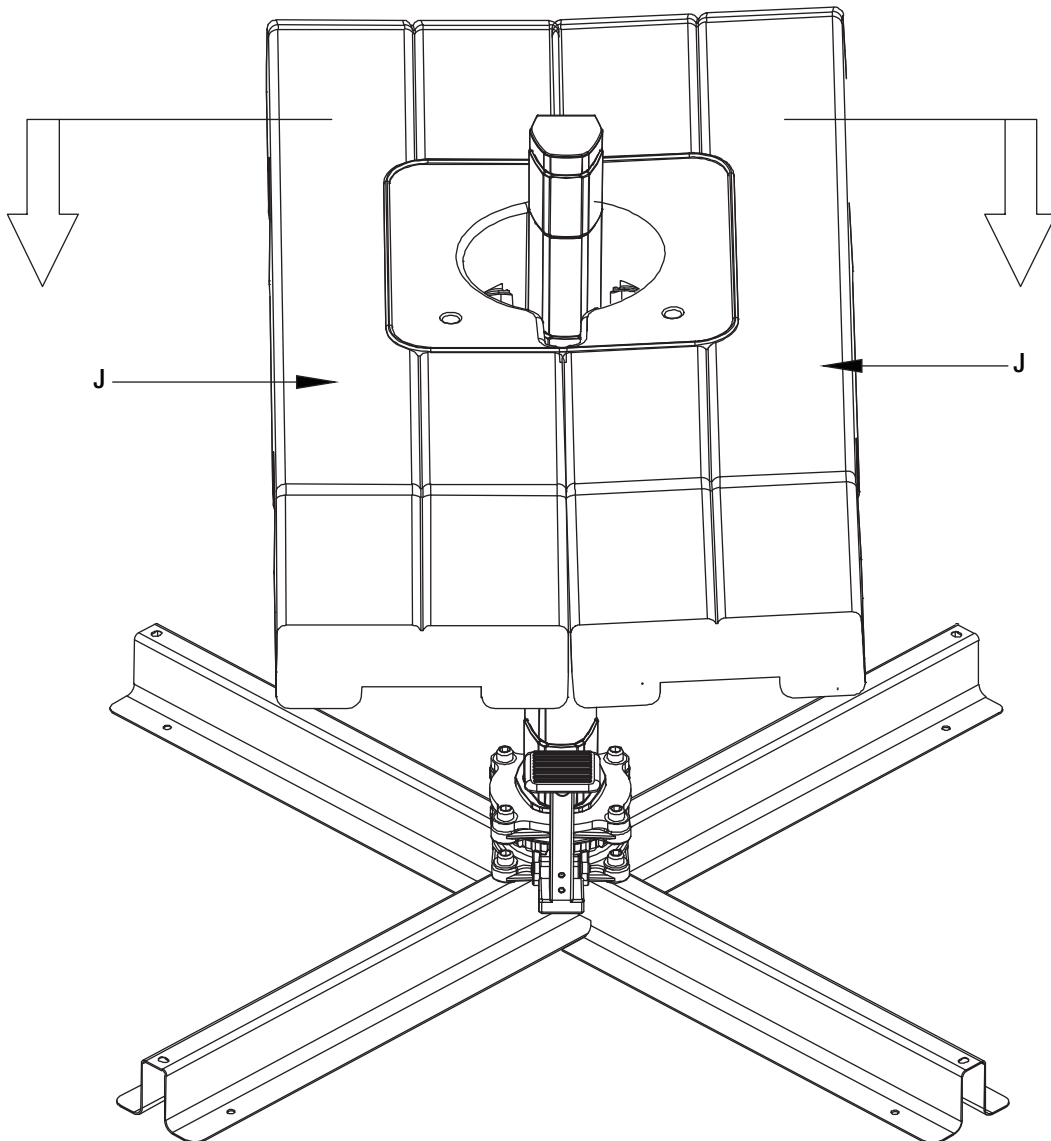
- Attach the pedal (G) to the turn plate (H) using M6x10 bolt (AA) and the M6 hex wrench (FF).
- Pull out the lower umbrella pole (D) from the base tube (C).
- Attach the turn plate (H) to the brackets (A and B) using M10x25 combination bolts (DD) and the M10 hex wrench (EE).
- Attach the base tube (C) to the turn plate (H) using M10x22 combination bolts (CC) and the M10 hex wrench (EE).
- Fully tighten all the bolts at this step.



Assembly (continued)

4 Attaching the Middle Bases to the Brackets

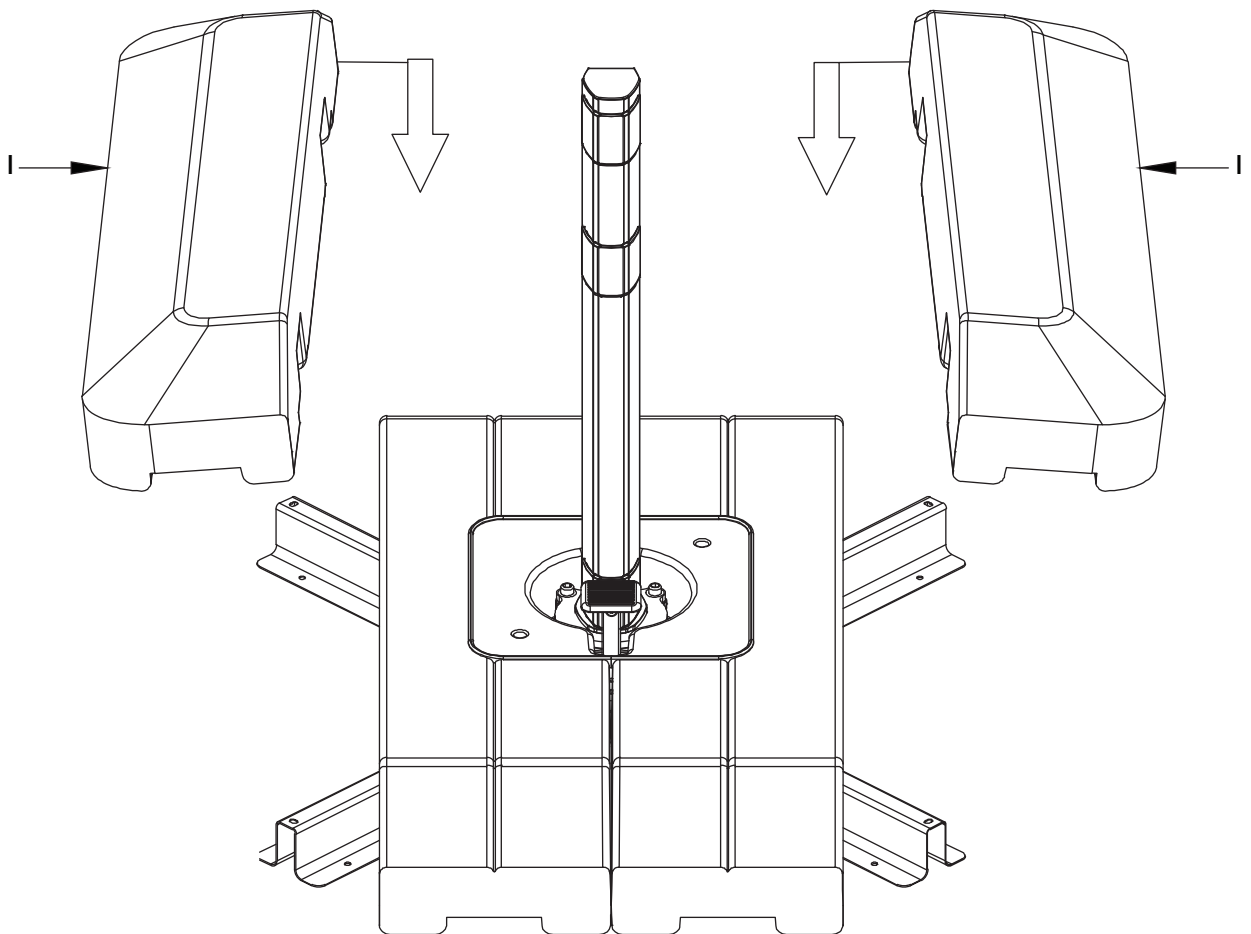
- Attach the middle bases (J) onto the brackets (A and B).



Assembly (continued)

5 Attaching the Side Bases to the Brackets

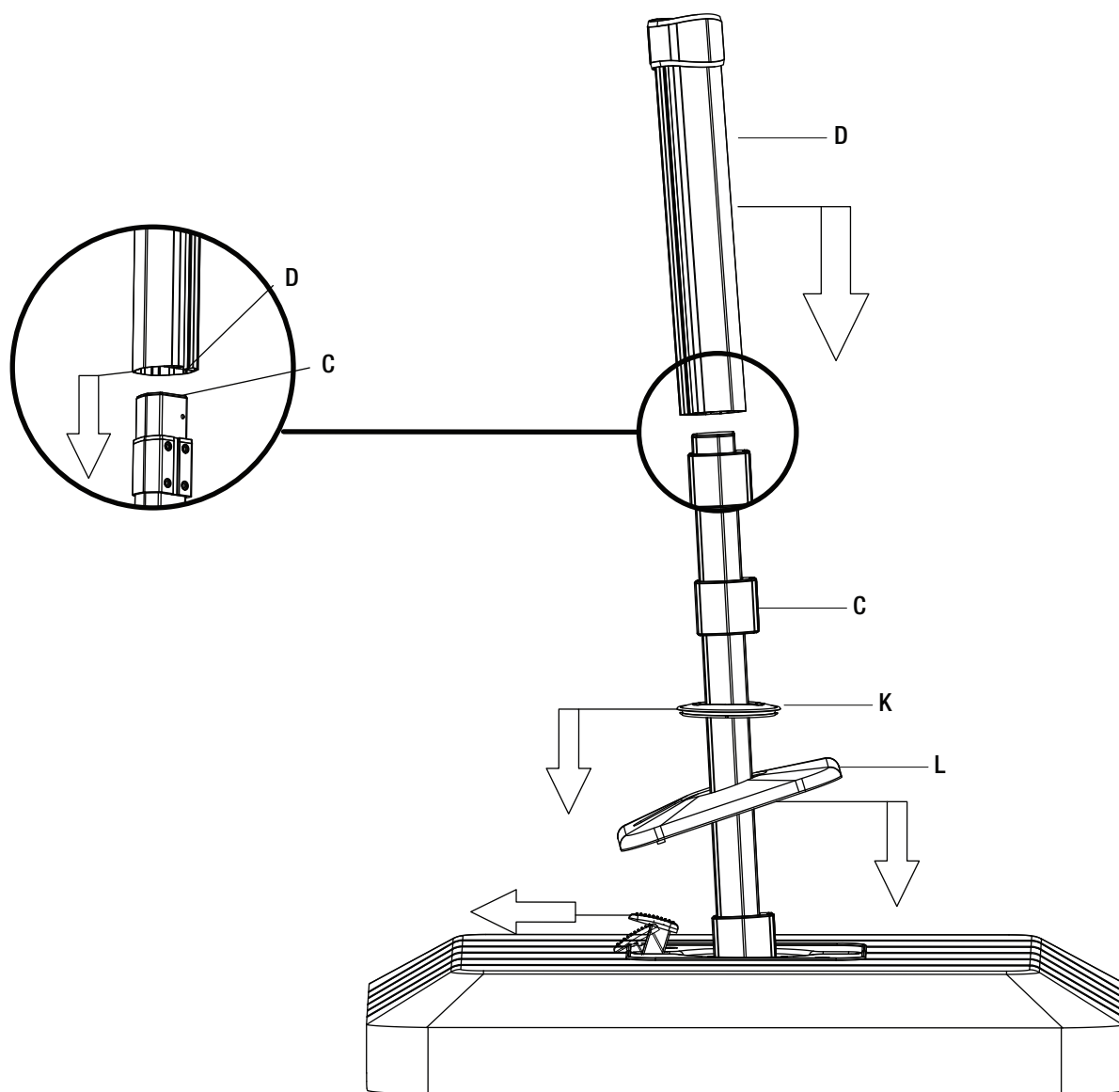
- Attach the side bases (I) to the brackets (A and B).



Assembly (continued)

6 Inserting the Lower Base Cover, Upper Base Cover and Lower Umbrella Pole into the Base Tube

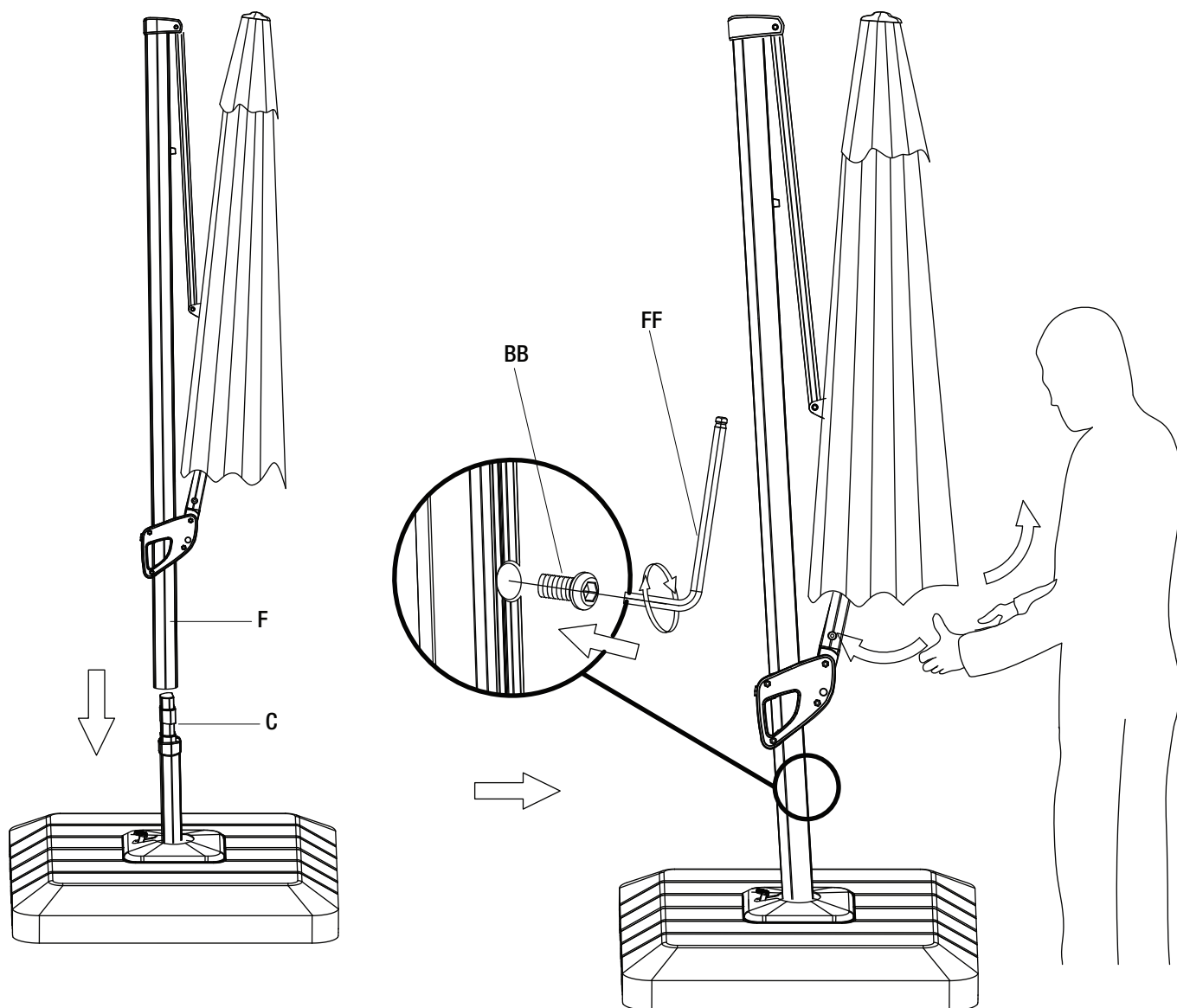
- Insert the lower base cover (L) into the base tube (C).
- Insert the upper base cover (K) into the base tube (C).
- Insert the lower umbrella pole (D) into the base tube (C).



Assembly (continued)

7 Inserting the Umbrella Shade into the Base Tube

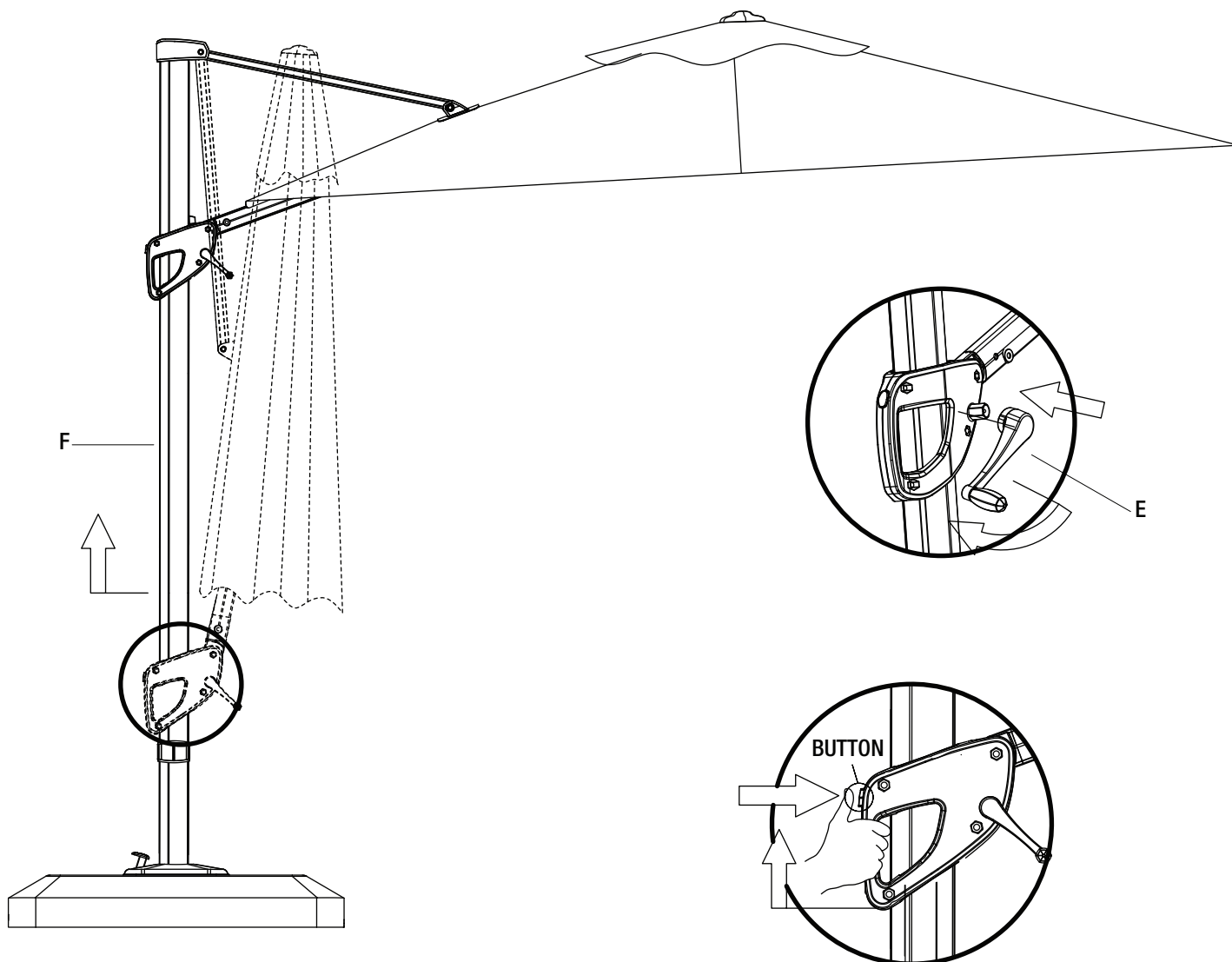
- Insert the umbrella shade (F) into the base tube (C) using one M6x15 bolt (BB) and M6 hex wrench (FF).
- Fully tighten all the bolts at this step.



Operation

1 Attaching the Crank to the Handle and opening the Umbrella

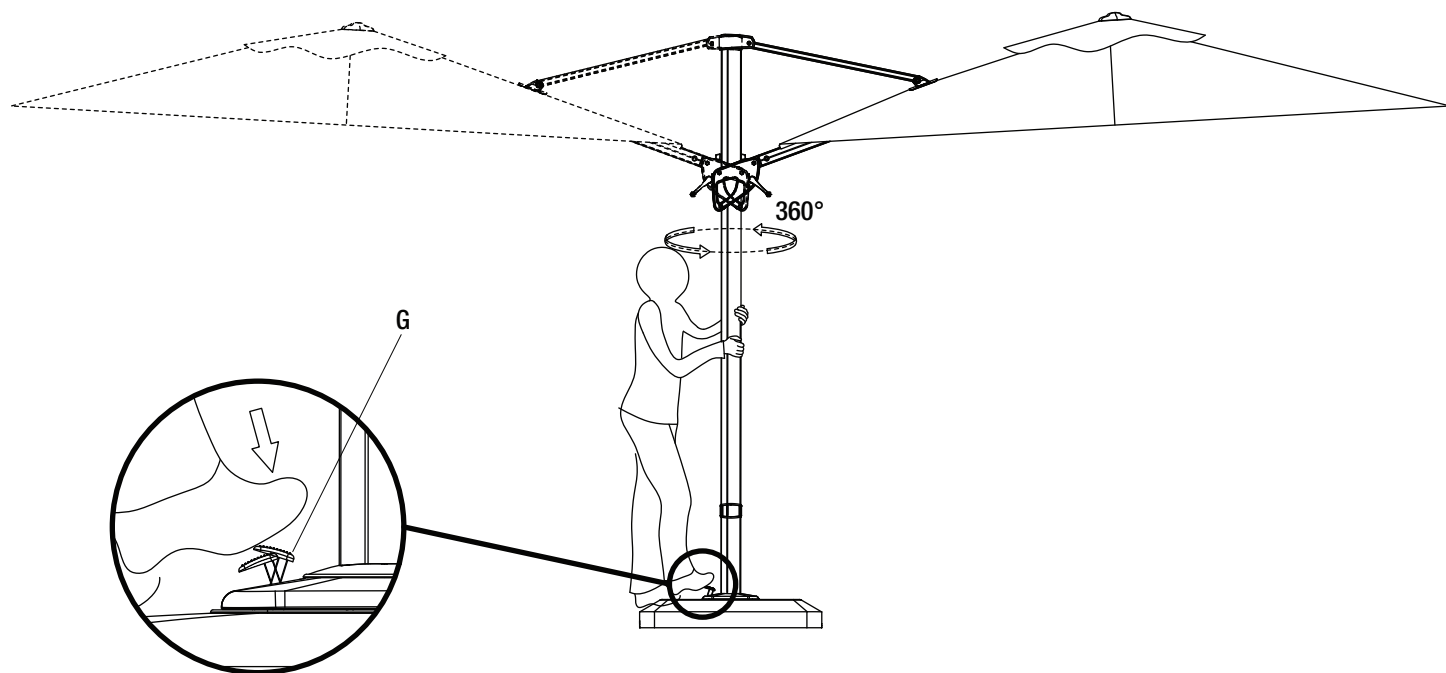
- Attach the crank (E) to the handle.
- Shake the umbrella fabric before opening the umbrella.
- Slowly turn the crank (E) clockwise to open the umbrella, press the button on the handle, hold the handle and push the umbrella shade to the desired position.



Operation (continued)

2 Rotating the Umbrella

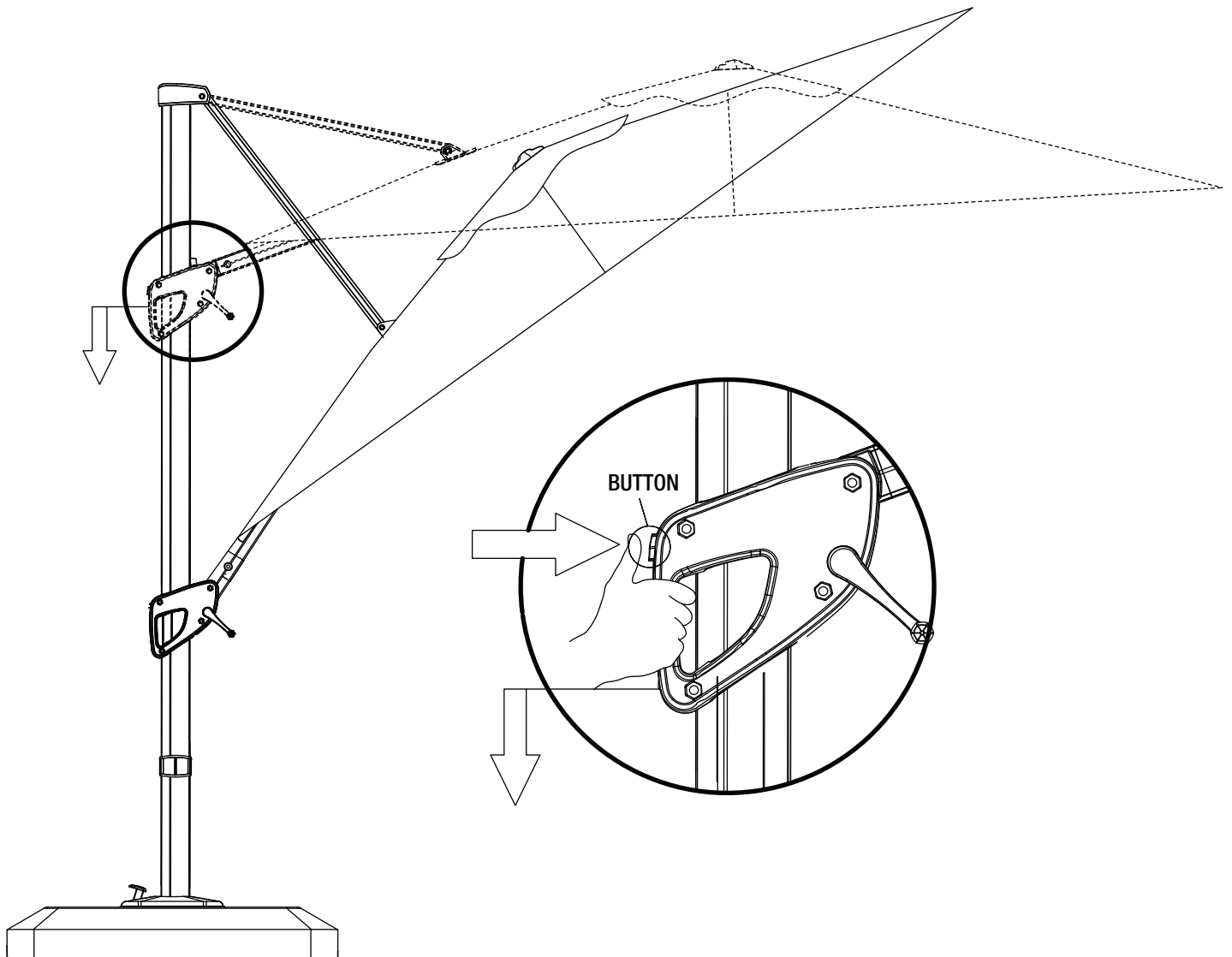
- Hold the pedal (G) with one foot and rotate the umbrella pole. (The umbrella can rotate up to 360 degrees).



Operation (continued)

3 Adjusting the Umbrella

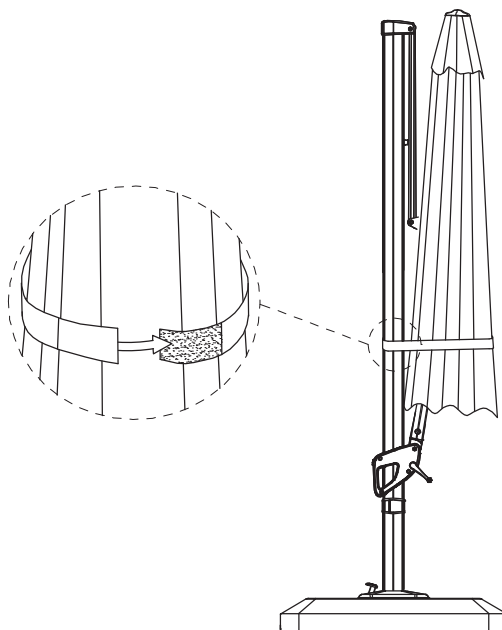
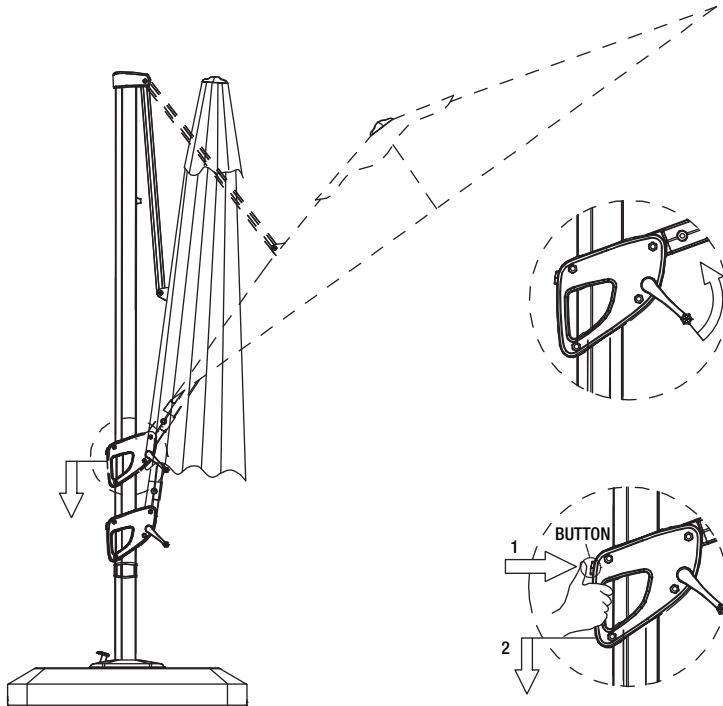
- If you need to adjust the umbrella shade position, press the button on the handle and push up or push down to desired position.



Operation (continued)

4 Closing the Umbrella

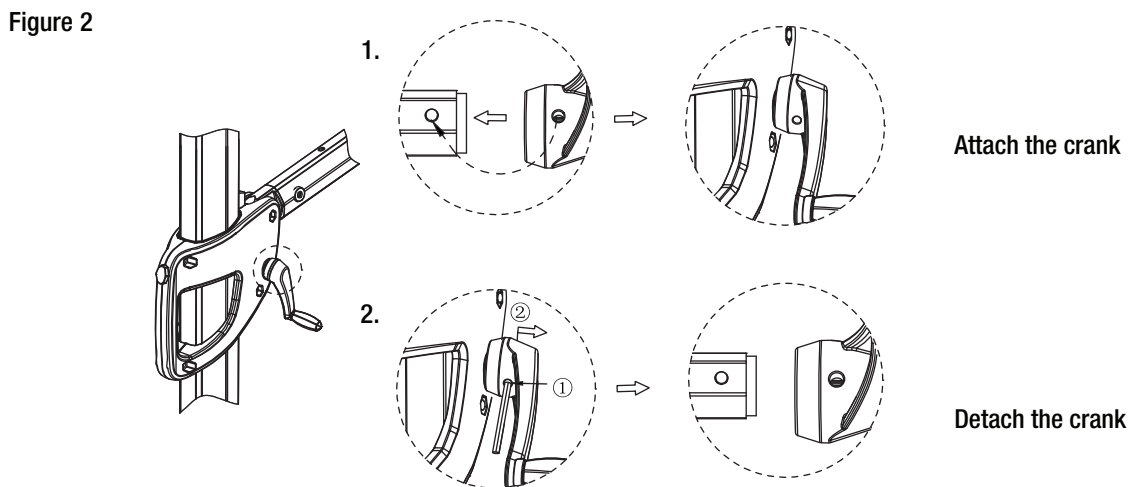
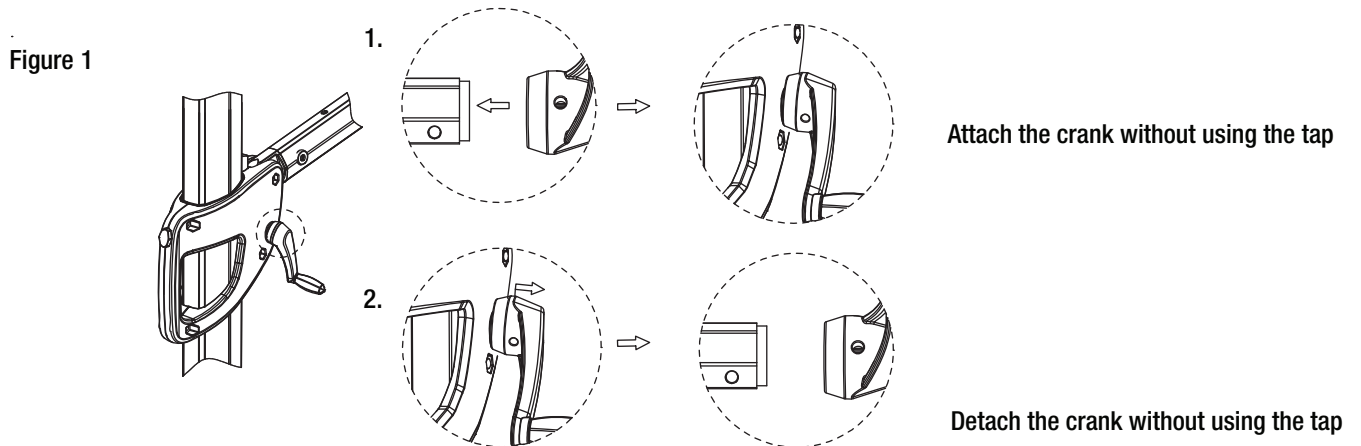
- Slowly turn the crank (E) in a counterclockwise direction to close the umbrella.
- Hold the umbrella handle, and press the button on the handle, and push the umbrella shade downward.
- Tie the umbrella to the umbrella pole with the Velcro® belt when not in use, as shown below.



Operation (continued)

5 Attaching and Detaching the Crank

- Attach the crank (E) without using the tap as shown in figure 1. To detach the crank (E), just take the crank out.
- Attach the crank (E) to the handle as shown in figure 2. Attach the crank (E) by aligning the tap with the hole on the crank (E) until it snaps into place. To detach the crank, the hex wrench (FF) is required to press the tap to take the crank (E) out.



Care and Cleaning

- For best results, clean the umbrella with damp cloth and dry thoroughly. This will help prevent mildew by removing dirt particles that may accumulate.
- Do not clean with abrasive materials, bleach, or solvents.
- Store the umbrella in a sheltered place when not in use.
- Keep the umbrella away from fire, extreme heat, freezing conditions, and inclement weather such as rain, hail, sleet, snow, or wind.

HAMPTON BAY®

Questions, problems, missing parts? Before returning to the store,
call Hampton Bay Customer Service.
8 a.m. - 7 p.m., EST, Monday - Friday, 9 a.m. - 6 p.m., EST, Saturday

1-855-HD-HAMPTON

HAMPTONBAY.COM

Retain this manual for future use.