

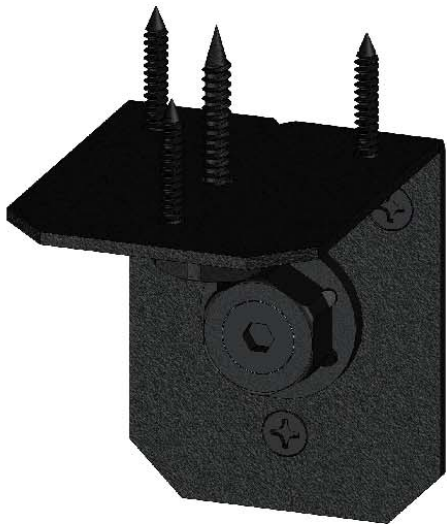
56617



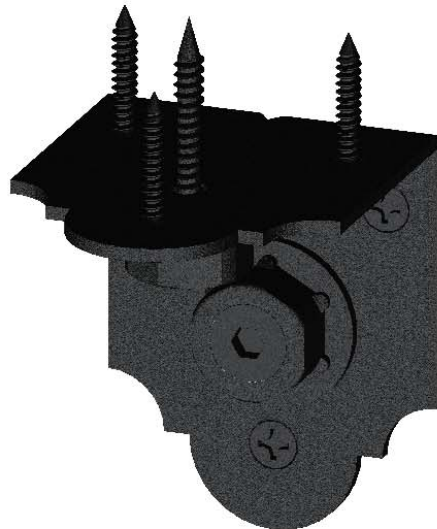
51717



56638



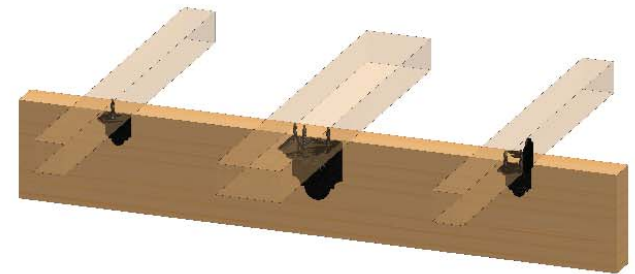
51718



56618

# Installation Instructions, Rafter Clips

- 56617 2" Standard (RC-LS-2)
- 51717 2" Standard (RC-IW-2)
- 56618 4" Standard (RC-LS-4)
- 51718 4" Standard (RC-IWS-4)
- 56638 2" High Velocity (RC-LS-HV-2)

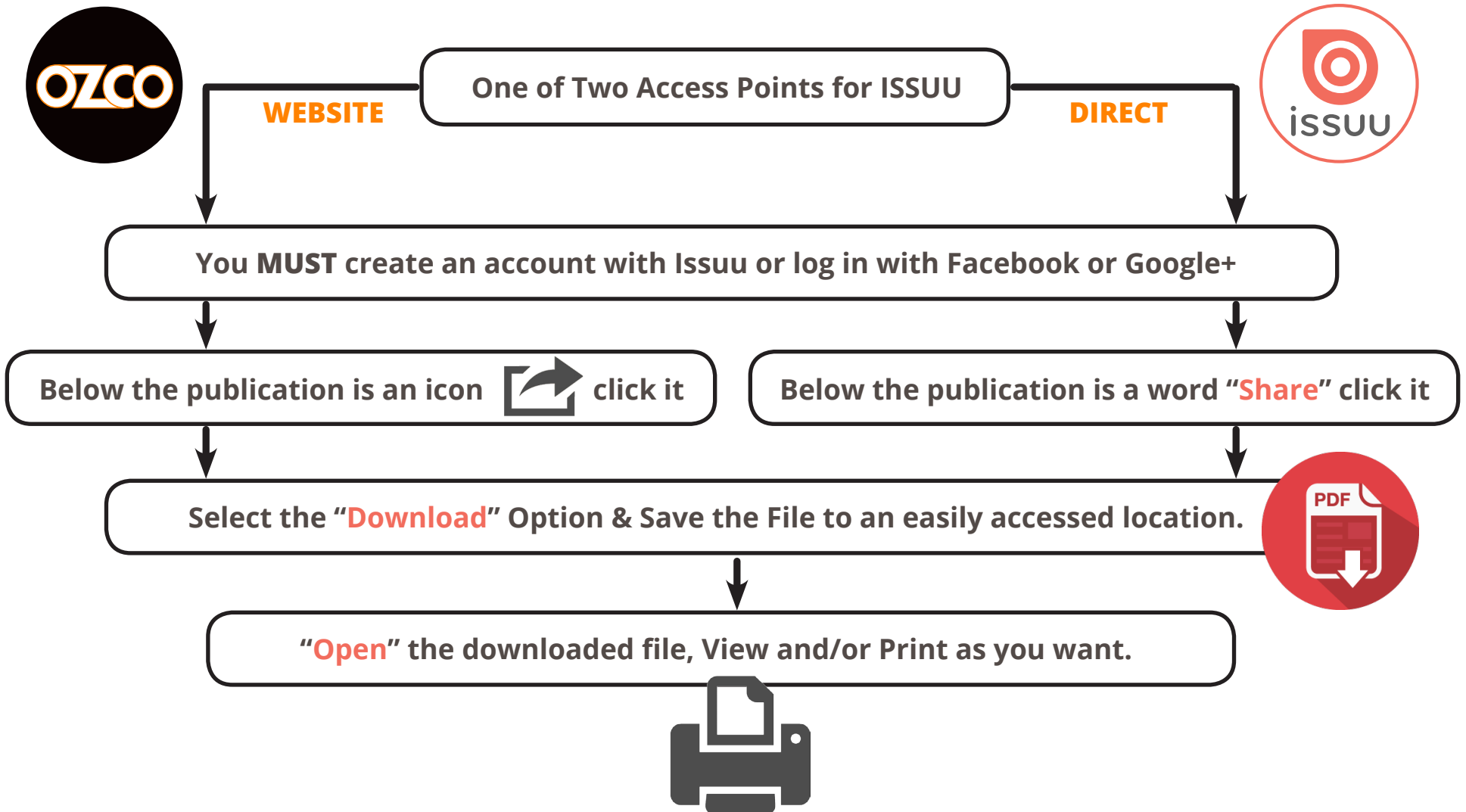


Typical Installation  
Laredo Sunset shown

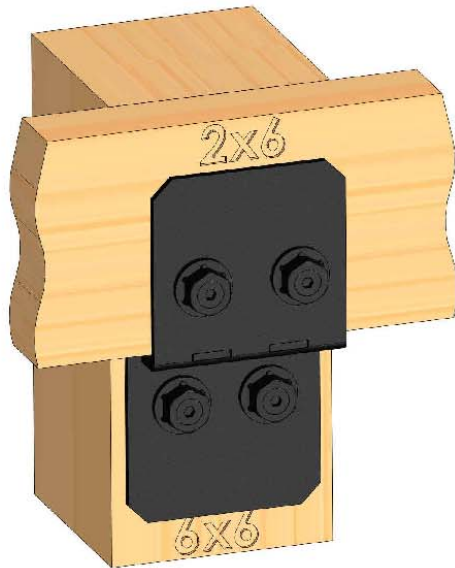


# Printing Documents from ISSUU

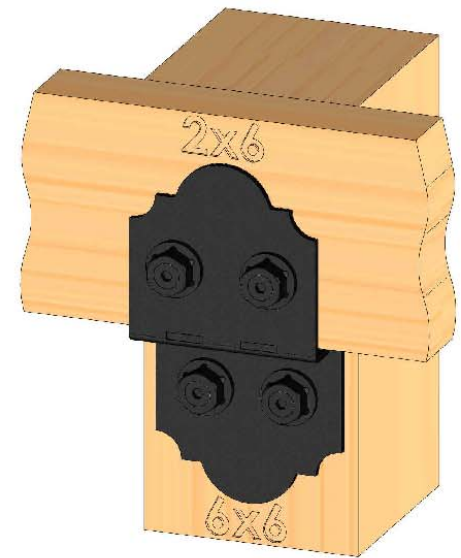
Unfortunately, there is currently no way to print content directly through issuu. To print a publication, you will need to download it and print it from your computer.



# Laredo Sunset vs. Ironwood



Ironwood  
(517XX series)



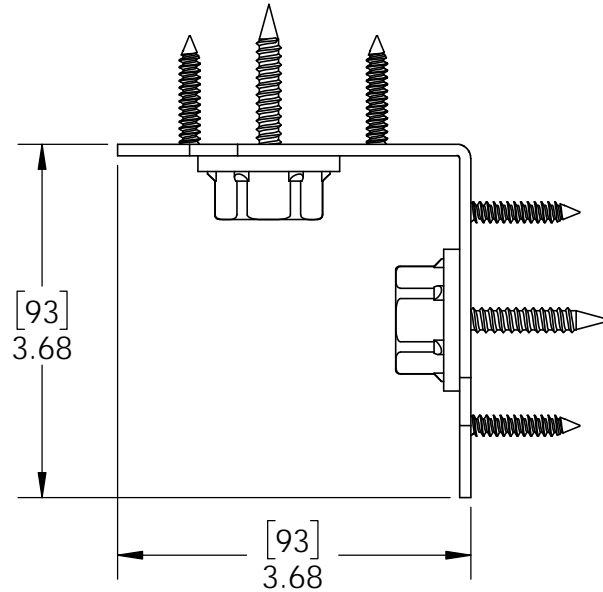
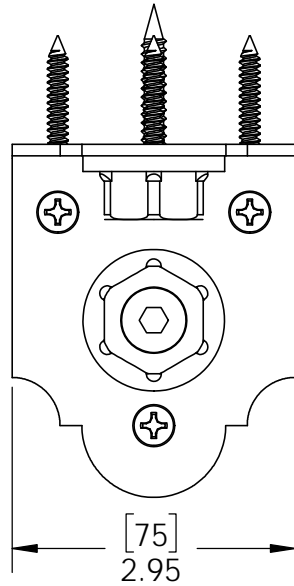
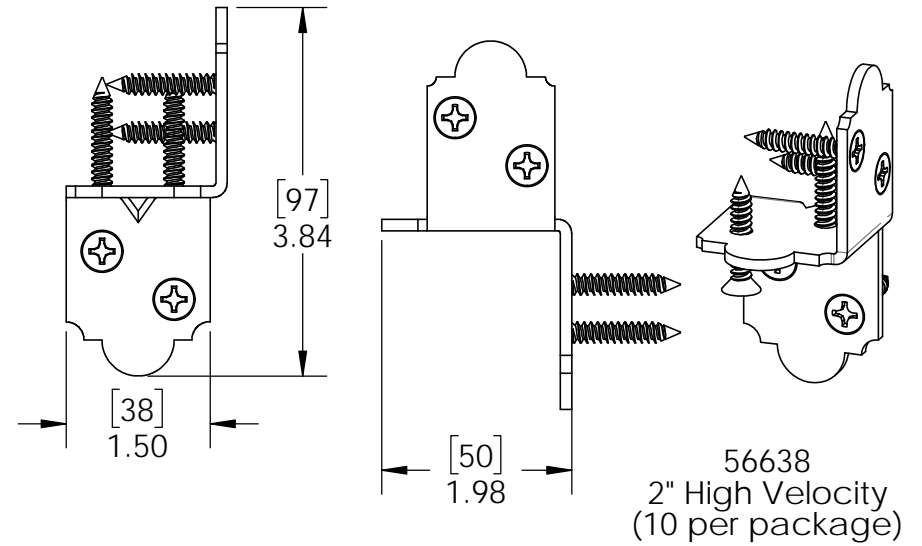
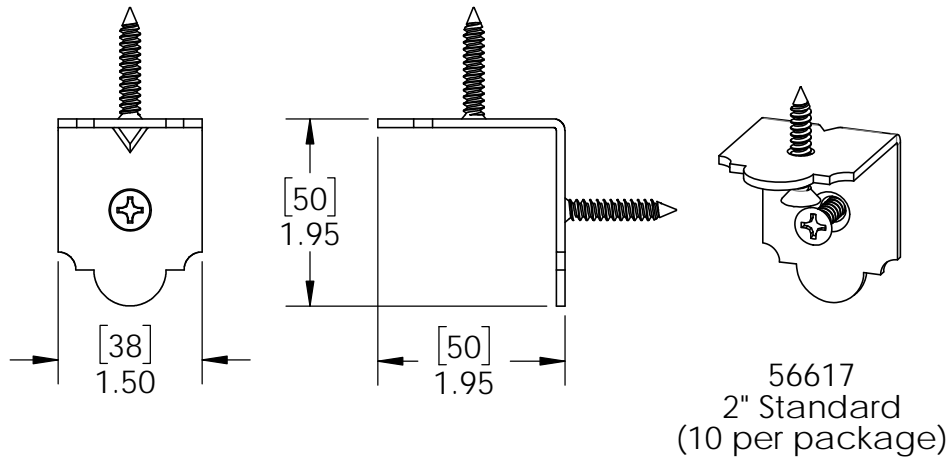
Laredo Sunset  
(566XX series)

2 great styles  
same functionality

choose your connection lifestyle

both styles available for most products

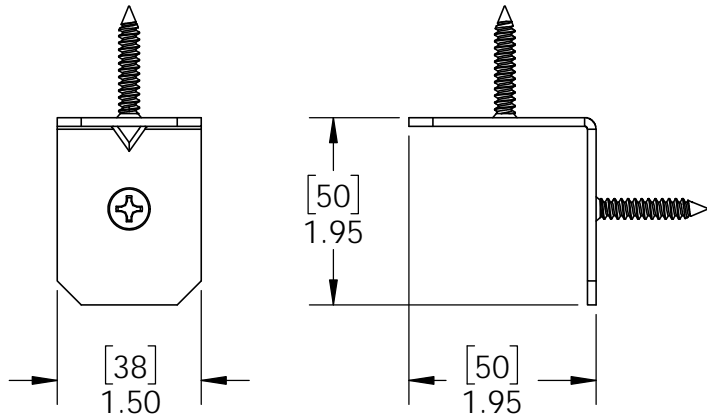
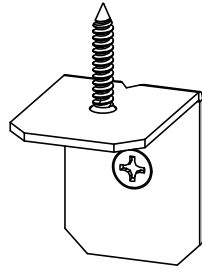




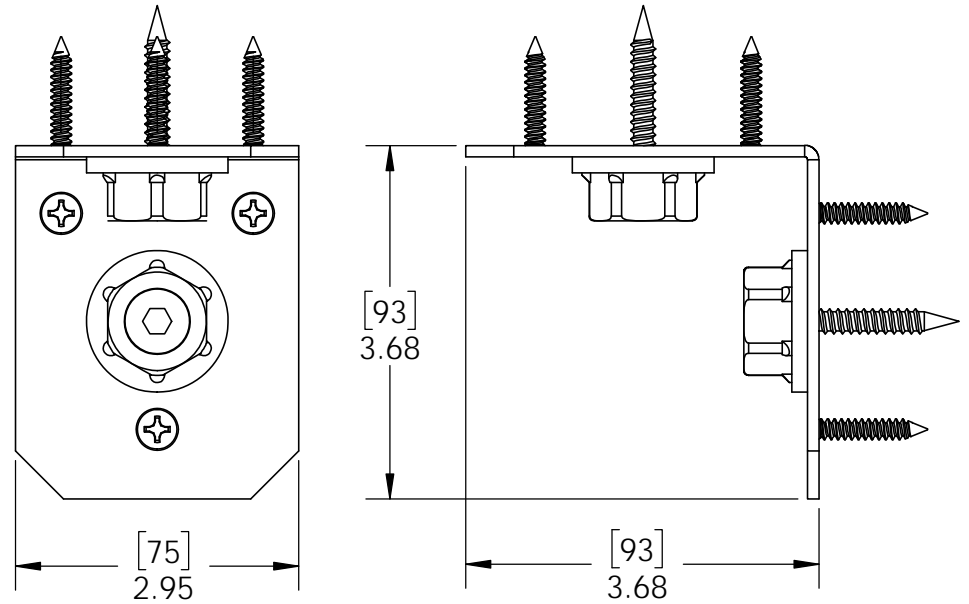
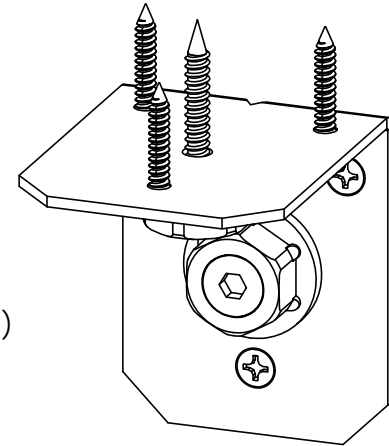
56618  
4" Standard  
(10 per package)

**Laredo Sunset**  
Installation Instructions, Rafter Clips

51717  
2" Standard  
(10 per package)

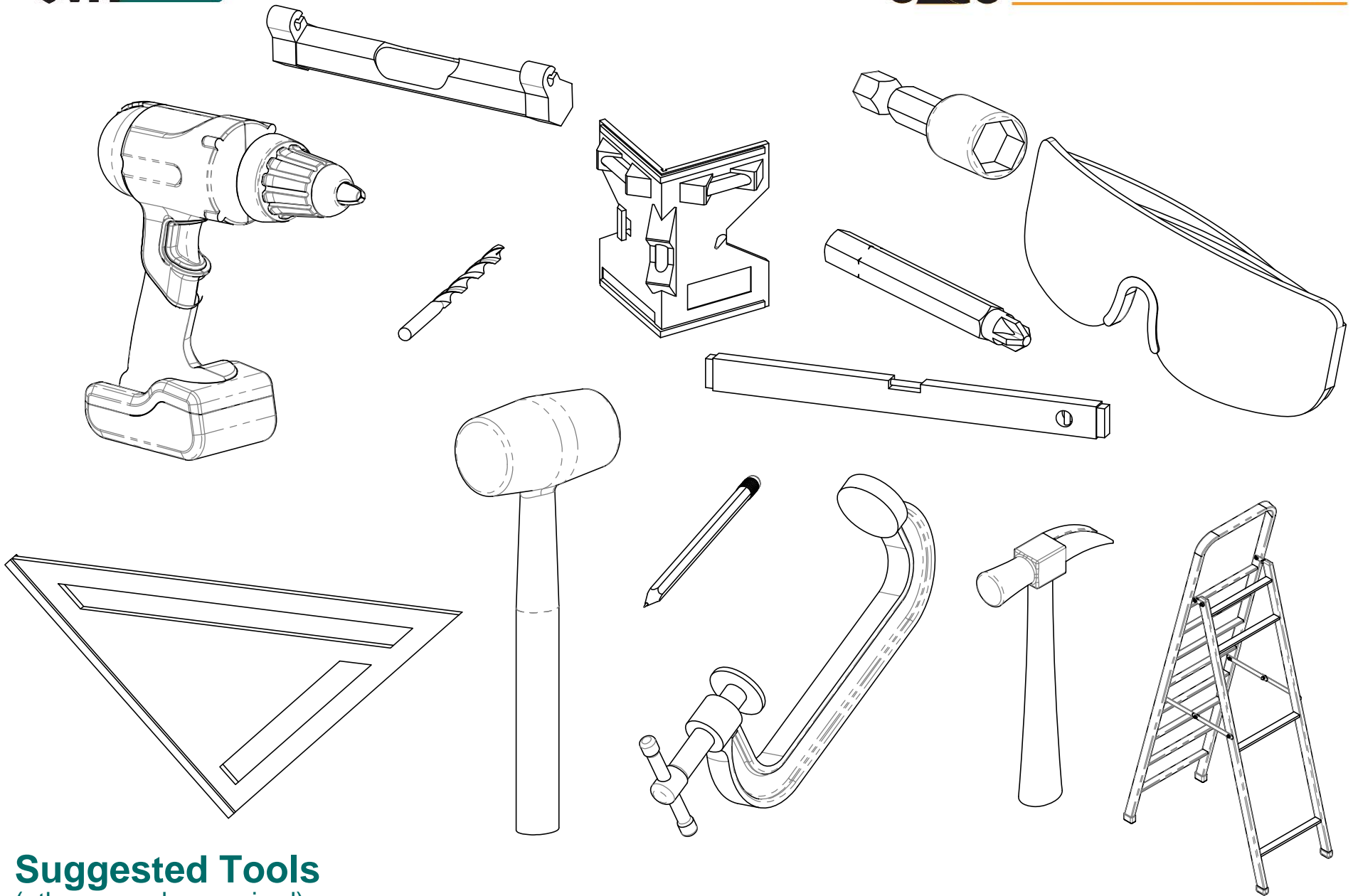


51718  
4" Standard  
(10 per package)



## Ironwood

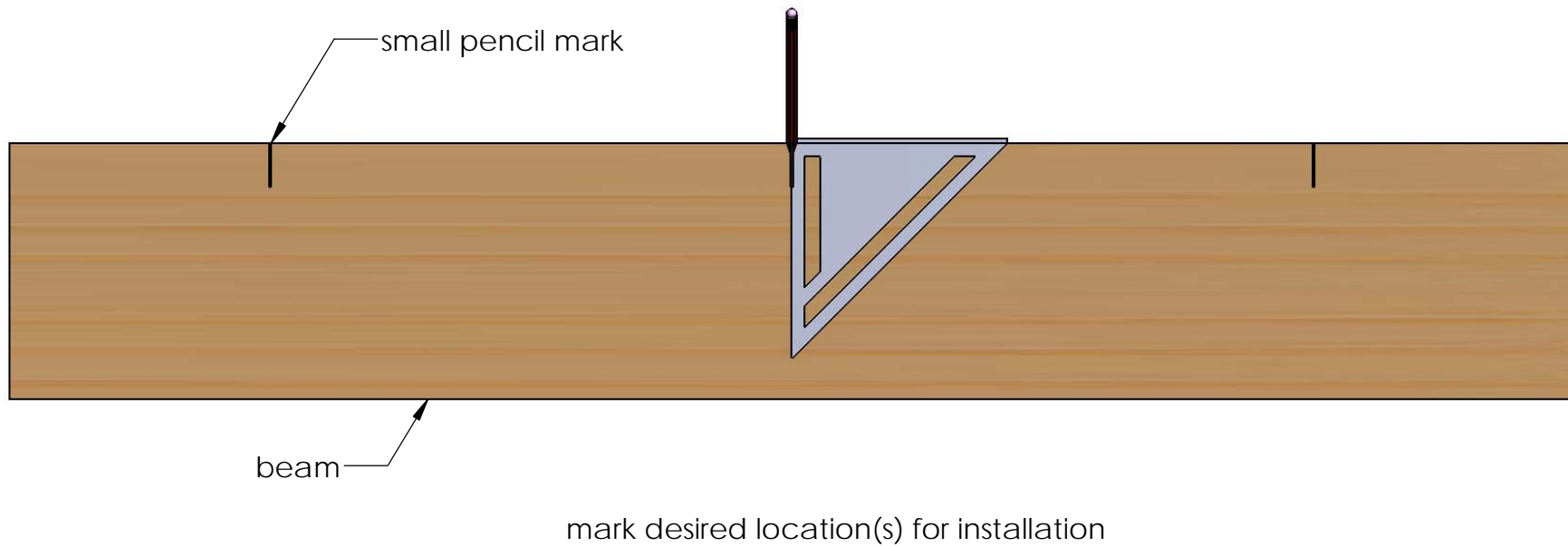
### Installation Instructions, Rafter Clips



## Suggested Tools

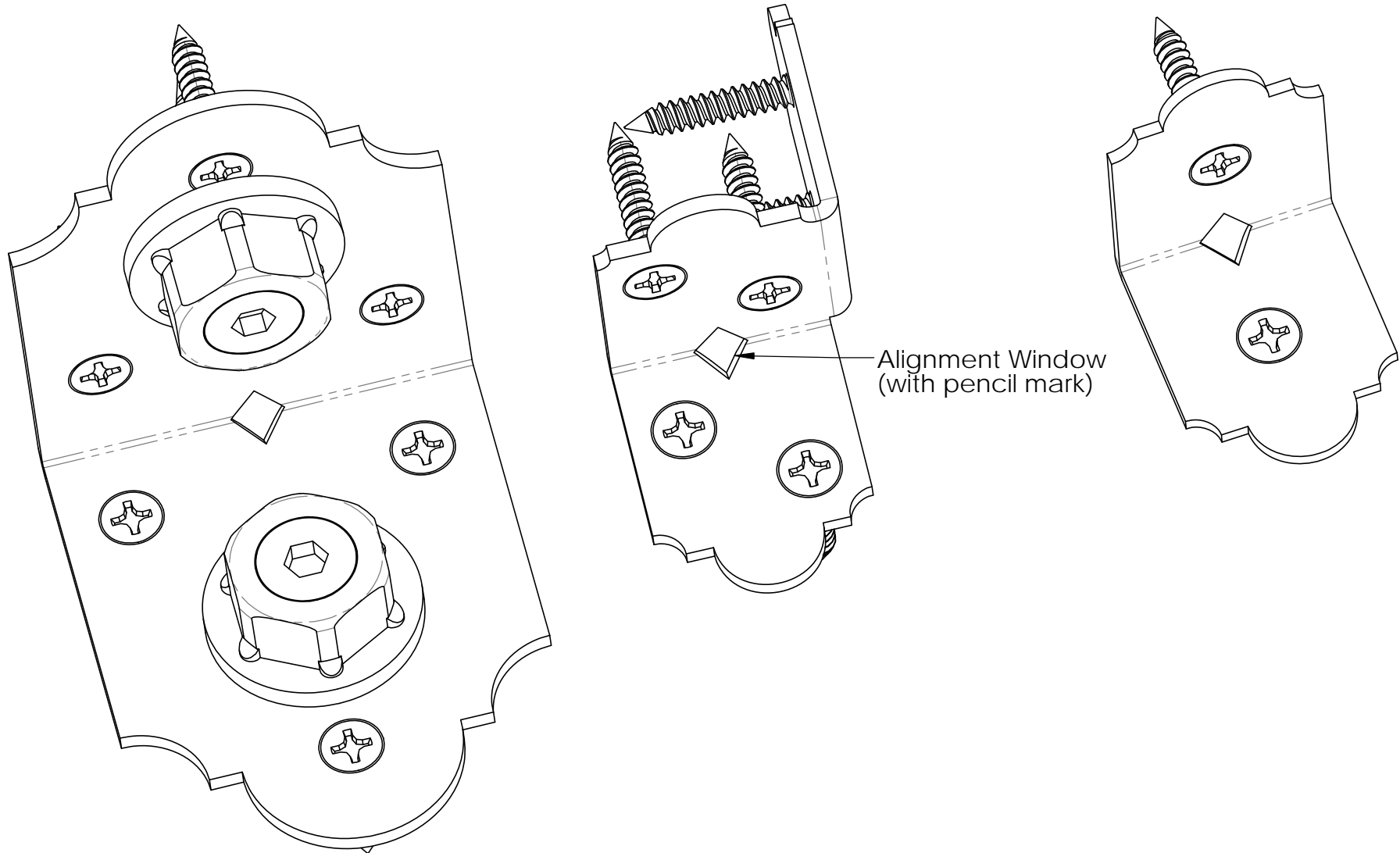
(others may be required)

Installation Instructions, Rafter Clips



## step 1

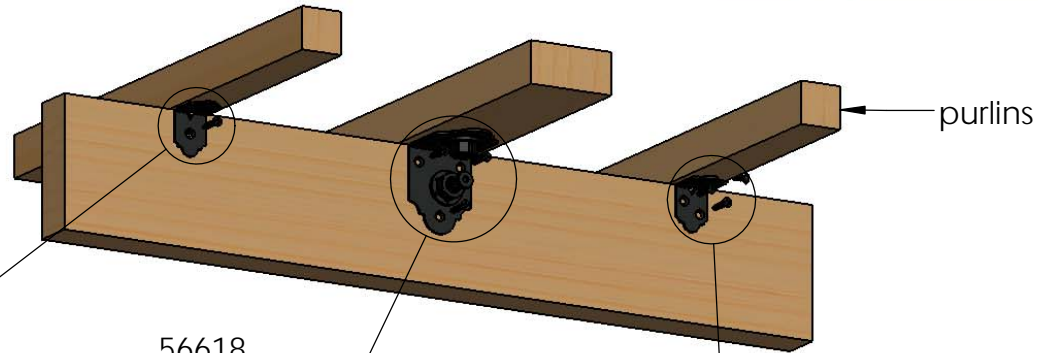
### Installation Instructions, Rafter Clips



## alignment window

Installation Instructions, Rafter Clips

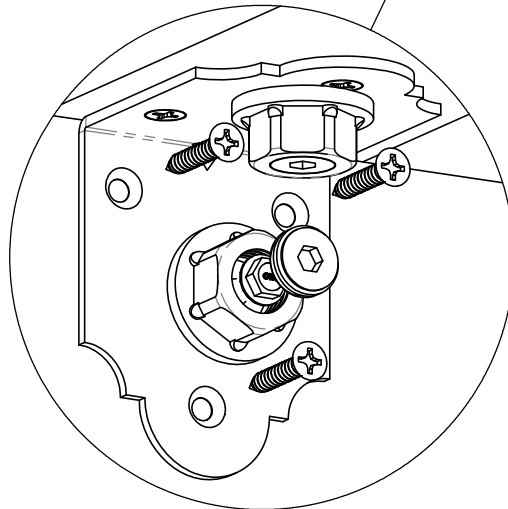
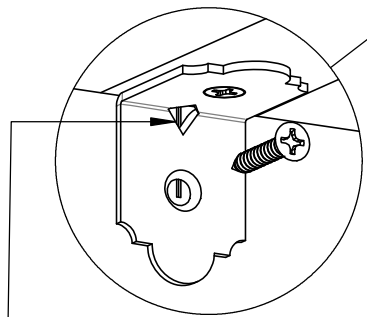




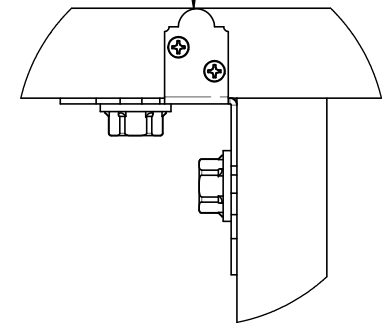
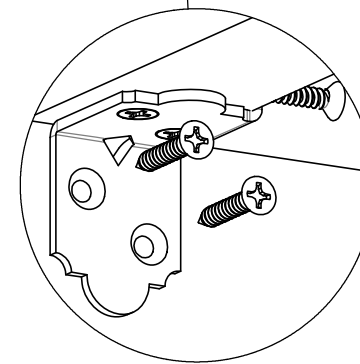
56617  
2" Standard

56618  
4" Standard

purlins



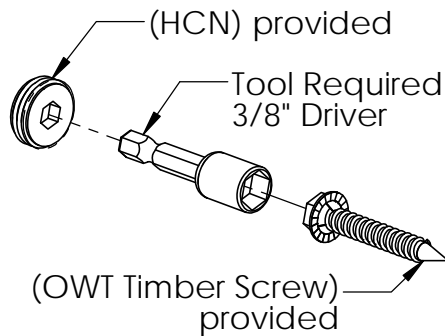
note tab on  
High Velocity  
Rafter Clip



note pencil mark in  
Alignment Window.

center rafter clip on  
pencil mark & secure

56638  
2" High Velocity



(HCN) provided

Tool Required  
3/8" Driver

(OWT Timber Screw)  
provided

## step 2

### Installation Instructions, Rafter Clips