

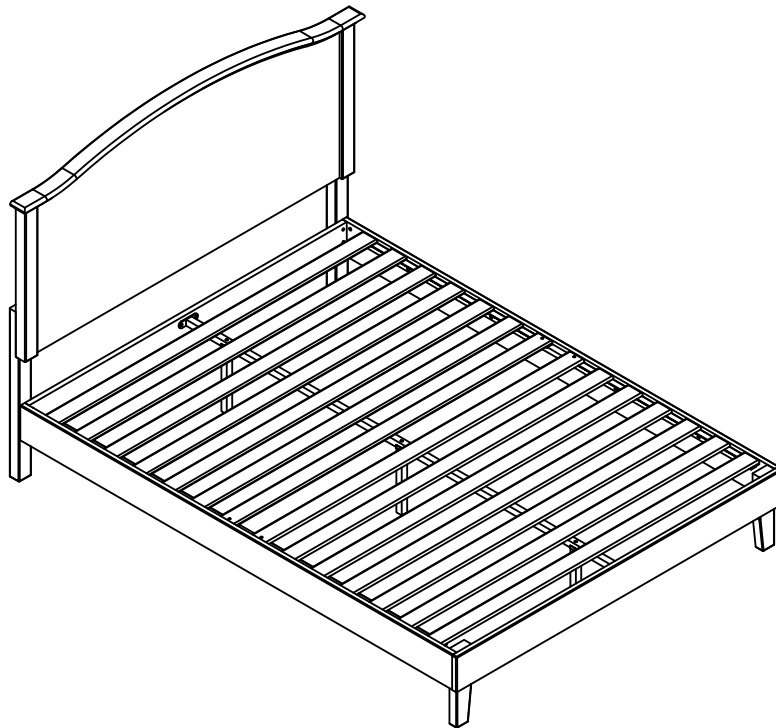
**StyleWell.**<sup>TM</sup>

Model #: XMB2011-bed

Item #:1004100293  
:1004100287  
:1004100294  
:1004100289

# USE AND CARE GUIDE

Colemont Curved Back Bed - Full/Queen/King



**Questions, problems, missing parts?  
Before returning to the store, call Customer Service.  
8 a.m. - 7 p.m., EST, Monday - Friday, 9 a.m. - 6 p.m.,  
EST, Saturday**

**1-877-527-0313**

**HOMEDEPOT.COM**

---

THANK YOU

*We appreciate the trust and confidence you have placed in Stylewell through the purchase of this Colemont Curved Back Bed - Full/Queen/King. We strive to continually create quality products designed to enhance your home. Visit us online to see our full line of products available for your home improvement needs.*

*Thank you for choosing stylewell!!*

# Table of Contents

---

Table of Contents .....	2	
Safety Information.....	3	
Warranty.....	4	
What is Covered.....	4	
What is n ot Covered.....	4	
Pre-Assembly.....	4	
Planning Assembly.....	4	
Hardware Included .....	4	
Package Contents .....	5	
Assembly.....	6	
		Maintenance .....
		Care and Cleaning.....
		12
		12

# Safety Information

Please read and understand this entire manual before attempting to assemble, operate or install the product. If you have any question regarding the product, please call customer service at 1-877-527-0313, 8 a.m. – 7 p.m., EST, Monday – Friday, 9 a.m. – 6 p.m., EST, Saturday

- Read these instructions carefully and retain them for future use. If this product is passed to a third party, then these instructions must be included.
- When using the product, basic safety precautions should always be followed to reduce the risk of injury including the following:
  - Ensure there are no missing parts prior to assembly.
  - Assemble the product on a carpet to prevent damage.
  - Be careful not to cross-thread screws and do not use power tools.
  - Before using the product be sure that it is completely and properly assembled.
  - Two people are required for assembly.
  - Assembly to be carried out by competent adults only.
  - During assembly children should be kept away from the product to avoid possible risk of injury.
  - Keep all hardware parts away from children.
  - Dispose of plastic packaging material immediately to avoid any risk of suffocation.
  - Regularly check screws to ensure they are tightened securely.



**WARNING:**

Keep all hardware parts away from children



**WARNING:**

Before assembly, carefully use scissors or a utility knife to cut and unwrap all parts. Make sure you do not discard the hardware.



**WARNING:**

Dispose plastic packaging material immediately to avoid any risk of suffocation to children and animals.

# Warranty

## 1 YEAR WARRANTY

### WHAT IS COVERED

We guarantee this product to be free of manufacturing defects to the original purchaser for one year.

### WHAT IS NOT COVERED

This warranty does not cover commercial use, acts of nature, and abusive use.

## Pre-Assembly

### Planning Assembly

- Remove all packaging materials, staples and packing straps from the carton.
- Refer to Parts List and Hardware List, and ensure parts and hardware are correct before assembly.
- Contact customer service for missing parts.
- Place all wooden parts on a clean, flat and soft surface (e.g. carpet or rug) to prevent scratch and damage to parts

### Hardware Included



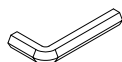
NOTE: Hardware not shown to actual size.



AA



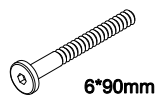
BB



CC



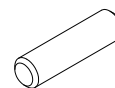
DD



EE



FF



GG

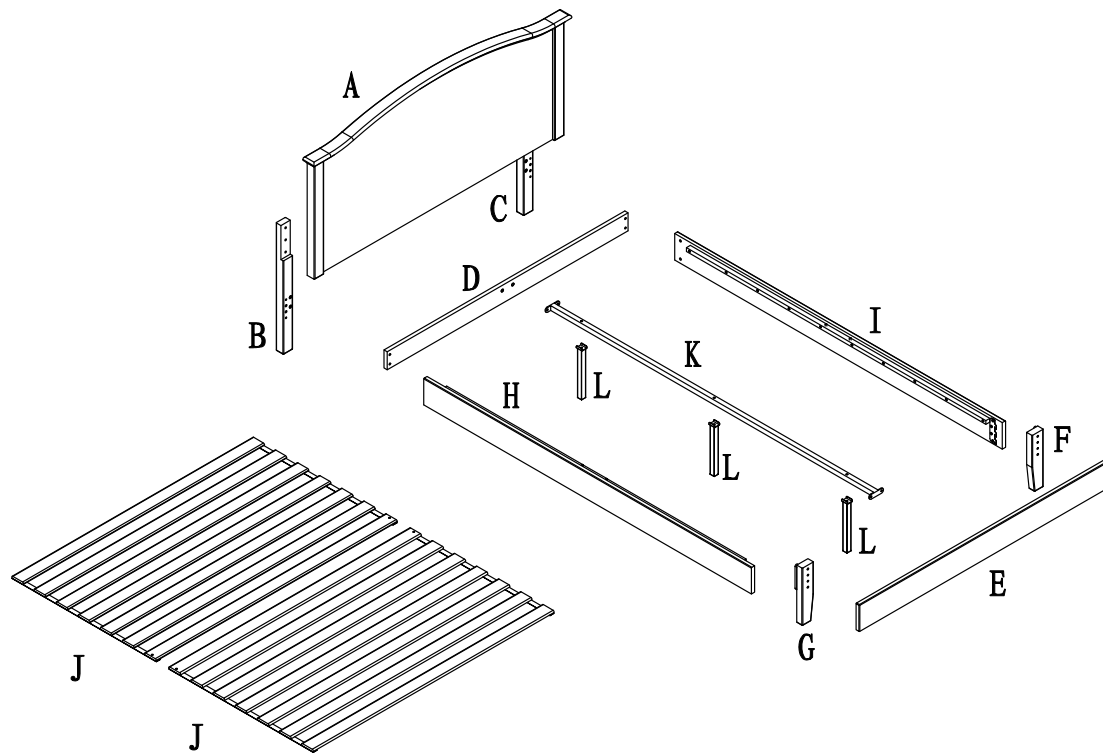


HH

Part	Description	Quantity
AA	Screw Ø8X50	10
BB	Washer	21
CC	Allen Key	1
DD	Screw Ø8X35	7
EE	Screw Ø6X90	4
FF	Screw Ø6X23	4
GG	Wooden Dowel	8
HH	Screw Ø8X20	4

## Pre-Assembly (cont.)

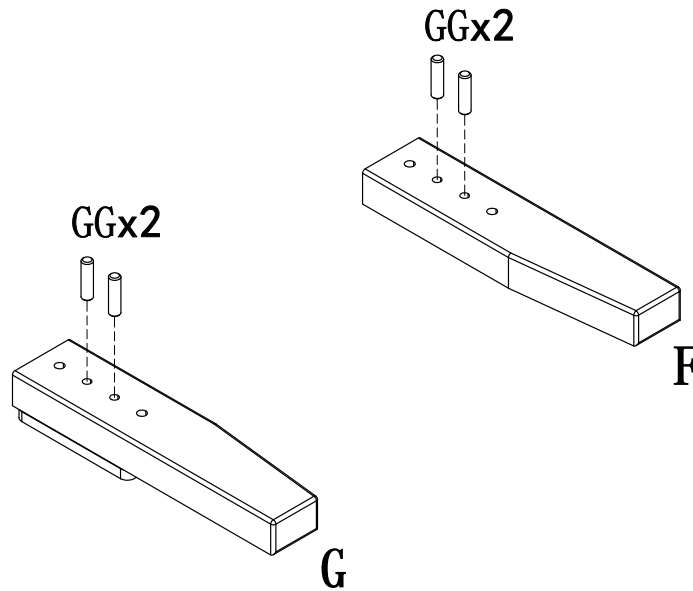
### PACKAGE CONTENTS



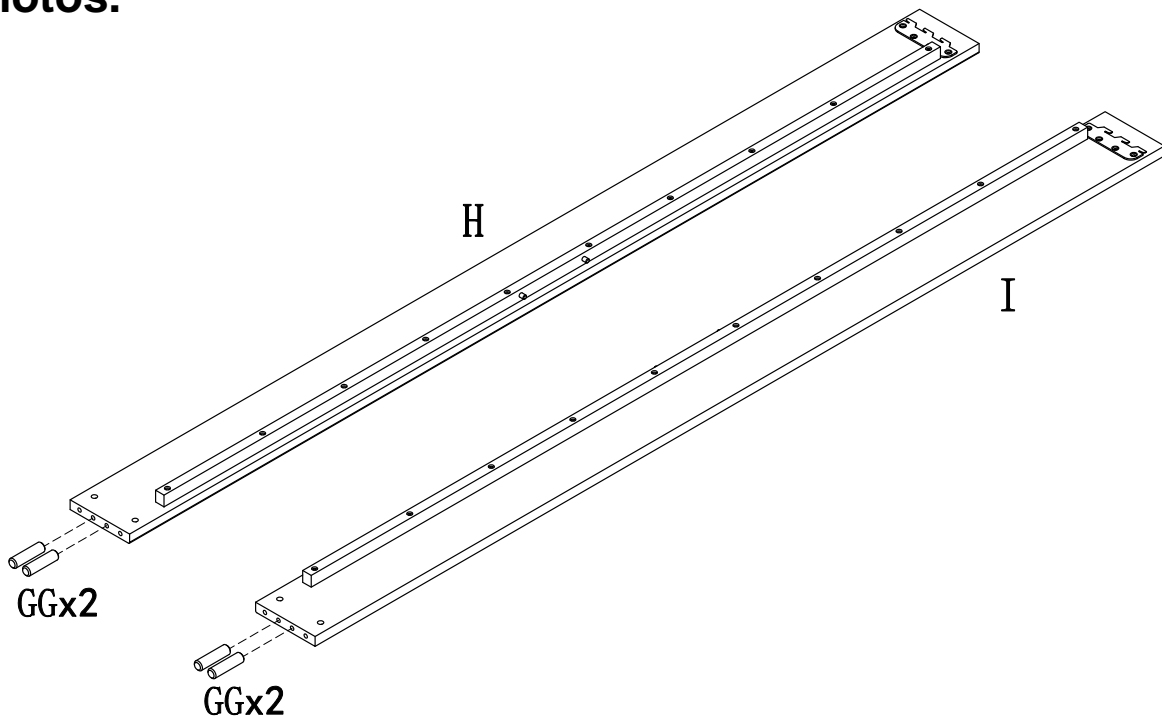
Part	Description	Quantity
A	Headboard	1
B	Headboard Left Leg	1
C	Headboard Right Leg	1
D	Headboard support bar	1
E	Footboard	1
F	Footboard Right Leg	1
G	Footboard Left Leg	1
H	Left Sideboard	1
I	Right Sideboard	1
J	Slat	2
K	Center Support	1
L	Metal Legs	3

## Assembly

**1. Place footboard left leg (G) and right legs (F) with the 4 holes facing up as shown and insert wood dowel (GG) into the middle two holes.**



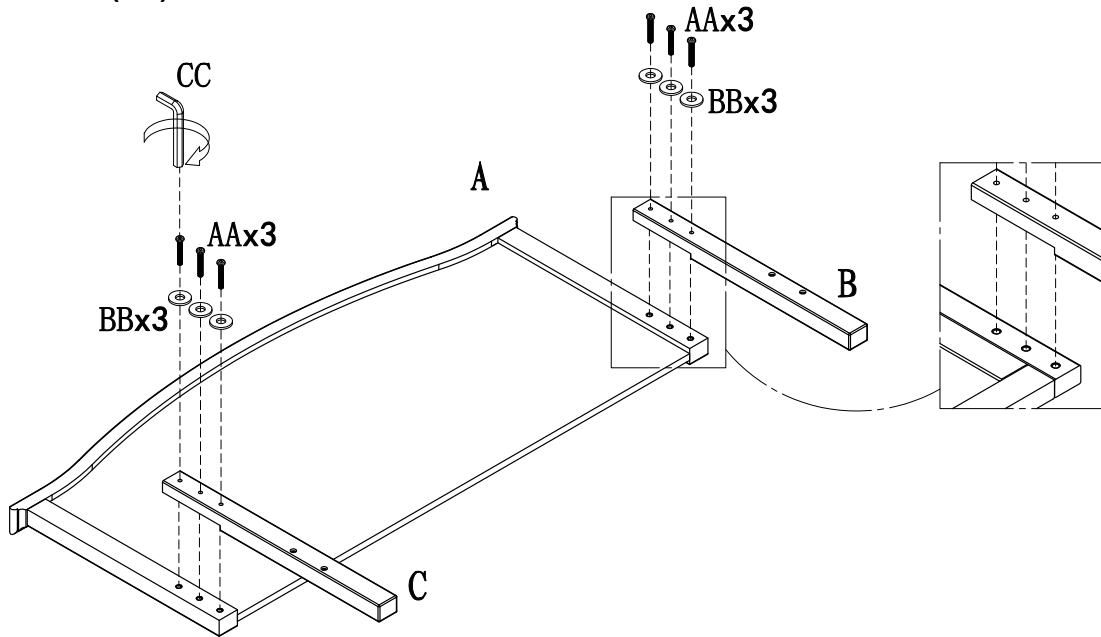
**2. Take out the left sideboard (H) and right sideboard (I) and insert wood dowel (GG) into the side two holes as shown photos.**



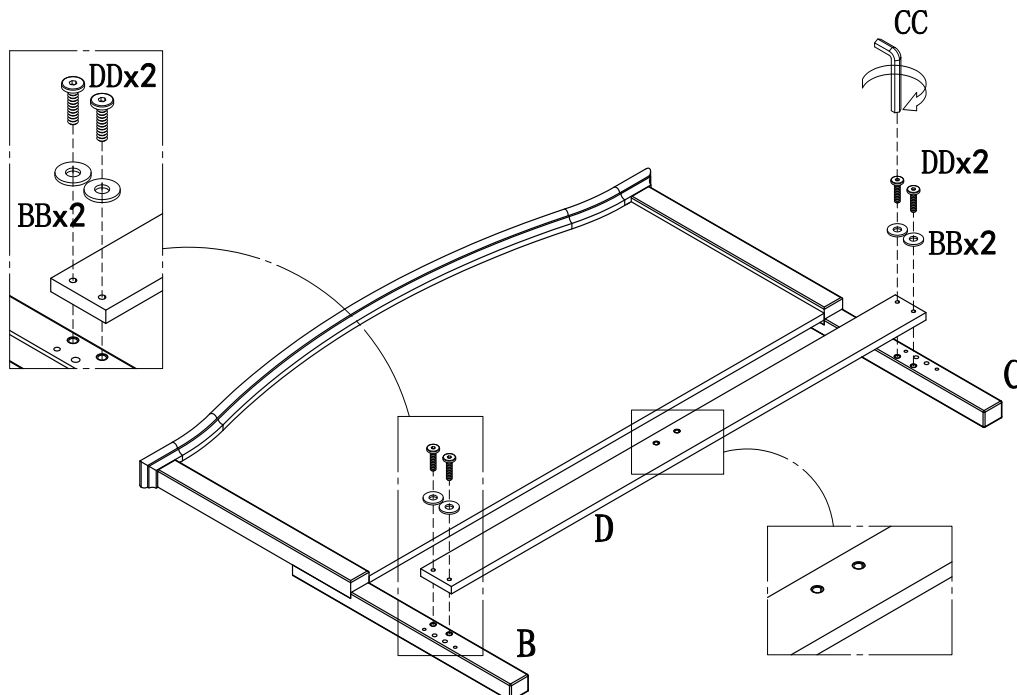
## Assembly (Cont.)

### 3. Assemble legs to headboard.

- Take out the headboard(A), headboard left leg(B), headboard right leg(C) and put the headboard(A) exterior side facing up as shown.
- Fasten leg(B) and leg(C) to headboard (A) with screw(AA) fitted with washer (BB). Use allen key(CC) to drive(AA).



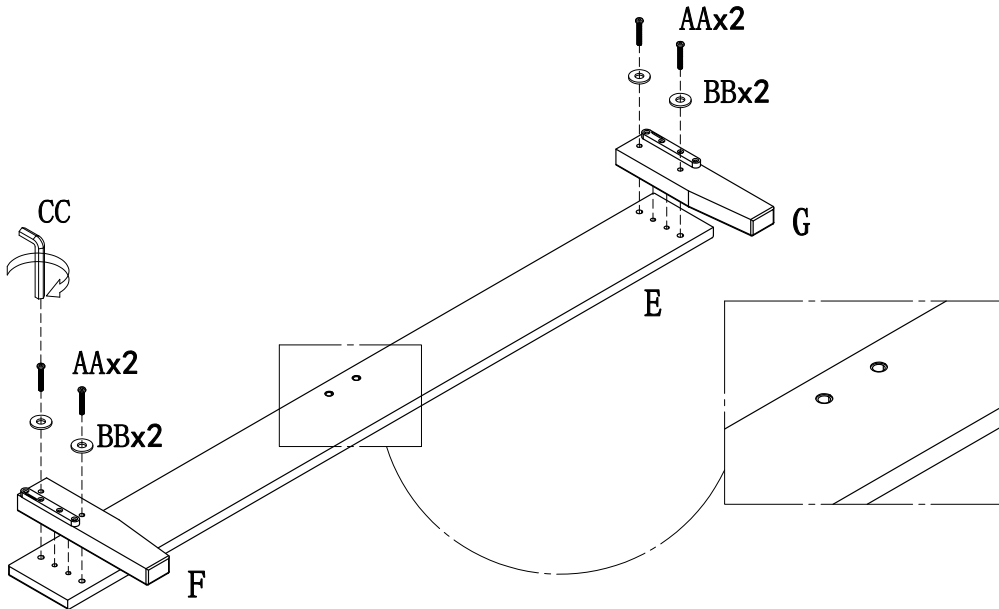
### 4. Turn assembled headboard over, fasten the headboard support bar(D) to the 2 holes in leg(B and C) with screw(DD) fitted with washer(BB). Use allen key(CC) to drive(DD).



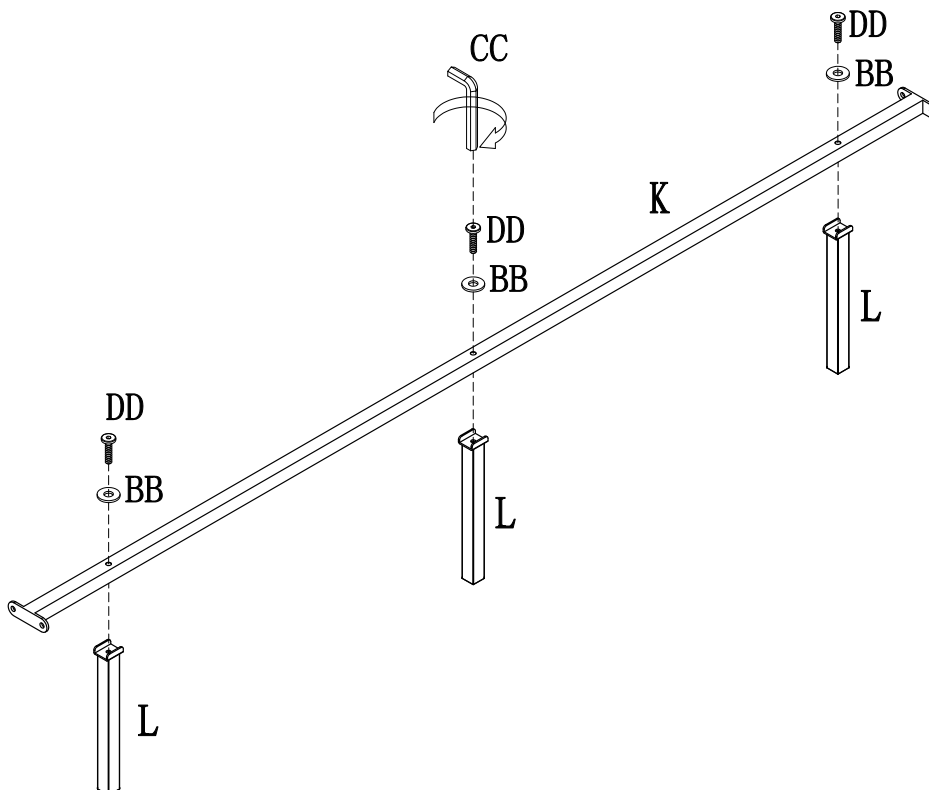
## Assembly (Cont.)

### 5. Assemble legs (F and G) to footboard (E).

- Place footboard(E) with the interior side facing up as shown.
- Attach leg (F) and leg (G) from step 1 to footboard (E) via wood dowels, and fasten with screw (AA) fitted with washer (BB). Use allen key (CC) to drive (AA).



### 6. Fasten metal leg (L×3) to center support (K) with screw(DD) fitted with flat washer (BB) .use allen key (CC) to drive (DD) .

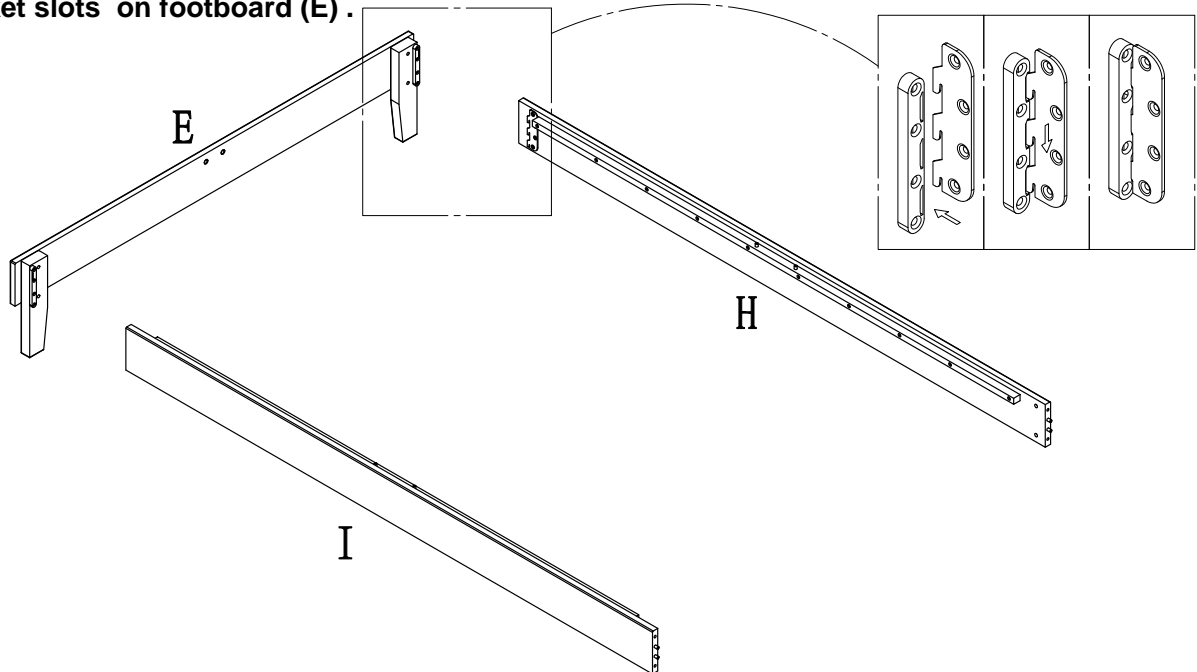




## Assembly (Cont.)

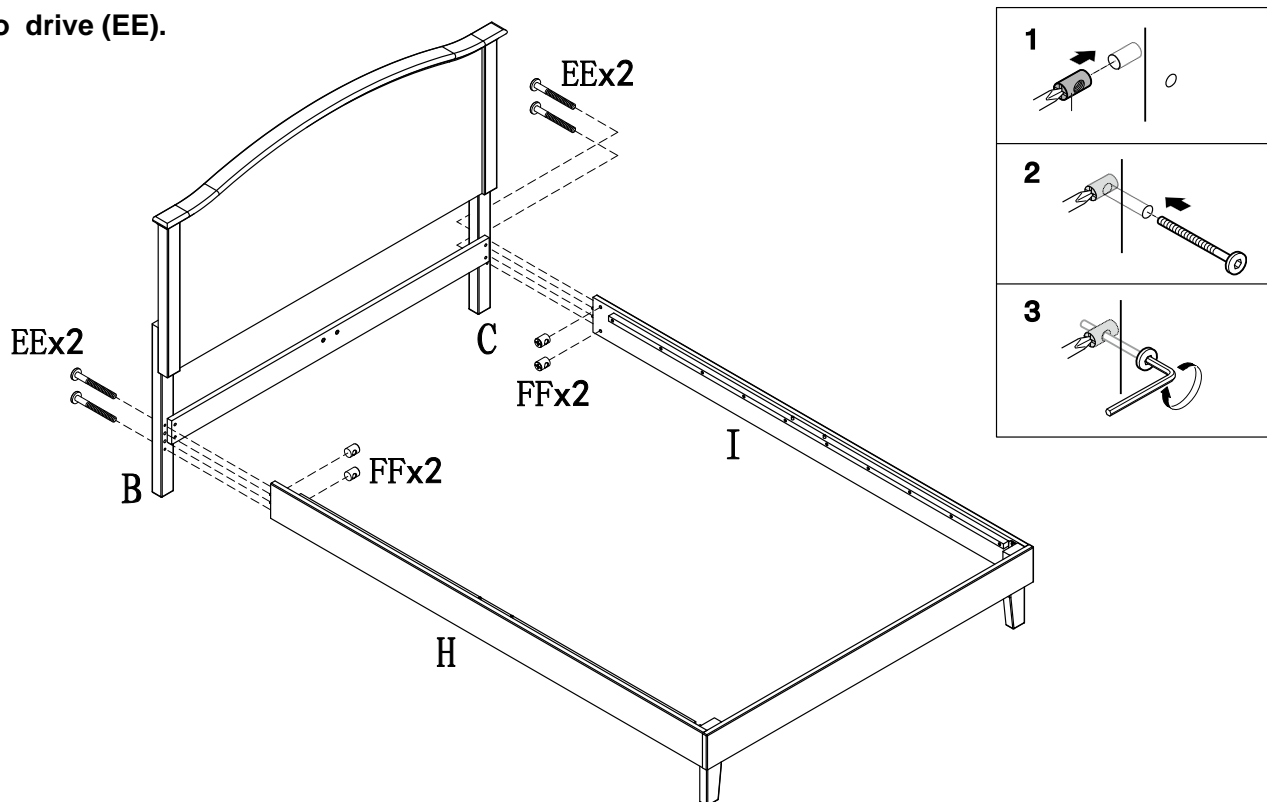
### 7. Assemble sideboard (H and I) to footboard (E)

- Position footboard (E) vertically.
- Attach sideboard (H and I) to footboard (E) by fitting the bracket hooks on (H and I) into the bracket slots on footboard (E).



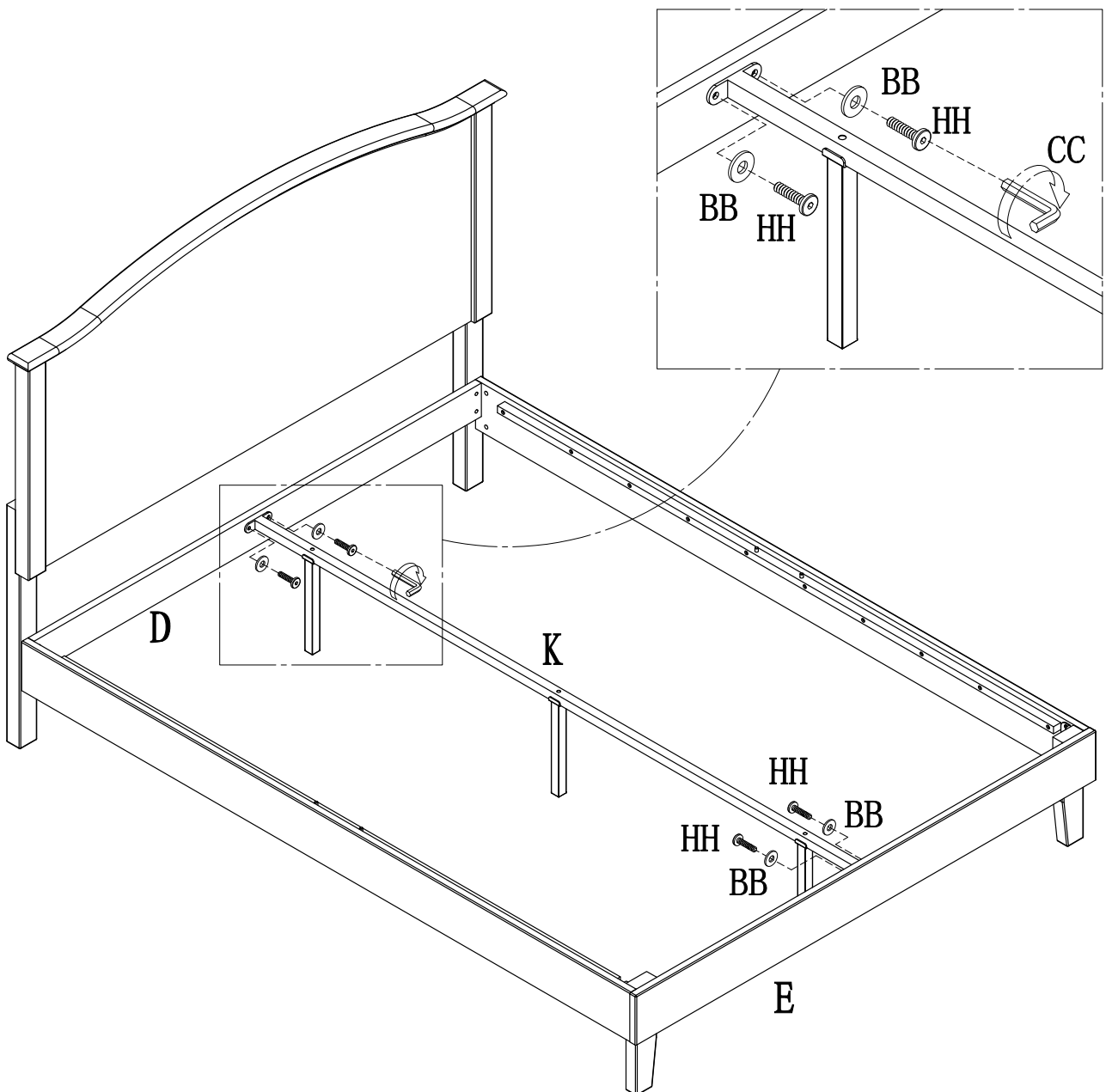
### 8. Assembly bed frame from step 7 to the headboard from step 4.

- Insert the screw (FF) to the 2 holes on sideboard (H and I).
- Fasten the sideboard (H and I) to the headboard legs (B and C) with screw (EE). Use allen key (CC) to drive (EE).



## Assembly (Cont.)

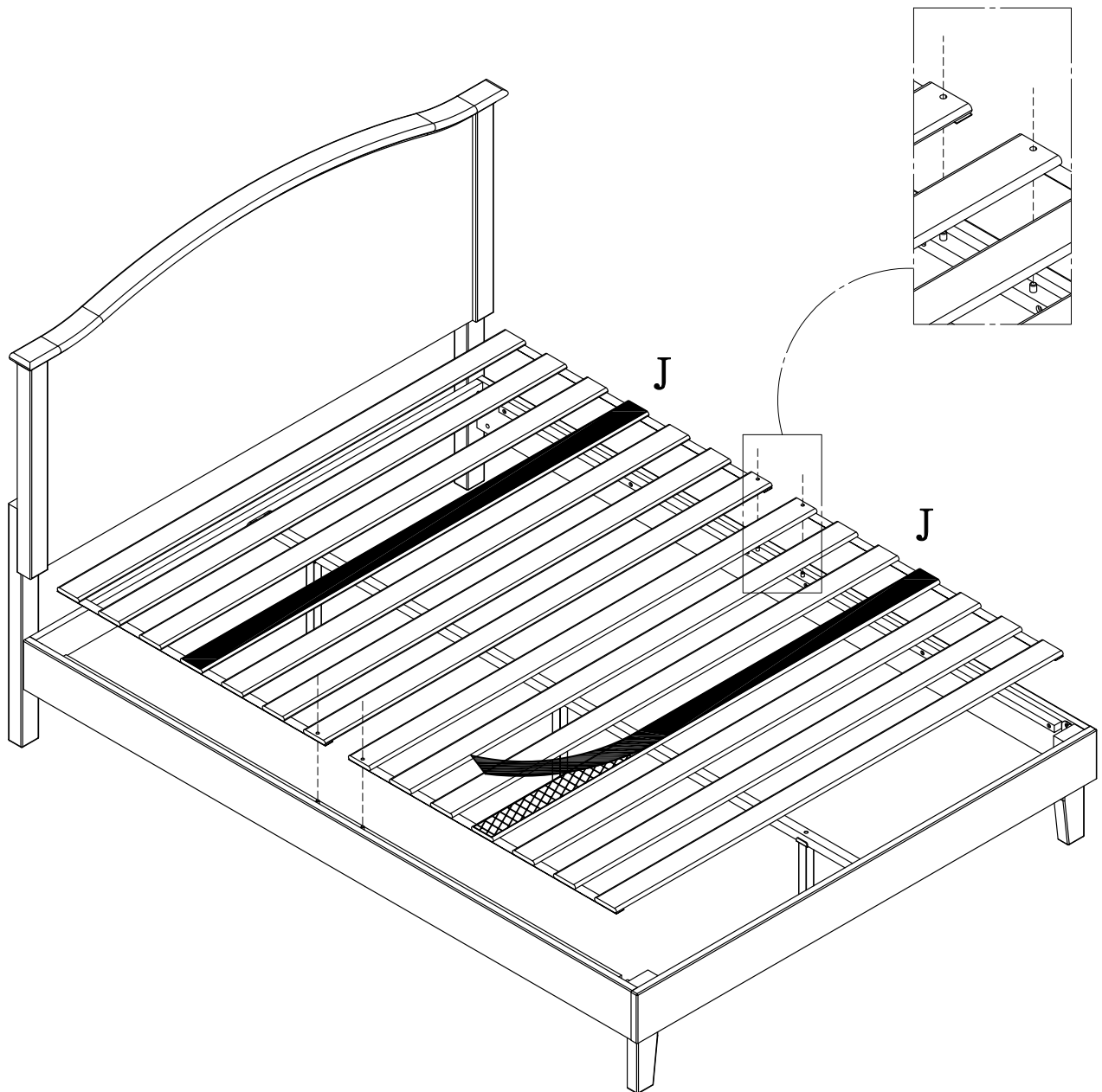
9. Attach cent support (K) to footboard (E) and headboard support bar (D) with screws (HH) fitted with washer (BB) by allen key (CC).



## Assembly (Cont.)

### 10. Lay the 2 sets of slat (J) to fit on the rail on the sideboards.

- Check and ensure that the designated slat on each set is firmly affixed to the rail on the sideboard.
- Remove adhesive covering from the 2 pieces of slate.
- The assembly of the bed platform is complete.



## Maintenance

---

- Keep the product away from direct heat and sunlight.
- Prolonged exposure to heat sources may cause scorching, or even cause color to fade.
- Regular vacuuming or light brushing helps to remove dirt and prevent soil build-up, which increases the appearance wear.
- Periodically (every 90 days) make sure that the screws are fully tightened.

## Care and Cleaning

---

- Handle with care.
- Use a slightly damp cloth to clean the product. Do not use bleach or use abrasive cleaning material.
- Check all the fittings periodically and re-tighten as necessary. Do not use the product if any of the parts is damaged or broken.
- Never allow any kind of liquid to remain on your furniture.
- Absorption can make wood warp or delaminate.
- Do not place hot items (e.g. hot drinks) directly onto the wood surface.
- Do not drag and/or pull the furniture.
- Never use harsh chemicals or solvents on your product as this may damage the metal.
- Marks and stains from pens, crayons and ink markers are difficult to remove. In the event that your product become permanently stained, we recommend that you consult a professional

# **StyleWell™**

**Questions, problems, missing parts?  
Before returning to the store, call Customer Service.  
8 a.m. – 7 p.m., EST, Monday – Friday, 9 a.m. – 6 p.m., EST, Saturday**

**1-877-527-0313  
HOMEDEPOT.COM**

**Retain this manual for future**