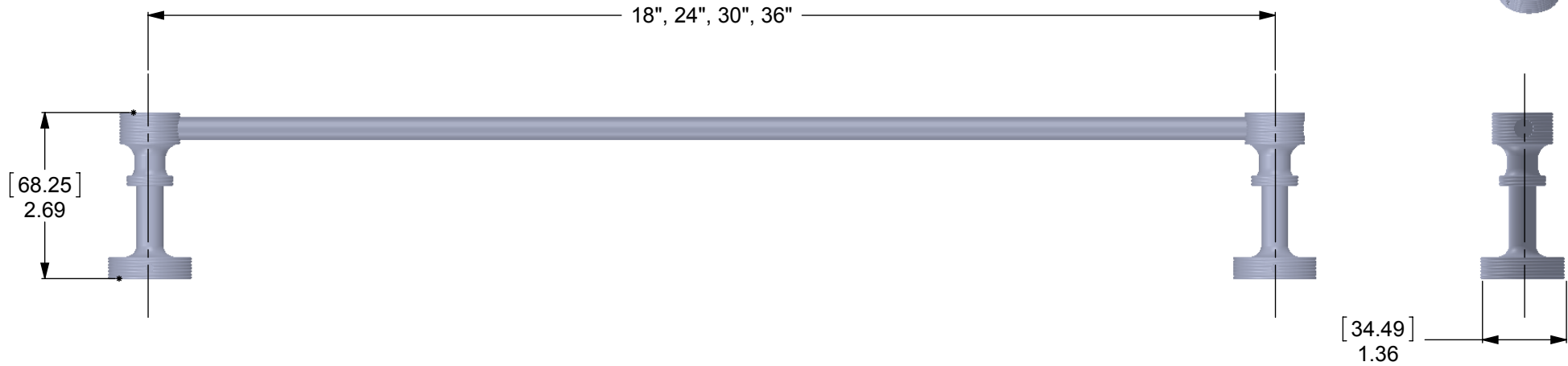
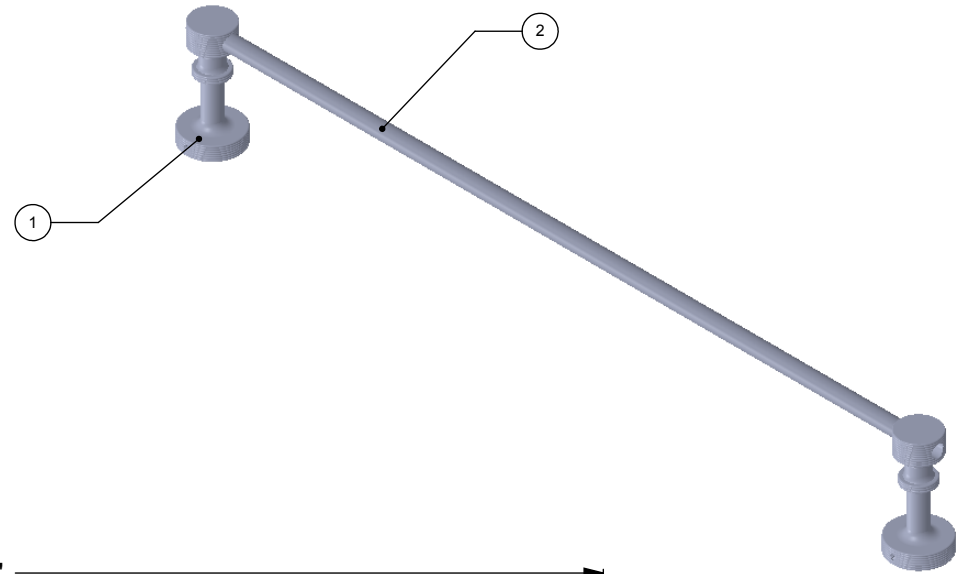


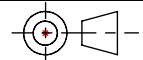
ITEM NO.	P/N	DESCRIPTION	QTY.
1	PSFTS	BASE	1
3	TU38	TUBE - 18",24",30",36"	1



UNLESS OTHERWISE STATED


.X	$\pm .3\text{mm}$
.XX	$\pm .15\text{mm}$
.XXX	$\pm .008\text{mm}$

COPYRIGHT © Allied Brass 2016



THIRD ANGLE PROJECTION

DRAWN	2-5-2016	I.M
CHECKED	2-5-2016	P.D
APPROVED	2-5-2016	R.A

MATERIAL:	BRASS		FINISH	TBD
DESCRIPTION:	TOWEL BAR		QUANTITY	TBD
			DRAWING No.	REV
			FT-21	
			SCALE	1:2.5