



Making Homes WORK Inside and Out

www.homeworksworld.com

1-877-319-3757

DESCRIPTION:

- Laundry Tub Faucet
- Rough brass finish

OPERATION:

- Metal handles

FLOW:

- Flow is limited to 2.2 gpm (8.3 L/min) at 60 psi

CARTRIDGE:

- Washerless cartridge design

STANDARDS&CERTIFICATES:

- ASME A112.18.1/CSA B-125.1 and all applicable requirements referenced therein
- cUPC

WARRANTY:

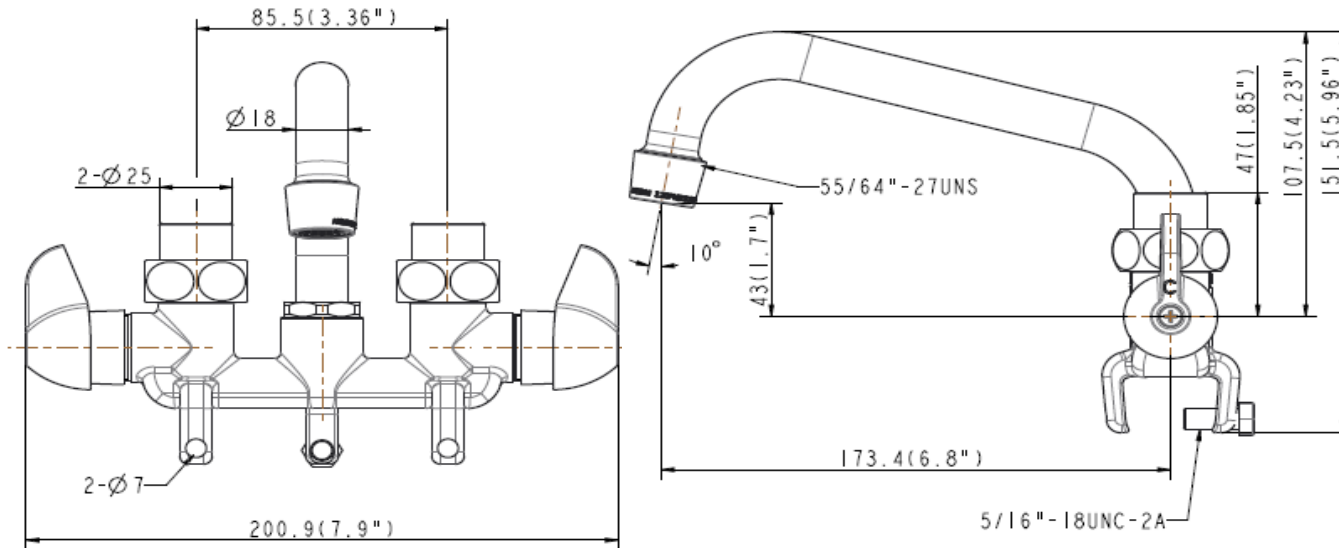
- Lifetime limited warranty against leaks, drips and finish defects to the original consumer purchaser



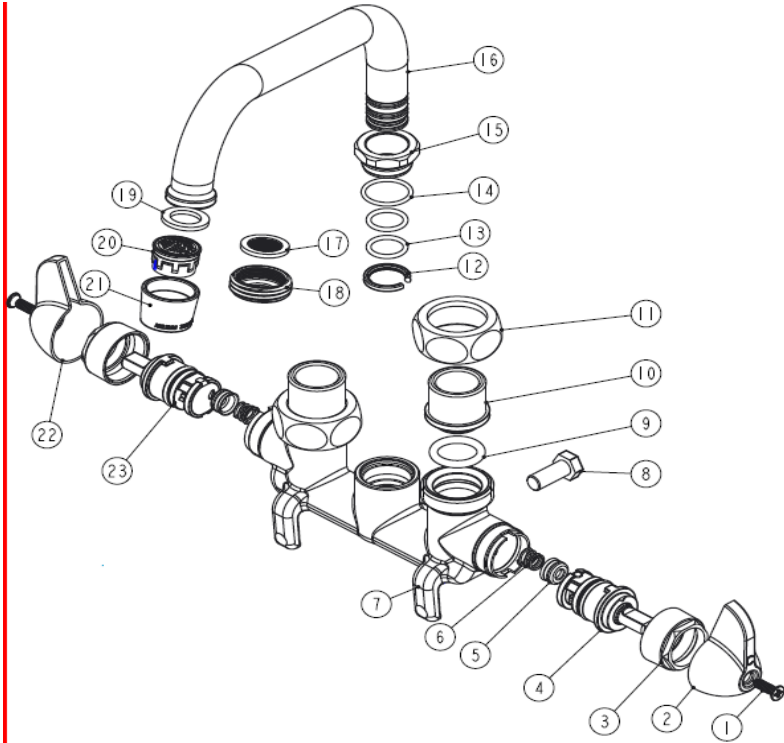
Laundry Tub Faucet

Models: 3310-250-RB-B

3310-250-RB-L-Z (no leader)



Homewerks product specifications in U.S. customary units and metric are approximate and are provided for reference only. For precise measurements, please contact Homewerks Technical service. Homewerks reserves the right to change or modify product design, construction, specifications, or materials without prior notice and without incurring any obligation to make such changes and modifications on Homewerks products previously or subsequently sold.



| Part No. | Des. | Material | QTY |
|----------|-----------------|------------|-----|
| 1 | Screw | S/S | 2 |
| 2&22 | H/C Handle | Zinc | 1 |
| 3 | Nut | Zinc | 2 |
| 4&23 | H/C Cartridge | POM+Brass | 1 |
| 5 | Plug | Rubber | 2 |
| 6 | Spring | S/S | 2 |
| 7 | Body | Brass | 1 |
| 8 | Screw | Iron | 1 |
| 9 | O-Ring | Rubber | 2 |
| 10 | Nut | Brass | 2 |
| 11 | Union Nut | Brass | 2 |
| 12 | C-Ring | POM | 1 |
| 13 | O-Ring | Rubber | 2 |
| 14 | O-Ring | Rubber | 1 |
| 15 | Spout connector | Brass | 1 |
| 16 | Spout | S/S | 1 |
| 17 | Screen Filter | Rubber+S/S | 1 |
| 18 | Hose Adaptor | Brass | 1 |
| 19 | O-Ring | Rubber | 1 |
| 20 | Aerator | POM | 1 |
| 21 | Aerator Shell | Brass | 1 |