

RYOBI
18 Volt Edger
Item No. P2300
Mfg No. 107265001
Replacement Parts List

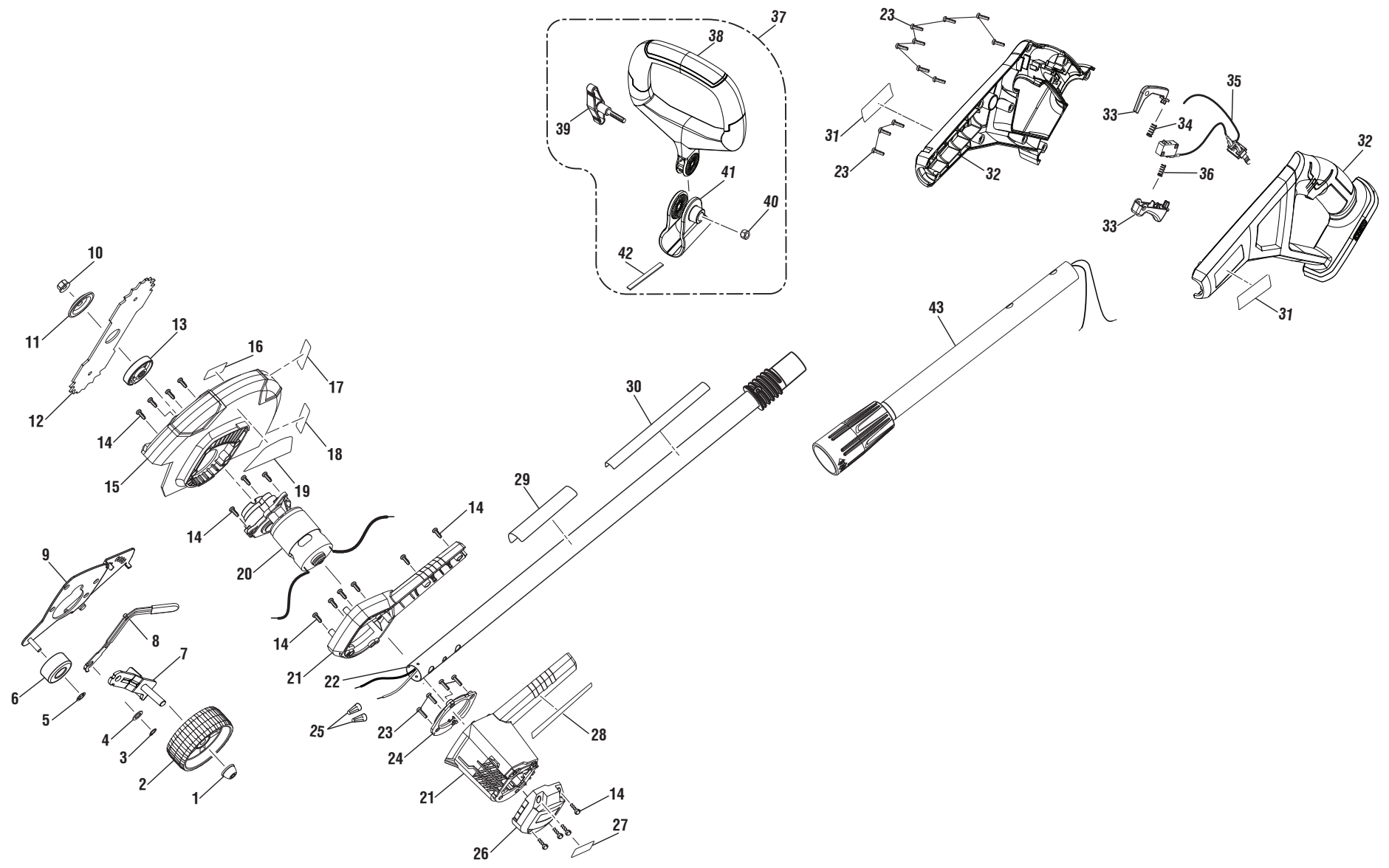
Techtronic Industries Power Equipment

P.O. Box 1288, Anderson, SC 29622

Phone 1-800-860-4050

www.ryobitools.com

RYOBI 18 Volt Edger – Item No. P2300

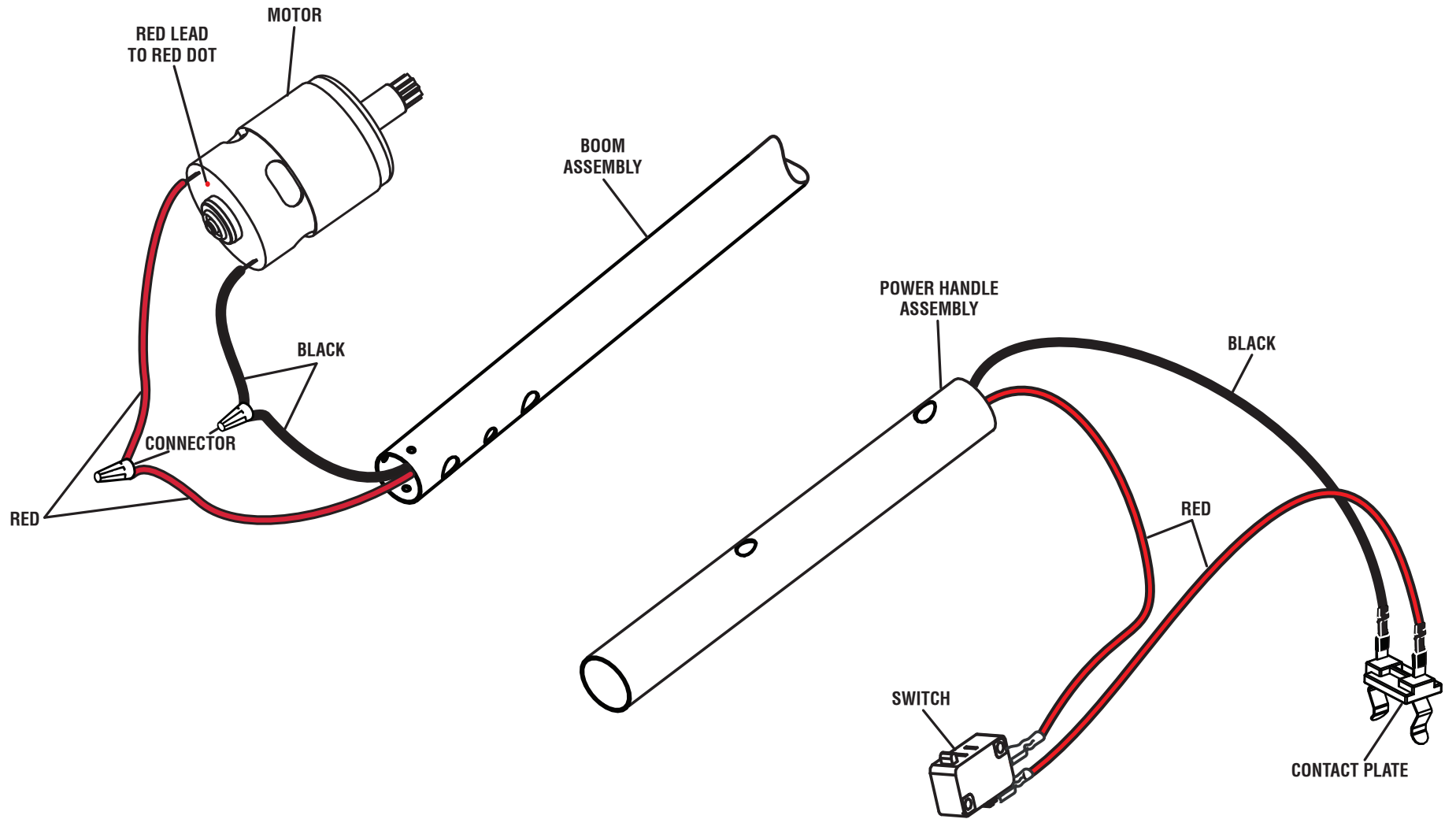


RYOBI 18 Volt Edger – Item No. P2300

The model number will be found on a label attached to the motor housing. Always mention the model number of your **EDGER** when requesting service or ordering repair parts.

KEY NO.	PART NUMBER	DESCRIPTION	QTY
1	308483001	Push Nut (10 mm).....	1
2	525397001	Wheel (Plastic).....	1
3	679995001	C-Ring (OD 10.59 x ID 8.94).....	1
4	639142001	Washer (Wheel Adjuster).....	1
5	311153001	Push Cap.....	1
6	525802001	Wheel (Edger Depth Restrictor).....	1
7	307401001	Pivot Bracket Assembly.....	1
8	311150001	Depth Adjustment Lever.....	1
9	311151001	Bracket Assembly (Anti-Skid Pad).....	1
10	678128002	Hex Nut w/Lock Washer.....	1
11	638017001	Cupped Washer.....	1
12	638006008	Blade.....	1
13	678011001	Flange Washer.....	1
14	661817001	Screw (M4 x 14 mm, T15 Torx Pan Hd.).....	17
15	311597001	Guard Assembly (Inc. Key Nos. 16-19).....	1
16	940851074	Guard Logo.....	1
17	940851072	Shield Icon Warning Label.....	1
18	941748001	Wheel Depth Adjustment Label.....	1
19	941588097	Data Label.....	1
20	220364001	Motor and Gear Box Assembly.....	1
21	311592001	Motor Housing (Inc. Key No. 28).....	1
22	311596001	Lower Boom Assembly.....	1
23	660206055	Screw (M3.5 x 14 mm, Pan Hd.).....	15
24	525398001	Baffle.....	1

KEY NO.	PART NUMBER	DESCRIPTION	QTY
25	790009004	Wire Nut.....	2
26	311595001	Motor Cover (Inc. Key No. 27).....	1
27	940705297	Ryobi Logo Label.....	1
28	940851073	18V Lithium Label.....	1
29	940851070	Warning Label (French & Spanish).....	1
30	940851069	Icon Warning Label.....	1
31	940705298	Logo Label (Handle).....	2
32	311591001	Rear Handle Assembly (Inc. Key No. 31).....	1
33	311593001	Switch Trigger Assembly.....	1
34	679083001	Compression Spring (Lock-Out).....	1
35	311594001	Wiring Harness.....	1
36	679083001	Compression Spring.....	1
37	311158001	Auxiliary Handle Assembly (Inc. Key Nos. 38-42).....	1
38	523409001	Front Handle Assembly.....	1
39	522983001	Wing Bolt (M6 x 1 in.).....	1
40	680196006	Hex Nut (M6).....	1
41	310921001	Clamp Assembly (Inc. Key No. 42).....	1
42	570112001	Rubber Plate.....	1
43	307995001	Upper Boom Assembly.....	1
Not Shown			
	991000626	Operator's Manual	
	3-5-19		
	(Rev:03)		



WIRING DIAGRAM