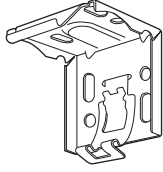


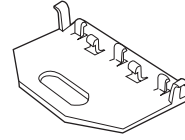
1 Check package for the complete set of parts



bracket x 2

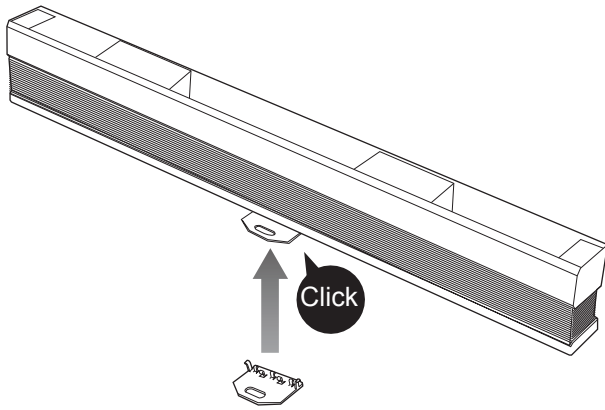


screw x 4

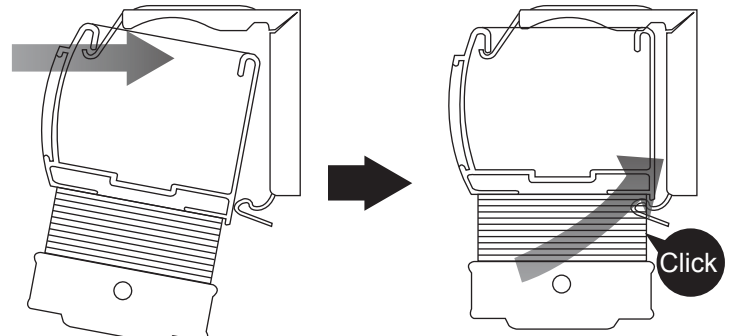


operate handle x 1

2 Attach the operate handle to the bottom rail.



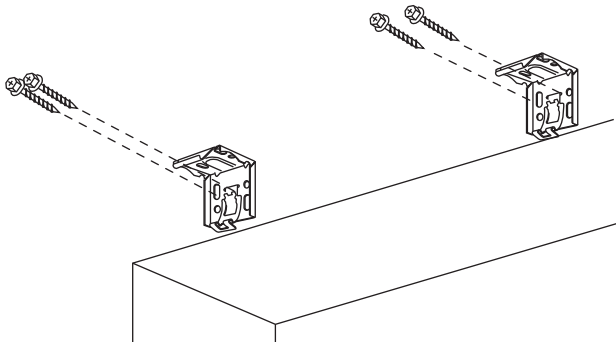
4 When both brackets are secured to the wall / ceiling



Clip on the brackets to the headrail with a "Click" sound

3 Install bracket as :

Outside Wall Mount



Inside Ceiling Mount

