

Bathroom Vessel Sinks Installation Instructions

Attention

- Please follow all local building and plumbing codes when installing this product.
- This is a general installation guideline, actual installation may vary. Consult a professional if necessary.
- Product drawings in this installation guide is for illustration purpose only. Actual product may vary depending on the model.
- Always take extra precaution and wear appropriate safety equipment when installing this product.
- Improper installation of this product will void the warranty and may cause damage to the surrounding area.
- This installation guide is subject to change without notice, please contact our customer service department to request the most updated version of this installation guide.

Before You Begin

1. Prior to installation, unpack your new bathroom sink and inspect it. Keep the product in its original package until you are ready to install it.
2. Shut the water supply off when replacing an existing fixture. Preparation of the floors and walls, including all additional wall supports, may be required.
3. It is recommended that this installation be done by professional plumber.

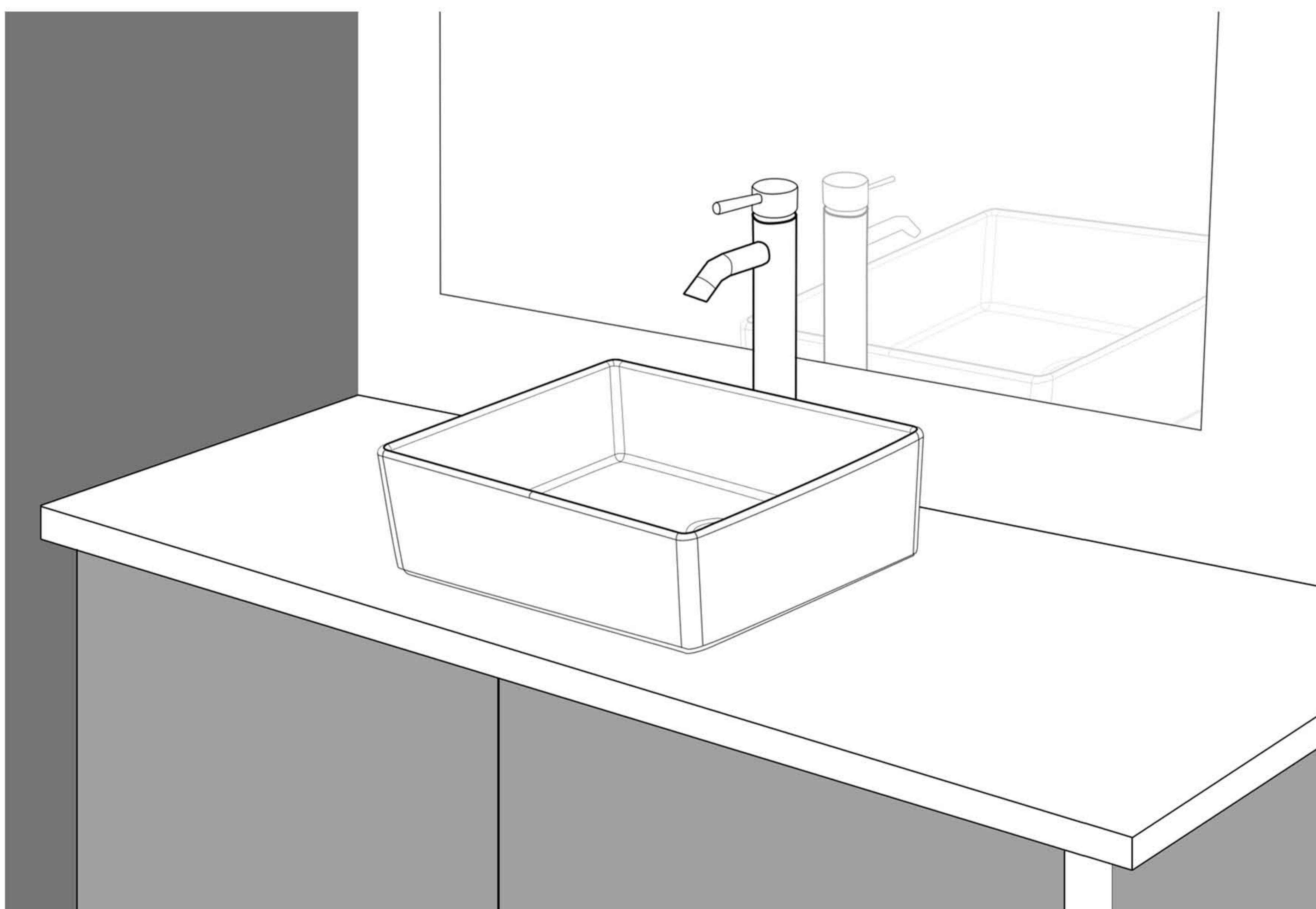
Aurora Decor

Recommended Tools

- * Plumber's Putty and Caulking
- * Jig Saw / Power Tool
- * Pencil or Marker
- * Putty Knife
- * Adjustable Wrench & Pipe Wrench
- * Silicon Adhesive
- * Drill with Drill bit
- * Level
- * Tape Measure
- * Eye Protection

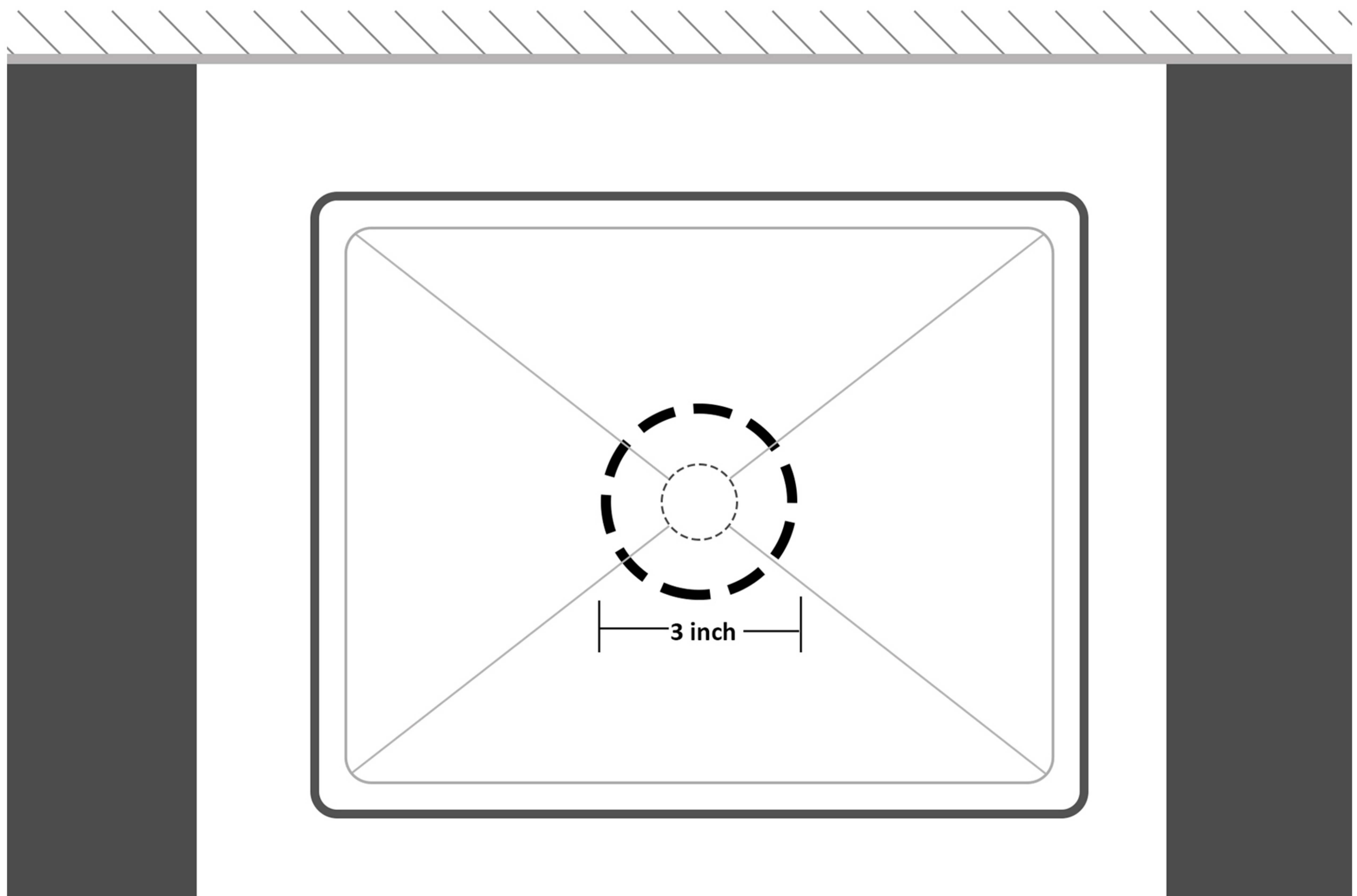
Installation Instructions

Step#1: Put the sink onto countertop to determine the optimal placement prior to installation (Note: Minimum clearance distance is required for sink faucet)



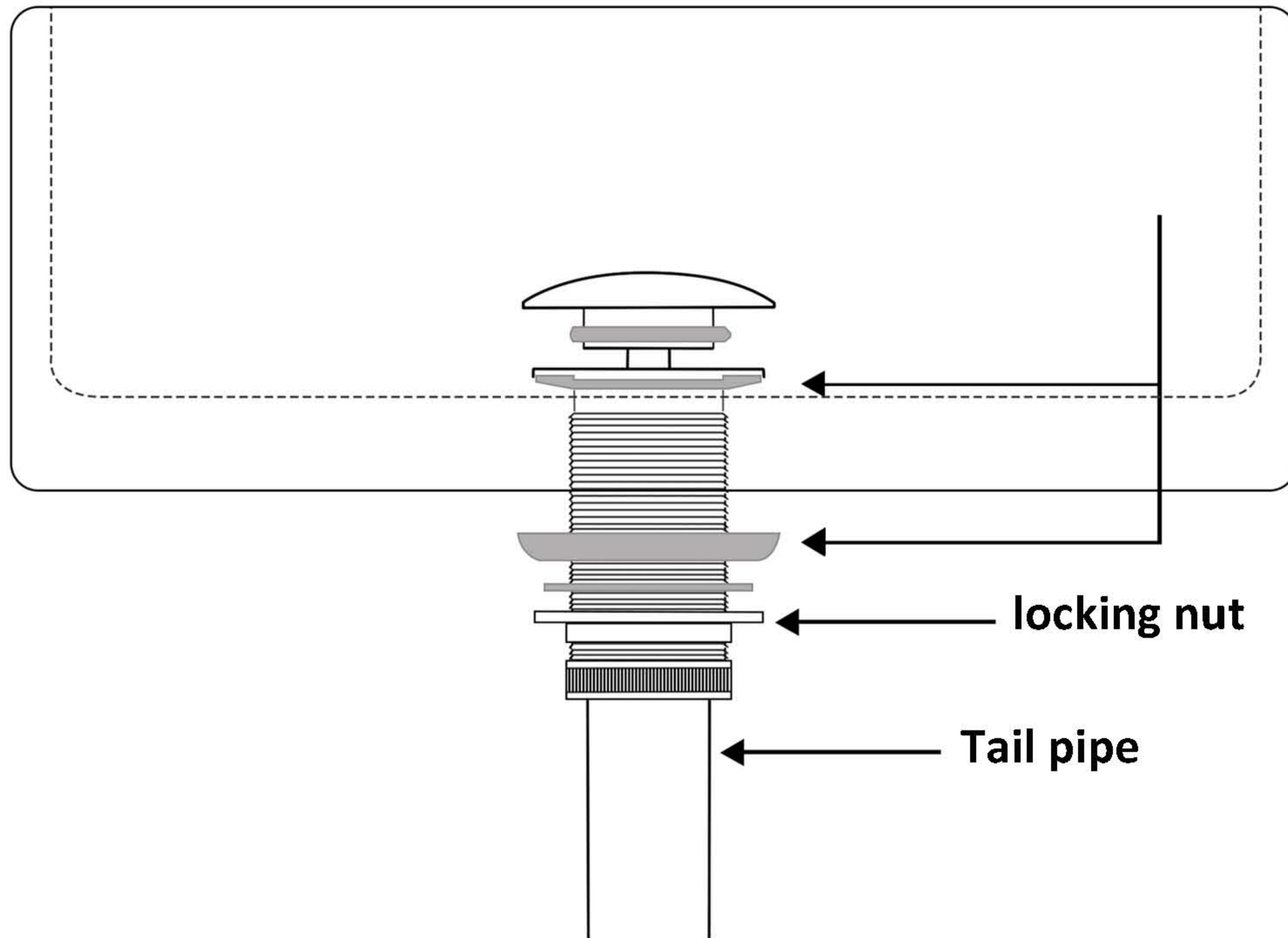
Aurora Decor

Step#2: Once the position is confirmed, mark the center of the drain hole and set aside the vessel sink. Draw a 3 inch diameter circle around the center of the drain hole. Use a jigsaw or a power tool to cut the opening on the countertop.

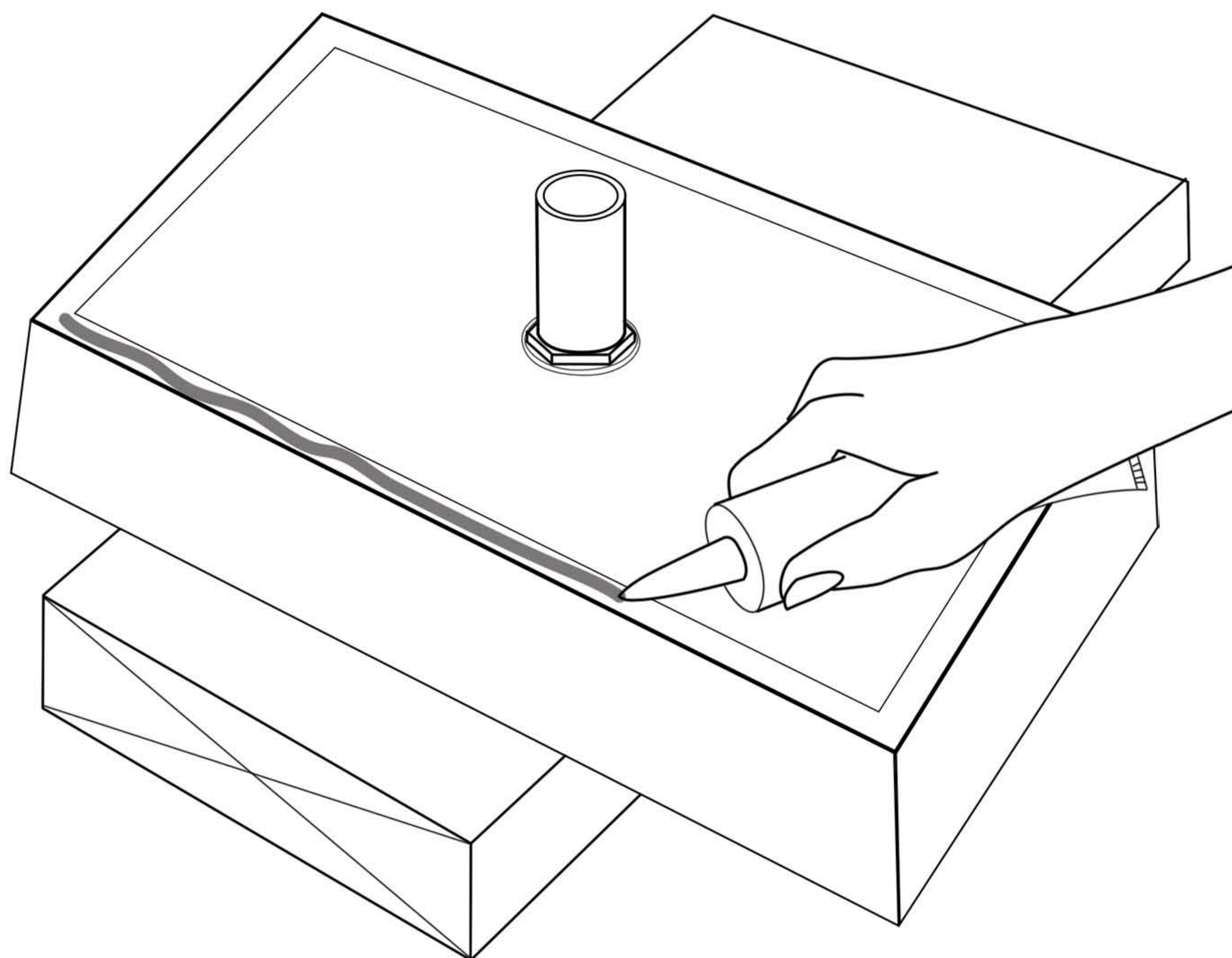


Step#3: Install drain according to manufacturer's installation instructions. (Note: drain not included, and do not overtighten the drain, which will damage the sink surrounding area.)

Aurora Decor

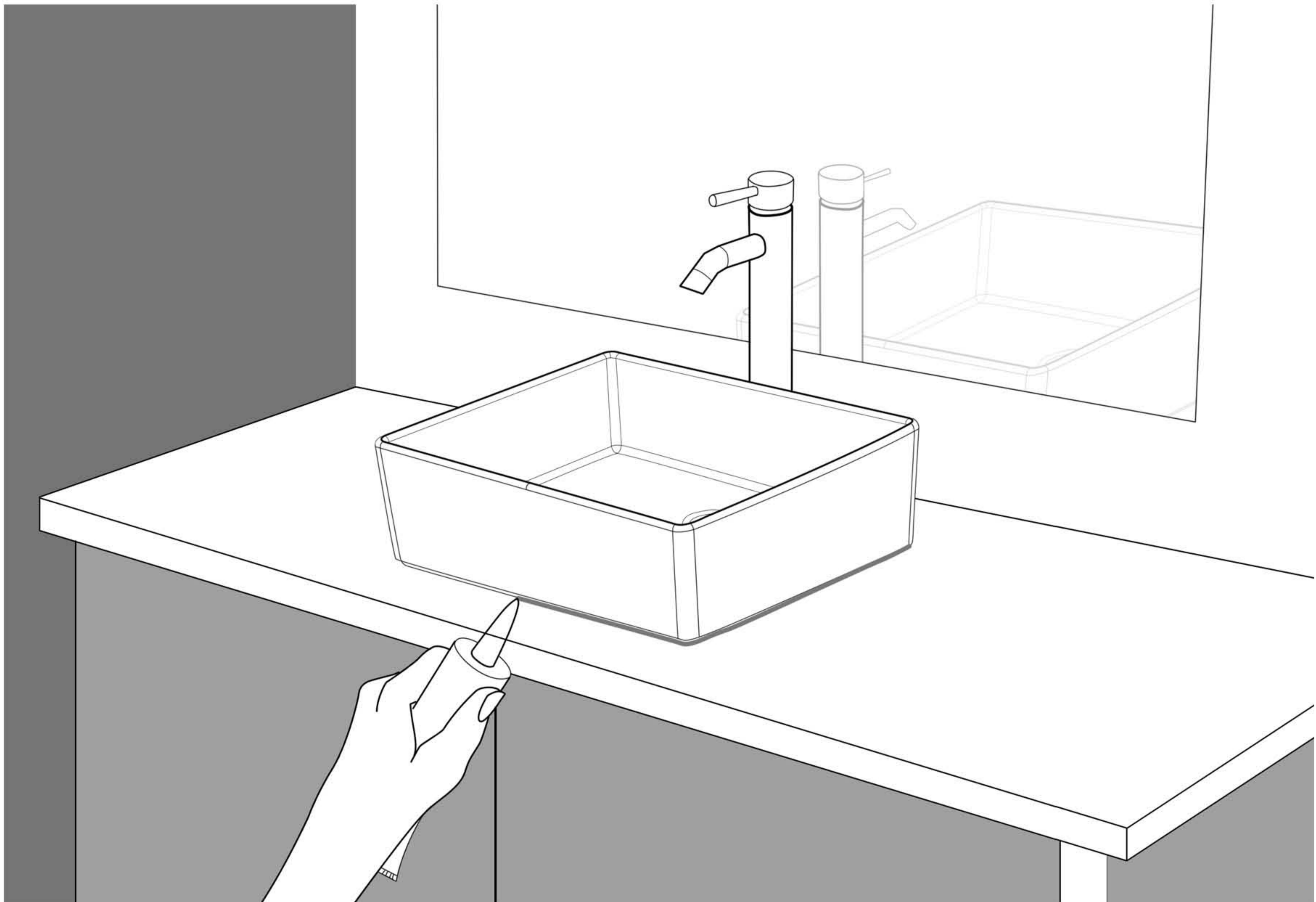


Step#4: Apply silicon adhesive around the bottom rim of the vessel sink and place the sink onto countertop. Plumber's putty can be used to level the sink.



Aurora Decor

Step#5: Install the sink well and connect P-trap to the drain and check for alignment. Apply some caulking around the base of the sink to seal any gap between the sink and the countertop.



Care and Cleaning

For best results in caring for your sink, we suggest the following:

- * Clean the outside surface with mild soap, warm water, and a soft cloth.
- * On stubborn stains, use a powdered detergent and damp sponge or nylon scouring pad.
- * Never use abrasive scouring powders, cleansers, or pads because they will scratch, damage, and dull the surface.