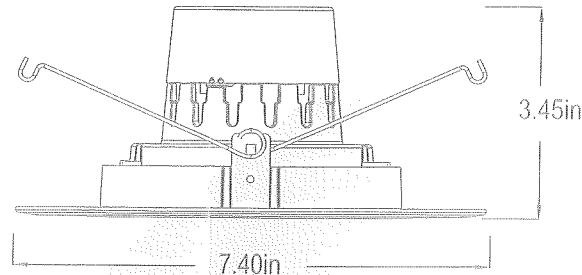


NUWATT

5/6" Adjustable Downlight 5CCT

Visit www.nuwattlighting.com for installation video

WARNING: Please read these instructions carefully and retain them for future reference. The retrofit kit included LED Lamp, a Warning Label and an installation instruction. Please check these items when unpacking. The Warning Label must be placed on the recessed can. Place the label on a clean surface visible to the person replacing or servicing the retrofit kit. Risk of electrical shock or fire. Do not alter, relocate, or remove wiring, lamp holder, power supply or any other electrical components. If you are not qualified, do not attempt installation. Contact a qualified electrician. Suitable for dry and damp locations only. To prevent electrical shock, please wear rubber shoes or work gloves when installing the retrofit kit. 5 Year warranty is limited to the repair or replacement of defective lamps identified by NuWatt Inc. Damages caused by abuse and misuse are not covered by warranty. This retrofit kit is acceptable as a component of a led luminaire where the suitability be determined by CSA or canadian authorities having jurisdiction.

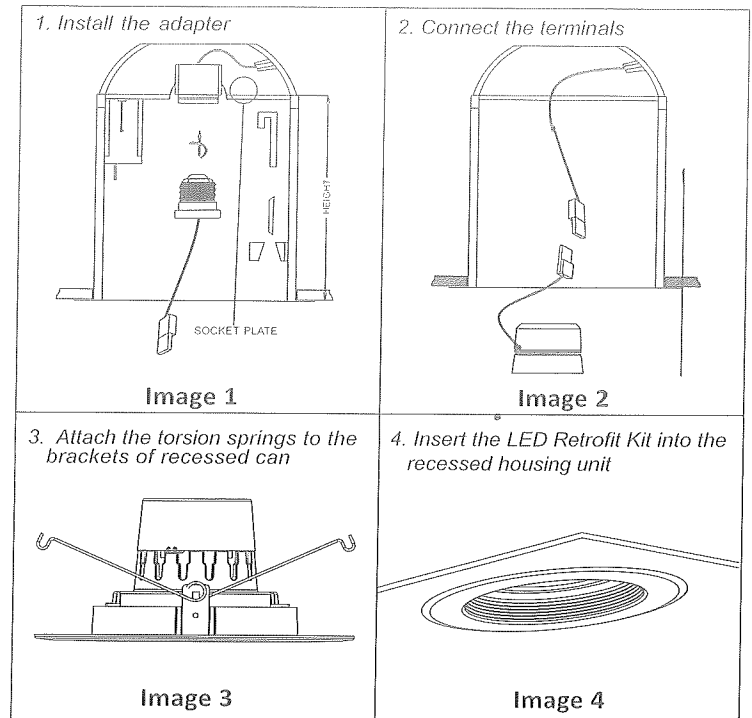
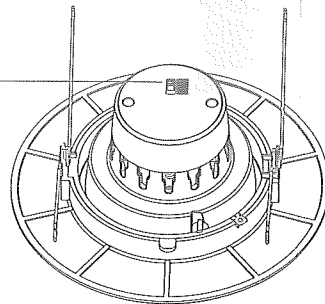


- 1 Turn off the power before installation. Remove the existing bulb and if necessary, remove the existing trim. Attach the warning label to the inside of the recessed can.
- 2 Twist the lamp base into the lamp holder, as shown in **Image 1**.
- 3 Connect the lamp connector with lamp holder connector, as shown in **Image 2**.
- 4 Insert the clips to the brackets of the recessed can, as shown in **Image 3**.
- 5 Guide the retrofit kit into the recessed can, as shown in **Image 4**.

5CCT adjustable
(2700K/3000K/3500K/4000K/5000K)

Function : 5/6" 5CCT adjustable
Switch the CCT to adjust the color Temperature
(2700K-3000K-3500K-4000K-5000K)

- 1.Voltage: 120V/AC;
- 2.Operating frequency: 50/60Hz;
- 3.Working temp: -20 C —45 C



Dimmer Compatibility: Lutron 6B3B, Lutron 6B38, Leviton 6842, Leviton 1D4505, Leviton NOM057, Leviton 3B14, Leviton 9D10, Cooper 6B28, Philips SR150, GE1319.