



# Electric Log Splitter

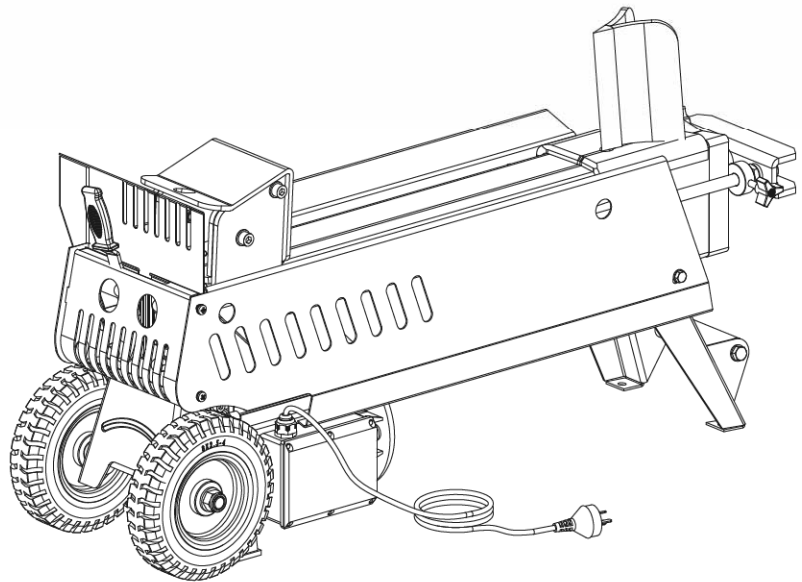
Operator's Manual

**MODEL NUMBER**  
YS0952

**SERIAL NUMBER**

**PURCHASE DATE**

Both model number and serial number may be found on the main label. You should record both of them in a safe place for future use.



---

**FOR YOUR SAFETY**

*READ AND UNDERSTAND THE ENTIRE MANUAL BEFORE OPERATING MACHINE*

---

Your new YARDMAX® electric log splitter offers quality construction, and is easy and safe to operate. With proper use and care, it is designed to give you many years of dependable service.

Prepare to experience the durability to take on any job – with the ease, portability, and convenience of clean, electric splitting!

### Discover the YARDMAX Advantage

At YARDMAX, we understand that land ownership definitely has its privileges, but it also comes with a great deal of responsibility. When duty calls and you need to respond, will you have what it takes to tame the great outdoors?

When looking for outdoor power equipment (OPE) to get the job done right, at the right price, YARDMAX delivers the perfect combination of performance and practicality. YARDMAX has a solution that's right for you.

### MAX Performance, MAX Value, MAX Support – that's YARDMAX

- ✓ Backed by decades of proven manufacturing expertise
- ✓ Enhanced design features come standard
- ✓ Engineered for the best user experience
- ✓ Quality metal parts are used instead of plastic
- ✓ A robust warranty supports all products
- ✓ Budget-friendly prices make it practical



*Up for the job? YARDMAX is.*

---

## TABLE OF CONTENTS

---

Introduction	1
Specifications	3
Symbols	3
Safety	4
Contents Supplied	5
Assembly	6
Know Your Machine	8
Operation	9

Freeing a Jammed Log	11
Replacing Hydraulic Oil	12
Sharpening the Wedge	13
Troubleshooting	14
Wiring Diagram	14
Plumbing Diagram	14
Parts Diagram	15
Parts List	16



Carefully read through this entire operator's manual before using your new Log Splitter. Pay attention to all cautions and warnings.

### CALIFORNIA PROPOSITION 65 WARNING

Engine exhaust, some of its constituents and certain product components contain or emit chemicals known to the state of California to cause cancer and birth defects or other reproductive harm. For more information, go to [www.P65Warnings.ca.gov](http://www.P65Warnings.ca.gov).

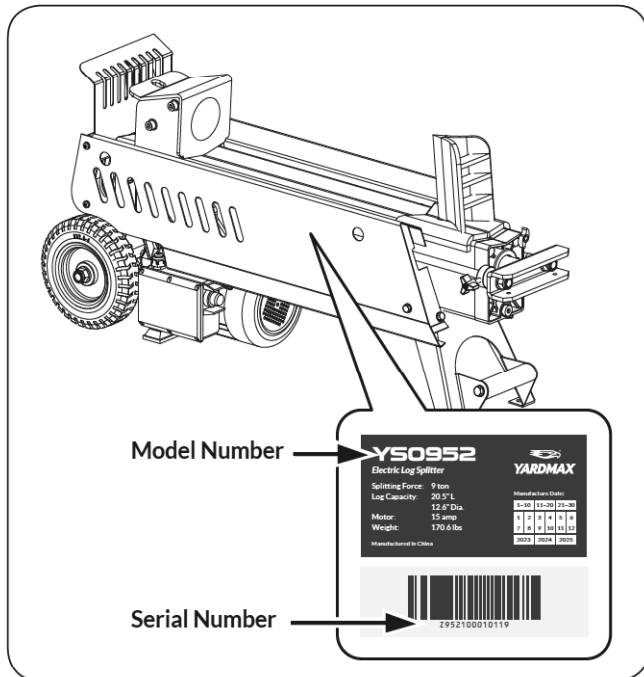
### ENVIRONMENTAL



Recycle unwanted materials instead of disposing of them as waste. All tools, hoses, and packaging should be resorted, taken to the local recycling center and disposed of in an environmentally safe way.

### MODEL AND SERIAL NUMBERS

Record the model and serial number as well as date and place of purchase for future reference. Have this information available when ordering parts or optional accessories and when making technical or warranty inquiries.

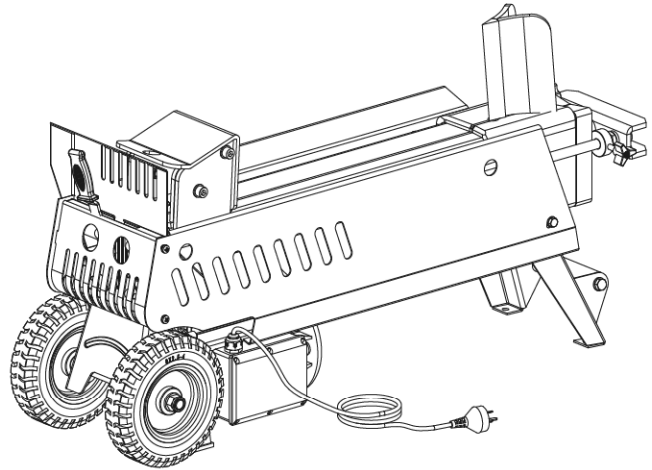


### DISCLAIMER

YARDMAX reserves the right to discontinue, change, and improve its products at any time without notice or obligation to the purchaser. The descriptions and specifications contained in this manual were in effect at printing. Equipment described within this manual may be optional. Some illustrations may not be applicable to your unit.

### SUPPORT

Have questions about your YARDMAX equipment? Call us at 847-327-0566 or 844-YARDMAX, email us at [support@yardmax.com](mailto:support@yardmax.com), or contact us via your favorite social media site.



## SPECIFICATIONS

Model Number	YS0952
Splitting Force	9 ton (+/- 10%)*
Log Capacity	20.5" L x 12.6" dia.
Wedge Size	6"
Hydraulic Capacity	1.72 gal
Cylinder Cycle Time	Forward: 7s - 16s
	Reverse: 7s
Wheel size	8"
Motor	15 amp
Product Weight	170.6 lbs
Cylinder Size	2.75"
Product Dimensions	41.7" x 10.9" x 20.6"
Operating Position	Horizontal
Stroke Limiter	Included

\*Slower splitting speed setting gives more force, faster speed gives less force

## SYMBOLS

The rating plate on your machine may show symbols. These represent important information about the product or instructions on its use.



Read these instructions carefully.



Wear eye protection.



Wear hearing protection.



Wear protective gloves.



Wear safety footwear.



Do not remove or tamper with the protection and safety devices.

Properly dispose of waste oil!



Keep hands and fingers away from all pinch points.



Never remove partially split wood from the wedge with your hands. Fingers may become trapped between the split wood.



Warning! Stay clear of moving parts!



Disconnect the main plug prior to the repair, cleaning, and maintenance of the splitter!



Keep children and bystanders off and away.

## SAFETY

### KNOW YOUR LOG SPLITTER

Read this manual and all labels to understand your YARDMAX log splitter and its limitations and potential hazards.

### DRUGS, ALCOHOL, AND MEDICATION

Do not operate your log splitter while under the influence of drugs, alcohol, or any medication that could affect your ability to use it properly.

### AVOID DANGEROUS CONDITIONS

Secure your log splitter on level ground. Keep your work area clean and well lighted. Cluttered areas may cause injuries. Do not use your log splitter in wet or damp areas or expose it to rain. Do not use it in areas where fumes from paint, solvents, or flammable liquids pose a potential hazard.

### INSPECT YOUR LOG SPLITTER

Inspect your log splitter before turning it on. Keep guards in place and in working order. Regularly check to see that keys and adjusting wrenches are removed from the tool area before turning it on. Replace damaged, missing, or failed parts before using it.

### DRESS PROPERLY

Do not wear loose clothing, gloves, or jewelry (rings, watches) that can be caught in moving parts. Wear protective nonconductive gloves and nonskid footwear. Pull long hair back or wear a hat to prevent hair from getting caught in the machine.

### PROTECT YOUR EYES

Always wear safety glasses. Log splitters can throw foreign objects into the eyes, causing permanent eye damage. Everyday glasses do not have impact-resistant lenses and should not replace safety glasses. Z87 rated glasses are recommended.

### PROTECT YOUR BODY

Always stand behind the log splitter and be alert. Logs can become a projectile under force of the ram in any direction.

### KEEP VISITORS AND CHILDREN AWAY

Only one person at a time should operate the log splitter. Bystanders should keep a safe distance from the work area, standing behind the operator. Never have another person help you free a jammed log.

### EXTENSION CORDS

Improper use of extension cords can result in overheating. Your extension cord should be no longer than 30 feet and a minimum of 12 gauge with a 3-prong grounded plug.

### AVOID ELECTRICAL SHOCK

Never open the pushbutton box on the motor. For any service please contact YARDMAX or an authorized service center. Make sure your fingers do not touch the plug's metal prongs when plugging or unplugging the log splitter.



**WARNING!** Stay of clear of all moving parts!

### INSPECT YOUR LOG

Make sure there are no nails or foreign objects in logs to be split. The ends of the logs must be cut square. Branches must be cut off flush with the trunk. Knots can make a log split differently and could cause the log to become a projectile.

### DON'T OVERREACH

Do not operate your log splitter on a slippery surface. Never stand on the log splitter.

### AVOID INJURY FROM ACCIDENTS

Always pay attention to the movement of the log ram. Do not load the log until the log ram has stopped.

### PROTECT YOUR HANDS

Keep your hands out of the way of all moving parts. Keep your hands away from splits and cracks that open in the log; they may close suddenly and crush or cut off your hands. Do not remove jammed logs with your hands.

### DO NOT FORCE TOOL

Your log splitter will do a better and safer job at its design rate. Never try to split logs larger than those indicated in the specifications table. This could be dangerous and may damage the machine. Do not use your log splitter for anything other than splitting logs.

### NEVER LEAVE TOOL UNATTENDED

Do not leave your log splitter until it has come to a complete stop.

### DISCONNECT POWER

Unplug your log splitter when not in use and before making adjustments, changing parts, cleaning, or servicing. Consult the technical manual before servicing.

### PROTECT THE ENVIRONMENT

Take used oil to an authorized collection point. Do not pour into drains, soil, or water.

### MAINTAIN YOUR LOG SPLITTER WITH CARE

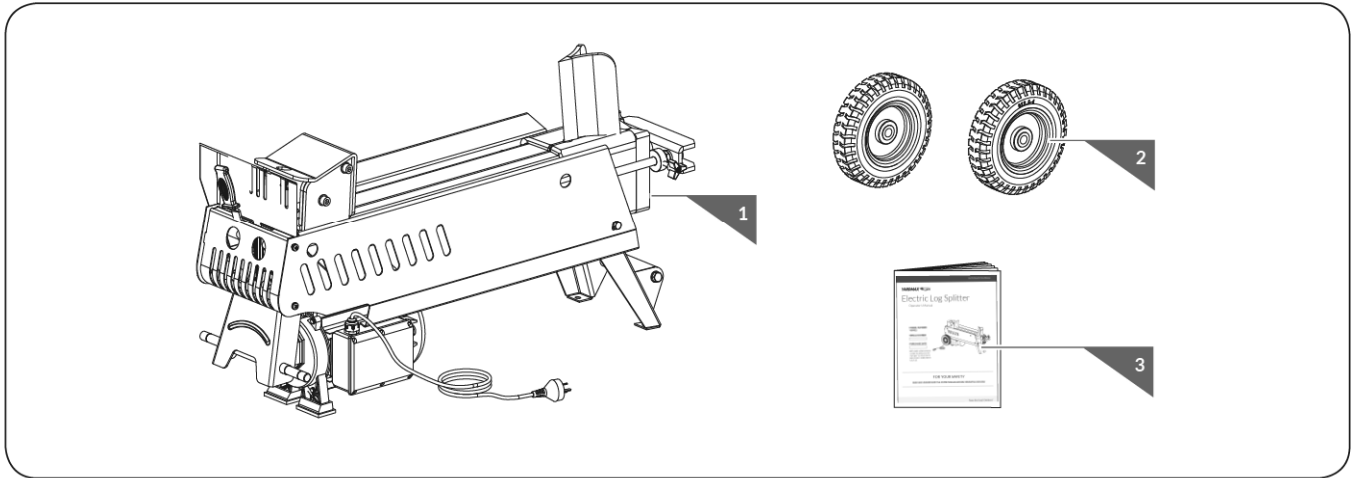
Keep your log splitter and its parts clean.

### CHILDPROOF YOUR WORKSHOP

Store your log splitter away from children and others not qualified to use it.

## CONTENTS SUPPLIED

Your YARDMAX log splitter comes completely assembled and contains the following:



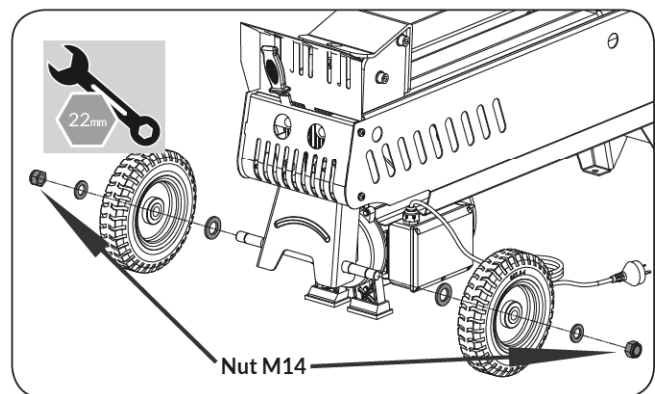
1. Log Splitter
2. Wheels
3. Operator's Manual

## ASSEMBLY

This power sweeper was partially assembled at the factory. To assemble your machine follow the below instructions.

### LOWER HANDLE

Remove the nuts and washers from the wheel axle. Then fasten the wheels with these removed hardware.

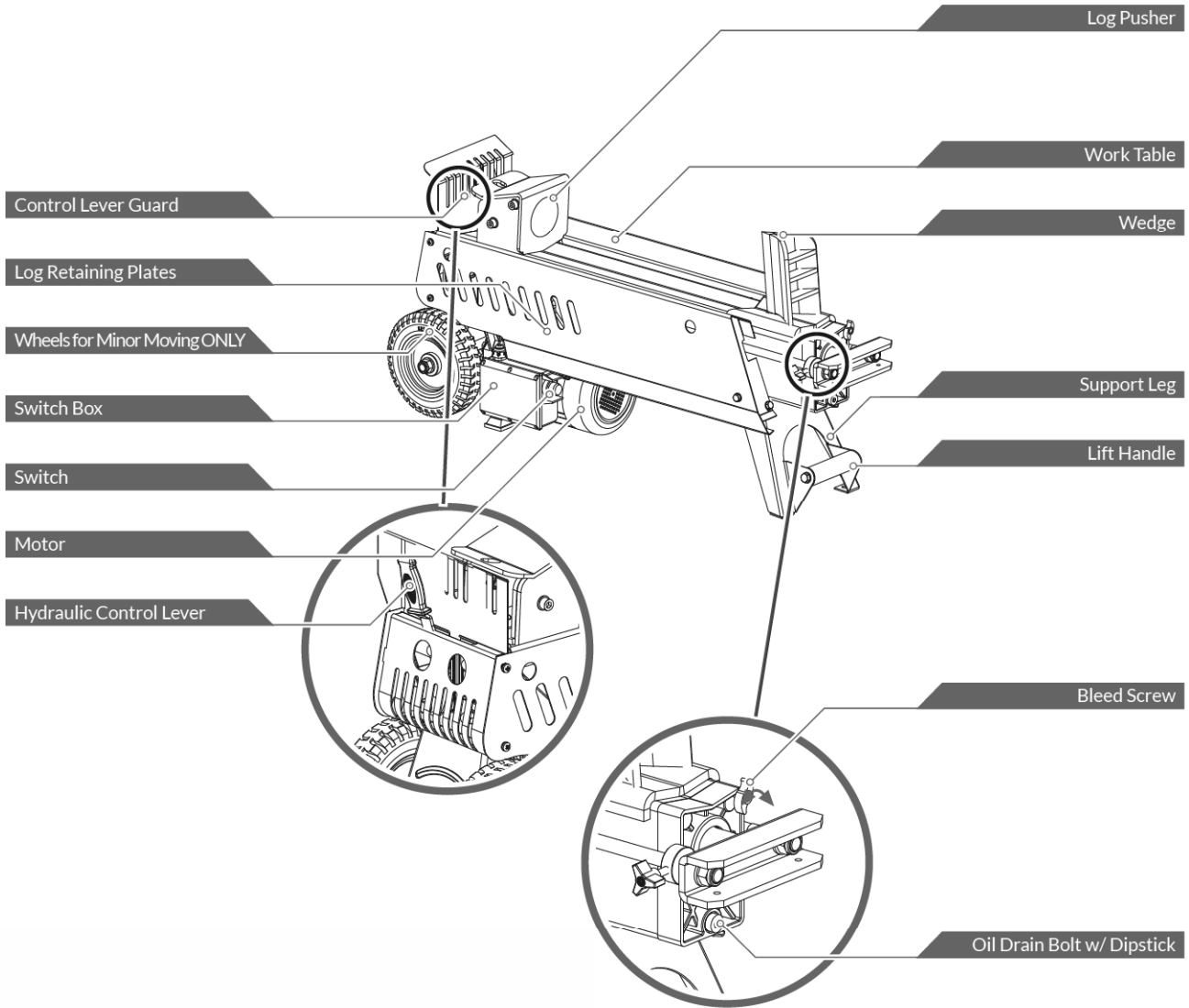


M14

X 2

# KNOW YOUR MACHINE

## FEATURES AND CONTROLS



### BLEED SCREW

- » Before operating your log splitter, loosen the bleed screw enough to allow air to freely flow in and out of the oil tank.
- » Air flow through the bleed screw hole should be detectable when the log splitter is in use.
- » Before moving the log splitter, make sure the bleed screw is tightened to avoid oil leakage.



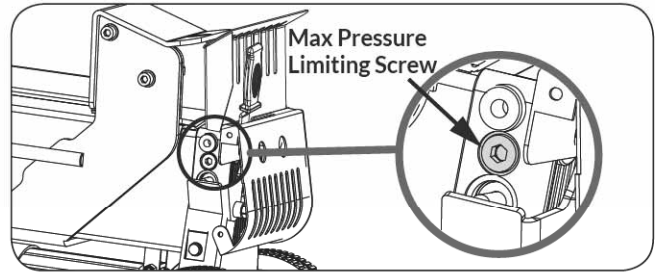
*Failure to loosen the bleed screw will keep the sealed air in the hydraulic system compressed. Continuous air compression and decompression will blow out the seals of the hydraulic system and cause permanent damage to the log splitter.*

## MAX PRESSURE LIMITING SCREW

- » Max pressure was preset at the factory by a qualified mechanic using professional tools.
- » Unauthorized resetting will prevent the hydraulic pump from providing enough splitting pressure or **RESULT IN SERIOUS INJURY AS WELL AS DAMAGE TO THE MACHINE.**



*Do not adjust the max pressure limiting screw!*



## OPERATION

### OPERATING CONDITIONS

Your YARDMAX log splitter is designed to operate in temperatures between 40°F and 100°F and at altitudes below 3,200 ft (above sea level). The surrounding humidity should be less than 50% at 100°F. It can be stored or transported in temperatures between -10°F and 130°F.

### ELECTRICAL REQUIREMENTS

Confirm that you have a US Standard, 3 pin grounded, Type B 15 AMP (NEMA 5-15).

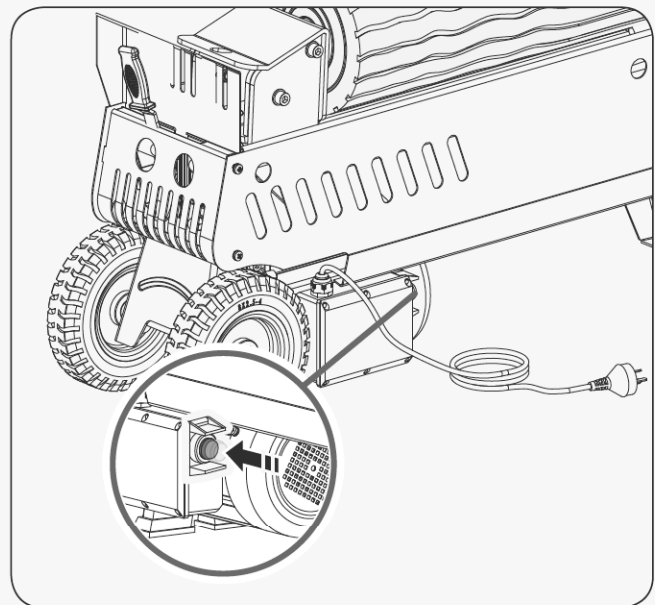
Check that the electric circuit is grounded, adequately protected, and that it corresponds with the power, voltage, and frequency of the motor.

### APPLICATION CONDITIONS

This log splitter is a home use model. It is designed for operating under ambient temperatures between +5°C and 40°C and for installation at altitudes no more than 1000m above M.S.L. The surrounding humidity should be less than 50% at 40°C. It can be stored or transported under ambient temperatures between -25°C and 55°C.

### ONE-HANDED OPERATION

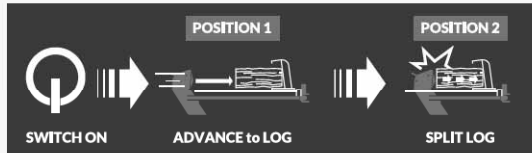
1. Switch on the motor.
2. Operate the control handle to split the log.



*If the log does not begin to split after 5 seconds of operation, release both controls. The motor or hydraulic fluid may overheat and damage your log splitter.*



## 2-STAGE CONTROL



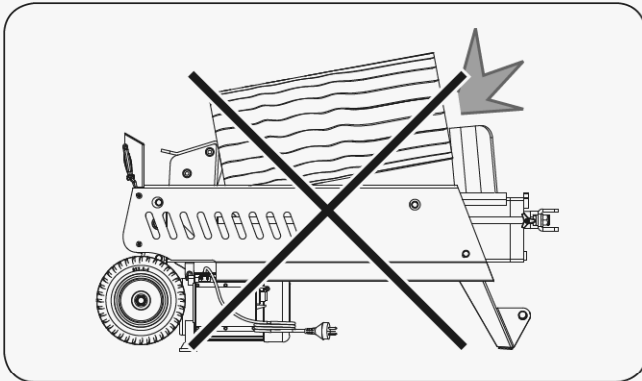
The splitting force and speed are governed by the 2-stage control lever. Push the lever to POSITION 1 to advance (faster) to the log using less splitting force. **Don't split the logs at POSITION 1.** Push the lever all the way to POSITION 2 to apply maximum splitting force and slower speed to split logs. These stages can be changed simply by moving the lever to one position or the other.

## SPLIT HARD WOOD

If you are having trouble splitting a very hard piece of wood, simply rotate your log 90° and try splitting it from that direction. If the log cannot be split, then its hardness exceeds the machine's capacity.

## LOADING A LOG

When loading a log, place hands on the sides of the log, not the ends. Make sure logs will not twist, rock, or slip while being split.



*Do not split logs on the upper part of the blade. This could break the blade or damage the machine.*

## ADJUSTING THE RETURN STOP

If you are splitting a pile of shorter logs, you may want to prevent the pusher plate returning all the way back to start, as this will speed up future operations.

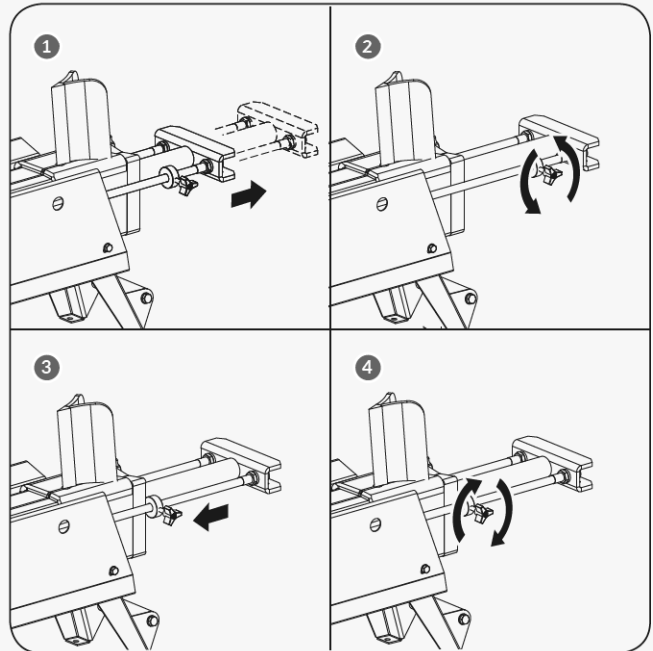
To adjust the pusher plate position:

1. Extend the ram fully. When the ram is at full extension, release the push button switch, but keep the control lever pressed down to prevent the ram from returning.

» Do not put any logs on the log splitter at this stage.

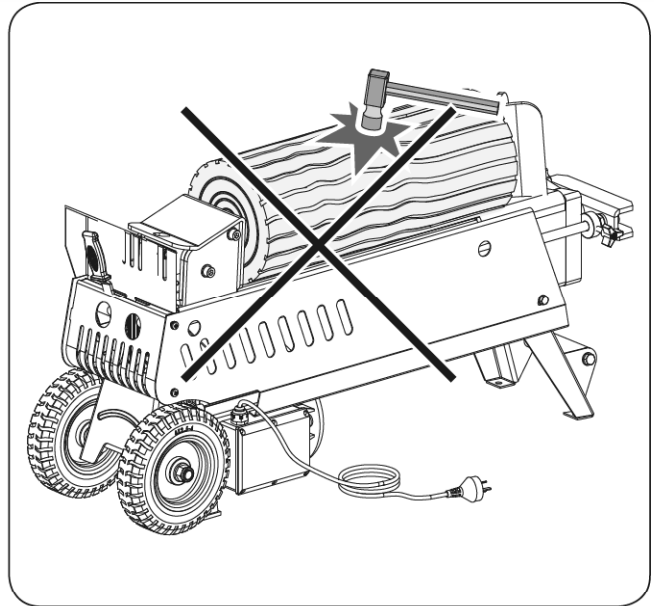
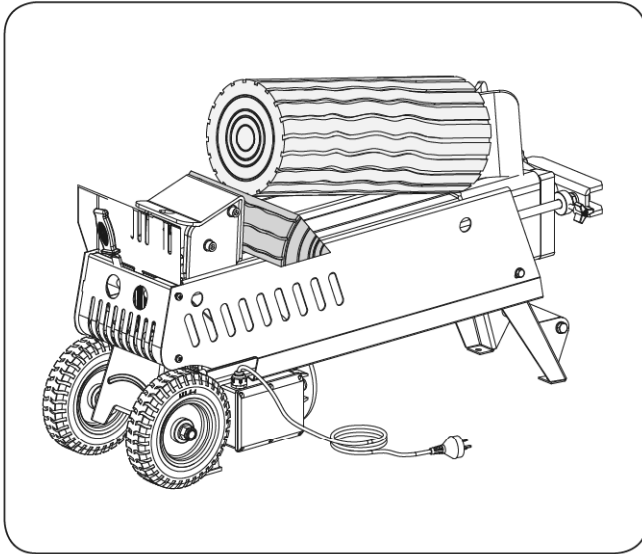
2. Loosen the handwheel on the return stop.
3. Slide the stop to the desired position, moving the stop toward the splitter to shorten the stroke.
4. Tighten the handwheel on the return stop to lock it into position.
5. Make sure your hands are clear of the ram, and release the control lever.

» The ram should return as far as the stop will allow.



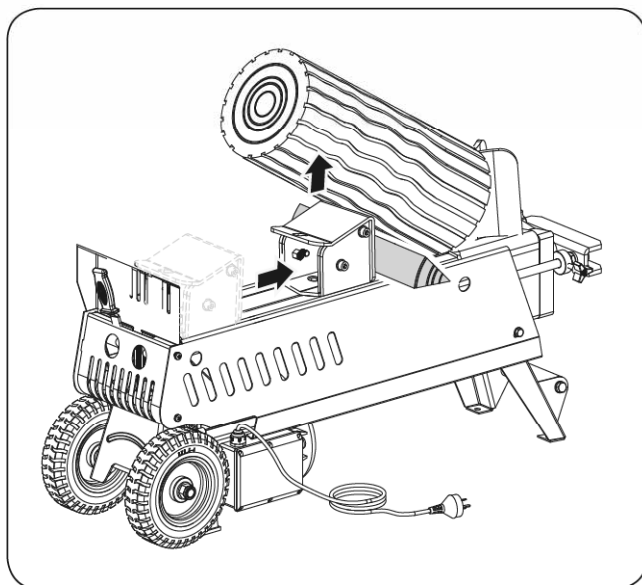
## FREEING A JAMMED LOG

- Release both controls.
- After the log ram moves back to its starting position and completely stops, insert a wood wedge under the jammed log.



*Never try to knock a jammed log off the splitter with your hand or another object. This could damage the tool or cause the log to fly up and hit someone.*

- Start the log splitter to push the wood wedge completely under the jammed log.



- Repeat above procedure with sharper-sloped wood wedge until the log is completely freed.

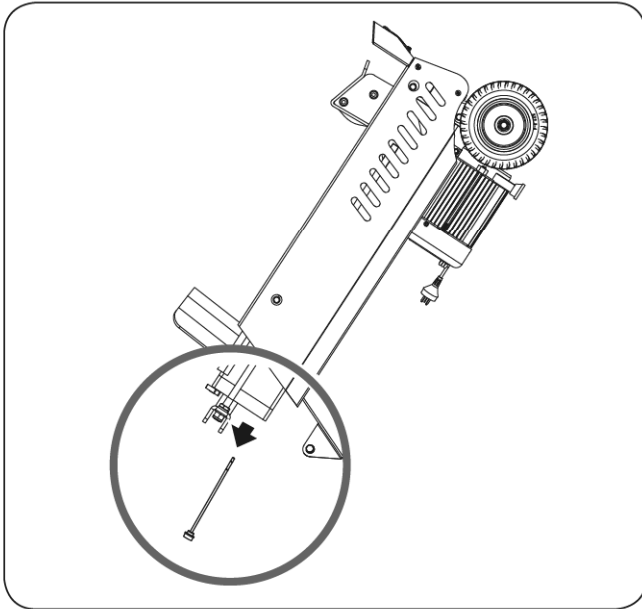
## REPLACING HYDRAULIC OIL



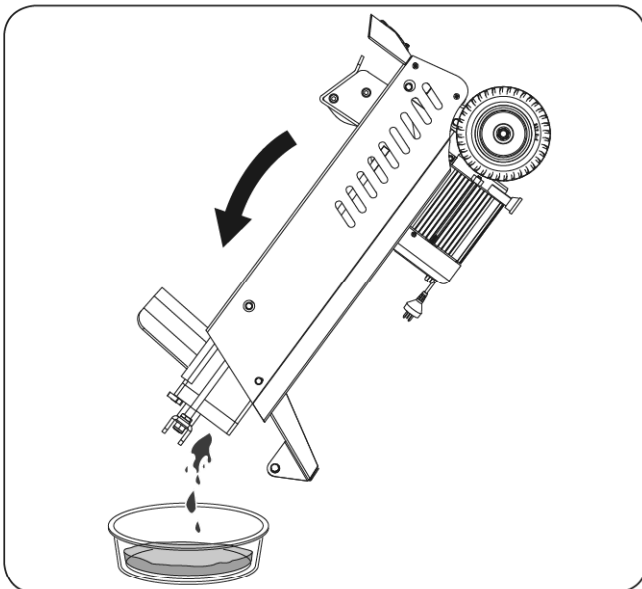
*Disassemble the log tray table before replacing the hydraulic oil.*

Replace the hydraulic oil in your YARDMAX log splitter after every 150 hours of use. Follow these steps to replace it:

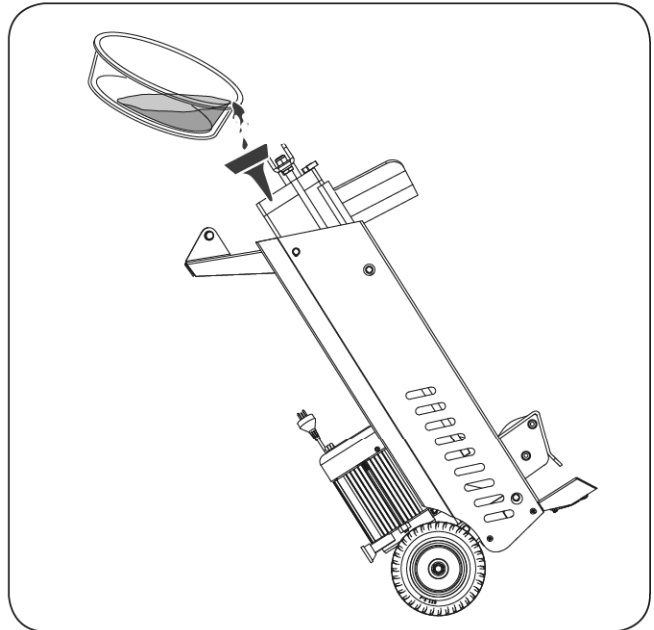
- Make sure all moving parts stop and the log splitter is unplugged.
- Unscrew the oil drain bolt with dipstick to remove it.



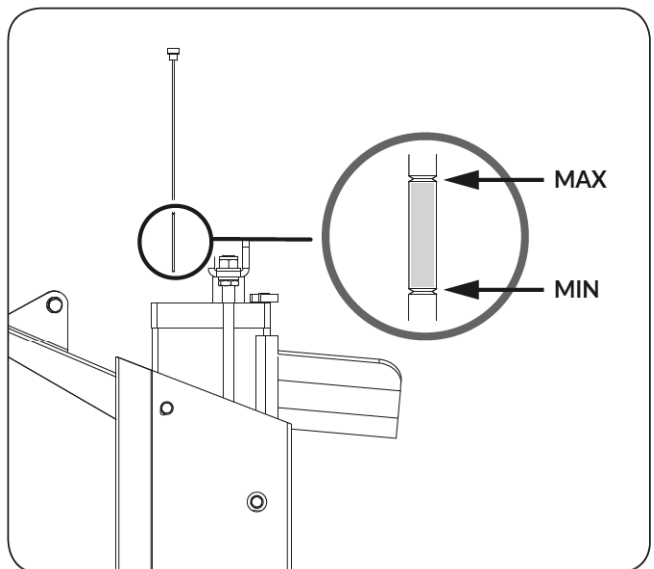
- Tip the log splitter so the motor end is higher than the oil drain plug, and drain oil over a 3-gallon container.



- Tip the log splitter so the oil drain plug is higher than the motor and refill with 1.72 gallon (7 qt) of fresh hydraulic oil.



- Clean the surface of the dipstick and put it back in the oil tank while keeping the log splitter vertical.
- Make sure the level of the refilled oil is between the two grooves on the dipstick.

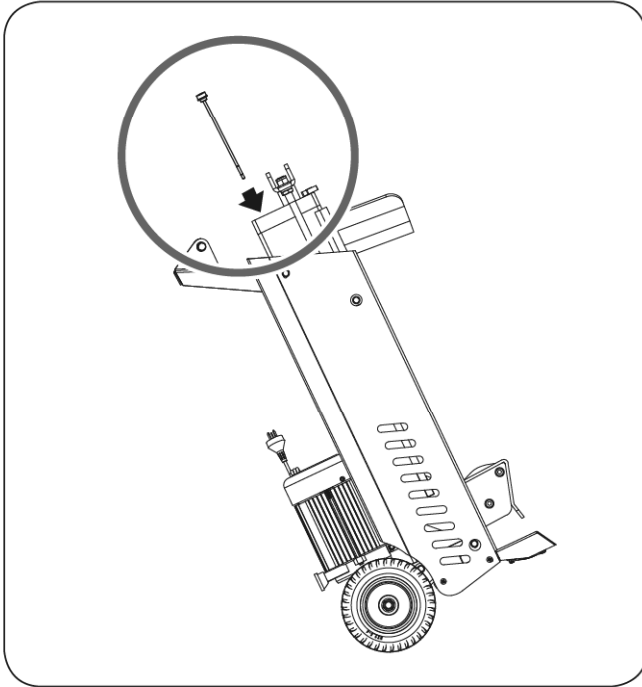


- Clean the oil drain bolt with dipstick before screwing it back in. Tighten it to avoid leakage before setting the log splitter down.

» Periodically check oil level to ensure it is between the two grooves on the dipstick. Refill with oil if it becomes low.

The following hydraulic oils or equivalents are recommended for your log splitter's hydraulic transmission system:

- 10W AW32
- ASLE H-150
- ISO 32



---

## SHARPENING THE WEDGE

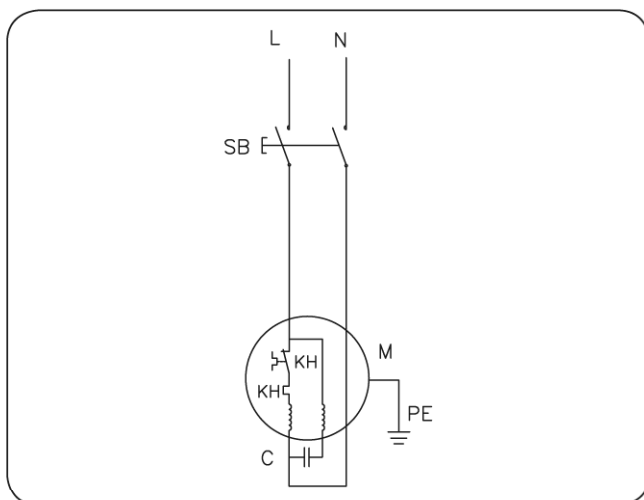
---

Over time your YARDMAX log splitter wedge will dull. If you notice decreased performance, we recommend sharpening the wedge using a fine-toothed file, smoothing any burrs or crushed areas along the cutting edge. For questions about sharpening the wedge, call us at 847-327-0566 or 844-YARDMAX.

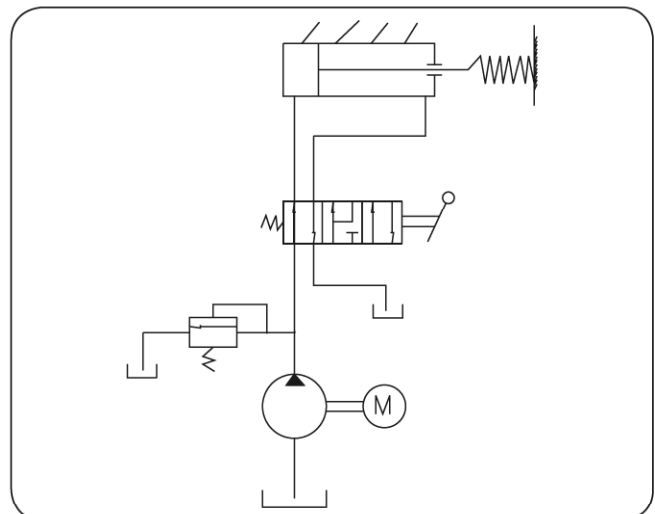
## TROUBLESHOOTING

Problem	Cause	Remedy
Fails to split logs	<ol style="list-style-type: none"> <li>1. Log is improperly positioned</li> <li>2. The sizes or hardness of the log exceeds the capacity of the machine</li> <li>3. Wedge cutting edge is dull</li> <li>4. Oil leaks</li> <li>5. Adjustment was made on max pressure limiting screw</li> </ol>	<ol style="list-style-type: none"> <li>1. Refer to LOADING A LOG section (p. 8) for proper log loading instructions</li> <li>2. Reduce the log sizes before splitting</li> <li>3. Refer to Sharpening the Wedge section to sharpen the cutting edge</li> <li>4. Locate leak(s) and contact YARDMAX</li> <li>5. Contact YARDMAX</li> </ol>
Log ram moves inconsistently, making unfamiliar noises or vibrations	Lack of hydraulic oil and excessive air in the hydraulic system	Check oil level for possible oil refilling Contact YARDMAX
Oil leaks around stroke limiter or from other points	<ol style="list-style-type: none"> <li>1. Air sealed in hydraulic system while operating</li> <li>2. Bleed screw is not tightened before moving the log splitter</li> <li>3. Oil drain bolt with dipstick is not tight</li> <li>4. Hydraulic control valve assembly and/or seal(s) worn</li> </ol>	<ol style="list-style-type: none"> <li>1. Loosen bleed screw by 3-4 rotations before operating the log splitter</li> <li>2. Tighten the bleed screw before moving the log splitter</li> <li>3. Tighten the oil drain bolt with dipstick</li> <li>4. Contact YARDMAX</li> </ol>
Ram moves slowly and stops prior to the end	Log splitter may not be level	Ensure the log splitter is on a level surface

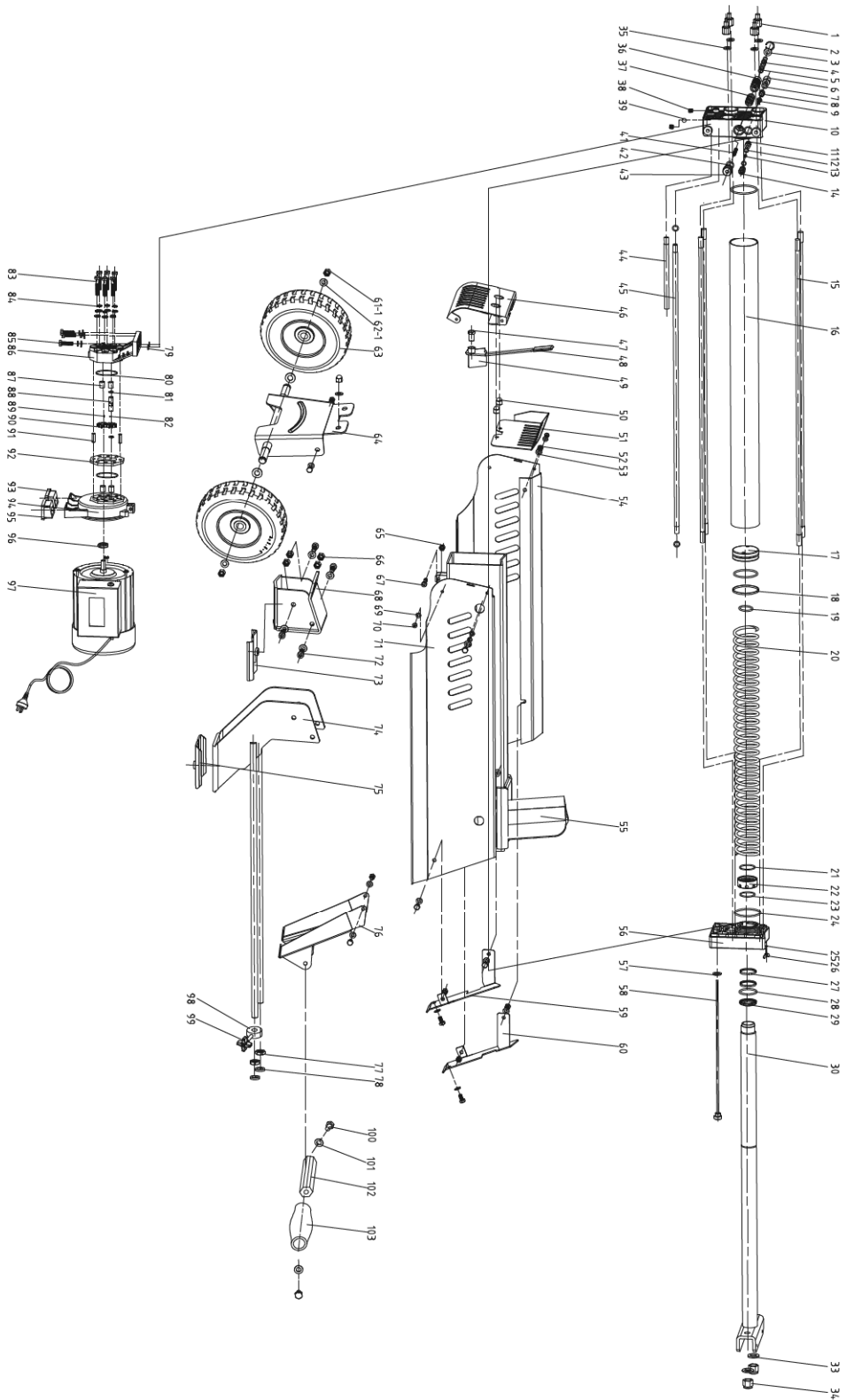
### WIRING DIAGRAM



### PLUMBING DIAGRAM



# PARTS DIAGRAM



## PARTS LIST

No.	Description	QTY.	No.	Description	QTY.
1	Nut	4	31	Discontinued	N/A
2	Snap Washer 22	1	32	Discontinued	N/A
3	Washer 10 x 2	1	33	Washer 16	2
4	Valve Rod	1	34	Nut M16	2
5	O-Ring 8.75 x 1.8	1	35	Copper Washer 12	4
6	Safety Valve Spring basis	1	36	Valve Rod	1
7	O-Ring 11.2 x 2.65	3	37	O-Ring 17 x 1.8	5
8	Safety Valve Spring	1	38	Screw M10 x 8	2
9	Safety Valve	1	39	Steel Ball 8.5	1
10	Cylinder Cover - Left	1	40	Discontinued	N/A
11	Safety Valve	1	41	Valve Rod Restoring Spring	1
12	O-Ring 10.6 x 1.8	2	42	O-Ring 16 x 2.65	1
13	Safety Valve Core Adjusting Spring	1	43	Valve Base	1
14	Adjusting Spring Basis	1	44	Intake Hose	1
15	Stud	4	45	Connection Hose	1
16	Cylinder	1	46	Cylinder Cover Guard	1
17	Piston	1	47	Lever Nut	1
18	Piston Ring 70	1	48	Lever Head	1
19	O-Ring 35.5 x 3.55	1	49	Lever	1
20	Restoring Spring	1	50	Carriage Nut M10	3
21	Circlip 40	1	51	Seperating Plate	1
22	Snap Washer	1	52	Bolt M8 x 16	12
23	O-ring 38.7 x 2.65	1	53	Washer	21
24	O-ring 64.4 x 3.1	2	54	Body Cover - Right	1
25	O-ring 7 x 1.9	1	55	Tube Frame	1
26	Bleed Screw M5 x 12	1	56	Cylinder Cover - Right	1
27	Wear-resisting Belt 127 x 4 x 2	1	57	Dipstick Washer 14	1
28	O-Ring 40	1	58	Dipstick	1
29	Piston Seal 40	1	59	Guard Cover - Right	1
30	Piston Rod Weldment	1	60	Guard Cover - Left	1

No.	Description	QTY.
61-1	Nut M14	2
62-1	Washer 14	2
63	Wheel	2
64	Wheel Shaft Frame	1
65	Nut M8	5
66	Nut M10	4
67	Hex. Bolt M8 x 35	1
68	Log Pusher	1
69	Washer 6	4
70	Cross Headed Screw M6 x 12	4
71	Body Cover - Left	1
72	Hex. Bolt M10 x 30	4
73	Plastic Insert - Upper	1
74	Log Pusher Connection Weldment	1
75	Plastic Insert - Lower	1
76	Support Leg	1
77	Thin Nut M16	2
78	Spring Washer 16	2
79	O-Ring 10.6 x 2.65	2
80	O-Ring 46.2 x 1.8	2
81	Gear Shaft Snap Washer 10	2
82	Steel Ball 2.5	1
83	Bolt 8.8 M8x55	6
84	Spring Washer 8	9
85	Bolt 8.8 M8 x 30	3
86	Pump Cover	1
87	Sleeve Bearing	4
88	Gear Shaft	1
89	Pin 2.5 x 4	1
90	Gear	2

No.	Description	QTY.
91	Pin 8 x 24	2
92	Gear Housing Plate	1
93	Motor Support Shoe - Right	1
94	Motor Cover	1
95	Motor Support Shoe - Left	1
96	Seal FB11 x 26 x 7	1
97	Motor Assembly	1
98	Stroker Limiter	1
99	Knob	1
100	Bolt M10x16	2
101	Washer 10	7
102	Handle	1
103	Handle cover	1









*Tame the Great Outdoors®*

