

eccostyle

By Casual Contemporary Living™

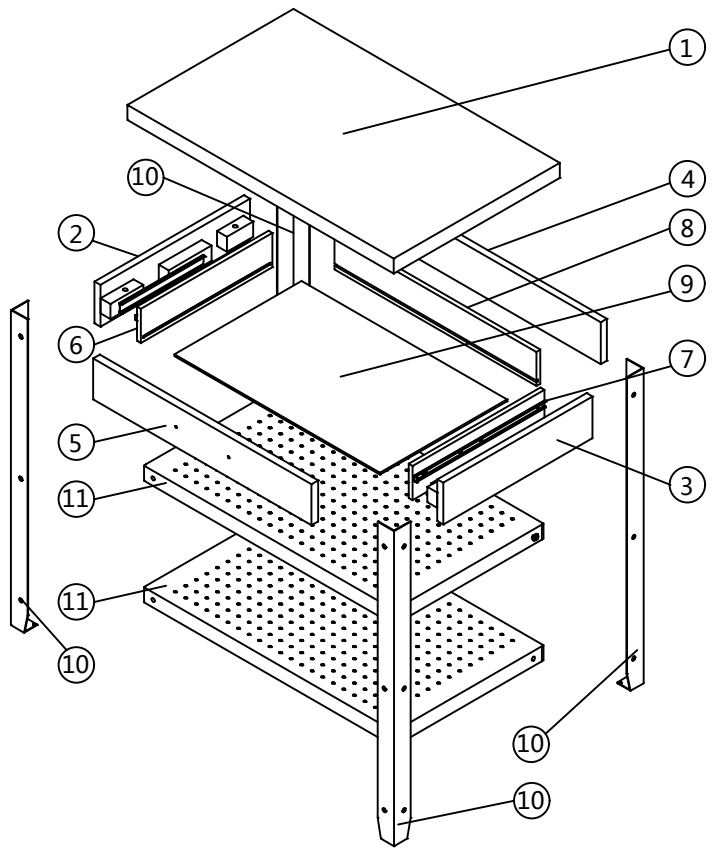
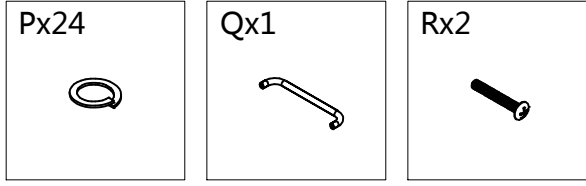
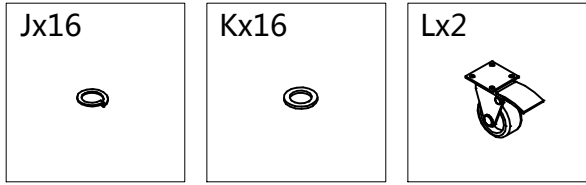
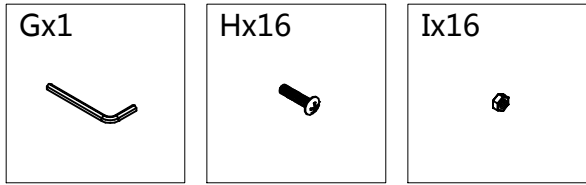
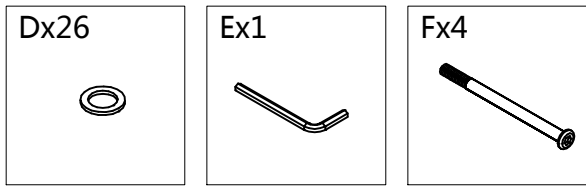
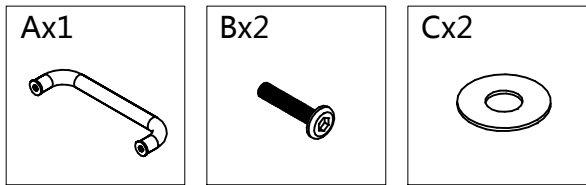
Assembly Instructions



SHOULD YOU HAVE ANY QUESTIONS REGARDING THE ASSEMBLY OR PARTS OF YOUR NEW ECCOSTYLE ITEM, PLEASE DO NOT RETURN TO THE STORE, INSTEAD CALL 1-360-883-6082 OR WRITE TO: CUSTOMERSERVICE@CASUALCONTEMPORARYLIVING.COM

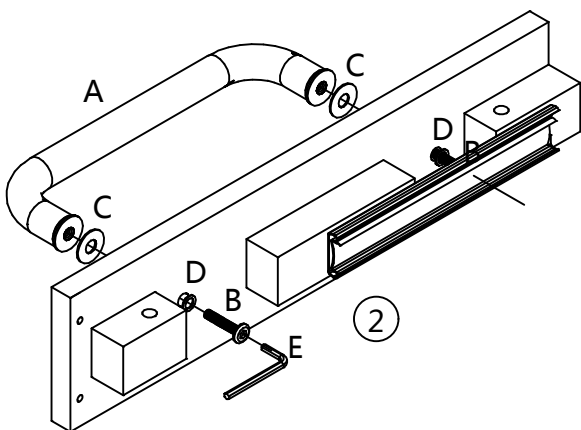
Why eccostyle bamboo?

- Renewable resource – Bamboo has the Fastest Growing Cycle of any furniture raw material – 5 years sprout to harvest.
- Bamboo also has superior structural strength as well as the lowest moisture expansion/contraction displacement of any furniture raw material 50% lower than Oak or Pine
- Environmentally desirable UV activated finish – virtually 100% of the finish is utilized without spray or runoff waste and it dries instantly when exposed to UV Light without heat.

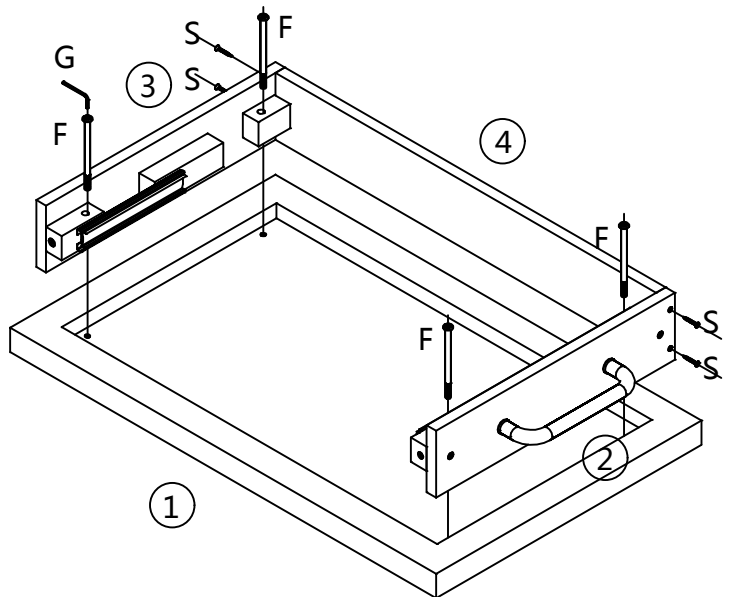


1

In step 1 you will attach the push bar handle. One of the Bolts B will have to insert behind the drawer slide, there is just enough room to insert it and please use the small allen wrench G to tighten the Bolt B with washers C & D into the push Bar A.



2

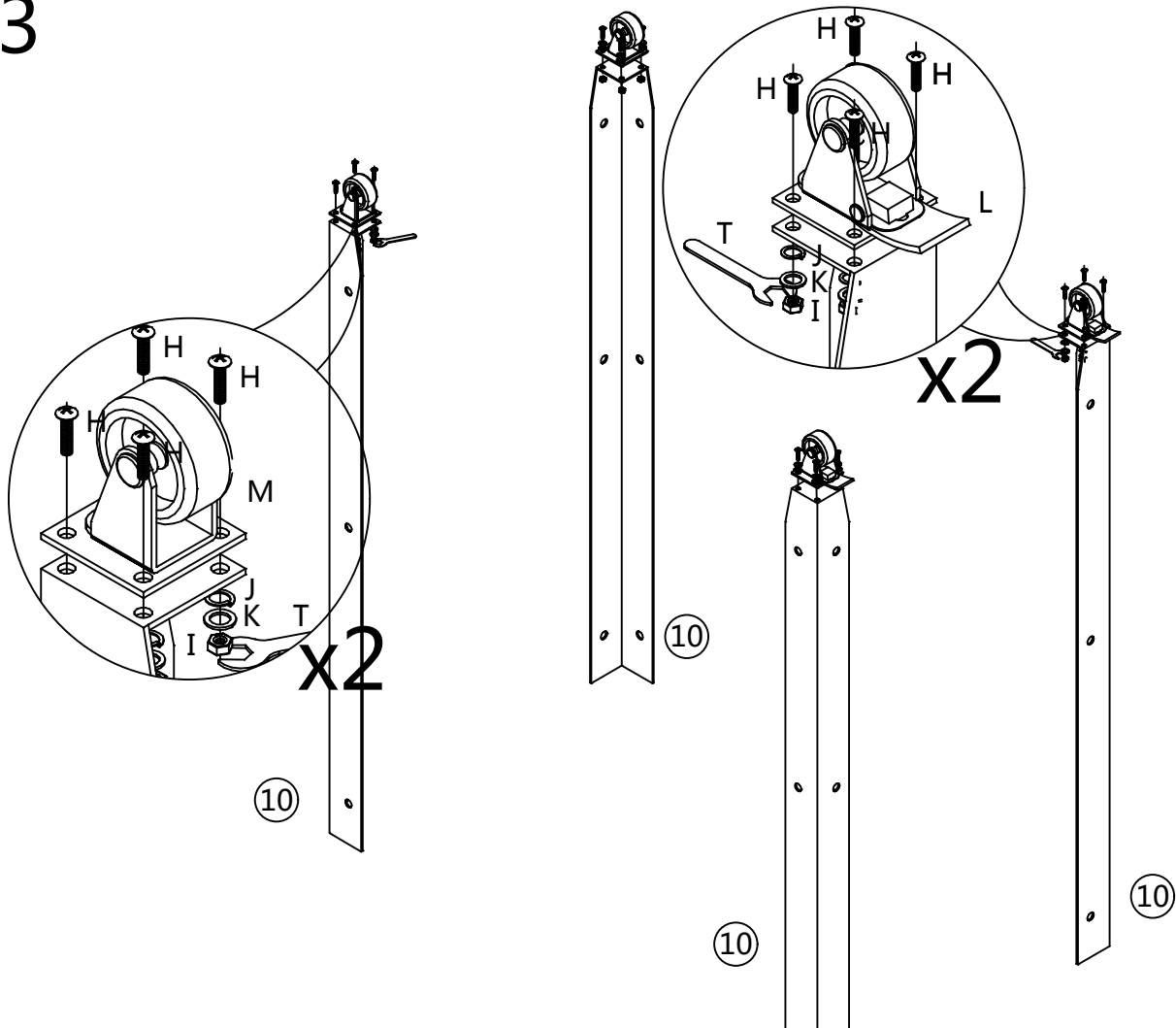


Questions? Call 1-360-883-6083

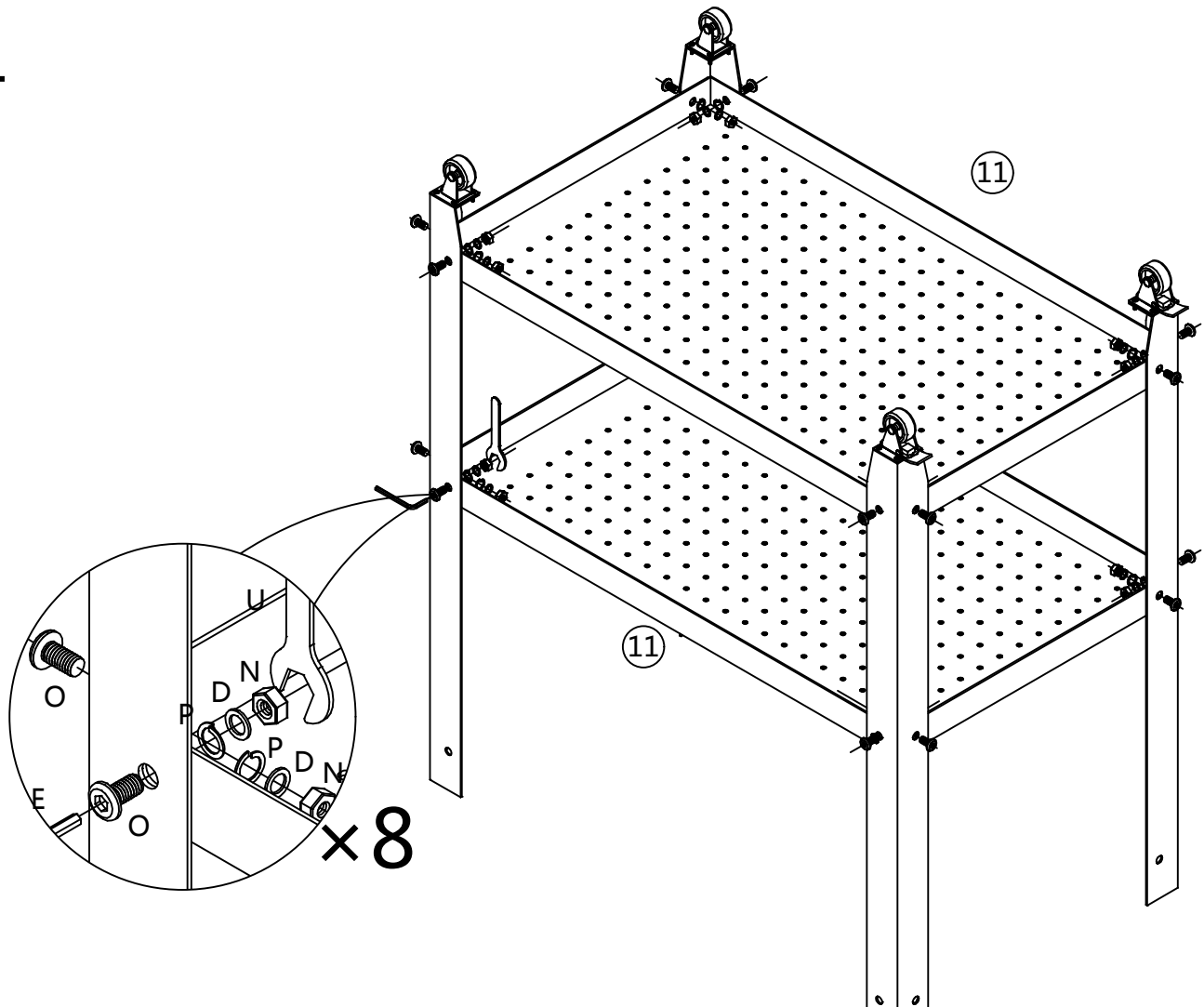
Or

E-Mail Customerservice@casualcontemporaryliving.com

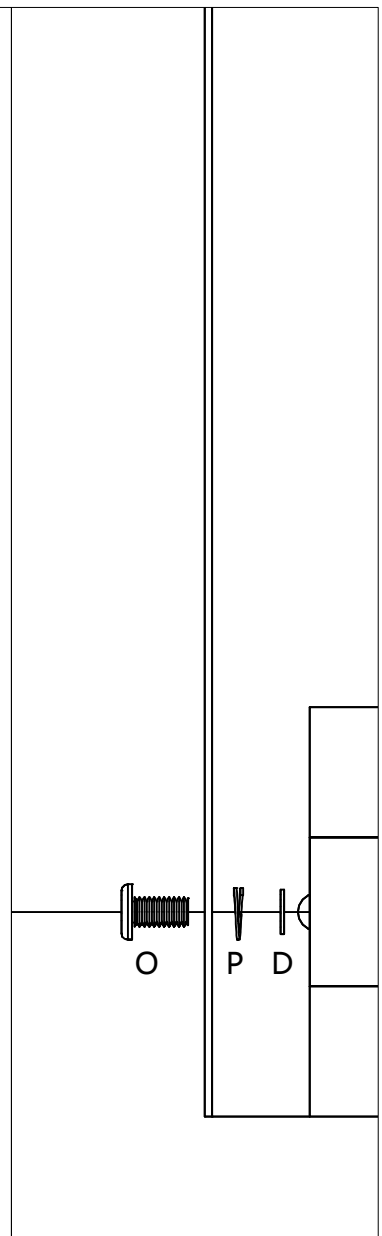
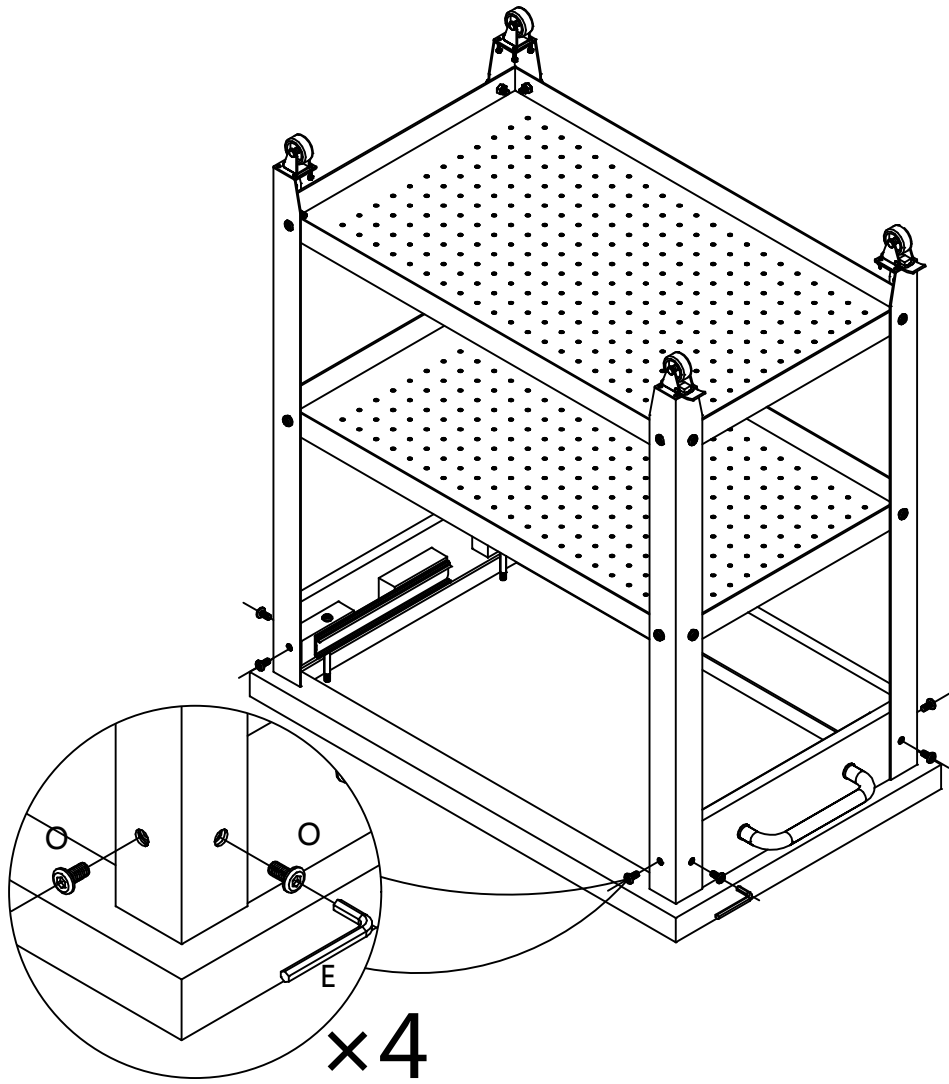
3



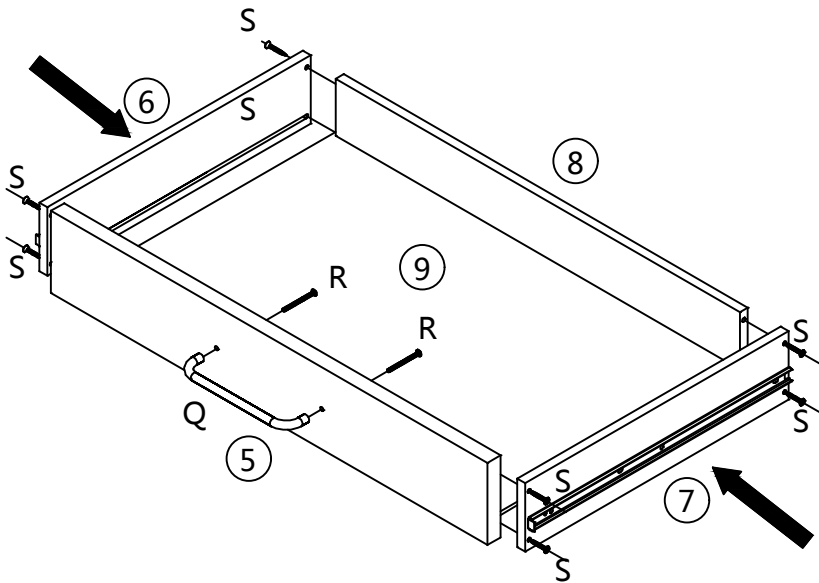
4



5



6



7

Before inserting the assembled drawer, please pull the drawer glides out as far as they will extend toward the front of the unit, then carefully align the drawer sides with the extended glides on each side and slowly insert.

