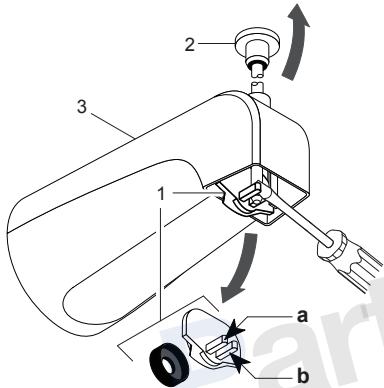


### Diverter Gate Repair Kit

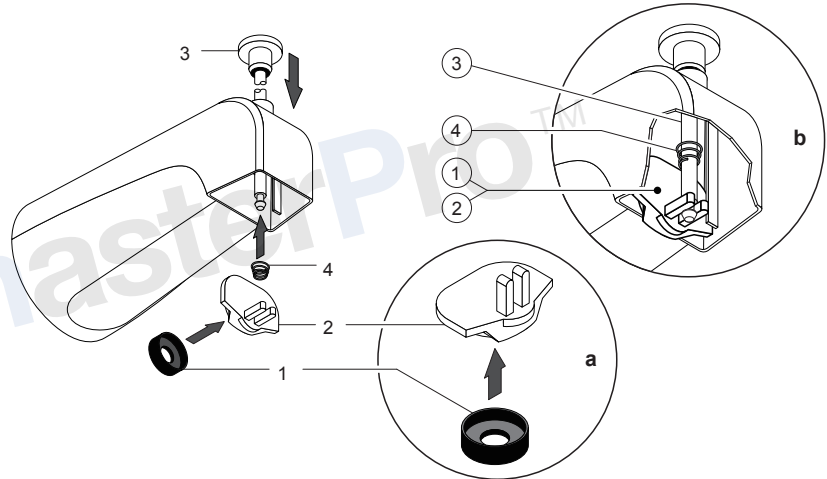
A



#### Remove Old Diverter Gate

1. Use a flat tip screw driver to wedge (a) and (b) apart.
2. Pull up on the rod (2) until it comes free, and remove the diverter and seal (1) from the spout (3) opening.

B



#### Install New Diverter Gate

1. Attach new seat (1) onto new diverter gate (2) as shown in figure (a).
2. Insert the new rod (3) from the top (make sure new seat is still around base of cap) and slide the spring (4) onto the rod (3) as shown in figure (b). Push down until the rod passes through the prongs and snaps in place.