

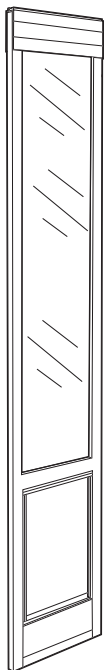


protect. teach. love.

Freedom™ Patio Panel Pet Door Panneau vitré Freedom™

Puerta para mascotas en Panel de patio Freedom™ Installation Guide / Manuel d'installation / Manual de instalación

Please read this entire guide before installing.
Veuillez lire tout ce manuel avant de commencer.
Por favor, lea completamente esta guía antes de comenzar.



Model Numbers / Numéros de modèles /
Números de modelo

PPA11-13098
PPA11-13121
PPA11-13122
PPA11-13123
PPA11-13124
PPA11-13125
PPA11-13127
PPA11-13128
PPA11-13129
PPA11-13130
PPA11-13131
PPA11-13132
PPA11-13134
PPA11-13135
PPA11-13141

Important Safety Information

Explanation of Attention Words and Symbols used in this guide



This is the safety alert symbol. It is used to alert you to potential personal injury hazards. Obey all safety messages that follow this symbol to avoid possible injury or death.

⚠ WARNING

WARNING indicates a hazardous situation which, if not avoided, could result in death or serious injury.

⚠ CAUTION

CAUTION, used with the safety alert symbol, indicates a hazardous situation which, if not avoided, could result in minor or moderate injury.

NOTICE

NOTICE is used to address safe use practices not related to personal injury.

⚠ WARNING

- When children are present in the home, it is important to consider the pet door during child proofing activities. The pet door may be misused by a child resulting in the child accessing potential hazards that may be on the other side of the pet door. Purchasers/Homeowners with swimming pools should ensure that the pet door is monitored at all times and that the swimming pool has adequate barriers to entry. If a new hazard is created inside or outside of your home, which may be accessed through the pet door, Radio Systems® Corporation recommends that you properly guard access to the hazard or remove the pet door. The closing panel or lock, if applicable, is provided for aesthetic and energy efficiency purposes and is not intended as a security device. Radio Systems® Corporation will not be liable for unintended use and the purchaser of this product accepts full responsibility for oversight of the opening it creates.
- Power Tools. Risk of severe injury; follow all safety instructions for your power tools. Be sure to always wear your safety goggles.

⚠ CAUTION

The user, prior to installation, must become familiar with all building codes that may affect the installation of the pet door and determine, along with a licensed contractor, its suitability in a given installation. This pet door is not a fire door. It is important for the owner and contractor to consider any risks that may be present inside or outside of the pet door, and any risks that may be created by subsequent changes to your property and how they may relate to the existence and use, including misuse of the pet door.

NOTICE

- Keep these instructions with important papers; be sure to transfer these instructions to the new owner of the property.
- Prior to installation and drilling, consult your sliding glass door manufacturer's warranty. Unauthorized changes or modifications may void the warranty. Installing screws into vinyl door frames or door jambs may crack the vinyl.

Thank you for choosing the PetSafe® brand. You and your pet deserve a companionship that includes memorable moments and a shared understanding together. Our products and training tools promote a lifestyle of protection, teaching, and love—essentials that influence memories for a lifetime. If you have any questions about our products or training your pet, please visit our website at www.petsafe.net or contact our Customer Care Center.

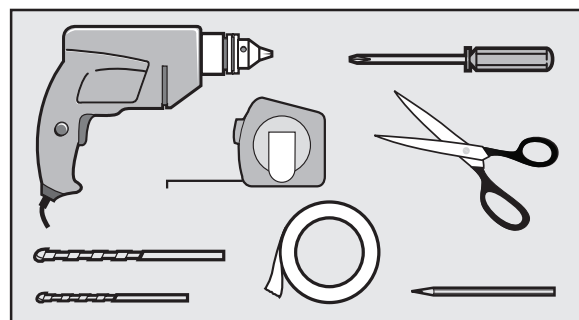
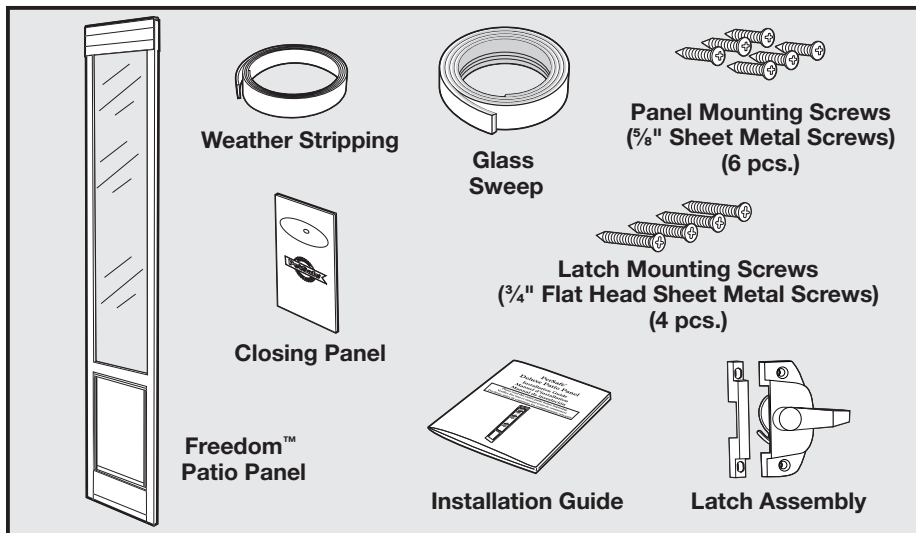
PRODUCT WARRANTY

To get the most protection out of your warranty, please register your product within 30 days at www.petsafe.net. By registering and keeping your receipt, you will enjoy the product's full warranty and should you ever need to call the Customer Care Center, we will be able to help you faster. Most importantly, PetSafe® will never give or sell your valuable information to anyone. Complete warranty information is available online at www.petsafe.net.

Table of Contents

Components.....	4
Tools Needed	4
Key Definitions	4
Operating Temperatures.....	5
INSTALLING FREEDOM™ PATIO PANEL PET DOOR	
Measure.....	5
Install Patio Panel.....	6
Attach Patio Panel.....	7
Install Lock	8
Install Glass Sweep and Weather Stripping	9
Train Your Pet	10
Closing Panel	11
Replacement Flaps.....	11
Replacement Parts and Accessories	12
Terms of Use and Limitations of Liability.....	12
Français.....	13
Español.....	24

Components



Tools Needed

- Electric Drill
- $\frac{9}{64}$ " (3.5 mm) Drill Bit
- $\frac{7}{64}$ " (2.5 mm) Drill bit
- Phillips Screwdriver
- Tape Measure
- Scissors
- Tape
- Pencil
- Safety Glasses

NOTE: The PetSafe® Freedom™ Patio Panel Pet Door can be installed in a recessed sliding glass door frame. Contact our Customer Care Center or visit www.petsafe.net to purchase a metal bracket kit, MPA00-12891, and installation instructions for a recessed frame installation.

Key Definitions

Replacement Flap Size- Overall flap size when removed from pet door

Flap Opening Size – Useable flap space for pet to enter and exit through the pet door

Top Door Section- Section of Patio Panel with the glass

Bottom Door Section - Section of Patio Panel with the pet door

Height Adjuster - A metal panel with springs located above the top door section to adjust Patio Panel height

Sliding Glass Door Frame Opening - Opening in sliding glass door between the upper door track and the lower door track

Exposed Sliding Glass Frame - Sliding glass door frame that is visible and exposed in interior and exterior wall

Recessed Sliding Glass Frame - Sliding glass door frame that is flush with or barely visible in interior or exterior wall

Rise - The height from the floor to the bottom of the flap in the pet door. It is the height the pet must step over to enter or exit the pet door.

Patio Panel Rib Line - Raised ribbed lines on left and right side of Patio Panel frame to indicate drilling outside of rib line area. Do not drill inside of the rib line as glass is present and will break if drilling occurs in this area.

Operating Temperature Range: 0° F to 100° F (-18° C to 38° C)

Installing Your Freedom™ Patio Panel

THE STEPS BELOW ARE FOR AN EXPOSED SLIDING GLASS FRAME INSTALLATION. IF INSTALLING THE PATIO PANEL INTO A RECESSED SLIDING GLASS DOOR FRAME, CONTACT OUR CUSTOMER CARE CENTER OR VISIT WWW.PETSAFE.NET FOR A METAL BRACKET KIT, MPA00-12891 AND INSTALLATION INSTRUCTIONS.

NOTICE

Prior to installation and drilling, consult your sliding glass door manufacturer's warranty. Unauthorized changes or modifications may void the warranty. Installing screws into vinyl door frames or door jambs may crack the vinyl.

Step Measure

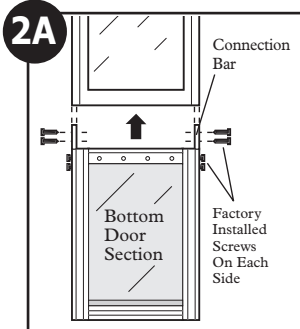
1



1 Prior to any Freedom™ Patio Panel Pet Door purchase, you must determine the height of your sliding glass door frame opening. Measure from highest point in upper door track to lowest point in lower door track.

Step 2 Install Patio Panel

2



2A NOTE: If you purchased a 96" Patio Panel, first assemble the bottom section to the top section before proceeding with the installation. Remove the four factory installed screws from sides of connection bars on bottom door section. Align and slide connection bars on bottom section into top section. Reinstall and tighten the four screws through the four pre-drilled holes on sides of top door section into the connection bars.

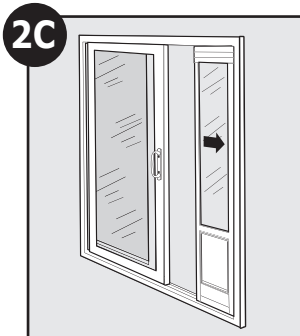
NOTE: Remove all packaging materials, including cardboard inserts inside the height adjuster.



2B The Freedom™ Patio Panel Pet Door inserts into the opening in your sliding glass door against the doorjamb. Your sliding glass door will close against the Patio Panel.

With sliding glass door open, insert top of Patio Panel with height adjuster into upper door track on interior side of sliding glass door. Lift up and position bottom of Patio Panel into lower door track on interior side of the sliding glass door. Ensure the side of the Patio Panel showing flap screw heads is on the interior side of your sliding glass door.

NOTE: You may need to pull down the height adjuster to fit the Patio Panel in your sliding glass door track. Firmly pull down one side and then the other.



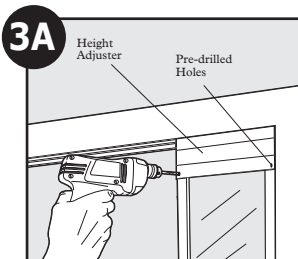
2C Move the Patio Panel against the doorjamb.



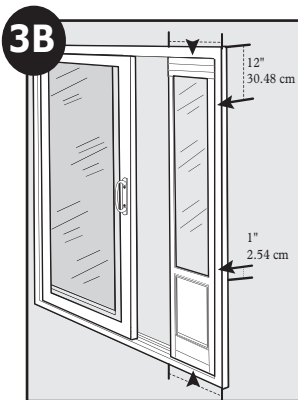
Fit Check The Patio Panel should fit flush against the doorjamb without any gaps. Make sure the height adjuster is fully extended and not tilted to one side. Ensure you are satisfied with the fit of the Patio Panel before drilling.

Step 3 Attach the Patio Panel

3



3A Slide the Patio Panel out slightly from door jamb to show pre-drilled holes in height adjuster. Drill $\frac{7}{64}$ " (2.5 mm) holes through the two pre-drilled holes on interior side of height adjuster. Secure height adjuster to Patio Panel using two $\frac{5}{8}$ " sheet metal screws. Slide Patio Panel back against door jamb. Make sure it is flush without any gaps.

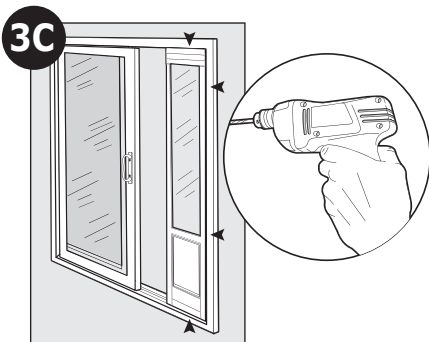


NOTE: If installing the Patio Panel into a recessed sliding glass door frame, contact our Customer Care Center or visit www.petsafe.net for a Metal Bracket Kit, MPA00-12891 and installation instructions.

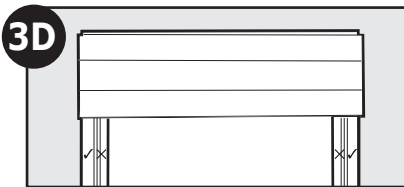
NOTICE

Prior to installation and drilling, consult your sliding glass door manufacturer's warranty. Unauthorized changes or modifications may void the warranty. Installing screws into vinyl door frames or door jambs may crack the vinyl.

door frame. Measure 12" from the top down the side of sliding glass door frame and mark. Measure 1" above the pet door in the Patio Panel and mark on the sliding glass door frame. Measure the center of the Patio Panel at the bottom and mark on the sliding glass door frame.

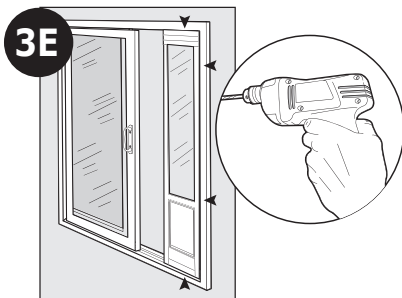


3C Drill $\frac{9}{64}$ " (3.5 mm) clearance holes through your sliding glass door frame ONLY at the locations you just marked. DO NOT DRILL INTO THE PATIO PANEL AT THIS TIME.

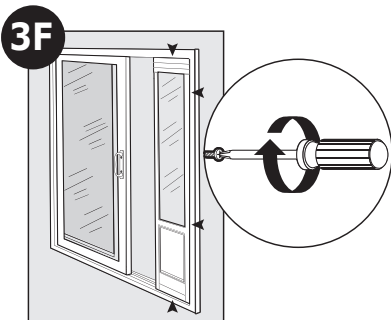


3D Before drilling into the Patio Panel, it is important not to drill inside the Patio Panel rib lines where the glass is located. Only drill into outer edge section. You may need to slide Patio panel over slightly to correct before drilling.

3E Drill $\frac{7}{64}$ " (2.5 mm) holes through the sliding glass door frame clearance holes into the Patio Panel.

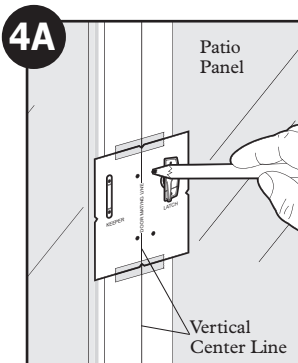


3E Fasten the Patio Panel to the interior side of sliding glass door frame using four $\frac{5}{8}$ " sheet metal screws. **DO NOT OVERTIGHTEN.**



Step 4 Install Lock

4



4A Close the sliding glass door tightly against the Patio Panel. Determine the location for the Latch at a convenient height for you from the floor. Using the template provided (located on the last page of the Installation Guide) align vertical center line on template with the door line between the sliding glass door and the

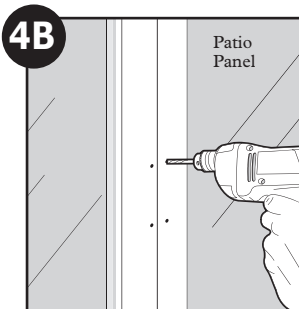
NOTICE

Prior to installation and drilling, consult your sliding glass door manufacturer's warranty. Unauthorized changes or modifications may void the warranty. Installing screws into vinyl door frames or door jambs may crack the vinyl.

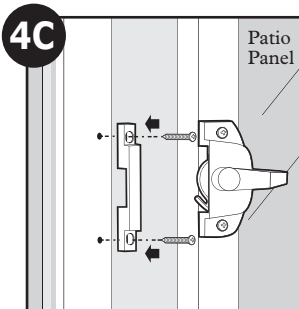
door line between the sliding glass door and the

Patio Panel. Keep the latch side of the template to the right. Tape template in place and mark locations for the mounting screws. Remove template.

NOTE: Inspect location of screw marks to make sure they will not be in contact with glass on either the sliding glass door or the Patio Panel when drilling. If needed, move the template over slightly and remark the screw holes.



4B Drill four $\frac{7}{64}$ " (2.5 mm) holes. **DO NOT** drill completely through the other side of the sliding glass door or Patio Panel.

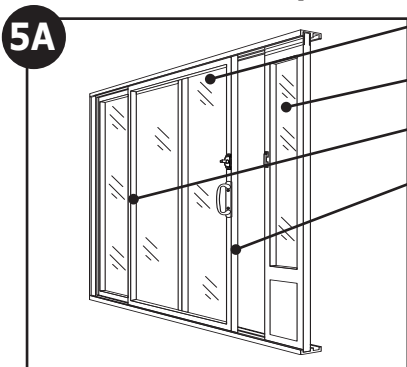


4C Secure the latch and keeper with four $\frac{3}{4}$ " flat head sheet metal screws. **DO NOT OVERTIGHTEN.**

Helpful Tip: If overtightening results and you have stripped the connection, move the latch slightly up or down and re-drill mounting holes. Another option is to drill existing holes to a larger size and install plastic anchors. Plastic anchors can be purchased at any local hardware or home improvement store.

Step 5 Install Glass Sweep and Weather Stripping

5



Patio door shown here slightly open

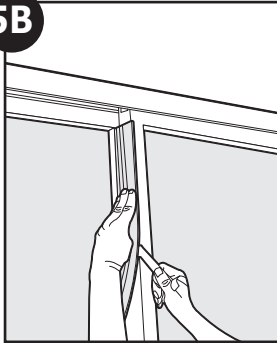
Freedom™ Patio Panel Pet Door

Install glass sweep here

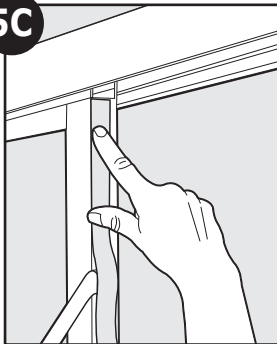
Install weather stripping here

5A The glass sweep should be installed on the back edge of the sliding glass door to form a seal between the sliding glass door and the stationary glass door. The weather stripping should be

installed on the front edge of the sliding glass door to form a seal between the Freedom™ Patio Panel and the sliding glass door.

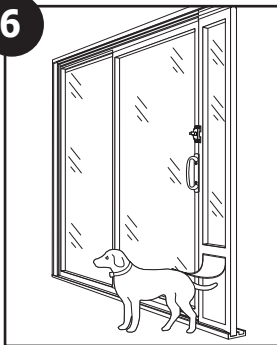
5B

5B Close the sliding glass door against the Patio Panel. Clean and dry the back edge of the sliding glass door. Position the glass sweep at the top glass edge with the flexible part touching the glass of the stationary door. Carefully peel away the backing and press the glass sweep in place as you move down to the bottom of the door. Trim any excess with scissors.

5C

5C Open the sliding glass door. Clean and dry the front edge of the sliding glass door. Position the weather stripping at the top front edge toward the interior side. Carefully peel away the backing and press the weather stripping into place as you move down to the bottom of the door. Trim any excess with scissors.

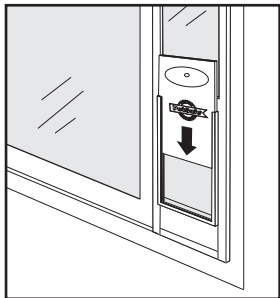
Step 6 Train Your Pet

6

6 It may help for you to be on one side of the door and your pet on the other. Lift the flap a few inches and try to talk your pet through the door. After your pet has gone through a few times, allow the flap to touch your pet's back so they will become comfortable using the pet door. If your pet will not go through the door, tape the flap open until they use it on their own.

Helpful Tip: Try treats to encourage your pet to go through the pet door and become comfortable using it.

Closing Panel

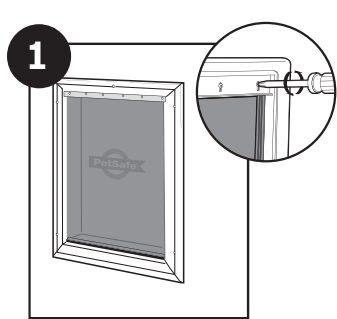


The Closing Panel slides in the track on the interior side of the Freedom™ Patio Panel Pet Door. It is useful during inclement weather or to keep your pet from using the pet door.

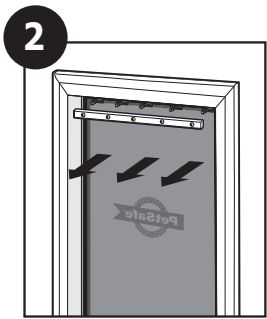
Replacement Flaps

Replace & Adjust

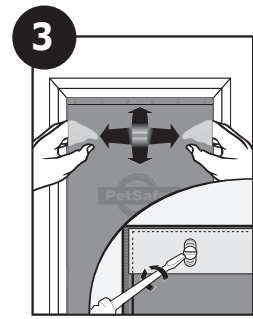
During extreme changes in weather, vinyl flaps can shrink during cold months and stretch in warmer months. Easily replace or adjust to ensure a snug fit during seasonal changes.

- 

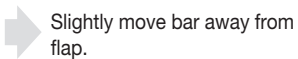
1

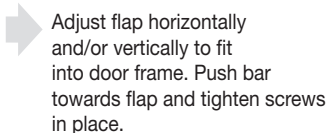
To Replace remove screws from the interior frame of pet door.
 - 

2

Remove bar and flap.
 - 

3

Replace new vinyl flap and position horizontally and vertically to fit into door frame. Replace existing bar and tighten screws in place.
- To Adjust slightly loosen screws from interior frame of pet door.
- 

Slightly move bar away from flap.
 - 

Adjust flap horizontally and/or vertically to fit into door frame. Push bar towards flap and tighten screws in place.

Replacement Parts and Accessories

To purchase replacement parts for your PetSafe® Freedom™ Patio Panel Pet Door, contact our Customer Care Center at 1-800-732-2677 or visit our website at www.petsafe.net.

Component	Replacement Part Number
Small Replacement Flap	PAC11-11037
Medium Replacement Flap	PAC11-11038
Large and Large-Tall Replacement Flap	PAC11-11039
Small Closing Panel	MPA00-12831
Medium Closing Panel	MPA00-12832
Large and Large-Tall Closing Panel	MPA00-12833
Satin Latch Lock Assembly	MPA00-12622
Bronze Latch Lock Assembly	MPA00-12621
White Latch Lock Assembly	MPA00-12620
Installation Hardware Kit	MPA00-11823
Metal Bracket Kit	MPA00-12891

Terms of Use and Limitation of Liability

1. Terms of Use

This Product is offered to you conditioned upon your acceptance without modification of the terms, conditions and notices contained herein. Usage of this Product implies acceptance of all such terms, conditions, and notices.

2. Proper Use

This Product is designed for use with pets where training is desired. The specific temperament of your pet may not work with this Product. If you are unsure whether this is appropriate for your pet, please consult your veterinarian or certified trainer. Proper use includes reviewing the entire Operating Guide provided with your Product and any specific Caution statements.

3. No Unlawful or Prohibited Use

This Product is designed for use with pets only. This pet training device is not intended to harm, injure, or provoke. Using this Product in a way that is not intended could result in violation of Federal, State or local laws.

4. Limitation of Liability

In no event shall Radio Systems® Corporation be liable for any direct, indirect, punitive, incidental, special or consequential damages, or any damages whatsoever arising out of or connected with the use or misuse of this Product. Buyer assumes all risks and liability from the use of this Product.

5. Modification of Terms and Conditions

Radio Systems Corporation reserves the right to change the terms, conditions and notices under which this Product is offered.

Français Renseignements importants sur la sécurité

Explication des termes et des symboles d'avertissement dans ce guide



Ce symbole indique un avertissement de sécurité. Il sert à vous signaler d'éventuels risques de blessure. Le non respect des consignes de sécurité accompagnées de ce symbole peut engendrer des blessures graves ou fatales.

⚠ AVERTISSEMENT AVERTISSEMENT indique une situation dangereuse qui, si elle n'est pas évitée, pourrait entraîner la mort ou des blessures graves.

⚠ ATTENTION ATTENTION, accompagné du symbole d'alerte de sécurité, indique une situation dangereuse qui, si elle n'est pas évitée, pourrait causer une blessure légère ou de gravité moyenne.

⚠ AVIS AVIS, indique les pratiques qui ne sont pas relatives aux blessures corporelles.

⚠ AVERTISSEMENT • Si vous avez de jeunes enfants à la maison, il est important d'être conscient des dangers que peut présenter la chatière. Un enfant pourrait essayer de se glisser par la chatière et pourrait ainsi s'exposer aux dangers se trouvant de l'autre côté de la porte. Si vous avez une piscine, assurez-vous de toujours surveiller la chatière et que la piscine soit entourée de barrières adéquates. Si vous effectuez une installation qui pourrait créer un nouveau danger à l'extérieur ou à l'intérieur de votre maison et que la chatière y donne accès, Radio Systems® Corporation vous recommande de bloquer l'accès à ce danger potentiel ou de retirer la chatière. Le battant à verrou et le bloc de verrou sont fournis dans un but esthétique et de conservation d'énergie; ce ne sont pas des dispositifs de sécurité. Radio Systems® Corporation ne saurait être tenue responsable d'une utilisation incorrecte du produit; la responsabilité de surveiller l'ouverture créée par ce dispositif revient entièrement à l'acheteur.

- Outils électriques. Risque de blessure grave; respectez toutes les consignes de sécurité fournies avec vos outils électriques. Assurez-vous de toujours porter des lunettes de protection.

⚠ ATTENTION Avant l'installation, l'utilisateur doit se familiariser avec les codes du bâtiment pertinents à l'installation de la chatière et déterminer, avec l'aide d'un professionnel dûment autorisé, si elle convient au bâtiment concerné. Cette chatière n'est pas une sortie d'urgence. Il est important que le propriétaire et le professionnel prennent en compte tous les risques qui pourraient être présents d'un côté ou de l'autre de la chatière, et tous les risques qui pourraient être créés suite à des modifications futures effectuées sur la propriété en vertu de l'existence et de l'utilisation (incorrecte) de la chatière.

⚠ AVIS

- Conservez ce mode d'emploi avec vos autres papiers importants, et assurez-vous de le mettre à la disposition de tout nouveau propriétaire.
- Avant l'installation et le perçage, consultez la garantie du fabricant de vos portes coulissantes. Certaines modifications non autorisées pourraient rendre nulle votre garantie. L'installation de vis dans des cadres en vinyle pourrait fendre le vinyle.

Merci d'avoir choisi la marque PetSafe®. Votre relation avec votre animal doit être faite de moments mémorables et d'une complicité mutuelle. Nos produits et nos outils de dressage favorisent la protection, le dressage et l'affection, des éléments essentiels pour garder des souvenirs pour la vie. Si vous avez des questions sur nos produits ou sur le dressage de votre chien, visitez notre site, www.petsafe.net ou communiquez avec notre Centre de service à la clientèle.

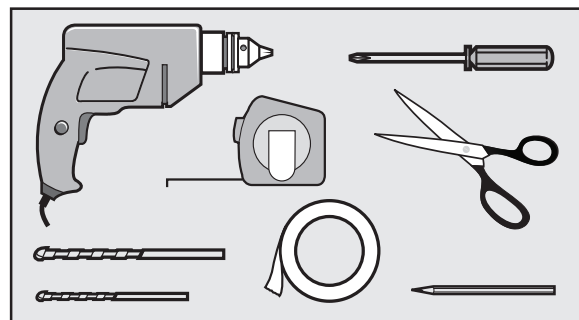
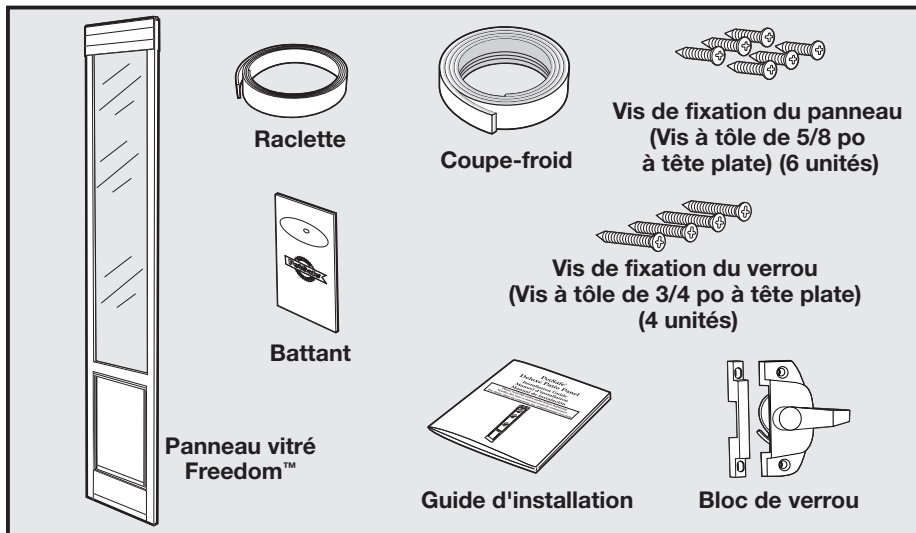
GARANTIE DU PRODUIT

Pour bénéficier pleinement de votre garantie, veuillez enregistrer votre produit dans un délai de 30 jours sur le site www.petsafe.net. Pour que le produit soit totalement couvert par notre garantie, enregistrez-le et conservez votre reçu; ceci permettra à notre service à la clientèle de vous aider plus rapidement. PetSafe® promet de ne jamais communiquer ou vendre vos renseignements personnels à des tiers. Pour obtenir tous les détails de votre garantie, visitez www.petsafe.net.

Table des matières

Pièces.....	15
Outils nécessaires	15
Termes clés	15
Température tolérée.....	16
INSTALLATION DU PANNEAU VITRÉ AVEC CHATIÈRE FREEDOM™	
Prise des dimensions.....	16
Installation du panneau.....	17
Fixation du panneau	18
Installation du verrou	19
Installation de la raclette et du coupe-froid.....	20
Apprenez à votre animal comment utiliser la chatière	21
Battant à verrou.....	22
Battants de rechange	22
Pièces et accessoires de rechange.....	23
Modalités d'utilisation et responsabilité limitée.....	23

Pièces



Outils nécessaires

- Perceuse électrique
- Mèche de 3.5 mm (9/64 po)
- Mèche de 2.5 mm (7/64 po)
- Tournevis cruciforme
- Mètre
- Ciseaux
- Ruban adhésif
- Crayon
- Lunettes de protection

REMARQUE : Le panneau vitré avec chatière PetSafe® Freedom™ peut être installé sur un cadre de porte coulissante encastré. Communiquez avec notre Centre de service à la clientèle ou visitez www.petsafe.net pour acheter un ensemble d'accessoires de fixation métalliques (MPA00-12891) et obtenir un guide d'installation si vous souhaitez installer le panneau sur ce type de cadre.

Termes clés

Taille du battant de rechange - Taille du battant lorsqu'il n'est pas fixé à la chatière

Taille de l'ouverture - Espace nécessaire pour que les animaux puissent entrer et sortir par la chatière

Section supérieure de la porte - Section vitrée de la porte

Section inférieure de la porte - Section de la porte comportant la chatière

Sélecteur de hauteur - Panneau en métal muni de ressorts placé au dessus de la section supérieure pour régler la hauteur du panneau vitrée

Ouverture du cadre de porte coulissante - Distance entre le rail supérieur et le rail inférieur du cadre de porte coulissante

Cadre de porte coulissante apparent - Cadre de porte coulissante visible de l'intérieur et de l'extérieur

Cadre de porte coulissante encastré - Cadre de porte coulissante qui longe un mur ou rentre dans un mur

Hauteur de la chatière - La hauteur entre le sol et l'extrémité inférieure du battant de la chatière. Il s'agit de la hauteur de l'obstacle que l'animal doit franchir pour entrer ou sortir par la chatière.

Nervure du panneau vitré - Les nervures de chaque côté du cadre du panneau vitré indiquent la zone dans laquelle il ne faut pas percer de trous. Ne percez pas de trous entre les nervures, car la vitre est située en dessous de cette zone et pourrait être endommagée par une perceuse.

Température tolérée : 0 °F à 100 °F (-18 °C à 38 °C)

Installation de votre panneau vitré Freedom™

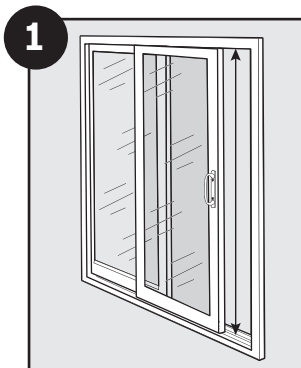
LES INSTRUCTIONS QUI SUIVENT SONT POUR UN CADRE DE PORTE COULISSANTE APPARENT. SI VOUS SOUHAITEZ INSTALLER LE PANNEAU SUR UN CADRE DE PORTE COULISSANTE ENCASTRÉ, COMMUNIQUEZ AVEC NOTRE CENTRE DE SERVICE À LA CLIENTÈLE OU VISITEZ WWW.PETSAFE.NET POUR OBTENIR UN ENSEMBLE D'ACCESSOIRES DE FIXATION MÉTALLIQUES (MPA00-12891) ET UN GUIDE D'INSTALLATION.

AVIS

Avant l'installation et le perçage, consultez la garantie du fabricant de vos portes coulissantes. Certaines modifications non autorisées pourraient rendre nulle votre garantie. L'installation de vis dans des cadres en vinyle pourrait fendre le vinyle.

Étape 1 Prise des dimensions

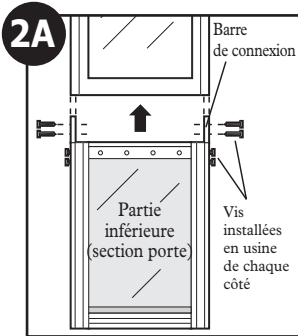
1



1 Avant d'acheter un panneau vitré avec chatière Freedom™, déterminez la hauteur du cadre de vos portes coulissantes. Mesurez du point le plus haut du rail supérieur au point le plus bas du rail inférieur.

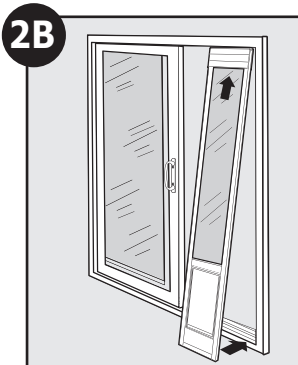
Étape Installation du panneau

2



2A REMARQUE : Si vous avez acheté un panneau vitré de 96 po, commencez par assembler la partie inférieure et la partie supérieure avant de poser le panneau. Retirez les quatre vis déjà présentes sur les barres de connexion de la section inférieure. Alignez les barres de connexion de la section inférieure et insérez-les dans la section supérieure. Revissez ensuite les quatre vis en les plaçant dans les trous prévus à cet effet sur les côtés de la section supérieure.

REMARQUE : Retirez tous les matériaux d'emballage, y compris les morceaux de carton dans le sélecteur de hauteur.



2B Le panneau vitré avec chatière Freedom™ s'insère dans l'espace entre la porte vitrée coulissante et le cadre de la porte. Votre porte coulissante se fermera ainsi contre le panneau vitré.

Ouvrez la porte vitrée coulissante et insérez la partie supérieure du panneau vitré équipé du sélecteur de hauteur dans le rail de guidage supérieur du côté intérieur de la porte coulissante. Soulevez et positionnez la partie inférieure du panneau vitré afin de l'insérer dans le rail de guidage inférieur du côté intérieur de la porte coulissante. Assurez-vous que les vis du battant soient du côté intérieur de la porte coulissante.

REMARQUE : Il peut être nécessaire d'abaisser le sélecteur de hauteur pour pouvoir insérer le panneau vitré dans le rail de guidage de votre porte vitrée coulissante. Pour le descendre, appuyez fermement d'un côté, puis de l'autre.



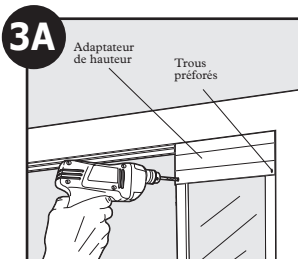
2C Poussez le panneau vitré contre le cadre de la porte.



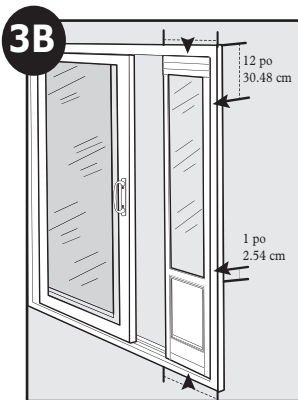
Check Le panneau vitré devrait être collé contre le cadre de la porte sans aucun espace. Assurez-vous que le sélecteur de hauteur soit bien sorti et qu'il ne soit pas oblique. Avant de percer des trous, assurez-vous que le panneau vitré soit installé correctement.

Étape Fixation du panneau

3



3A Faites glisser le panneau vitré afin de voir les trous préforés du sélecteur de hauteur. Percez des trous de 2.5 mm ($7/64$ po) dans le panneau en faisant passer la mèche de la perceuse dans les trous préforés du côté intérieur du sélecteur de hauteur. Vissez le sélecteur de hauteur à l'aide de deux vis à tête plate de 5/8 po. Faites glisser le panneau contre le cadre de porte. Assurez-vous qu'il soit collé contre le cadre sans aucun espace.



REMARQUE : Si vous souhaitez installer le panneau sur un cadre de porte coulissante encastré, communiquez avec notre Centre de service à la clientèle ou visitez www.petsafe.net pour obtenir un ensemble d'accessoires de fixation métalliques (MPA00-12891) et un guide d'installation.

AVIS

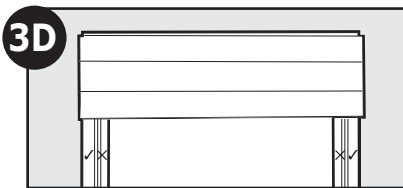
Avant l'installation et le perçage, consultez la garantie du fabricant de vos portes coulissantes. Certaines modifications non autorisées pourraient rendre nulle votre garantie. L'installation de vis dans des cadres en vinyle pourrait fendre le vinyle.

supérieure du cadre de la porte. Faites une marque à 12 po de l'extrémité supérieure du cadre de porte. Faites une autre marque à 1 po au dessus de la châtière sur le cadre de porte. Faites une marque sur la partie inférieure du cadre de porte au niveau du centre du panneau vitré.

3B Pour installer le panneau vitré dans un cadre de porte coulissante apparent, trouvez le centre du panneau vitré et faites une marque sur la partie

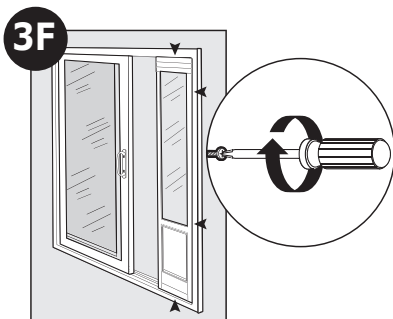
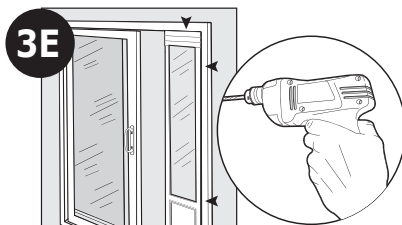


3C Percez des trous de 3.5 mm ($9/64$ po) dans le cadre de la porte **UNIQUEMENT** aux endroits marqués. **NE PERCEZ PAS DE TROUS DANS LE PANNEAU VITRÉ POUR L'INSTANT.**



3D Avant de percer des trous dans le panneau vitré, il faut faire attention de ne pas percer de trous à l'intérieur des nervures, qui indiquent où se trouve le verre. Ne percez des trous qu'à l'extérieur des nervures. Il se peut que vous deviez faire glisser légèrement le panneau avant de le percer.

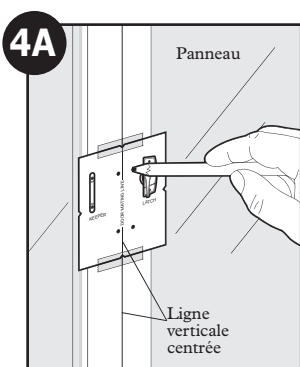
3E Percez des trous de 2.5 mm ($7/64$ po) dans le panneau vitré en faisant passer la mèche de la perceuse par les trous percés dans le cadre de porte.



3F Fixez le panneau au côté intérieur du cadre de porte en le vissant avec quatre vis à tête plate de $5/8$ po. **NE PAS SERRER TROP FORT.**

Étape Installation du verrou

4



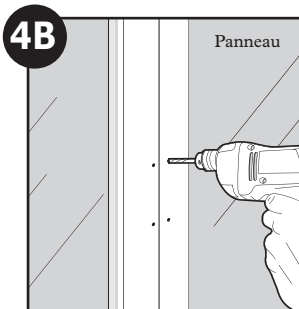
4A Fermez la porte coulissante contre le panneau vitré. Déterminez l'emplacement du verrou en choisissant la hauteur la plus pratique. Utilisez le gabarit fourni (que vous trouverez en dernière page du guide d'installation), et alignez la ligne de contact de la porte avec l'espace entre la porte coulissante et le panneau vitré. Gardez le côté loquet du gabarit à droite. Collez le gabarit à l'aide de ruban adhésif et faites des marques pour indiquer l'emplacement des vis. Retirez le gabarit.

AVIS

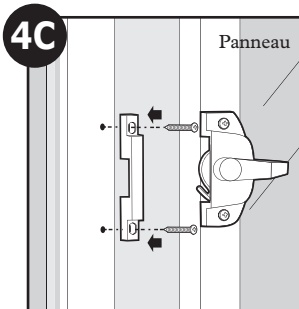
Avant l'installation et le perçage, consultez la garantie du fabricant de vos portes coulissantes. Certaines modifications non autorisées pourraient rendre nulle votre garantie. L'installation de vis dans des cadres en vinyle pourrait fendre le vinyle.

4A Fermez la porte coulissante contre le panneau vitré. Déterminez l'emplacement du verrou en choisissant la hauteur la plus pratique. Utilisez le gabarit fourni (que vous trouverez en dernière page du guide d'installation), et alignez la ligne de contact de la porte avec l'espace entre la porte

REMARQUE : Vérifiez l'emplacement des marques afin de vous assurer qu'elles ne nécessitent pas de percer des trous dans le verre, aussi bien sur la porte coulissante que sur le panneau. Si nécessaire, déplacez légèrement le gabarit et faites de nouvelles marques.



4B Percez quatre trous de 2.5 mm ($7/64$ po). NE PERCEZ PAS complètement au travers de la porte coulissante ou du panneau vitré.

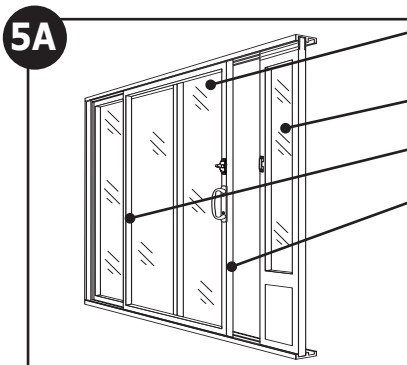


4C Vissez le loquet et le mentonnet à l'aide de quatre vis à tôle à tête plate de $3/4$ po. NE PAS SERRER TROP FORT.

Conseil utile : Si une vis a été trop serrée et qu'elle ne tient plus en place, déplacez légèrement le verrou et percez de nouveaux trous. Vous pouvez également percer des trous plus gros au même endroit et installer des chevilles en plastique. Vous trouverez ce type de cheville dans la plupart des quincailleries et des magasins de bricolage.

Étape 5 Installation de la raclette et du coupe-froid

5



La porte vitrée est illustrée ici, légèrement ouverte

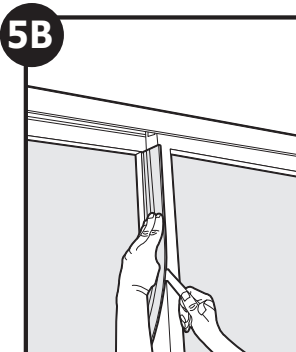
Panneau vitré avec châtière Freedom™

Installez la raclette ici

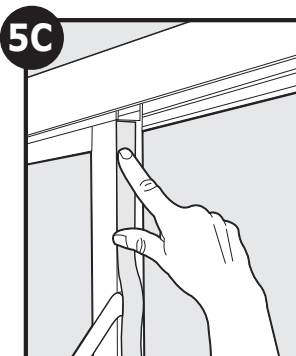
Installez le coupe-froid ici

5A La raclette doit être installée sur le bord arrière de la porte vitrée coulissante afin de former un joint entre la porte coulissante et la porte fixe. Le

coupe-froid doit être installé à l'avant de la porte vitrée coulissante afin de former un joint entre le panneau vitré Freedom™ et la porte coulissante.



5B Fermez la porte coulissante contre le panneau vitré. Nettoyez et séchez le bord arrière de la porte vitrée coulissante. Placez la raclette sur la partie supérieure de la porte, en veillant à ce que la partie flexible touche le verre de la porte fixe. Retirez soigneusement la pellicule protectrice et appuyez sur la raclette tout en descendant le long de la porte, afin de la fixer correctement. Coupez l'excédent à l'aide de ciseaux.



5C Ouvrez la porte vitrée coulissante. Nettoyez et séchez le bord avant de la porte vitrée coulissante. Placez le coupe-froid sur la partie supérieure de la porte proche de la face intérieure. Retirez soigneusement la pellicule protectrice et appuyez sur le coupe-froid tout en descendant le long de la porte, afin de le fixer correctement. Coupez l'excédent à l'aide de ciseaux.

Étape 6 Apprenez à votre animal comment utiliser la chatière

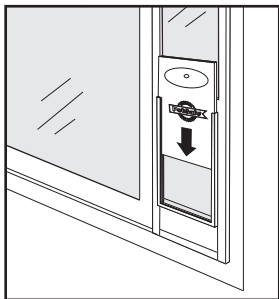
6



6 Pour faciliter l'apprentissage, placez-vous de l'autre côté de la porte. Soulevez le battant légèrement et appelez votre animal. Une fois que votre animal aura franchi la porte quelques fois, laissez le battant retomber doucement sur son dos afin qu'il se familiarise avec la sensation. Si votre animal refuse de passer par la chatière, maintenez-la ouverte avec du ruban adhésif jusqu'à ce qu'il l'utilise par lui-même.

Conseil utile : Utilisez des gâteries pour encourager votre animal à passer par la chatière et à se familiariser avec son fonctionnement.

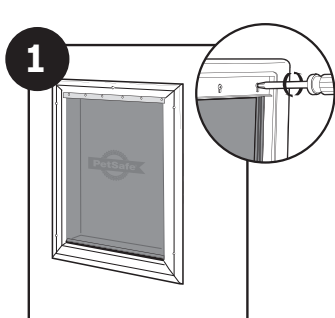
Battant à verrou



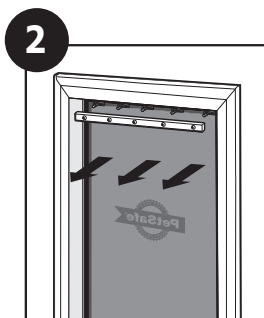
Le battant à verrou se glisse dans les encoches du côté intérieur du panneau vitré avec chatière Freedom™. Il peut être utile en cas de tempête ou si vous souhaitez empêcher les animaux de passer.

Battants de recharge Remplacement et *ajustement*

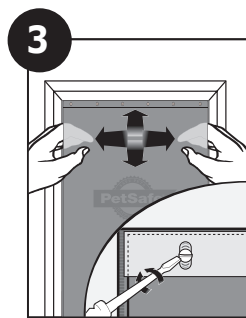
En cas de changement de température, le battant en vinyle peut rétrécir pendant les périodes plus froides et s'étirer pendant les périodes plus chaudes. Il est très facile de le changer ou de l'ajuster au besoin.



1 Pour changer le battant, retirez les vis du côté intérieur de la chatière.



2 Retirez la barre et le battant.



3 Posez le nouveau battant en vinyle et alignez-le horizontalement et verticalement au cadre de la chatière. Remettez la barre et serrez les vis.

Pour ajuster, désérrez légèrement les vis du côté intérieur de la chatière.

→ Séparez la barre du battant.

→ Alignez le battant horizontalement et verticalement au cadre de la chatière. Remettez la barre en place et serrez les vis.

Pièces et accessoires de rechange

Pour acheter des pièces de rechange pour votre panneau vitré avec chatière PetSafe® Freedom™, communiquez avec notre Centre de service à la clientèle au 1-800-732-2677 ou visitez notre site Web, www.petsafe.net.

Pièce	N° de pièce de rechange
Petit battant de rechange	PAC11-11037
Battant de rechange moyen	PAC11-11038
Battant de rechange grand et grand-haut	PAC11-11039
Petit battant à verrou	MPA00-12831
Battant à verrou moyen	MPA00-12832
Battant à verrou grand et grand-haut	MPA00-12833
Verrou satin	MPA00-12622
Verrou bronze	MPA00-12621
Verrou blanc	MPA00-12620
Ensemble d'outils d'installation	MPA00-11823
Ensemble d'accessoires de fixation métalliques	MPA00-12891

Conditions d'utilisation et limitation de responsabilité

1. Conditions d'utilisation

Ce produit vous est offert conditionnel à votre accord sans qu'aucune modification ne soit apportée aux termes, conditions et avis contenus aux présentes. Le fait d'utilisation de ce produit signifie votre accord à ces termes, conditions et avis.

2. Utilisation adéquate

Ce produit est conçu pour être utilisé avec des animaux où un entraînement est nécessaire. Le tempérament particulier de votre animal peut ne pas convenir à ce produit. Si vous n'êtes pas convaincu que cela convienne à votre animal, veuillez consulter votre vétérinaire ou un entraîneur accrédité. Une utilisation appropriée comprend la révision complète du Mode d'emploi fourni avec votre produit ainsi que les clauses d'avertissement spécifiques.

3. Utilisation illicite ou interdite

Ce produit est conçu pour être utilisé avec des animaux seulement. Cet appareil de formation pour animaux n'est pas conçu pour porter préjudice, blesser ou provoquer. L'utilisation de ce produit d'une façon autre que celle pour laquelle il a été conçu pourrait résulter en la violation de lois fédérale, provinciale ou régionale.

4. Limitation de responsabilité

En aucune circonstance Radio Systems® Corporation ne peut être tenu responsable de dommages directs, indirects, punitifs, accessoires, spéciaux ou consécutifs, ou tout autre dommage quel qu'ils soient survenant ou relié à l'utilisation ou au mésusage de ce produit. L'acheteur assume tous les risques et toutes les responsabilités reliées à l'utilisation de ce produit.

5. Modification de ces termes et conditions

Radio Systems Corporation se réserve le droit de modifier ces termes, conditions et avis sous lesquels ce produit est offert.

Español Instrucciones de seguridad

Explicación de las advertencias y símbolos de atención utilizados en esta guía



Este es el símbolo de alerta de seguridad. Se utiliza para alertarle sobre riesgos de lesiones personales potenciales. Siga todos los mensajes de seguridad que aparecen a continuación de este símbolo para evitar posibles daños o la muerte.

ADVERTENCIA

ADVERTENCIA indica una situación peligrosa que, si no se evita, podría provocar la muerte o lesiones graves.

PRECAUCIÓN

PRECAUCIÓN, utilizada con el símbolo de alerta de seguridad, indica una situación peligrosa que, si no se evita podría provocar lesiones menores o moderadas.

AVISO

AVISO se utiliza para referirse a prácticas de uso seguro no relacionadas con las lesiones personales.

ADVERTENCIA

- Cuando hay niños en la casa, es importante tener en cuenta la puerta para mascotas en cuanto a las medidas de seguridad para niños. Los niños pueden usar la puerta para mascotas y acceder a potenciales peligros que se puedan encontrar del otro lado de la puerta para mascotas. Los compradores o propietarios que tengan pileta de natación se deben asegurar de que la puerta para mascotas esté controlada en todo momento y que la pileta de natación tenga barreras adecuadas para entrar. Si se genera un nuevo peligro dentro o fuera de su casa, al que se pueda acceder mediante la puerta para mascotas, Radio Systems® Corporation le recomienda que resguarde adecuadamente el acceso al peligro o que retire la puerta para mascotas. El panel de cierre o el seguro, si corresponde, se proveen para objetivos estéticos y de eficacia de energía, y su fin no es ser un dispositivo de seguridad. Radio Systems® Corporation no será responsable por el uso involuntario, y el comprador de este producto acepta la total responsabilidad de la supervisión de la apertura que genera.
- Herramientas mecánicas. Riesgo de lesión grave; siga todas las instrucciones de seguridad para sus herramientas mecánicas. Siempre asegúrese de usar sus gafas de seguridad.

PRECAUCIÓN

Antes de la instalación, el usuario se debe familiarizar con todos los códigos de construcción que puedan afectar la instalación de la puerta para mascotas y determinar, junto con un contratista registrado, su aptitud en determinada instalación. Esta puerta para mascotas no es una puerta de incendios. Es importante que el propietario y el contratista consideren todo riesgo que se pueda presentar dentro o fuera de la puerta para mascotas, y todo riesgo que se pueda generar por los cambios subsiguientes a su propiedad y cómo se pueden relacionar con la existencia y el uso, incluyendo el uso indebido, de la puerta para mascotas.

AVISO

- Guarde estas instrucciones con otros papeles importantes; asegúrese de entregarle estas indicaciones al nuevo propietario de la propiedad.
- Antes de la instalación y perforación, consulte la garantía del fabricante de su puerta de vidrio corredera. Los cambios o modificaciones no autorizados pueden anular la garantía. La instalación de tornillos en marcos o jambas de vinilo para puertas puede romper el vinilo.

Gracias por elegir la marca PetSafe®. Usted y su mascota se merecen disfrutar de una relación repleta de momentos memorables y de comprensión mutua. Nuestros productos y dispositivos de adiestramiento fomentan la protección, la enseñanza y el cariño; elementos esenciales de una relación que le dejará inolvidables recuerdos. Si tiene alguna pregunta sobre nuestros productos o sobre el adiestramiento de su mascota, visite nuestro sitio web, www.petsafe.net o contacte con nuestro Centro de Atención al Cliente.

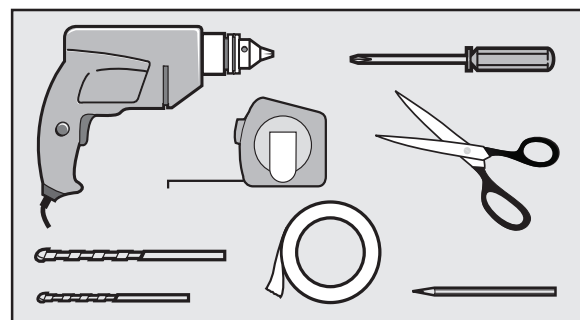
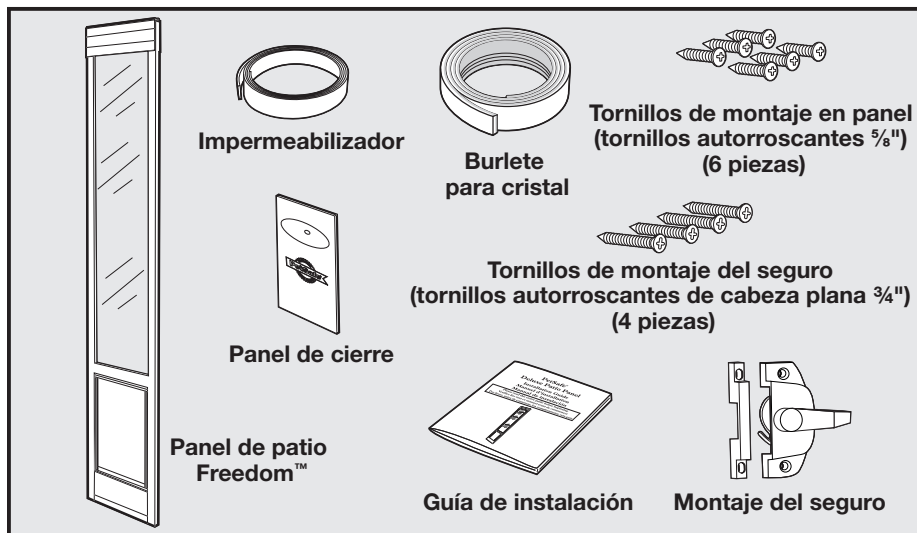
GARANTÍA DEL PRODUCTO

Para aprovechar toda la protección de su garantía, registre su producto dentro de los 30 días posteriores a la compra en www.petsafe.net. Con el registro y conservando su recibo de compra, disfrutará de la garantía total del producto y, si tuviera necesidad de contactar con el Centro de Atención al Cliente, podremos ayudarle con mayor rapidez. Y lo que es más importante, PetSafe® nunca dará ni venderá su valiosa información a nadie. La información completa sobre la garantía está disponible en línea en www.petsafe.net.

Índice

Componentes.....	26
Herramientas necesarias.....	26
Definiciones clave.....	26
Temperaturas de funcionamiento.....	27
INSTALACIÓN DE LA PUERTA PARA MASCOTAS EN PANEL DE PATIO FREEDOM™	
Medir.....	27
Instalar el panel de patio.....	28
Fijar el panel de patio.....	29
Instalar la traba.....	30
Instalar el burlete para cristal y el impermeabilizador.....	31
Entrenar a su mascota.....	32
Panel de cierre.....	33
Puertas vaivén de reemplazo.....	33
Partes y accesorios de reemplazo.....	34
Términos de uso y limitaciones de responsabilidad.....	34

Componentes



Herramientas necesarias

- Taladradora eléctrica
- Pieza de taladradora 9/64" (3.5 mm)
- Pieza de taladradora 7/64" (2.5 mm)
- Destornillador Phillips
- Cinta métrica
- Tijeras
- Cinta
- Lapicero
- Gafas de seguridad

NOTA: La puerta para mascotas del panel de patio PetSafe® Freedom™ se puede instalar en marcos embutidos de puertas de vidrio corredizas. Comuníquese con nuestro Centro de atención al cliente o visite www.petsafe.net para adquirir un kit de soportes metálicos, MPA00-12891, y las instrucciones de instalación para la instalación en marco embutido.

Definiciones clave

Tamaño de la puerta vaivén de reemplazo: tamaño general de la puerta vaivén cuando se retira de la puerta para mascotas

Tamaño del espacio de la puerta vaivén: espacio utilizable de la puerta vaivén para que la mascota entre y salga a través de la puerta para mascotas

Sección superior de la puerta: sección del panel de patio con vidrio

Sección inferior de la puerta: sección del panel de patio con la puerta para mascotas

Ajuste de altura: panel de metal con resortes ubicados encima de la sección superior de la puerta para ajustar la altura del panel de patio

Apertura del marco de la puerta de vidrio corrediza: apertura de la puerta de vidrio corrediza entre la guía superior de la puerta y la guía inferior de la puerta

Marco expuesto de vidrio corredizo: marco de la puerta de vidrio corrediza que es visible y queda expuesto en la pared interior y exterior

Marco embutido del vidrio corredizo: marco de la puerta de vidrio corrediza que está a nivel o apenas visible en la pared interior o exterior

Altura: la distancia desde el suelo a la parte inferior de la puerta vaivén en la puerta para mascotas. Es la altura por la que debe pasar la mascota para entrar o salir por la puerta para mascotas.

Línea de reborde del panel de patio: líneas con reborde elevado del lado izquierdo y derecho del marco del panel de patio para indicar que se debe taladrar fuera del área de la línea de reborde. No taladre dentro de la línea de reborde ya que está el vidrio y se romperá si se usa el taladro en esta parte.

Rango de temperatura operativa: 0 °F a 100 °F (-18 °C a 38 °C)

Instalación de su panel de patio Freedom™

LOS PASOS A CONTINUACIÓN SON PARA LA INSTALACIÓN DE UN MARCO EXPUESTO DE VIDRIO CORREDIZO. SI EL PANEL DE PATIO SE INSTALA DENTRO DE UN MARCO EMBUTIDO DE PUERTA DE VIDRIO CORREDIZA, COMUNÍQUESE CON NUESTRO CENTRO DE ATENCIÓN AL CLIENTE O VISITE WWW.PETSAFE.NET PARA ADQUIRIR UN KIT DE SOPORTES METÁLICOS, MPA00-12891 Y OBTENER INSTRUCCIONES DE INSTALACIÓN.

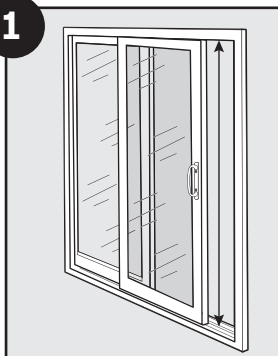
AVISO

Antes de la instalación y perforación, consulte la garantía del fabricante de su puerta de vidrio corrediza. Los cambios o modificaciones no autorizados pueden anular la garantía. La instalación de tornillos en marcos o jambas de vinilo para puertas puede romper el vinilo.

Paso Medir

1

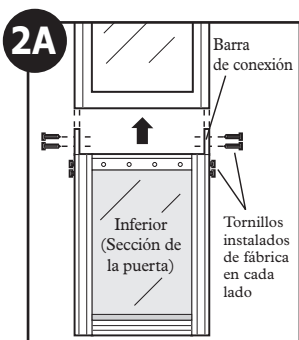
1



1 Antes de cualquier compra de una puerta para mascotas para panel de patio Freedom™, debe determinar la altura de la apertura del marco de la puerta de vidrio corrediza. Mida desde el punto más alto en la guía superior de la puerta hasta el punto más bajo de la guía inferior de la puerta.

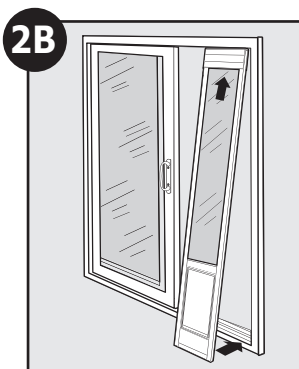
Paso 2 Instalar el panel de patio

2



2A NOTA: Si usted compró un panel de patio de 96", primero fije la sección inferior a la sección superior antes de comenzar con la instalación. Quite los cuatro tornillos instalados de fábrica de los lados de las barras de conexión en la sección inferior de la puerta. Alinee y deslice las barras de conexión de la sección inferior a la sección superior. Vuelva a instalar y ajuste los cuatro tornillos a través de los cuatro orificios previamente perforados en los lados de la sección superior de la puerta hacia dentro de las barras de conexión.

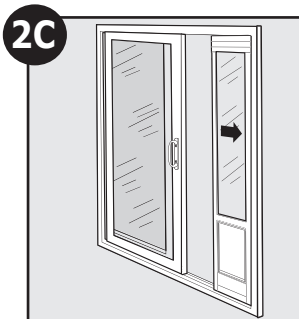
NOTA: Retire todos los materiales de embalaje, incluso los separadores de cartón dentro del ajustador de altura.



2B La puerta para mascotas del panel de patio Freedom™ se inserta dentro de la apertura de su puerta de vidrio corrediza, contra la jamba de la puerta. La puerta de vidrio corrediza se cerrará contra el panel de patio.

Con la puerta de vidrio corrediza abierta, inserte la parte superior del panel de patio con el ajustador de altura dentro de la guía superior de la puerta, en el lado interior de la puerta de vidrio corrediza. Levante y posicione la parte inferior del panel de patio dentro de la guía inferior de la puerta, en el lado interior de la puerta de vidrio corrediza. Asegúrese de que el lado del panel de patio que muestra las cabezas de tornillos de la puerta vaivén esté del lado interno de su puerta de vidrio corrediza.

NOTA: Puede ser necesario tirar del ajustador de altura para que el panel de patio entre en la guía de su puerta de vidrio corrediza. Tire con firmeza de un lado y luego del otro.



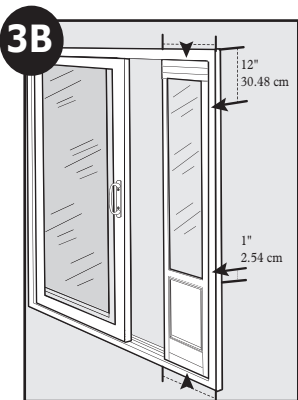
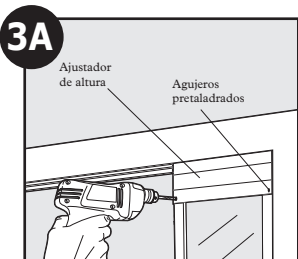
2C Mueva el panel de patio contra la jamba de la puerta.



El panel de patio debe quedar a nivel contra la jamba de la puerta, sin espacios. Asegúrese de que el ajustador esté extendido por completo y no se incline hacia un lado. Asegúrese de estar satisfecho con el ajuste del panel de patio antes de perforar.

Paso 3 Fijar el panel de patio

3



3A Deslice el panel de patio levemente hacia afuera desde la jamba de la puerta para mostrar los orificios previamente perforados en el ajustador de altura. Perfore orificios de $\frac{7}{64}$ " (2.5 mm) a través de los dos orificios previamente perforados en el lado interno del ajustador de altura. Asegure el ajustador de altura al panel de patio con dos tornillos autorroscantes de $\frac{5}{8}$ ". Deslice el panel de patio nuevamente contra la jamba de la puerta. Asegúrese de que esté a nivel, sin huecos.

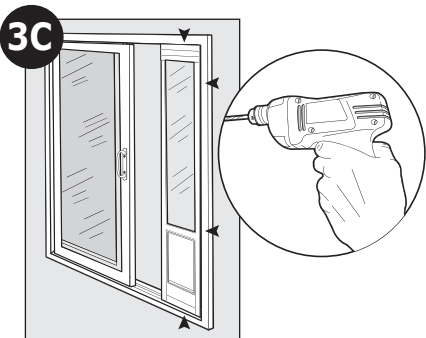
NOTA: Si instala el panel de patio en un marco embutido de puerta de vidrio corrediza, comuníquese con nuestro Centro de atención al cliente o visite www.petsafe.net para adquirir un kit de soportes metálicos, MPA00-12891, e instrucciones de instalación.

AVISO

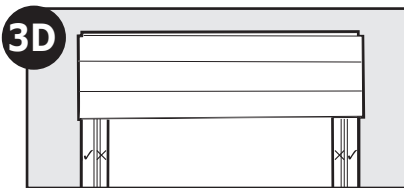
Antes de la instalación y perforación, consulte la garantía del fabricante de su puerta de vidrio corrediza. Los cambios o modificaciones no autorizados pueden anular la garantía. La instalación de tornillos en marcos o jambas de vinilo para puertas puede romper el vinilo.

3B Para instalar el panel de patio en un marco expuesto de puerta de vidrio corrediza, busque el centro del panel de patio en la parte superior y haga una marca en el marco de la puerta de vidrio

corrediza. Mida 12" desde el borde de la puerta de vidrio corrediza, de arriba hacia abajo, y haga una marca. Mida 1" por encima de la puerta para mascotas en el panel de patio y haga una marca en el marco de la puerta de vidrio corrediza. Mida el centro del panel de patio en la parte inferior y haga una marca en el marco de la puerta de vidrio corrediza.

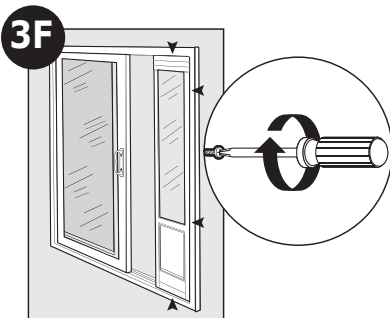
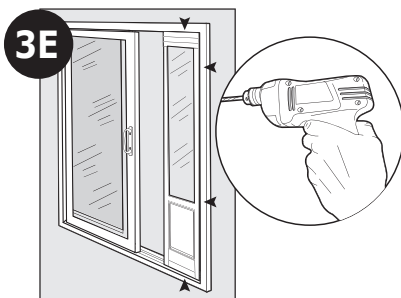


3C Perfore agujeros de paso de $\frac{9}{64}$ " (3.5 mm) a través del marco de la puerta de vidrio corrediza SOLO en los lugares que marcó recién. NO PERFORE EL PANEL DE PATIO EN ESTE MOMENTO.



3D Antes de perforar el panel de patio, es importante no perforar dentro de las líneas de reborde del panel de patio, donde está el vidrio. Perfore solo dentro de la sección del borde externo. Es posible que tenga que deslizar levemente el panel de patio para corregirlo antes de perforar.

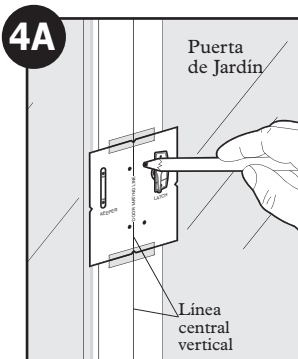
3E Perfore orificios $7/64$ " (2.5 mm) a través de los agujeros de paso del marco de la puerta de vidrio corrediza dentro del panel de patio.



3F Ajuste el panel de patio al lado interno del marco de la puerta de vidrio corrediza con cuatro tornillos autoroscantes de $5/8$ ". NO AJUSTE EN EXCESO.

Paso 4 Instalar la traba

4



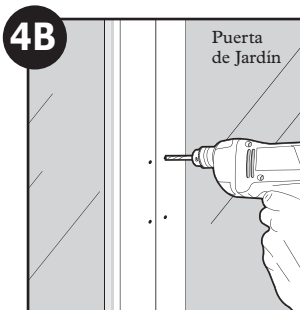
derecha. Fije la plantilla en su lugar con cinta y marque los lugares para los tornillos de montaje. Retire la plantilla.

AVISO

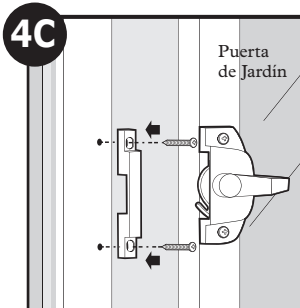
Antes de la instalación y perforación, consulte la garantía del fabricante de su puerta de vidrio corrediza. Los cambios o modificaciones no autorizados pueden anular la garantía. La instalación de tornillos en marcos o jambas de vinilo para puertas puede romper el vinilo.

4A Cierre bien la puerta de vidrio corrediza contra el panel de patio. Determine la ubicación de la traba a una altura cómoda para usted desde el suelo. Con la plantilla proporcionada (ubicada en la última página de la Guía de instalación) alinee la línea central vertical en la plantilla con la línea de la puerta entre la puerta de vidrio corrediza y el panel de patio. Mantenga el lado de la traba de la plantilla a la

NOTA: Observe la ubicación de las marcas de los tornillos para asegurarse de que no estén en contacto con el vidrio, ya sea en la puerta de vidrio corrediza o el panel de patio al hacer las perforaciones. De ser necesario, mueva levemente la plantilla y vuelva a marcar los orificios de los tornillos.



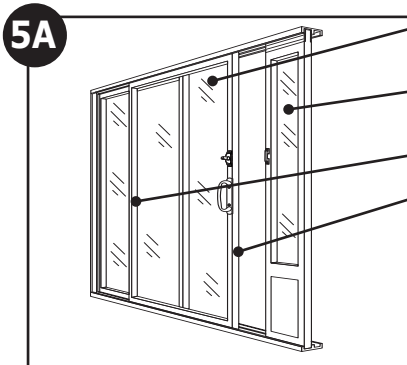
4B Perfore cuatro orificios $7/64''$ (2.5 mm). NO perfore por completo hasta el otro lado de la puerta de vidrio corrediza o el panel de patio.



4C Asegure la traba y el cerrojo con cuatro tornillos autorroscantes de cabeza plana de $3/4''$. NO AJUSTE EN EXCESO.

Consejo útil: Si se ajusta en exceso y ha desmontado la conexión, mueva levemente la traba hacia arriba o hacia abajo y vuelva a perforar los orificios de montaje. Otra opción es perforar los orificios existentes agrandándolos e instalar anclajes plásticos. Los anclajes plásticos se pueden adquirir en cualquier tienda local de herramientas o ferretería.

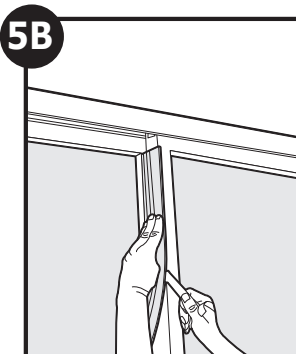
Paso 5 Instalar el burlete para cristal y el impermeabilizador



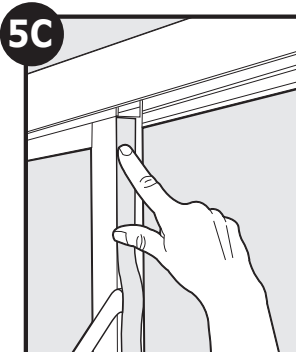
- La puerta de patio aquí se muestra levemente abierta
- Puerta para mascotas en panel de patio Freedom™
- Instale el burlete para cristal aquí
- Instale el impermeabilizador aquí

5A El burlete se debe instalar en el borde posterior de la puerta de vidrio corrediza, formando un sello entre la puerta de vidrio corrediza y la puerta de vidrio fija. El impermeabilizador se debe instalar en el borde frontal de la puerta

de vidrio corrediza, formando un sello entre el panel de patio Freedom™ y la puerta de vidrio corrediza.



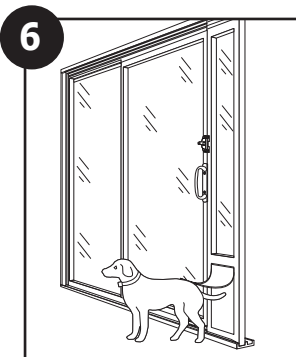
5B Cierre la puerta de vidrio corrediza contra el panel de patio. Limpie y seque el borde posterior de la puerta de vidrio corrediza. Coloque el burlete en el borde superior del vidrio con la parte flexible tocando el vidrio de la puerta fija. Despegue el papel cuidadosamente y presione el burlete en el lugar, a medida que lo va desplegando hacia abajo hasta la parte inferior de la puerta. Corte los excedentes con tijeras.



5C Abra la puerta de vidrio corrediza. Limpie y seque el borde frontal de la puerta de vidrio corrediza. Coloque el impermeabilizador en el borde frontal superior hacia el lado interno. Despegue el papel cuidadosamente y presione el impermeabilizador en el lugar, a medida que lo va desplegando hacia abajo hasta la parte inferior de la puerta. Corte los excedentes con tijeras.

Paso Entrenar a su mascota

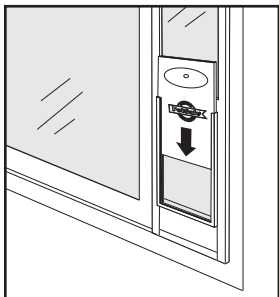
6



6 Puede quedarse de un lado de la puerta y su mascota del otro. Levante la puerta vaivén unas pocas pulgadas y trate de llamar a su mascota a través de la puerta. Después de que su mascota haya pasado algunas veces, deje que la puerta vaivén toque el lomo de su mascota para que se acostumbre al usar la puerta para mascotas. Si su mascota no pasa por la puerta, pegue con cinta la puerta vaivén para que quede abierta hasta que la use por su cuenta.

Consejo útil: Intente con regalos para alentar a su mascota a pasar por la puerta para mascotas y se acostumbre a usarla.

Panel de cierre

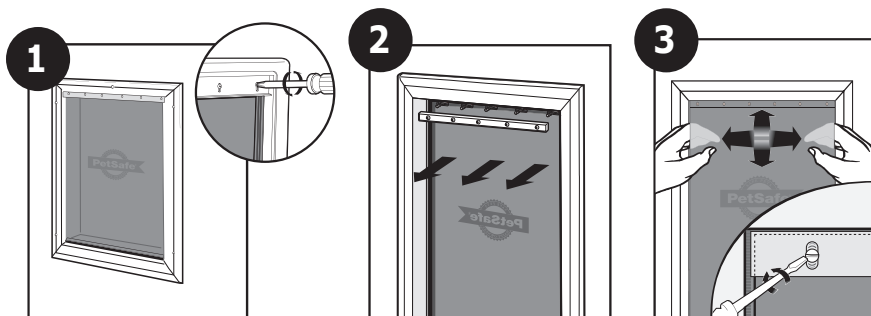


El panel de cierre se desliza por la guía en el lado interno de la puerta para mascotas de panel de patio Freedom™. Es útil durante tiempos inclementes o para evitar que su mascota use la puerta para mascotas.

Puertas vaivén de reemplazo

Reemplazar y fijar

Con los cambios de clima extremos, las puertas vaivén de vinilo se pueden encoger durante los meses fríos y contraerse en los meses más cálidos. Reemplace fácilmente o fíjela para asegurar un buen ajuste durante los cambios de estación.



1 Para reemplazarla quite los tornillos del marco interno de la puerta para mascotas.

2 Retire la barra y la puerta vaivén.

3 Reemplace por la nueva puerta vaivén y colóquela horizontalmente y verticalmente de modo que se ajuste al marco de la puerta. Reemplace la barra y ajuste los tornillos en su lugar.

Para fijarla desajuste levemente los tornillos del marco interno de la puerta para mascotas.

Mueva levemente la barra alejándola de la puerta vaivén.

Ajuste la puerta vaivén en forma horizontal y/o vertical para que quepa dentro del marco de la puerta. Empuje la barra hacia la puerta vaivén y ajuste los tornillos en su lugar.

Partes y accesorios de reemplazo

Para adquirir piezas de reemplazo para su puerta para mascotas de panel de patio PetSafe® Freedom™, comuníquese con nuestro Centro de atención al cliente al 1-800-732-2677 o visite nuestro sitio web en www.petsafe.net.

Componente	Número de pieza de reemplazo
Puerta vaivén pequeña de reemplazo	PAC11-11037
Puerta vaivén mediana de reemplazo	PAC11-11038
Puerta vaivén grande y grande-alta de reemplazo	PAC11-11039
Panel de cierre pequeño	MPA00-12831
Panel de cierre mediano	MPA00-12832
Panel de cierre grande y grande-alto	MPA00-12833
Ensamble de cerrojo satinado	MPA00-12622
Ensamble de cerrojo de bronce	MPA00-12621
Ensamble de cerrojo blanco	MPA00-12620
Kit de piezas de instalación	MPA00-11823
Kit de soportes metálicos	MPA00-12891

Condiciones de uso y limitación de responsabilidad

1. Condiciones de uso

Este producto se le ofrece a condición de que acepte, sin modificaciones, los siguientes términos, condiciones y observaciones. El uso de este producto implica la aceptación de la totalidad de dichos términos, condiciones y observaciones.

2. Uso apropiado

Este producto está diseñado para adiestrar mascotas. Según el temperamento de la mascota, es posible que este no sea el producto más adecuado a su caso. Si tiene dudas de que este sea un producto adecuado para su mascota, consulte al veterinario o a un adiestrador calificado. El uso apropiado incluye la lectura de toda esta guía de uso del producto y todas sus precauciones específicas.

3. Sobre el uso ilícito o prohibido

Este producto está diseñado para ser usado solamente con mascotas. Es un dispositivo de adiestramiento, cuyo fin no es causar daño, lesiones o incitar la agresividad de la mascota. El uso de este producto de alguna manera que no sea aquella para la cual fue diseñado puede resultar en incumplimiento de leyes federales, estatales o locales.

4. Limitación de responsabilidad

En ningún caso, Radio Systems® Corporation será responsable por los daños directos, indirectos, punitivos, secundarios, especiales o derivados, ni por daños que surjan o estén relacionados con el uso debido o indebido de este producto. El comprador asume todos los riesgos y responsabilidades por el uso del mismo.

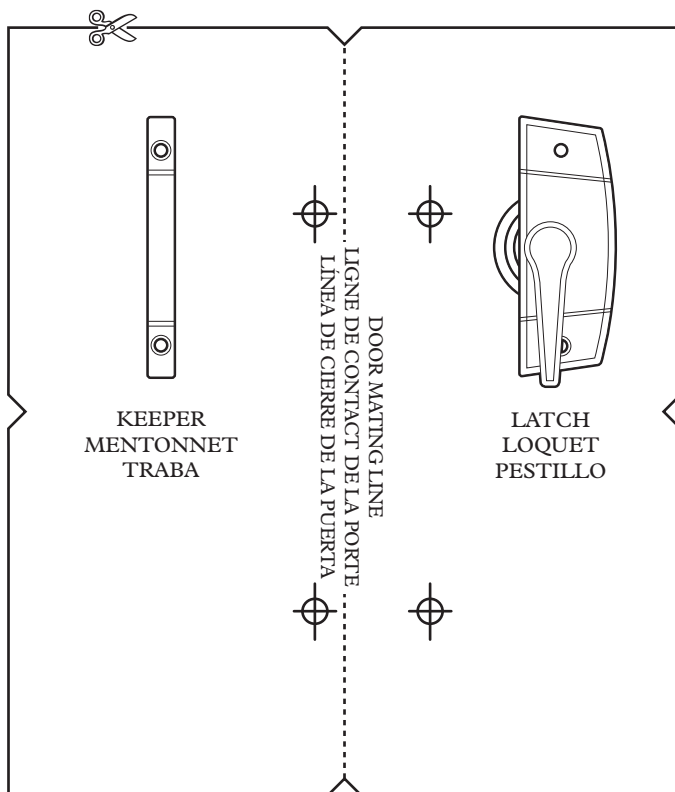
5. Modificación de los términos y condiciones

Radio Systems Corporation® se reserva el derecho a modificar los términos, las condiciones y observaciones según los cuales se ofrece este producto.

Latch Mounting Template

Gabarit de montage du loquet

Plantilla de instalación del pestillo



Radio Systems® Corporation

10427 Electric Avenue
Knoxville, TN 37932
1-800-732-2677
www.petsafe.net
400-1286-11

©2010 Radio Systems® Corporation