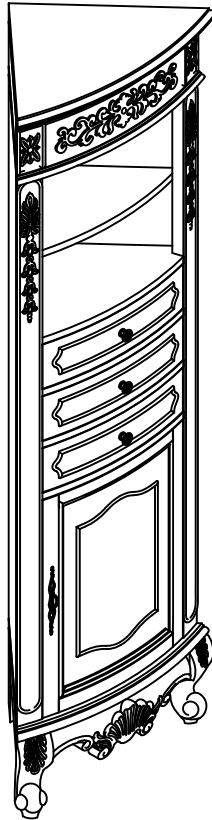


# HOME DECORATORS COLLECTION

Item #BF-27005  
Model #00000000  
00000000

## USE AND CARE GUIDE

**Winslow 22"Wx14"Dx67.5"H single door linen cabinet**



Questions, problems, missing part? Before returning to the store,  
call Home Decorators Collection Customer Service  
8 a.m.-7p.m., EST, Monday-Friday, 9 a.m.- p.m., EST, Saturday

1-800-986-346

[HOMEDEPOT.COM/HOMEDECORATORS](http://HOMEDEPOT.COM/HOMEDECORATORS)

### THANK YOU

*We appreciate the trust and confidence you have placed in Home Decorators Collection through the purchase of this linen cabinet. We strive to continually create quality products designed to enhance your home. Visit us to see our full line of products available for your home.*

*improvement needs. Thank you for choosing Home Decorators Collection!*

## Table of Contents

Table of Contents . . . . .	2	Installation . . . . .	4
Safety Information . . . . .	2	Maintenance . . . . .	5
Warranty . . . . .	2	Care and Cleaning . . . . .	5
Pre-Installation . . . . .	3		
Planning Installation . . . . .	3		
Dimensions . . . . .	3		
Tools Required . . . . .	3		
Package Contents . . . . .	3		

## Safety Information

Read and understand these instructions before attempting to install or use this product.



**CAUTION:** Use caution when lifting heavy objects. Lifting heavy objects improperly could cause serious injury.



**NOTE:** Handle with care. Do not drop or handle roughly, as this could damage the linen cabinet.

## Warranty

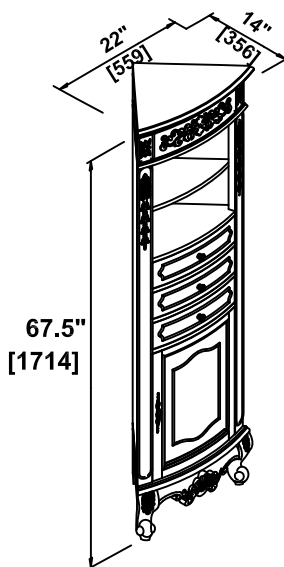
This linen cabinet product comes with a manufacture Limited Lifetime Warranty. The warranty applies to the original purchaser of the linen cabinet and guarantees that the surface will not wear through or peel off. Installation of the product confirms your acceptance of the product. Failure to follow Pre-Installation and Installation guidelines will void the warranty. The warranty does not cover damage from improper use, care or maintenance, including scratching, exposure to moisture and humidity, water damage, denting, fading, or staining. Contact the Customer Service Team at 1-800-986-3460 or visit [www.HOMEDEPOT.com/HOMEDECORATORS](http://www.HOMEDEPOT.com/HOMEDECORATORS).

# Pre-Installation

## PLANNING INSTALLATION

Check the linen cabinet for damage before installation. If any part of the linen cabinet is missing or damaged, contact the Customer Service Team at 1-800-986-3460.

## DIMENSIONS



## TOOLS REQUIRED

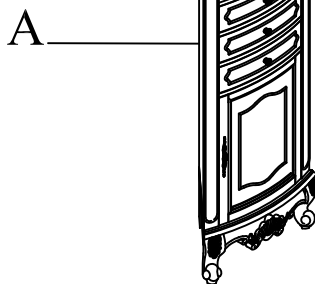


Safety goggles



Level

## PACKAGE CONTENTS

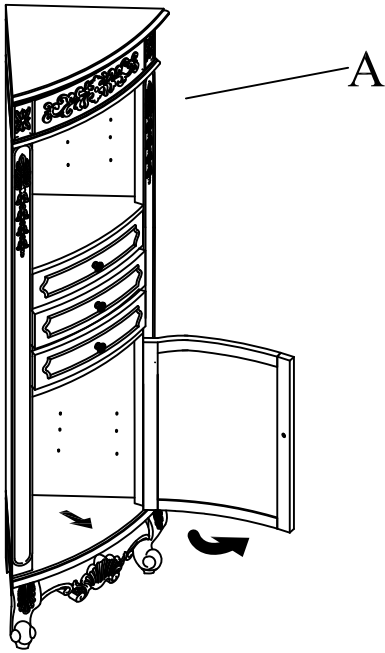


Part	Description	Quantity
A	linen cabinet	1

## Installation

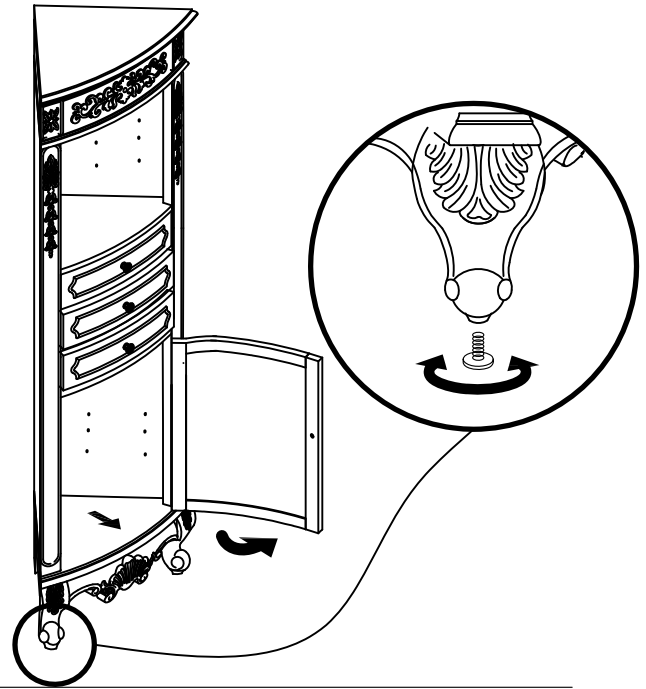
### 1 Preparing the linen cabinet

- Place the linen cabinet (A) in the desired location.
- Open the cabinet doors and remove the foam.



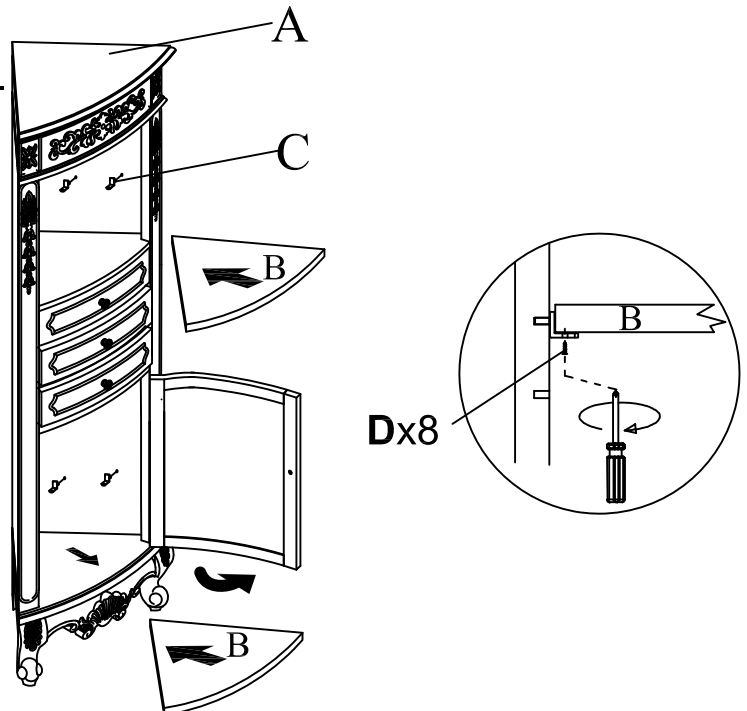
### 2 Leveling the linen cabinet

- Twist the adjustable feet to ensure that the linen cabinet is level and steady.



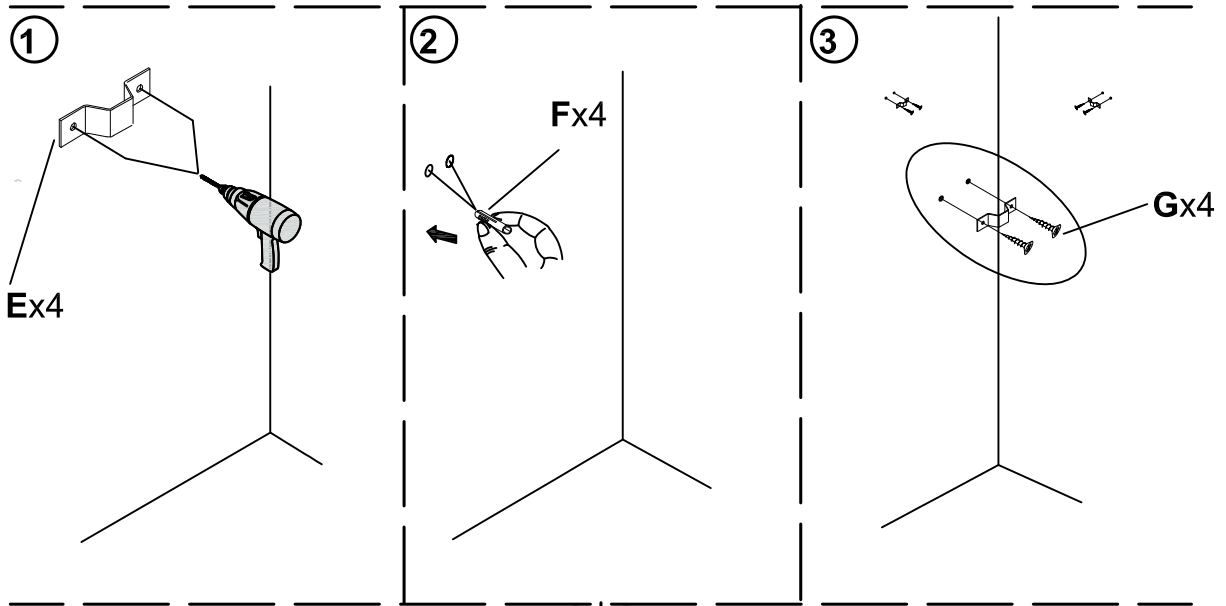
### 3 Adjusting the shelves

- Remove the shelf (B) from the linen cabinet (A).
- Insert the shelf brackets (C) into the desired holes. Ensure that all the shelf brackets (C) are level.
- Gently insert the shelf (B) into the linen cabinet.

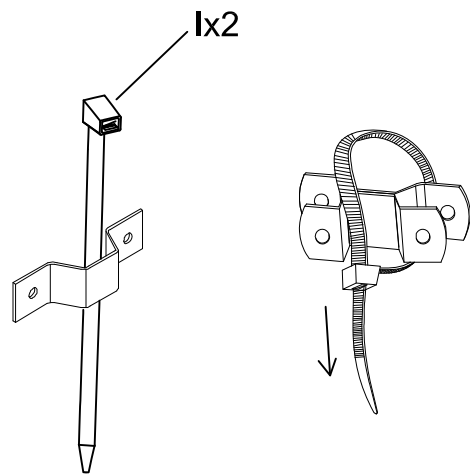
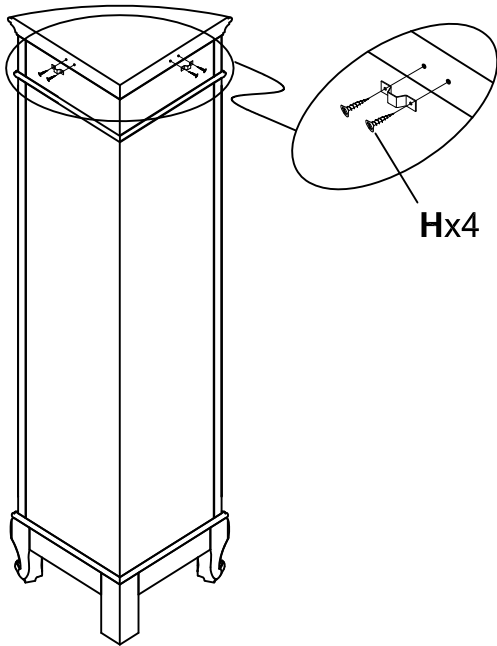


# Installation

**WARNING**  
*Customer must install the tip-over restraints provided.* Serious or fatal crushing injuries can occur from furniture tip-over. Use of tip-over restraints may only reduce, but not eliminate, the risk of tip-over.  
**BE CAREFUL!**



④ ⑤



---

If your furniture is stained or otherwise damaged during use, contact a professional for repairs.

## Care and Cleaning

---

Use a soft, clean cloth that will not scratch the surface when dusting.

Use of furniture polishes is not necessary. Should you choose to use polishes, test the polish in an inconspicuous area before using over the entire surface of the product.

Using solvents of any kind on your furniture may damage the finish.

Never use water to clean your furniture as it may cause damage to the finish.

Always use coasters under beverage glasses and flowerpots.

Liquid spills should be removed immediately. Using a soft, clean cloth, blot the spill gently. Avoid rubbing.

Always use protective pads under hot dishes and plates. Heat can cause chemical changes that may create spotting within the furniture finish.

Use care as stains or marks from crayons or ink markers will be difficult to remove.

Be sure to immediately clean red wine or soda stains within 30 minutes or the surface will stain.

# HOME DECORATORS COLLECTION

**Questions, problems, missing part? Before returning to the store,  
call Home Decorators Collection Customer Service  
8 a.m.-7p.m.,EST,Monday-Friday,9 a.m.- p.m.,EST,Saturday**

**1-800-986-346**

**[HOMEDEPOT.COM/HOMEDECORATORS](http://HOMEDEPOT.COM/HOMEDECORATORS)**

**Retain this manual for future use.**