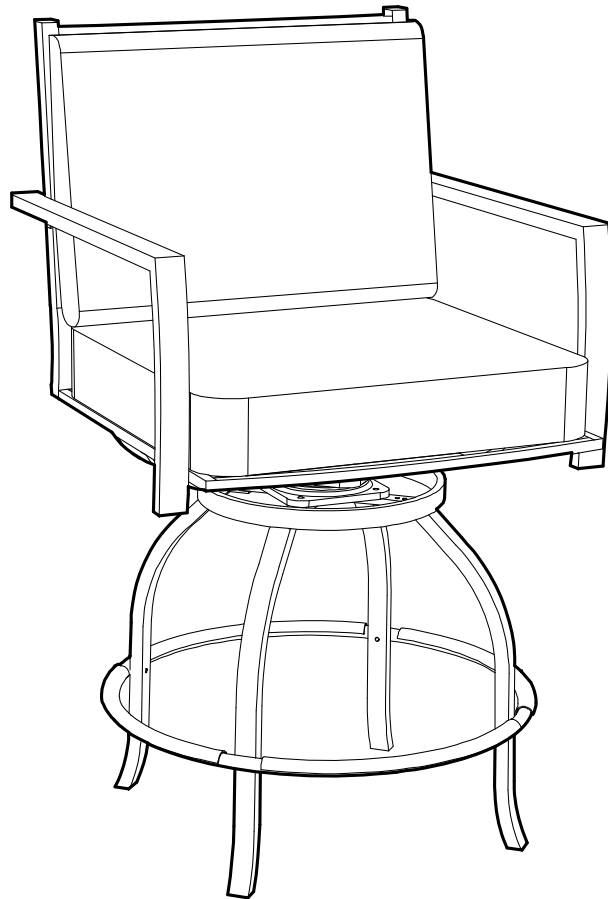


ASSEMBLY INSTRUCTION

SKU#:PF18264



Imported by Festival Trading Inc.
www.festival-depot.com
Made in China

Safety Information

- One person is required for this assembly.
- Some parts may contain sharp edges. Wear protective gloves.
- When assembling and using this product, basic safety precautions should always be followed to reduce the risk of personal injury and damage to equipment. Please read all instructions before assembly and usage.



CAUTION: Chair is for setting purpose only. Standing on or misuse of chair may result in damage or injury. Not intended for commercial use. WEIGHT LIMIT 250 LBS (113.5 KG)

NOTICE: For outdoor use only.



WARNING:

Keep all children and pets away from assembly area. Children and pets should be supervised when they are in the area of the Chair construction.

Keep assembly area at least 6 feet from any obstruction such as a fence, garage, house, overhanging branches, laundry line or electrical wires.

Check all bolts for tightness before use. IMPORTANT - check and tighten bolts often to keep them secure!

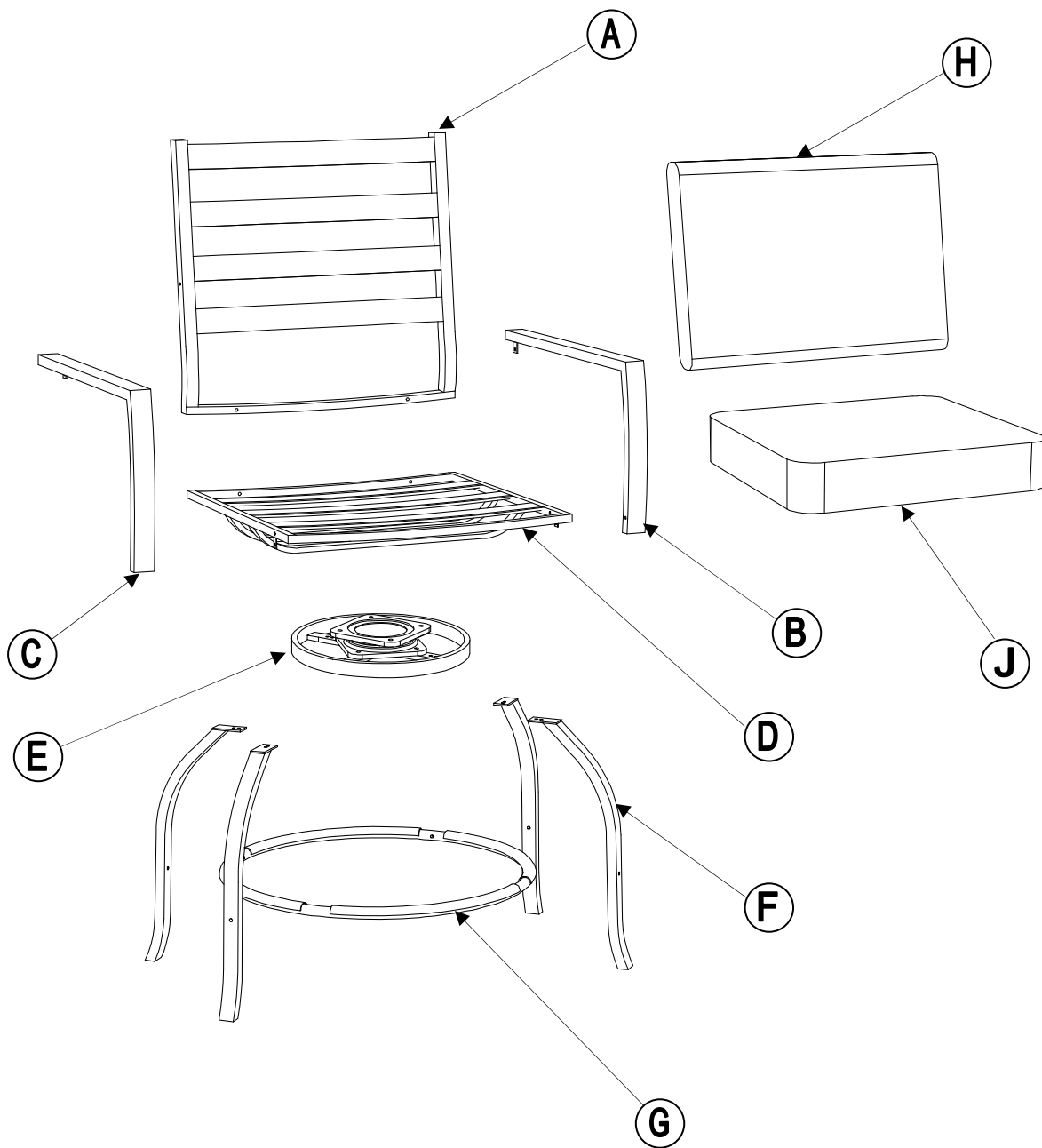
IMPORTANT


KEEP THIS INSTRUCTION MANUAL FOR FUTURE REFERENCE.









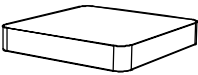
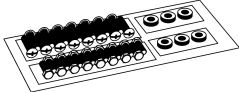
How many people needed for the installation work

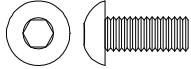
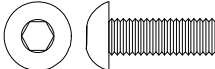
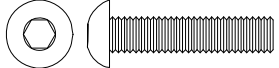
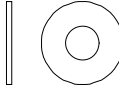
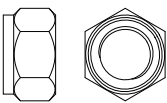
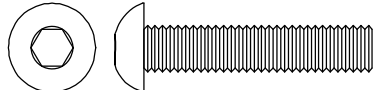

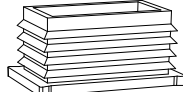
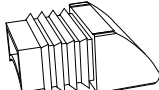


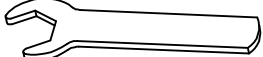


EXPLODED DRAWING

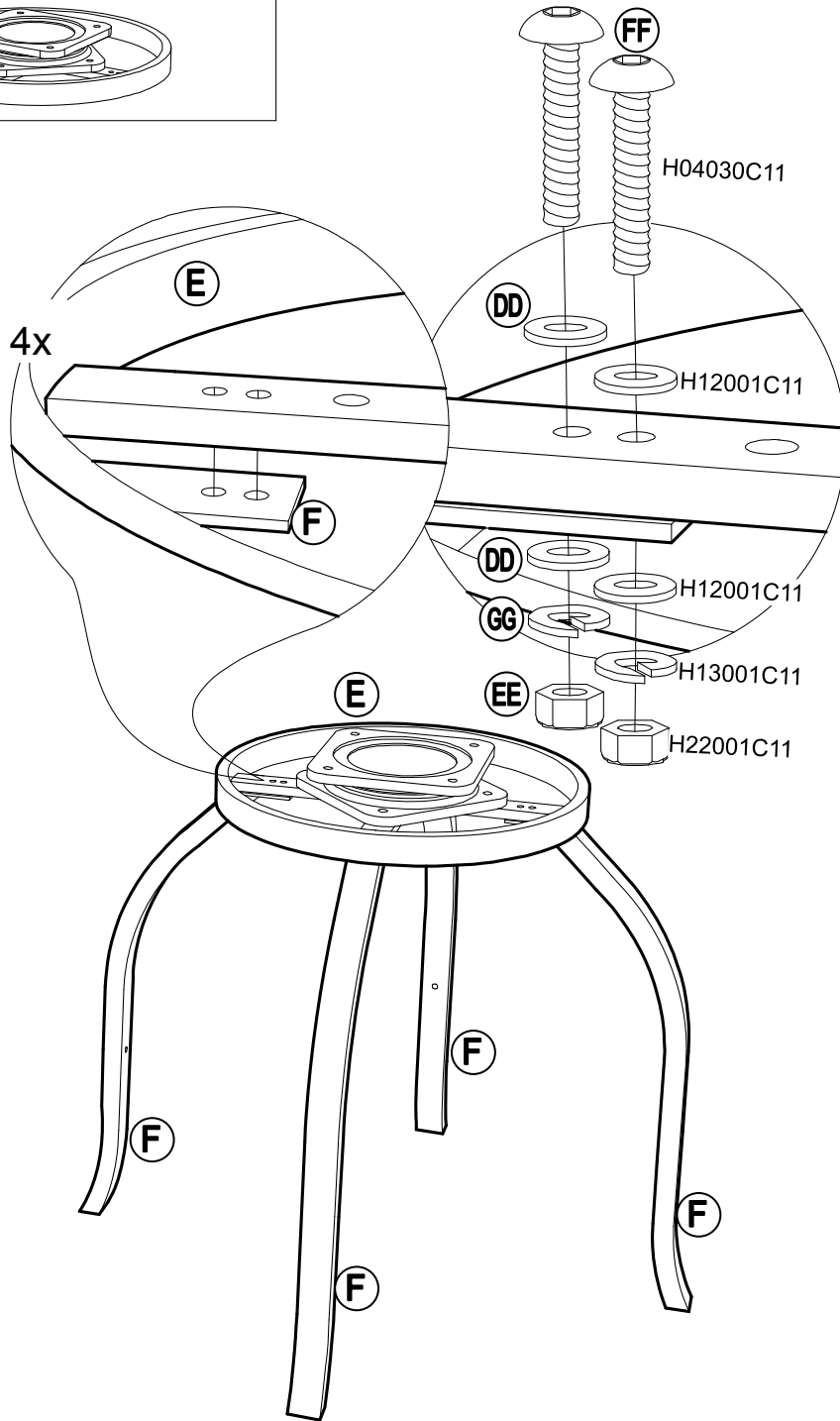
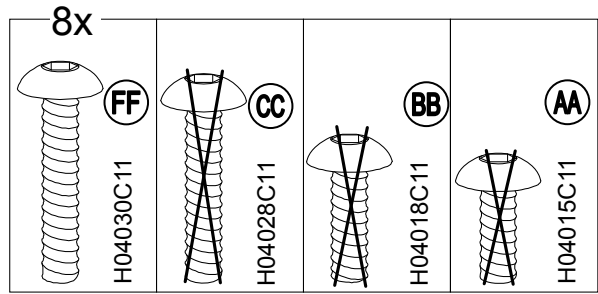
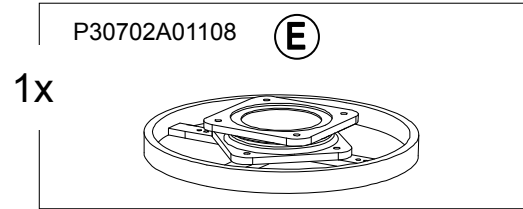
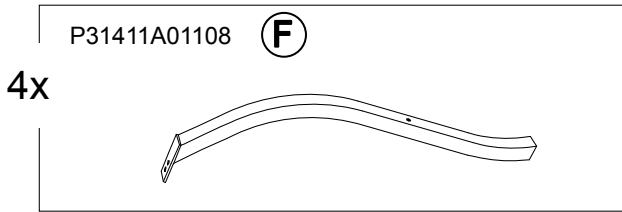


| Product Include | | | | |
|-----------------|-------------|-------------------|-----|---|
| Label | Part Number | Description | Qty | Part Image |
| | PF18264 | High Swivel Chair | 2 |  |

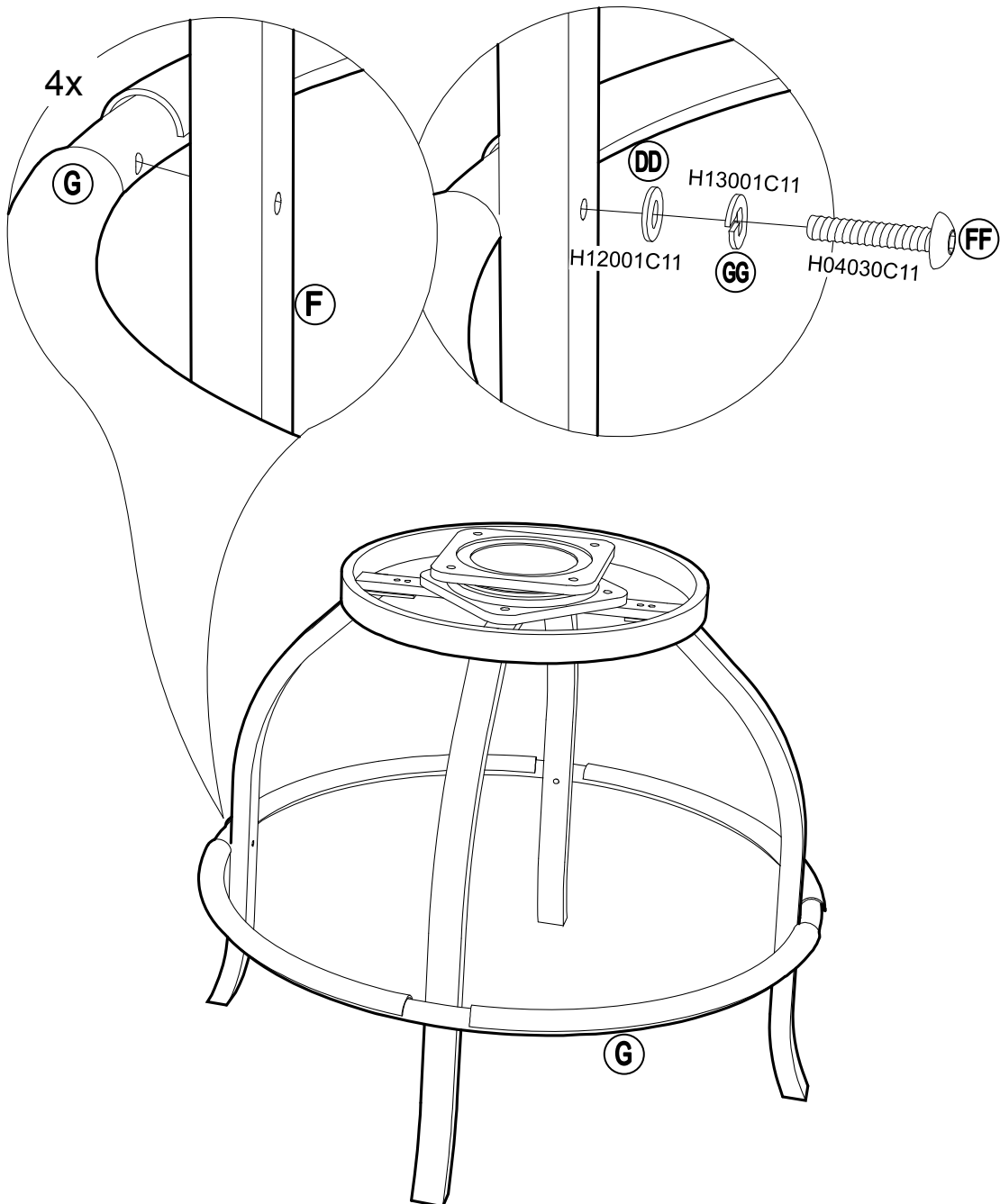
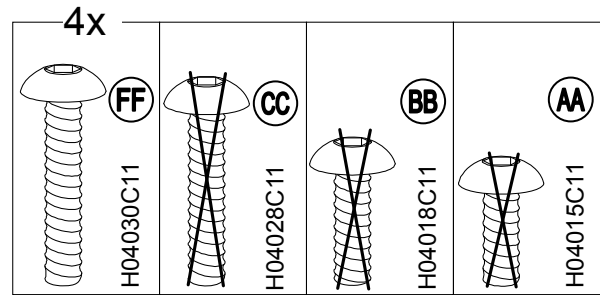
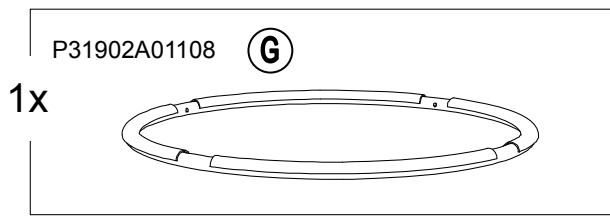
| Parts List (For 1 Chair) | | | | |
|--------------------------|--------------|-----------------|-----|---|
| Label | Part Number | Description | Qty | Part Image |
| A | P30105A01108 | Back | 1 |  |
| B | P30009A01108 | Handrail(Left) | 1 |  |
| C | P30010A01108 | Handrail(Right) | 1 |  |
| D | P30206A01108 | Seat | 1 |  |
| E | P30702A01108 | Turntable | 1 |  |
| F | P31411A01108 | Leg | 4 |  |
| G | P31902A01108 | Pedal Pipe | 1 |  |
| H | P00501G02109 | Back Cushion | 1 |  |
| J | P00401G02104 | Cushion | 1 |  |
| ZZ1 | Z00008 | Hardware Pack | 1 |  |

| Hardware Pack (For 1 Chair) | | | | |
|--------------------------------------|--------------------|--|------------|--|
| Label | Part Number | Description | Qty | Part Image |
| AA | H04015C11 | Bolt M6* 15 | 4 |  Actual Size |
| BB | H04018C11 | Bolt M6* 18 | 4 |  Actual Size |
| CC | H04028C11 | Bolt M6* 28 | 4 |  Actual Size |
| DD | H12001C11 | Washer M6 Flat | 32 |  Actual Size |
| EE | H22001C11 | Nut M6 | 8 |  Actual Size |
| FF | H04030C11 | Bolt M6*30 | 12 |  Actual Size |
| GG | H13001C11 | M6 Spring Washer | 24 |  Actual Size |
| HH | P91002J07001 | Tube cap (Pre-assembled to B、C) | 4 |  |
| JJ | P91001L07001 | Foot pad (Pre-assembled to F) | 4 |  |
| HH | P91801A07001 | Plastic Pedal (Pre-assembled to G) | 4 |  |
| XX | H00002C12 | Allen Key Size 4 | 1 |  |
| YY | H00001C12 | Wrench M6 | 1 |  |

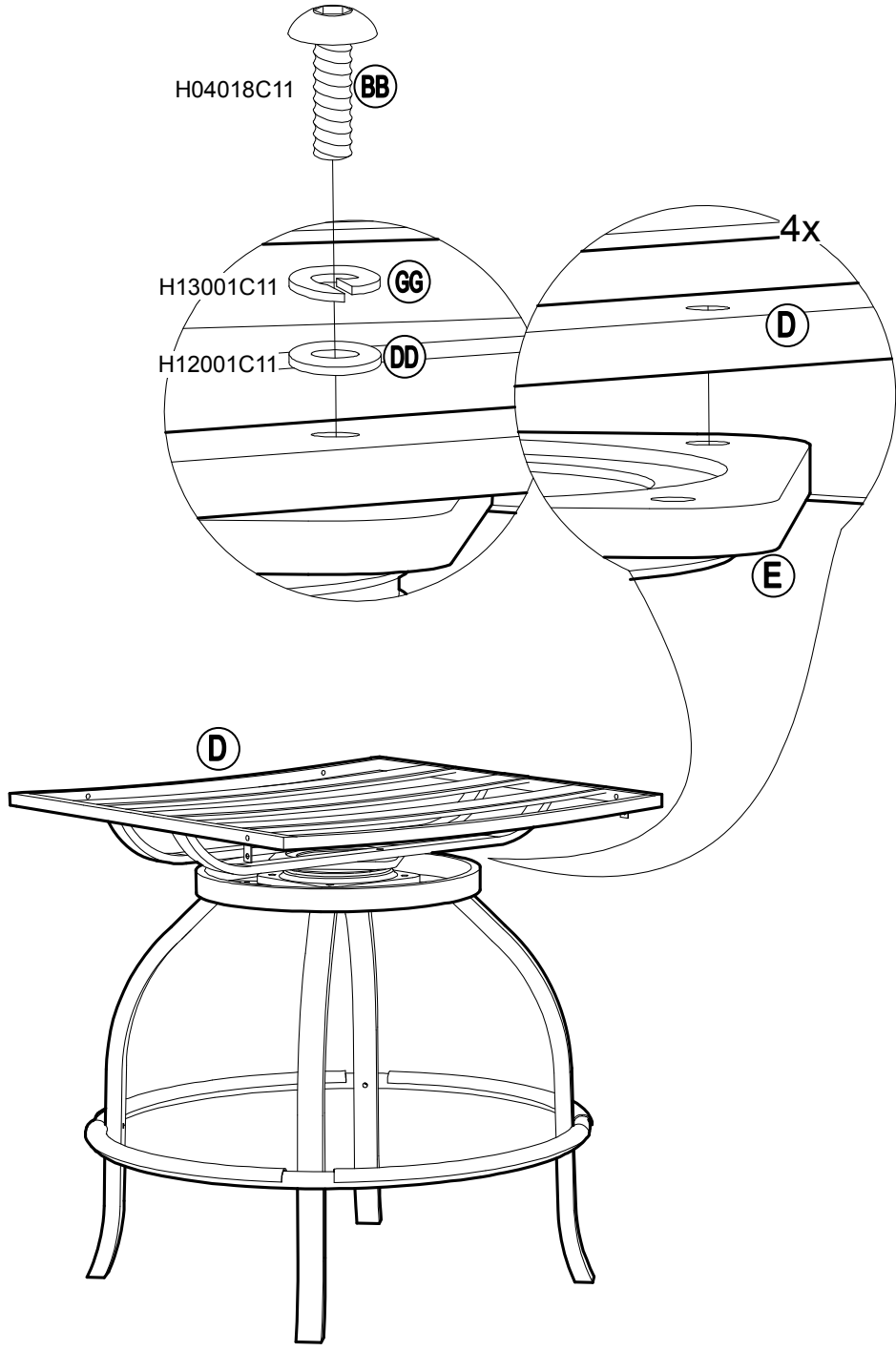
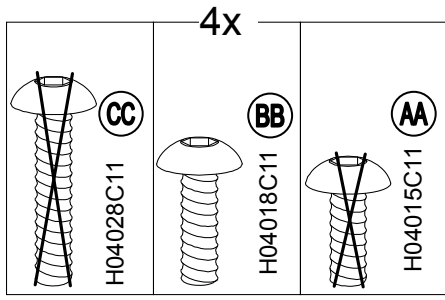
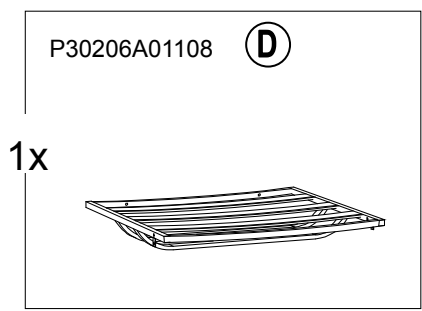
STEP 1: Assembly of Leg And Pedal Pipe



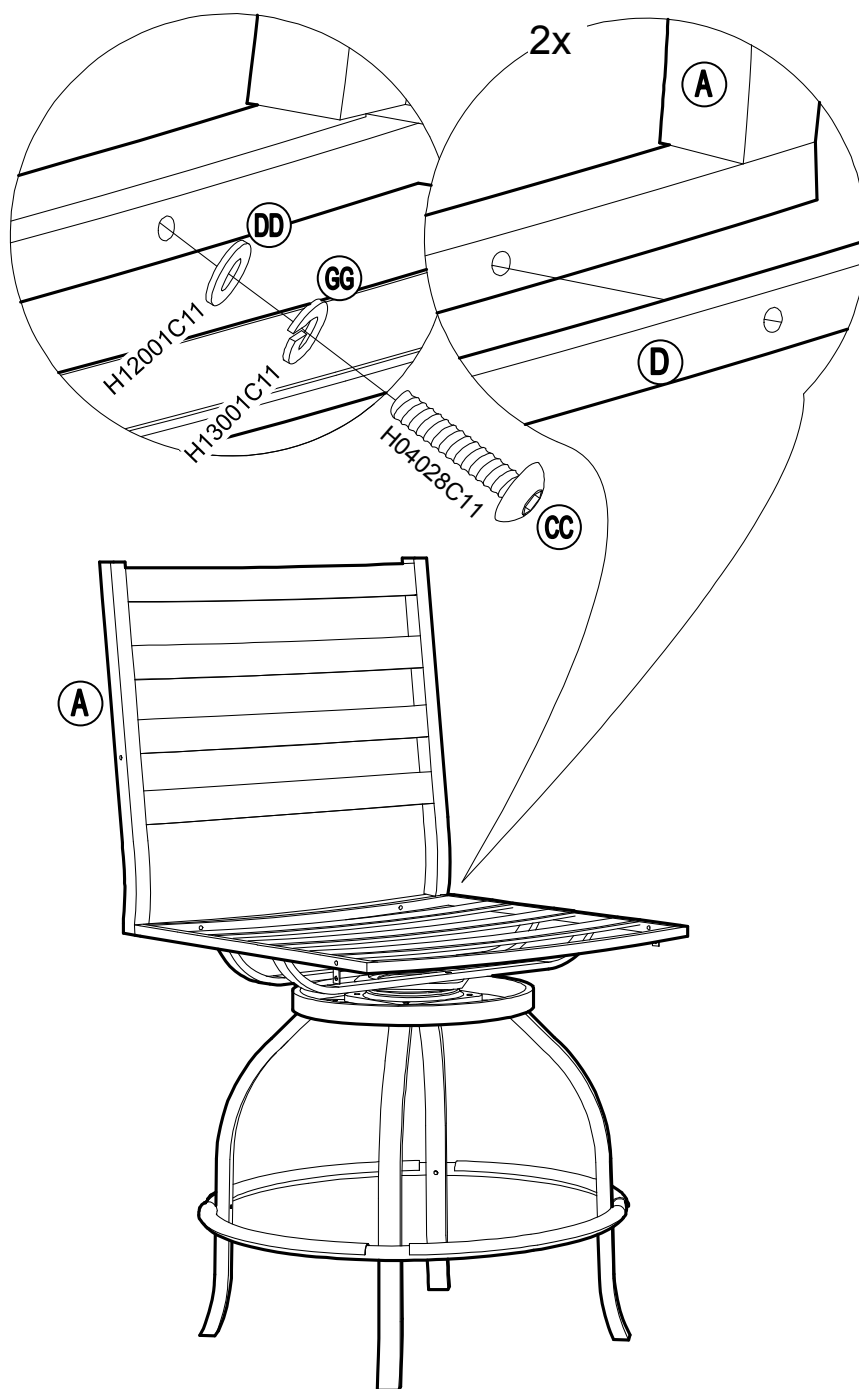
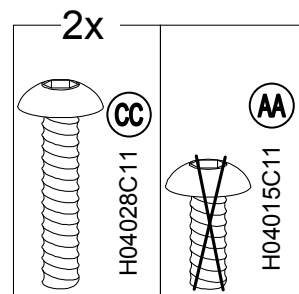
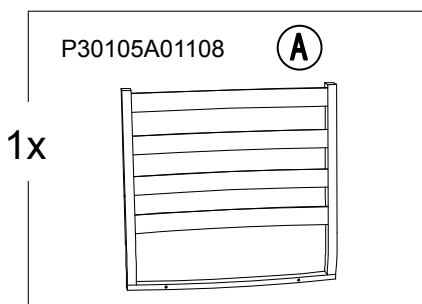
STEP 2: Assembly of Turntable



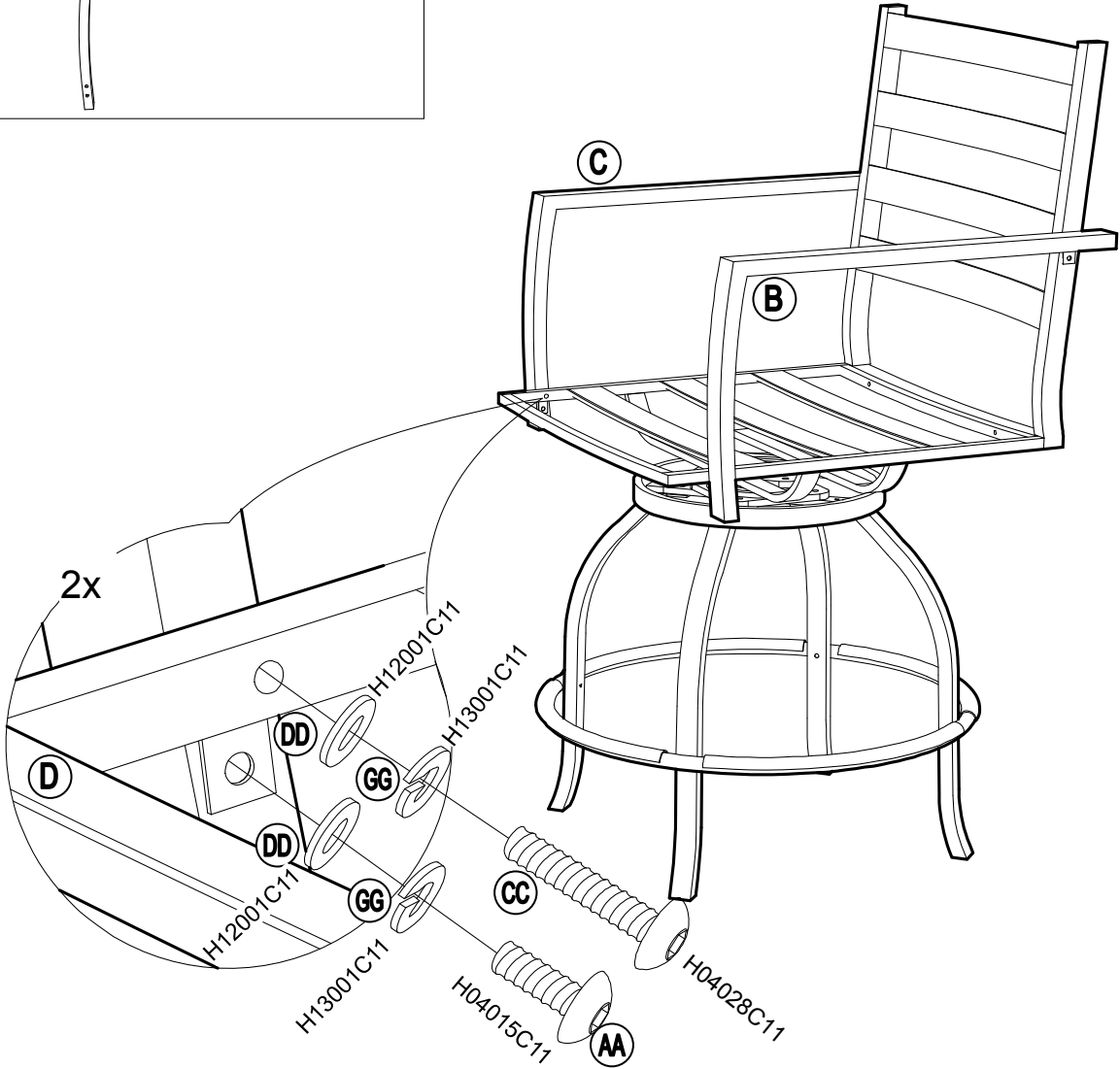
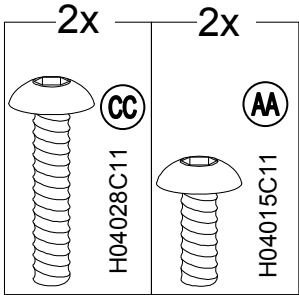
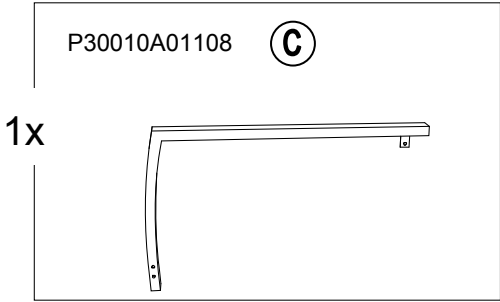
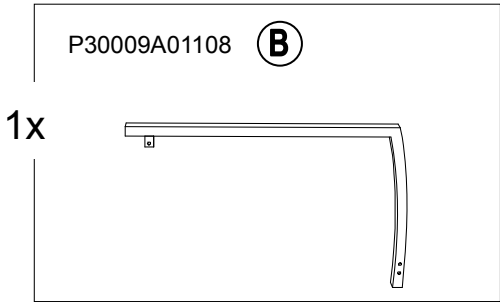
STEP 3: Assembly of Back And Seat



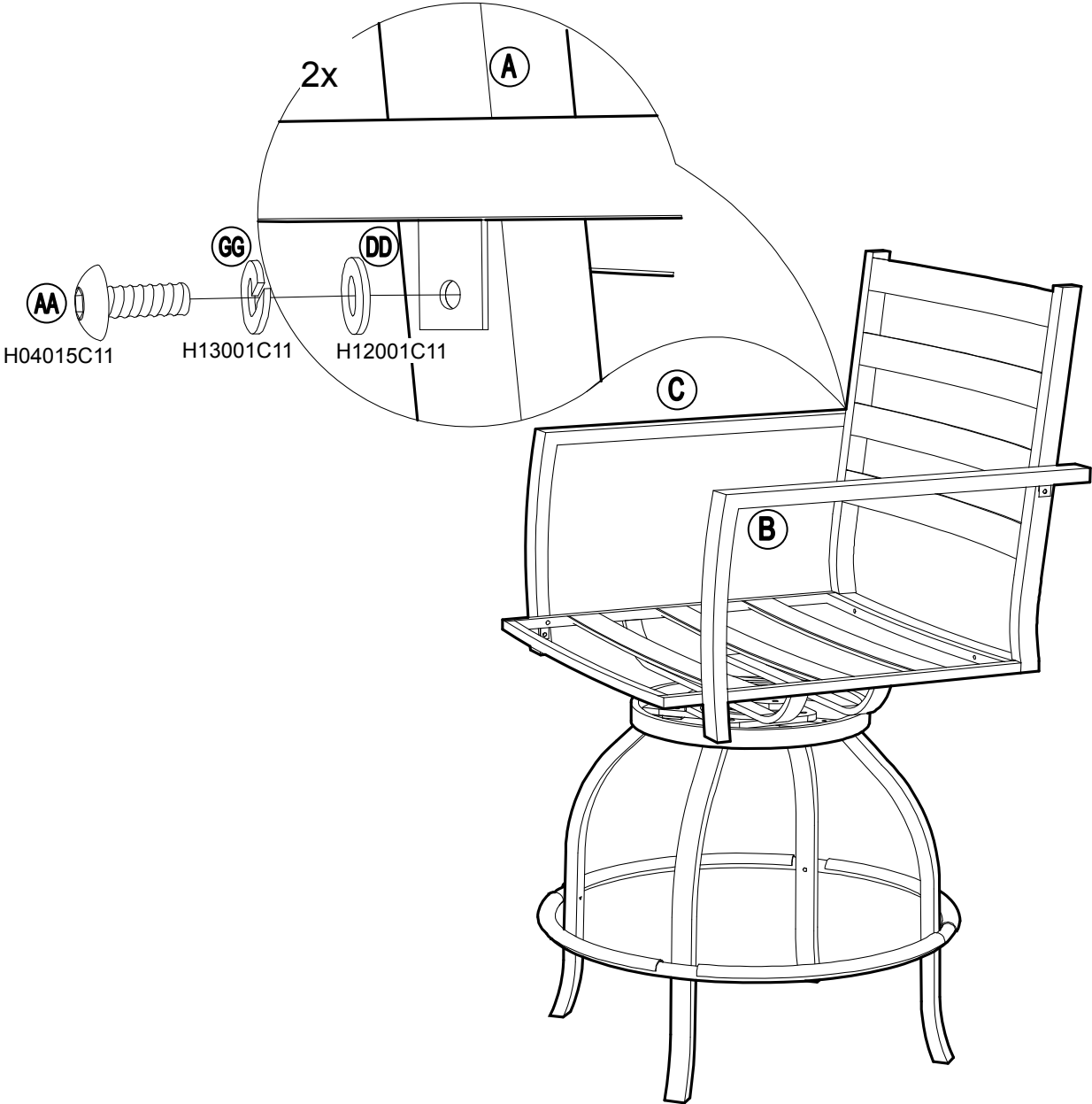
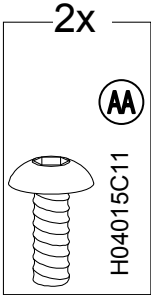
STEP 4: Assembly of Seat And Turntable

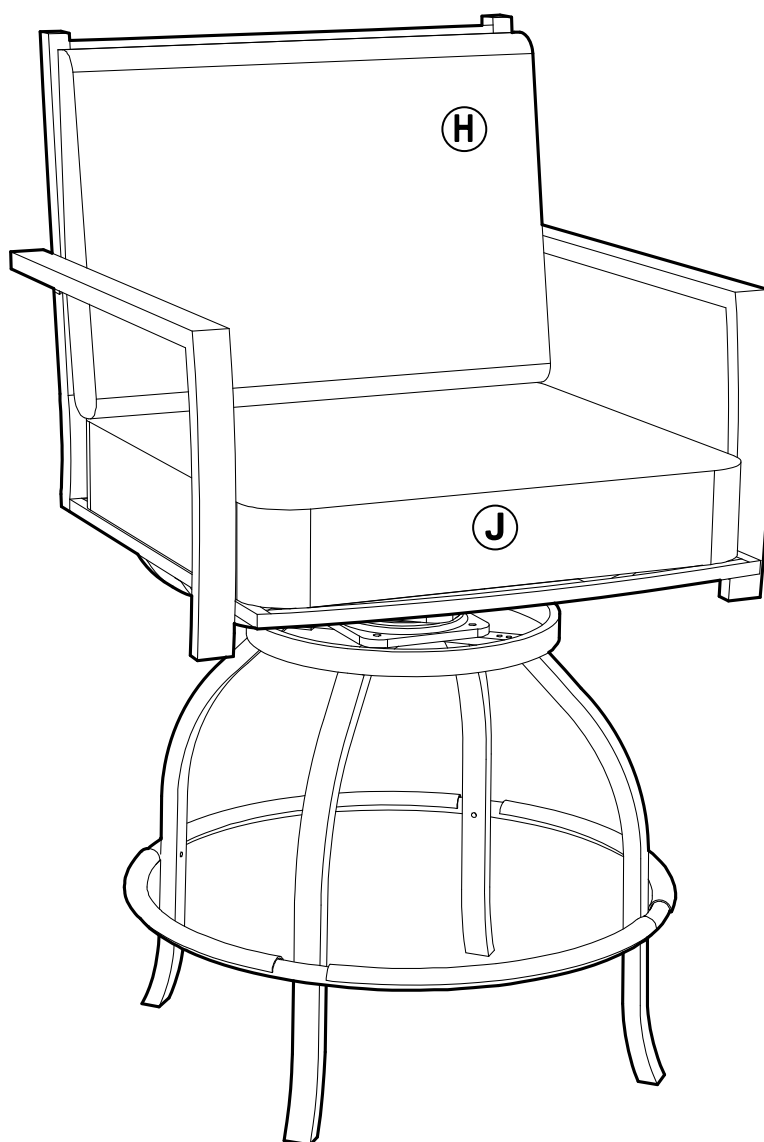
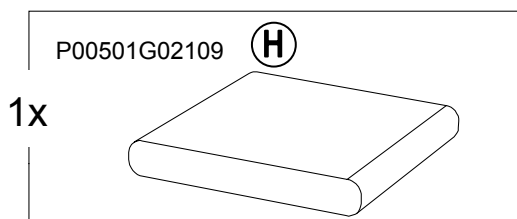
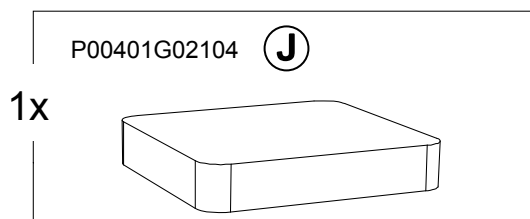


STEP 5: Assembly of Handrail(Left)



STEP 6: Assembly of Handrail(Right)



STEP 7: Assembly of Cushion And Back Cushion**Care and Maintenance**

Before using, clean the Chair completely with a soft dry towel. When not in use, wipe free of any dirt or loose objects, wash with a mild solution of soap and water; rinse thoroughly and dry completely. Do not use strong detergent or abrasive cleaners. Over time nuts and bolts can loosen. Occasionally, check nuts and bolts, re-tighten if necessary.

Table Assembly Instruction

PF18265

Please DO NOT tighten any screw to the end before you've connected all screws.

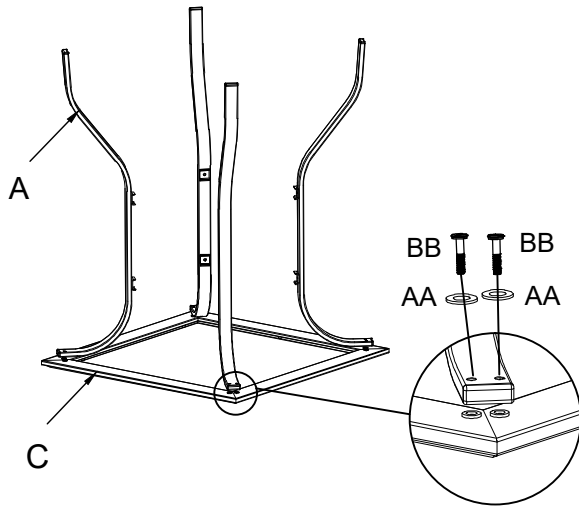


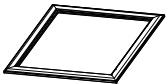


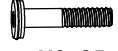

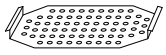


Fig.1

Step 1: Place the table frame (C) upside down on a soft surface. Line up the bolt holes on the table frame (C) with the corresponding bolt holes on the table legs (A). Insert M6x25 bolts (BB) with M6 washers (AA) and loosely tighten all bolts with allen wrench (CC). Please see Fig. 1.

| | PART LIST | DESCRIPTION | QTY |
|----|---|------------------|-----|
| A |  | Table Leg | 4 |
| B |  | Connecting Frame | 2 |
| C |  | Table Frame | 1 |
| D |  | Glass | 1 |
| AA |  Ø13*Ø6.5 | M6 Washer | 16 |
| BB |  M6*25 | M6x25 Bolt | 16 |
| CC |  | Allen Wrench | 1 |
| E |  | Support Shelf | 1 |

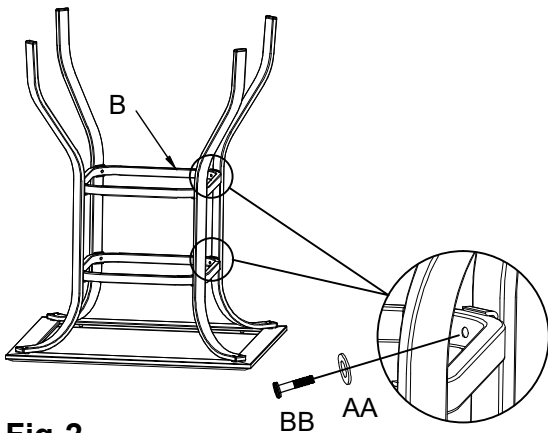


Fig.2

Step 2: Place the connecting frame (B) between the four legs (A). Line up the bolt holes on the connecting frame (B) with the corresponding bolt holes on the table legs (A). Insert M6x25 bolts (BB) with M6 washers (AA) and loosely tighten all bolts with allen wrench (CC). Please see Fig. 2.

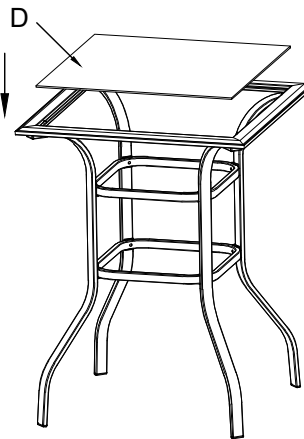


Fig.3

Step 3: Fully tighten all bolts and ensure all connections are secure before use. Turn the table right side up. Carefully place the glass (D) into the table frame (C). Please see Fig. 3.

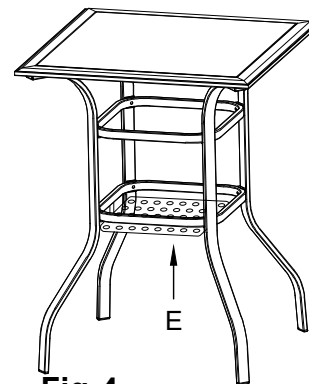


Fig.4

Step 4: Put the support shelf properly. Please see Fig. 4.