

DC Remote Pairing

Customer Service
1-877-902-5588
7:30am-3:30pm PT



Click [HERE](#) for
Visual instruction

DIM/ON Remote

1. Open the battery compartment of the remote and verify that the dipswitch options are “DIM”/“ON”, then insert x2 AAA batteries.
2. Turn off power to the fan for a few moments, then restore power.
3. Within 30 seconds, press and hold the button on the remote.
4. Release the button once the ceiling fan's light (if installed) flashes on and off. If no light is installed, release the button after 10 seconds.
5. Tap the button on the remote to begin using the fan.

Note: To unpair all other remotes, repeat the previous steps but on step 4 hold the button on the remote for at least 30 seconds.

Note: If installing multiple fans on separate remotes, only the fan being programmed should be connected to power.

Note: If the dimming does not function, flip the dipswitch to DIM.

0/1 Remote

1. Open the battery compartment of the remote and verify that the dipswitch options are “0”/“1”, then insert x2 AAA batteries.

2a. If you have only **one DC fan installed**, set the dipswitch to “0”

3a. Tap the button on the remote to begin using the fan.

4a. If the fan does not respond, press the “Pairing” Button.

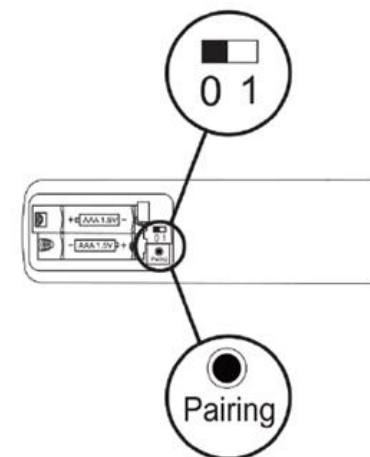
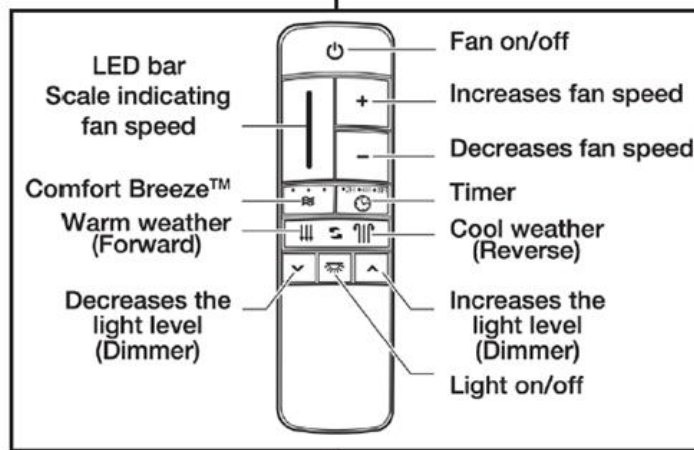
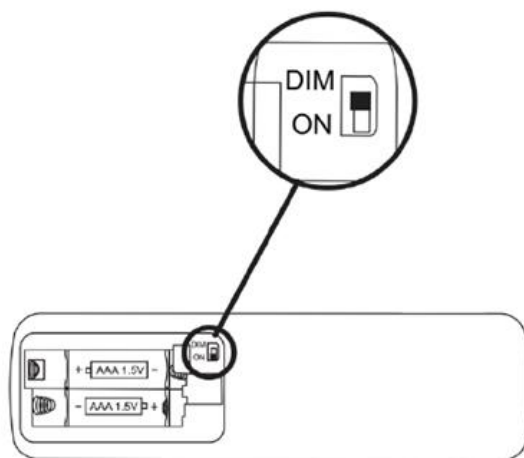
2b. If you have **multiple DC fans installed**, set the dipswitch to “1”.

3b. Turn off power to the fan for a few moments, then restore power.

4b. Press the “Pairing” button. The fan light (if installed) will flash.

5b. Tap the button on the remote to begin using the fan.

Note: To unpair all other remotes, change the dipswitch to “0” and press the “Pairing” button after restoring power to the fan.



⚡ Warning: Risk of Electric Shock. Damaged parts may discharge; handle with care or contact an electrician. ⚡