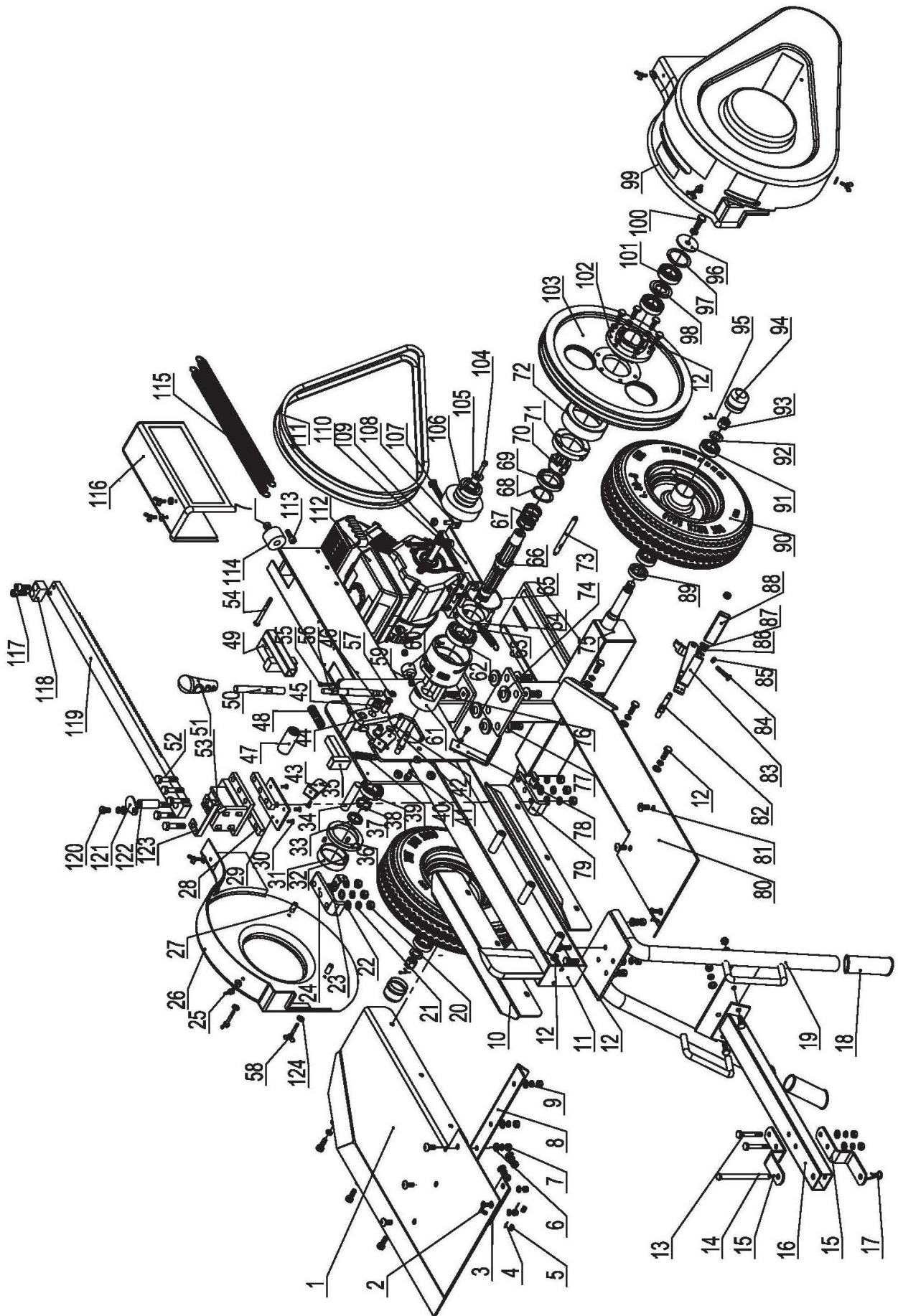


Parts Drawing & Parts List



Parts Drawing & Parts List

Ref#	Drawing No.	Description	Qty
1	LSF2000-00001	Right Worktable	1
2	911608020	Inner Hex Countersunk Head Screw M8X20	4
3	LSF3000-00001	Table-Board Connecting Plate	1
4	9301-08000-DX	Flat Washer Ø8	8
5	9206-08000	Nylon Lock Nut M8	10
6	9301-10000-DX	Flat Washer Ø10	22
7	9206-01000	Nylon Lock Nut M10	24
8	LSF2000-00002	Front Bracket	1
9	9306-10000DX	Lock Washer Ø10	32
10	LSF2000-00003	Log Cradle	2
11	LSF2000-01000	Beam	1
12	9101-10030-8.8DX	Hex Bolt M10x30	20
13	9101-10070-8.8DX	Hex BoltM10x70	2
14	LSF2000-00004	Hitch Pin	1
15	N100-00014	Connecting Plate	2
16	LSF2000-02000	Tow Bar	1
17	9405-03075DX	R Pin Ø3x75	1
18	LSF2000-00006	End Cover	2
19	LSF2000-03000	Front Support Leg	1
20	9206-12000	Nylon Lock Nut M12	8
21	9306-12000DX	Lock Washer Ø12	7
22	9301-12000-DX	Flat Washer Ø12	4
23	LSF2000-00007	Pulling Plate	2
24	LSF2000-00008	Left Press Plate	1
25	9101-06016	Bolt M6x16	9
26	LSF2000-00009	Right Out Housing	1
27	LSF2000-00010	Connecting Pipe	2
28	LSF2000-00011	Guide Plate Right	2
29	LSF2000-00012	Nylon Plate	1
30	9107-06014	Cross Countersunk Head Screw M6x14	4
31	LSF2000-00014	Plastic Cap	1
32	9121-08012	Hex Screw M8x12	3
33	9215-03015-FH	Round Nut M30x1.5	1
34	LSF2000-00015	Axle of Pressure Roller	1
35	LSF2000-04000	Collision Block	1

Parts Drawing & Parts List

Ref#	Drawing No.	Description	Qty
36	LSF2000-00005	Round Nut M74	1
37	9319-30000-FH	Tab Washer Ø30	1
38	9604-30206	Tapered Roller Bearing 30206	1
39	LSF3000-00020	Spring	1
40	LSF2000-00046	Screw	1
41	LSF2000-00043	Bolt	1
42	9306-06000DX	Lock Washer Ø6	5
43	LSF2000-00016	Connecting Plate 1	2
44	LSF3000-08000	Welding Block	1
45	LSF3000-00018	Teleflex	1
46	9304-00014	Circlip for Shaft Ø14	1
47	LSF2000-00017FH	Pressure Roller	1
48	LSF2000-00018	Spring	1
49	LSF2000-06000	Small Square Tube	1
50	LSF2000-00048	Control Handle Assembly	1
51	LSF3000-00028	Operation Handle	1
52	9101-12055-8.8DX	Hex Bolt M12x55	6
53	LSF2000-05000	Push Plate Assembly	1
54	9101-08090-8.8DX	Hex Bolt M8x90	1
55	9101-06035	Hex Bolt M6x35	1
56	LSF3000-00011	Tempering Handle	1
57	LSF3000-00049	Handle Spring	1
58	9101-06045	Wing Nut M6x45	2
59	9105-08025	Inner hex round head screw M8x25	1
60	LSF3000-00035	Crash Pad	1
61	LSF2000-10000	Clutch Base	1
62	9604-30208	Tapered Roller Bearing30208	1
63	LSF3000-00013	Safety Handle Tension Spring	1
64	LSF2000-07000	Rotating Disk	1
65	LSF2000-00021	Steel Cable Baffle Ring Ø101x2.8	1
66	LSF2000-00022	Gear Shaft	1
67	LSF2000-00023	Clutch Spring	1
68	9304-05000	Circlip for Shaft Ø50	1
69	9602-61910	Bearing 61910	1
70	LSF2000-00025	Clutch Tooth Outside	1

Parts Drawing & Parts List

Ref#	Drawing No.	Description	Qty
71	LSF2000-08000	Sliding Block	1
72	LSF2000-00049	Adjustable Washer	1
73	LSF2000-00024FH	Connecting Rod	1
74	LSF2000-00031	Elastic Cushion	4
75	LSF2000-12000	Wheel Stand	1
76	9101-10050-DX	Hex Bolt M10x50	4
77	9302-10000-DX	Large Flat Washer Ø10 (28x11x3)	8
78	LSF2000-00020	Action Handle	1
79	LSF2000-00019	Right Press Plate	1
80	LSF2000-00032	Left Worktable	1
81	9104-10025-8.8DX	Inner hex round head screw M10x25	5
82	LSF3000-00027	Bolt	1
83	LSF2000-00041	Handle Connecting Plate	1
84	9114-08040-8.8DX	Hex Bolt M8x40	1
85	9201-08000	Hex Nut M8	2
86	LSF2000-09000	Safety Handle Assembly	1
87	9104-06016-10.9DX	Inner hex round head screw M6x16	5
88	N560-00019	Safety Handle	1
89	LSP25-14002	Oil Seal	2
90	LSP25-14001	Wheel	2
91	L44643	Tapered Roller Bearing	4
92	9301-20000	Flat Washer Ø20	2
93	LSP25--00020	Hex Slotted Nut M20x1.5	2
94	LSP25-00009-DX	Axle Cap	2
95	9404-04036DX	Cotter Pin 4x36	2
96	LSF2000-00029FH	Large Baffle Ring	1
97	9308-06200	Circlip for Hole Ø62	1
98	LSF2000-00030	Spacer	1
99	LSF2000-00028	Left Out Housing	1
100	9101-12030-8.8DX	Hex Bolt M12x30	1
101	9603-80206	Bearing 80206	2
102	LSF2000-00027	Inner Gear of Clutch	1
103	LSF2000-00026	Flywheel	1
104	9105-5/16-24-1	Inner Hex Bolt 5/16-24-1	1
105	LSF2000-00045	Engine Clutch Sleeve	1

Parts Drawing & Parts List

Ref#	Drawing No.	Description	Qty
106	LSF2000-00033	Clutch 60-2A	1
107	9101-1290-8.8DX	Engine Position Bolt M12x90	1
108	LSF3000-00029	Square Nut	1
109	LSF3000-09000	Engine Base	1
110	8801-4.78*4.78*50	Flat Key 4.78x4.78x50	1
111	9701-A1727	A-1727 Belt	2
112	/	Engine	1
113	9112-10030-8.8FH	Inner Hex ScrewM10x30	1
114	LSF2000-00035	Elastic Bar	1
115	LSF2000-00034	Reset Tension Spring	2
116	LSF2000-00036	End Cover	1
117	9105-12030-8.8FH	Inner Hex ScrewM12x30	2
118	LSF2000-00037	Collision Block	1
119	LSF2000-00038	Rack	1
120	9101-10020-8.8DX	Hex Bolt M10x20	1
121	LSF3000-05006	Pressing Plate	1
122	LSF2000-00039	Pushing Plate Pin	1
123	LSF2000-00040	Cover Plate	1
124	9302-06000-DX	Large Flat Washer Ø6	9