

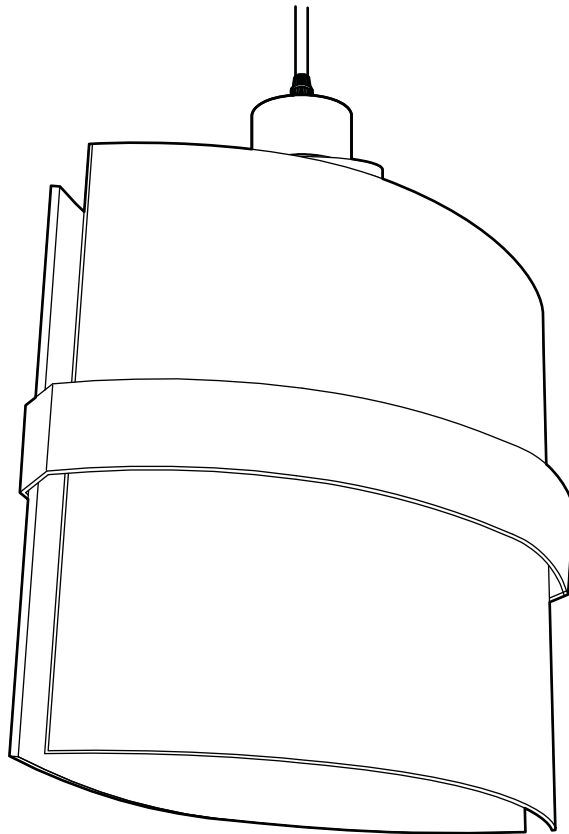


Item #000-000  
Model #03236-4

# INSTALLATION GUIDE

---

## 1 LIGHT PENDANT



Questions, problems, missing parts? Before returning to the store,  
call Hampton Bay Customer Service  
8 a.m. - 6 p.m., EST, Monday-Friday

**1-877-527-0313**

**HAMPTONBAY.COM**

---

### **THANK YOU**

*We appreciate the trust and confidence you have placed in Hampton Bay through the purchase of this light. We strive to continually create quality products designed to enhance your home. Visit us online to see our full line of products available for your home improvement needs. Thank you for choosing Hampton Bay!*

# Table of Contents


Table of Contents.....	2	Tools required.....	3
Safety Information.....	2	Hardware Included.....	3
Warranty.....	2	Package Contents.....	4
Pre-Installation.....	3	Installation.....	5
Planning Installation.....	3		


# Safety Information

Turn off the electricity and read this instruction manual before installation.

The installation must be handled by a qualified electrician with a license.

Ensure that the power is turned off before replacing the bulb and cleaning the fixture.

 **WARNING:** To reduce the risk of fire or injury, use this light indoors only.

 **WARNING:** Risk of electric shock. Do not operate the luminaire with a missing or damaged shield. Do not use if there is any damage to the light or cord insulation. Inspect periodically.

# Warranty

## ONE YEAR MANUFACTURER WARRANTY

### WHAT IS COVERED

The manufacturer warrants this light fixture to be free from defects in materials and workmanship for a period of one (1) year from date of purchase. This warranty applies only to the original consumer purchaser and only to products used in normal use and service. If this product is found to be defective, the manufacturer's only obligation, and your exclusive remedy, is the repair or replacement of the product at the neglect or mishandling. This warranty shall not apply to any product that is found to have been improperly installed, setup, or used in any way not in accordance with the instruction supplied with the product. This warranty shall not apply to a failure of the product as a result of an accident misuse, abuse, negligence, alteration, or faulty installation, or any other failure not relating to faulty material or workmanship. wear and tear.

### WHAT IS NOT COVERED

This warranty shall not apply to any product that is found to have been improperly installed, set-up, or used in any way not in accordance with the instructions supplied with the product. This warranty shall not apply to a failure of the product as a result of an accident, misuse, abuse, negligence, alteration, or faulty installation, or any other failure not relating to faulty material or workmanship. This warranty shall not apply to the finish on any portion of the product, such as surface and/or weathering, as this is considered normal wear and tear. The manufacturer does not warrant and specially disclaims any warranty, whether express or implied, of fitness for a particular purpose, other than the warranty contained herein. The manufacturer specifically disclaims any liability and shall not be liable for any consequential or incidental loss or damage, including but not limited to any labor / expense costs involved in the replacement or repair of said product.

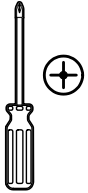
Contact the Customer Service Team at 1-877-527-0313 or visit [www.HamptonBay.com](http://www.HamptonBay.com).

# Pre-Installation

## PLANNING INSTALLATION

Compare all parts with the Hardware Included and Package Contents lists below. If any part is missing or damaged, do not install this product. Call the Customer Service Team at 1-877-527-0313 or visit [www.HamptonBay.com](http://www.HamptonBay.com).

## TOOLS REQUIRED



Phillips  
screwdriver

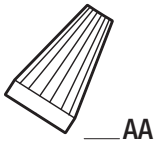


Wire  
cutters

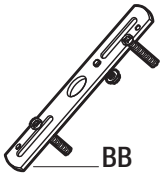
## HARDWARE INCLUDED



**NOTE:** Hardware not shown to actual size.



\_\_AA



\_\_BB



\_\_CC



\_\_DD



\_\_EE



\_\_FF

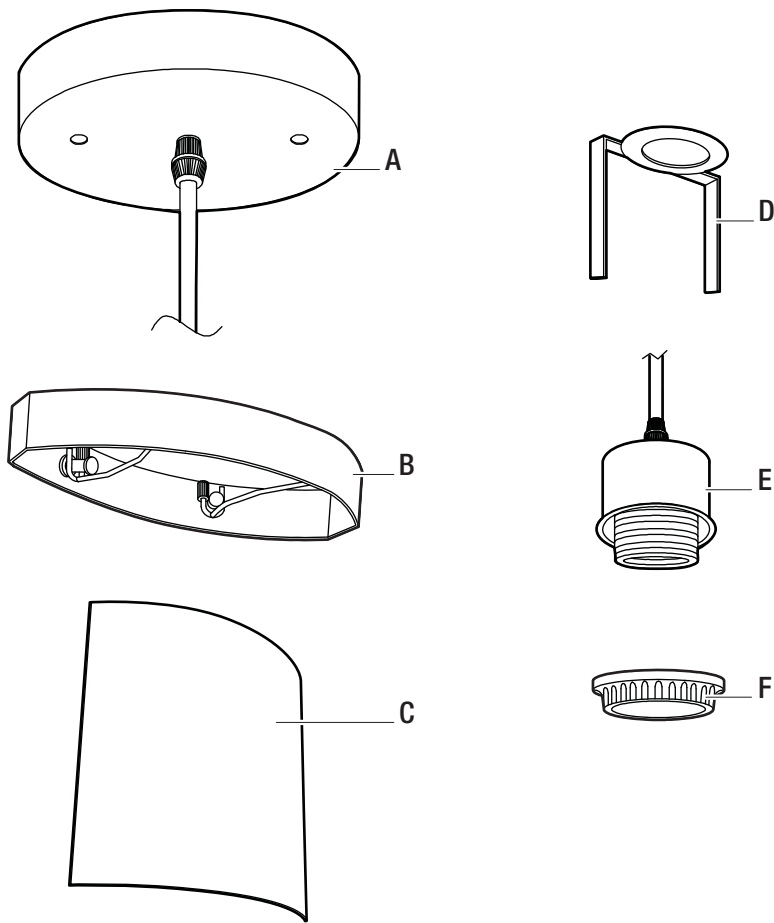
Part	Description	Quantity
AA	Wire connector	3
BB	Mounting bar with screws	1
CC	Mounting screw	2
DD	Mounting nut	2
EE	Rubber washer	4
FF	Nut	4

# Pre-Installation (continued)

## PACKAGE CONTENTS



**NOTE:** This product does not come with a bulb. You will need to supply one 60-Watt max. Type A bulb or energy saving equivalent (LED or CFL).

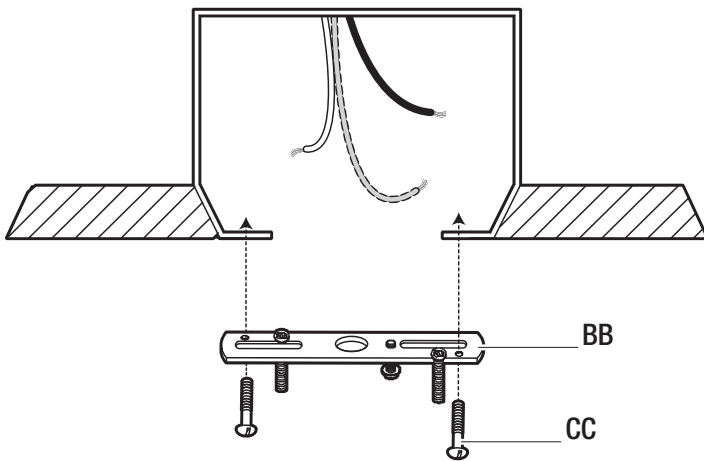


Part	Description	Quantity
A	Canopy	1
B	Frame	1
C	Glass plate	2
D	Steel bracket with decoration	1
E	Socket	1
F	Socket ring	1

# Installation

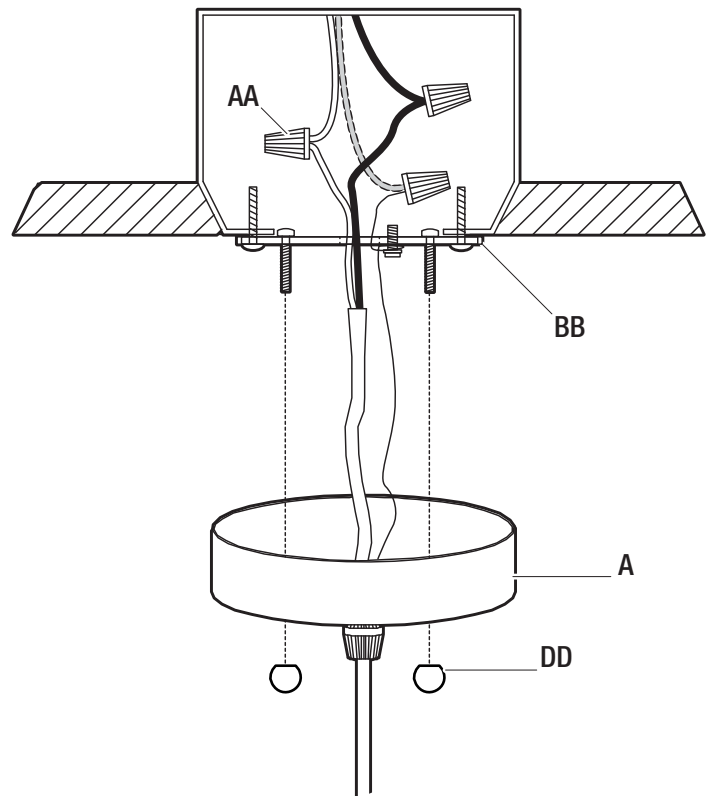
## 1 Installing the mounting bar

- Attach the mounting bar with preassembled screws (BB) to the outlet box using the mounting screws (CC). Ensure the preassembled screws are pointing down from the outlet box.



## 2 Connecting the wires

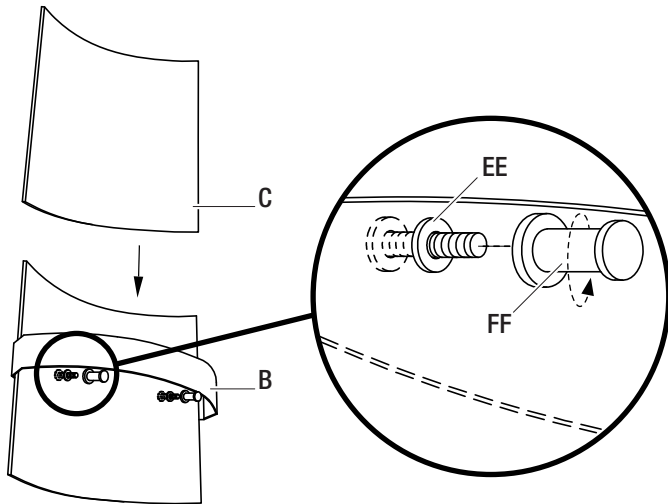
- Connect the "L" live wire from the light to the black live wire from the main power supply. Connect the "N" neutral wire from the light to the white neutral wire from the main power supply. Connect the earth (ground) bare copper wire from the light and the green earth (ground) wire from the main power to the green screw on the mounting bar (BB).
- Connect each wiring connection using wire connectors (AA) and gently tuck all connections into the outlet box.
- Fasten the canopy (A) to the mounting bar (BB) by inserting the canopy (A) through the screws of the mounting bar (BB) and securing in place with the nuts (DD).
- To adjust the fixture to your desired hanging length, unscrew the nut on the canopy (A) and then shorten or lengthen the fixture cord to the desired length.



## Installation (continued)

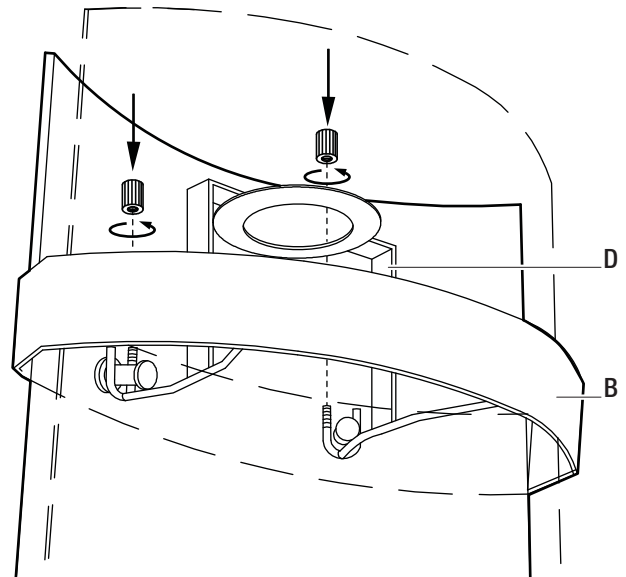
### 3 Attaching the glass shades to the frame

- Attach the glass plates (C) to the frame (B) with rubber washers (EE), and nuts (FF).



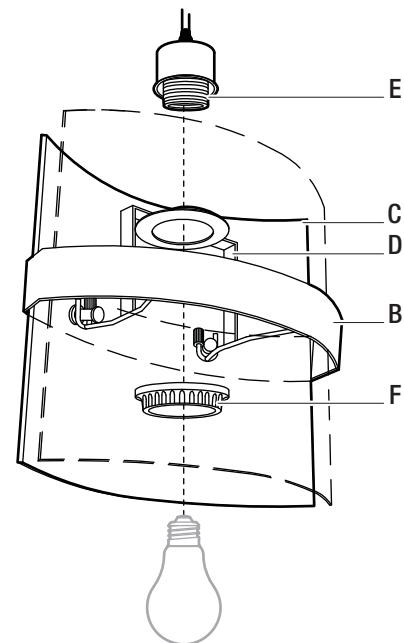
### 4 Attaching the steel bracket to the frame

- Attach the steel bracket with decoration (D) to the frame (B) using the nuts that are preassembled to the steel bracket (D).



### 5 Installing the bulb

- Attach the frame (B) to the socket (E) using the socket ring (F).
- Install the bulb (not included) into the socket (E).
- Verify that the installation is complete and turn on the power.





Questions, problems, missing parts? Before returning to the store,  
call Hampton Bay Customer Service  
8 a.m. - 6 p.m., EST, Monday-Friday

**1-877-527-0313**

**HAMPTONBAY.COM**

Retain this manual for future use.