

homeward**b**ath

Contemporary Steam Rooms Models: M6027, M6028 & M6030

Installation & Operation Manual



RIGHT HAND UNITS PICTURED

In order to operate and use the product properly, please follow all instructions provided in this User's Manual. Our company reserves the right to change the Manual at any time. The manual takes effect the date it's published. This manual shall prevail if there is any difference between this and previous documents and manuals.

Table of Contents

NOTICE TO INSTALLERS	3
PACKING NOTE	3
ASSEMBLED PRODUCT DIAGRAM	3
PRODUCT FEATURES	4
TECHNICAL INFORMATION	4
PLUMBING REQUIREMENTS	4
GENERAL INFO	4
PARTS LIST	5
SECTION PICTURE OF RUBBER SEAL.....	5
INSTALLATION INSTRUCTIONS.....	6
Door Installation Help for M6027 & M6028	9
Door Installation Help for M6030	9
PFISTER HANDLE ASSEMBLY	10
TRIM FLANGE ATTACHMENT	10
HANDLE ATTACHMENT	10
TEMPERATURE ADJUSTMENTS	10
MAINTENANCE & CARE.....	11
Disassembly:	11
Cleaning instructions:.....	11
TROUBLESHOOTING TIPS	11
CLEANING CARTRIDGE	11
FAUCET FUNCTION AND USAGE	12
CLEANING AND MAINTENANCE	12
USING THE STEAM GENERATOR CLEAN OUT VALVE	12
BF1101 CONTROL SYSTEM FOR MA602X SERIES	13
BF1101 DESCRIPTION OF FUNCTIONS	14
S198E KEYPAD USER MANUAL.....	16
KeyPad Diagram	16
KEYPAD OPERATIONS INSTRUCTIONS.....	17
ADDITIONAL INFORMATION	19
WARRANTY INFORMATION & REGISTRATION	19

NOTICE TO INSTALLERS

1. The overall height from the ground to the ceiling has to be minimum of 85in for the enclosure.
2. The water pressure has to be more than 55-75 psi and, if the pressure is lower than required, you may install a booster to the water supply.
3. Please use a 20-amp 220V GFI breaker for the electrical connection.
4. We advised to have an access panel installed on the side of the electrical/water connections for maintenance and service.
5. In the parts box is a roll of a foam type tape with one side that has an adhesive on it. This should be placed in the bottom channels of the base where the glass panels rest.

Manufacturer reserves the right to change specs or features at any time. Please check to confirm details. 1-866-783-2661

PACKING NOTE

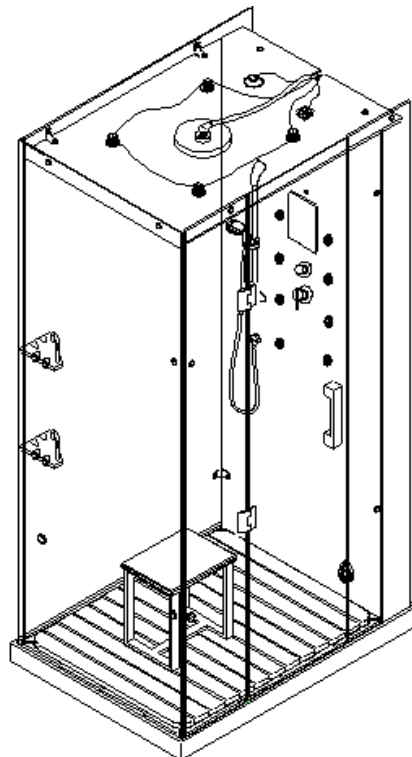
1. When first opening the boxes, please make sure everything is in good condition, especially if any visible damage has been done to the package, please contact Steam Planet immediately with photographic documentation of the damage.
2. Make sure all water and electrical components are up to local and national standards.
3. Two installers are required for these units.
4. Here are the tools you may need for installation:



Rubber mallet wrench level tape measure screwdriver pencil 4mm allen wrench

ASSEMBLED PRODUCT DIAGRAM

M6027/28 Right Illustrated



PRODUCT FEATURES

- Two-person Steam and Shower Enclosure
- Low Threshold 2.75" H Base included
- 3.5kW Quick heating Self-Draining Steam Generator w/Steam Aromatherapy Cup
- 8 Body Massage Jets
- Hand-held Shower w/ Various water massage settings & adjustable height bracket
- 8 in. wide water-drenching Rainfall Shower
- UPC CERTIFIED Thermostatic / Anti-scald Faucet
- "Special Process" Black Tempered Glass walls and front Clear Glass
- Built-in Control Key Pad
- FM Radio
- Bluetooth
- "Chromotherapy" LED multiple Color Lighting
- Waterproof Shower Grid
- 2 Removable Benches
- Circulation Fan for moving steam throughout the shower
- Accessory Rack
- Hinged door
- Available in Black or White, Left or Right Controls

TECHNICAL INFORMATION

- ✓ Materials: tempered glass
- ✓ Power supply: 20amp, 220V GFCI breaker, 1 dedicated 12-2 line for steam (line 1, line 2, and ground)
- ✓ Steam ready: 5-7 MIN
- ✓ M6027 Dimensions: 59 x 32 x 84.5H in
- ✓ M6028 Dimensions: 59 x 40 x 84.5H in

PLUMBING REQUIREMENTS

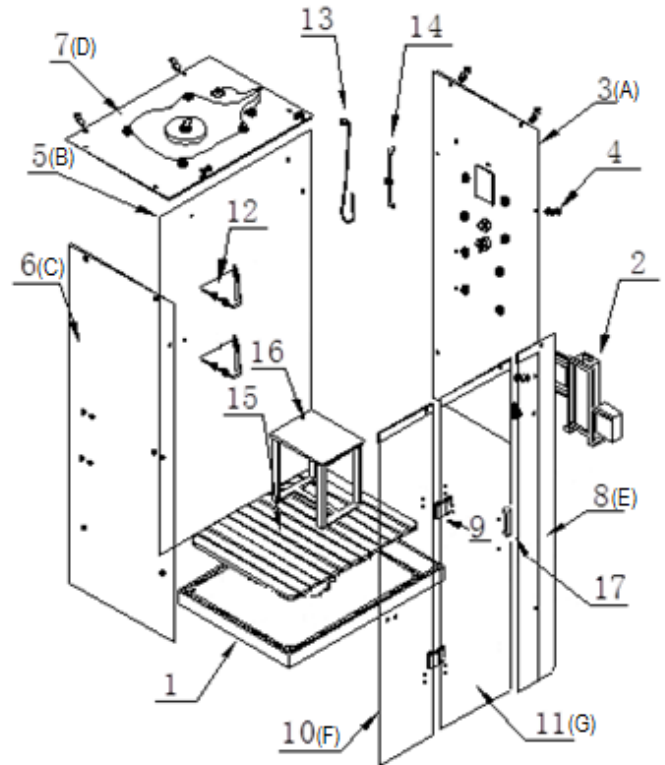
- ✓ The unit is equipped with 3 ft. hot and cold, metal braided water supply hose with ½-inch national pipe thread to connect from faucet/manifold (Manifold is located. 4 ft. high on rear of unit) to the shutoff valves (should be installed where they can be accessed). Note: base edge sets directly against back and sidewall. Do not install any pipes along walls as to impede the base from setting flush against them.
- ✓ Install hot and cold shutoffs with ½ -inch male national pipe thread (not included). Install shutoffs where they can be accessible.
- ✓ Access panel near controls, pumps, and jets is recommended
- ✓ All fixtures and fittings must be checked for tightness as they may have been loosened during transport.

GENERAL INFO

- ✓ User's electric must meet national safety standard for voltage and frequency. Power supply shall be consistent with the parameters marked on the product.
- ✓ The ground should always be connected to the system.
- ✓ The power supply must be shut off when in use. Water must be shut off when leaving for more than 2 days' time.
- ✓ We advise to use a water filtration system for the steam generator unit. One Recommended filtration system is **Whirlpool WHKF-DWHV**.

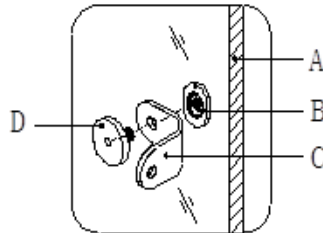
PARTS LIST

1. Base
2. Electrical Control module
3. Control panel (Glass A)
4. 90-degree bracket
5. Large back panel (Glass B)
6. Left fixed glass (Glass C)
7. Top (Glass D)
8. Right fixed glass door (Glass E)
9. Hinges
10. Left fixed glass door (Glass F)
11. Movable glass door (Glass G)
12. Shelves
13. Hand shower
14. Hand shower Holder
15. PVC grids
16. Seat (2)
17. Door Handle



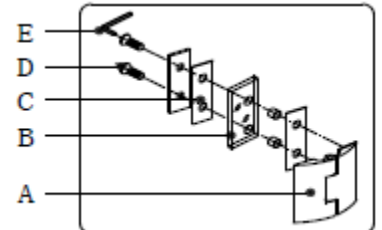
Glass angle bracket installation instruction

- A. Glass panel
- B. Threaded Connector
- C. Angle Bracket
- D. Connecting Bolt

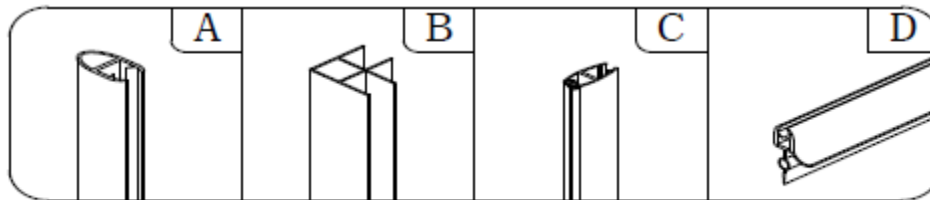


Hinge installation instruction

- A. Hinge
- B. Glass door
- C. Gasket
- D. Screw
- E. Allen wrench



SECTION PICTURE OF RUBBER SEAL



A. Half-moon shape seal B. Corner seal C. Magnetic seal D. Door bottom seal

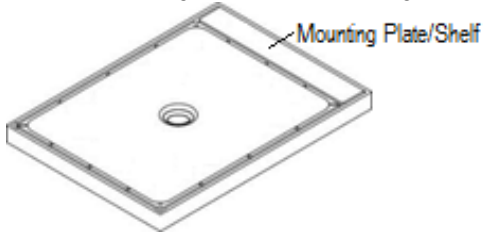
*Diagram shows Right-hand unit; hinges are located on different side for different models.

1-866-783-2661 Customer Service

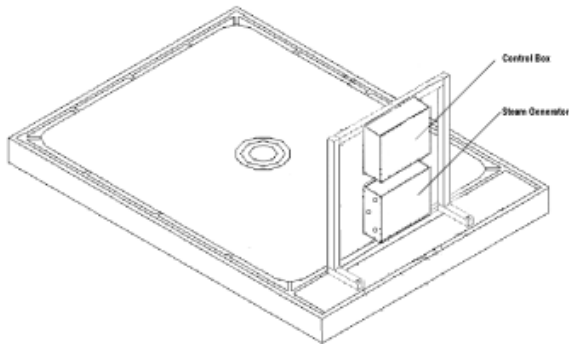
INSTALLATION INSTRUCTIONS

Note: Confirm the drain setup. When installing, make sure each panel is level, plumb & 90-degree before securing completely.

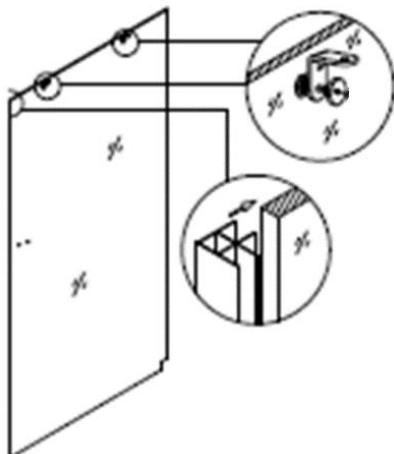
1. Place shower tray in the corner where it will be permanently located. Note: The handing (R/L) of your unit determines which side the 5in mounting plate/shelf goes (ie: A right handed unit has the mounting plate/shelf on the right side).



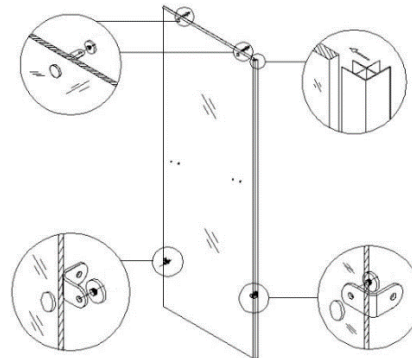
2. Determine placement of Steam Generator, water and electric supply.
3. In the parts box is a roll of a foam type tape with one side that has an adhesive on it. This should be placed in the bottom channels of the base where the glass panels rest.
4. Make sure the installation holes for the electric parts and the steam generator are lined up with installation holes; connect it with Hex bolts. **Base must be set in Thinset or other support material.**



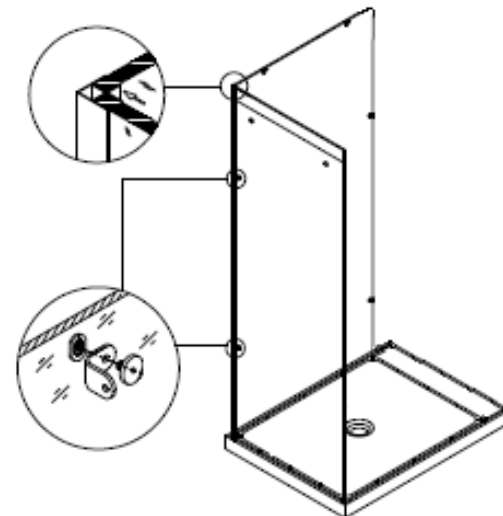
5. Install the corner gaskets on left and right sides of the large back panel B and trim, then install the angle bracket to the holes on glass B (black back panel). Connect with screw. *Note: Attach glass shelf brackets to back of panel B before proceeding.*



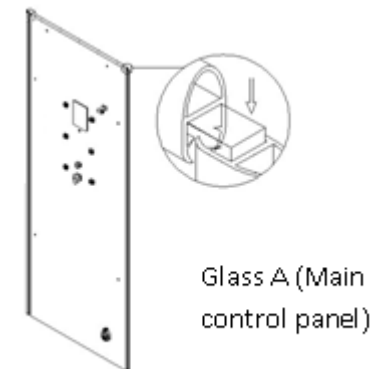
6. Install angle brackets to the glass panel (C). Install the angle bracket to the holes on glass, panel C. Refer to picture below. *Note: Attach glass shelf brackets to back of panel C before proceeding.*



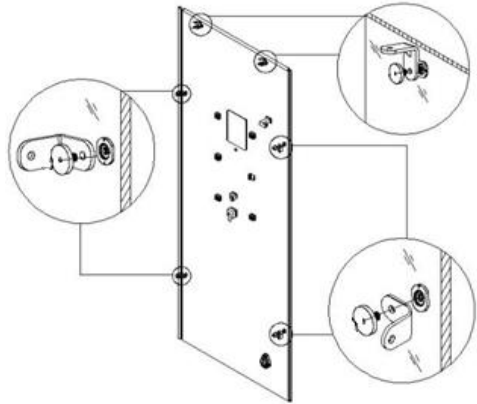
7. Place glass C into the slot onto the base and insert into the corner seal of glass B. Note: Glass B is the large black panel, and glass C is a black side panel. Line up the installation holes and connect glass B and glass C. *Note: Use Windex for lubricant.*



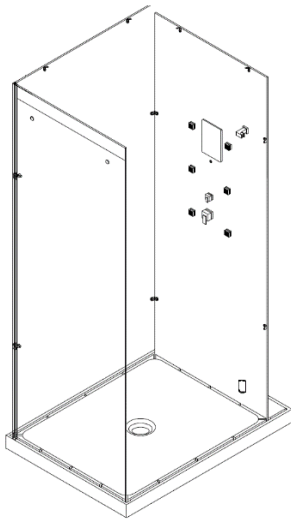
8. Insert the half-moon shaped rubber seals onto the right side (outside facing edge), and top edge of glass A. Note: top gasket may be already installed on the panel.



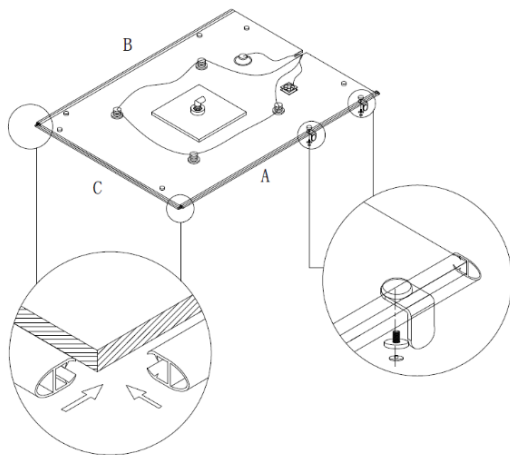
9. Install angle brackets over the installation holes of glass A, connect with connector bolts (make the connection snug, but loose enough to make adjustments.)



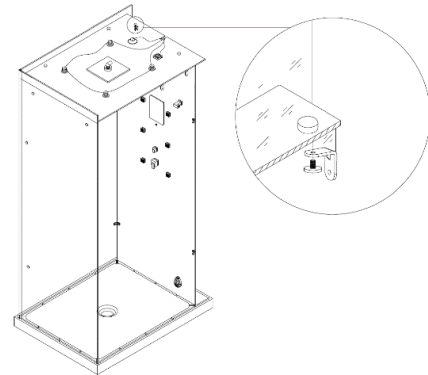
10. Place bottom edge of glass A into the slot on the base as shown. A small amount of soap or lubricant on the gaskets will help with installation.



11. Assemble the half-moon shaped seals on the sides A, and C of glass D (top), if needed. See illustration below. Attach angle brackets to glass panel D. *Note: The fan and speaker side of the glass will hang over the main control panel.*

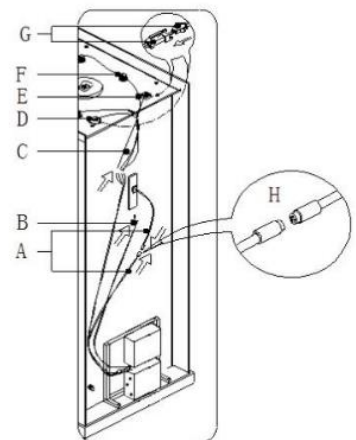


12. Place glass D (top) on the top of the unit, align connecting holes with glass D to glass panels A, B, and C. Use connector bolt to connect. Please refer to illustration below.



13. Electrical Connections: The wires for the fan, speaker, and light are labeled. Make the corresponding connections from the accessory to the wire coming from the control box. *Note: Be cautious when making this connection. The pins of the connector can easily bend if connected improperly!

- A: Wire for control panel
- B: Temperature Sensor
- C: Wire for speaker/fan/light
- D: Speaker
- E: Fan
- F: Lights
- G: Connecting terminal for light/fan/speaker
- H: Control panel connecting terminal



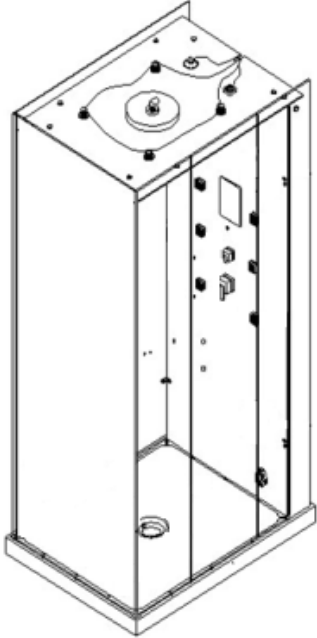
14. Water Connections: Connect the rainfall showerhead water line to faucet, screw in. Also, connect the light, fan and radio. Then locate the middle water pipe, which is under the faucet, and connect it to the steam box water inlet. Secondly, connect the black foam steam line, which is on the side of the steam box, to the steam outlet. Connect steam box drain line to the steam outlet drain. Finally, connect the cold and hot water lines to the water manifold, the red one is for hot water, while the blue is for cold.

- A: Steam outlet
- B: Black steam hose (insulated)
- C: Diverter
- D: Rainfall shower head supply

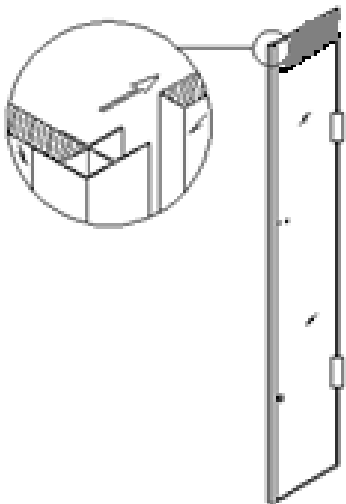
15. In the box that contains the electronic components, there is a grey hose with a "T" and three ends. This is the drain system for the steam generator. Its connection is as follows. One end of the hose is connected to the steam generator where it is

labeled steam generator drain, the second end is connected to the small plastic stub sticking out the glass panel right below the steam line connection and the third and last connection of the hose goes the 90 degree barbed fitting about 6 inches below the steam outlet.

- Attach glass panel E which has a black stripe across the top and side to glass panel D and A. *Note: On the front panel E there is a "notch" on the bottom. It is imperative the notch be moved as far as the base will allow; this should give you an overhang of the side panel over the base about 1/8 to 3/16 in. If you do not have the glass positioned with the overhang there will not be enough space between the door and the side panel to enable the magnetic strips to make proper contact.*

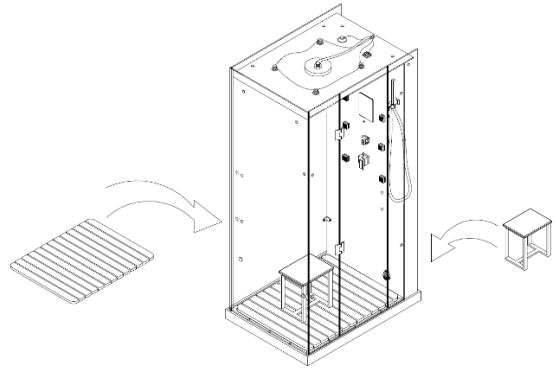


- Insert the corner seal and corner brackets on the left side of glass F (will have holes for door hinge) attach to panel D & C with angle brackets and connector bolts. Attach door hinges and door Panel G.

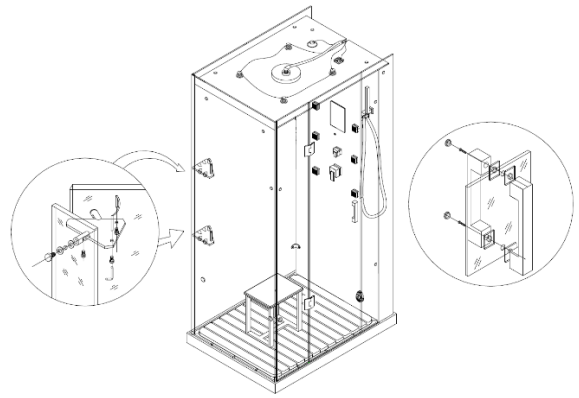


Note: Read the Door Installation Help on page 9.

- Put the wood floor grids in the shower tray and benches in the unit. Attach flexible waterline to outlet on panel A and the other end to the handheld shower wand. Attach to the bracket. *Note: the hex nut of the water line goes on the panel outlet.*



- Attach handle to the door and shelves to panels B and C.

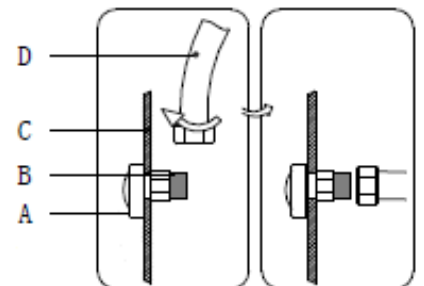


- This gasket must go between the magnetic gasket and the bubble gasket on the hinge side. The magnetic gasket and bubble gasket must extend down to almost touching the base top otherwise there could be some leaking.



- Steam Cup Connection Diagram

A: Steam outlet
 B: Steam line
 Connector
 C: Glass
 D: Steam hose



Door Installation Help for M6027 & M6028

When assembling the MA 60XX series units, the door can sometimes be the most challenging aspect of this unit. Following these few tips can make the installation much easier.

First note, on one or two (depending on the model) of the glass panels is a “notch” on the bottom. It is imperative the notch be moved as far as the base will allow; this should give you an overhang of the side panel over the base about 1/8 to 3/16 in. If you do not have the glass positioned with the overhang there will not be enough space between the door and the side panel to enable the magnetic strips to make proper contact.

When installing the panels together, make sure the panels are straight up and down and at 90-degree angles to each other. The panels can be put together slightly off but when you go to install the door you will have some difficulty. Make sure the edges are straight up and down on all the panels especially the panels that will form the door.

Once you have followed the above procedures following these instructions will make installing the door easier. When you take the hinges out of the box you will notice there are quite a few plastic spacers attached to the hinges. Make sure you place ONE spacer between the metal hinge body and the door on both sides of the hinges EXCEPT the bottom outside hinge on the stationary panel. That hinge and only that hinge gets two spacers (the bottom outside only.) Putting the extra spacer on the bottom will eliminate most of the problems with the door closing properly.

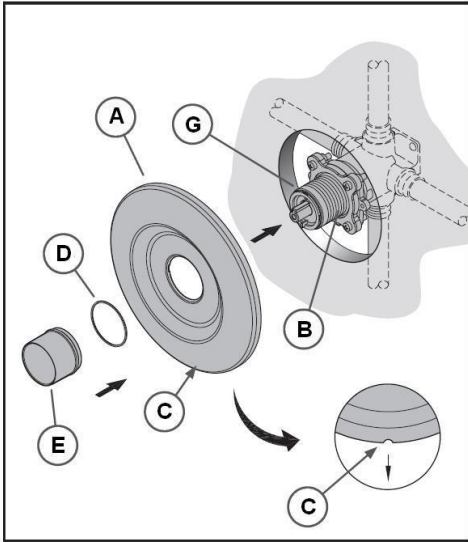
Note

Slamming and quickly closing the door will sometimes pop open the door. You have to slowly close the door, the unit is sealed pretty well because it is a steam room, the only way for air to get out is through the fan opening in the top, so if you quickly close the door, the air can compress and force the door open until the pressure is equalized, slowly closing the door will allow the air to escape. Also, the fan is not an exhaust fan it is a recirculating fan, it blows air into the unit so having it on will not help closing the door.

Door Installation Help for M6030

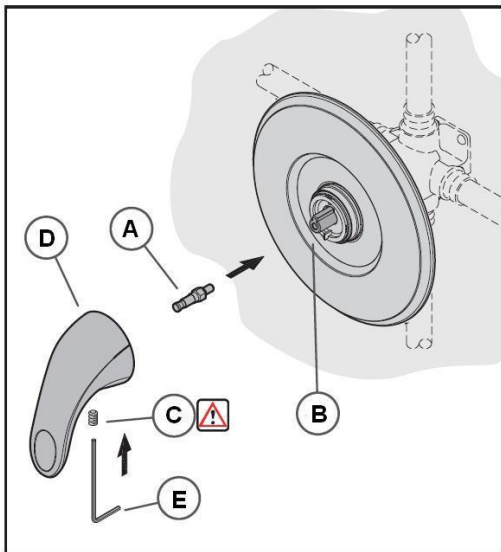
Attach wheels onto the door. They are facing the outside of the unit. Place the door inside the M6030 unit. Standing between the door and large back panel. Lift up on the door slide the door rollers in the track on top and make sure the bottom is between the guides and base. Adjust the door so it closes properly by tighten the adjustment screws on the bottom of each roller body (small set screw). Raises and lowers the rollers position.

PFISTER HANDLE ASSEMBLY



TRIM FLANGE ATTACHMENT

Position Flange (A) on the Valve (B) with drain hole (C) at the bottom. Place Protective Washer (D) on the short end of the reversible Retainer Sleeve (E). Screw Retainer Sleeve (E) onto threaded section of the Stem and Bonnet (G). Tighten Retainer Sleeve (E) by hand until Flange (A) is snug to finished wall surface. If the short end of the Retainer Sleeve (E) is too short, reverse it to use the longer end.

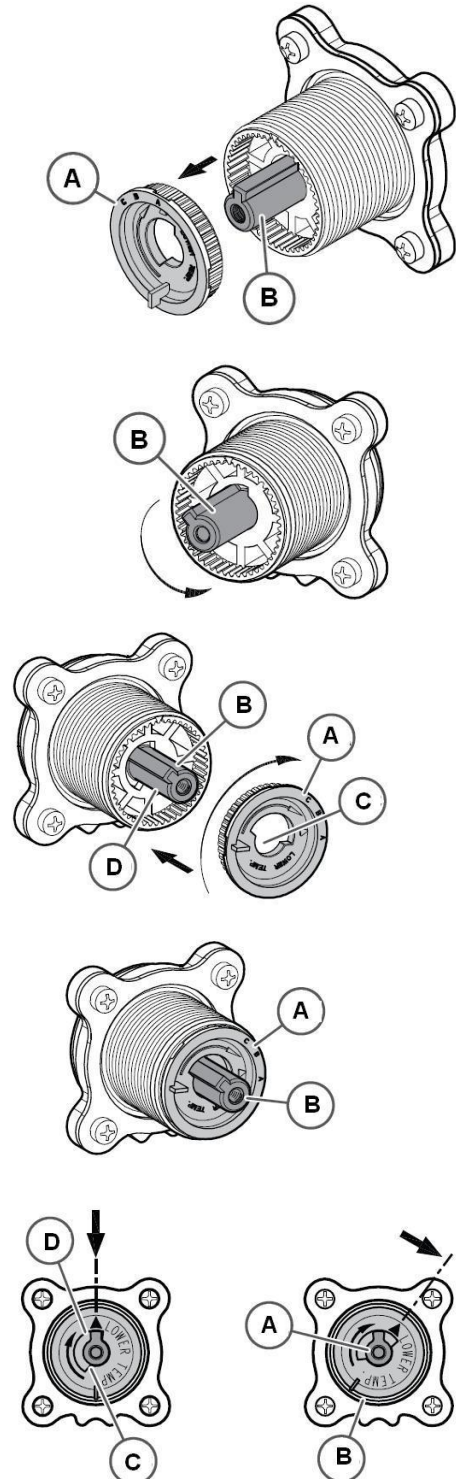


HANDLE ATTACHMENT

Screw Stem Extender (A) onto the Valve Stem (B). Thread the Set Screw (C) into the Handle and thread it in only three or four turns. With valve in CLOSED position, place handle (D) onto the Stem Extender (A) and tighten the Set Screw (C) by using the Hex Wrench (E) that is provided.

Note: Make sure Set Screw (C) is securely tighten to handle (D).

TEMPERATURE ADJUSTMENTS



FULL TRAVEL

LIMITED TRAVEL

Adjustment gear (A) is factory-set to prevent stem from reaching full hot position. To adjust stem rotation: remove adjustment gear (A). Rotated stem (B) counterclockwise to determine a maximum desired temperature. Replace gear aligning adjustment stop (C) to stem tab surface (D) to stem (B) cannot move beyond adjustment point.

MAINTENANCE & CARE

Disassembly:

1. Replacement parts may be available at Lowes or Home Depot.
2. When replacement parts are not available, please write or call Price Pfister Consumer Service.
3. Always turn off water and release pressure before working on your faucet.

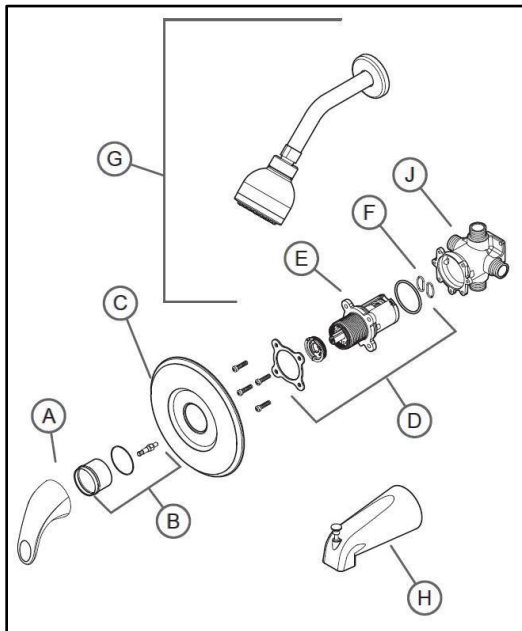
Note: Trim Care

Cleaning instructions:

For all Handles and decorative finishes, use only a soft damp cloth to clean and shine. Use of polish, detergents, abrasive cleaners, organic solvents or acid may cause damage. Use of other than a soft damp cloth will nullify the warranty.

Trim products which contain porcelain or other similar substances are not acceptable for public areas or commercial use. Installation of said trim is at users' risk!

TROUBLESHOOTING TIPS



Temperature or flow does not remain consistent.

The cartridge assembly (D) may need cleaning. Shut off water supply. Remove handle assembly (A), unscrew retainer sleeve (B) and remove flange (C). Remove cartridge assembly (D) and inspect cartridge (E) and inlets for debris or sediment and flush with water. Reassemble the whole unit and test. If problem persists you may need to replace the cartridge.

Sleeve (B) is too short.

Extension kit 910-563 is available at a nominal charge for valves which have been roughed-in too far back in the wall. The kit contains a one-inch stem extension, and a sleeve which is one inch longer than the 972-300.

Dripping from either the tub spout or shower head.

Clean the cartridge assembly (D). Check to ensure the two oval O-Rings (F) on the back of the cartridge (E) are in place. Reassemble cartridge, stem and bonnet assembly and handle. Turn on the water and test. If the unit still leaks, replace the cartridge (E).

Make sure that both hot and cold-water inlets are turned on. Water flow is very low.

Check the cartridge assembly (D), for debris. Sediment where the water enters the shower head (G) can also cause this symptom.

Water starts out hot and becomes cooler as handle is rotated counter clockwise.

This is a potentially hazardous situation and should be corrected before using the unit. Check the hot and cold inlet positions (hot-left, cold-right). If you have a back to back installation, (where hot and cold inlets are reversed) refer to valve body instruction sheet for back to back installation.

Water flows from the shower head while filling the tub.

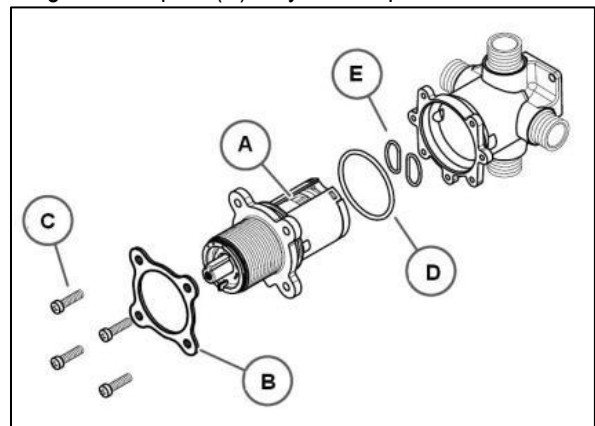
Check the position of the valve body (J). The letters SHWR should be vased into the top and TUB on the bottom.

Water doesn't get hot enough.

Remove hand (A), sleeve (B) and flange (C) and then refer to valve body instruction sheets for adjusting temperature range.

Water flows from the tub spout while using the shower.

The seal inside of the diverter mechanism may have become dislodged. The spout (H) may need replacement.



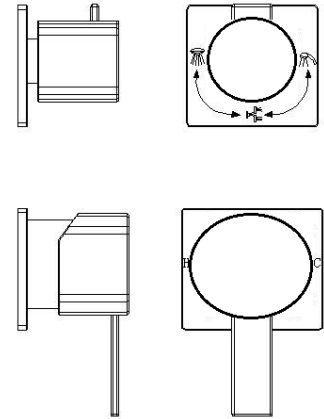
CLEANING CARTRIDGE

If temperature or flow does not remain constant, the cartridge assembly (A) must be cleaned. Shut-off water supply. Remove trip assembly (not shown). Remove screws (C), backup plate (B) and cartridge assembly (A). inspect inlets for sediment and flush with water. Inspect O-rings (D & E) for damage. Re-install cartridge assembly (A) and backup plate (B) then turn on water supply. If the problem persists replace cartridge assembly (A).

CAUTION: Do not disassemble cartridge (A).

FAUCET FUNCTION AND USAGE

- Water Diverter handle
 - Turn the diverter handle according to the signs marked on its face.
- When you use the hand held shower, turn the knob to the hand held shower sign;
- When you use the massage jets, turn the knob to the back-massage sign.
- When you use the rainfall shower head, turn the knob to the rainfall shower sign
- Cold Water and Hot:
 - Turn the faucet to left and right to increase/decrease the water temperature.



CLEANING AND MAINTENANCE

- Liquid detergents and soft cloth should be used. DO NOT clean with acetone and ammonia detergents on fixtures. Do not use detergents with formic acid or formaldehyde. Do not use any abrasive cleaners.
- Mineral deposits/scaling on surface can be cleaned by soft cloth with heated vinegar.
- After every 30 uses, we suggest you to clean the steam generator.
 - Make a solution mixed with 1.5-1.7 liter of warm water and 5-10 grams of citric acid. Or, use straight white vinegar. Pour the solution into the steam generator through the cleaning valve on the inside of the shower. Turn it on after 8 to 10 hours; wait for it to be discharged as steam.

USING THE STEAM GENERATOR CLEAN OUT VALVE

Shut off the water supply to the unit, if you don't when you unscrew the cover water will spray all over.

Unscrew the cover to the valve,

Have the cleaning solution ready Citric Acid about 2 to 3 cups

Start steam generator – (set the temperature to the highest) the water valve will open and will allow you to pour the cleaning solution into the valve.

The valve will open and close several times to fill the steam generator. Keep filling the valve, once the tank is full the valve will stop opening and closing, shortly after steam will start to come out the steam outlet. As the solution is used the valve will start to open and close again. Let it cycle a few times and keep filling the valve.

After the steam Generator has been running a few minutes, shut off the power AT THE CIRCUIT BREAKER. If you use the key pad, the steam generator will drain after a few seconds and the solution will not have had enough time to work.

After 30 minutes or so, replace the cover on the valve, turn on the water supply and power and start the steam Generator as usual. You can let the unit run for

about 1 minute, shut off the power (at the keypad) and wait about 10 minutes for the solution to drain from the steam generator. After that, you use the unit as usual.



BF1101 DESCRIPTION OF FUNCTIONS

Not in the same order above


1. ON/OFF Key

Under ON state, press "ON/OFF" Key on the panel to start the system, and the top light is turned on, all functions are activated on the panel, the back light is on, LCD shows the ambient temperature and all icons are lit; press the "ON/OFF" to shut off the system.

Press other keys except "ON/OFF" key under standby and OFF state, the backlight will come on, if the systems is not turned on, the backlight will be turned off in 30 seconds.

Following functions are available when the system is on:


2. Circulation Fan:

Press  key on the panel to start the fan the icon will light up on the LCD screen. Pressing the fan key again, will shut down the circulation fan. This function circulates the steam throughout the enclosed shower space. No special exhaust needed for this function.



3. Steam Temperature and Time Setting:

Press TIME & TEMPERATURE key on the panel so that temperature icon is on the screen, system will enter into steam temperature setting state. Press "+" or "-" key to increase or decrease temperature. The temperature range is 25-60°C (77-140°F); press this key again to enter into time setting state. The time range is 1-99 minutes. If time or temperature is not adjusted within 5 seconds, the system will automatically recover to display room temperature.

4. Steam:

Press  key on the panel. The default steam time is 45 minutes, and the highest temperature is 45°C (113°F). By pressing the steam key again, the steam system will shut off.

5. CD/FM Function:

Press  key on the control panel or remote to activate the FM Radio, the corresponding icon will light up on the control panel. The system will automatically switch to the previous frequency. Pressing this key the second time, will switch the function to CD mode. The display will show the corresponding icon. Pressing the  again will shut off the system.

6. Volume Adjustment:

When the speaker is ON, pressing the "+" or "-" on the key panel to increase or decrease the volume. When changing the volume, the LCD monitor will display the corresponding changes.


7. Frequency or Channel Adjustment:

When the radio is ON, press the "TUN" key to adjust the frequency (radio channels). Pressing the "+" or "-" button once, will increase or decrease the frequency by 0.1MHz, holding it for 1 minute will automatically search channels. The search will stop once the next station is found, and the LCD panel will display the corresponding channel. When the system displays channel, press "+" or "-" key to adjust channels, the range is 1-25 channels.

8. MEM, HZ, CH Selection Key:

When radio in ON, press “MEM” key to select radio frequency (H) or channel (CH). Hold this key to store the correct frequency into channel, LCD display will show “MEM” when stored.

9. Telephone Function *(Operational only when is plugged in or available):*

When there is an incoming call, telephone will ring, system will automatically shut off the radio/CD. Press  key on the panel to stop the ring and receive the phone call. LCD display will show the telephone icon; also, the shower functions will automatically shut off. Press phone key again to end the call. (You cannot dial out)

10. Mood Light:

Top light will turn on when the system is activated. Press the Light key on the panel or remote control to turn on or turn off the mood light.

S198E KEYPAD USER MANUAL

KeyPad Diagram



1.Crystal display
2.Power button

3.Shuttle switch
4.Volume adjust button

5.Previous
6.Next

KEYPAD OPERATIONS INSTRUCTIONS

Press on button – Keypad will light up

NOTE: When keypad has not been used for 30 seconds the locked symbol on the right side of the keypad will light up. To get out of locked mode press the Shuttle

Knob

If you rotate the Shuttle Knob and it doesn't move, make sure it is not in the locked mode. Rotate the Shuttle Knob and the Various options will become highlighted on the Crystal Display (keypad). When you get the option you want Press the Shuttle Knob to select a particular mode

For example: To start up the Steam Generator

To start the steam generator, turn the Shuttle Knob to steam, press the Shuttle Knob and the Steam on the Crystal Display will light up and the steam room temperature will be displayed. A default Time and Temperature will be displayed near the bottom of the Crystal Display. In order to change the time and/or Temperature the Steam Generator must be on. To change the temperature for the steam room, Press the Shuttle Knob, then rotate the Shuttle Knob to highlight the

Temp

Press the Shuttle Knob to engage the temp control and rotate the Shuttle Knob to the desired room temperature, press the Shuttle Knob to set the temperature. To change the time (duration of the steam setting), Rotate the Shuttle Knob until the Timing on the Crystal Display is highlighted, press the Shuttle Knob to engage the timer and rotate it to the desired time. Press the Shuttle Knob to set the time.

The Steam Generator has an automatic draining system that will engage automatically about 6 minutes after the power is off

To operate the various other options on the Crystal Display, see below.

Spray: Not applicable

The Light: will come on when the off/on button is pressed. If you wish to turn on or turn off the light, rotate the Shuttle Knob until the Light is highlighted on the Crystal display and press the Shuttle Knob to turn the light on or off.

The Fan: can be accessed the same way as the lights, (it does not come on automatically). The fan is NOT an exhaust fan but a recirculating fan. Steam rises so the fan should be on to force the steam to the lower area of the steam room.

Sterilizer: Not Applicable

Radio Function:

Rotate the Shuttle Knob until the Radio is highlighted, press the Shuttle Knob and the radio will come on. Next rotate the Shuttle Knob until the Tune is highlighted Press the _____ to find radio stations at higher frequencies and press _____ to lower the radio frequencies. Once you have located your desired station, press the Shuttle Knob to lock it in. The Mhz will be displayed. To Manually find a station Make sure the Mhz is flashing by making sure the tune is highlighted and pressing Shuttle Knob. The Mhz will start to flash then you can then rotate the Shuttle Knob to the particular station. Once you have found your particular station press the Shuttle Knob to set it.

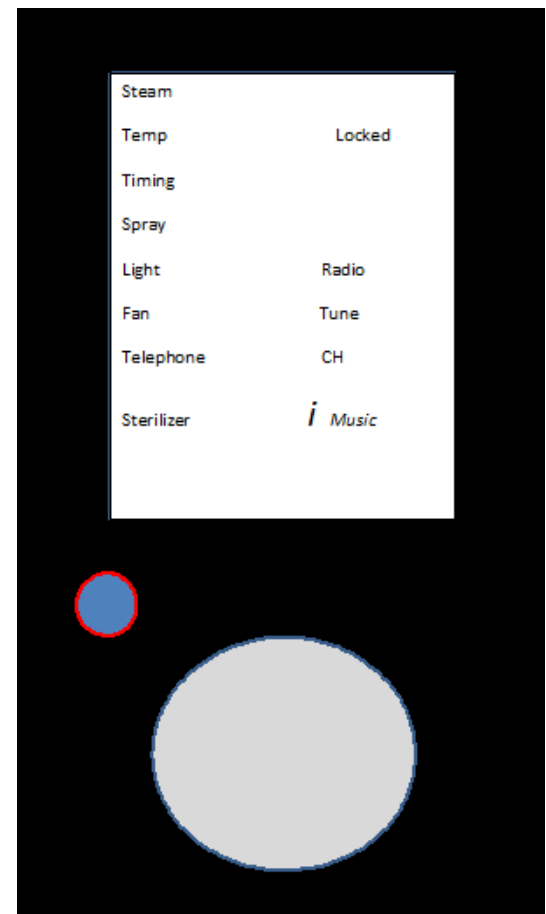
/ Music

To access the Bluetooth features of the unit you need to connect to the Device SANJUN_BT.

Rotate the Shuttle Knob until the / Music is highlighted press the Shuttle Knob to engage the Blue Tooth.

You will see ON at the top of the crystal display when connected (if not press the Shuttle switch)

You can play and control music from your Smart Phone.



To control the music Volume with the Keypad, Highlight the *i* MUSIC, PRESS the Shuttle Knob. Press the Speaker button on the bottom left of the keypad and the dB on the display will flash, rotate the Shuttle Knob to the desired volume, press the Shuttle Knob to set.

While in Bluetooth mode you can receive call and talk through the microphone. If you have a waterproof phone you can make calls also.

To answer incoming calls, press the shuttle knob.

To stop the electronic system, press the on/off button on the keypad again.

ADDITIONAL INFORMATION

TO EXPEDITE PARTS REQUEST

Please visit homewardbath.com/support

If you require additional assistance, call 866-783-2661.

WARRANTY INFORMATION & REGISTRATION

Please visit our website: homewardbath.com/warranty-registration

Please note serial number: _____

Registration must be completed within 45 days of receipt to be valid.

A full description of the warranty is available on the Homeward Bath website.

homeward**b**ath