

Serenity 11

71 3/4 x 39 5/8 x 27 inches



Note: This model requires a remote blower location. Please refer to the owners manual for detailed installation instructions.

FEATURES

- Deep, ergonomic bathing well
- Freestanding design
- 2-person bathing
- Pedestal base
- Slip resistant floor
- Premium cast acrylic surface*
- Ships in wood crate
- Limited lifetime warranty

COLOR & TRIM OPTIONS

Stock	Premium
Biscuit White	Black Sterling Silver



Two Person Bath

* Interior bathing well, exterior shell and pedestal can be different colors

AVAILABLE SYSTEMS

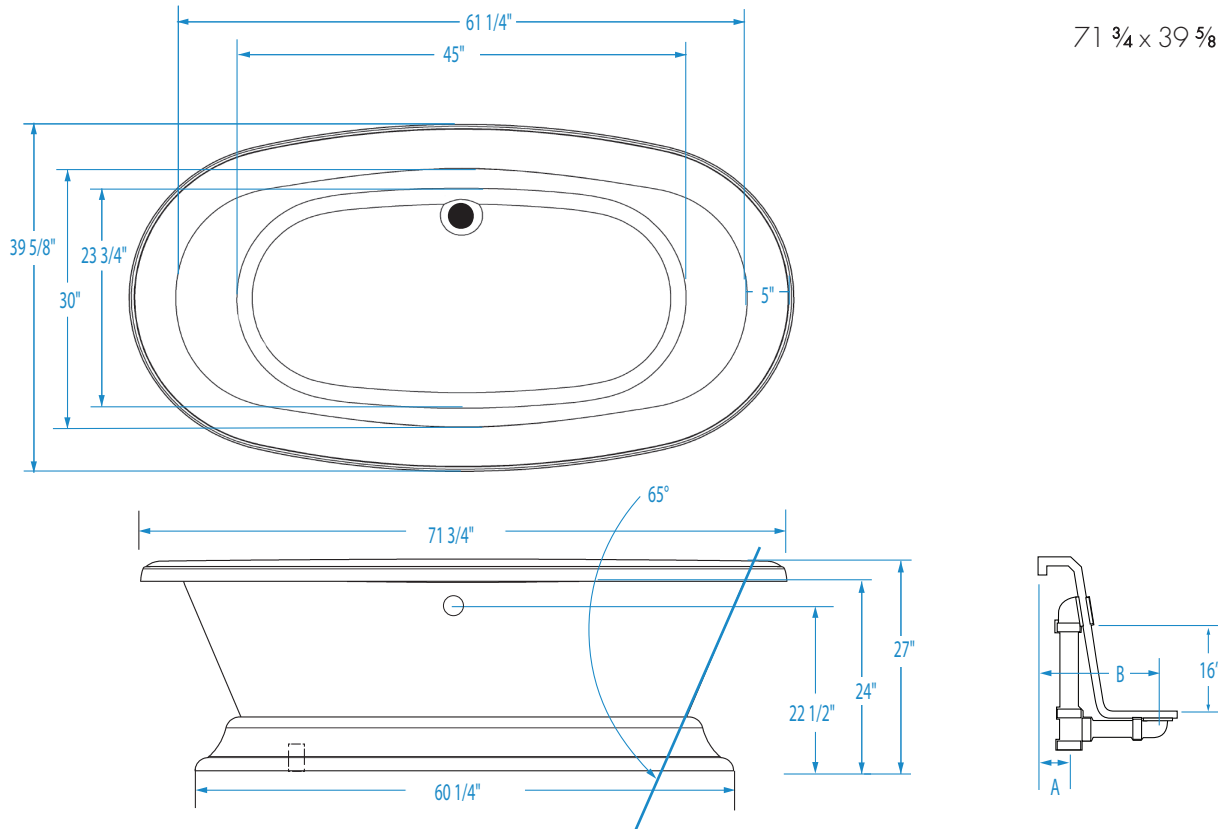
AIR BATH

- Perimeter air injectors
- Variable speed heated-air blower
- Automated purge and dry system
- Electronic control with wave and pulse features
- Remote blower kit with 25-ft cabling and remote control



Serenity 11

71 3/4 x 39 5/8 x 27 inches



FEATURES Dimensional Tolerance $\pm 3/8"$. Dimensions needed for site preparation should be measured from the unit. Manufacturer assumes no responsibility for preparatory work.

Type and Model #	Material	System	Powered By	Heater	Controls	Drain	Pkg. Wt. lbs
Soaker #A111AIR7240PTO	Cast Acrylic	-	-	-	-	Center Front	519
Air Bath #A111AIR7240P	Cast Acrylic	Air injection	Variable speed blower	Inline	Electronic	Center Front	549

DIMENSIONS inches

Width Inches	Depth Inches	Height Inches	Skirt Height
71 3/4	39 5/8	27	-

SUMP DATA inches

Capacity to Overflow gal	Min. Operating Capacity gal	WIDTH @ centerline		DEPTH @ centerline	
		Top	Bottom	Top	Bottom
78	-	61 1/4	45	30	23 3/4

PLUMBING DIMENSIONS inches

A	B	Drain Diameter / Clearance
4 3/4	12 1/8	2 / 4 5/8

ELECTRICAL DATA

Component	Specification	Requirement
Heated Blower (Air Bath)	10.5 AMP; 120V	15 AMP; 120V, separate circuit; Class A GFCI

NOTES:

- 1) Where applicable, utilize cut-out templates packed with unit for deck cutouts.
- 2) 16 x 16 minimum access required at pump/blower location(s).

Each Serenity air bath is equipped with an air heating system to raise the temperature of the air entering the bath. This air temperature will be lower than the bathing temperature of the water, but will help reduce rapid decrease in water temperature. In addition, the air coming from the air jets will feel cool against the skin. This system does not heat the water.