

Dishwasher

Installation manual

DW80R9950* Series



SAMSUNG

Contents

Safety instructions	3
Important safety instructions	3
Before using your dishwasher	5
Installation	6
Product dimensions	11
Cabinet dimensions	12
Specifications	34



Scan this with your smartphone

Scan the QR code* to view our helpful installation videos.

* Requires reader to be installed on your smartphone.

Safety instructions

Throughout this manual, you will see Warning and Caution notes. The warnings, cautions, and the important safety instructions that follow do not cover all possible conditions and situations that may occur. It is your responsibility to use common sense, caution, and care when installing, maintaining, and operating the dishwasher. Samsung is not liable for damages resulting from improper use.

Important safety instructions

What the icons and signs in this installation guide mean:

 **WARNING**

Hazards or unsafe practices that may result in **severe personal injury or death**.

 **CAUTION**

Hazards or unsafe practices that may result in **personal injury or property damage**.

 **CAUTION**

To reduce the risk of fire, explosion, electric shock, or personal injury when using the dishwasher, follow these basic safety precautions:

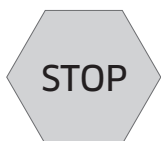
 **NOTE**

Indicates that a risk of personal injury or material damage exists.

These warning signs are here to prevent injury to you and others.

Please follow them explicitly.

After reading this section, keep it in a safe place for future reference.



These installation instructions are intended for use by qualified installers.

If you are having problems installing this dishwasher
U.S.A

Please call: 1-800-SAMSUNG (726-7864)
1-844-SAM-PAYS (726-7297)

for assistance: www.samsung.com/us/support

CANADA

Please call: 1-800-SAMSUNG (726-7864)

for assistance: www.samsung.com/ca/support (English)
www.samsung.com/ca_fr/support (French)

SAVE THESE INSTRUCTIONS



Safety instructions

California Proposition 65 Warning

 **WARNING:** Cancer and Reproductive Harm - www.P65Warnings.ca.gov

Read all instructions before using the appliance.

Install and store the dishwasher inside, away from exposure to weather.

CAUTION

- Do not install the dishwasher near electrical components. Keep the dishwasher away from open flames.
- Do not install the dishwasher on a carpet as this is a fire hazard.
- Do not install the dishwasher in a location where the water may freeze (where the temperature falls below 32 °F (0 °C)). Frozen water in the hoses or pipes may damage the dishwasher.
- As with all equipment using electricity, water, and moving parts, potential hazards exist. To safely operate this appliance, become familiar with its operation and exercise care when using it.

The dishwasher must be properly grounded. Never connect it to an ungrounded outlet.

Prior to removal of original dishwasher and the installation of your new unit, make sure to switch off your circuit breaker. Do not connect the dishwasher until you have completed the installation. Connecting the power cable is the last step when installing the dishwasher.

All wiring and grounding must be done in accordance with the electrical code applicable to the region.

GROUNDING INSTRUCTIONS

For a permanently connected appliance:

This appliance must be connected to grounded metal, a permanent wiring system, or an equipment-grounding conductor must be run with the circuit conductors and connected to the equipment-grounding terminal or lead on the appliance.

The dishwasher is very heavy. Do not attempt to move or carry a dishwasher alone. Two or more people are needed to move a dishwasher and avoid potential injuries.

CAUTION

- If the power cable is damaged, it must be replaced by the manufacturer, a service agent or similarly qualified person in order to avoid a hazard.
- Do not touch the power cable with wet hands.
- Do not connect another appliance to the same power outlet as the dishwasher.

SAVE THESE INSTRUCTIONS



Make sure to use a new water supply line. Old lines are susceptible to breakage because they become hardened and may cause property damage due to a water leakage.

The dishwasher must be connected to a hot water supply with a temperature between 120 °F (49 °C)~149 °F (65 °C). This temperature range provides the best washing result and shortest cycle time. Temperature should not exceed 149 °F (65 °C) to prevent damage to dishes.

Ensure that the water supplied to the dishwasher does not freeze. Frozen water can damage the hoses, valves, pump, or other components.

Certified residential dishwashers are not intended for licensed food establishments. (NSF/ANSI Standard 184 for Residential Dishwashers)

For a full list of safety information, please refer to the User Manual.

Before using your dishwasher

WARNING



Tip-Over Hazard

- Do not use the dishwasher until it is correctly installed.
- Do not push down on the dishwasher door when it is open.
- Do not place excessive weight on the dishwasher door when it is open.



Electric Shock Hazard

Failure to follow these instructions can result in death, fire, or electric shock:

- Electrically ground the dishwasher
- Connect the ground wire to the green ground connector in the junction box.
- Do not use an extension cord.

To reduce the risk of electric shock, fire, or injury to persons, the installer must ensure that the dishwasher is completely enclosed at the time of installation.

SAVE THESE INSTRUCTIONS

Installation

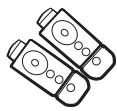
Be sure that you or your installer follow these instructions closely so that the new dishwasher works properly and that you are not at risk of injury when washing dishes.

STEP 1 Check the parts and tools

Before starting on the installation, prepare all the necessary tools and parts required to install the dishwasher. This will save installation time and simplify the installation process.

Parts required

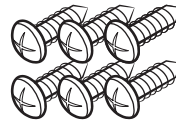
Provided with the dishwasher. Check when you unbox the dishwasher in **STEP 5**.



2 Installation brackets



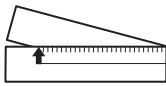
Kick Plate



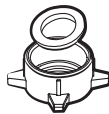
6 screws
(for the Kick plate &
Bracket Installation)



Protective sticker



Paper ruler

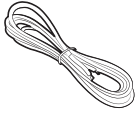


Nut connector &
seal (for $\frac{3}{4}$ " 90°
fitting)

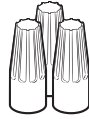


6 Plastic caps

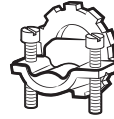
Not provided



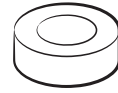
Power cable



Twist on wire connector



Strain relief



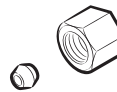
Electrical tape &
Standard duct tape



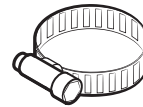
Hot water supply
line



90° Fitting (3/4")



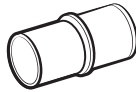
Tube fittings



Hose clamp



Air gap



Rubber connector

NOTE

For the hot water supply line - We strongly recommend using $\frac{3}{8}$ " minimum O.D. copper tubing with a compression fitting or a flexible stainless steel braided hot water supply line.

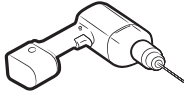
[Warning: Do not use plastic tubing. Plastic tubing can deteriorate over time and cause a leak inside the tube fitting.]

You also need a 90° Fitting with $\frac{3}{4}$ " N.P.T. external pipe threads on one end and a fitting sized to fit your hot water supply line (copper tubing/compression fitting or braided hose) on the other.

For the power cable, we recommend a jacketed 12-2 cable with ground. Note that some local codes may require the cable to have a BX style metal jacket.

Installation

Tools required



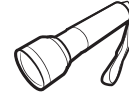
Electric drill



Safety glasses



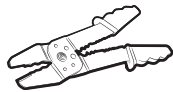
Gloves



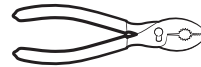
Flashlight



Adjustable wrench



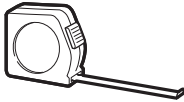
Wire stripper



Pliers



Nipper



Tape measure



Pencil



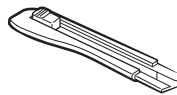
Phillips screwdriver



Flat screwdriver



Tubing cutter



Cutting knife



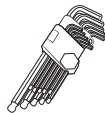
Hole saw



Level



Torx t20



Hex L-wrench

NOTE

New installation

If the dishwasher is a new installation, most of the installation work must be done before the dishwasher is moved into place.

Replacement

If the dishwasher is replacing an old dishwasher, you must check the existing dishwasher connections for compatibility with the new dishwasher. Replace the existing connections as necessary.

STEP 2 Select the best location for the dishwasher

The following criteria are important to ensure the best location for the dishwasher:

- The location must have a solid floor that is able to support the weight of the dishwasher.
- The location must be near a sink with easy access to the water supply, drain, and electrical outlet.

NOTE

For the drain to operate properly, the dishwasher should be installed within 9.8 ft (3 m) of the sink.

- The location must let you load your dishes into the dishwasher easily.
- The location must have sufficient space for the dishwasher door to open easily and provide enough space between the dishwasher and the cabinet sides (at least 0.1 in (2 mm)).

NOTE

If the dishwasher is installed in a corner, ensure that the side of the dishwasher is more than 2 in. (50 mm) from the wall or cabinet to its right or left.

- The wall at the back must be free of obstructions.
- Make sure the cabinet for the dishwasher is secured to the floor. If the cabinet is not secured, it may increase noise when the dishwasher is operating.

Installation

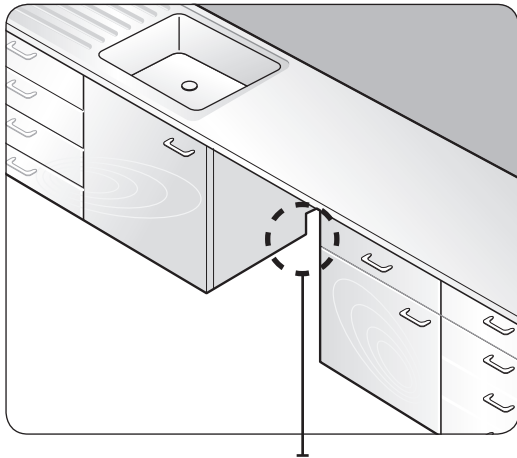
If this is a new installation, follow these steps:

1. Using a 2¹/₂ inch hole saw, cut a hole into the side of the cabinet that holds the sink as shown in **Figure 1-1** below.
2. If the base inside the sink cabinet is raised above the kitchen floor and is higher than the connections on the dishwasher, make a hole in the base inside the cabinet and in the cabinet side as shown in **Figure 1-2**.

NOTE

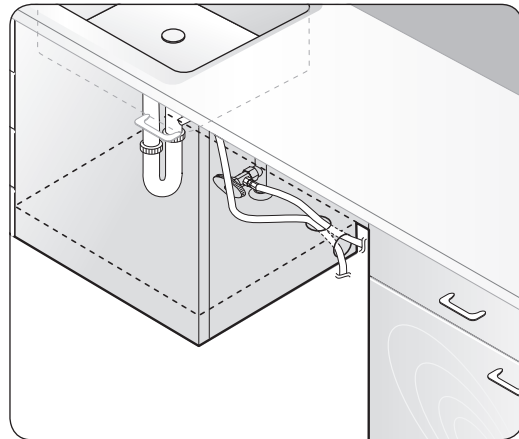
Depending on where your electrical outlet is, you may need to cut a hole in the opposite cabinet side.

Figure 1-1



The hole for the water supply line, drain hose and power cables.

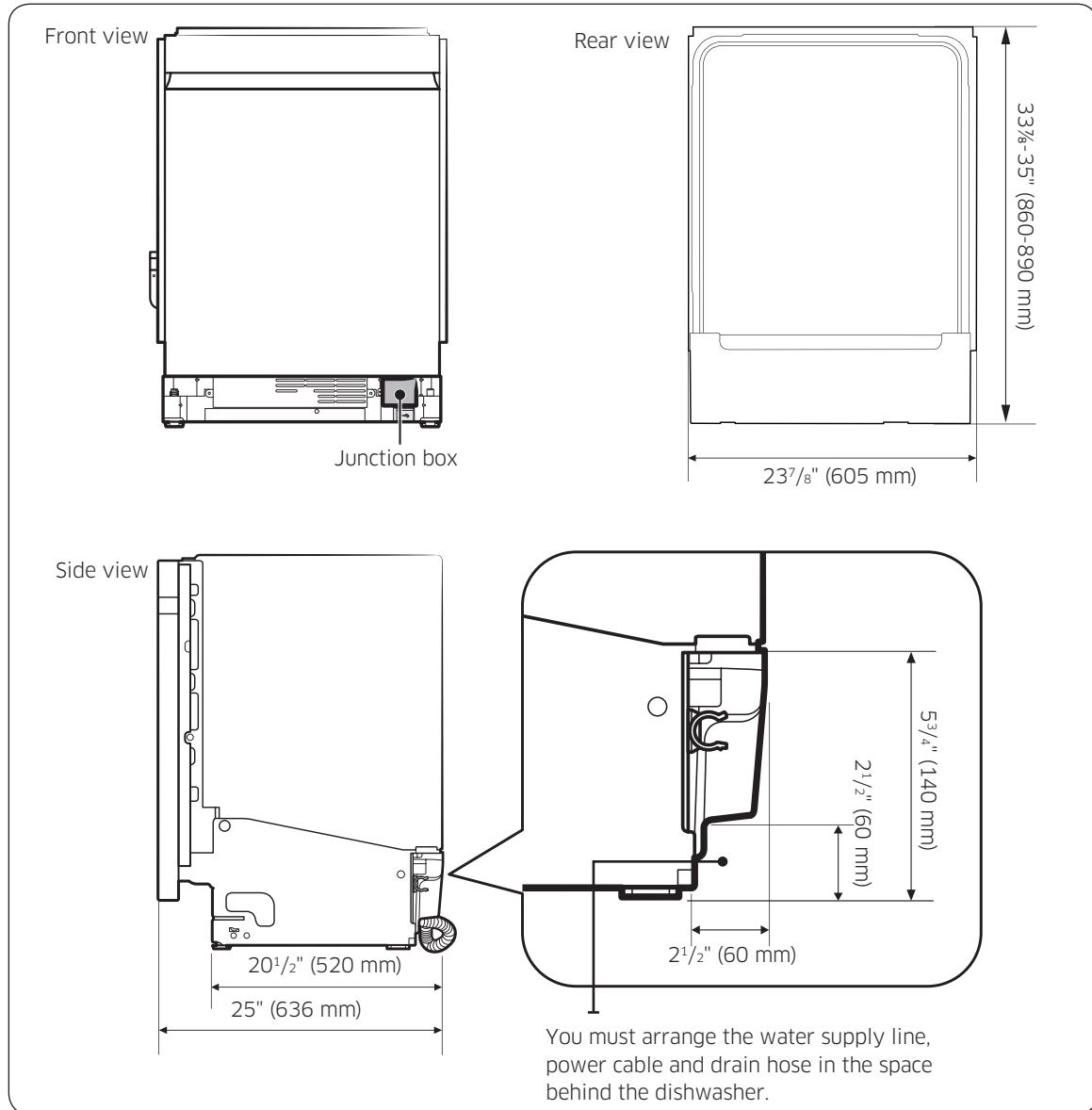
Figure 1-2



CAUTION

Make sure the cabinet hole is smoothed before you insert the drain hose through the hole. A sharp edge of the cabinet hole may cause damage to the drain hose, resulting in a leak of the hose.

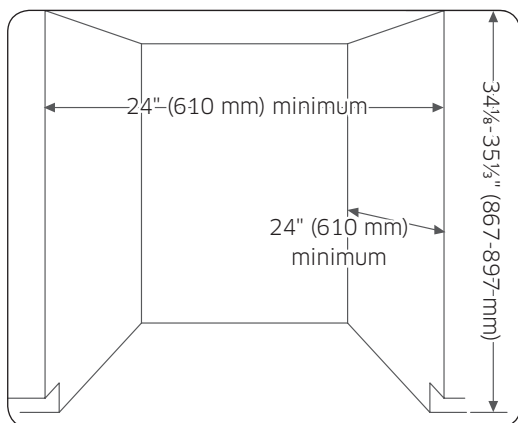
Product dimensions



Installation

Installation

Cabinet dimensions



NOTE

This dishwasher is designed to be enclosed on the top and on both sides by a standard residential kitchen cabinet unit.

The installation cabinet must be clean and free of any obstructions.

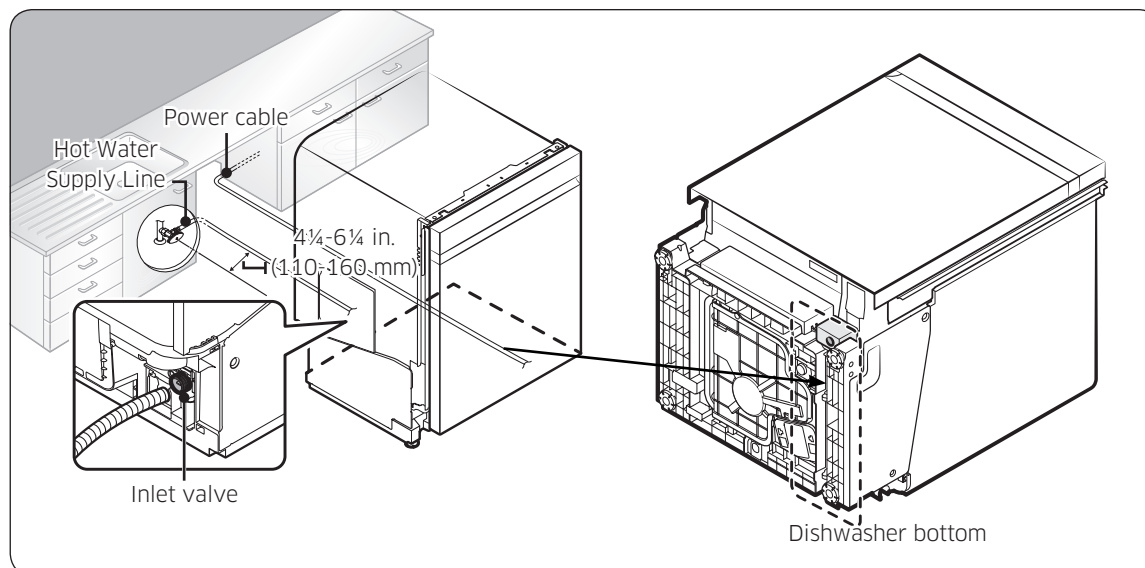
The cabinet must be at least 24 inches wide, 24 inches deep, and 34¹/₈ inches high.

For the front door of the dishwasher to be flush with the leading edge of the counter top, the counter top must be at least 25 inches deep.

STEP 3 Check water supply requirements and cautions

- The hot water supply line pressure must be between 20~120 psi (140~830 kPa).
- Adjust the water heater to deliver water between 120 °F (49 °C)~149 °F (65 °C).
 - The dishwasher must be connected to a hot water supply between 120 °F (49 °C)~149 °F (65 °C). This temperature range provides the best washing result and shortest cycle time. Temperature should not exceed 149 °F (65 °C) to prevent damage to dishes.
 - Ensure that the water supply valve is turned off before connecting the hot water supply line to the dishwasher.
 - Seal the hot water supply line connections using teflon tape or sealing compound to stop any water leakage.
 - The drain hose connected to the dishwasher must be run through the hole in the side wall so it can be connected to the drain outlet of the sink. When you install the dishwasher, ensure there is nothing on the drain hose and be careful not to damage it during the installation process.

Figure 2



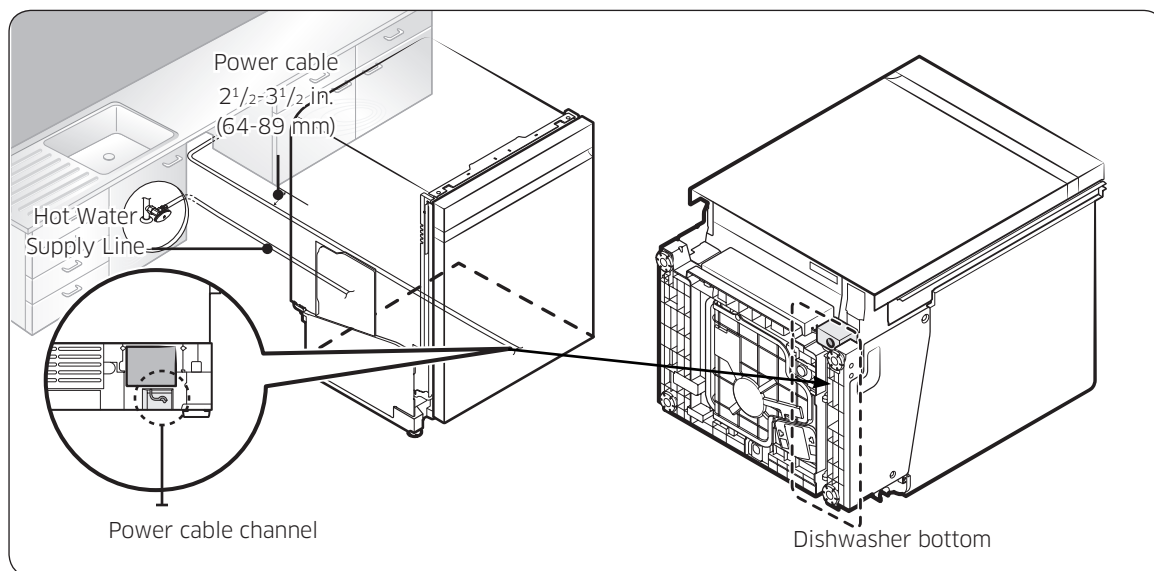
Installation

STEP 4 Check the electrical requirements and cautions

The electrical requirements for the dishwasher are as follows:

- In the United States, install in accordance with the National Electric Code/State and Municipal codes and/or local codes.
- In Canada, install in accordance with the Canadian Electric Code C22.1-latest edition/ Provincial and Municipal codes and/or local codes.
- For cable direct connections.
 - Use flexible, armored or non-metallic sheathed, copper wire with a grounding wire that meets the wiring requirements for your local codes and ordinances.
 - Use the strain relief method provided with the wiring junction box or install a U.L.-listed/CSA-certified clamp connector to the wiring junction box. If using conduit, use a U.L.-listed/CSA-certified conduit connector.

Figure 3

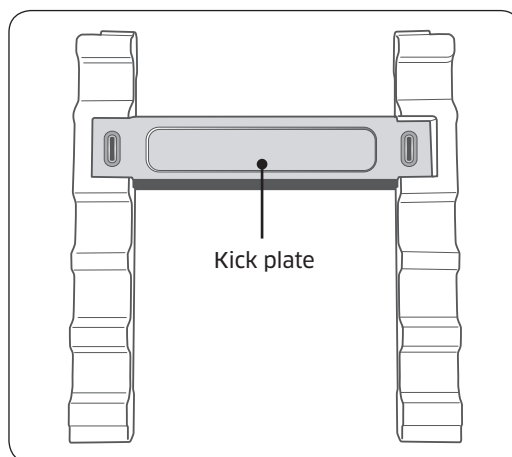


STEP 5 Unpacking and inspecting the dishwasher

Unpack the dishwasher in an open area free of obstruction both around the packaging and overhead. We recommend that you retain all of the packing materials until the dishwasher is fully installed and operational to ensure you have removed all the product's components from the packing materials prior to disposal.

Unpacking

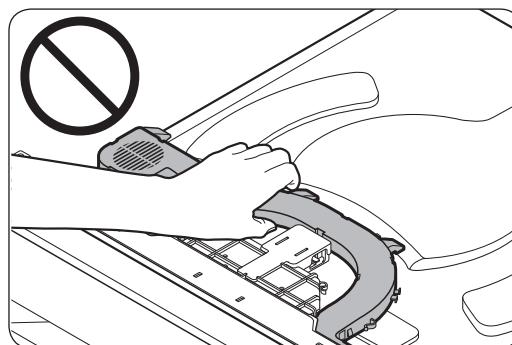
1. Position the carton right-side-up with top arrows pointing upwards.
2. Unbuckle or cut the straps securing the packaging.
3. Unpack the product packaging with care.
4. Put the straps and all of the packing materials from around the dishwasher inspecting them for any signs of damage.
5. Locate and set aside the dishwasher's kick plate. The Kick plate is attached to packing material of the dishwasher.



6. Lift the dishwasher from the packing tray, and then place it on the floor.

⚠ CAUTION

- ALWAYS LIFT THE DISHWASHER TO MOVE IT. Sliding it over rough surfaces can damage the dishwasher's feet and sliding the feet over finished surfaces can, in some cases, damage that finish or the underlying surface.
- Use caution, and do not grab the upper air duct when moving the dishwasher.



7. There is also packing inside the dishwasher that you may want to leave in place until the dishwasher is installed.
8. DO NOT, under any circumstances, remove the sound-absorbent padding that surrounds the exterior of the tub of the dishwasher.



Installation

Inspecting

Mechanical

1. Check the plastic base assembly to ensure that it is intact
2. Check the dishwasher's feet to ensure they are in place and can be adjusted so you can level and secure the dishwasher.
3. Check all the visible components on the bottom of the dishwasher to ensure they are intact and secure.
4. Check the door latch, the operation of the hinges, and confirm the door is properly secured to the dishwasher.

Plumbing

1. Check the hot water connection on the back left-side of the base of the dishwasher. The mounting plate should be secured to the back of the base, the threads inside the connection should be smooth and shiny, and the area should be clean and free of any debris.
2. Make sure the dishwasher and the accessories are all included in the package to ensure these assemblies are not cracked and that all connections are secure.
3. Check the drain hose for any holes or deformities that could allow a water leak during draining.

Electrical

1. Confirm the junction box cover is secured to the junction box on the front right-side of the base of the dishwasher.
2. Confirm the electrical box was not damaged during shipping and that it is secured to the base of the dishwasher.

Appearance

1. Confirm there are no dents or scratches on the front of the dishwasher.
2. Check the edges of the doors for any roughness or cracking.
3. Check the control panel to ensure it is clear and unscratched, and that all the control markers are in their proper places.

Parts

Confirm you have all the parts listed in **STEP 1** on **page 6**.



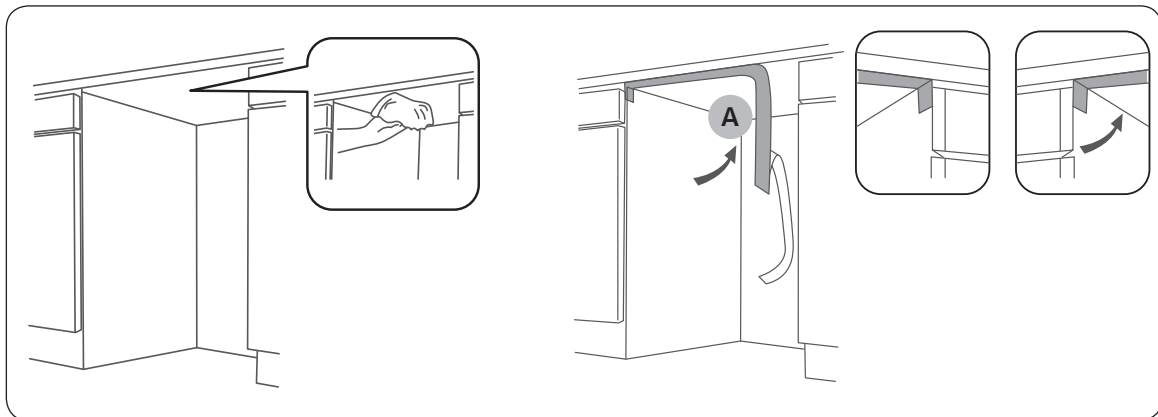
STEP 6 Preparing the dishwasher

1. Attach the protective sticker (A).

- To prevent damage, put the protective sticker on the bottom of the counter top as shown in the picture.

NOTE

- Before putting the protective sticker, clean the counter top as shown in the picture.
- For information, the length of the protective sticker is 26 inches (660 mm).



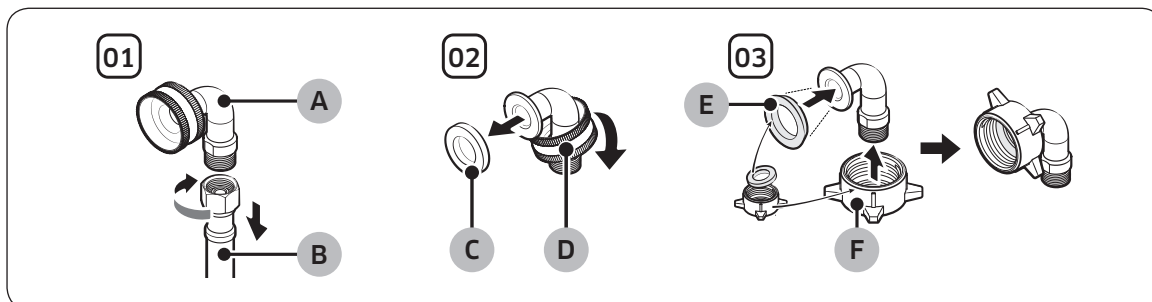
2. Ensure that the circuit breaker and water supply valve are turned off before proceeding with the following steps.

CAUTION

Before you move or lay down the dishwasher for installation, make sure to adjust the height of the legs so the legs are as short as possible. This prevents the legs from breaking. Level the dishwasher by adjusting the height of the legs after you have the dishwasher in place.

Installation

- Use the provided nut connector to connect the water hose to the dishwasher.
Follow these steps:



- 01 Disconnect the 90° fitting (A) from the hose (B).
- 02 Remove the seal (C) and the nut (D) from the 90° fitting.
- 03 From the provided nut connector, separate the seal (E) and the nut (F), and then assemble them to the 90° fitting as shown in the figure. You must insert the smaller side of the seal.
4. Then, insert the $\frac{3}{4}$ " 90 degree fitting into the inlet valve (See **Figure 4-B**). Tighten until the $\frac{3}{4}$ " fitting is tight. Do not over tighten.
5. Detach the Velcro strips that secure the drain hose to the back of the dishwasher. Roll-out the hose. Make sure there are no kinks and that the hose is not bent at any extreme angles that could constrict the flow of water.
6. Remove the junction box cover located at the bottom front right of the dishwasher using a screwdriver, and then Install the strain relief (**Figure 4-C**). Make sure to keep the junction box cover you removed. It is used in **STEP 11**, Wiring Connections.
7. If the countertop is made of wood or a material that is not damaged by drilling, attach the two (2) Installation brackets that were supplied with the dishwasher using the supplied screws (**Figure 4-A**). They will be used in **STEP 9**, Securing the Dishwasher.

If the drain hose needs to go to the right of the dishwasher, secure the hose in the hose fixer mounted on the base. There are three positions the hose fixer can be installed at. To move the hose fixer, gently squeeze the fixer, then turn to the left.

Make sure to secure on the arrow-marked area.

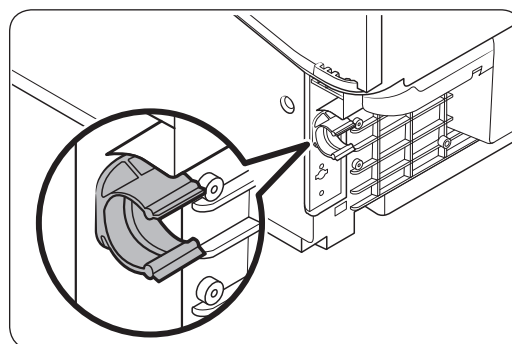
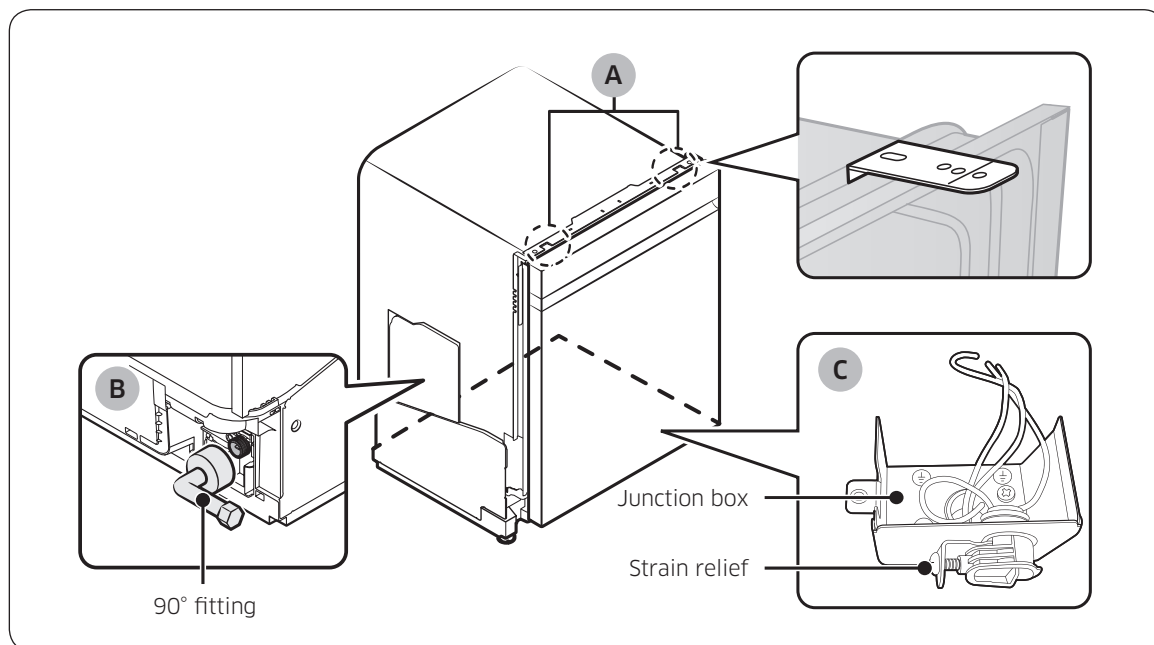


Figure 4



⚠ CAUTION

Do not overtighten the 90° Fitting. (Below 280 lb-in (31.6 N·m))
Doing so may damage the water inlet valve and cause a water leak.

Installation

STEP 7 Placing the dishwasher and connecting the hot water supply line

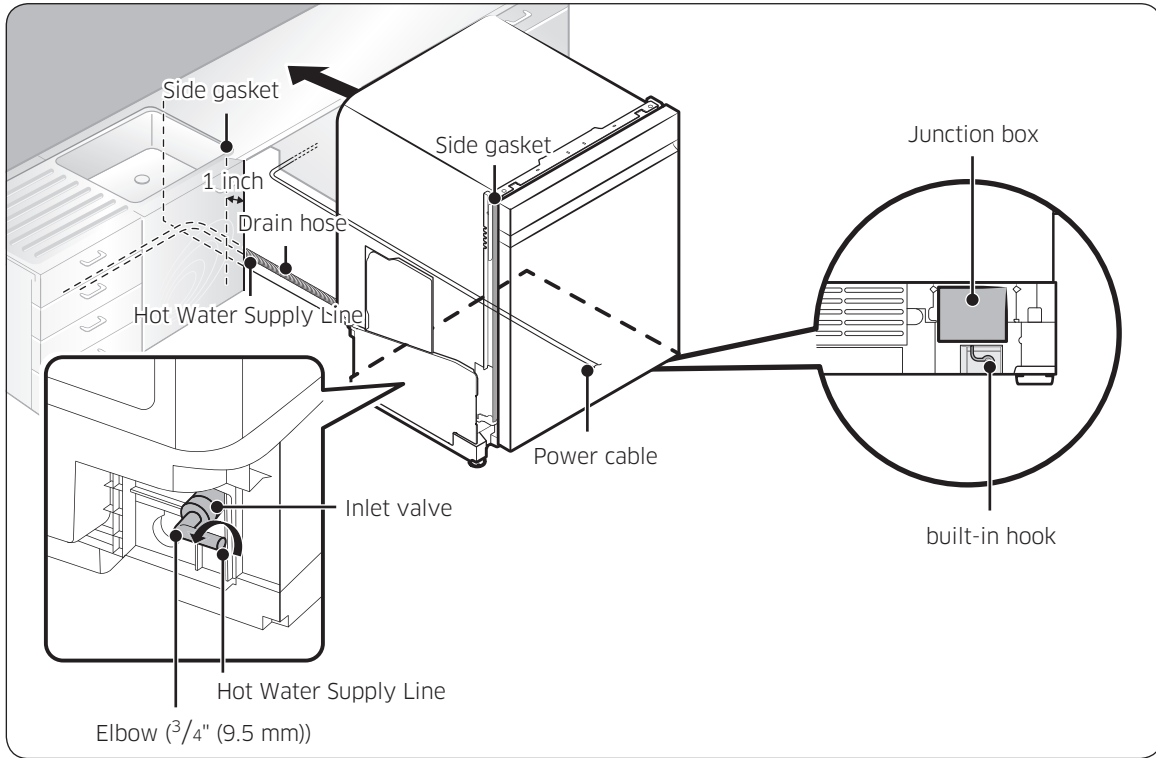
1. Adjust the three leveling legs at the bottom of the dishwasher after measuring the height of the cabinet opening from under the countertop to the floor. (See **STEP 8**, Leveling the Dishwasher.)
2. Locate the hot water supply line and the power cable.
3. Place the dishwasher so that the hot water supply line is in the left side and the power cable is in the right channel of the base of the dishwasher. The right-side channel for the power cable has a built-in hook on the base so that you secure the power cable.
4. Pull the drain hose through the hole in the sink cabinet side wall. Keep it free of kinks.
5. Make sure the hot water supply line is not twisted, and then connect the hot water supply line to the fitting joint.
6. Slide the dishwasher carefully into the installation space. If possible, gently pull any excess lengths of water supply line, drain hose, or power cable back as you move the dishwasher. Get a second or third person to help you do this if necessary.

CAUTION

Do not place the dishwasher on the water supply line, drain hose, or power cable. Also, make sure they are not folded or twisted.

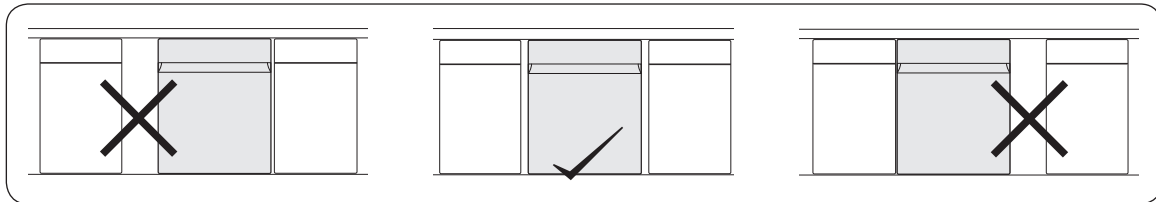
- Make sure the supply line is properly connected.
Wrap Teflon tape around every connection to prevent water leaks.
Make sure the side gaskets are inserted seamlessly. Otherwise, it may increase noise when the dishwasher is operating.
- Make sure both side gaskets are $\frac{13}{16}$ " to 1" (20-25 mm) backward from the front end of the kitchen cabinet. Less distance may increase noise when the dishwasher is operating.

Figure 5



⚠ CAUTION

Do not overtighten the 90° Fitting. (Below 280 lb·in (31.6 N·m))
 Doing so may damage the water inlet valve and cause a water leak.

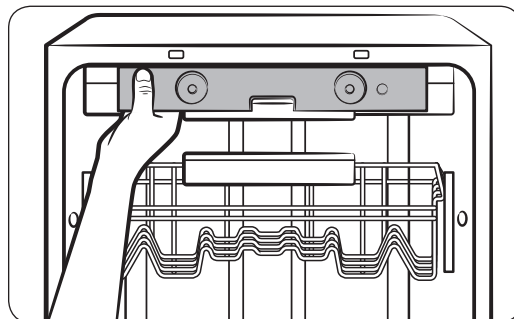


Make sure the dishwasher is positioned to the center.

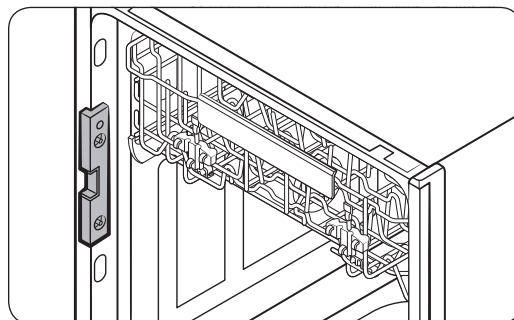
Installation

STEP 8 Leveling the dishwasher

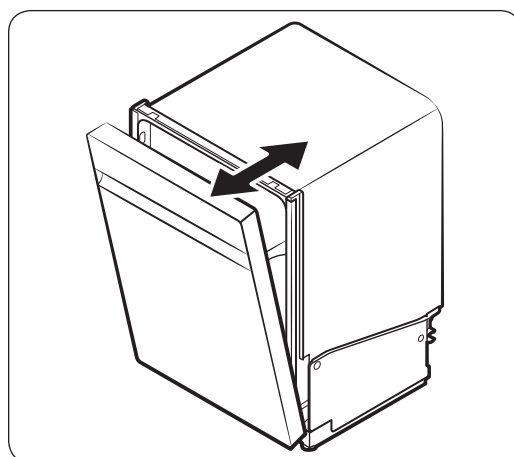
1. Open the door and place the level against the top of the tub on the inside and check if the the dishwasher is level. If it is not level, rotate the leveling legs at the bottom front of the dishwasher until the dishwasher is level. See the first note below for instructions on adusting the height of the front legs.



2. Use the level to check if the dishwasher is level front to back, as shown in the figure to the right. If the dishwasher is not level front to back, adjust the height of the rear leg until the dishwasher is level. See the second note below for instructions on adusting the the rear leg.

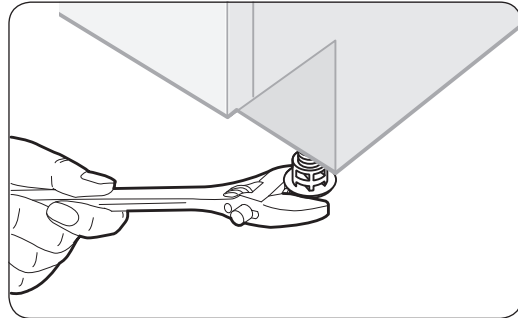


3. Open the door of the dishwasher and check if both the tub and door clearances are correct. If not, rotate the leveling legs on the bottom front of the dishwasher. You can aslo check this by placing a level against an inside front vertical surface of the tub.



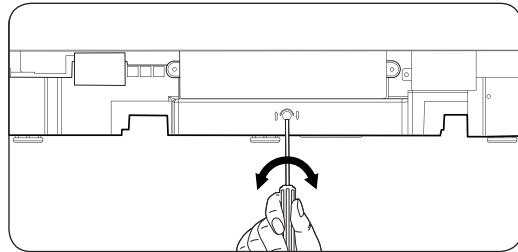
NOTE

- If the leveling legs are rotated to the left (clockwise), they are loosened and the front of the dishwasher is raised. If they are rotated to the right (counter clockwise), they are tightened and the front of the dishwasher is lowered.
- You can adjust the leveling legs by a max of $16/32$ " However, leveling up to the max height is not recommended.



NOTE

To adjust the height of a rear leg, turn the T210 Torx (at the front of the base) to the left to raise the back of the dishwasher using the proper tool (T20 Torx).



CAUTION

- Before you move the dishwasher for installation, make sure to adjust the height of the legs so the legs are as short as possible. This prevents the legs from breaking. Level the dishwasher by adjusting the height of the legs after you have the dishwasher in place.
- If the product is installed unlevelled or with the leg missing, the door may not close completely, causing a leak of steam or water.
- When adjusting the height of the dishwasher, make sure the top gasket is inserted seamlessly underneath the top of the kitchen cabinet. Otherwise, it may increase noise when the dishwasher is operating.

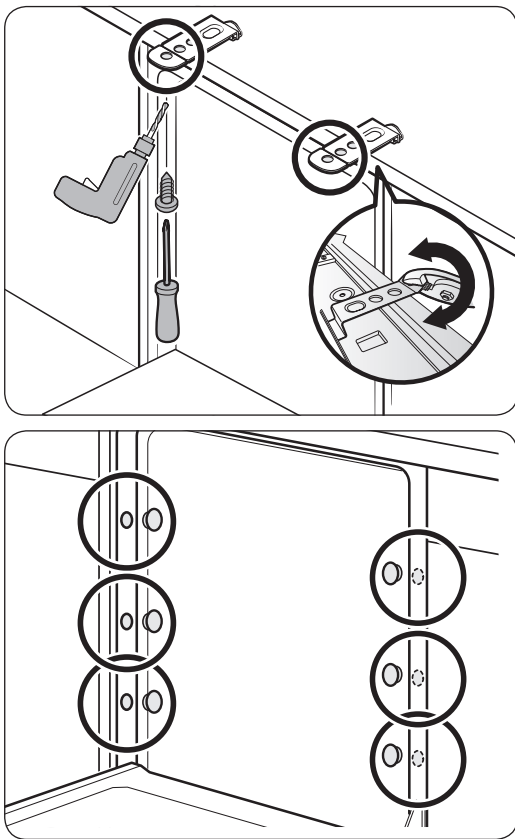
Installation

STEP 9 Securing the dishwasher

You must fix the dishwasher to the countertop or cabinet side walls for additional stability and safety.

To the countertop

If the countertop is made of wood or the material will not be damaged by drilling, follow this.



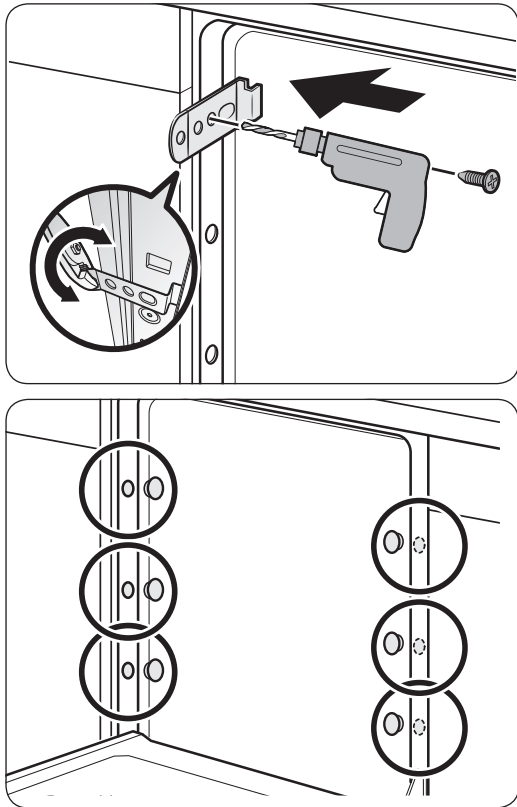
1. Put a large towel into the bottom of the dishwasher (covering the filter) to prevent wood shavings or a dropped screw from falling into the sump.
2. Insert the provided brackets into the top front holes of the dishwasher as shown.
If the brackets are too long, cut them down using pliers.
3. Pre-drill the overlapping holes of the brackets.
Make sure the hole is smaller than the diameter of the screw.
4. Tighten the provided screws.
5. Assemble the provided plastic caps as shown.

⚠ CAUTION

- After installing the dishwasher inside the cabinet, check if the door opens and closes freely with no interruption with the cabinet.
- If the plastic caps are not assembled, water may leak and cause a fire or electric shock.

To the sides

If the countertop is made of granite, marble, or any other material that can be damaged by drilling, follow this.



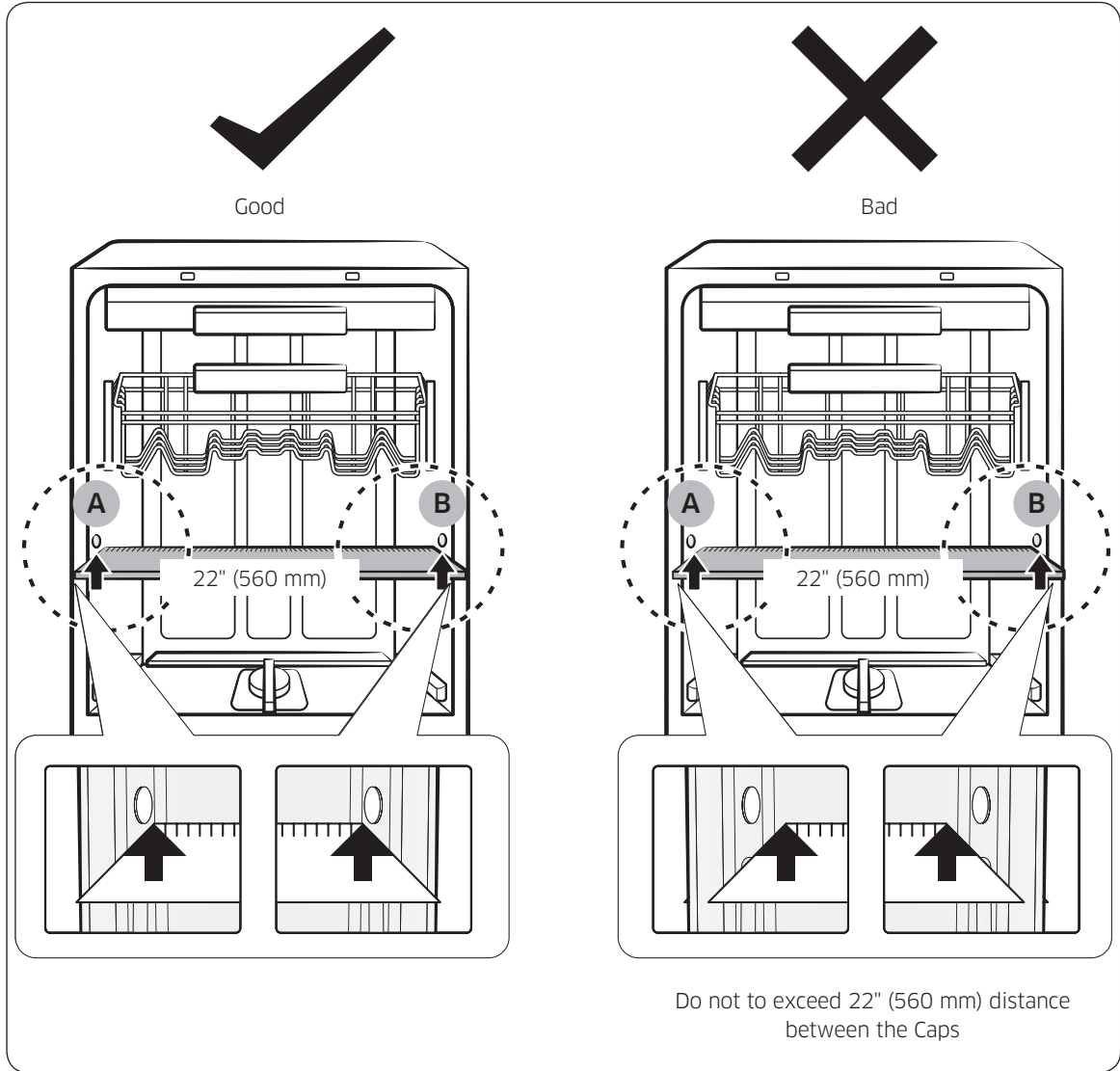
1. Put a large towel into the bottom of the dishwasher (covering the filter) to prevent wood shavings or a dropped screw from falling into the sump.
2. Insert the provided brackets into the side front holes of the dishwasher as shown.
If the brackets are too long, cut them down using pliers.
3. Pre-drill one hole into both sides of the kitchen cabinet.
Make sure the hole is smaller than the diameter of the screw.
4. Tighten the provided screws.
5. Assemble the provided plastic caps as shown.

CAUTION

- After installing the dishwasher inside the cabinet, check if the door opens and closes freely with no interruption with the cabinet.
- If the plastic caps are not assembled, water may leak and cause a fire or electric shock.

Installation

Installation



⚠ CAUTION

Make sure the tub is not distorted by pressure from the screws. If the tub is distorted, loosen the screws a little. Replace the plastic caps.

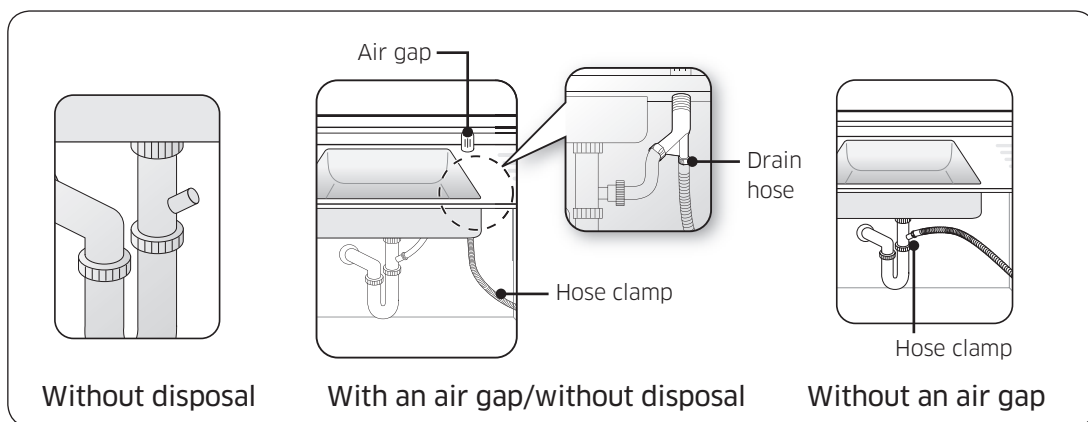
Use the paper ruler to measure the specified distance on A and B.

STEP 10 Securing

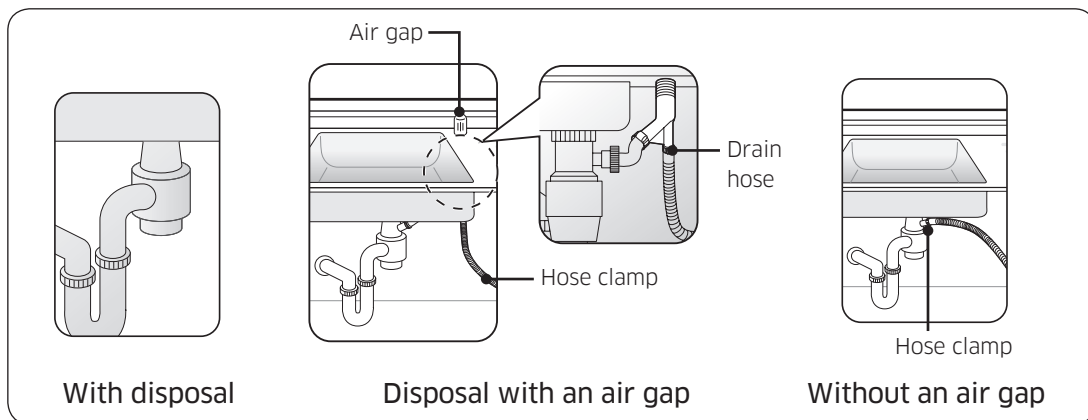
1. Check the parts on the sink to which the drain hose will be connected.
2. There are several ways to insert the drain hose into the drain hose connector of the sink, as shown in the following figures. You must connect the drain hose in accordance with the water pipe installation regulations in your region.

Figure 8

Case 1. Without disposal



Case 2. With disposal



3. Check the size of the sink's drain hose connector. If needed, cut the drain hose so its end fits onto the sink connector ($\frac{5}{8}$ in. or 1 in. - as shown in **Figure 9** below). If the end of the drain hose does not fit onto the drain hose connector of the sink, use an adaptor purchasable at a plumbing/hardware supply store.

Installation

4. Slide a hose clamp over the end of the drain hose. Attach the drain hose to the sink connector, slide the hose clamp to the end of the hose, and then tighten the hose clamp.

 **NOTE**

You must use a hose clamp. Failure to do so may cause water leakage.

5. To prevent backflow, secure the drain hose to the side or back wall of the kitchen cabinet using cable ties or other fixtures. Make sure the drain hose height is at least 20 inches from the floor. (See **Figure 10**.)
6. When drilling a hole for the drain hose on the cabinet wall, take caution not to damage the drain hose by sharp edges of the hole. On wooden walls, use sand paper to soften the edges.
On metal walls, use insulation tape or duct tape to cover the sharp edges around the hole.
7. Take caution not the damage the drain hose when installing the dishwasher on the floor, wall, or cabinet.

 **NOTE**

To prevent leaks or drainage problems, make sure the drain hose is not damaged, kinked, or twisted.

8. Do not cut the wrinkled area of the drain hose to fit the size. When arranging the drain hose, take caution not to contact on sharp edges of the cabinet or under-sink.

 **CAUTION**

- Be careful when cutting off the end of the drain hose as there is a risk of injury. Clean around the sink's drain connection so that it does not damage the hose. Check for any foreign items in the drain hose and remove them.
- When arranging the drain hose, make sure the drain hose is not cut, torn, or broken by any sharp edges of the floor, the product itself, or the cabinet. A damaged drain hose causes a leak.
- Make sure to unplug the food disposal.

Figure 9

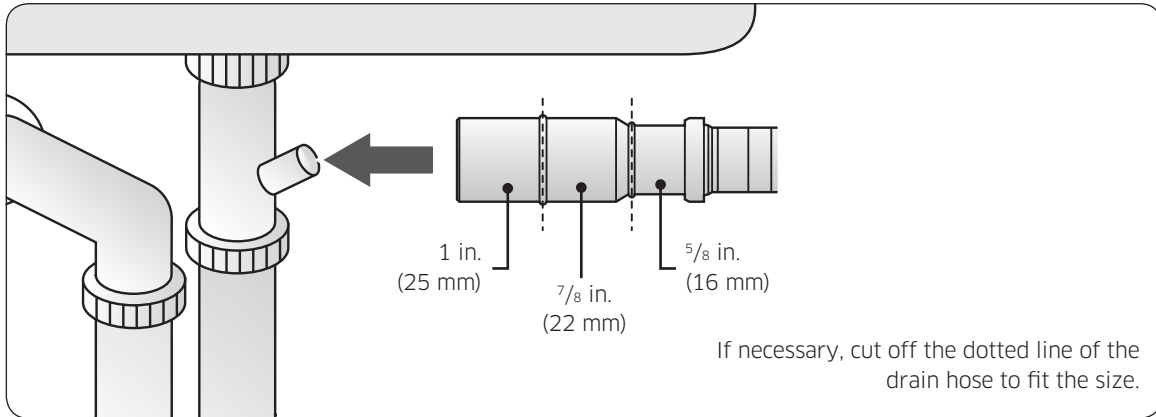
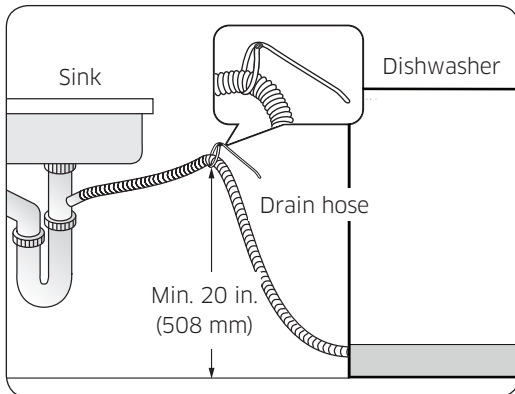


Figure 10



To prevent backflow for models without the air gap, secure the drain hose to the side wall of the kitchen cabinet using cable ties or other fixtures. Make sure the drain hose is high at least 20 inches from the bottom.

Installation

STEP 11 Wiring connections

1. Before connecting the power cable to the dishwasher, make sure the circuit breaker is off.
2. In the junction box located at the front bottom right of the dishwasher, find the three power wires from the dishwasher including the grounding line.
3. Pass the power cable through the strain relief, and then into the junction box (Figure 11).
4. Connect the black wire of the dishwasher to the black wire of the power cable by inserting both into a wire nut, and then rotating the wire connector as shown in Figure 12.
Connect the white wire to the white wire and the green to the green in the same manner.
5. Recheck each wire to ensure it is connected correctly and securely.
Each colored wire should be connected to the corresponding wire of the same color.
White should be connected to white, black to black, and green to green.
6. Reconnect the junction box cover on the dishwasher.

Figure 11

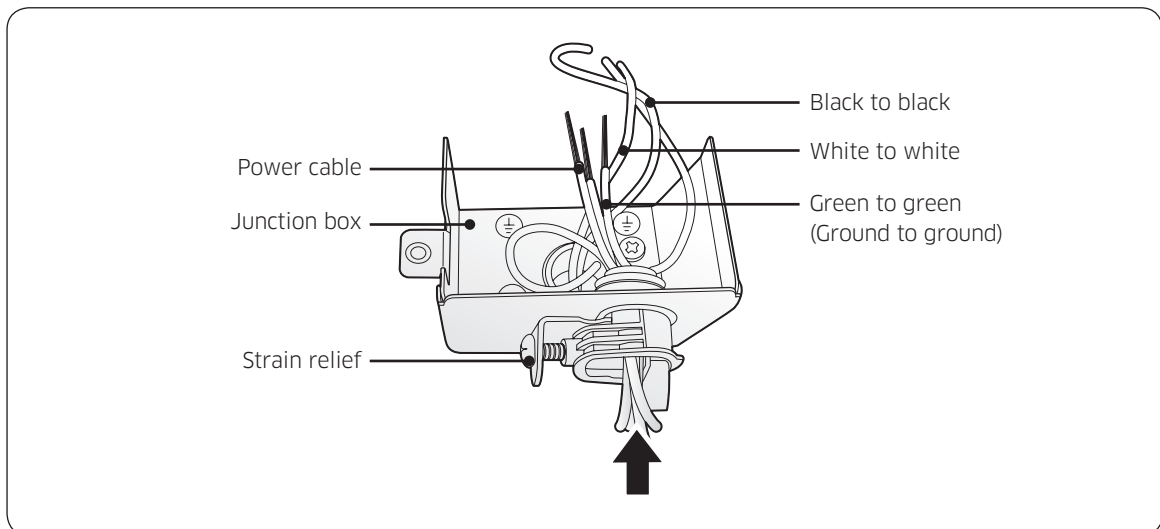
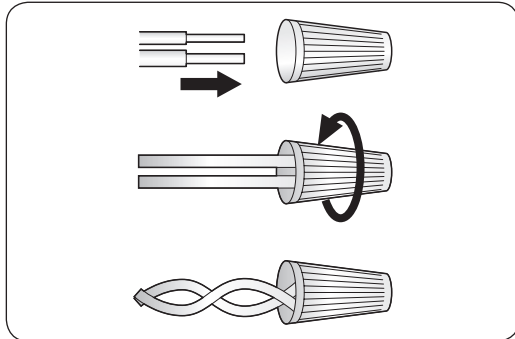


Figure 12



⚠ WARNING

- **Electrical Shock Hazard**
To avoid electrical shock, do not work on an energized circuit. Doing so could result in serious injury or death. Only qualified electricians should perform electrical work. Do not attempt any work on the dishwasher electric supply circuit until you are certain the circuit is de-energized.
- **Fire Hazard**
To avoid a fire hazard, make sure electrical work is properly installed. Only qualified electricians should perform electrical work.

📄 NOTE

Recheck each wire to ensure it is connected correctly and securely.
Each colored wire should be connected to the corresponding wire of the same color.

Installation

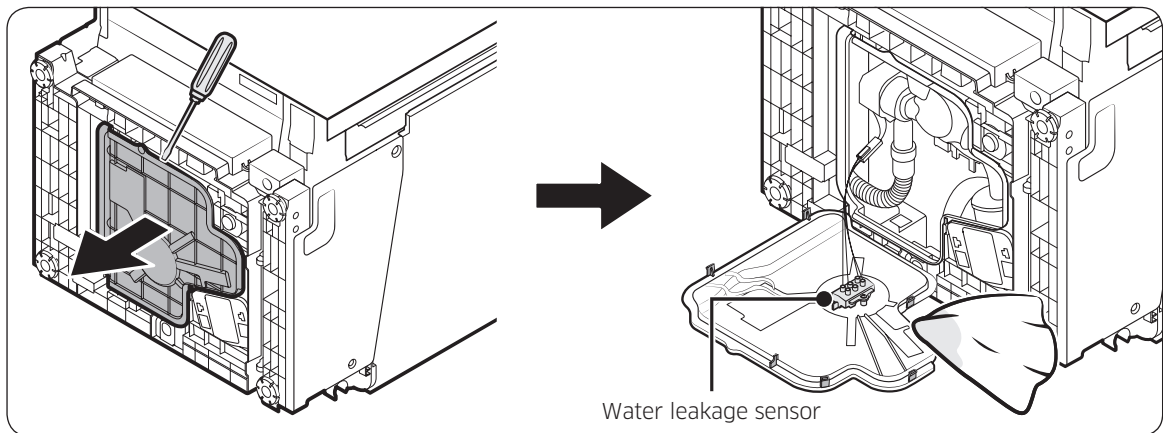
STEP 12 Completing the installation

1. Open the door and remove all foam, paper packaging, and unnecessary parts.
2. Turn on the circuit breaker you turned off before you began the installation.
3. Open the water supply valve to supply water to the dishwasher.
4. Turn on the dishwasher, and then select and run a cycle.

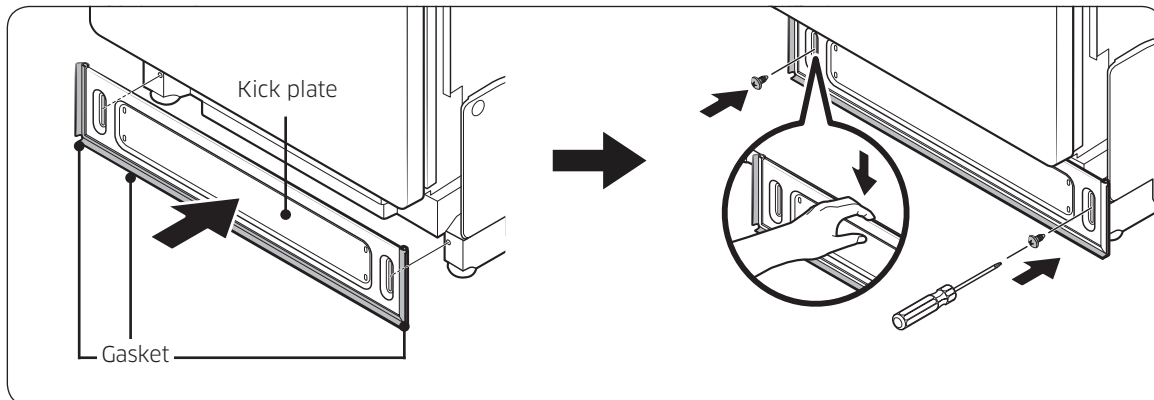
CAUTION

Make sure to check for water leakage on both ends of the water supply line and drain hose connector.

5. Check if the dishwasher turns on properly and check also if there is any leak. If there is no problem, turn the dishwasher off. Skip Steps 6 through 10 and go to Step 11.
6. If the leakage check code of “LC” appears on the window panel, press and hold the **Start** button for more than 3 seconds to start draining. When the draining is complete, unplug the dishwasher and close the water supply valve.
7. Check if the inlet valve leaks. If so, reconnect the 90° fitting with the hot water supply line because they are not properly connected.
8. Once the leak is stopped, lay down the dishwasher as shown, and wipe out moisture from the water leakage sensor.



9. Plug the dishwasher. Then, open the water supply valve and try a cycle.
10. If the “LC” information code continues to appear on the window panel, contact a local service center.
11. Finally, attach the kick plate to the bottom of the dishwasher. While keeping the rubber skirt of the door taut, push the kick plate from the front of the rubber skirt inward underneath the door of the dishwasher. Make sure the gaskets of the kick plate are flush with the floor and side walls. Then, tighten the screws to fix the plate.



⚠ CAUTION

Make sure the kick plate does not interfere with the dishwasher's door opening and closing.

Specifications

Power supply	120 V, 15 A, 60 Hz AC
Water pressure	20~120 psi (140 ~ 830 kPa)
Dimensions (Width×Depth×Height)	23 ⁷ / ₈ x 25 x 33 ⁷ / ₈ in. (605 x 636 x 860 mm)
Minimum inlet water temperature	120 °F (49 °C)

NOTE

Specifications are subject to change without notice for quality improvement purposes.
The actual appearance of the dishwasher may differ from the illustrations in this manual.

Memo

SAMSUNG



DD68-00208A-00

Lavavajillas

Manual de instalación

Serie DW80R9950*



SAMSUNG

Contenidos

Instrucciones de seguridad	3
Instrucciones de seguridad importantes	3
Antes de usar la lavavajillas	5
Instalación	6
Dimensiones del producto	11
Dimensiones del gabinete	12
Especificaciones	34



Escanee esto con su teléfono inteligente

Escanee el código QR* para ver videos útiles de instalación.

* Debe tener un lector instalado en su teléfono inteligente.

Instrucciones de seguridad

A lo largo de este manual, encontrará notas de Advertencia y Precaución. Las siguientes advertencias, precauciones e instrucciones de seguridad importantes no cubren todas las posibles condiciones y situaciones que pueden ocurrir. Es su responsabilidad actuar con sentido común, precaución y cuidado cuando instale, realice el mantenimiento y ponga en funcionamiento la lavavajillas. Samsung no se responsabiliza por los daños ocasionados por un uso inadecuado.

Instrucciones de seguridad importantes

Significado de los íconos y señales de esta guía de instalación:

ADVERTENCIA

Peligros o prácticas inseguras que pueden causar lesiones físicas graves o la muerte.

PRECAUCIÓN

Peligros o prácticas inseguras que pueden causar lesiones físicas o daños materiales.

PRECAUCIÓN

Para reducir el riesgo de incendio, explosión, descargas eléctricas o lesiones físicas cuando usa esta lavavajillas, siga estas instrucciones de seguridad básicas:

NOTA

Indica un riesgo de lesión o daño material.

Estas señales de advertencia sirven para evitar que usted y otras personas sufran daños.

Sígalas explícitamente.

Después de leer esta sección, guárdela en un lugar seguro para consultas futuras.



Estas instrucciones de instalación están dirigidas a instaladores calificados.

Si tiene problemas al instalar esta lavavajillas

ESTADOS UNIDOS

Llame al: 1-800-SAMSUNG (726-7864)

1-844-SAM-PAYS (726-7297)

para recibir asistencia: www.samsung.com/us/support

CANADÁ

Llame al: 1-800-SAMSUNG (726-7864)

para recibir asistencia: www.samsung.com/ca/support (English)

www.samsung.com/ca_fr/support (French)

CONSERVE ESTAS INSTRUCCIONES



Instrucciones de seguridad

Advertencia de la Propuesta 65 de California

 **ADVERTENCIA:** Cáncer y daño reproductivo - www.P65Warnings.ca.gov

Lea todas las instrucciones antes de usar el electrodoméstico.

Instale y guarde la lavavajillas en un lugar interior, no expuesto a los factores climáticos.

PRECAUCIÓN

- No instale la lavavajillas cerca de componentes eléctricos. Mantenga la lavavajillas alejada de llamas abiertas.
- No instale la lavavajillas sobre una alfombra ya que existe peligro de incendio.
- No instale la lavavajillas en áreas donde el agua se congele (donde la temperatura descienda por debajo de 32 °F (0 °C)). El agua congelada en las mangueras o en las cañerías puede dañar la lavavajillas.
- Al igual que con cualquier equipo que requiere electricidad, agua y piezas móviles, existen riesgos potenciales. Para usar este electrodoméstico en forma segura, familiarícese con su funcionamiento y manéjelo con cuidado cuando lo use.

Esta lavavajillas debe conectarse a tierra correctamente. Nunca la conecte a un tomacorriente sin conexión a tierra.

Antes de quitar la lavavajillas original e instalar la nueva unidad, asegúrese de desactivar su disyuntor. No conecte la lavavajillas hasta haber completado la instalación. El último paso de la instalación de la lavavajillas es la conexión del cable de alimentación.

Todo el cableado y la conexión a tierra deben realizarse en conformidad con el código eléctrico vigente en la región.

INSTRUCCIONES DE CONEXIÓN A TIERRA

Para un electrodoméstico con conexión permanente:

Este electrodoméstico debe estar conectado a un metal con conexión a tierra, un sistema de cableado permanente o a un conductor con conexión a tierra del equipo a los conductores del circuito y a la terminal con conexión a tierra del equipo.

La lavavajillas es muy pesada. No intente mover o trasladar una lavavajillas usted solo. Se necesitan dos o más personas para mover una lavavajillas y evitar lesiones potenciales.

PRECAUCIÓN

- Si se daña el cable de alimentación, este deberá ser reemplazado por el fabricante, su agente de reparaciones o una persona igualmente calificada a fin de evitar accidentes.
- No toque el cable de alimentación con las manos mojadas.
- No conecte otro electrodoméstico en el mismo tomacorriente donde está enchufada la lavavajillas.

CONSERVE ESTAS INSTRUCCIONES



Asegúrese de utilizar un conducto nuevo. Los conductos viejos pueden romperse debido a que se endurecen y pueden ocasionar daños materiales por pérdidas de agua.

La lavavajillas debe estar conectada al suministro de agua caliente con una temperatura entre 120 °F (49 °C) y 149 °F (65 °C). Este rango de temperatura ofrece un mejor resultado en el lavado y un ciclo más corto. La temperatura no deberá exceder los 149 °F (65 °C) para no dañar la vajilla. Asegúrese de que el agua provista a la lavavajillas no se congele. El agua congelada puede dañar las mangueras, válvulas, bombas u otros componentes.

Las lavavajillas residenciales certificadas no han sido diseñadas para los establecimientos alimentarios autorizados.

(Estándar NSF/ANSI 184 para Lavavajillas de Uso Residencial)

Para obtener una lista completa de información sobre seguridad, remítase al Manual del usuario.

Antes de usar la lavavajillas

ADVERTENCIA



Riesgo de vuelco

- No utilice la lavavajillas hasta que no esté correctamente instalada.
- No ejerza presión sobre la puerta de la lavavajillas cuando está abierta.
- No coloque excesivo peso sobre la puerta de la lavavajillas cuando está abierta.



Riesgo de descarga eléctrica

El incumplimiento de estas instrucciones puede tener como resultado la muerte, incendios o descargas eléctricas:

- Conecte a tierra la lavavajillas.
- Conecte el cable a tierra a la conexión a tierra de color verde de la caja de conexiones.
- No utilice un cable prolongador.

Para reducir el riesgo de descarga eléctrica, incendio o lesiones físicas, el instalador debe asegurarse de que la lavavajillas esté completamente ensamblada en el momento de la instalación.

CONSERVE ESTAS INSTRUCCIONES

Instalación

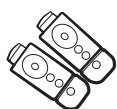
Asegúrese de que usted o su instalador siga estas instrucciones minuciosamente para que su nueva lavavajillas funcione adecuadamente y no existan riesgos de sufrir lesiones al lavar la vajilla.

PASO 1 Verifique las piezas y las herramientas

Antes de comenzar la instalación, prepare todas las herramientas y piezas necesarias requeridas para instalar la lavavajillas. Esto ahorrará tiempo y simplificará el proceso de instalación.

Piezas necesarias

Provistas con la lavavajillas. Verifique al desempacar la lavavajillas en el PASO 5.



2 ménsulas de instalación



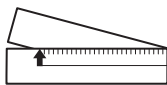
Placa de protección



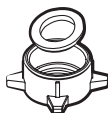
6 tornillos
(para la instalación de la placa de protección y la ménsula)



Autoadhesivo protector



Regla de papel



Conector de tuerca y sello (para adaptador de $\frac{3}{4}$ " de 90°)

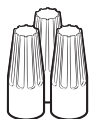


6 tapas plásticas

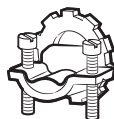
No provisto



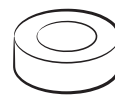
Cable de alimentación



Conector de resorte



Alivio de tensión



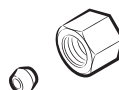
Cinta aislante y cinta americana estándar



Conducto de suministro de agua caliente



Adaptador de 90°
(de 3/4")



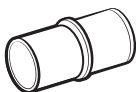
Adaptador del tubo



Abrazadera de manguera



Espacio de aire



Conector de goma

NOTA

Para el conducto de suministro de agua caliente - Recomendamos especialmente usar un tubo de cobre de diámetro exterior de un mínimo de 3/8" con adaptador de compresión o un conector flexible de acero inoxidable para el suministro de agua caliente.

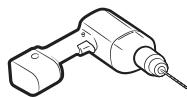
[Advertencia: No utilice tubos de plástico. Los tubos de plástico se pueden deteriorar con el tiempo y causar filtraciones en el adaptador del tubo.]

Se necesitan roscas para el tubo externo con un adaptador de 90° para tubo cónico de 3/4" en un extremo, y en el otro, roscas que se adapten al conducto de suministro de agua caliente (tubo de cobre/adaptador de compresión, manguera trenzada).

Para el cable de alimentación, recomendamos utilizar un cable recubierto de 12-2 con conexión a tierra. Tenga en cuenta que algunos códigos locales pueden requerir que el cable tenga un recubrimiento de metal del tipo BX.

Instalación

Herramientas requeridas



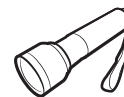
Taladro eléctrico



Lentes de seguridad



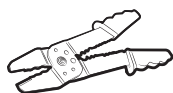
Guantes



Linterna



Llave ajustable



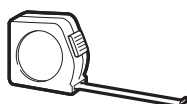
Alicate pelacable



Pinza



Alicate de corte



Cinta métrica



Lápiz



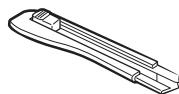
Destornillador
Phillips



Destornillador plano



Cortatubos



Cúter



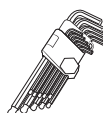
Fresa para escariar



Nivel



Torx t20



Llave en forma
de L para cabezas
hexagonales

NOTA

Instalación nueva

Si la instalación del lavavajillas es nueva, la mayor parte del trabajo debe realizarse antes de colocar el lavavajillas en su lugar.

Reemplazo

Si el lavavajillas reemplazara a un lavavajillas anterior, debe verificar que las conexiones existentes sean compatibles con el nuevo lavavajillas. Reemplace las conexiones existentes si fuera necesario.

PASO 2 Elección de la mejor ubicación para la lavavajillas

Los siguientes criterios son importantes para garantizar la mejor ubicación de la lavavajillas:

- La ubicación debe tener un piso macizo que pueda soportar el peso del lavavajillas.
- La ubicación deberá ser cercana al fregadero con un acceso fácil al suministro de agua, desagüe y tomacorriente.

NOTA

Para que el desagüe funcione correctamente, la lavavajillas debe estar instalada a 9.8 pies (3 m) del fregadero.

- La ubicación debe permitirle colocar la vajilla dentro del lavavajillas con facilidad.
- La ubicación debe contar con espacio suficiente para que la puerta de la lavavajillas pueda abrirse fácilmente y que quede espacio suficiente entre la lavavajillas y los laterales del gabinete (por lo menos 0.1 pulgadas (2 mm)).

NOTA

Si la lavavajillas se instalara en un rincón, asegúrese de que el lateral de la lavavajillas esté a más de 2 pulgadas (50 mm) de la pared o del gabinete hacia su derecha o izquierda.

- La pared trasera no debe presentar obstrucciones.
- Asegúrese de que el gabinete de la lavavajillas esté asegurado al piso. Si el gabinete no está asegurado, puede aumentar el ruido durante el funcionamiento de la lavavajillas.

Instalación

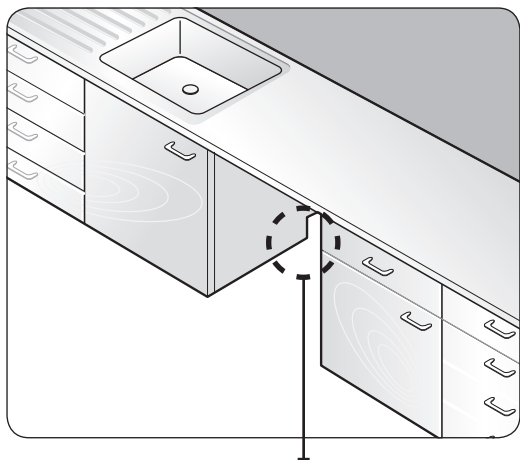
Si se trata de una instalación nueva, siga estos pasos:

1. Utilizando una fresa para escariar de 2¹/₂ pulgadas, realice una perforación en la pared del gabinete que soporta el fregadero como se detalla en la **Figura 1-1** a continuación.
2. Si la base dentro del gabinete del fregadero se eleva sobre el piso de la cocina y es más alta que las conexiones en la lavavajillas, debe hacerse un agujero en la base dentro del gabinete y en el lateral del gabinete como se detalla en la **Figura 1-2**.

NOTA

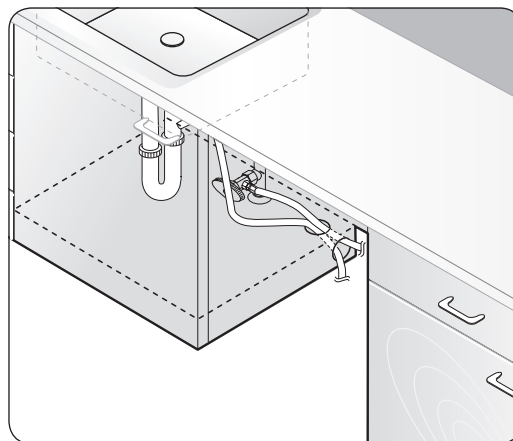
Dependiendo del lugar donde se encuentre el tomacorriente, puede ser necesario realizar un agujero en el lado opuesto al gabinete.

Figura 1-1



El agujero para el conducto, la manguera de desagüe y los cables de alimentación.

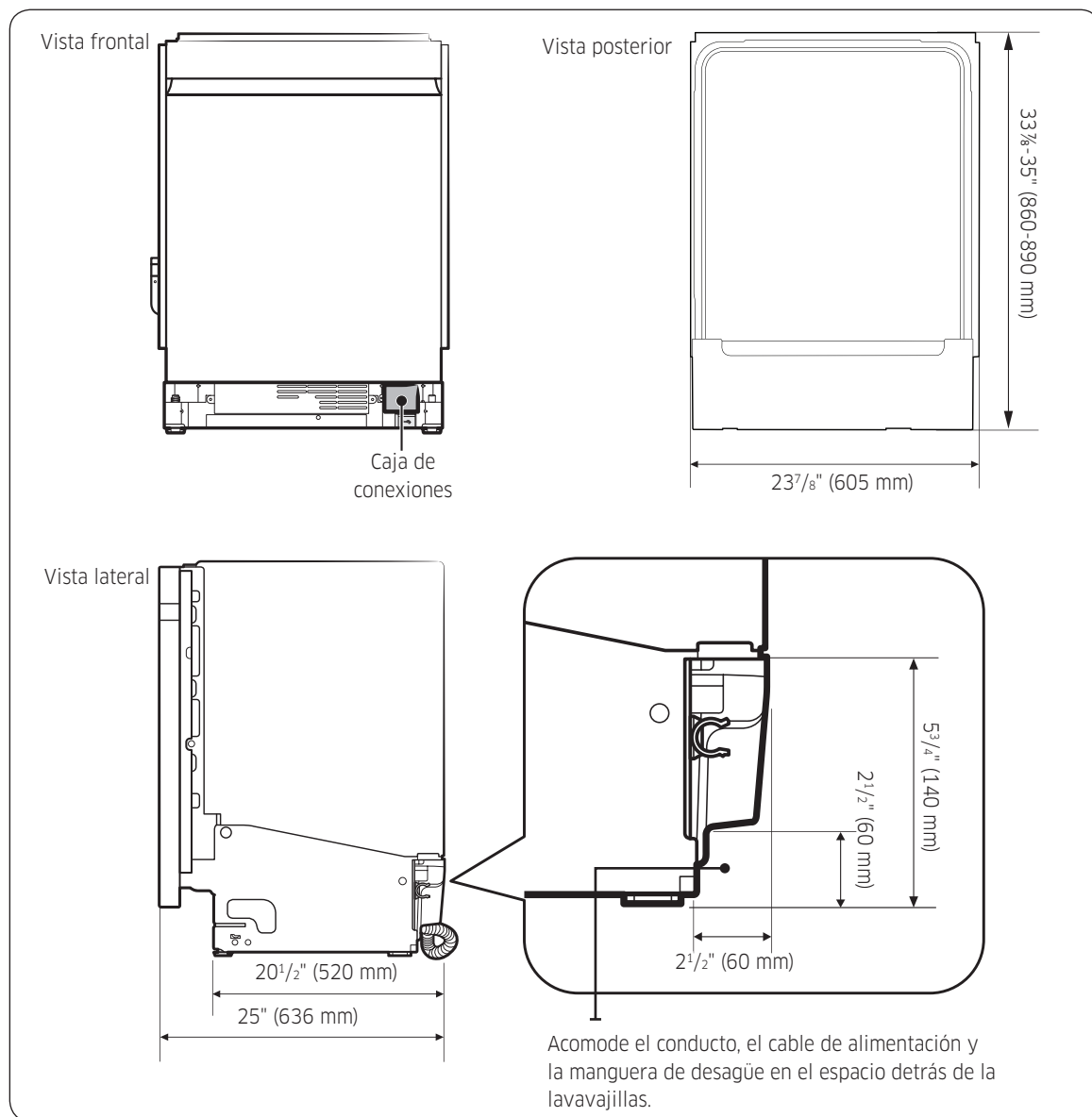
Figura 1-2



PRECAUCIÓN

Asegúrese de que los bordes del orificio del gabinete estén lisos antes de insertar la manguera de drenaje. Un borde afilado del orificio del gabinete puede causar daños a la manguera de drenaje y provocar pérdidas.

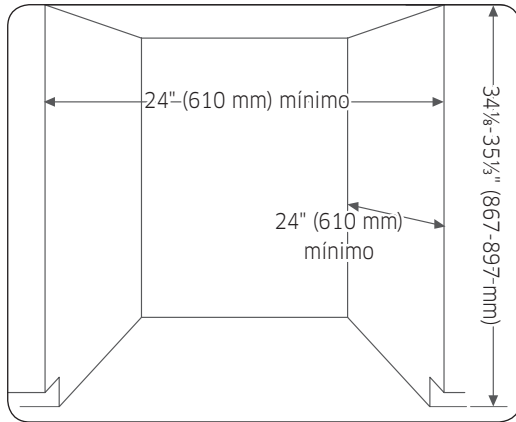
Dimensiones del producto



Instalación

Instalación

Dimensiones del gabinete



NOTA

Esta lavavajillas está diseñada para colocarse entre los lados y encima de un gabinete en una cocina residencial estándar. El gabinete para la instalación debe estar limpio y libre de obstrucciones.

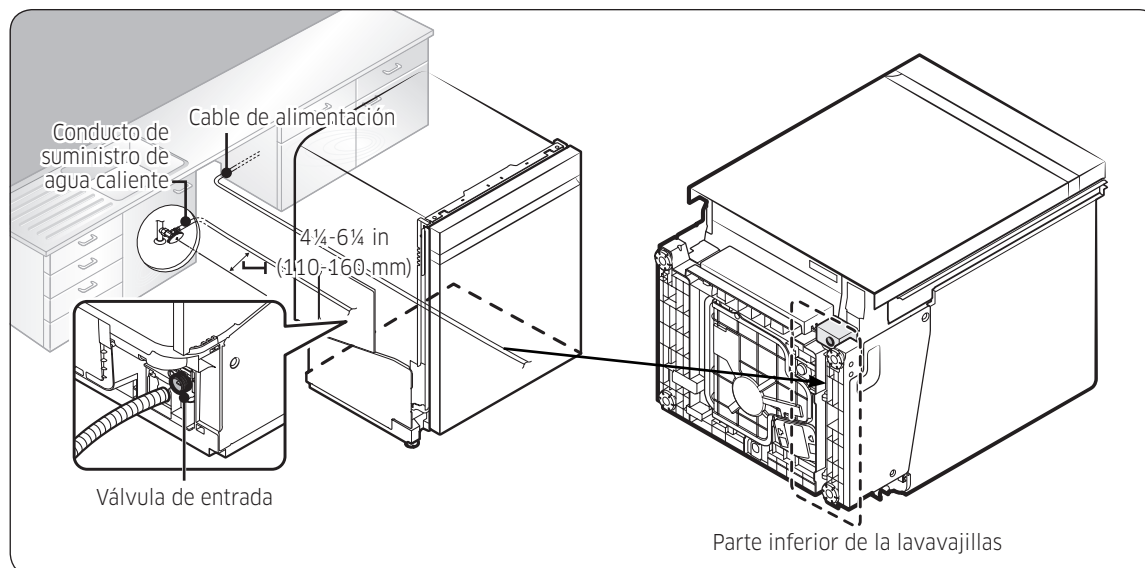
El gabinete debe tener por lo menos 24 pulgadas de ancho, 24 pulgadas de profundidad y 34¹/₈ pulgadas de altura.

Para que la puerta delantera de la lavavajillas esté nivelada con el borde delantero de la encimera, la encimera debe estar por lo menos a 25 pulgadas de profundidad.

PASO 3 Verifique los requisitos para el suministro de agua y precauciones

- La presión del conducto de agua caliente debe estar entre 20 y 120 psi (140 y 830 kPa).
- Ajuste el calentador de agua para obtener una temperatura de agua entre 120 °F (49 °C) y 149 °F (65 °C).
 - La lavavajillas debe estar conectada al suministro de agua caliente entre 120 °F (49 °C) y 149 °F (65 °C). Este rango de temperatura ofrece un mejor resultado en el lavado y un ciclo más corto. La temperatura no deberá exceder los 149 °F (65 °C) para no dañar la vajilla.
 - Asegúrese de que la válvula del suministro de agua esté cerrada antes de conectar el conducto de agua caliente al lavavajillas.
 - Selle las conexiones del conducto de agua caliente con cinta teflón o pasta de sellado para detener cualquier pérdida de agua.
 - La manguera de desagüe conectada al lavavajillas debe pasar por el orificio de la pared lateral a fin de conectarla a la salida del desagüe del fregadero. Cuando instale la lavavajillas, asegúrese de que no haya nada en la manguera de desagüe y tenga cuidado de no dañarla durante el proceso de instalación.

Figura 2



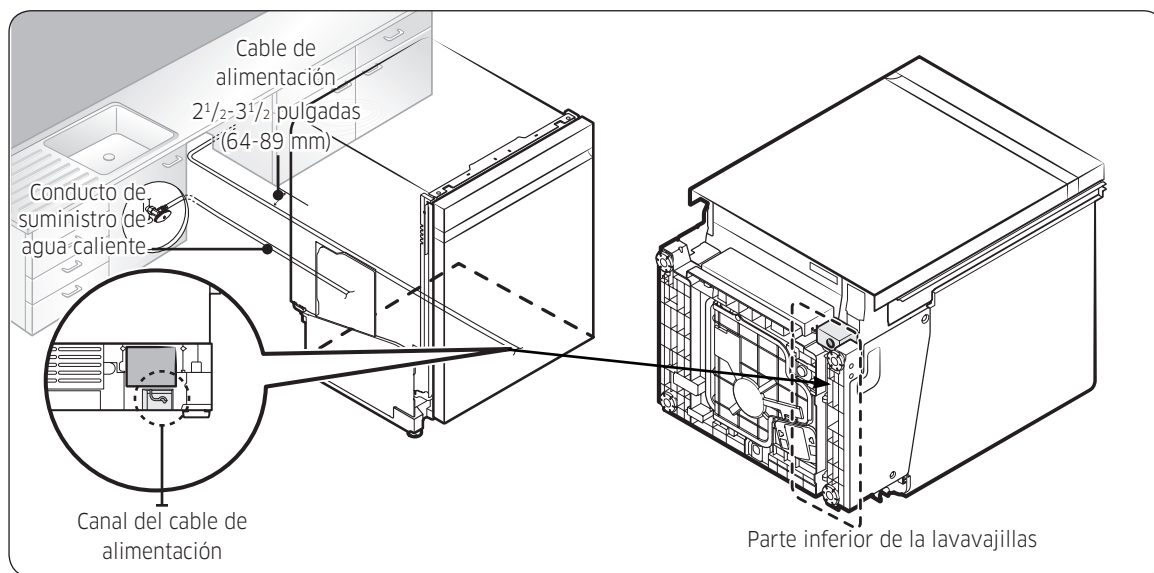
Instalación

PASO 4 Verifique los requisitos eléctricos y advertencias

Los requisitos eléctricos para la lavavajillas son los siguientes:

- En los Estados Unidos, instalar de conformidad con el Código Eléctrico Nacional/códigos estatales y municipales y/o códigos locales.
- En Canadá, instalar de conformidad con el Código Eléctrico Canadiense C22.1-última edición/códigos provinciales y municipales y/o códigos locales.
- Para conexiones directas de cable.
 - Utilice un cable de cobre recubierto enfundado no metálico con una conexión a tierra que cumpla con los requisitos de cableado de los códigos y ordenanzas locales.
 - Utilice el método del aliviador de tensión provisto con la caja de conexiones de cableado o instale una abrazadera de conector incluida en U.L./certificada por CSA- en la caja de conexión de cableado. Si utilizara un conducto, utilice un conector de conducto incluido en U.L./con certificación CSA.

Figura 3

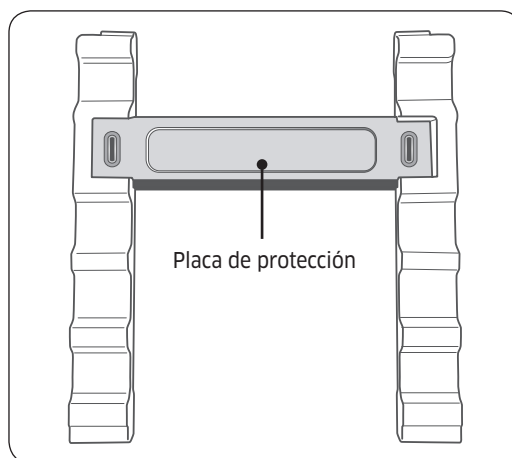


PASO 5 Desempacar e inspeccionar el lavavajillas

Desempaque la lavavajillas en una zona libre de obstrucciones ya sea alrededor de la caja como en la parte superior. Recomendamos que conserve todos los materiales del empaque hasta que la lavavajillas esté completamente instalada y en funcionamiento para asegurarse de que haya retirado todas las piezas del producto de la caja antes de desecharla.

Desempaque

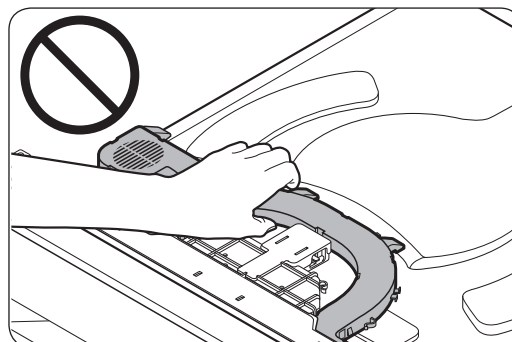
1. Ubique el lado derecho de la caja con las flechas superiores señalando hacia arriba.
2. Desate o corte las correas que aseguran la caja.
3. Desempaque el producto con cuidado.
4. Coloque las correas y todos los materiales de empaque que se encuentren alrededor de la lavavajillas y verifique que no tengan daño alguno.
5. Localice y separe la placa de protección de la lavavajillas. La placa de protección está sujeta al material de empaque de la lavavajillas.



6. Levante la lavavajillas de la bandeja de la caja, y luego colóquela sobre el piso.

⚠ PRECAUCIÓN

- SIEMPRE LEVANTE LA LAVAVAJILLAS PARA MOVERLA. Arrastrar la lavavajillas sobre superficies irregulares puede dañar los soportes, y arrastrar los soportes sobre superficies lisas puede, en algunos casos, dañar la capa superior o la capa inferior de dicha superficie.
- Cuando mueva la lavavajillas, tenga cuidado de no sujetarla por el conducto de aire superior.



7. También se encuentra material de empaque dentro de la lavavajillas, que tal vez quiera conservar hasta que haya instalado la máquina.
8. NO retire, bajo ninguna circunstancia, el aislante de protección que rodea el exterior de la cuba de la lavavajillas.



Instalación

Inspección

Mecánica

1. Verifique el montaje de la base de plástico para asegurarse que esté intacto.
2. Verifique los soportes de la lavavajillas para asegurarse de que estén en su lugar y que puedan ajustarse con el fin de nivelar y asegurar la lavavajillas.
3. Verifique todas las piezas visibles en la parte inferior de la lavavajillas para asegurar que estén intactas y seguras.
4. Verifique la traba de la puerta, el funcionamiento de las bisagras, y confirme que la puerta esté correctamente asegurada a la lavavajillas.

Cañerías

1. Verifique la conexión de agua caliente en el lado izquierdo trasero de la base de la lavavajillas. La placa de montaje debe estar asegurada a la parte trasera de la base, las roscas de la conexión deben ser lisas y brillosas y la zona debe estar limpia y libre de fragmentos.
2. Revise que la lavavajillas y todos los accesorios estén incluidos en la caja para asegurarse de que estos montajes no estén dañados y que todas las conexiones estén aseguradas.
3. Verifique que la manguera de desagüe no tenga perforaciones o deformidades que ocasionen la filtración de agua durante el desagüe.

Eléctrica

1. Confirme que la tapa de la caja de conexiones esté asegurada a la caja de conexiones en el lado derecho delantero de la base de la lavavajillas.
2. Confirme que la caja eléctrica no se haya dañado durante el transporte y que esté asegurada a la base de la lavavajillas.

Apariencia

1. Confirme que no haya abolladuras o raspones en la parte del frente de la lavavajillas.
2. Verifique que los bordes de la puerta no tengan ninguna imperfección o daño.
3. Verifique el panel de control para asegurarse de que esté limpio y sin daño, y que todos los verificadores de control estén en su lugar.

Piezas

Verifique que tenga todas las piezas enumeradas en el **PASO 1** en la **página 6**.



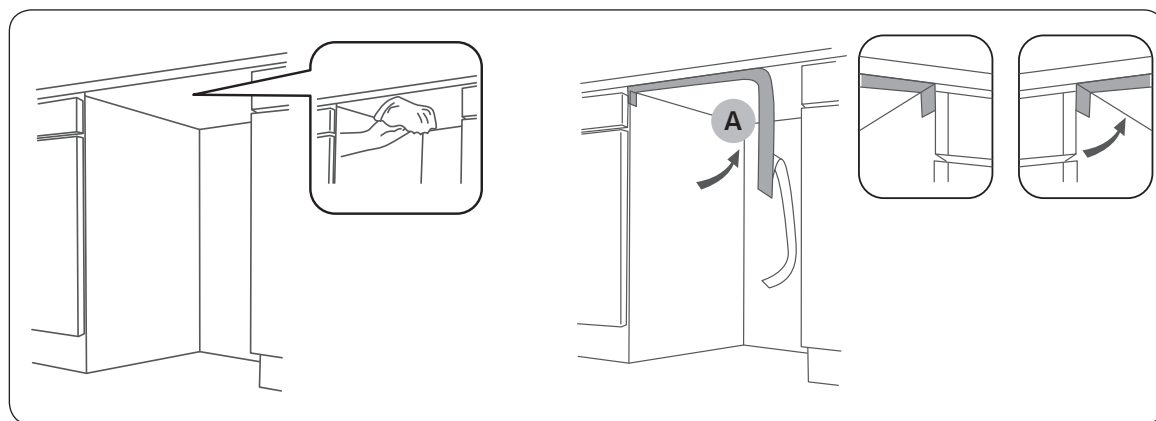
PASO 6 Preparación del lavavajillas

1. Una el autoadhesivo protector (A).

- Para evitar daños, coloque el autoadhesivo protector en la parte inferior de la encimera como se muestra en la imagen.

NOTA

- Antes de aplicar el autoadhesivo protector, limpie la encimera como se muestra en la imagen.
- Tenga en cuenta que el autoadhesivo protector mide 26 pulgadas (660 mm) de largo.



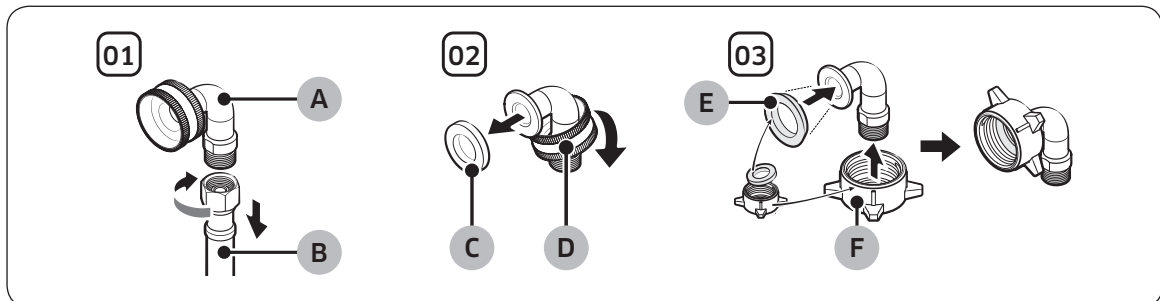
- ### 2. Asegúrese que el disyuntor y la válvula del suministro de agua estén desactivados antes de continuar con los siguientes pasos.

PRECAUCIÓN

Antes de mover o apoyar la lavavajillas para su instalación, debe asegurarse de ajustar la altura de las patas de modo que estas sean lo más cortas posible. Esto evita que las patas se rompan. Nivele la lavavajillas ajustando la altura de las patas luego de colocar la máquina en su lugar.

Instalación

3. Use el conector de tuerca provisto para conectar la manguera de agua al lavavajillas.
Siga estos pasos:



- 01 Desconecte el adaptador de 90° (A) de la manguera (B).
- 02 Retire el sello (C) y la tuerca (D) del adaptador de 90°.
- 03 En el conector de tuerca provisto, separe el sello (E) y la tuerca (F) y luego ensámblelos en el adaptador de 90° como se ilustra en la figura. Debe insertar el lado más pequeño del sello.
4. Luego, inserte el adaptador de $\frac{3}{4}$ " 90 grados en la válvula de entrada (ver la **Figura 4-B**). Ajuste hasta que el adaptador de $\frac{3}{4}$ " quede ajustado. No lo ajuste demasiado.
5. Separe las tiras que velcro que fijan la manguera de desagüe a la parte trasera de la lavavajillas. Desenrolle la manguera. Asegúrese de que no haya dobleces y que la manguera no está inclinada en ninguno de los ángulos extremos que podrían obstruir el flujo del agua.
6. Con un destornillador quite la tapa de la caja de las conexiones ubicada en la parte inferior derecha del frente de la lavavajillas y luego instale el alivio de tensión (**Figura 4 - C**). Asegúrese de conservar la tapa de la caja de conexiones que quitó. Se utiliza en el **PASO 11**, Conexiones del cableado.
7. Si la encimera es de madera o si se trata de un material que no se daña al perforarlo, coloque las dos (2) ménsulas de instalación que fueron provistas con la lavavajillas utilizando los tornillos provistos (**Figura 4 - A**). Se utilizarán en el **PASO 9**, Fijación de la lavavajillas.

Si la manguera de desagüe debe ir a la derecha de la lavavajillas, asegúrela en el fijador de la manguera montado en la base. El fijador de la manguera puede instalarse en tres posiciones. Para mover el fijador de la manguera, presiónelo suavemente para que gire hacia la izquierda. Asegúrelo en la zona marcada con la flecha.

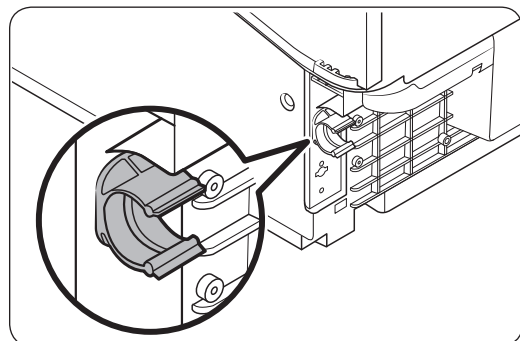
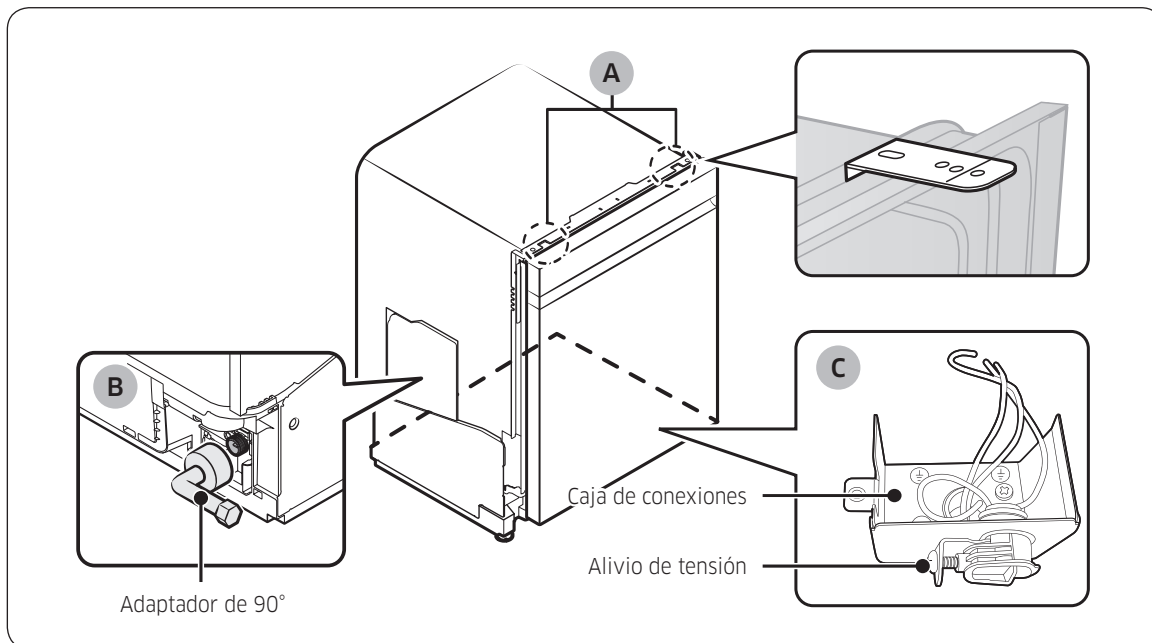


Figura 4



⚠ PRECAUCIÓN

No ajuste demasiado el adaptador de 90°. (Menos de 280 lb-en (31.6 N·m))

Si lo hiciera, podría dañar la válvula de entrada de agua y ocasionar una pérdida de agua.

Instalación

PASO 7 Colocación del lavavajillas y conexión del conducto del suministro de agua caliente

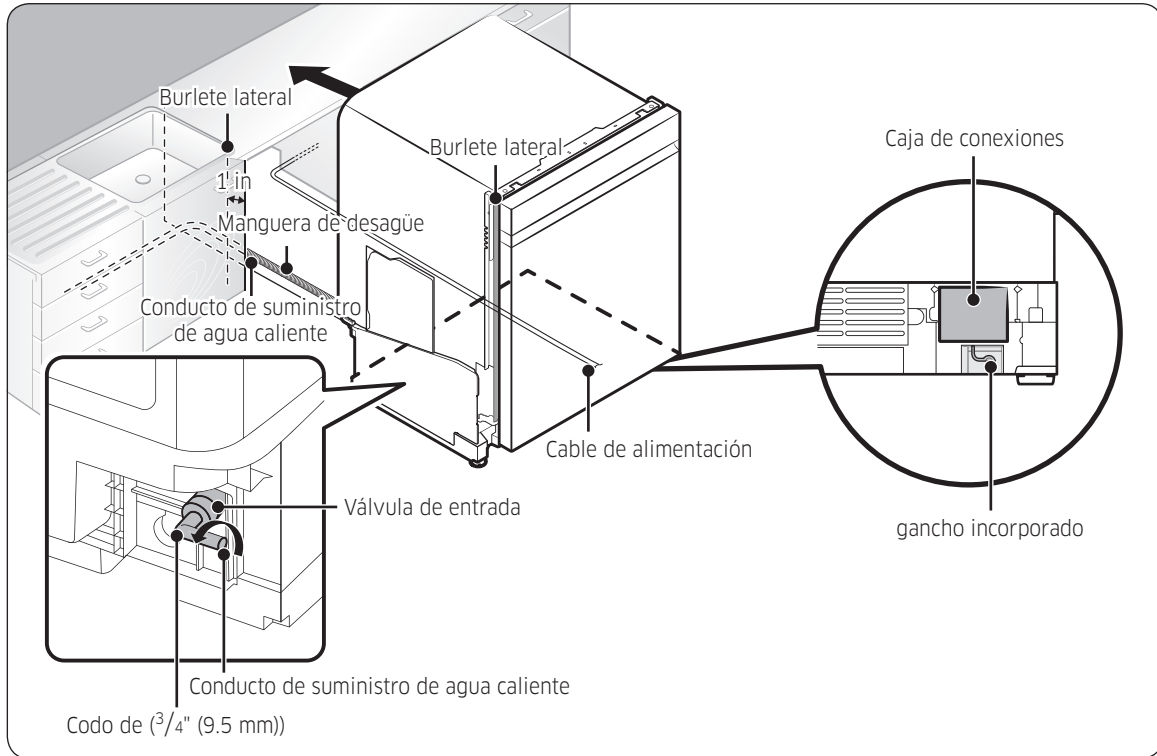
1. Regule las tres patas niveladoras en la parte inferior de la lavavajillas después de medir la altura de la abertura del gabinete desde abajo de la encimera hasta el piso. (Ver el PASO 8, Nivelación de la lavavajillas.)
2. Ubique el conducto del agua caliente y el cable de alimentación.
3. Coloque la lavavajillas de manera tal que el conducto del agua caliente esté en el lado izquierdo y el cable de alimentación quede ubicado en el canal derecho de la base de la lavavajillas. El canal del lado derecho para el cable de alimentación cuenta con un gancho incorporado que permite asegurar el cable.
4. Saque la manguera de desagüe por el orificio en la pared lateral del gabinete del fregadero. Asegúrese de que no haya dobleces.
5. Asegúrese de que el conducto del agua caliente no esté torcido y luego conecte el conducto de agua caliente a la junta del adaptador.
6. Deslice la lavavajillas con cuidado hacia su espacio de instalación. De ser posible, retire suavemente todo tramo en exceso del conducto de agua, manguera de desagüe o cable de alimentación mientras mueve la lavavajillas. Si fuera necesario, acuda a otras personas que lo ayuden a realizar esta tarea.

PRECAUCIÓN

No coloque el lavavajillas sobre el conducto, la manguera de desagüe o el cable de alimentación. También asegúrese de que no estén enroscados o doblados.

- Asegúrese de que el conducto de agua caliente esté bien conectado. Envuelva con cinta Teflón todas las conexiones para evitar pérdidas. Asegúrese de que los burletes laterales estén perfectamente insertados. De lo contrario, puede aumentar el ruido durante el funcionamiento de la lavavajillas.
- Asegúrese de que los dos burletes laterales estén entre $1\frac{3}{16}$ " y 1" (20-25 mm) del extremo frontal del gabinete de la cocina. Si la distancia es inferior puede aumentar el ruido durante el funcionamiento de la lavavajillas.

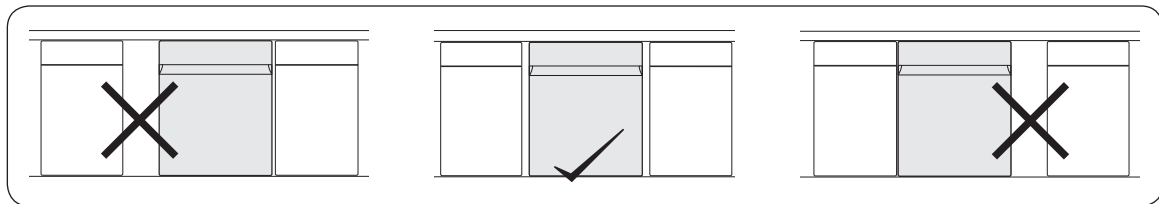
Figura 5



⚠ PRECAUCIÓN

No ajuste demasiado el adaptador de 90°. (Menos de 280 lb-en (31.6 N·m))

Si lo hiciera, podría dañar la válvula de entrada de agua y ocasionar una pérdida de agua.

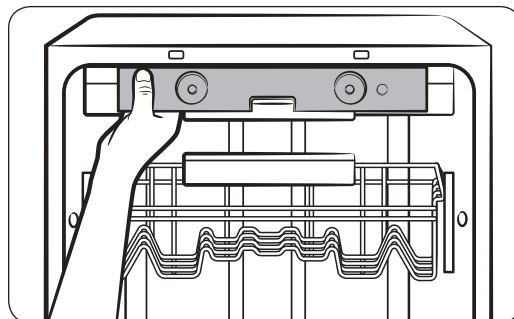


Asegúrese de que la lavavajillas esté ubicada en el centro.

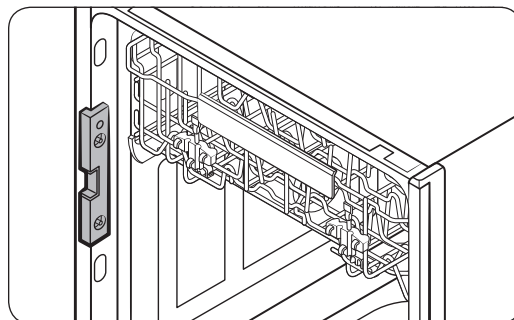
Instalación

PASO 8 Nivelación del lavavajillas

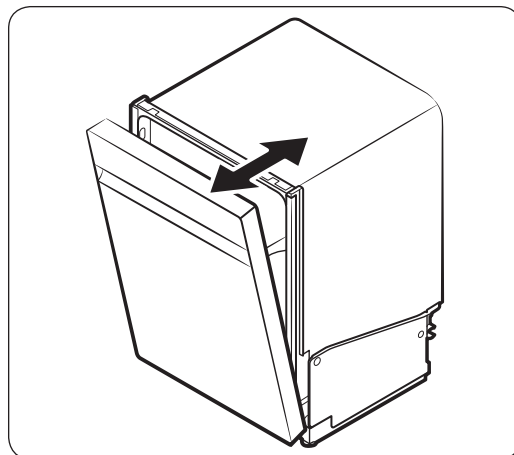
1. Abra la puerta y coloque el nivel contra la parte superior de la cuba desde adentro y verifique si la lavavajillas está nivelada. Si no lo está, gire las patas niveladoras en la parte inferior delantera de la lavavajillas hasta que quede nivelada. Vea la primera nota debajo de las instrucciones sobre el ajuste de la altura de las patas delanteras.



2. Utilice el nivel para verificar si la lavavajillas está nivelada de adelante hacia atrás, como se muestra en la figura de la derecha. Si la lavavajillas no está nivelada de adelante hacia atrás, ajuste la altura de la pata trasera hasta que la lavavajillas esté nivelada. Vea la segunda nota debajo de las instrucciones sobre el ajuste de la pata trasera.

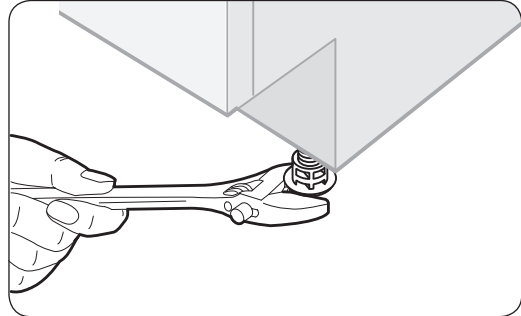


3. Abra la puerta de la lavavajillas y verifique que tanto la separación de la cuba como la de la puerta sean correctas. Si no es así, gire las patas niveladoras en la parte inferior delantera de la lavavajillas. También puede verificar esto ubicando un nivel contra una superficie interior vertical delantera de la cuba.



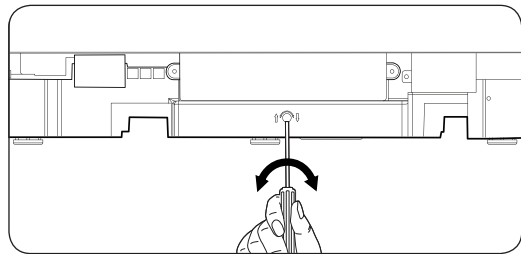
NOTA

- Si gira las patas niveladoras hacia la izquierda (en el sentido de las agujas del reloj), estas se aflojan y la parte delantera del lavavajillas se levanta. Si las gira hacia la derecha (en el sentido contrario al de las agujas del reloj), se ajustan y la parte delantera del lavavajillas baja.
- Puede regular las patas niveladoras un máximo de $16/32$ " No obstante, no es recomendable ajustarlas a esta altura máxima.



NOTA

Para ajustar la altura de una pata trasera, gire el Torx 210 (en el lado delantero de la base) hacia la izquierda para levantar la parte posterior de la lavavajillas utilizando la herramienta apropiada (Torx T20).



PRECAUCIÓN

- Antes de mover la lavavajillas para su instalación, debe asegurarse de ajustar la altura de las patas de modo que estas sean lo más cortas posible. Esto evita que las patas se rompan. Nivele la lavavajillas ajustando la altura de las patas luego de colocar la máquina en su lugar.
- Si instala el producto desnivelado o sin una pata, la puerta puede que no cierre completamente, lo que daría lugar a fugas de vapor o de agua.
- Cuando ajuste la altura de la lavavajillas, asegúrese de que el burlete superior esté perfectamente insertado debajo de la parte superior del gabinete de la cocina. De lo contrario, puede aumentar el ruido durante el funcionamiento de la lavavajillas.

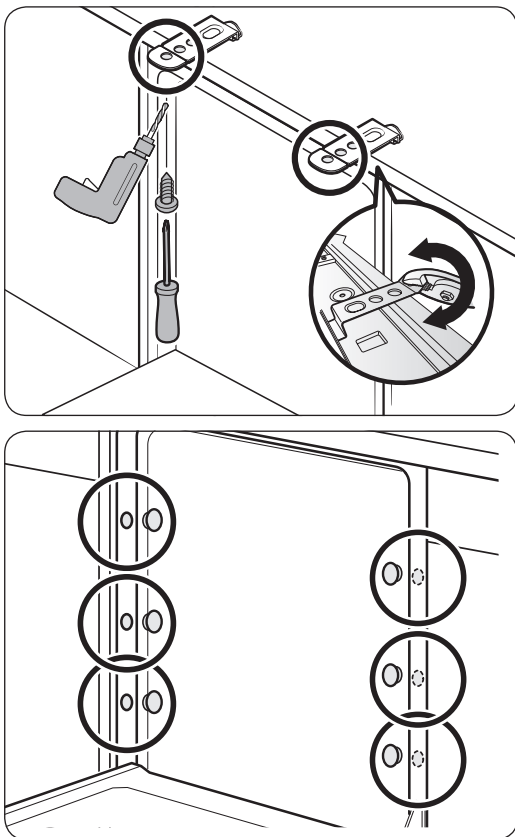
Instalación

PASO 9 Asegurar la lavavajillas

La lavavajillas debe fijarse a la encimera o a las paredes laterales para mayor estabilidad y seguridad.

A la encimera

Si la encimera está hecha de madera de un material que no se daña por la perforación, siga las siguientes instrucciones.



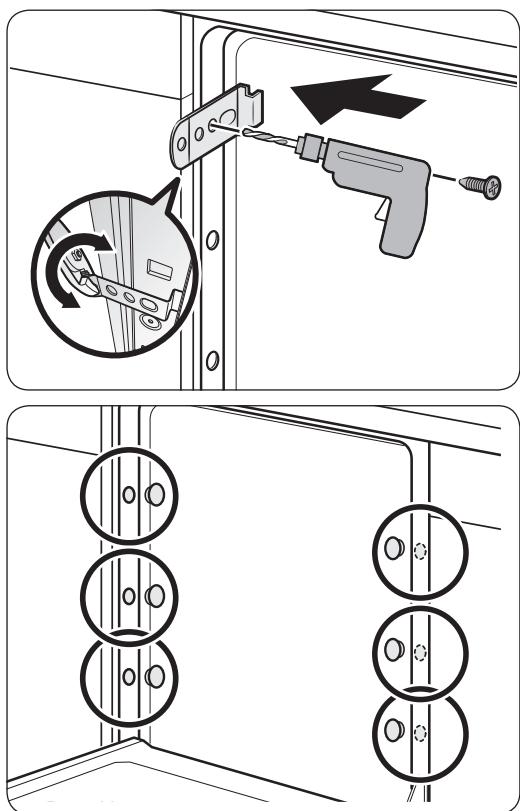
1. Coloque una toalla grande en la parte inferior de la lavavajillas (que cubra el filtro) para evitar que caigan restos de madera o un tornillo dentro del sumidero del sumidero.
2. Inserte las ménsulas que se proveen en los orificios de la parte superior delantera de la lavavajillas.
Si las ménsulas son demasiado largas, córtelas utilizando un alicate de corte.
3. Perfore los orificios superpuestos de los soportes.
Asegúrese de que el orificio sea más pequeño que el diámetro del tornillo.
4. Ajuste los tornillos provistos.
5. Ensamble las tapas plásticas provistas como se ilustra.

⚠ PRECAUCIÓN

- Luego de instalar la lavavajillas en el gabinete, asegúrese de que la puerta se abra y se cierre libremente sin que interfiera el gabinete.
- Si no se ensamblan las tapas plásticas, puede haber una pérdida de agua que cause un incendio o descarga eléctrica.

Hacia los laterales

Si la encimera está hecha de granito, mármol o cualquier otro material que no se daña por la perforación, siga las siguientes instrucciones.



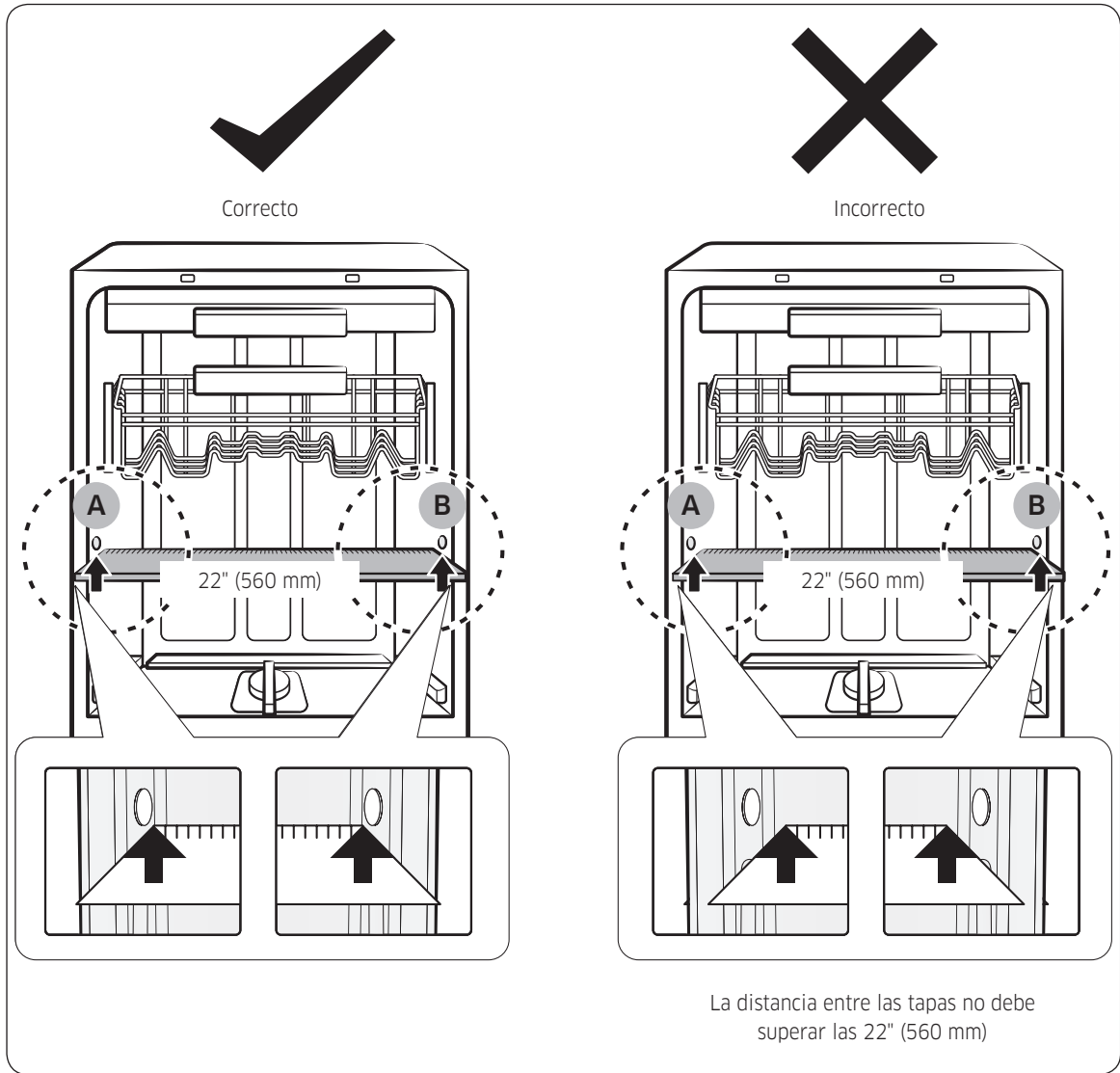
1. Coloque una toalla grande en la parte inferior de la lavavajillas (que cubra el filtro) para evitar que caigan restos de madera o un tornillo dentro del sumidero del sumidero.
2. Inserte las ménsulas que se proveen en los orificios de la parte lateral delantera de la lavavajillas.
Si las ménsulas son demasiado largas, córtelas utilizando un alicate de corte.
3. Perfore un orificio en ambos lados del gabinete de la cocina.
Asegúrese de que el orificio sea más pequeño que el diámetro del tornillo.
4. Ajuste los tornillos provistos.
5. Ensamble las tapas plásticas provistas como se ilustra.

⚠ PRECAUCIÓN

- Luego de instalar la lavavajillas en el gabinete, asegúrese de que la puerta se abra y se cierre libremente sin que interfiera el gabinete.
- Si no se ensamblan las tapas plásticas, puede haber una pérdida de agua que cause un incendio o descarga eléctrica.

Instalación

Instalación



⚠ PRECAUCIÓN

Asegúrese de que la cuba no se deforme a causa de la presión de los tornillos. Si la cuba se deforma, desajuste los tornillos levemente. Reemplace las tapas plásticas.

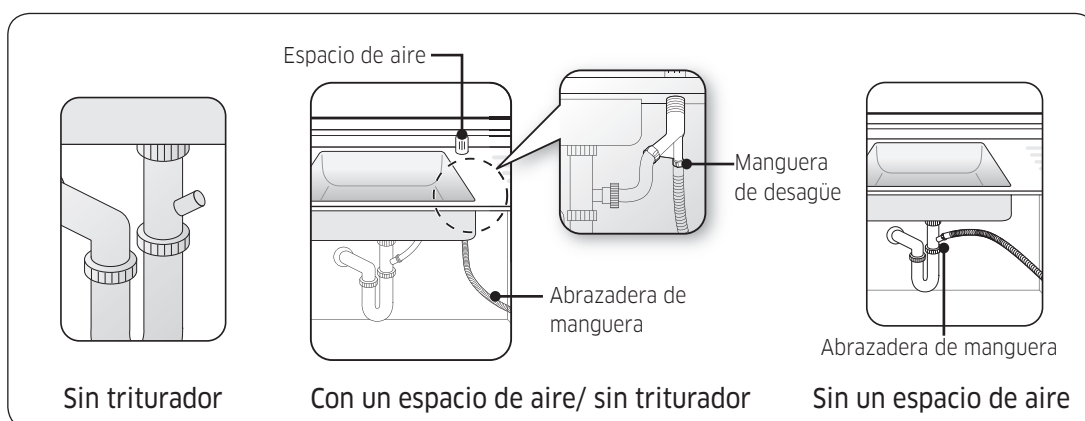
Use la regla de papel para medir la distancia especificada en A y B.

PASO 10 Ajuste

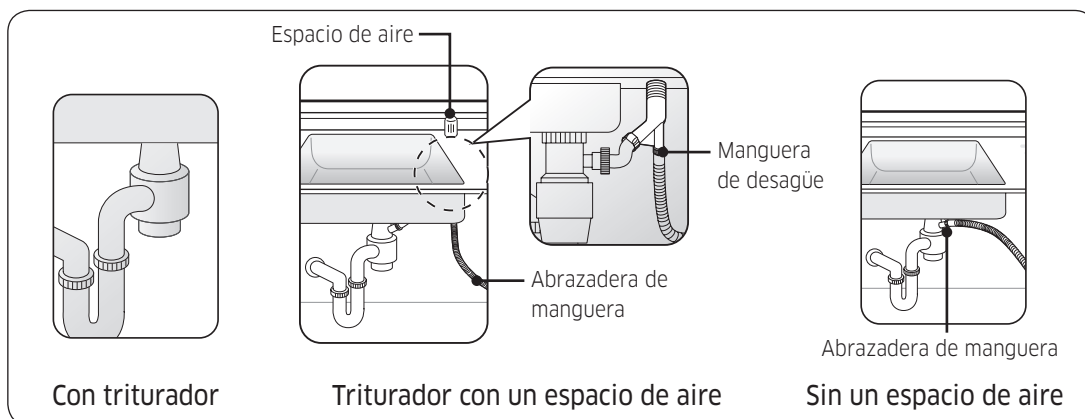
1. Verifique las piezas del fregadero a las cuales se conectará la manguera de desagüe.
2. Hay muchas maneras de insertar la manguera de desagüe en el conector de la manguera de desagüe del fregadero, como se muestra en las siguientes figuras. Debe conectar la salida del desagüe conforme a las reglamentaciones de instalación de tuberías de agua de su región.

Figura 8

Caso 1. Sin triturador



Caso 2. Con triturador



3. Verifique el tamaño del conector de la manguera de desagüe del fregadero. Si fuera necesario, corte la manguera de desagüe para que encaje en el conector del fregadero ($\frac{3}{8}$ pulgada o 1 pulgada, como se muestra en la **Figura 9** siguiente). Si el extremo de la manguera de desagüe no calza en el conector de la manguera de desagüe del fregadero, use un adaptador que pueda adquirir en un negocio de suministros de plomería/ ferretería.

Instalación

4. Deslice una abrazadera de manguera en el extremo de la manguera de desagüe. Conecte la manguera de desagüe al conector del fregadero, deslice la abrazadera de la manguera hacia el extremo final de la manguera, y luego ajuste la abrazadera de la manguera.

NOTA

Debe utilizar una abrazadera de manguera. Si no lo hace, es posible que haya pérdidas de agua.

5. Para evitar el flujo de retorno, asegure la manguera de desagüe en la pared lateral o trasera del gabinete de la cocina mediante sujetacables o con otras monturas. Asegúrese de que la manguera de desagüe se encuentre al menos a una altura de 20 pulgadas del piso. (Consulte la **Figura 10**.)
6. Cuando realice un agujero en la pared del gabinete para la manguera de desagüe, tenga cuidado de que los bordes filosos del orificio no dañen la manguera. Si las paredes son de madera, lije los bordes para suavizarlos.
Si las paredes son de metal, use cinta aislante o cinta americana para cubrir los bordes filosos alrededor del agujero.
7. Tenga cuidado de no dañar la manguera de desagüe al instalar la lavavajillas en el piso, la pared o el gabinete.

NOTA

Para evitar pérdidas o problemas de drenaje, asegúrese de que la manguera de desagüe no esté dañada, retorcida o enredada.

8. No corte la zona retorcida de la manguera de desagüe para que se adapte al tamaño. Cuando acomode la manguera de desagüe, tenga cuidado de no tocar los bordes filosos del gabinete o bajo el fregadero.

PRECAUCIÓN

- Tenga cuidado al cortar el extremo de la manguera de desagüe ya que podría lastimarse. Limpie el área de conexión del desagüe del fregadero para evitar que la manguera se dañe. Verifique que no haya objetos extraños en la manguera de desagüe y quítelos.
- Cuando acomode la manguera de desagüe, asegúrese de que no tenga cortes causados por los bordes filosos del piso, el producto o el gabinete. Una manguera dañada causa pérdidas.
- Asegúrese de desconectar el triturador de comida.

Figura 9

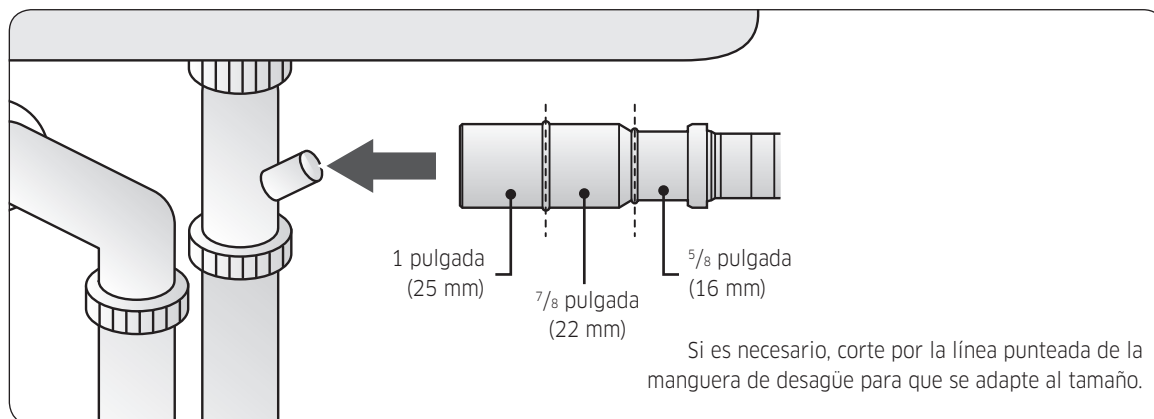
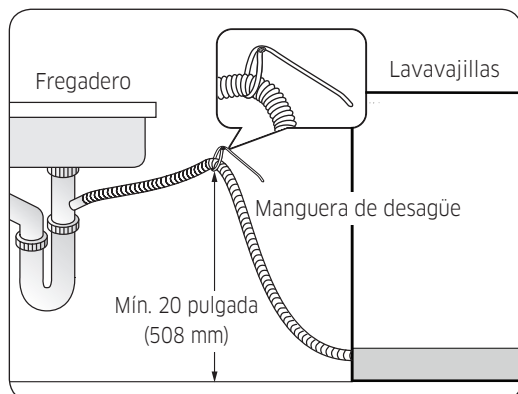


Figura 10



Para evitar el flujo de retorno en los modelos sin espacio de aire, asegure la manguera de desagüe en la pared lateral del gabinete de la cocina mediante sujetacables o con otras monturas. Asegúrese de que la manguera de desagüe se encuentre al menos a una altura de 20 pulgadas de la parte inferior.

Instalación

PASO 11 Conexiones del cableado

1. Antes de conectar el cable de alimentación a la lavavajillas, asegúrese de desactivar el disyuntor.
2. En la caja de conexiones que se encuentra ubicada en la parte delantera derecha inferior de la lavavajillas, busque los tres cables de alimentación de la lavavajillas inclusive la conexión a tierra.
3. Pase el cable de alimentación al alivio de tensión, y luego dentro de la caja de conexiones (Figura 11).
4. Conecte el cable negro de la lavavajillas al cable negro del cable de alimentación insertando ambos en la tuerca para cable y luego rote el conector de cables, como se muestra en la Figura 12.
Conecte el cable blanco al cable blanco y el verde al verde del mismo modo.
5. Revise nuevamente cada uno de los cables para asegurarse de que están conectados correctamente y en una manera segura.
Cada cable de un color debe conectarse con el cable del mismo color correspondiente.
El cable blanco debe conectarse con el blanco, el negro con el negro y el verde con el verde.
6. Reconecte la tapa de la caja de conexiones de la lavavajillas.

Figura 11

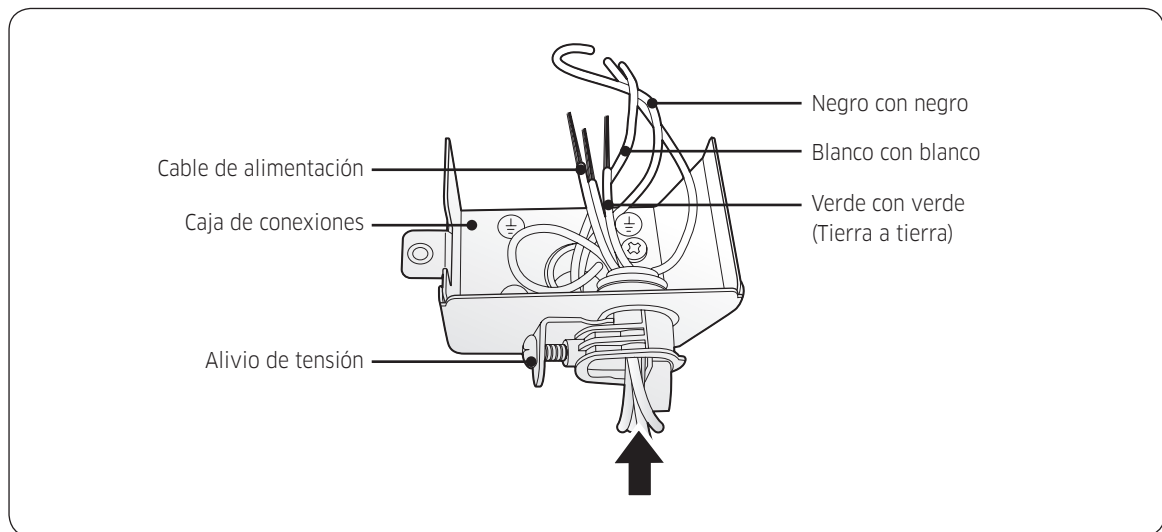
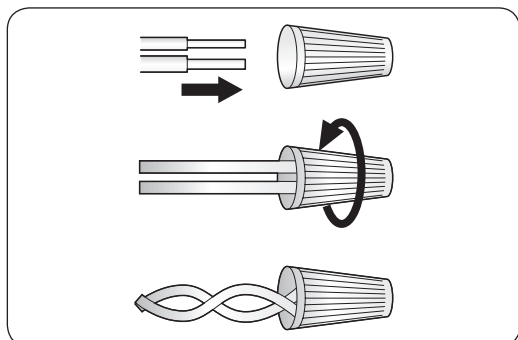


Figura 12



⚠ ADVERTENCIA

- **Riesgo de descarga eléctrica**
Para evitar descargas eléctricas, no manipule un circuito energizado. Si lo hiciera, podría causar lesiones graves o incluso la muerte. Solo los técnicos de servicio calificados pueden realizar conexiones eléctricas. No intente manipular el circuito de suministro eléctrico de la lavavajillas hasta que no esté seguro de que está desenergizado.
- **Riesgo de incendio**
Para evitar el riesgo de incendio, asegúrese de que la instalación eléctrica sea correcta. Solo los técnicos de servicio calificados pueden realizar conexiones eléctricas.

📄 NOTA

Revise nuevamente cada uno de los cables para asegurarse de que están conectados correctamente y en una manera segura.
Cada cable de un color debe conectarse con el cable del mismo color correspondiente.

Instalación

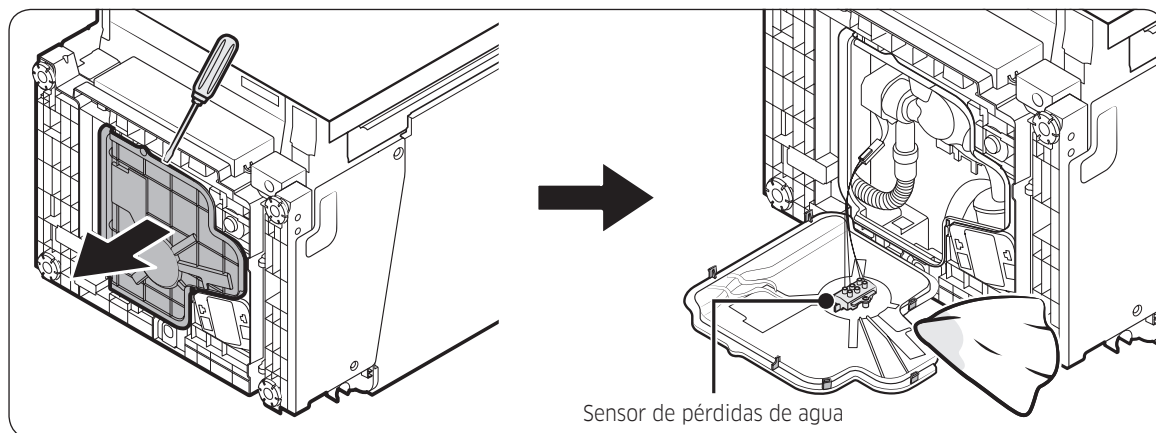
PASO 12 Finalización de la instalación

1. Abra la puerta y quite todas las piezas innecesarias, goma espuma y empaque de papel.
2. Active el disyuntor desactivado antes de comenzar la instalación.
3. Abra la válvula del suministro de agua para suministrar agua a la lavavajillas.
4. Encienda la lavavajillas y luego seleccione y ejecute un ciclo.

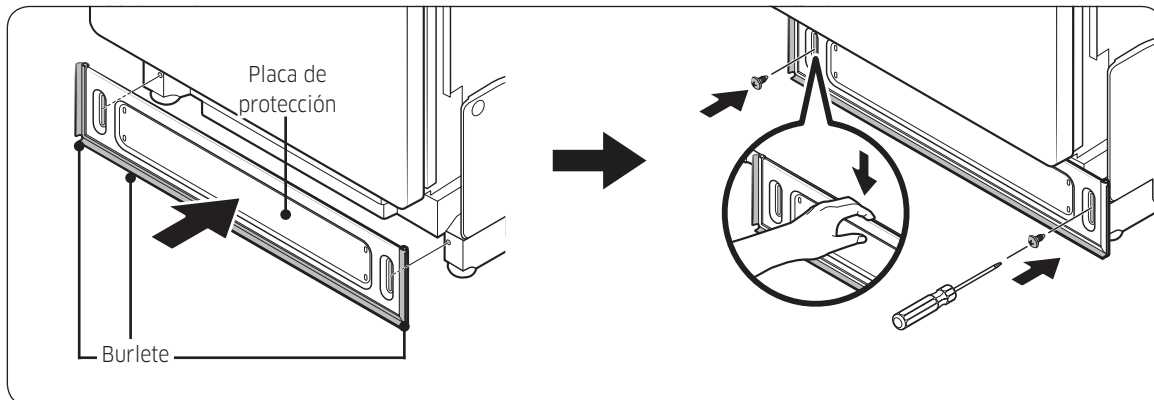
⚠ PRECAUCIÓN

Verifique las filtraciones de agua en ambos extremos del conducto de agua y en el conector de la manguera de desagüe.

5. Verifique si la lavavajillas se enciende correctamente o si hay alguna pérdida. Si no hay ningún problema, apague la lavavajillas. Omita los pasos 6 a 10 y consulte el paso 11.
6. Si aparece el código de verificación de pérdidas "LC" en el panel, mantenga presionado el botón **Start (Inicio)** durante más de 3 segundos para comenzar el drenaje. Al finalizar el drenaje, desenchufe la lavavajillas y cierre la válvula del suministro de agua.
7. Revise si hay pérdida en la válvula de entrada. Si es así, vuelva a conectar el adaptador de 90° con el conducto de agua caliente, pues la conexión no es correcta.
8. Una vez contenida la fuga, apoye la lavavajillas como se muestra y seque la humedad del sensor de pérdidas de agua.



9. Enchufe la lavavajillas. Luego, abra la válvula de suministro de agua y ejecute un ciclo.
10. Si el código de información "LC" continúa apareciendo en el panel, comuníquese con un centro de servicio técnico local.
11. Finalmente, coloque la placa de protección en la parte inferior de la lavavajillas. Mientras mantiene tenso el faldón de caucho de la puerta, empuje la placa de protección desde la parte delantera del faldón hacia adentro por debajo de la puerta de la lavavajillas. Asegúrese de que los burletes de la placa de protección estén nivelados a la perfección con el piso y las paredes laterales. Luego ajuste los tornillos para fijar la placa.



⚠ PRECAUCIÓN

Asegúrese de que la placa de protección no interfiera con la apertura y cierre de la puerta de la lavavajillas.

Especificaciones

Suministro eléctrico	120 V, 15 A, 60 Hz CA
Presión de agua	20~120 psi (140 ~ 830 kPa)
Dimensiones (Ancho×Profundidad×Altura)	23 ⁷ / ₈ x 25 x 33 ⁷ / ₈ pulgadas. (605 x 636 x 860 mm)
Temperatura mínima del agua en la entrada	120 °F (49 °C)

NOTA

Las especificaciones están sujetas a cambios sin previo aviso a los efectos de las mejoras de calidad. La apariencia real de la lavavajillas puede diferir de las ilustraciones de este manual.

Notas

SAMSUNG



DD68-00208A-00